



NIPPON BEARING

NB EUROPE B.V. - Boekweitstraat 21, 2153 GK, Nieuw-Vennep, The Netherlands



NIPPON BEARING

NB linear systems are bearings that utilize the rotational motion of ball and roller elements. The dynamic friction of the ball or roller is substantially lower than that of full-face surface sliding bearings. NB linear systems achieve smooth movement and precise motion response in terms of positioning accuracy by the rolling elements and precision-ground raceway surface. The NB linear system uses relatively large rolling elements on a long raceway resulting in a high load capacity and long travel life.

Nippon Bearing Co., Ltd, as a general linear bearings manufacturer, contributes to industrial fields not only in Japan but also around the world.

- Founded in 1939 in Ojiya, Japan
- Manufacturer of linear motion products
- Family business
- More than 600 employees
- Entities all over the world
- Everything “Made in Japan”

NB EUROPE B.V.



NIPPON BEARING

NB EUROPE B.V.

Established in 2002, in the Netherlands who is the world sixth economy in terms of exports and investments, regardless of her small population of 17+ million people. In the midst of tech-advanced countries in the EU zone, the NB brand has been proved to be high quality components.

- Based in the center of Europe
- 750 m² warehouse with a large stock of all standard/regular products
- Agile and experienced team
- Multi-lingual support
- In permanent contact with Japanese HQ and other offices worldwide



NB EUROPE B.V.



Organizational Structure

NB Europe Team

- *General Manager:* Tomo Mikami (Japan)
- *Sales Manager:* Patrick Kleian (Holland)
- *Technical Manager:* Mamoru Yoshida (Japan)
- *Outside Sales:* Michael Schumacher (South Africa/Germany)
- *Outside Sales:* Alex Apostol (Romania)
- *Inside Sales:* Dorothee Hölscher (Germany)
- *Office Manager:* Ton Goemans (Holland/UK)
- *Bookkeeping:* Maria Campbell (Brazil)
- *Admin:* Trunette van den Heever (South Africa)
- *Admin/Logistics:* Siegmar Vargas (USA)
- *Logistics:* Yiannis Dimitropoulos (Greece)
- *Warehouse:* Gerald Chagianis (UK)
- *Warehouse:* Enda Kelly (Ireland)



NB EUROPE B.V.





Stock Situation

- Weekly Airfreight Japan-Holland
- Regular sea freight orders for stock items
- Total stock value is over 3,000,000€
- Basic Bushings, Ball Spline, SEBS/SGL in stock
- More complex products (e.g. SV/NV/BG) are ordered in Japan

NB EUROPE B.V.

PRODUCTS

- Slide Guides
- Ball Splines
- Slide Bushings
- TOP BALL®
- Slide Ways
- Actuators



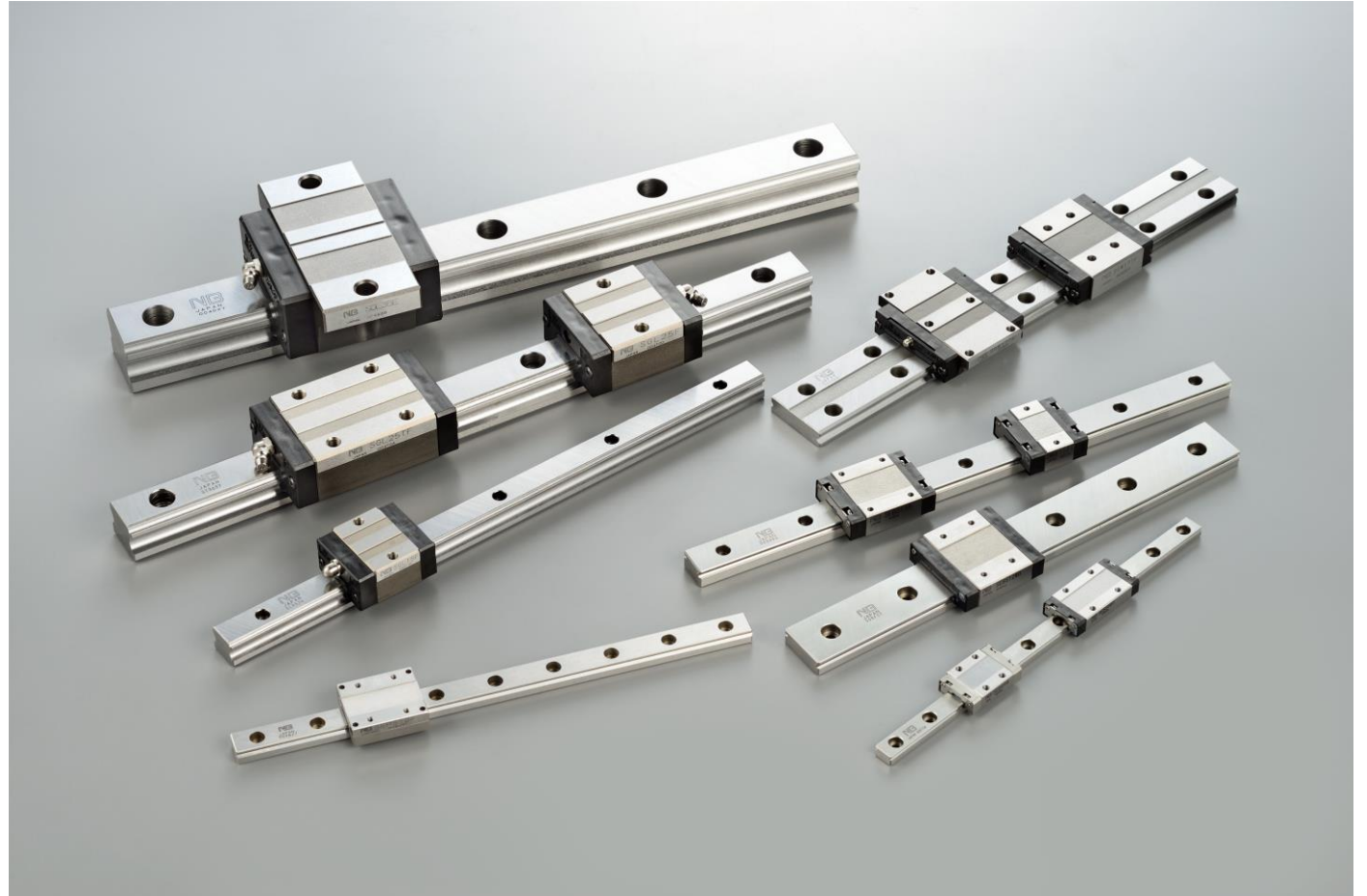
NB EUROPE B.V.



Slide Guides

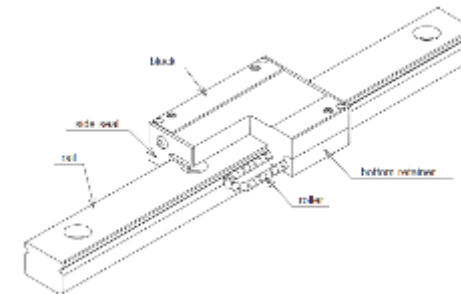
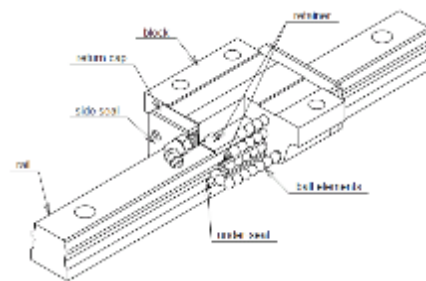
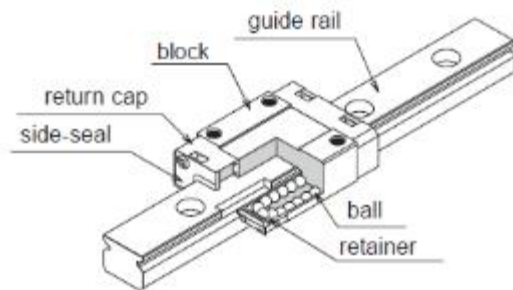
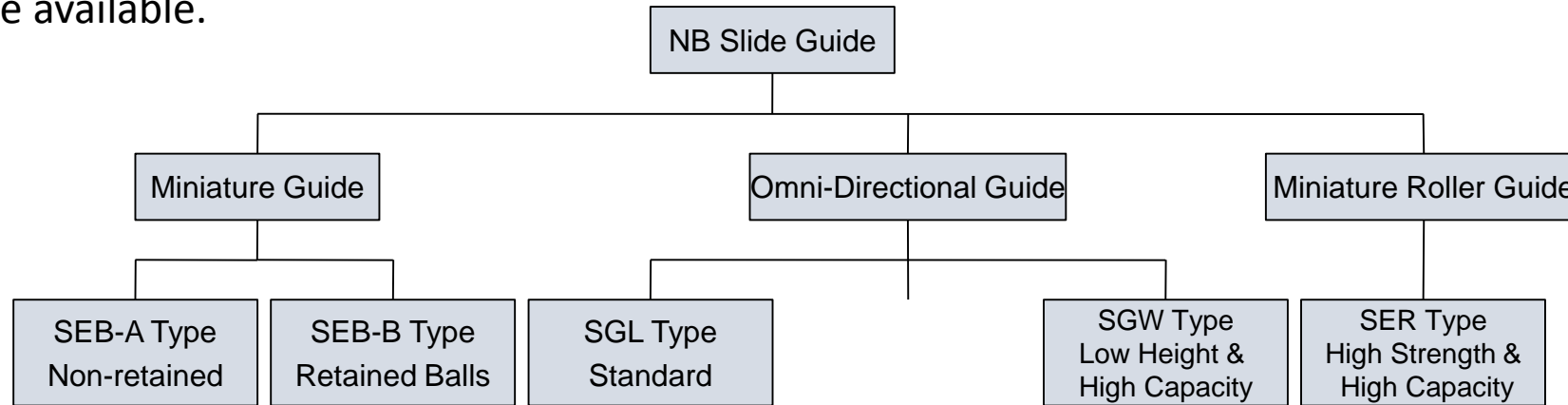
High-precision and high-rigidity linear bearings designed to utilize the motion of rolling elements.

- Our miniature guides (2 row guides) are available in stainless steel for use in medical or food applications. Standard with plastic return caps and available with stainless steel return caps for high temperatures and/or vacuum use. Sizes 2 up to 20 with short, standard and long blocks. Also in wide versions available.
- Our SGL (4 row guides) are available in size 15 to 45 with different types of blocks standard, low and with flange. All type of blocks fit the same size of rail
- Our SGW (4 row wide guides) are available in size 17, 27 and 35 with standard and flanged block
- Interchangeable to THK, IKO, NSK, but also all European brands.



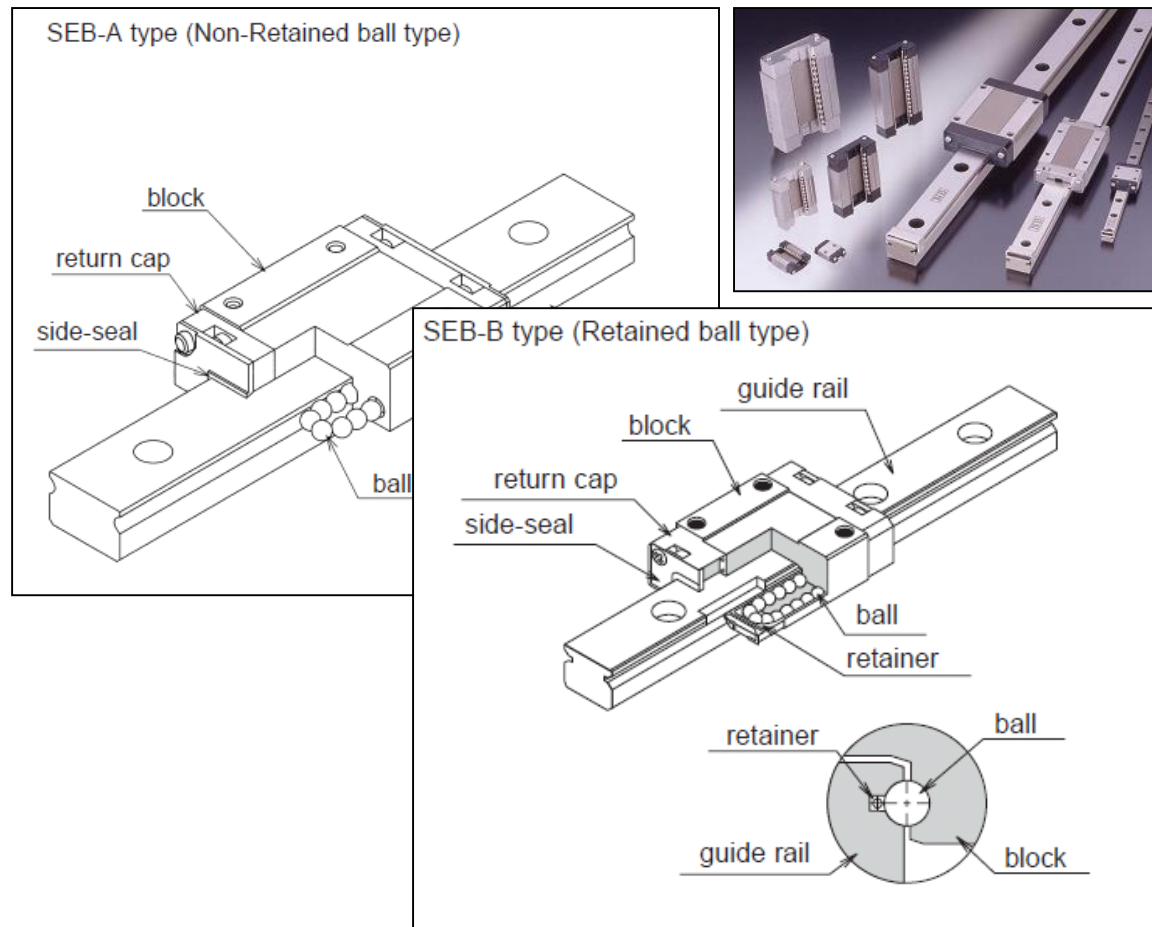
Slide Guides

- There are 5 different types of NB Slide Guide available.



Slide Guide SEB(S) Type



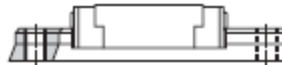













SEB(S) type Slide Guide is a linear motion bearing in which the ball elements roll along two raceway grooves. It is the smallest and lightest Slide Guide series offered.



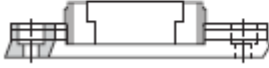

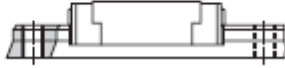









Advantages

- Ball Retained
- All Stainless Steel
- Compact Design
- Rail with Tapped Holes

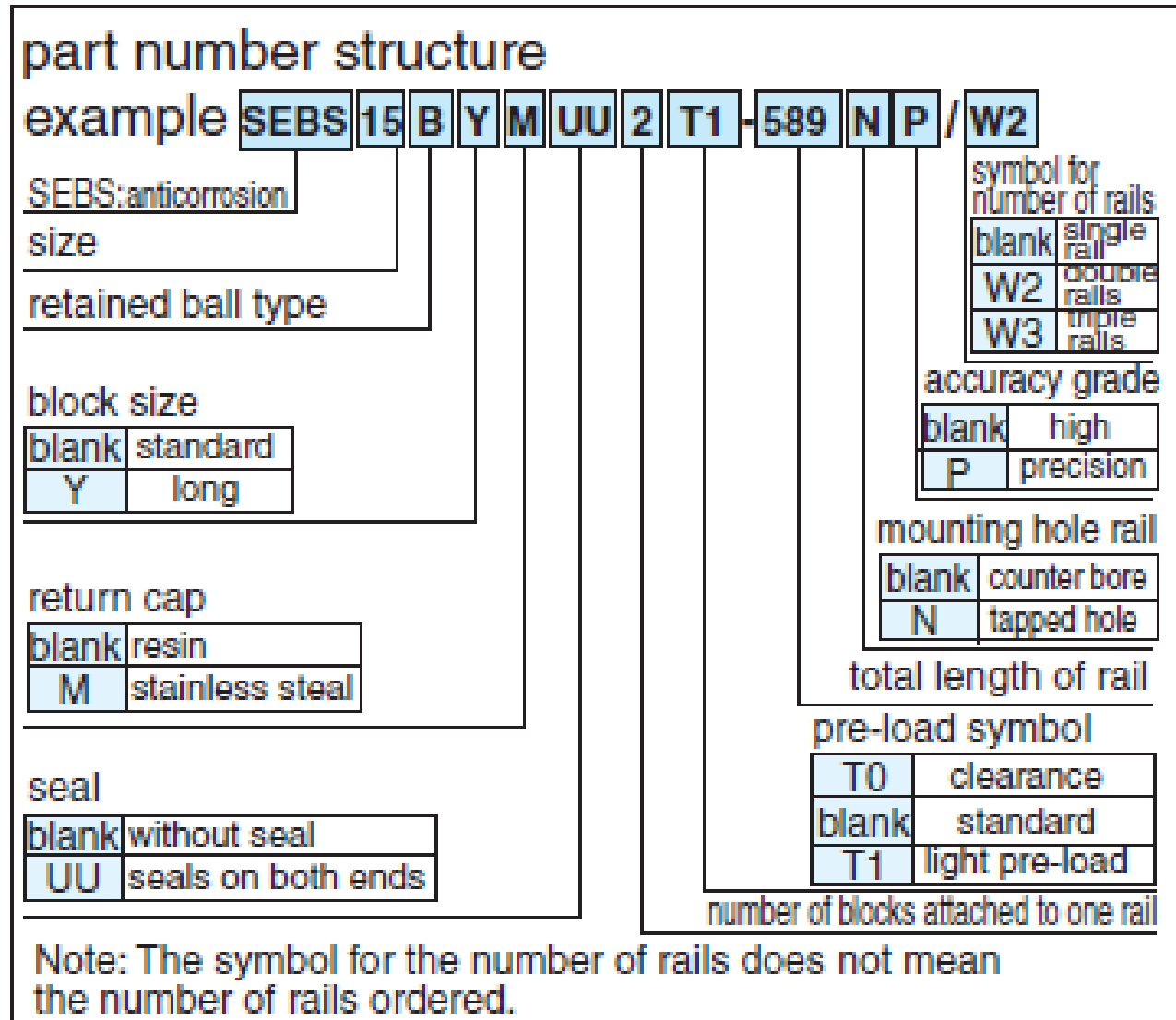
SEBS-B Type (Ball Retained)

	standard block counterbore rail type 	long block counterbore rail type 	standard block tapped hole rail type 	long block tapped hole rail type 
retained ball type All stainless steel	SEBS-B type  P.A-26	SEBS-BY type  P.A-26	SEBS-B-N type  P.A-26	SEBS-BY-N type  P.A-26
	SEBS-BM type  P.A-26	SEBS-BYM type  P.A-26	SEBS-BM-N type  P.A-26	SEBS-BYM-N type  P.A-26
	SEBS-WB type  P.A-28	SEBS-WBY type  P.A-28	SEBS-WB-N type  P.A-28	SEBS-WBY-N type  P.A-28

SEB(S)-A Type (Non-Retained)

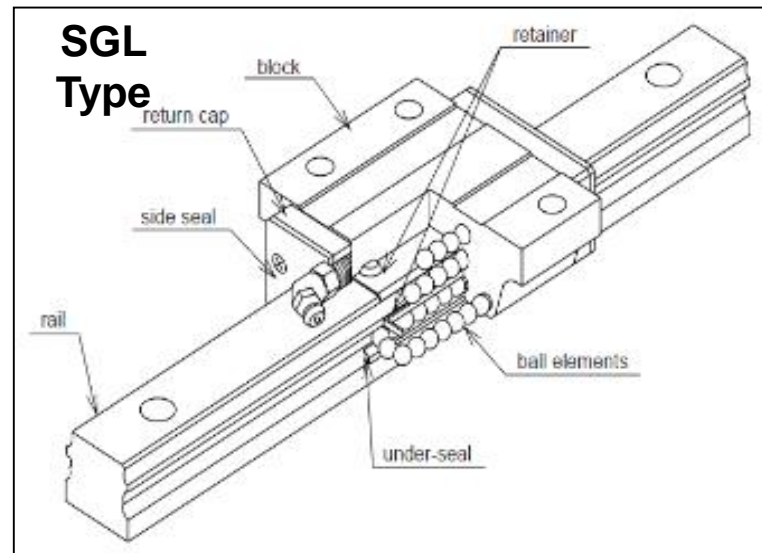
	standard block counterbore rail type 	long block counterbore rail type 	standard block tapped hole rail type 	long block tapped hole rail type 
non-retained ball type	SEB-A type  P.A-30	SEB-AY type  P.A-30	SEB-A-N type  P.A-30	SEB-AY-N type  P.A-30
Wide type	SEB-WA type  P.A-32	SEB-WAY type  P.A-32	SEB-WA-N type  P.A-32	SEB-WAY-N type  P.A-32

SEB(S) Part Number Structure



Slide Guides – SGL Type

SGL type Slide Guides employ four rows of bearing raceway grooves. Compact size with high load capacity makes suitable for any situation.

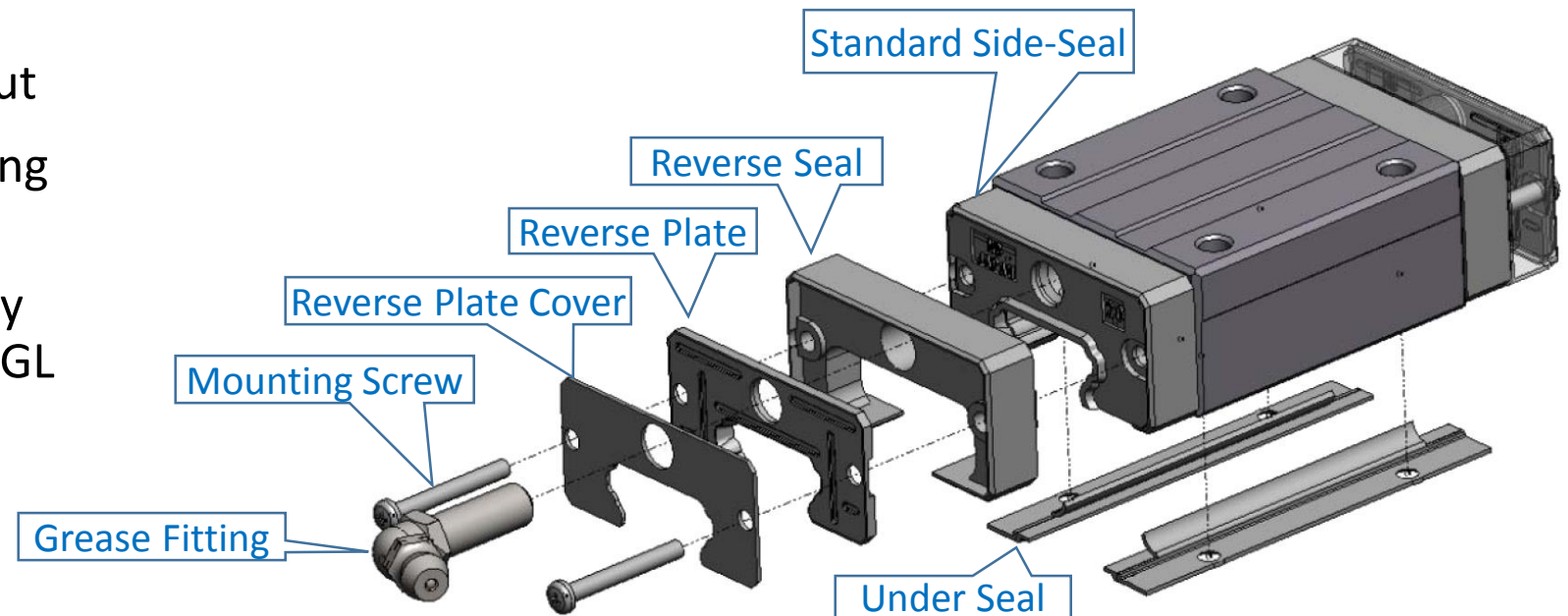
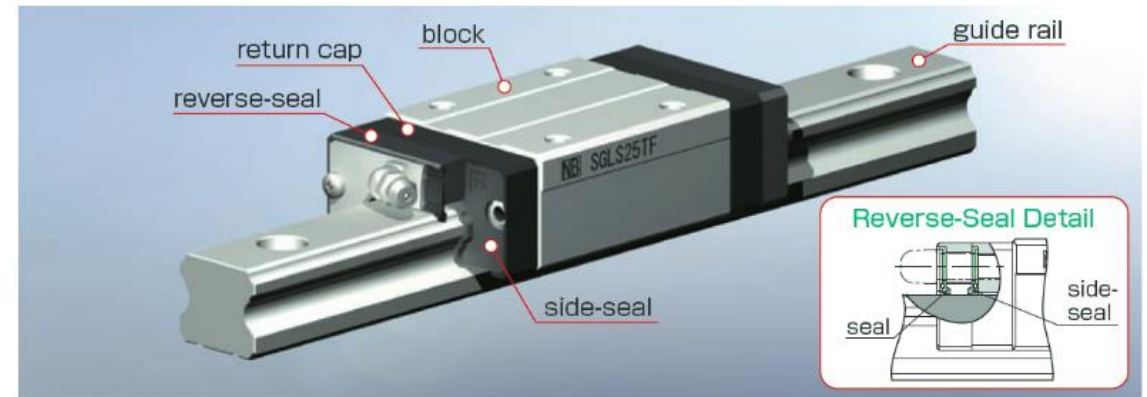


Advantages

- Omni-Directional Load Capacity
- High Load Capacity and Long Life
- Dust Prevention
- Fiber Sheet - Extended Lube Replenishment Period
- Reversed Seal Option

Slide Guides – SGL Type

- Reversed Seal for additional protection
- Keeps contamination out
- Retains Grease in for long service life
- Reverse-Seal is currently available for standard SGL type



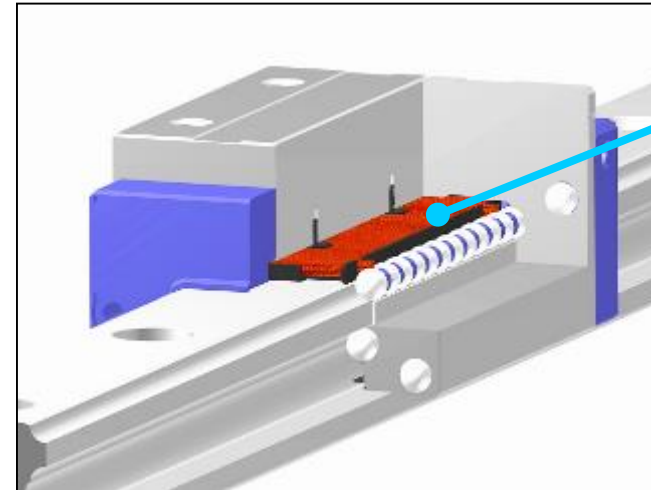
Slide Guides

- Available for SGL type and SGW type
- Greatly extend lubrication interval
- Adds excellent durability in the presence of lubricant absorbing particles such as wood shavings.
- Holds more lubrication than any other competitors'

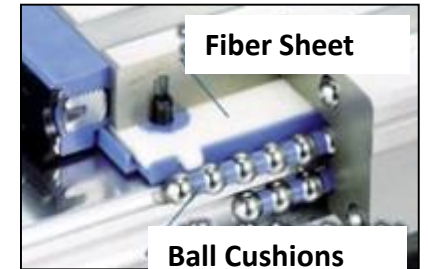
unit.

Advantages

- 1 : Simplified Lubrication
- 2 : Dimensional Compatibility
- 3 : Excellent Durability Under Harshest Condition



Fiber Sheet



Fiber Sheet

Ball Cushions

Ball Splines

A linear motion mechanism utilizing the rolling motion of ball elements that can sustain loads and transfer torque simultaneously. The Nippon Bearing ball spline consists of a spline shaft with raceway grooves and a spline nut.

- SSP type: size 4 – 100 (THK interchangeable: LT type) up to 40 in stock
- SSPF flange type: size 6 – 60 (THK interchangeable: LF type) up to 40 in stock
- SPB Rotary type: size 16/20/25 (THK interchangeable: LTR type - all sizes in stock)
- SPB-KP type: size 6 – 25 (THK interchangeable: LTR-A type)
- SPR Rotary type: size 6 – 60
- SSP AM and SSPK AM type: size 4 – 10 (IKO interchangeable)
- Also available Commercial type Ball Spline shaft – Economical priced non ground shaft. Up to 5 meter shaft





NB


NIPPON BEARING

NB EUROPE B.V.

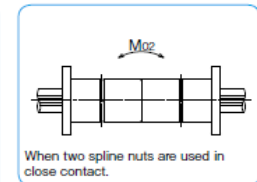
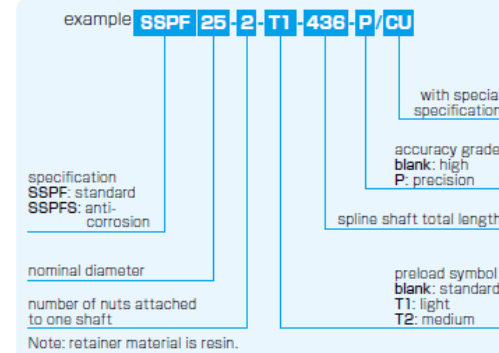

NIPPON BEARING

SSPF TYPE

— Flange Type Nut —



part number structure



example **SSPF 25 - 2 - T1 - 436 - P / CU**

specification
SSPF: standard
SSPFS: anti-corrosion

nominal diameter

number of nuts attached to one shaft

Note: retainer material is resin.

with special specification

accuracy grade
blank: high
P: precision

spline shaft total length

preload symbol
blank: standard
T1: light
T2: medium

part number		D		L		major dimensions				
standard	anti-corrosion	mm	tolerance μm	mm	tolerance mm	Df mm	H mm	P.C.D. mm	d ₁ × d ₂ × h mm	W mm
SSPF 6	SSPFS 6	14	0	25		30	5	22	3.4 × 6.5 × 3.3	7.5
SSPF 8	SSPFS 8	16	-11	25		32	5	24	3.4 × 6.5 × 3.3	7.5
SSPF 10	SSPFS 10	21	0	33	0	42	6	32	4.5 × 8 × 4.4	10.5
SSPF 13A	SSPFS 13A	24	-13	36	-0.2	43	7	33	4.5 × 8 × 4.4	11
SSPF 16A	SSPFS 16A	31		50		50	7	40	4.5 × 8 × 4.4	18
SSPF 20A	SSPFS 20A	35	0	63		58	9	45	5.5 × 9.5 × 5.4	22.5
SSPF 25A	SSPFS 25A	42	-16	71		65	9	52	5.5 × 9.5 × 5.4	26.5
SSPF 30A	—	47		80	0	75	10	60	6.6 × 11 × 6.5	30
SSPF 40A	—	64	0	100	-0.3	100	14	82	9 × 14 × 8.6	36
SSPF 50A	—	80	-19	125		124	16	102	11 × 17.5 × 11	46.5
SSPF 60A	—	90	0/-22	140		129	18	107	11 × 17.5 × 11	52
SSPF 20	SSPFS 20	32	0	60	0/-0.2	51	7	40	4.5 × 8 × 4.4	23
SSPF 25	SSPFS 25	37	-16	70		60	9	47	5.5 × 9.5 × 5.4	26
SSPF 30	—	45		80	0	70	10	54	6.6 × 11 × 6.5	30
SSPF 40	—	60	0	100	-0.3	90	14	72	9 × 14 × 8.6	36
SSPF 50	—	75	-19	112		113	16	91	11 × 17.5 × 11	40
SSPF 60	—	90	0/-22	127		129	18	107	11 × 17.5 × 11	45.5

Ball Splines

Cylindrical Type	SSP (Size 4~100) 	SSPM (Size 6~10) 	SSP-AM (Size 4~10) 
Flange Type	SSPF (Size 6~60) 	SSPT (Size 6~10) 	SSPT-AM SSPK-AM 
Rotary Type	SPR (Size 6~60) 	SPB (Size 16~25) 	SPB-KP 

Ground Spline Shaft

- Precision-ground, precision machined surface finish
- High precision
- Shaft-end machining, surface treatment available
- Nominal diameter: 4 ~ 100



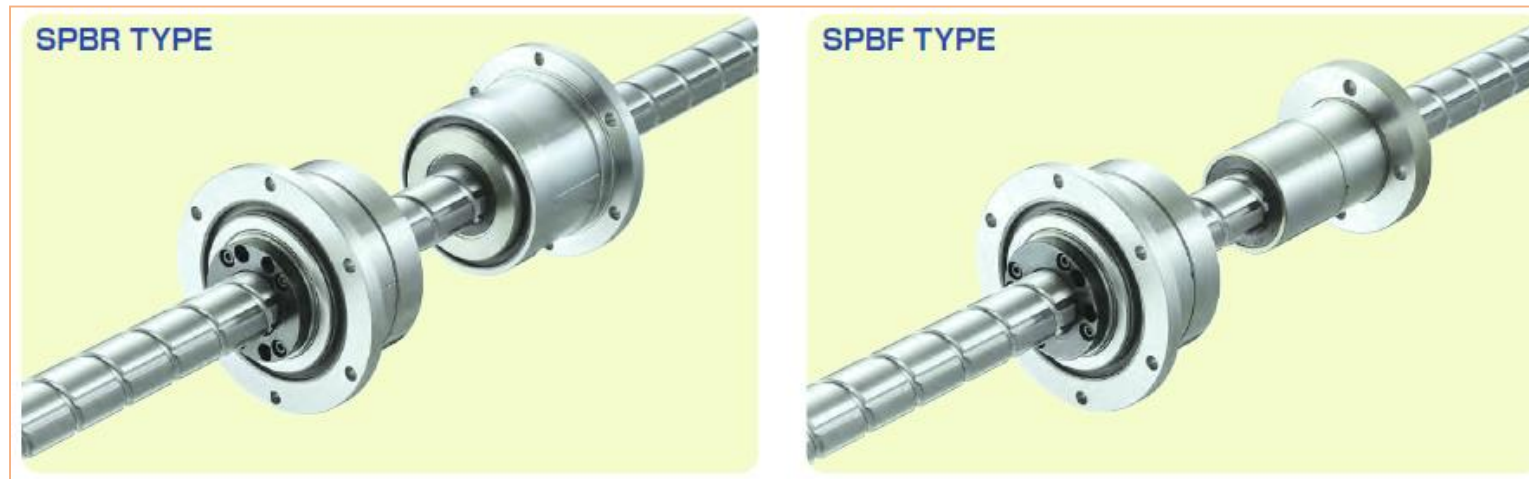
Commercial Spline Shaft (Non-ground)

- For middle and heavy industries
- Low costing
- Shaft-end machining available
- Nominal diameter: 20 ~ 50
- Also A size available
- Maximum length: 5000mm



Ball Screw Spline

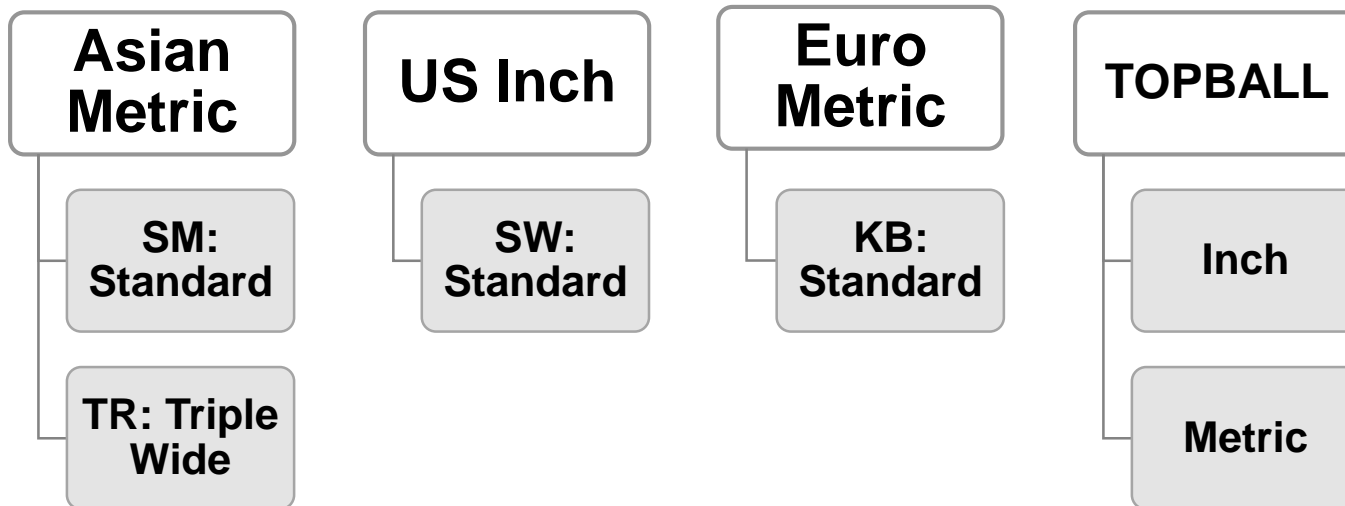
- Combines ball screw and ball spline in a single shaft.
- Allows linear and rotational movements
- Available in sizes 16, 20, & 25 mm (THK: BNS)



Slide Bushings

Linear motion mechanism utilizing the rotational motion of ball elements. The outer cylinder of slide bushes contains a ball retainer to control the circulation of ball elements.

- Provides cost effective linear motion
- Available in European Metric, Asian Metric and Inch
- Available in complete steel, steel with plastic cage, complete stainless steel, stainless steel with plastic cage
- Available from **Size 3 – 150** and most common sizes are in stock in Holland
- Deepest and widest assortment
- Special side seals available for: harsh environment and high temperatures

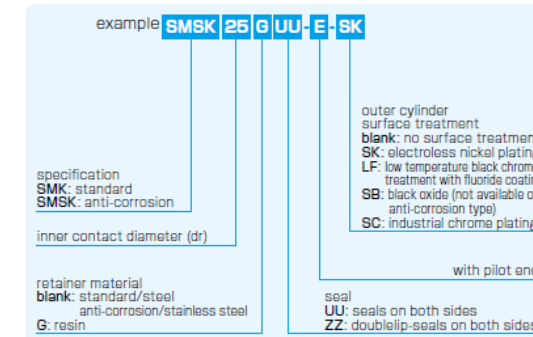


SMK-E TYPE

– Square Flange Type with Pilot End –



part number structure



Doublelip-seal is available for size 6 to 30.

standard		part number*		number of ball circuits	dr mm	dr tolerance μm	major dimensions		
steel retainer	resin retainer	anti-corrosion stainless retainer	resin retainer				D mm	D tolerance μm	L mm
SMK 6UU-E	SMK 6GUU-E	SMSK 6UU-E	SMSK 6GUU-E	4	6	0	12	0	19
SMK 8UU-E	SMK 8GUU-E	SMSK 8UU-E	SMSK 8GUU-E	4	8	0	15	-13	24
SMK10UU-E	SMK10GUU-E	SMSK10UU-E	SMSK10GUU-E	4	10	0	19		29
SMK12UU-E	SMK12GUU-E	SMSK12UU-E	SMSK12GUU-E	4	12	-9	21	0	30
SMK13UU-E	SMK13GUU-E	SMSK13UU-E	SMSK13GUU-E	4	13		23	-16	32
SMK16UU-E	SMK16GUU-E	SMSK16UU-E	SMSK16GUU-E	4	16		28		37
SMK20UU-E	SMK20GUU-E	SMSK20UU-E	SMSK20GUU-E	5	20	0	32	0	42
SMK25UU-E	SMK25GUU-E	SMSK25UU-E	SMSK25GUU-E	6	25	-10	40	-19	59
SMK30UU-E	SMK30GUU-E	SMSK30UU-E	SMSK30GUU-E	6	30		45		64
SMK35UU-E	SMK35GUU-E	—	—	6	35	0	52	0	70
SMK40UU-E	SMK40GUU-E	—	—	6	40	-12	60	-22	80
SMK50UU-E	SMK50GUU-E	—	—	6	50		80		100
SMK60UU-E	SMK60GUU-E	—	—	6	60	0/-15	90	0/-25	110

* Seals-on-both-sides is standard.

example SMSK 25 G UU-E-SK

specification
SMK: standard
SMSK: anti-corrosion

inner contact diameter (dr)

retainer material
blank: standard/steel
anti-corrosion/stainless steel
G: resin

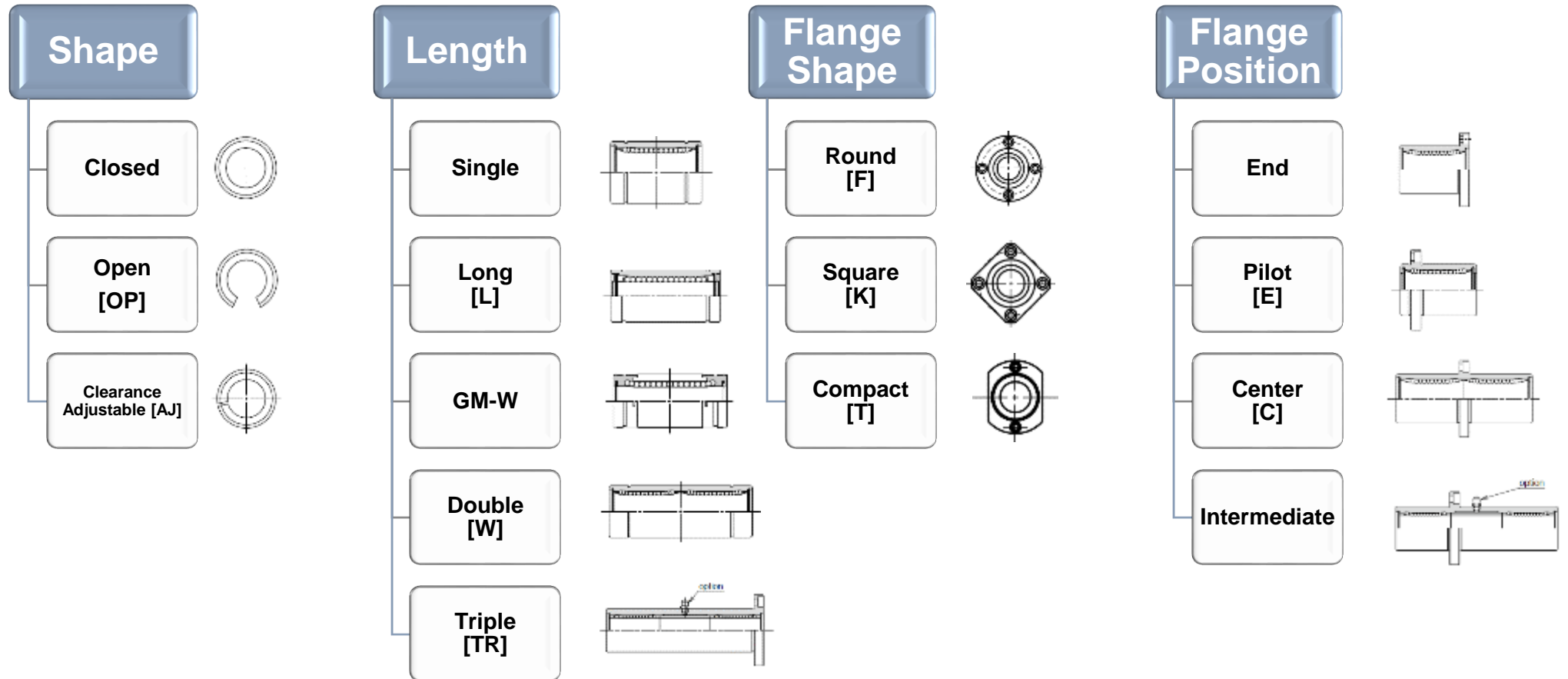
outer cylinder surface treatment
blank: no surface treatment
SK: electroless nickel plating
LF: low temperature black chrome treatment with fluoride coating
SB: black oxide (not available on anti-corrosion type)
SC: industrial chrome plating

with pilot end

seal
UU: seals on both sides
ZZ: doublelip-seals on both sides

Doublelip-seal is available for size 6 to 30.

Slide Bushings



TOP BALL®

TOPBALL® is a registered trademark for a slide bush that is uniquely designed and fitted with load plates that provide circular arch contact to the ball element resulting in a greater dispersion of the load, enabling to provide up to three times the load capacity of conventional slide bushings.

- Self-alignment capability
- Also available “straight” type (-ST)
- Ready to use unit types
- Up to 3 times the load capacity
- Up to 27 times the bearing life
- Available in both metric and inch
- Available Size 8 - 50
- Robust and high speed capable
- Interchangeable and similar priced to conventional NB type of bushings



Flange TOP BALL: TMF



Slide Ways

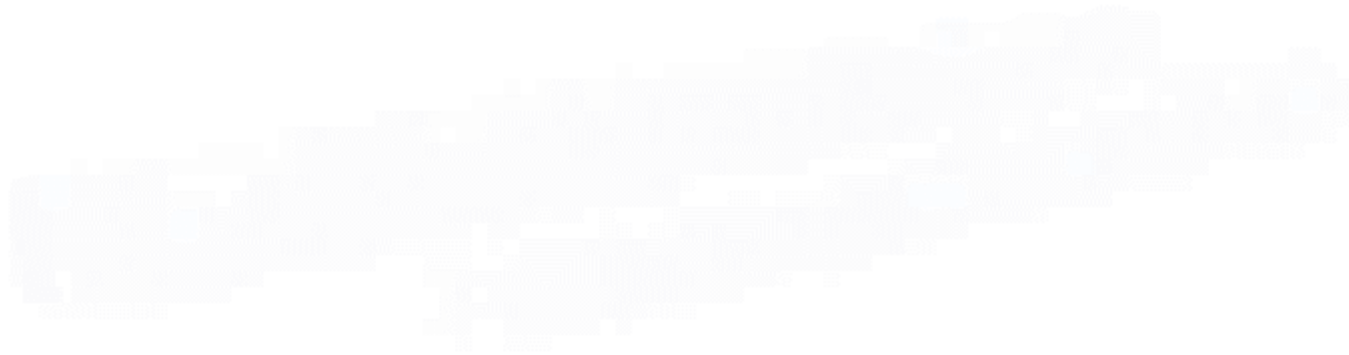
Slide ways are non-recirculating linear motion bearings utilizing precision rollers. The unique stud roller system is based on a new concept to provide complete prevention of roller cage slippage (anti-creeping).



Size 1 - 12

Also available in stainless steel



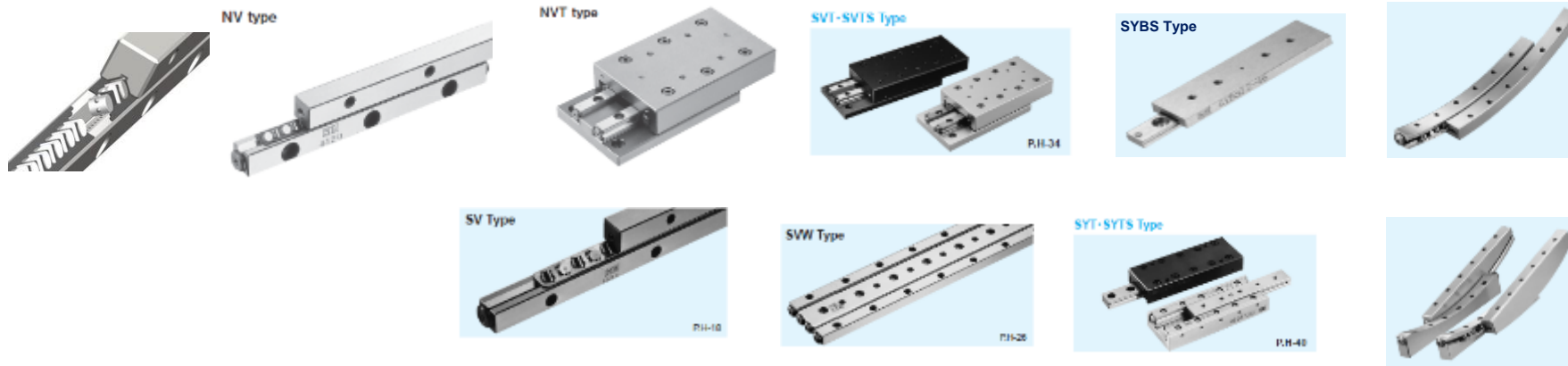
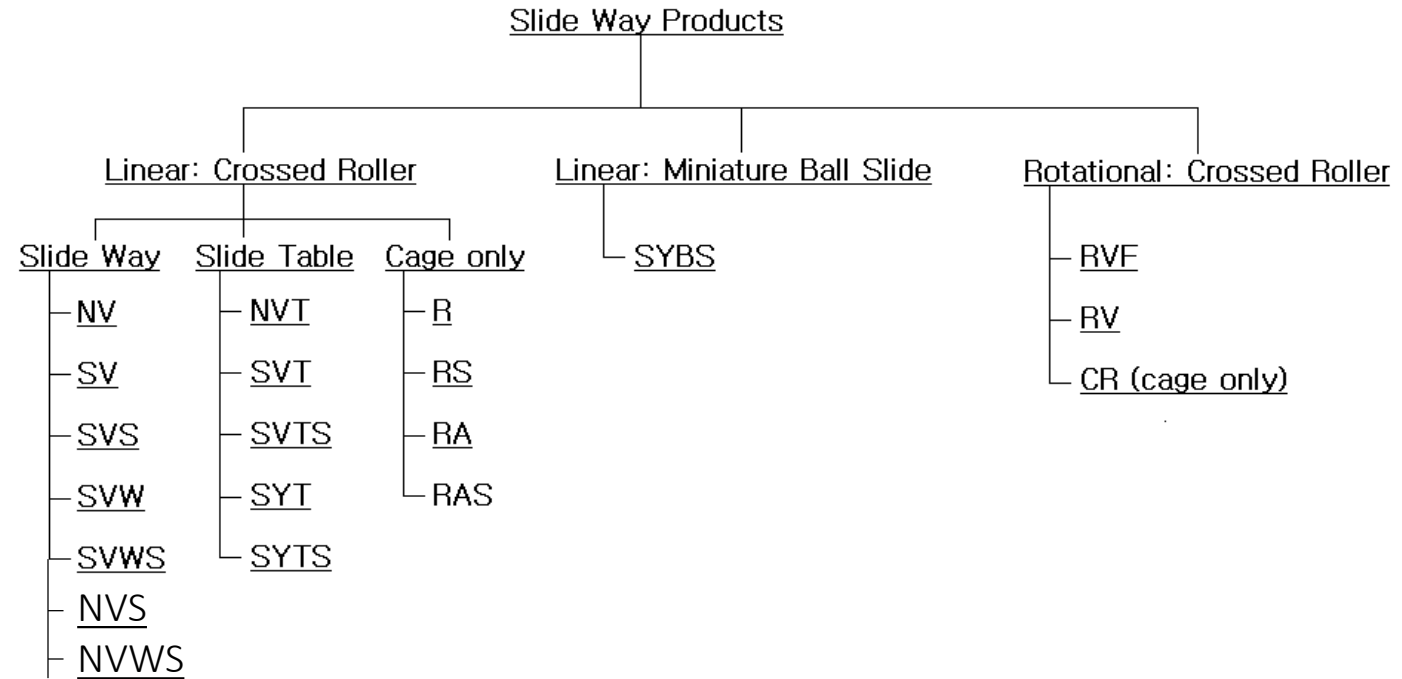


NB EUROPE B.V.



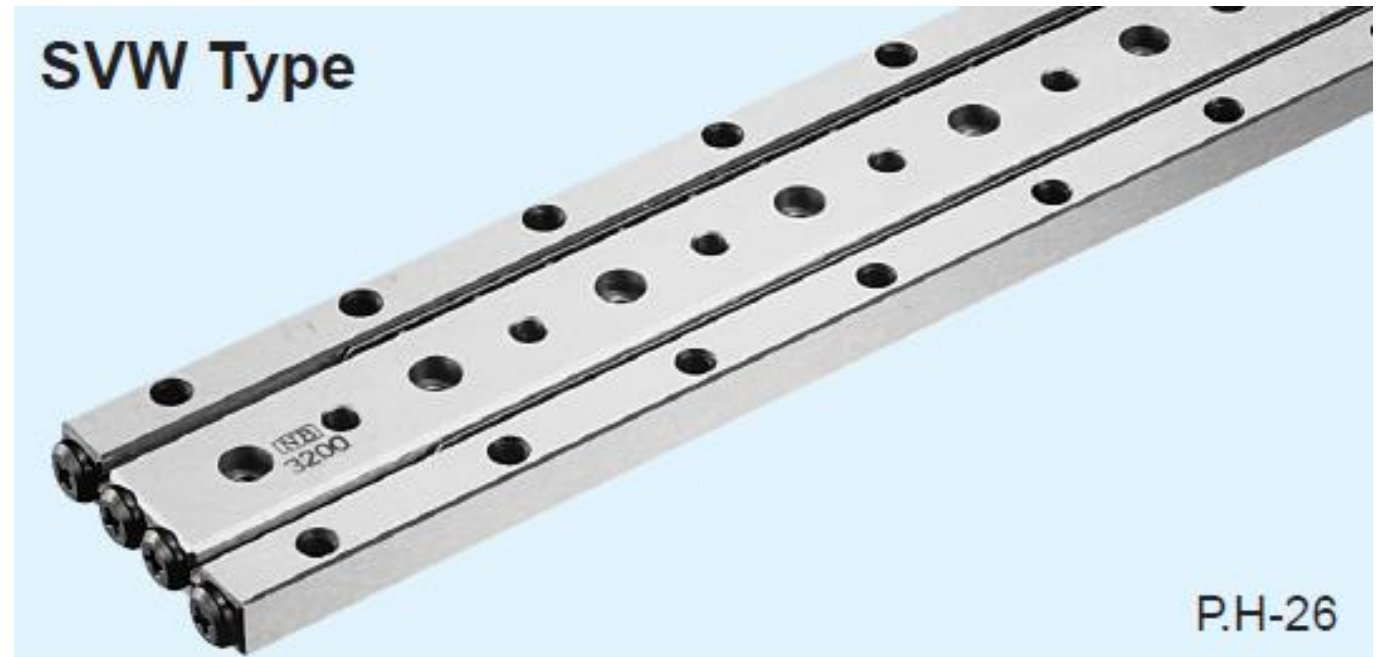
NIPPON BEARING

Slide Ways



SVW / SVWS Type NVW / NVWS Type

- Three rail construction for a compact design
- SVW (carbon steel), SVWS (stainless steel)
- SVW/SVWS consists of 2 roller cages, 3 rails, and 8 end-pieces. (NV: 1 studroller)

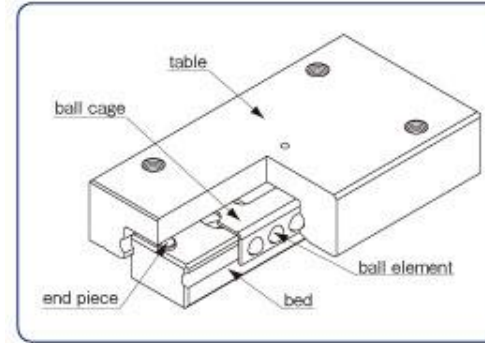


SYBS Type

SYBS are limited stroke slides and the most compact with two raceway grooves. Although these linear bearings have steel balls as rolling elements, ultra compact designs are realized and thus contribute to the miniaturization and weight reduction for the industrial machines and devices.

part number	major dimensions				table-top dimensions					bed-surface dimensions					basic load rating		allowable static moment	mass										
	H	W	H ₁	stroke	B	L	P ₁	P ₂	B ₁	S ₁	H ₂	C	d	X	G	x		S ₂	P ₃	n	P ₄	dynamic	static	F	M _P	M _Y	M _R	g
	mm	mm	mm	mm	mm	mm	mm	mm	mm	mm	mm	mm	mm	mm	mm	mm	mm	mm	mm	mm	N	N	N	N·m	N·m	N·m		
SYBS 6-13	3.2	2	0.7	5	6	13	6.0	—	—	M14	0.5	2.0	2	—	M1	7	1	—	154	180	60.1	0.21	0.25	0.21	1.4	6-13		
SYBS 6-21				12		21	10.0	—	—							7	2	—	229	315	105	0.57	0.69	0.37	2.2	6-21		
SYBS 8-11	4	2.5	1	4	8	11	5.5	—	—	M2	0.7	2.6	3	—	M1.5	5	1	—	201	211	70.4	0.23	0.28	0.35	2.0	8-11		
SYBS 8-21				12		21	10.0	—	—							10	1	—	368	493	164	1.02	1.22	0.83	3.7	8-21		
SYBS 8-31				18		31	10.0	21	—							10	2	—	473	704	234	1.97	2.35	1.19	5.5	8-31		
SYBS 12-23	4.5	3	1	12	12	23	8.0	—	—	M2	1.2	2.6	6	24x4x1.5	—	15	—	—	404	563	187	1.30	1.55	1.80	7.6	12-23		
SYBS 12-31				18		31	15.0	—	—							15	—	—	473	704	234	1.97	2.35	2.25	10.2	12-31		
SYBS 12-46				28		46	15.0	31	—							20	—	30	658	1120	375	4.80	5.72	3.60	15.2	12-46		
SYBS 17-23	8	5	1.5	14	17	23	10.0	—	—	M2	3	4.7	7	24x4.2x2.3	—	15	—	—	775	888	296	2.09	2.49	3.33	19.2	17-23		
SYBS 17-31				19		31	20.0	—	12							15	—	—	983	1240	414	3.80	4.53	4.66	26.2	17-31		
SYBS 17-46				29		46	30.0	—	—							20	—	30	1350	1950	651	8.75	10.4	7.32	38.4	17-46		

Mounting groove for the ball cage specified for SYBS10. Mounting groove for the other sizes are available upon request. 151601102041 151601102041



ULTRA COMPACT DESIGN

The sizes are smaller compared to the conventional Slide Table that further miniaturization is possible for your design. (Table's Height: 3.2 to 8.0 mm, Table's Width: 6 to 17 mm)

LOW FRICTION · LOW NOISE

Since the balls are not recirculating, there're less fluctuations in frictional resistance and thus highly precise and smooth motion is attained. Additionally, the balls are held by the cage that there is no ball contact noise arising.

HIGH PRECISION

The two raceway grooves on the table are ground simultaneously, so as those on the bed are. Thus, there are less machining errors resulting in precise and smooth linear motion.

ALL STAINLESS STEEL

All the components are comprised of stainless steel hence resist well against corrosion and heat, and well suited for vacuum and clean room environment.

Gonio Way – RV(F) Type

The Gonio Way is a low-friction, non-recirculating curved motion bearing utilizing precisely ground V-grooves and precision rollers. The RVF type is ideal for changing the gradient or for obtaining an accurate gradient angle without changing the center of rotation. The Gonio Way is used in optical equipment and measuring devices where high precision is required.

Customizing is possible (e.g. studroller)



- Flat installation-surface
- Same rotation center
- Suitable for minute motion
- Low frictional resistance
- Low noise



NB EUROPE B.V.



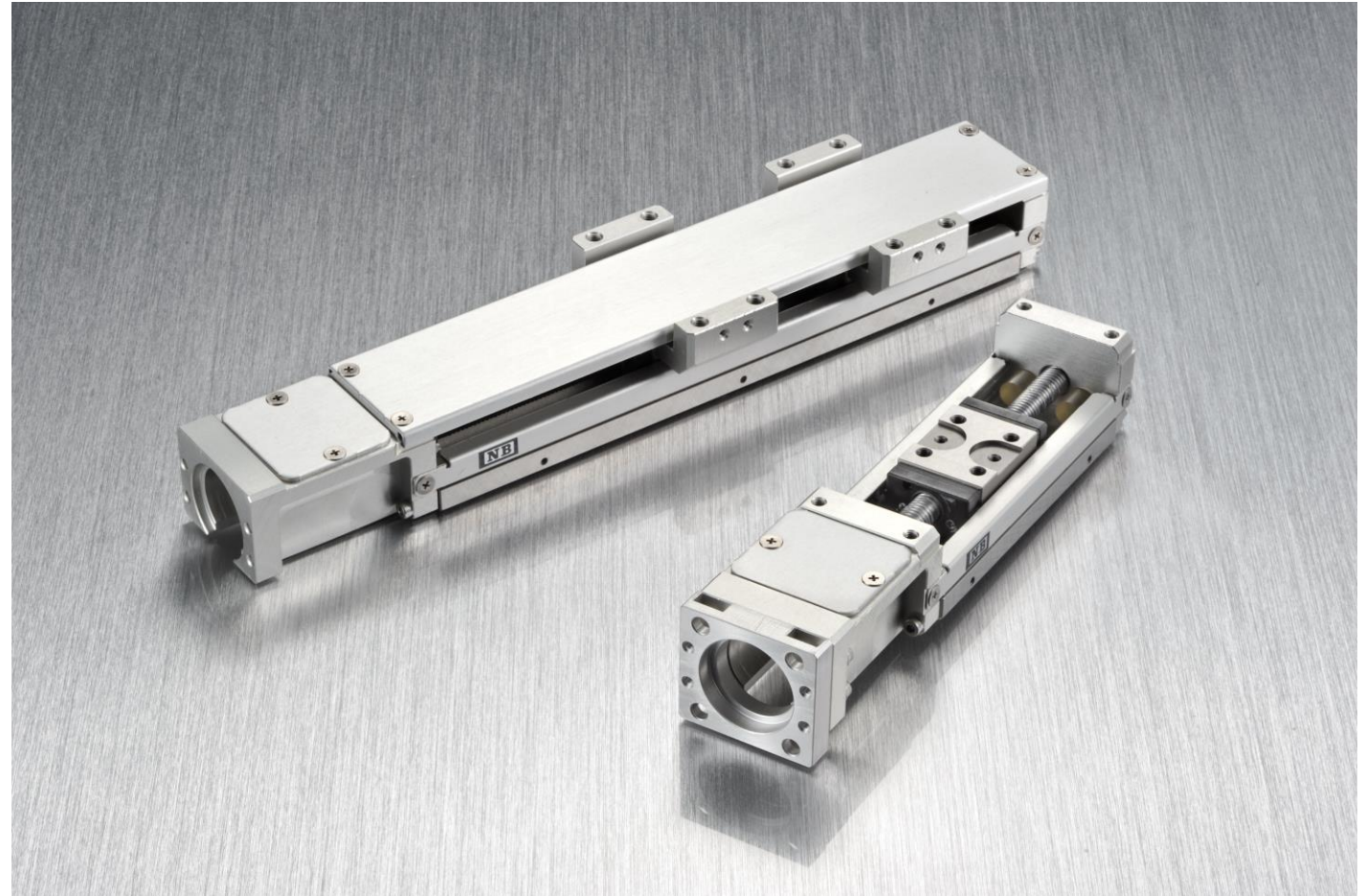
Actuators

Single axis actuators integrate a slide guide and a precision ball screw.

Features

- High Rigidity
- High Accuracy
- Compact Footprint
- No Complicated Adjustment
- Sizes 15 – 55
- Fast delivery up to 10 pieces
- Interchangeable with THK: KR and SKR

+ NEW clean-room BG/BH



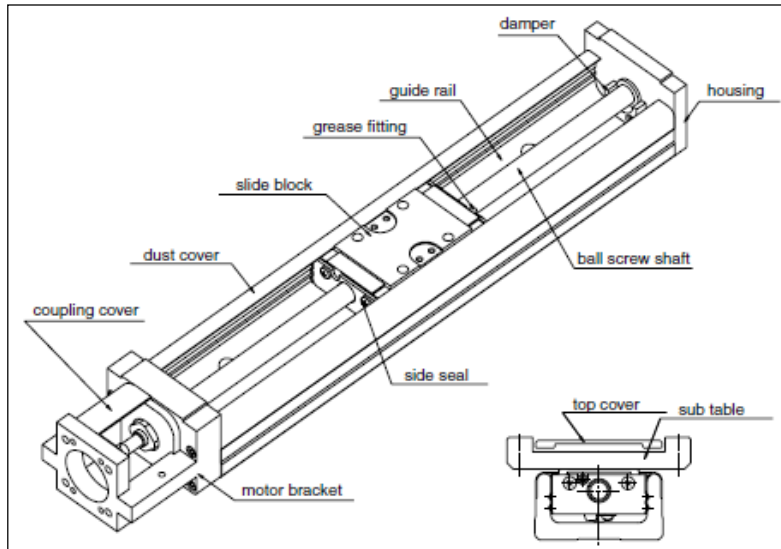
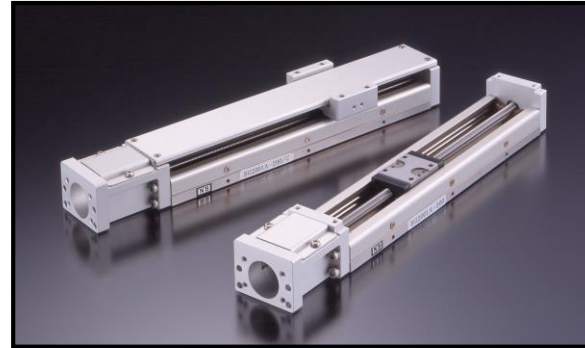


NB EUROPE B.V.



Actuators

The BG is the most precise compact actuator in its class. Integrated assembly is compact, yet high load capacity.



Sizes 15 thru 55, with one or two, short or long block. Precision version is available.

Features

- High Rigidity
- High Accuracy
- Compact Footprint
- No Complicated Adjustment



NB EUROPE B.V.

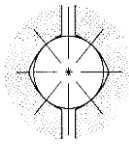
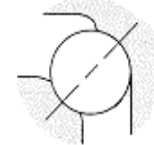
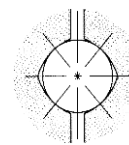
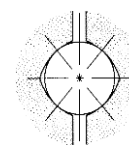
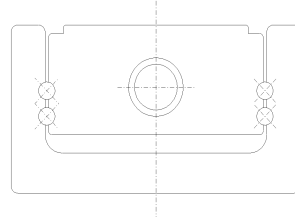
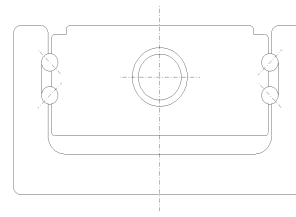
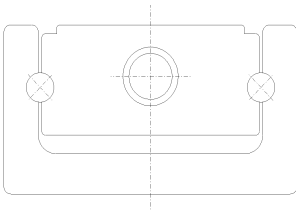
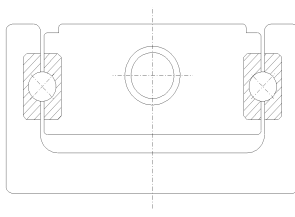


Actuator Comparison

Guide Contact Structure 1

There are differences in ball contact methods and structures

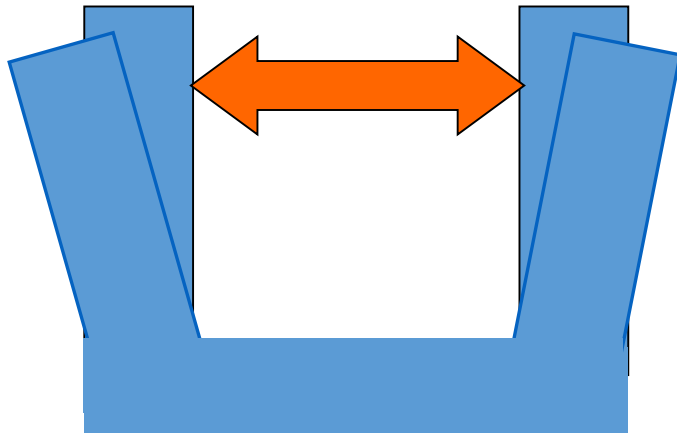
Guide Contact Comparison Chart

Manufacture	NB	THK	NSK	IAI
Products	BG46	KR46	MCH09	ISA-SXM-*-60-8
Contact Type	Gothic Arc	Circular Arc	Gothic Arc	Gothic Arc
				
Cross Section				
Number of Circuit	4	4	2	2

Actuator Comparison

Guide Contact Structure 2

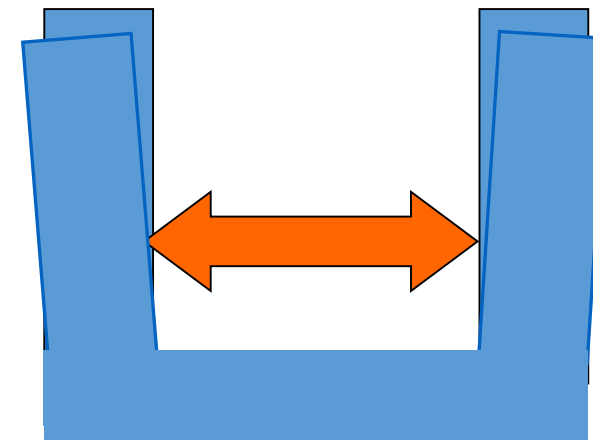
Placement of ball circuits and their effect on structural rigidity



THK-KR

More distance between ball circuits and bottom of rail, less structural rigidity.

More deformation under high loads.



NB-BG

Shorter distance between ball circuits and bottom of rail result in more rigidity.

4 circuits of gothic arc support load with all 4 raceways at all time.

Actuator Comparison

Catalog Accuracy (High Grade)

Accuracy Values Comparison on High Grade Actuators

Catalog Accuracy Values:High Grade

Manufactures	NB	THK	NSK	IAI
Product Name	BG46	KR46	MCH09	ISA-SXM-*-60-8
Positioning Repeatability	$\pm 3[\mu m]$	$\pm 5[\mu m]$	$\pm 10[\mu m]$	$\pm 20[\mu m]$
Positioning Accuracy ~340mm	$35[\mu m]$	$100[\mu m]$	-	-
~440mm	↓	↓	-	-
~540mm	$40[\mu m]$	↓	-	-
~640mm	↓	↓	-	-
~740mm	$50[\mu m]$	$120[\mu m]$	-	-
~840mm	$80[\mu m]$	$150[\mu m]$	-	-
~940mm	↓	↓	-	-
~1040mm	↓	-	-	-
~1140mm	$100[\mu m]$	-	-	-
~1240mm	↓	-	-	-
Running Parallelism B ~340mm	$35[\mu m]$	$35[\mu m]$	$14[\mu m]$	$50[\mu m]$ or less /m
~440mm	↓	↓	$16[\mu m]$	↓
~540mm	↓	↓	↓	↓
~640mm	↓	↓	$20[\mu m]$	↓
~740mm	$40[\mu m]$	$40[\mu m]$	↓	↓
~840mm	$50[\mu m]$	$50[\mu m]$	$23[\mu m]$	↓
~940mm	↓	↓	↓	↓
~1040mm	↓	-	↓	↓
~1140mm	↓	-	↓	↓
~1240mm	↓	-	$30[\mu m]$	↓
Backlash	$5[\mu m]$	$20[\mu m]$	$20[\mu m]$	$50[\mu m]$ or less
Starting Torque	$0.10[N\cdot m]$	$0.10[N\cdot m]$	-	-



Actuator Comparison

Catalog Accuracy (Precision Grade)

Accuracy Values Comparison on Precision Grade Actuators

Catalog Accuracy Values :Precision Grade

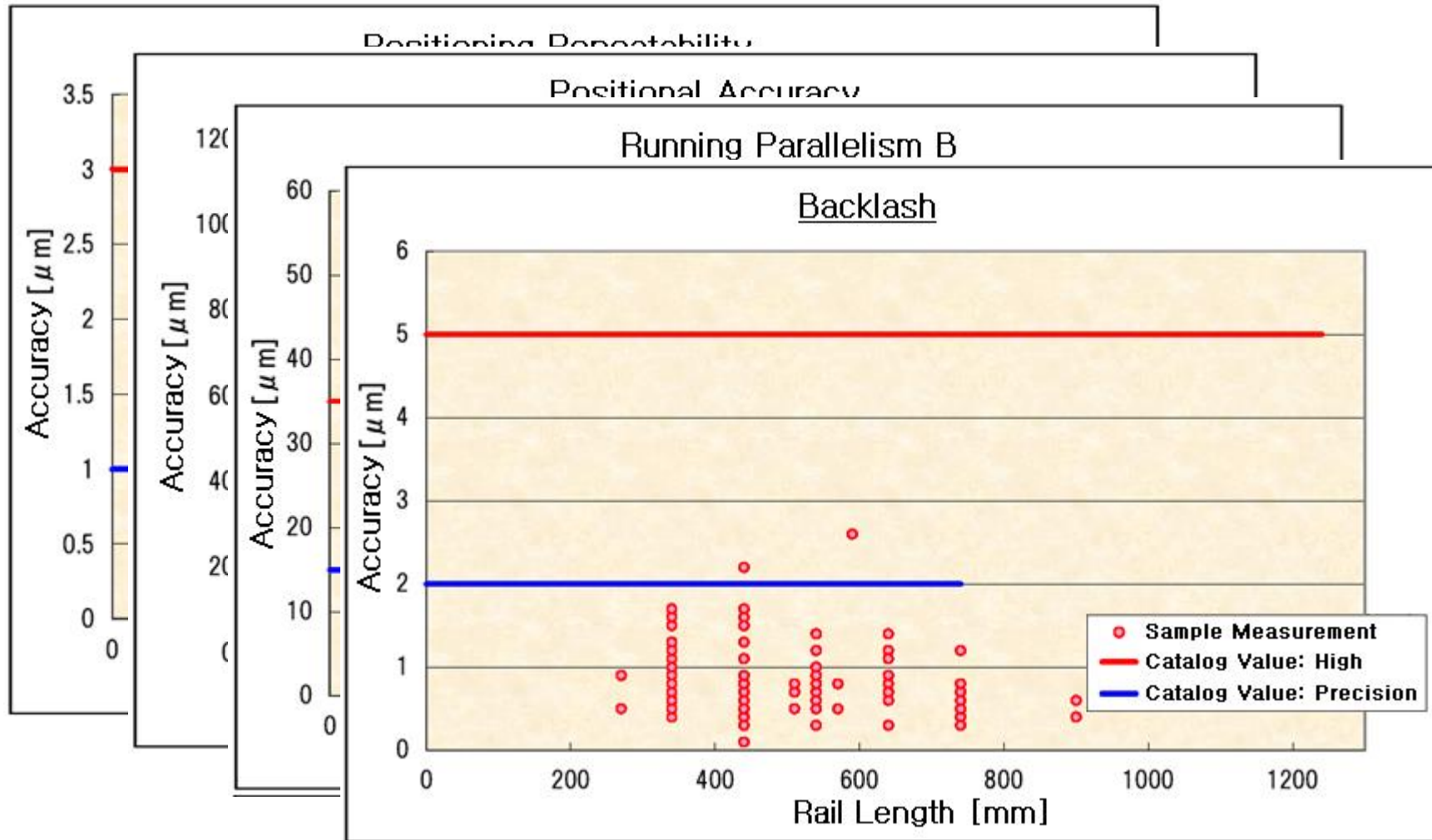
Manufactures	NB	THK	NSK	IAI
Product Name	BG46	KR46	MCH09	ISA-SXM-*-60-8
Positioning Repeatability	±1[μm](~740mm)	±3[μm](~740mm)	±3[μm]	±10[μm]
Positioning Accuracy ~340mm	20[μm]	25[μm]	20[μm]	-
~440mm	↓	↓	25[μm]	-
~540mm	25[μm]	↓	↓	-
~640mm	↓	↓	30[μm]	-
~740mm	30[μm]	30[μm]	↓	-
~840mm	-	-	↓	-
~940mm	-	-	35[μm]	-
~1040mm	-	-	↓	-
~1140mm	-	-	↓	-
~1240mm	-	-	40[μm]	-
Running Parallelism B~340mm	15[μm]	15[μm]	8[μm]	50[μm]以下/m
~440mm	↓	↓	10[μm]	↓
~540mm	↓	↓	↓	↓
~640mm	↓	↓	12[μm]	↓
~740mm	20[μm]	20[μm]	↓	↓
~840mm	-	-	15[μm]	↓
~940mm	-	-	↓	↓
~1040mm	-	-	↓	↓
~1140mm	-	-	↓	↓
~1240mm	-	-	20[μm]	↓
Backlash	2[μm](~740mm)	3[μm](~740mm)	3[μm]	20[μm]or less
Starting Torque	0.15[Nm](~540mm) 0.17[Nm](~740mm)	0.15[Nm](~540mm) 0.17[Nm](~740mm)	-	-



Actuator Comparison

BG Accuracy Catalog vs. Actual

BG46's Accuracy from Catalog vs. Measured Actual Performance (Sample:120)



Samples are not distinguished between High and Precision Grade

NB Europe BV - In short:

- High quality Products
- Fast reply, handling and delivery from: stock in Holland or Japan if special or not in stock in Holland
- Reliable delivery dates. We deliver in the confirmed week
- Large Anti-Corrosion program for all product groups (clean room / food industry, vacuum).
- Always better (loads and precision) than we mention in our catalogue



NB Europe – Bush interchange

BRAND	PartNumber	ID_mm	INCH_size	ID_INCH	OD_mm	OD_INCH	L_mm	L_INCH	Category	Type	LengthType	Flange	P_Flange	O_Cylinder	Retainer	Ball	LoadPlate	SelfAligning	Seal	
		8	N/A	N/A	16	N/A	25	N/A	EURO Metric	Standard	Single	N/A	N/A	Steel	Plastic	Steel	N/A	N/A	Two seals	
<input type="button" value="SEARCH"/> <input type="button" value="CLEAR"/>																				
BRAND	PartNumber	ID_mm	INCH_size	ID_INCH	OD_mm	OD_INCH	L_mm	L_INCH	Category	Type	LengthType	Flange	P_Flange	O_Cylinder	Retainer	Ball	LoadPlate	SelfAligning	Seal	SurfaceTreatment
NB	KB 8GUU	8	N/A	N/A	16	N/A	25	N/A	EURO Metric	Standard	Single	N/A	N/A	Steel	Plastic	Steel	N/A	N/A	Two seals	N/A
NB	KB 8GUU-SK	8	N/A	N/A	16	N/A	25	N/A	EURO Metric	Standard	Single	N/A	N/A	Steel	Plastic	Steel	N/A	N/A	Two seals	Electroless nickel plating (EN) on outer cylinder and ball only, with standard other parts
NB	KB 8GUU-SC	8	N/A	N/A	16	N/A	25	N/A	EURO Metric	Standard	Single	N/A	N/A	Steel	Plastic	Steel	N/A	N/A	Two seals	Industrial chrome plating (SC) on outer cylinder only, with standard other parts
NB	KB 8GUU-SB	8	N/A	N/A	16	N/A	25	N/A	EURO Metric	Standard	Single	N/A	N/A	Steel	Plastic	Steel	N/A	N/A	Two seals	Black oxide (SB) on outer cylinder only, with standard other parts
OZAK	LE 8-UU	8	N/A	N/A	16	N/A	25	N/A	EURO Metric	Standard	Single	N/A	N/A	Steel	Plastic	Steel	N/A	N/A	Two seals	N/A
THK	LME 8UU	8	N/A	N/A	16	N/A	25	N/A	EURO Metric	Standard	Single	N/A	N/A	Steel	Plastic	Steel	N/A	N/A	Two seals	N/A
IKO	LBE 8 UU	8	N/A	N/A	16	N/A	25	N/A	EURO Metric	Standard	Single	N/A	N/A	Steel	Plastic	Steel	N/A	N/A	Two seals	N/A
IKO	LME 81625N UU	8	N/A	N/A	16	N/A	25	N/A	EURO Metric	Standard	Single	N/A	N/A	Steel	Plastic	Steel	N/A	N/A	Two seals	N/A
HIWIN	UB-08AWW	8	N/A	N/A	16	N/A	25	N/A	EURO Metric	Standard	Single	N/A	N/A	Steel	Plastic	Steel	N/A	N/A	Two seals	N/A
ASK	L- 8VUU	8	N/A	N/A	16	N/A	25	N/A	EURO Metric	Standard	Single	N/A	N/A	Steel	Plastic	Steel	N/A	N/A	Two seals	N/A
Bosch Rexroth	R0602 308 10	8	N/A	N/A	16	N/A	25	N/A	EURO Metric	Standard	Single	N/A	N/A	Steel	Plastic	Steel	N/A	N/A	Two seals	N/A
Bosch Rexroth	0602-308-10	8	N/A	N/A	16	N/A	25	N/A	EURO Metric	Standard	Single	N/A	N/A	Steel	Plastic	Steel	N/A	N/A	Two seals	N/A
SKF	LBAR 8-2LS	8	N/A	N/A	16	N/A	25	N/A	EURO Metric	Standard	Single	N/A	N/A	Steel	Plastic	Steel	N/A	N/A	Two seals	N/A
Dr. Tretter	LME-08UU	8	N/A	N/A	16	N/A	25	N/A	EURO Metric	Standard	Single	N/A	N/A	Steel	Plastic	Steel	N/A	N/A	Two seals	N/A
THOMSON	MA M08 WW	8	N/A	N/A	16	N/A	25	N/A	EURO Metric	Standard	Single	N/A	N/A	Steel	Plastic	Steel	N/A	N/A	Two seals	N/A
SAMICK	LME 8UU	8	N/A	N/A	16	N/A	25	N/A	EURO Metric	Standard	Single	N/A	N/A	Steel	Plastic	Steel	N/A	N/A	Two seals	N/A
SAMICK	LME 8UU-N	8	N/A	N/A	16	N/A	25	N/A	EURO Metric	Standard	Single	N/A	N/A	Steel	Plastic	Steel	N/A	N/A	Two seals	Electroless nickel plating on outer cylinder only
SAMICK	LME 8UU-R	8	N/A	N/A	16	N/A	25	N/A	EURO Metric	Standard	Single	N/A	N/A	Steel	Plastic	Steel	N/A	N/A	Two seals	Raydent treatment
SBC	SBE 8UU	8	N/A	N/A	16	N/A	25	N/A	EURO Metric	Standard	Single	N/A	N/A	Steel	Plastic	Steel	N/A	N/A	Two seals	N/A
SBC	SBE 8UU-NM	8	N/A	N/A	16	N/A	25	N/A	EURO Metric	Standard	Single	N/A	N/A	Steel	Plastic	Steel	N/A	N/A	Two seals	Electroless nickel plating on outer cylinder only
SNR	BBE8UU	8	N/A	N/A	16	N/A	25	N/A	EURO Metric	Standard	Single	N/A	N/A	Steel	Plastic	Steel	N/A	N/A	Two seals	N/A