



NICE®

RBC Field Sales Training



Catalog



Specialty Ball Bearings

NICE™

Providing custom-engineered bearing solutions to industry for over 100 years



RBC
BEARINGS

ISO 9001:2000

www.rbcbearings.com
800.390.3300

NICE®

2/06 Printing Additions:

- ER Series
- Metric Sub-numbers in **RED**
- EverGlide T-Ball™

RBC
BEARINGS

ER Series Precision Ground Radial Bearings with Extended Inner Ring and Metric Outside Diameter

- EXCLUSIVE, HEAVY DUTY "DL" SEALS
 - PERMANENTLY SEALED AND PRELUBRICATED FOR LONG LIFE
 - STEEL TRASH GUARD AND INNER RING LABYRINTH GROOVE PROVIDE SUPERIOR PROTECTION
 - BETTER PROTECTION IN WET/MOIST ENVIRONMENTS
 - OPTIONAL LOW-TORQUE SEAL IS AVAILABLE
- TWO LUBRICATION HOLES ALLOW FOR RE-GREASING
- TWO KNURLED CUP POINT SET SCREWS OFFER EXCELLENT RESISTANCE TO LOOSENING UNDER VIBRATORY CONDITIONS
- FULLY GROUND, SAE 52100 CHROME ALLOY STEEL RACES
- BLACK OXIDE FINISH PROVIDES ADDED CORROSION RESISTANCE

DL Seal

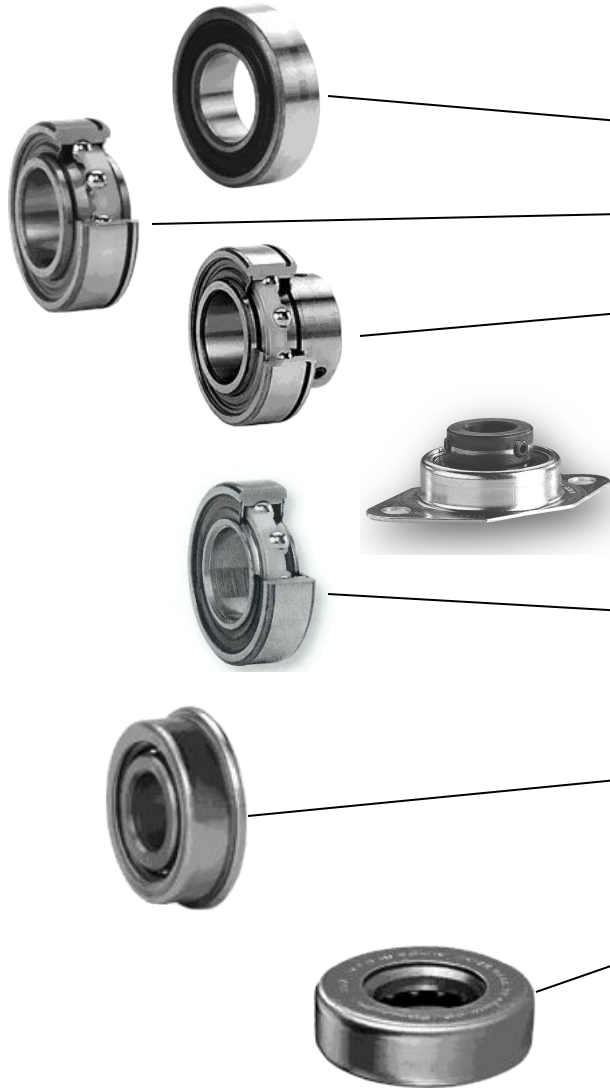
Positive outer ring retention
Wear resistant elastomer bonded to steel
Steel trash guard
Roller burnished precision sealing surface
Sealing lip provides uniform contact pressure even with abrasive wear

BASIC BEARING NUMBER	SHAFT Ø DIAMETER (in) (mm)	PRINCIPAL DIMENSIONS																						
		OD		WIDTH		C		D		E		F		G		H		K		J		WIDTH M		
		A (in) (mm)	B (in) (mm)	C (in) (mm)	D (in) (mm)	E (in) (mm)	F (in) (mm)	G (in) (mm)	H (in) (mm)	K (in) (mm)	J (in) (mm)	M (in) (mm)	M (in) (mm)	M (in) (mm)	M (in) (mm)	M (in) (mm)	M (in) (mm)	M (in) (mm)	M (in) (mm)	M (in) (mm)	M (in) (mm)	M (in) (mm)	M (in) (mm)	
ER10	5/8	1.8504	1.732	13/32	13/36	31/64	1.7/64	9/64	3/64	3/32	3/16	5/8	15.88	47	30.96	10.32	9.17	12.30	28.18	3.57	1.19	2.38	4.76	15.88
	19.05	47	30.96	10.32	9.17	12.30	28.18	3.57	1.19	2.38	4.76	15.88												
ER12	3/4	1.8504	1.732	13/32	13/36	31/64	1.7/64	9/64	3/64	3/32	3/16	5/8	19.05	47	30.96	10.32	9.17	12.30	28.18	3.57	1.19	2.38	4.76	15.88
	25.40	52	34.93	13.10	21.83	15.48	33.73	4.78	1.19	2.38	5.56	19.05												
ER16	1 3/16	2.4409	1.1/2	5/8	7/8	11/16	1.9/16	7/32	1/16	1/8	7/32	7/8	30.16	62	38.10	15.88	22.23	17.46	39.69	5.56	1.59	3.18	5.56	22.23
	31.75	72	42.86	17.46	25.40	19.05	46.04	5.56	1.59	3.18	6.35	23.81												
ER20	1 1/4	2.8346	1.11/16	11/16	1	3/4	1.13/16	7/32	1/16	1/8	1/4	15/16	31.75	72	42.86	17.46	25.40	19.05	46.04	5.56	1.59	3.18	6.35	23.81
	36.51	72	42.86	17.46	25.40	19.05	46.04	5.56	1.59	3.18	6.35	23.81												
ER23	1 1/2	3.1496	1.15/16	3/4	1.3/16	29/32	2.3/64	1/4	1/16	1/8	5/16	1.332	38.10	80	49.21	19.05	30.16	23.02	51.99	6.35	1.59	3.18	7.94	27.76
	49.21	80	49.21	19.05	30.16	23.02	51.99	6.35	1.59	3.18	7.94	27.76												
ER31	1 15/16	3.5433	2.1/32	3/4	1.9/32	29/32	2.15/32	19/64	3/32	1/8	3/8	1.1/8	49.21	90	51.59	19.05	32.54	23.02	62.71	7.54	2.38	3.18	9.53	28.58
	90	51.59	19.05	32.54	23.02	62.71	7.54	2.38	3.18	9.53	28.58													

1 Shaft tolerance +.0000/-0.0005 (+.0000/-0.013)

RBC
BEARINGS

Nice Product Offering - Inch Based



Nice™ Standard Product Line				
Class	Series	Type	Ground Surfaces	Bore Range
Ground	1600™	(Retainer) Radial	Raceways Bore, O.D., Faces	3/16"-1 5/16" 4.76-49.21
	7500™	Radial		1/2"-1 1/4" 12.70-31.75
	7600™	Radial Extended Inner		1/2"-1 1/4" 12.70-31.75
	ER	Radial Extended Inner Metric O.D.		5/8"-1 15/16" 15.86-49.21
Semi-Ground	6900™	Radial Flanged Extended Inner	Raceways, O.D., Faces	3/8"-1" 9.53-25.40
	3000™	(Retainer) Radial	Outer Raceways, O.D., Faces	3/16"-1" 4.76-25.40
Unground	400™/ 5000™	(Full Complement) Radial	None	3/16"-2" 4.76-50.80
	500™	Radial/Thrust		1/4"-2 1/4" 6.35-57.15
	600™	Thrust		1/4"-1 1/2" 6.35-38.10
Modified Standards and Specials	All	Radial Retainer and Full Types Thrust	Any Combination	3/16"-2" 4.76-50.80

Nomenclature - Standard Catalog



1616 DC TN TG 18

1600 Series
3000 Series

Nylon Cage

18=Single Box Nice Logo
00=Bulk Pack

DC=Double Sealed
DS=Double Shielded
NS=Open
SC=Single Seal
SS=Single Shield

Shell Alvania 2 Grease



1600 Series
Precision Ground
Radial Brg



3000 Series
Semi-Ground
Radial Brg

Nomenclature - Standard Catalog



7512

DLG

TN

TG

18

7500 Series
7600 Series

Nylon Cage

18=Single Box Nice Logo
00=Bulk Pack

DL=Heavy Duty Seal
G=Snap Ring

Shell Alvania 2 Grease

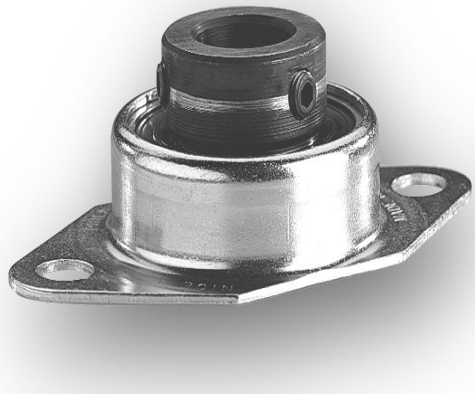
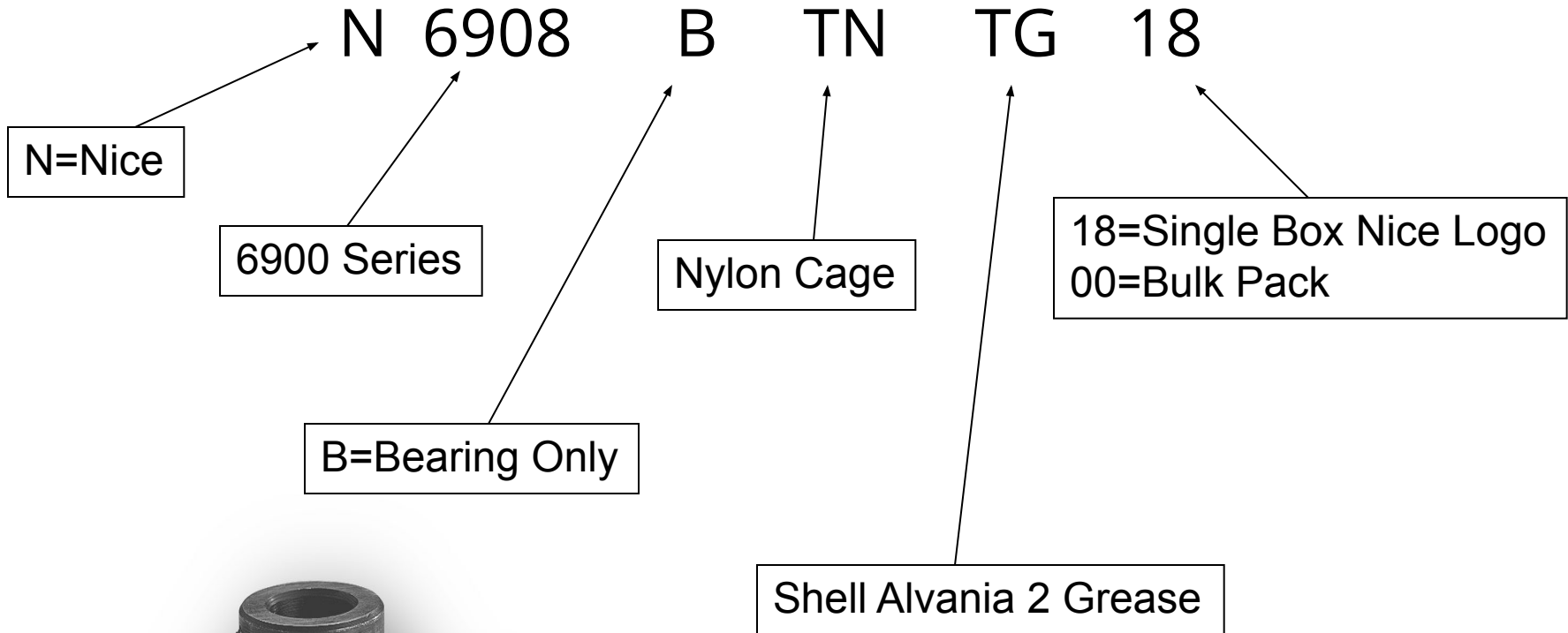


7500 Series
Heavy Duty
Precision Ground Brg



7600 Series
Precision Ground
w/ Extended Inner Ring

Nomenclature - Standard Catalog



6900 Series
Semi-Ground
Radial Brg
Extended Inner
W/ Flanged Hsg

Nomenclature - Standard Catalog



603 V BF 53

400 Series
500 Series
600 Series
5000 Series

Full Complement

18=Single Box Nice Logo
53=Box of 10
00=Bulk Pack

Standard Slush
MF & BF



600 Series
Thrust Brg



400 Series
Radial Brg

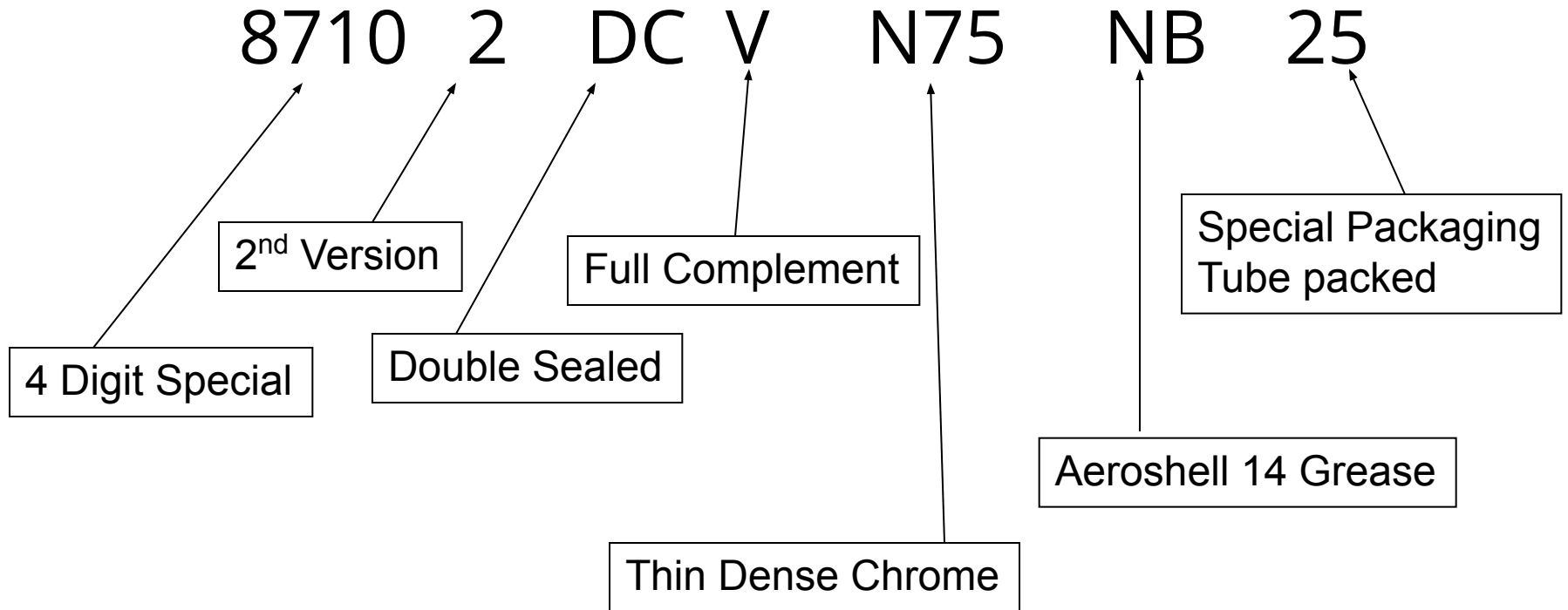


500 Series
Combination Radial
& Thrust Brg



5000 Series
Flanged Radial Brg

Nomenclature - Specials

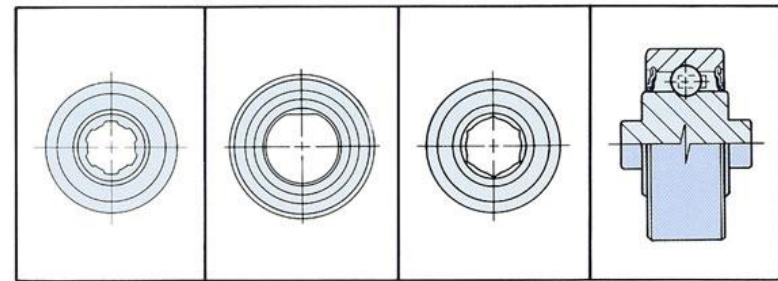


Nice Capabilities



- Bore Shapes
 - Splined
 - D-Shape
 - Hex
 - Solid Inner Race

Inner Rings



Splined Bore

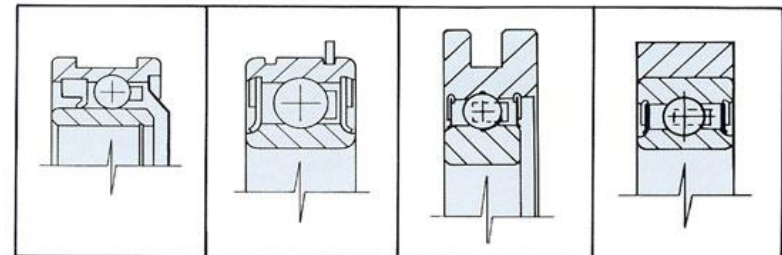
D-Shaped Bore

Hex Bore

Solid Inner Race

- OD configuration
 - Flanges
 - Molded tires
 - Grooved
 - Knurled

Outer Rings



Milled Slots

Double Snap Ring Grooves

Track Grooves

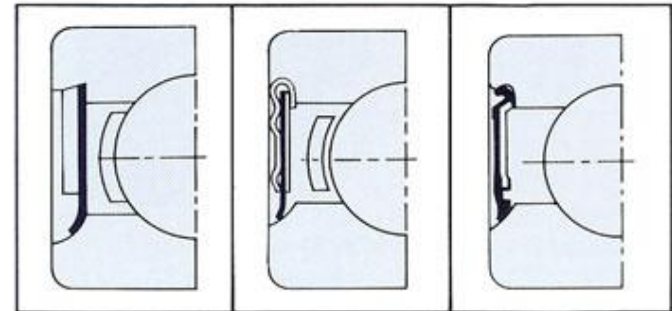
Polyurethane Tires

Nice Capabilities



- Seals & Shields
- Plating
 - TDC
 - Zinc
 - Nickel
 - Cadmium
- Raw Material
 - Stainless
 - 8620
 - 1215
 - 52100
 - Non-metallic
- Assemblies

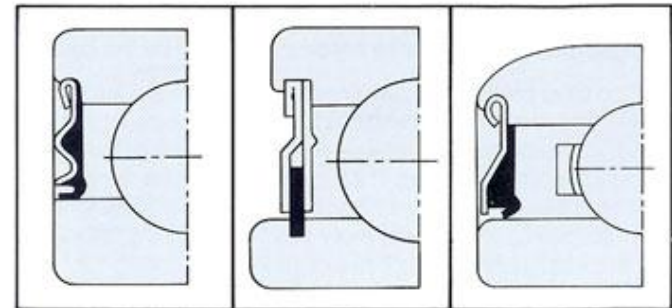
Seals



DC Seal

RS Seal

GS Molded Seal



Ag-Plus Seal

DL Labyrinth

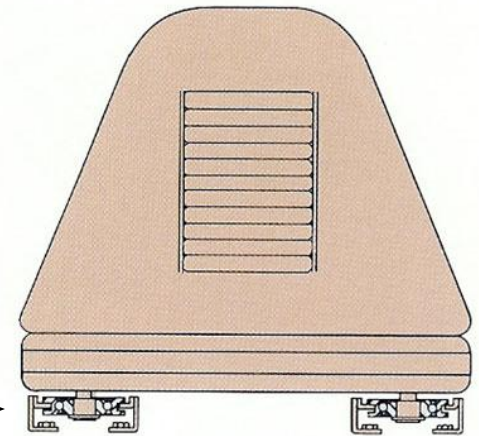
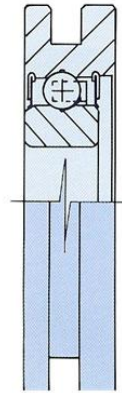
Super-Ag Seal

What We Are Not!

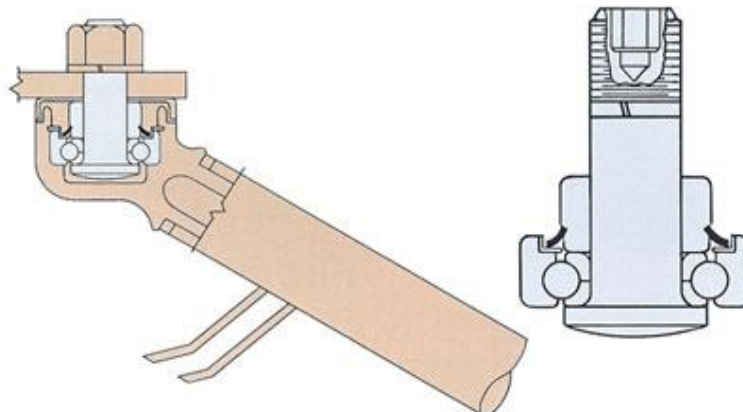


- Standard catalog ball bearings supplied by:
 - SKF, FAG, NTN, NSK, Fafnir, Etc.
- Standard metric nomenclature:
 - 6200
 - 6300
 - 6000
 - 61000
 - Etc.

Agricultural

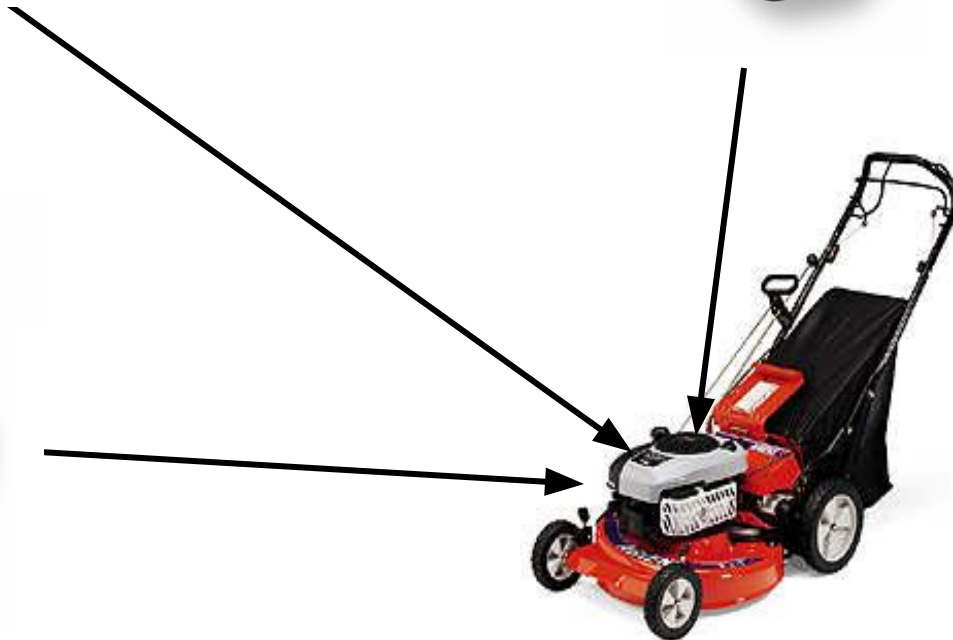


Seats

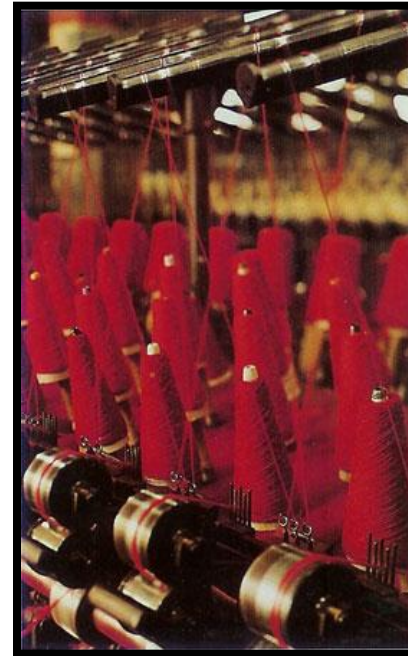
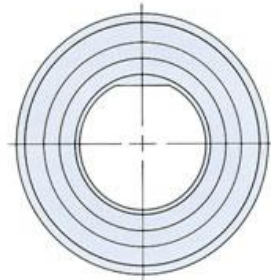
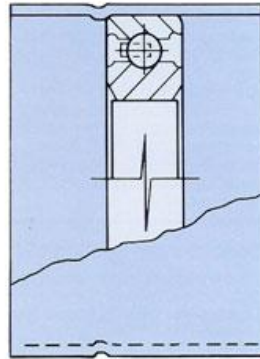
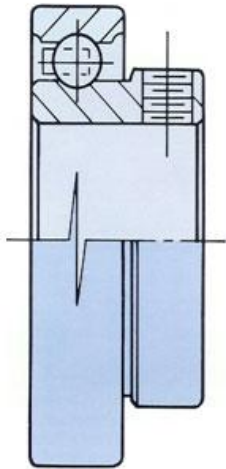
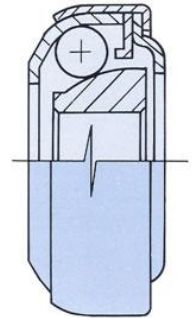
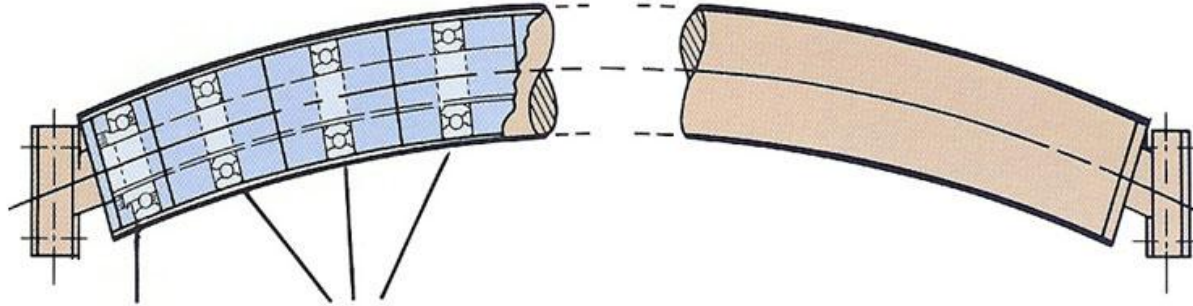


Tine Bar

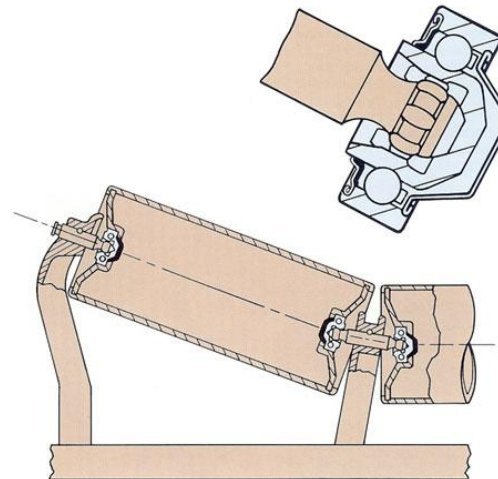
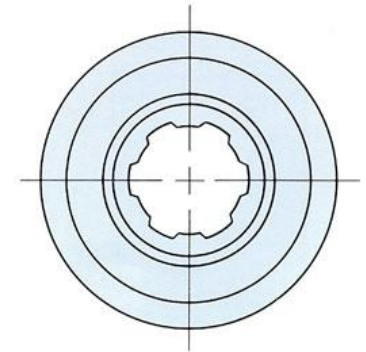
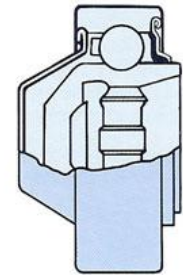
Lawn & Garden Applications



Textile Applications



Conveying Applications



Motorcycles and Bicycles

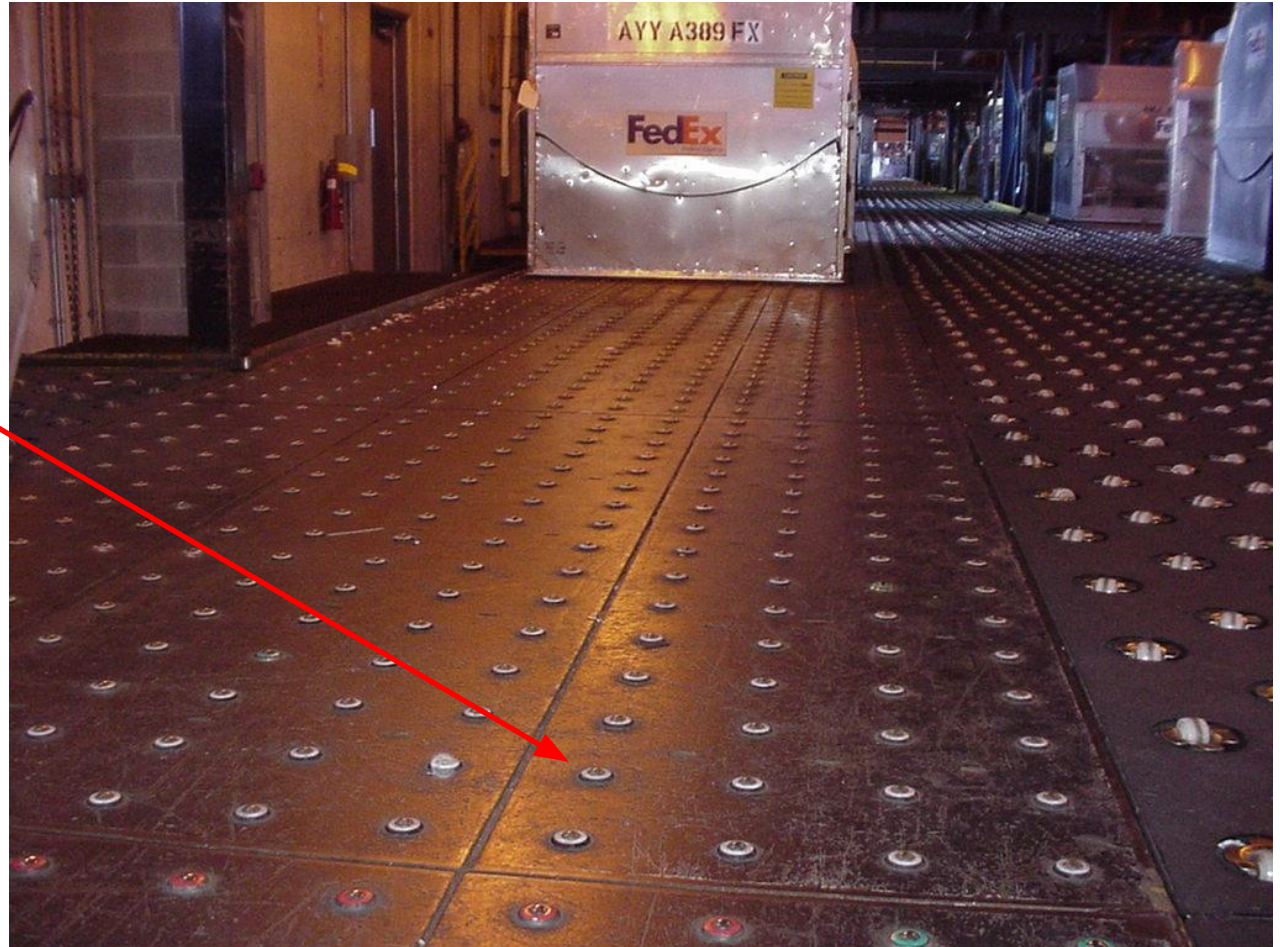


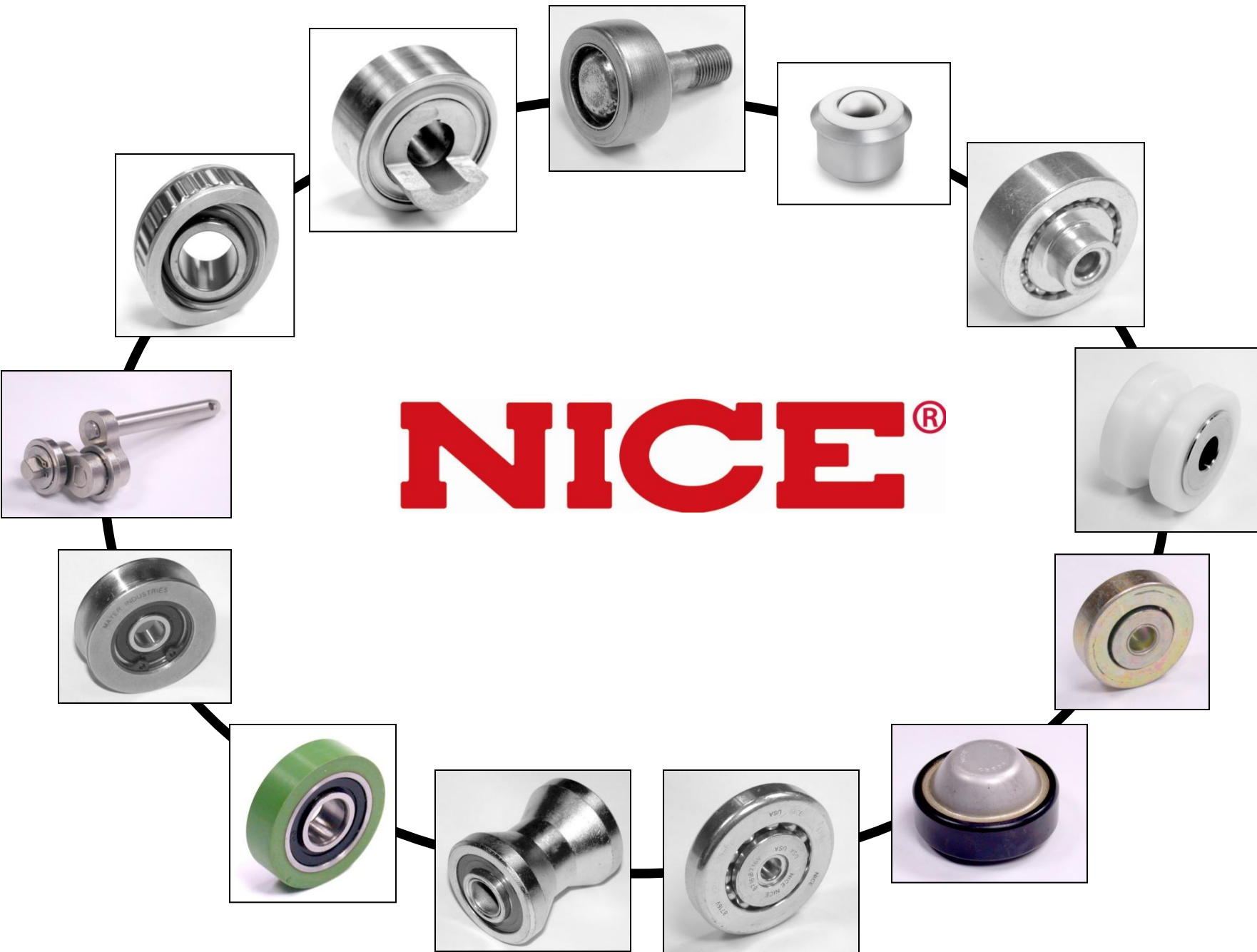
- Buell Motorcycle
Jim Dougherty
Appl: Head Set Brg
- TDC Coated Races
 - High impact loads
 - Wheelies & Stoppies
 - New flanged version
 - 7/07 Launch
 - \$120,000/yr
 - \$160,000 in FY07

Applications-EverGlide T-Ball™



FedEx Express
Appl: Ball Mats
Over 100,000 units installed





NICE®