



## NIPPON BEARING

2833 Chiya, Ojiya-city, Niigata-pref., 947-8503 JAPAN  
Phone:+81 (0)258-82-0011 FAX:+81 (0)258-81-1135  
Overseas direct call:+81 (0)258-82-5709  
<http://www.nb-linear.co.jp>

### NB CORPORATION OF AMERICA

930 Muirfield Drive, Hanover Park, IL60133  
Phone:(630)295-8880 FAX:(630)295-8881  
TOLL FREE:(800)521-2045

#### Western Regional Office

46750 Lakeview Blvd. Fremont, CA 94538  
Phone:(510)490-1420 FAX:(510)490-1733  
TOLL FREE:(888)562-4175

#### Eastern Regional Office

500 N. Franklin Turnpike, Suite 103, Ramsey, NJ 07446, U.S.A.  
Phone:(201)236-3886 FAX:(201)236-5112  
TOLL FREE:(800)981-8190

<http://www.nbcorporation.com>  
[info@nbcorporation.com](mailto:info@nbcorporation.com)

### NB EUROPE B.V.

Boekweitstraat 21, 2153 GK Nieuw-Venep, The Netherlands  
Phone:+31 (0)252-463-200 FAX:+31 (0)252-463-209  
<http://www.nbeurope.com>  
[info@nbeurope.com](mailto:info@nbeurope.com)

### NB CHINA CO.,LTD.

Room 108, Building 2, Randong Commercial Center No.150,  
Lane 2161 Wanyuan Road, Minhang District, Shanghai 201103,  
P.R. China  
Phone:+86-21-5228-6811 FAX:+86-21-5228-6810  
<http://www.nb-linear.co.jp/chinese/index.html>  
[info@nb-china.com.cn](mailto:info@nb-china.com.cn)

### NIPPON BEARING MALAYSIA SDN. BHD.

No.27, Jalan PJS 11/14, Bandar Sunway, 46150 Petaling Jaya,  
Selangor Darul Ehsan, Malaysia

NB LINEAR SYSTEM

General Catalog

No.175E

NIPPON BEARING

# NB

## LINEAR SYSTEM

General Catalog No.175E



NIPPON BEARING

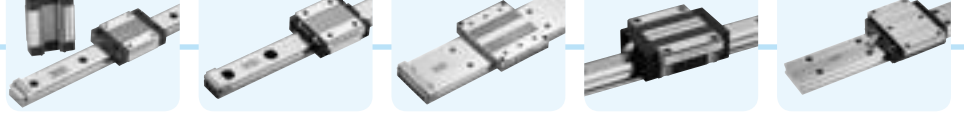










NIPPON BEARING

NIPPON BEARING CO., LTD.

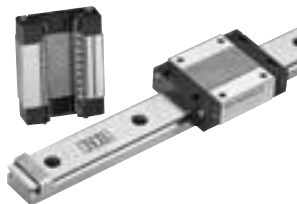
NB LINEAR SYSTEM  
 TECHNICAL INFORMATION Eng-1~42

# CONTENTS

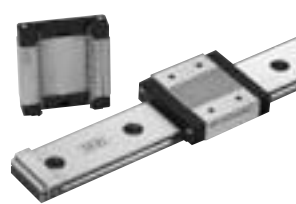
<p><b>SLIDE GUIDE</b> ..... A-1~79</p>	
<p><b>BALL SPLINE              ROTARY BALL SPLINE              STROKE BALL SPLINE              BALL SCREW SPLINE</b> ..... B-1~59</p>	
<p><b>SLIDE BUSH</b> ..... C-1~147</p>	
<p><b>TOP BALL®</b> ..... D-1~25</p>	
<p><b>STROKE BUSH              SLIDE ROTARY BUSH</b> ..... E-1~27</p>	
<p><b>SLIDE SHAFT              SPINDLE SHAFT</b> ..... F-1~46</p>	
<p><b>SLIDE WAY•SLIDE TABLE              MINIATURE SLIDE              GONIO WAY</b> ..... G-1~70</p>	
<p><b>ACTUATOR</b> ..... H-1~79</p>	
<p><b>SLIDE SCREW</b> ..... I-1~7</p>	

## SLIDE GUIDE

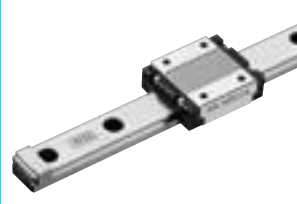
SEBS-BS/B/BY P.A-26  
SEBS-BSM/BM/BYM P.A-26



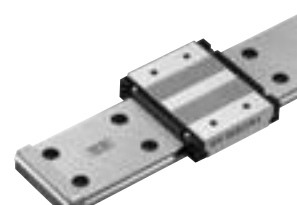
SEBS-WBS/WB/WBY P.A-30



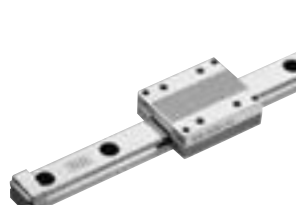
SEB-A/AY P.A-34



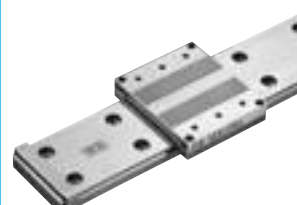
SEB-WA/WAY P.A-38



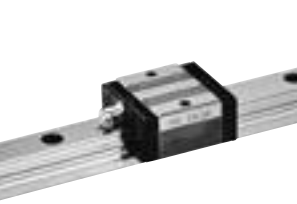
SER-A P.A-46



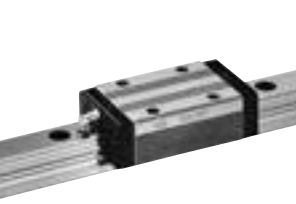
SER-WA P.A-48



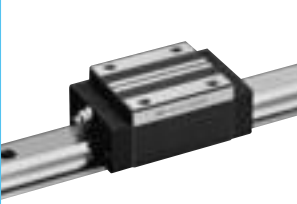
SGL-F P.A-54



SGL-TF P.A-56



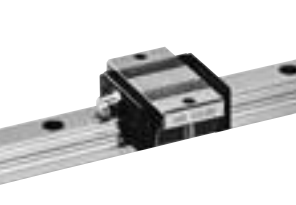
SGL-HTF P.A-58



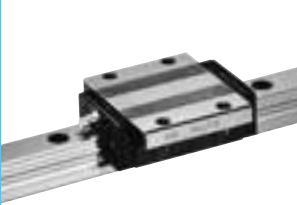
SGL-HYF P.A-60



SGL-E P.A-62



SGL-TE P.A-64



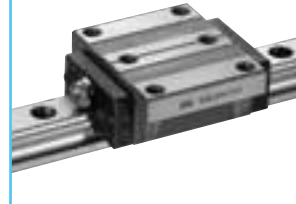
SGL-HTE P.A-66



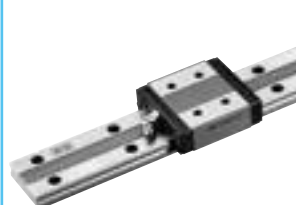
SGL-HYE P.A-68



SGL-HTEX P.A-70



SGW-TF P.A-76



SGW-TE P.A-78



## BALL SPLINE

SSP P.B-18



SSP-AM P.B-20



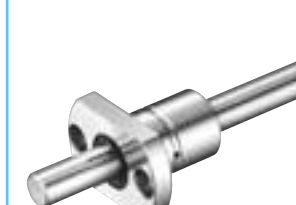
SSPM P.B-22



SSPF P.B-24



SSPT P.B-26

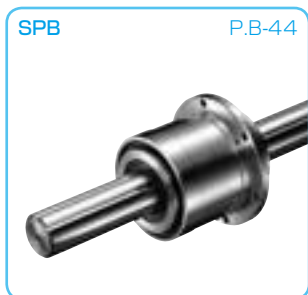
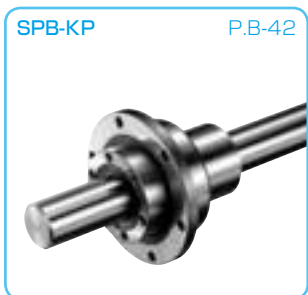
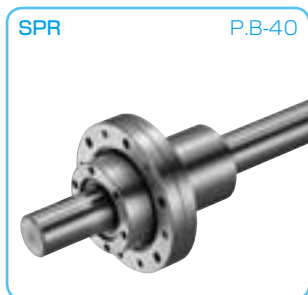


SSPT-AM  
SSPK-AM P.B-28

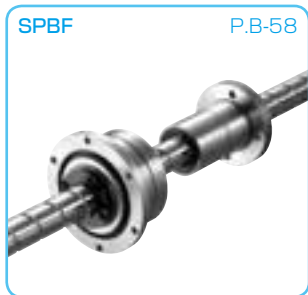
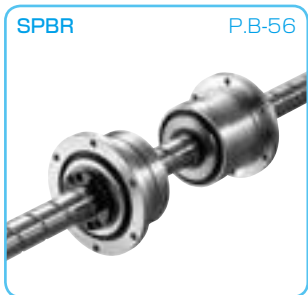
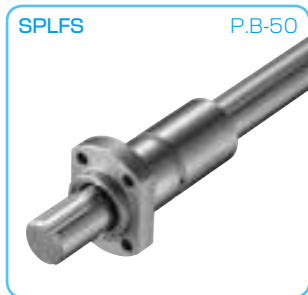




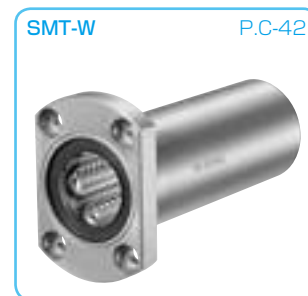
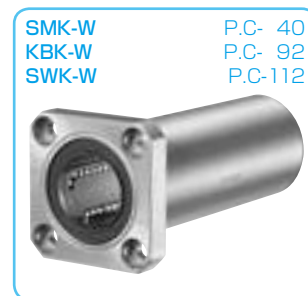
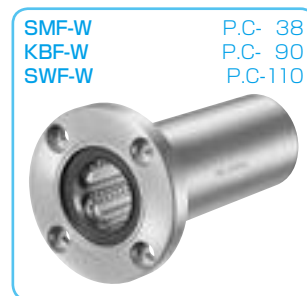
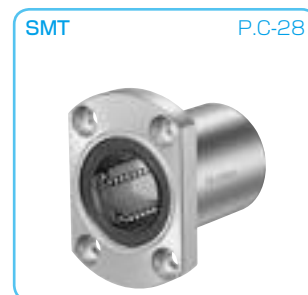
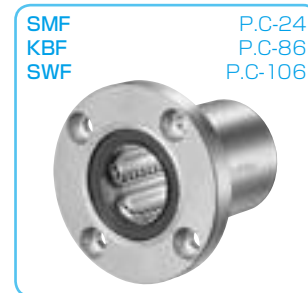
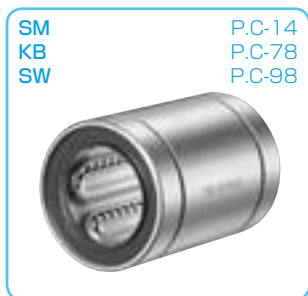
ROTARY BALL SPLINE

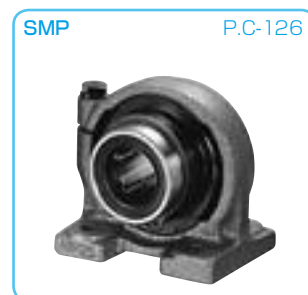
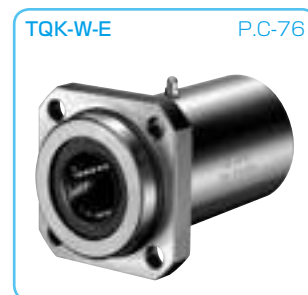
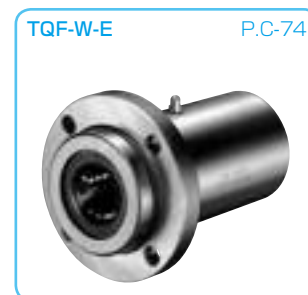
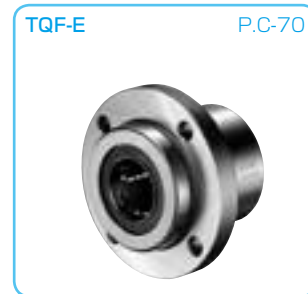


STROKE BALL SPLINE BALL SCREW SPLINE



SLIDE BUSH





SMJ P.C-128



SME P.C-130



SME-W P.C-132



SMD P.C-134



CE P.C-136



CD P.C-138



SWA P.C-140



SWJ P.C-142



SWD P.C-144



RBW P.C-146



TOPBALL®

TK P.D-8



TK-OP P.D-8



TW P.D-10



TW-OP P.D-10



TKA P.D-12



TKA-W P.D-13



TKE P.D-14



TKE-W P.D-15



TKD P.D-16



TKD-W P.D-17

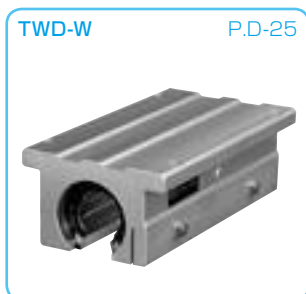
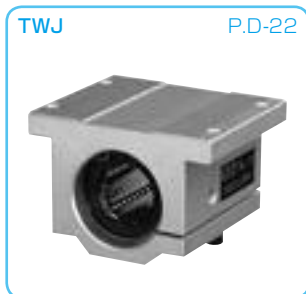
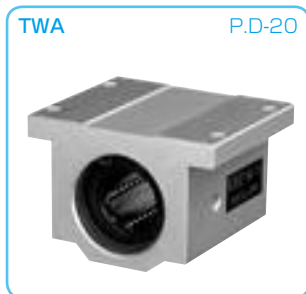


TMF P.D-18

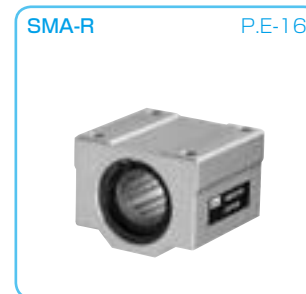


TMA P.D-19

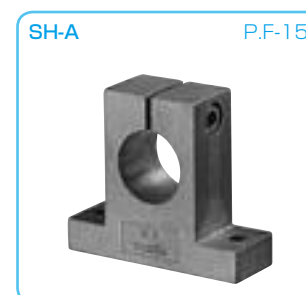
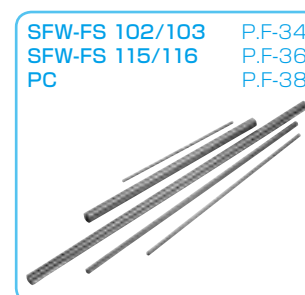
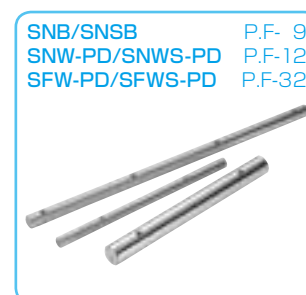
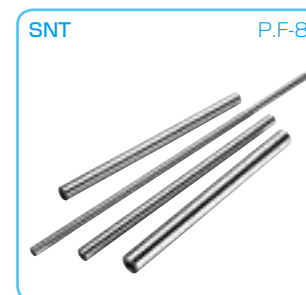
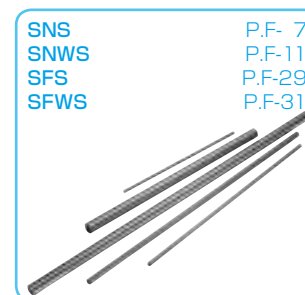
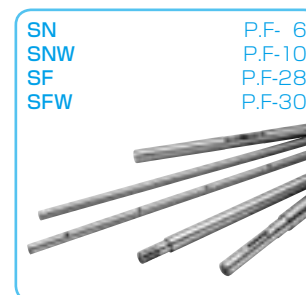




STROKE BUSH / SLIDE ROTARY BUSH



SHAFT





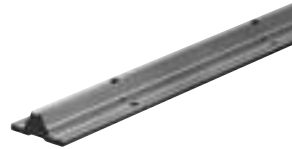
SH P.F-16



SHF SHF-FC P.F-17



SA P.F-18



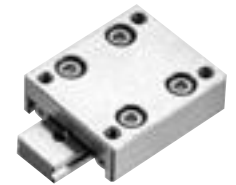
SVW/SVWS P.G-24



NVT/NVTS P.G-30



NYT/NYTS P.G-34



WH-A P.F-20



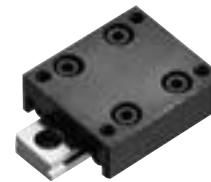
WA P.F-22



LWA P.F-23



NYT-D/NYTS-D P.G-36



SVT/SVTS P.G-38



SYT/SYTS P.G-44



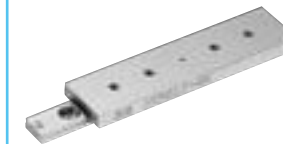
WSS/WSS-SS P.F-24



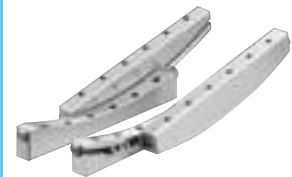
SYT-D/SYTS-D P.G-48



SYBS P.G-56



RVF P.G-66

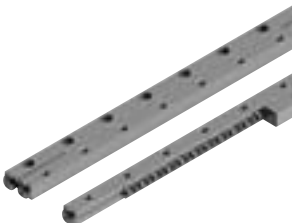


SLIDE WAY/SLIDE TABLE/MINIATURE SLIDE/GONIO WAY

NV/NVS P.G-10



NVS-RNS P.G-14

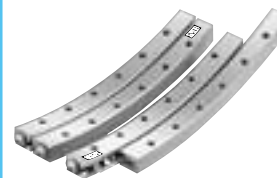


SV/SVS P.G-16



ACTUATOR

RV P.G-68



BG P.H-1



SLIDE SCREW

SS P.I-7



# NBLINEAR SYSTEM

The NB linear system is a linear motion mechanism which utilizes the rolling motion of ball and/or roller elements. NB offers a wide range of linear motion products of high precision quality that contribute to the size and weight reduction of machinery and equipment.

## ADVANTAGES

### Low Friction and Excellent Response

The dynamic friction of the ball or roller elements is substantially lower than that of full-face surface sliding friction. Since the difference between dynamic and static frictional resistance is small, motion response is excellent in terms of positioning accuracy and in high speed applications with acceleration and deceleration.

### High Precision and Smooth Movement

The NB linear system is designed for the rolling elements to achieve extremely smooth motion. The raceway surface is finished by precision grinding for high precision movement with optimal clearance.

### High Load Capacity and Long Travel Life

Despite the compactness of the NB linear system, the system uses relatively large rolling elements on a long raceway resulting in a high load capacity and a long travel life.

### Ease of Installation

The NB linear system shortens machining and assembly time compared with that of a full-face surface sliding bearing.

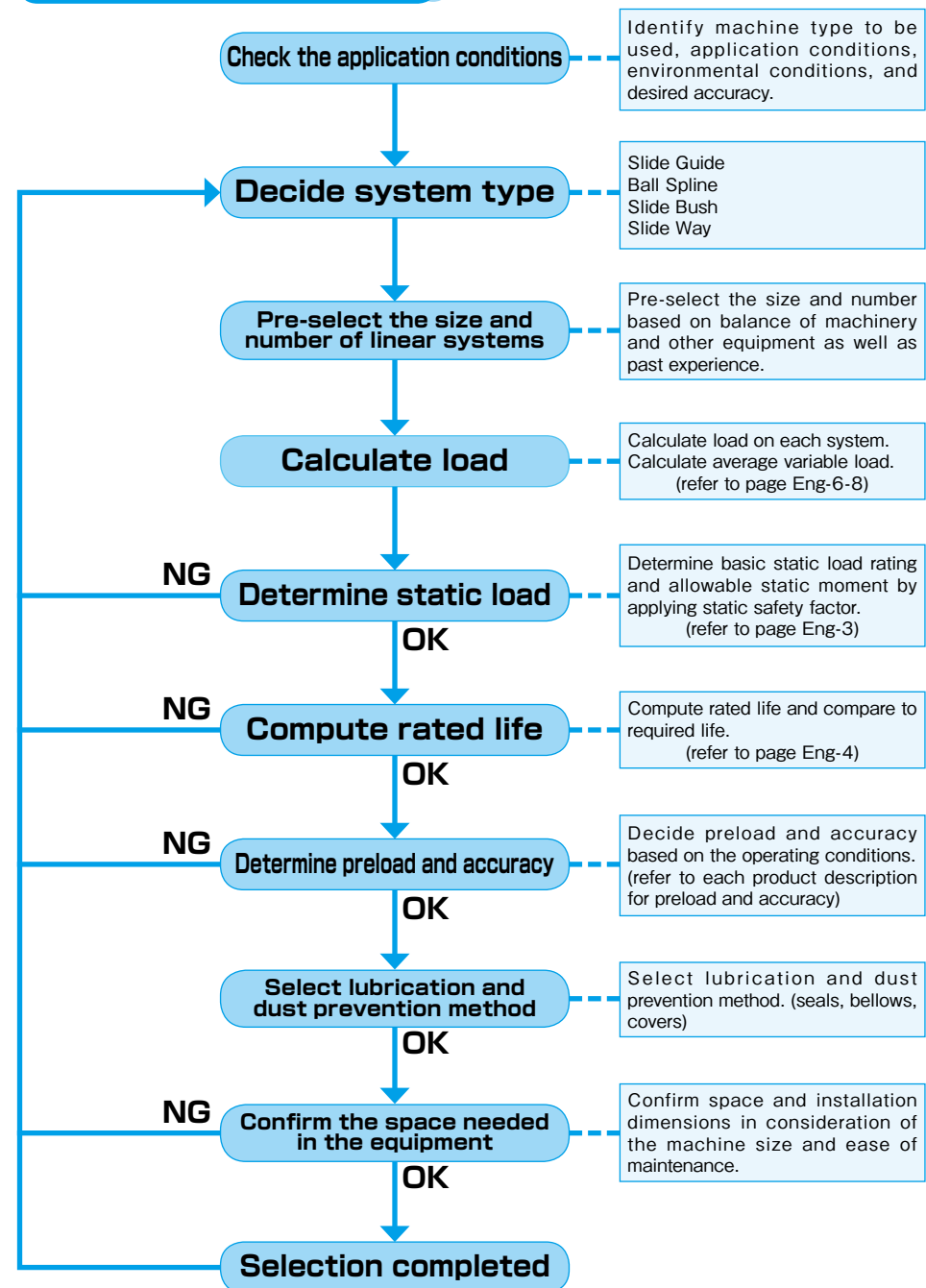
### Variety of Types

A wide variety of types and sizes of the NB linear systems are available to best serve the purpose for every application and requirement.



Eng-1

## PROCESS FOR SELECTING NB LINEAR SYSTEM



Eng-2

ALLOWABLE LOAD

Load and Moment

A load is applied to the linear system as Figure 1-1 shows. Sometimes moment loads are applied to, for example, slide guides. Load and moment are defined as follows.

Basic Static Load Rating (compliant with ISO14728-2\*) and Allowable Static Moment

When excess load or impact load is applied to the linear system while it is stationary or moving slowly, a permanent deformation occurs on the rolling elements and the race way.

If this deformation exceeds a certain limit, it causes vibration and noise during operation resulting in a non-smooth motion and a shorter life time. To prevent this permanent deformation and deterioration in motion accuracy, the basic static load rating (Co) is given as the allowable load for the linear system. This basic static load rating is defined as the static load that results in the maximum allowable stress at the center of the contact surface between the rolling elements and the race way. The sum of the permanent deformation of the rolling element and that of the race way is 0.0001 time the diameter of the rolling element. In the linear system, a moment load may be present in addition to the static load. The allowable static moments are defined by Mp, My, and Mr as illustrated in Figure 1-1.

\*1: This does not apply to some products.

Allowable Load and Static Safety Factor

The basic static load rating and allowable static moment define the maximum static load in each direction, however, these maximum static loads are not necessarily applicable depending on the operating conditions, the mounting accuracy, and the required motion accuracy. Therefore, an allowable load with a safety factor must be obtained. The minimum static safety factor is listed in Table 1-1.

Allowable Load

$$P_{max} \leq Co / fs \dots\dots\dots (1)$$

Allowable Moment

$$M_{max} \leq (Mp, My, Mr, Mp2, My2) / fs \dots\dots (2)$$

fs: static safety factor Co: basic static load rating (N)

Pmax.: allowable load (N)

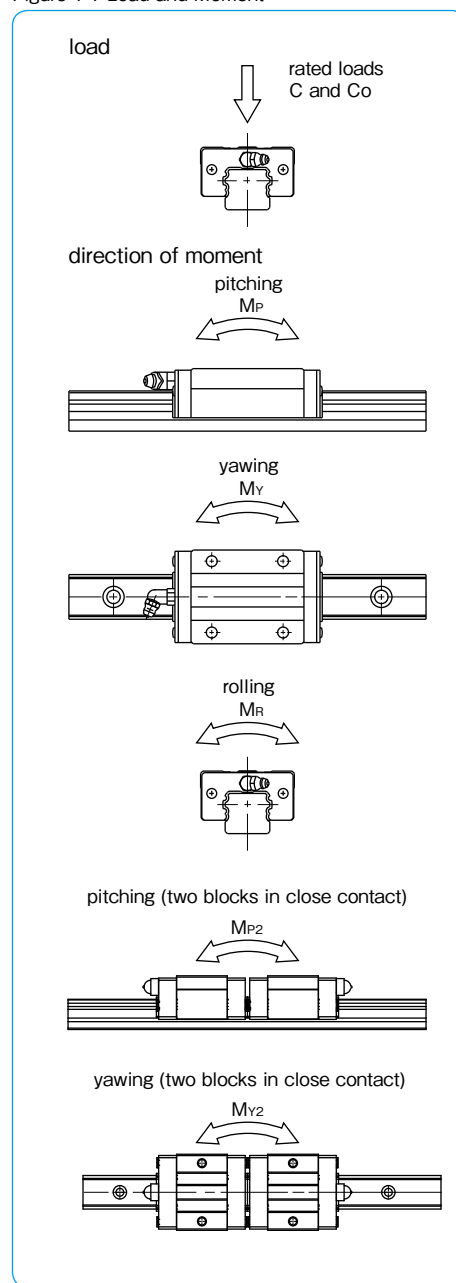
Mp, Mr, My, Mp2, My2: allowable static moment (N · m)

Mmax.: allowable moment (N · m)

Table 1-1 Minimum Static Safety Factor (fs)

operating conditions	static safety factor
normal	1~2
smooth motion required	2~4
vibration/impact loading	3~5

Figure 1-1 Load and Moment



LIFE

Life of a Linear System

When a linear system reciprocates under loading, a continuous stress acts on it, ultimately causing flaking of its race way surface due to material fatigue. The distance a linear system travels before this flaking occurs is defined as the life of the linear system. A linear system can also become inoperable due to sintering, cracking, pitting, or rusting, however, these causes are differentiated from flaking because they are related to installation accuracy, operating environment, and relubrication method.

Rated Life

Even when a group of linear systems from the same production lot operated under identical conditions, the life time can differ due to differences in the material fatigue failure characteristics. This fact prevents from determining the exact life time of a single linear system for use. Therefore, the rated life is defined statistically as the distance of 90% of the linear systems travel before causing flaking.

Basic Dynamic Load Rating (compliant with ISO14728-1\*2) and Basic Dynamic Torque Rating

The life of a linear system is expressed in terms of the distance traveled. Therefore, the life of a linear system is calculated reversely by using the allowable load that achieves a certain travel distance. This allowable load is called the basic dynamic load rating. The basic dynamic load rating is defined as a constant load in weight and direction that can achieve a travel distance of 50x10<sup>3</sup>m on the linear system. NB assumes the load is applied from the top as a normal radial load, because basic dynamic load ratings change depending on the applied load direction. The basic dynamic load ratings in the dimensional tables are based on this assumption. Ball splines can carry torque loading, so the basic dynamic torque rating is defined for the Ball Spline.

\*2: This does not apply to some products.

Rated Life Estimation

The rated life estimation depends on the type of the rolling element. Equations (3) and (4) are used for the ball element and for the roller element, respectively. Equation (5) is used when torque loading is present.

balls are used as the rolling element

$$L = \left(\frac{C}{P}\right)^3 \cdot 50 \dots\dots\dots (3)$$

rollers are used as the rolling element

$$L = \left(\frac{C}{P}\right)^{10/3} \cdot 50 \dots\dots\dots (4)$$

torque loading is present

$$L = \left(\frac{CT}{T}\right)^3 \cdot 50 \dots\dots\dots (5)$$

L: rated life (km) C: basic dynamic load rating (N)  
 P: applied load (N) Cr: basic dynamic torque rating (N · m)  
 T: applied torque (N · m)

In the actual application, numerous variable factors are present such as in guide rail/shaft accuracy, in mounting conditions, in operating conditions, vibration and shock, etc. Therefore, calculating the actual applied load accurately is extremely difficult. In general, the calculation is simplified by using coefficients representing these factors: hardness coefficient (fh), temperature coefficient (ft), contact coefficient (fc), and applied load coefficient (fw). Taking these coefficients into account, Equations (3) to (5) become Equations (6) to (8).

balls are used as the rolling element

$$L = \left(\frac{fh \cdot ft \cdot fc \cdot C}{fw \cdot P}\right)^3 \cdot 50 \dots\dots\dots (6)$$

rollers are used as the rolling element

$$L = \left(\frac{fh \cdot ft \cdot fc \cdot C}{fw \cdot P}\right)^{10/3} \cdot 50 \dots\dots\dots (7)$$

torque loading is present

$$L = \left(\frac{fh \cdot ft \cdot fc \cdot CT}{fw \cdot T}\right)^3 \cdot 50 \dots\dots\dots (8)$$

L: rated life (km) fh: hardness coefficient  
 ft: temperature coefficient fc: contact coefficient  
 fw: applied load coefficient P: applied load (N)  
 C: basic dynamic load rating (N)  
 CT: basic dynamic torque rating (N · m)  
 T: applied torque (N · m)

When the travel distance per unit time is constant, the rated life can be expressed in terms of time (hour). Equation (9) shows the relationship between stroke length, number of cycles per minute, and the life time.

$$L_h = \frac{L \cdot 10^3}{2 \cdot \ell_s \cdot n_1 \cdot 60} \dots \dots \dots (9)$$

L<sub>h</sub>: life time (hr) ℓ<sub>s</sub>: stroke length (m)  
n<sub>1</sub>: number of cycles per minute (cpm)

Figure 1-2 Hardness Coefficient

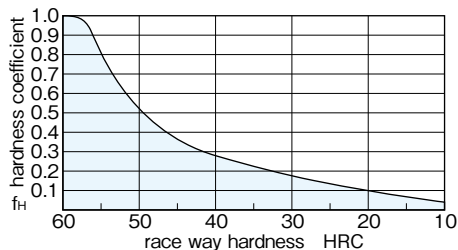


Figure 1-3 Temperature Coefficient

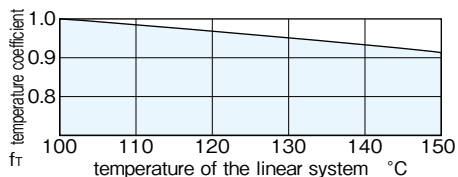


Table 1-2 Contact Coefficient

number of linear bearings in close contact on rail/shaft	contact coefficient f <sub>c</sub>
1	1.00
2	0.81
3	0.72
4	0.66
5	0.61

Table 1-3 Applied Load Coefficient

operating conditions		applied load coefficient f <sub>w</sub>
loading	velocity	
no shock and vibration	0.25 m/s less	1.0~1.5
low shock and vibration	1 m/s less	1.5~2.0
high shock and vibration	1 m/s more	2.0~3.5

•Hardness Coefficient (f<sub>H</sub>)

In the linear system, the guide rail or shaft works as race way of the rolling elements. Therefore, the hardness of the rail or shaft is an important factor in determining the rated load. The rated load decreases as the hardness decrease below 58HRC. NB products hold appropriate hardness by advanced heat treatment technology. In case of using the rail or shaft of insufficient hardness, please take the hardness coefficient (Figure 1-2) into the life calculation equation.

•Temperature Coefficient (f<sub>T</sub>)

In order to give low wear characteristics NB products are hardened by heat treatment. If the temperature of the linear system exceeds 100°C, the hardness is decreased by tempering effect, so as the rated load decreases. Figure 1-3 shows the temperature coefficient as hardness changes with temperature.

•Contact Coefficient (f<sub>c</sub>)

When more than one bearing is used in close contact, the contact coefficient should be taken into consideration due to the variation of products and the accuracy of the mounting surface. Table 1-2 shows the contact coefficient for life calculation.

•Applied Load Coefficient (f<sub>w</sub>)

The actual applied load on a liner system can be greater than the calculated load due to impact, vibration, or inertia. Hence, an appropriate applied load coefficient(table 1-3) must be incorporated into a life calculation.

There are separate applied load coefficient tables for TOPBALL products on page D-3 and for Slide Rotary Bush FR&FRA type on page E-25.

Calculation of Applied Load (1)

Tables 1-4 and 1-5 show the formulas of applied load calculation for typical applications.

W: applied load (N) P<sub>1</sub> - P<sub>4</sub>: load applied to linear system (N) X,Y: linear system span (mm)  
x, y, ℓ: distance to applied load or to working center of gravity (mm) g: gravitational acceleration (9.8 x 10<sup>3</sup>mm/s<sup>2</sup>)  
V: velocity (mm/s) t: acceleration time (sec) t<sub>s</sub>: deceleration time (sec)

Table 1-4 Applied Load Calculation (1)

	condition	applied load calculation formula
under static conditions or constant velocity motion	2 horizontal axes 	$P_1 = \frac{1}{4}W + \frac{x_0}{2X}W + \frac{y_0}{2Y}W$ $P_2 = \frac{1}{4}W - \frac{x_0}{2X}W + \frac{y_0}{2Y}W$ $P_3 = \frac{1}{4}W + \frac{x_0}{2X}W - \frac{y_0}{2Y}W$ $P_4 = \frac{1}{4}W - \frac{x_0}{2X}W - \frac{y_0}{2Y}W$ <p>Note : If the calculation results in a negative value, the loading direction is in the opposite direction.</p>
	2 horizontal axes, over-hang 	$P_1 = \frac{1}{4}W + \frac{x_0}{2X}W + \frac{y_0}{2Y}W$ $P_2 = \frac{1}{4}W - \frac{x_0}{2X}W + \frac{y_0}{2Y}W$ $P_3 = \frac{1}{4}W + \frac{x_0}{2X}W - \frac{y_0}{2Y}W$ $P_4 = \frac{1}{4}W - \frac{x_0}{2X}W - \frac{y_0}{2Y}W$ <p>Note : If the calculation results in a negative value, the loading direction is in the opposite direction.</p>
	2 horizontal axes, moving axes 	$P_1 = \frac{1}{4}W + \frac{x_0}{2X}W + \frac{y_0}{2Y}W$ $P_2 = \frac{1}{4}W - \frac{x_0}{2X}W + \frac{y_0}{2Y}W$ $P_3 = \frac{1}{4}W + \frac{x_0}{2X}W - \frac{y_0}{2Y}W$ $P_4 = \frac{1}{4}W - \frac{x_0}{2X}W - \frac{y_0}{2Y}W$ <p>Note : If the calculation results in a negative value, the loading direction is in the opposite direction.</p>

Table 1-5 Applied Load Calculation (2)

	condition	applied load calculation formula
under static conditions or constant velocity motion	2 horizontal, side axes 	$P_1=P_2=P_3=P_4=\frac{l_1}{2Y}W$ $P_{1S}=P_{3S}=\frac{1}{4}W+\frac{X_0}{2X}W$ $P_{2S}=P_{4S}=\frac{1}{4}W-\frac{X_0}{2X}W$
	2 vertical axes 	$P_1=P_2=P_3=P_4=\frac{l_1}{2X}W$ $P_{1S}=P_{2S}=P_{3S}=P_{4S}=\frac{l_2}{2X}W$
under constant acceleration conditions	2 horizontal axes 	under acceleration $P_1=P_3=\frac{1}{4}W\left(1+\frac{2V_1l_1}{gt_1X}\right)$ $P_2=P_4=\frac{1}{4}W\left(1-\frac{2V_1l_1}{gt_1X}\right)$ under deceleration $P_1=P_3=\frac{1}{4}W\left(1-\frac{2V_1l_1}{gt_3X}\right)$ $P_2=P_4=\frac{1}{4}W\left(1+\frac{2V_1l_1}{gt_3X}\right)$ under constant velocity $P_1=P_2=P_3=P_4=\frac{1}{4}W$ ※g: acceleration of gravity (9.8×10 <sup>3</sup> mm/sec <sup>2</sup> )
	velocity diagram 	

• Equivalent Coefficient

The linear systems are generally used with two axes, each axis with a couple of bearings installed. However, due to a space limitation, there must be an application in which one axis with one or two bearings in close contact installed. In such a case, multiply the applied moment by the equivalent moment coefficient shown in Tables 1-7~1-25 for applied load calculation. The following is a formula for calculating the equivalent moment load when a moment is applied to the linear system.

$P=E \cdot M$

P: equivalent moment load per bearing (N)  
 E: equivalent moment coefficient  
 M: applied moment (N · mm)

Calculation of Applied Load (2)

Table 1-6 shows the formulas for determining the applied load when moment is applied to the linear system.

W: applied load (N) P: load applied to the linear system (N) l: distance to applied load or to working center of gravity (mm)

Table 1-6 Applied Load Calculation (3)

	condition	applied load calculation formula
1 axis application	1 horizontal axis, 1 bearing 	$P=W+E_{p1}Wl_1+E_rWl_2$ E <sub>p1</sub> : Mp equivalent coefficient with 1 bearing used E <sub>r</sub> : Mr equivalent coefficient
	1 sideways axis, 1 bearing 	$P=W+E_{y1}Wl_1+E_rWl_2$ E <sub>y1</sub> : My equivalent coefficient with 1 bearing used E <sub>r</sub> : Mr equivalent coefficient
	1 vertical axis, 1 bearing 	$P=E_{p1}Wl_1+E_{y1}Wl_2$ E <sub>p1</sub> : Mp equivalent coefficient with 1 bearing used E <sub>y1</sub> : My equivalent coefficient with 1 bearing used
2 axes application	2 horizontal axes, 1 bearing each 	$P=W/2+Wl_2/Y+E_{p1}Wl_1/2$ E <sub>p1</sub> : Mp equivalent coefficient with 1 bearing used Y: span between the two axes centers
	2 sideways axes, 1 bearing each 	$P=W/2+E_{y1}Wl_2/2+Wl_1/Y$ E <sub>y1</sub> : My equivalent coefficient with 1 bearing used Y: span between the two axes centers
	2 vertical axes, 1 bearing each 	$P=E_{p1}Wl_1/2+E_{y1}Wl_2/2$ E <sub>p1</sub> : Mp equivalent coefficient with 1 bearing used E <sub>y1</sub> : My equivalent coefficient with 1 bearing used

Table 1-7 Slide Guide SEB type

unit: 1/mm

part number	equivalent coefficient				
	Ep <sub>1</sub>	Ep <sub>2</sub>	Ey <sub>1</sub>	Ey <sub>2</sub>	Er
SEBS 5B	6.64×10 <sup>-1</sup>	9.61×10 <sup>-2</sup>	7.91×10 <sup>-1</sup>	1.15×10 <sup>-1</sup>	3.85×10 <sup>-1</sup>
SEBS 5BY	5.17×10 <sup>-1</sup>	8.38×10 <sup>-2</sup>	6.16×10 <sup>-1</sup>	9.99×10 <sup>-2</sup>	3.85×10 <sup>-1</sup>
SEBS 7BS	6.70×10 <sup>-1</sup>	7.76×10 <sup>-2</sup>	7.98×10 <sup>-1</sup>	9.25×10 <sup>-2</sup>	2.74×10 <sup>-1</sup>
SEBS 7B	4.62×10 <sup>-1</sup>	6.65×10 <sup>-2</sup>	5.50×10 <sup>-1</sup>	7.93×10 <sup>-2</sup>	2.74×10 <sup>-1</sup>
SEBS 7BY	2.84×10 <sup>-1</sup>	5.00×10 <sup>-2</sup>	3.38×10 <sup>-1</sup>	5.96×10 <sup>-2</sup>	2.74×10 <sup>-1</sup>
SEBS 9BS	5.83×10 <sup>-1</sup>	6.96×10 <sup>-2</sup>	6.95×10 <sup>-1</sup>	8.30×10 <sup>-2</sup>	2.15×10 <sup>-1</sup>
SEBS 9B	3.26×10 <sup>-1</sup>	5.26×10 <sup>-2</sup>	3.88×10 <sup>-1</sup>	6.27×10 <sup>-2</sup>	2.15×10 <sup>-1</sup>
SEBS 9BY	2.26×10 <sup>-1</sup>	4.14×10 <sup>-2</sup>	2.69×10 <sup>-1</sup>	4.94×10 <sup>-2</sup>	2.15×10 <sup>-1</sup>
SEBS12BS	5.27×10 <sup>-1</sup>	5.90×10 <sup>-2</sup>	6.28×10 <sup>-1</sup>	7.03×10 <sup>-2</sup>	1.60×10 <sup>-1</sup>
SEBS12B	3.08×10 <sup>-1</sup>	4.71×10 <sup>-2</sup>	3.67×10 <sup>-1</sup>	5.61×10 <sup>-2</sup>	1.60×10 <sup>-1</sup>
SEBS12BY	2.02×10 <sup>-1</sup>	3.64×10 <sup>-2</sup>	2.41×10 <sup>-1</sup>	4.33×10 <sup>-2</sup>	1.60×10 <sup>-1</sup>
SEBS15BS	3.95×10 <sup>-1</sup>	5.01×10 <sup>-2</sup>	4.71×10 <sup>-1</sup>	5.97×10 <sup>-2</sup>	1.30×10 <sup>-1</sup>
SEBS15B	2.31×10 <sup>-1</sup>	3.85×10 <sup>-2</sup>	2.75×10 <sup>-1</sup>	4.58×10 <sup>-2</sup>	1.29×10 <sup>-1</sup>
SEBS15BY	1.52×10 <sup>-1</sup>	2.90×10 <sup>-2</sup>	1.81×10 <sup>-1</sup>	3.45×10 <sup>-2</sup>	1.29×10 <sup>-1</sup>
SEBS20B	1.41×10 <sup>-1</sup>	2.47×10 <sup>-2</sup>	1.68×10 <sup>-1</sup>	2.94×10 <sup>-2</sup>	9.76×10 <sup>-2</sup>
SEBS20BY	1.01×10 <sup>-1</sup>	1.95×10 <sup>-2</sup>	1.20×10 <sup>-1</sup>	2.32×10 <sup>-2</sup>	9.76×10 <sup>-2</sup>
SEBS 5WB	4.51×10 <sup>-1</sup>	7.70×10 <sup>-2</sup>	5.37×10 <sup>-1</sup>	9.17×10 <sup>-2</sup>	1.96×10 <sup>-1</sup>
SEBS 5WBY	3.25×10 <sup>-1</sup>	6.15×10 <sup>-2</sup>	3.88×10 <sup>-1</sup>	7.33×10 <sup>-2</sup>	1.96×10 <sup>-1</sup>
SEBS 7WBS	5.83×10 <sup>-1</sup>	6.96×10 <sup>-2</sup>	6.95×10 <sup>-1</sup>	8.30×10 <sup>-2</sup>	1.40×10 <sup>-1</sup>
SEBS 7WB	3.26×10 <sup>-1</sup>	5.26×10 <sup>-2</sup>	3.88×10 <sup>-1</sup>	6.27×10 <sup>-2</sup>	1.40×10 <sup>-1</sup>
SEBS 7WBY	2.26×10 <sup>-1</sup>	4.14×10 <sup>-2</sup>	2.69×10 <sup>-1</sup>	4.94×10 <sup>-2</sup>	1.40×10 <sup>-1</sup>
SEBS 9WBS	4.63×10 <sup>-1</sup>	6.05×10 <sup>-2</sup>	5.52×10 <sup>-1</sup>	7.21×10 <sup>-2</sup>	1.09×10 <sup>-1</sup>
SEBS 9WB	2.41×10 <sup>-1</sup>	4.23×10 <sup>-2</sup>	2.87×10 <sup>-1</sup>	5.04×10 <sup>-2</sup>	1.08×10 <sup>-1</sup>
SEBS 9WBY	1.71×10 <sup>-1</sup>	3.31×10 <sup>-2</sup>	2.03×10 <sup>-1</sup>	3.94×10 <sup>-2</sup>	1.08×10 <sup>-1</sup>
SEBS12WBS	3.89×10 <sup>-1</sup>	5.28×10 <sup>-2</sup>	4.64×10 <sup>-1</sup>	6.29×10 <sup>-2</sup>	8.17×10 <sup>-2</sup>
SEBS12WB	2.17×10 <sup>-1</sup>	3.81×10 <sup>-2</sup>	2.59×10 <sup>-1</sup>	4.55×10 <sup>-2</sup>	8.16×10 <sup>-2</sup>
SEBS12WBY	1.51×10 <sup>-1</sup>	2.94×10 <sup>-2</sup>	1.79×10 <sup>-1</sup>	3.50×10 <sup>-2</sup>	8.16×10 <sup>-2</sup>
SEBS15WBS	2.58×10 <sup>-1</sup>	4.06×10 <sup>-2</sup>	3.07×10 <sup>-1</sup>	4.83×10 <sup>-2</sup>	4.71×10 <sup>-2</sup>
SEBS15WB	1.63×10 <sup>-1</sup>	3.03×10 <sup>-2</sup>	1.94×10 <sup>-1</sup>	3.61×10 <sup>-2</sup>	4.71×10 <sup>-2</sup>
SEBS15WBY	1.13×10 <sup>-1</sup>	2.29×10 <sup>-2</sup>	1.35×10 <sup>-1</sup>	2.73×10 <sup>-2</sup>	4.71×10 <sup>-2</sup>

Ep<sub>1</sub>: Mp equivalent coefficient with 1 block used    Ep<sub>2</sub>: Mp equivalent coefficient with 2 blocks used in close contact  
 Ey<sub>1</sub>: My equivalent coefficient with 1 block used    Ey<sub>2</sub>: My equivalent coefficient with 2 blocks used in close contact  
 Er: Mr equivalent coefficient

Table 1-8 Slide Guide SEB and SER type

unit: 1/mm

part number	equivalent coefficient				
	Ep <sub>1</sub>	Ep <sub>2</sub>	Ey <sub>1</sub>	Ey <sub>2</sub>	Er
SEBS 2A	7.06×10 <sup>-1</sup>	1.37×10 <sup>-1</sup>	5.92×10 <sup>-1</sup>	1.15×10 <sup>-1</sup>	9.09×10 <sup>-1</sup>
SEBS 3A	9.16×10 <sup>-1</sup>	1.49×10 <sup>-1</sup>	7.69×10 <sup>-1</sup>	1.25×10 <sup>-1</sup>	6.25×10 <sup>-1</sup>
SEBS 3AY	6.02×10 <sup>-1</sup>	1.13×10 <sup>-1</sup>	5.05×10 <sup>-1</sup>	9.48×10 <sup>-2</sup>	6.25×10 <sup>-1</sup>
SEBS 5A	6.11×10 <sup>-1</sup>	1.01×10 <sup>-1</sup>	5.13×10 <sup>-1</sup>	8.46×10 <sup>-2</sup>	3.85×10 <sup>-1</sup>
SEBS 5AY	4.65×10 <sup>-1</sup>	8.45×10 <sup>-2</sup>	3.90×10 <sup>-1</sup>	7.09×10 <sup>-2</sup>	3.85×10 <sup>-1</sup>
SEBS 7A	4.62×10 <sup>-1</sup>	7.48×10 <sup>-2</sup>	3.87×10 <sup>-1</sup>	6.27×10 <sup>-2</sup>	2.74×10 <sup>-1</sup>
SEBS 7AY	2.84×10 <sup>-1</sup>	5.49×10 <sup>-2</sup>	2.38×10 <sup>-1</sup>	4.61×10 <sup>-2</sup>	2.74×10 <sup>-1</sup>
SEB(S) 9A	3.32×10 <sup>-1</sup>	5.89×10 <sup>-2</sup>	2.78×10 <sup>-1</sup>	4.94×10 <sup>-2</sup>	2.20×10 <sup>-1</sup>
SEB(S) 9AY	2.25×10 <sup>-1</sup>	4.46×10 <sup>-2</sup>	1.89×10 <sup>-1</sup>	3.74×10 <sup>-2</sup>	2.20×10 <sup>-1</sup>
SEB(S) 12A	3.08×10 <sup>-1</sup>	5.62×10 <sup>-2</sup>	2.58×10 <sup>-1</sup>	4.72×10 <sup>-2</sup>	1.60×10 <sup>-1</sup>
SEB(S) 12AY	2.02×10 <sup>-1</sup>	4.11×10 <sup>-2</sup>	1.70×10 <sup>-1</sup>	3.45×10 <sup>-2</sup>	1.60×10 <sup>-1</sup>
SEB(S) 15A	2.31×10 <sup>-1</sup>	4.30×10 <sup>-2</sup>	1.94×10 <sup>-1</sup>	3.61×10 <sup>-2</sup>	1.29×10 <sup>-1</sup>
SEB(S) 15AY	1.52×10 <sup>-1</sup>	3.12×10 <sup>-2</sup>	1.27×10 <sup>-1</sup>	2.62×10 <sup>-2</sup>	1.29×10 <sup>-1</sup>
SEB(S) 20A	1.53×10 <sup>-1</sup>	3.03×10 <sup>-2</sup>	1.28×10 <sup>-1</sup>	2.54×10 <sup>-2</sup>	9.76×10 <sup>-2</sup>
SEB(S) 20AY	1.01×10 <sup>-1</sup>	2.16×10 <sup>-2</sup>	8.44×10 <sup>-2</sup>	1.81×10 <sup>-2</sup>	9.76×10 <sup>-2</sup>
SEBS 3WA	6.74×10 <sup>-1</sup>	1.14×10 <sup>-1</sup>	5.42×10 <sup>-1</sup>	9.58×10 <sup>-2</sup>	3.23×10 <sup>-1</sup>
SEBS 3WAY	4.48×10 <sup>-1</sup>	8.78×10 <sup>-2</sup>	3.76×10 <sup>-1</sup>	7.37×10 <sup>-2</sup>	3.23×10 <sup>-1</sup>
SEBS 7WA(D)	3.26×10 <sup>-1</sup>	5.56×10 <sup>-2</sup>	2.73×10 <sup>-1</sup>	4.67×10 <sup>-2</sup>	1.40×10 <sup>-1</sup>
SEBS 7WAY	2.26×10 <sup>-1</sup>	4.32×10 <sup>-2</sup>	1.90×10 <sup>-1</sup>	3.63×10 <sup>-2</sup>	1.40×10 <sup>-1</sup>
SEB(S) 9WA(D)	2.41×10 <sup>-1</sup>	4.72×10 <sup>-2</sup>	2.02×10 <sup>-1</sup>	3.96×10 <sup>-2</sup>	1.08×10 <sup>-1</sup>
SEB(S) 9WAY	1.71×10 <sup>-1</sup>	3.58×10 <sup>-2</sup>	1.43×10 <sup>-1</sup>	3.00×10 <sup>-2</sup>	1.08×10 <sup>-1</sup>
SEB(S) 12WA	2.02×10 <sup>-1</sup>	4.13×10 <sup>-2</sup>	1.70×10 <sup>-1</sup>	3.46×10 <sup>-2</sup>	8.16×10 <sup>-2</sup>
SEB(S) 12WAY	1.43×10 <sup>-1</sup>	3.10×10 <sup>-2</sup>	1.20×10 <sup>-1</sup>	2.60×10 <sup>-2</sup>	8.16×10 <sup>-2</sup>
SEB(S) 15WA	1.63×10 <sup>-1</sup>	3.29×10 <sup>-2</sup>	1.37×10 <sup>-1</sup>	2.76×10 <sup>-2</sup>	4.71×10 <sup>-2</sup>
SEB(S) 15WAY	1.13×10 <sup>-1</sup>	2.43×10 <sup>-2</sup>	9.48×10 <sup>-2</sup>	2.04×10 <sup>-2</sup>	4.71×10 <sup>-2</sup>
SER(S) 9A	2.49×10 <sup>-1</sup>	4.15×10 <sup>-2</sup>	2.15×10 <sup>-1</sup>	3.58×10 <sup>-2</sup>	1.50×10 <sup>-1</sup>
SER(S) 12A	2.50×10 <sup>-1</sup>	4.16×10 <sup>-2</sup>	2.23×10 <sup>-1</sup>	3.71×10 <sup>-2</sup>	1.33×10 <sup>-1</sup>
SER(S) 15A	1.99×10 <sup>-1</sup>	3.32×10 <sup>-2</sup>	1.79×10 <sup>-1</sup>	2.98×10 <sup>-2</sup>	1.05×10 <sup>-1</sup>
SER(S) 20A	1.66×10 <sup>-1</sup>	2.77×10 <sup>-2</sup>	1.47×10 <sup>-1</sup>	2.45×10 <sup>-2</sup>	6.49×10 <sup>-2</sup>
SER(S) 9WA	1.52×10 <sup>-1</sup>	2.53×10 <sup>-2</sup>	1.36×10 <sup>-1</sup>	2.26×10 <sup>-2</sup>	7.17×10 <sup>-2</sup>
SER(S) 12WA	1.42×10 <sup>-1</sup>	2.36×10 <sup>-2</sup>	1.28×10 <sup>-1</sup>	2.13×10 <sup>-2</sup>	5.86×10 <sup>-2</sup>
SER(S) 15WA	1.60×10 <sup>-1</sup>	2.66×10 <sup>-2</sup>	1.45×10 <sup>-1</sup>	2.41×10 <sup>-2</sup>	4.15×10 <sup>-2</sup>

Ep<sub>1</sub>: Mp equivalent coefficient with 1 block used    Ep<sub>2</sub>: Mp equivalent coefficient with 2 blocks used in close contact  
 Ey<sub>1</sub>: My equivalent coefficient with 1 block used    Ey<sub>2</sub>: My equivalent coefficient with 2 blocks used in close contact  
 Er: Mr equivalent coefficient

Table 1-9 Slide Guide SGL, SGW type unit: 1/mm

part number	equivalent coefficient				Er
	Ep <sub>1</sub>	Ep <sub>2</sub>	Ey <sub>1</sub>	Ey <sub>2</sub>	
<b>SGL15F (E)</b>	2.57×10 <sup>-1</sup>	3.75×10 <sup>-2</sup>	2.57×10 <sup>-1</sup>	3.75×10 <sup>-2</sup>	1.28×10 <sup>-1</sup>
<b>SGL20F (E)</b>	2.06×10 <sup>-1</sup>	3.31×10 <sup>-2</sup>	2.06×10 <sup>-1</sup>	3.31×10 <sup>-2</sup>	9.31×10 <sup>-2</sup>
<b>SGL25F (E)</b>	1.72×10 <sup>-1</sup>	2.81×10 <sup>-2</sup>	1.72×10 <sup>-1</sup>	2.81×10 <sup>-2</sup>	8.31×10 <sup>-2</sup>
<b>SGL30F (E)</b>	1.47×10 <sup>-1</sup>	2.28×10 <sup>-2</sup>	1.47×10 <sup>-1</sup>	2.28×10 <sup>-2</sup>	6.88×10 <sup>-2</sup>
<b>SGL35F (E)</b>	1.29×10 <sup>-1</sup>	2.02×10 <sup>-2</sup>	1.29×10 <sup>-1</sup>	2.02×10 <sup>-2</sup>	5.45×10 <sup>-2</sup>
<b>SGL15TF (TE)</b>	1.63×10 <sup>-1</sup>	2.87×10 <sup>-2</sup>	1.63×10 <sup>-1</sup>	2.87×10 <sup>-2</sup>	1.29×10 <sup>-1</sup>
<b>SGL20TF (TE)</b>	1.41×10 <sup>-1</sup>	2.59×10 <sup>-2</sup>	1.41×10 <sup>-1</sup>	2.59×10 <sup>-2</sup>	9.28×10 <sup>-2</sup>
<b>SGL25TF (TE)</b>	1.09×10 <sup>-1</sup>	2.09×10 <sup>-2</sup>	1.09×10 <sup>-1</sup>	2.09×10 <sup>-2</sup>	8.31×10 <sup>-2</sup>
<b>SGL30TF (TE)</b>	9.32×10 <sup>-2</sup>	1.71×10 <sup>-2</sup>	9.32×10 <sup>-2</sup>	1.71×10 <sup>-2</sup>	6.87×10 <sup>-2</sup>
<b>SGL35TF (TE)</b>	8.14×10 <sup>-2</sup>	1.51×10 <sup>-2</sup>	8.14×10 <sup>-2</sup>	1.51×10 <sup>-2</sup>	5.49×10 <sup>-2</sup>
<b>SGL15HTF (HTE,HTEX)</b>	1.63×10 <sup>-1</sup>	2.87×10 <sup>-2</sup>	1.63×10 <sup>-1</sup>	2.87×10 <sup>-2</sup>	1.29×10 <sup>-1</sup>
<b>SGL20HTF (HTE,HTEX)</b>	1.22×10 <sup>-1</sup>	2.33×10 <sup>-2</sup>	1.22×10 <sup>-1</sup>	2.33×10 <sup>-2</sup>	9.29×10 <sup>-2</sup>
<b>SGL25HTF (HTE,HTEX)</b>	1.09×10 <sup>-1</sup>	2.09×10 <sup>-2</sup>	1.09×10 <sup>-1</sup>	2.09×10 <sup>-2</sup>	8.31×10 <sup>-2</sup>
<b>SGL30HTF (HTE,HTEX)</b>	9.32×10 <sup>-2</sup>	1.71×10 <sup>-2</sup>	9.32×10 <sup>-2</sup>	1.71×10 <sup>-2</sup>	6.87×10 <sup>-2</sup>
<b>SGL35HTF (HTE,HTEX)</b>	8.14×10 <sup>-2</sup>	1.51×10 <sup>-2</sup>	8.14×10 <sup>-2</sup>	1.51×10 <sup>-2</sup>	5.49×10 <sup>-2</sup>
<b>SGL15HYF (HTE,HTEX)</b>	1.08×10 <sup>-1</sup>	2.13×10 <sup>-2</sup>	1.08×10 <sup>-1</sup>	2.13×10 <sup>-2</sup>	1.28×10 <sup>-1</sup>
<b>SGL20HYF (HTE,HTEX)</b>	8.61×10 <sup>-2</sup>	1.79×10 <sup>-2</sup>	8.61×10 <sup>-2</sup>	1.79×10 <sup>-2</sup>	9.31×10 <sup>-2</sup>
<b>SGL25HYF (HTE,HTEX)</b>	7.54×10 <sup>-2</sup>	1.57×10 <sup>-2</sup>	7.54×10 <sup>-2</sup>	1.57×10 <sup>-2</sup>	8.32×10 <sup>-2</sup>
<b>SGL30HYF (HTE,HTEX)</b>	6.47×10 <sup>-2</sup>	1.30×10 <sup>-2</sup>	6.47×10 <sup>-2</sup>	1.30×10 <sup>-2</sup>	6.90×10 <sup>-2</sup>
<b>SGL35HYF (HTE,HTEX)</b>	5.65×10 <sup>-2</sup>	1.15×10 <sup>-2</sup>	5.65×10 <sup>-2</sup>	1.15×10 <sup>-2</sup>	5.46×10 <sup>-2</sup>
<b>SGL45HYF (HTE,HTEX)</b>	5.00×10 <sup>-2</sup>	1.01×10 <sup>-2</sup>	5.00×10 <sup>-2</sup>	1.01×10 <sup>-2</sup>	4.35×10 <sup>-2</sup>
<b>SGW17TF (TE)</b>	2.00×10 <sup>-1</sup>	3.28×10 <sup>-2</sup>	2.00×10 <sup>-1</sup>	3.28×10 <sup>-2</sup>	5.35×10 <sup>-2</sup>
<b>SGW21TF (TE)</b>	1.67×10 <sup>-1</sup>	2.89×10 <sup>-2</sup>	1.67×10 <sup>-1</sup>	2.89×10 <sup>-2</sup>	4.78×10 <sup>-2</sup>
<b>SGW27TF (TE)</b>	1.26×10 <sup>-1</sup>	2.31×10 <sup>-2</sup>	1.26×10 <sup>-1</sup>	2.31×10 <sup>-2</sup>	4.33×10 <sup>-2</sup>
<b>SGW35TF (TE)</b>	8.39×10 <sup>-2</sup>	1.56×10 <sup>-2</sup>	8.39×10 <sup>-2</sup>	1.56×10 <sup>-2</sup>	2.62×10 <sup>-2</sup>

Ep<sub>1</sub>: Mp equivalent coefficient with 1 block used    Ep<sub>2</sub>: Mp equivalent coefficient with 2 blocks used in close contact  
 Ey<sub>1</sub>: My equivalent coefficient with 1 block used    Ey<sub>2</sub>: My equivalent coefficient with 2 blocks used in close contact  
 Er: Mr equivalent coefficient

Table 1-10 Ball Spline · Rotary Ball Spline unit: 1/mm

part number	equivalent coefficient		E <sub>1</sub>	E <sub>2</sub>
	E <sub>1</sub>	E <sub>2</sub>		
<b>SSP 4</b>	—	—	6.19×10 <sup>-1</sup>	1.18×10 <sup>-1</sup>
<b>SSP 6</b>	<b>SPR 6</b>	—	4.47×10 <sup>-1</sup>	5.70×10 <sup>-2</sup>
<b>SSP 8</b>	<b>SPR 8</b>	—	3.88×10 <sup>-1</sup>	5.74×10 <sup>-2</sup>
<b>SSP 10</b>	<b>SPR 10</b>	—	2.82×10 <sup>-1</sup>	4.37×10 <sup>-2</sup>
<b>SSP 13A</b>	<b>SPR 13</b>	—	3.57×10 <sup>-1</sup>	4.49×10 <sup>-2</sup>
<b>SSP 16A</b>	<b>SPR 16</b>	<b>SPB 16</b>	2.43×10 <sup>-1</sup>	3.75×10 <sup>-2</sup>
<b>SSP 20A</b>	<b>SPR 20A</b>	<b>SPB 20</b>	1.48×10 <sup>-1</sup>	2.91×10 <sup>-2</sup>
<b>SSP 25A</b>	<b>SPR 25A</b>	<b>SPB 25</b>	1.37×10 <sup>-1</sup>	2.27×10 <sup>-2</sup>
<b>SSP 30A</b>	<b>SPR 30A</b>	—	1.28×10 <sup>-1</sup>	1.58×10 <sup>-2</sup>
<b>SSP 40A</b>	<b>SPR 40A</b>	—	1.05×10 <sup>-1</sup>	1.28×10 <sup>-2</sup>
<b>SSP 50A</b>	<b>SPR 50A</b>	—	9.41×10 <sup>-2</sup>	1.59×10 <sup>-2</sup>
<b>SSP 60A</b>	<b>SPR 60A</b>	—	9.02×10 <sup>-2</sup>	1.45×10 <sup>-2</sup>
<b>SSP 80</b>	—	—	6.70×10 <sup>-2</sup>	1.21×10 <sup>-2</sup>
<b>SSP 80L</b>	—	—	4.56×10 <sup>-2</sup>	9.53×10 <sup>-3</sup>
<b>SSP100</b>	—	—	5.92×10 <sup>-2</sup>	1.03×10 <sup>-2</sup>
<b>SSP100L</b>	—	—	4.06×10 <sup>-2</sup>	7.90×10 <sup>-3</sup>
<b>SSP 20</b>	<b>SPR 20</b>	—	1.79×10 <sup>-1</sup>	2.26×10 <sup>-2</sup>
<b>SSP 25</b>	<b>SPR 25</b>	—	1.55×10 <sup>-1</sup>	1.94×10 <sup>-2</sup>
<b>SSP 30</b>	<b>SPR 30</b>	—	1.28×10 <sup>-1</sup>	1.58×10 <sup>-2</sup>
<b>SSP 40</b>	<b>SPR 40</b>	—	1.05×10 <sup>-1</sup>	1.28×10 <sup>-2</sup>
<b>SSP 50</b>	<b>SPR 50</b>	—	1.07×10 <sup>-1</sup>	1.69×10 <sup>-2</sup>
<b>SSP 60</b>	<b>SPR 60</b>	—	9.77×10 <sup>-2</sup>	1.44×10 <sup>-2</sup>
<b>SPLFS 6</b>			2.68×10 <sup>-1</sup>	6.67×10 <sup>-2</sup>
<b>SPLFS 8</b>			2.57×10 <sup>-1</sup>	6.48×10 <sup>-2</sup>
<b>SPLFS 10</b>			2.09×10 <sup>-1</sup>	5.25×10 <sup>-2</sup>
<b>SPLFS 13</b>			1.96×10 <sup>-1</sup>	4.90×10 <sup>-2</sup>
<b>SPLFS 16</b>			1.59×10 <sup>-1</sup>	3.97×10 <sup>-2</sup>

E<sub>1</sub>: equivalent moment coefficient with 1 nut used  
 E<sub>2</sub>: equivalent moment coefficient with 2 nuts used in close contact

unit: 1/mm

part number	equivalent coefficient			
	Ep <sub>1</sub>	Ep <sub>2</sub>	Ey <sub>1</sub>	Ey <sub>2</sub>
<b>SSP4AM</b>	7.33×10 <sup>-1</sup>	1.31×10 <sup>-1</sup>	4.23×10 <sup>-1</sup>	7.54×10 <sup>-2</sup>
<b>SSP5AM</b>	5.53×10 <sup>-1</sup>	8.64×10 <sup>-2</sup>	4.55×10 <sup>-1</sup>	7.10×10 <sup>-2</sup>

EP<sub>1</sub>: Mp equivalent coefficient with 1 nut used  
 EP<sub>2</sub>: Mp equivalent coefficient with 2 nuts used in close contact  
 Ey<sub>1</sub>: My equivalent coefficient with 1 nut used  
 Ey<sub>2</sub>: My equivalent coefficient with 2 nuts used in close contact

Table 1-11 Slide Bush SM type unit: 1/mm

part number	equivalent coefficient	
	E <sub>1</sub>	E <sub>2</sub>
<b>SM 3</b>	1.24	2.13×10 <sup>-1</sup>
<b>SM 4</b>	1.21	1.78×10 <sup>-1</sup>
<b>SM 5</b>	8.96×10 <sup>-1</sup>	1.40×10 <sup>-1</sup>
<b>SM 6</b>	7.29×10 <sup>-1</sup>	1.09×10 <sup>-1</sup>
<b>SM 8s</b>	7.19×10 <sup>-1</sup>	1.20×10 <sup>-1</sup>
<b>SM 8</b>	5.46×10 <sup>-1</sup>	8.42×10 <sup>-2</sup>
<b>SM 10</b>	4.55×10 <sup>-1</sup>	7.02×10 <sup>-2</sup>
<b>SM 12</b>	4.32×10 <sup>-1</sup>	6.64×10 <sup>-2</sup>
<b>SM 13</b>	4.06×10 <sup>-1</sup>	6.21×10 <sup>-2</sup>
<b>SM 16</b>	3.59×10 <sup>-1</sup>	5.46×10 <sup>-2</sup>
<b>SM 20</b>	3.07×10 <sup>-1</sup>	4.70×10 <sup>-2</sup>
<b>SM 25</b>	2.17×10 <sup>-1</sup>	3.33×10 <sup>-2</sup>
<b>SM 30</b>	1.99×10 <sup>-1</sup>	3.07×10 <sup>-2</sup>
<b>SM 35</b>	1.71×10 <sup>-1</sup>	2.70×10 <sup>-2</sup>
<b>SM 40</b>	1.64×10 <sup>-1</sup>	2.51×10 <sup>-2</sup>
<b>SM 50</b>	1.20×10 <sup>-1</sup>	1.89×10 <sup>-2</sup>
<b>SM 60</b>	1.13×10 <sup>-1</sup>	1.75×10 <sup>-2</sup>
<b>SM 80</b>	8.18×10 <sup>-2</sup>	1.36×10 <sup>-2</sup>
<b>SM100</b>	6.66×10 <sup>-2</sup>	1.11×10 <sup>-2</sup>
<b>SM120</b>	5.63×10 <sup>-2</sup>	9.38×10 <sup>-3</sup>
<b>SM150</b>	4.62×10 <sup>-2</sup>	7.71×10 <sup>-3</sup>

E<sub>1</sub>: equivalent coefficient with 1 bush used  
 E<sub>2</sub>: equivalent coefficient with 2 bushes used in close contact

Table 1-12 Slide Bush SM-G-L type unit: 1/mm

part number	equivalent coefficient	
	E <sub>1</sub>	E <sub>2</sub>
<b>SM 6G-LUU</b>	4.14×10 <sup>-1</sup>	7.39×10 <sup>-2</sup>
<b>SM 8G-LUU</b>	3.17×10 <sup>-1</sup>	5.90×10 <sup>-2</sup>
<b>SM10G-LUU</b>	2.53×10 <sup>-1</sup>	4.78×10 <sup>-2</sup>
<b>SM12G-LUU</b>	2.28×10 <sup>-1</sup>	4.47×10 <sup>-2</sup>
<b>SM13G-LUU</b>	2.03×10 <sup>-1</sup>	4.03×10 <sup>-2</sup>
<b>SM16G-LUU</b>	1.78×10 <sup>-1</sup>	3.45×10 <sup>-2</sup>
<b>SM20G-LUU</b>	1.53×10 <sup>-1</sup>	3.06×10 <sup>-2</sup>
<b>SM25G-LUU</b>	1.09×10 <sup>-1</sup>	2.17×10 <sup>-2</sup>
<b>SM30G-LUU</b>	9.59×10 <sup>-2</sup>	1.97×10 <sup>-2</sup>

E<sub>1</sub>: equivalent coefficient with 1 bush used  
 E<sub>2</sub>: equivalent coefficient with 2 bushes used in close contact

Table 1-13 Slide Bush SM-W type unit : 1/mm

part number	equivalent coefficient	
	E <sub>1</sub>	E <sub>2</sub>
<b>SM 3W</b>	4.12 × 10 <sup>-1</sup>	—
<b>SM 4W</b>	4.03 × 10 <sup>-1</sup>	—
<b>SM 5W</b>	2.99 × 10 <sup>-1</sup>	—
<b>SM 6W</b>	2.43 × 10 <sup>-1</sup>	—
<b>SM 8W</b>	1.82 × 10 <sup>-1</sup>	—
<b>SM 10W</b>	1.52 × 10 <sup>-1</sup>	—
<b>SM 12W</b>	1.44 × 10 <sup>-1</sup>	—
<b>SM 13W</b>	1.35 × 10 <sup>-1</sup>	—
<b>SM 16W</b>	1.19 × 10 <sup>-1</sup>	—
<b>SM 20W</b>	1.02 × 10 <sup>-1</sup>	—
<b>SM 25W</b>	7.24 × 10 <sup>-2</sup>	—
<b>SM 30W</b>	6.63 × 10 <sup>-2</sup>	—
<b>SM 35W</b>	5.70 × 10 <sup>-2</sup>	—
<b>SM 40W</b>	5.47 × 10 <sup>-2</sup>	—
<b>SM 50W</b>	4.01 × 10 <sup>-2</sup>	—
<b>SM 60W</b>	3.77 × 10 <sup>-2</sup>	—

E1: equivalent coefficient with 1 bush used

Table 1-14 Slide Bush TRF type unit : 1/mm

part number	equivalent coefficient	
	E <sub>1</sub>	E <sub>2</sub>
<b>TRF 6</b>	6.46 × 10 <sup>-2</sup>	—
<b>TRF 8</b>	4.90 × 10 <sup>-2</sup>	—
<b>TRF10</b>	4.07 × 10 <sup>-2</sup>	—
<b>TRF12</b>	3.92 × 10 <sup>-2</sup>	—
<b>TRF13</b>	3.66 × 10 <sup>-2</sup>	—
<b>TRF16</b>	3.20 × 10 <sup>-2</sup>	—
<b>TRF20</b>	2.80 × 10 <sup>-2</sup>	—
<b>TRF25</b>	2.00 × 10 <sup>-2</sup>	—
<b>TRF30</b>	1.85 × 10 <sup>-2</sup>	—
<b>TRF35</b>	1.68 × 10 <sup>-2</sup>	—
<b>TRF40</b>	1.45 × 10 <sup>-2</sup>	—
<b>TRF50</b>	1.16 × 10 <sup>-2</sup>	—
<b>TRF60</b>	1.11 × 10 <sup>-2</sup>	—

E1: equivalent coefficient with 1 bush used

Table 1-15 Slide Bush KB type unit : 1/mm

part number	equivalent coefficient	
	E <sub>1</sub>	E <sub>2</sub>
<b>KB 3</b>	1.28	2.13 × 10 <sup>-1</sup>
<b>KB 4</b>	1.05	1.75 × 10 <sup>-1</sup>
<b>KB 5</b>	5.40 × 10 <sup>-1</sup>	9.00 × 10 <sup>-2</sup>
<b>KB 8</b>	5.61 × 10 <sup>-1</sup>	8.00 × 10 <sup>-2</sup>
<b>KB10</b>	4.21 × 10 <sup>-1</sup>	7.02 × 10 <sup>-2</sup>
<b>KB12</b>	4.02 × 10 <sup>-1</sup>	6.20 × 10 <sup>-2</sup>
<b>KB16</b>	3.77 × 10 <sup>-1</sup>	5.73 × 10 <sup>-2</sup>
<b>KB20</b>	3.29 × 10 <sup>-1</sup>	4.49 × 10 <sup>-2</sup>
<b>KB25</b>	2.14 × 10 <sup>-1</sup>	3.37 × 10 <sup>-2</sup>
<b>KB30</b>	2.08 × 10 <sup>-1</sup>	2.96 × 10 <sup>-2</sup>
<b>KB40</b>	1.64 × 10 <sup>-1</sup>	2.51 × 10 <sup>-2</sup>
<b>KB50</b>	1.20 × 10 <sup>-1</sup>	1.89 × 10 <sup>-2</sup>
<b>KB60</b>	1.21 × 10 <sup>-1</sup>	1.55 × 10 <sup>-2</sup>
<b>KB80</b>	7.34 × 10 <sup>-2</sup>	1.22 × 10 <sup>-2</sup>
<b>KB 8W</b>	1.87 × 10 <sup>-1</sup>	—
<b>KB12W</b>	1.34 × 10 <sup>-1</sup>	—
<b>KB16W</b>	1.25 × 10 <sup>-1</sup>	—
<b>KB20W</b>	1.10 × 10 <sup>-1</sup>	—
<b>KB25W</b>	7.14 × 10 <sup>-2</sup>	—
<b>KB30W</b>	6.96 × 10 <sup>-2</sup>	—
<b>KB40W</b>	5.47 × 10 <sup>-2</sup>	—
<b>KB50W</b>	4.02 × 10 <sup>-2</sup>	—
<b>KB60W</b>	4.11 × 10 <sup>-2</sup>	—

E1: equivalent coefficient with 1 bush used  
E2: equivalent coefficient with 2 bushes used in close contact

Table 1-16 TOPBALL TK type unit : 1/mm

part number	equivalent coefficient	
	E <sub>1</sub>	E <sub>2</sub>
<b>TK 8</b>	4.91 × 10 <sup>-1</sup>	8.18 × 10 <sup>-2</sup>
<b>TK10</b>	4.17 × 10 <sup>-1</sup>	6.95 × 10 <sup>-2</sup>
<b>TK12</b>	3.70 × 10 <sup>-1</sup>	6.17 × 10 <sup>-2</sup>
<b>TK16</b>	3.30 × 10 <sup>-1</sup>	5.49 × 10 <sup>-2</sup>
<b>TK20</b>	2.55 × 10 <sup>-1</sup>	4.24 × 10 <sup>-2</sup>
<b>TK25</b>	1.90 × 10 <sup>-1</sup>	3.16 × 10 <sup>-2</sup>
<b>TK30</b>	1.66 × 10 <sup>-1</sup>	2.76 × 10 <sup>-2</sup>
<b>TK40</b>	1.42 × 10 <sup>-1</sup>	2.36 × 10 <sup>-2</sup>
<b>TK50</b>	1.11 × 10 <sup>-1</sup>	1.84 × 10 <sup>-2</sup>

E1: equivalent coefficient with 1 bush used  
E2: equivalent coefficient with 2 bushes used in close contact

Table 1-17 TOPBALL TW type unit : 1/mm

part number	equivalent coefficient	
	E <sub>1</sub>	E <sub>2</sub>
<b>TW 3</b>	8.70 × 10 <sup>-1</sup>	1.45 × 10 <sup>-1</sup>
<b>TW 4</b>	6.57 × 10 <sup>-1</sup>	1.09 × 10 <sup>-1</sup>
<b>TW 6</b>	5.17 × 10 <sup>-1</sup>	8.60 × 10 <sup>-2</sup>
<b>TW 8</b>	3.55 × 10 <sup>-1</sup>	5.90 × 10 <sup>-2</sup>
<b>TW10</b>	3.00 × 10 <sup>-1</sup>	5.00 × 10 <sup>-2</sup>
<b>TW12</b>	2.66 × 10 <sup>-1</sup>	4.40 × 10 <sup>-2</sup>
<b>TW16</b>	1.90 × 10 <sup>-1</sup>	3.10 × 10 <sup>-2</sup>
<b>TW20</b>	1.66 × 10 <sup>-1</sup>	2.70 × 10 <sup>-2</sup>
<b>TW24</b>	1.44 × 10 <sup>-1</sup>	2.40 × 10 <sup>-2</sup>
<b>TW32</b>	1.08 × 10 <sup>-1</sup>	1.80 × 10 <sup>-2</sup>

E1: equivalent coefficient with 1 bush used  
E2: equivalent coefficient with 2 bushes used in close contact

Table 1-18 Slide Bush SW type unit : 1/mm

part number	equivalent coefficient	
	E <sub>1</sub>	E <sub>2</sub>
<b>SWS 2</b>	8.90 × 10 <sup>-1</sup>	1.48 × 10 <sup>-1</sup>
<b>SWS 3</b>	8.01 × 10 <sup>-1</sup>	1.33 × 10 <sup>-1</sup>
<b>SW 4</b>	7.95 × 10 <sup>-1</sup>	1.05 × 10 <sup>-1</sup>
<b>SW 6</b>	6.98 × 10 <sup>-1</sup>	9.75 × 10 <sup>-2</sup>
<b>SW 8</b>	4.09 × 10 <sup>-1</sup>	6.23 × 10 <sup>-2</sup>
<b>SW10</b>	3.54 × 10 <sup>-1</sup>	5.33 × 10 <sup>-2</sup>
<b>SW12</b>	3.10 × 10 <sup>-1</sup>	4.76 × 10 <sup>-2</sup>
<b>SW16</b>	2.29 × 10 <sup>-1</sup>	3.40 × 10 <sup>-2</sup>
<b>SW20</b>	1.94 × 10 <sup>-1</sup>	3.01 × 10 <sup>-2</sup>
<b>SW24</b>	1.69 × 10 <sup>-1</sup>	2.59 × 10 <sup>-2</sup>
<b>SW32</b>	1.19 × 10 <sup>-1</sup>	1.87 × 10 <sup>-2</sup>
<b>SW40</b>	9.23 × 10 <sup>-2</sup>	1.54 × 10 <sup>-2</sup>
<b>SW48</b>	7.84 × 10 <sup>-2</sup>	1.31 × 10 <sup>-2</sup>
<b>SW64</b>	5.47 × 10 <sup>-2</sup>	9.11 × 10 <sup>-3</sup>
<b>SW 4W</b>	2.65 × 10 <sup>-1</sup>	—
<b>SW 6W</b>	2.33 × 10 <sup>-1</sup>	—
<b>SW 8W</b>	1.37 × 10 <sup>-1</sup>	—
<b>SW10W</b>	1.18 × 10 <sup>-1</sup>	—
<b>SW12W</b>	1.03 × 10 <sup>-1</sup>	—
<b>SW16W</b>	7.62 × 10 <sup>-2</sup>	—
<b>SW20W</b>	6.47 × 10 <sup>-2</sup>	—
<b>SW24W</b>	5.62 × 10 <sup>-2</sup>	—
<b>SW32W</b>	3.98 × 10 <sup>-2</sup>	—

E1: equivalent coefficient with 1 bush used  
E2: equivalent coefficient with 2 bushes used in close contact

Table 1-19 Slide Bush GM type unit : 1/mm

part number	equivalent coefficient	
	E <sub>1</sub>	E <sub>2</sub>
<b>GM 6</b>	6.43 × 10 <sup>-1</sup>	1.08 × 10 <sup>-1</sup>
<b>GM 8</b>	4.92 × 10 <sup>-1</sup>	8.20 × 10 <sup>-2</sup>
<b>GM10</b>	4.21 × 10 <sup>-1</sup>	7.01 × 10 <sup>-2</sup>
<b>GM12</b>	3.85 × 10 <sup>-1</sup>	6.42 × 10 <sup>-2</sup>
<b>GM13</b>	3.78 × 10 <sup>-1</sup>	6.29 × 10 <sup>-2</sup>
<b>GM16</b>	3.25 × 10 <sup>-1</sup>	5.42 × 10 <sup>-2</sup>
<b>GM20</b>	2.75 × 10 <sup>-1</sup>	4.58 × 10 <sup>-2</sup>
<b>GM25</b>	1.98 × 10 <sup>-1</sup>	3.30 × 10 <sup>-2</sup>
<b>GM30</b>	1.82 × 10 <sup>-1</sup>	3.03 × 10 <sup>-2</sup>
<b>GM 6W</b>	3.54 × 10 <sup>-1</sup>	6.53 × 10 <sup>-2</sup>
<b>GM 8W</b>	2.38 × 10 <sup>-1</sup>	4.96 × 10 <sup>-2</sup>
<b>GM10W</b>	2.20 × 10 <sup>-1</sup>	4.50 × 10 <sup>-2</sup>
<b>GM12W</b>	2.07 × 10 <sup>-1</sup>	3.81 × 10 <sup>-2</sup>
<b>GM13W</b>	1.94 × 10 <sup>-1</sup>	3.76 × 10 <sup>-2</sup>
<b>GM16W</b>	1.71 × 10 <sup>-1</sup>	3.44 × 10 <sup>-2</sup>
<b>GM20W</b>	1.37 × 10 <sup>-1</sup>	2.69 × 10 <sup>-2</sup>
<b>GM25W</b>	9.03 × 10 <sup>-2</sup>	1.94 × 10 <sup>-2</sup>
<b>GM30W</b>	9.55 × 10 <sup>-2</sup>	1.78 × 10 <sup>-2</sup>

E1: equivalent coefficient with 1 bush used  
E2: equivalent coefficient with 2 bushes used in close contact

Table 1-20 Slide Rotary Bush unit : 1/mm

part number	equivalent coefficient	
	E <sub>1</sub>	E <sub>2</sub>
<b>SRE 6</b>	6.83 × 10 <sup>-1</sup>	1.14 × 10 <sup>-1</sup>
<b>SRE 8</b>	4.98 × 10 <sup>-1</sup>	8.31 × 10 <sup>-2</sup>
<b>SRE10</b>	4.12 × 10 <sup>-1</sup>	6.86 × 10 <sup>-2</sup>
<b>SRE12</b>	4.19 × 10 <sup>-1</sup>	6.98 × 10 <sup>-2</sup>
<b>SRE13</b>	3.93 × 10 <sup>-1</sup>	6.54 × 10 <sup>-2</sup>
<b>SRE16</b>	3.40 × 10 <sup>-1</sup>	5.66 × 10 <sup>-2</sup>
<b>SRE20</b>	2.90 × 10 <sup>-1</sup>	4.84 × 10 <sup>-2</sup>
<b>SRE25</b>	1.98 × 10 <sup>-1</sup>	3.29 × 10 <sup>-2</sup>
<b>SRE30</b>	1.80 × 10 <sup>-1</sup>	3.01 × 10 <sup>-2</sup>
<b>SRE40</b>	1.52 × 10 <sup>-1</sup>	2.54 × 10 <sup>-2</sup>
<b>RK12</b>	4.32 × 10 <sup>-1</sup>	6.64 × 10 <sup>-2</sup>
<b>RK16</b>	3.59 × 10 <sup>-1</sup>	5.46 × 10 <sup>-2</sup>
<b>RK20</b>	3.07 × 10 <sup>-1</sup>	4.70 × 10 <sup>-2</sup>
<b>RK25</b>	2.17 × 10 <sup>-1</sup>	3.33 × 10 <sup>-2</sup>
<b>RK30</b>	1.99 × 10 <sup>-1</sup>	3.07 × 10 <sup>-2</sup>

E1: equivalent coefficient with 1 bush used  
E2: equivalent coefficient with 2 bushes used in close contact



Table 1-21 Slide Table NVT type unit : 1/mm

part number	equivalent coefficient		
	Ep	Ey	Er
<b>NVT2035</b>	$1.51 \times 10^{-1}$	$1.74 \times 10^{-1}$	$1.12 \times 10^{-1}$
<b>NVT2050</b>	$1.62 \times 10^{-1}$	$1.63 \times 10^{-1}$	$1.45 \times 10^{-1}$
<b>NVT2065</b>	$1.25 \times 10^{-1}$	$1.29 \times 10^{-1}$	$1.32 \times 10^{-1}$
<b>NVT2080</b>	$1.15 \times 10^{-1}$	$1.14 \times 10^{-1}$	$1.54 \times 10^{-1}$
<b>NVT2095</b>	$9.51 \times 10^{-2}$	$9.56 \times 10^{-2}$	$1.43 \times 10^{-1}$
<b>NVT2110</b>	$8.81 \times 10^{-2}$	$8.63 \times 10^{-2}$	$1.57 \times 10^{-1}$
<b>NVT2125</b>	$8.22 \times 10^{-2}$	$7.88 \times 10^{-2}$	$1.69 \times 10^{-1}$
<b>NVT2140</b>	$7.13 \times 10^{-2}$	$6.94 \times 10^{-2}$	$1.59 \times 10^{-1}$
<b>NVT2155</b>	$6.48 \times 10^{-2}$	$6.26 \times 10^{-2}$	$1.69 \times 10^{-1}$
<b>NVT2170</b>	$6.10 \times 10^{-2}$	$5.81 \times 10^{-2}$	$1.76 \times 10^{-1}$
<b>NVT2185</b>	$5.77 \times 10^{-2}$	$5.42 \times 10^{-2}$	$1.82 \times 10^{-1}$
<b>NVT3055</b>	$3.41 \times 10^{-1}$	$2.17 \times 10^{-1}$	$1.97 \times 10^{-1}$
<b>NVT3080</b>	$9.64 \times 10^{-2}$	$1.02 \times 10^{-1}$	$7.86 \times 10^{-2}$
<b>NVT3105</b>	$8.55 \times 10^{-2}$	$8.67 \times 10^{-2}$	$8.90 \times 10^{-2}$
<b>NVT3130</b>	$8.00 \times 10^{-2}$	$7.57 \times 10^{-2}$	$1.16 \times 10^{-1}$
<b>NVT3155</b>	$5.56 \times 10^{-2}$	$5.59 \times 10^{-2}$	$8.78 \times 10^{-2}$
<b>NVT3180</b>	$5.12 \times 10^{-2}$	$5.08 \times 10^{-2}$	$9.25 \times 10^{-2}$
<b>NVT3205</b>	$4.76 \times 10^{-2}$	$4.66 \times 10^{-2}$	$9.65 \times 10^{-2}$
<b>NVT3230</b>	$4.45 \times 10^{-2}$	$4.31 \times 10^{-2}$	$9.99 \times 10^{-2}$
<b>NVT4085</b>	$1.01 \times 10^{-1}$	$1.08 \times 10^{-1}$	$5.63 \times 10^{-2}$
<b>NVT4125</b>	$9.48 \times 10^{-2}$	$8.81 \times 10^{-2}$	$8.72 \times 10^{-2}$
<b>NVT4165</b>	$6.01 \times 10^{-2}$	$5.97 \times 10^{-2}$	$6.56 \times 10^{-2}$
<b>NVT4205</b>	$4.34 \times 10^{-2}$	$4.39 \times 10^{-2}$	$6.03 \times 10^{-2}$
<b>NVT4245</b>	$4.06 \times 10^{-2}$	$3.97 \times 10^{-2}$	$7.11 \times 10^{-2}$
<b>NVT4285</b>	$3.30 \times 10^{-2}$	$3.28 \times 10^{-2}$	$6.38 \times 10^{-2}$
<b>NVT6110</b>	$1.74 \times 10^{-1}$	$1.24 \times 10^{-1}$	$1.10 \times 10^{-1}$
<b>NVT6160</b>	$6.02 \times 10^{-2}$	$6.08 \times 10^{-2}$	$5.66 \times 10^{-2}$
<b>NVT6210</b>	$4.82 \times 10^{-2}$	$4.75 \times 10^{-2}$	$6.63 \times 10^{-2}$
<b>NVT6260</b>	$4.21 \times 10^{-2}$	$4.06 \times 10^{-2}$	$6.85 \times 10^{-2}$
<b>NVT6310</b>	$2.95 \times 10^{-2}$	$2.99 \times 10^{-2}$	$5.28 \times 10^{-2}$
<b>NVT6360</b>	$2.70 \times 10^{-2}$	$2.70 \times 10^{-2}$	$5.53 \times 10^{-2}$
<b>NVT6410</b>	$2.53 \times 10^{-2}$	$2.46 \times 10^{-2}$	$6.37 \times 10^{-2}$
<b>NVT9210</b>	$7.51 \times 10^{-2}$	$6.05 \times 10^{-2}$	$5.66 \times 10^{-2}$
<b>NVT9310</b>	$3.26 \times 10^{-2}$	$3.25 \times 10^{-2}$	$4.00 \times 10^{-2}$
<b>NVT9410</b>	$2.36 \times 10^{-2}$	$2.34 \times 10^{-2}$	$3.84 \times 10^{-2}$
<b>NVT9510</b>	$1.82 \times 10^{-2}$	$1.83 \times 10^{-2}$	$3.34 \times 10^{-2}$

Ep: Mp equivalent coefficient Ey: My equivalent coefficient  
Er: Mr equivalent coefficient

Table 1-22 Slide Table SVT type (1) unit : 1/mm

part number	equivalent coefficient		
	Ep	Ey	Er
<b>SVT1025</b>	$2.67 \times 10^{-1}$	$3.25 \times 10^{-1}$	$1.48 \times 10^{-1}$
<b>SVT1035</b>	$3.10 \times 10^{-1}$	$2.73 \times 10^{-1}$	$1.48 \times 10^{-1}$
<b>SVT1045</b>	$1.71 \times 10^{-1}$	$1.87 \times 10^{-1}$	$1.48 \times 10^{-1}$
<b>SVT1055</b>	$1.51 \times 10^{-1}$	$1.63 \times 10^{-1}$	$1.48 \times 10^{-1}$
<b>SVT1065</b>	$1.35 \times 10^{-1}$	$1.44 \times 10^{-1}$	$1.48 \times 10^{-1}$
<b>SVT1075</b>	$1.11 \times 10^{-1}$	$1.17 \times 10^{-1}$	$1.48 \times 10^{-1}$
<b>SVT1085</b>	$1.02 \times 10^{-1}$	$1.07 \times 10^{-1}$	$1.48 \times 10^{-1}$
<b>SVT2035</b>	$1.67 \times 10^{-1}$	$2.03 \times 10^{-1}$	$1.11 \times 10^{-1}$
<b>SVT2050</b>	$1.45 \times 10^{-1}$	$1.64 \times 10^{-1}$	$1.11 \times 10^{-1}$
<b>SVT2065</b>	$1.22 \times 10^{-1}$	$1.37 \times 10^{-1}$	$1.11 \times 10^{-1}$
<b>SVT2080</b>	$1.28 \times 10^{-1}$	$1.19 \times 10^{-1}$	$1.11 \times 10^{-1}$
<b>SVT2095</b>	$1.10 \times 10^{-1}$	$1.03 \times 10^{-1}$	$1.11 \times 10^{-1}$
<b>SVT2110</b>	$7.61 \times 10^{-2}$	$8.08 \times 10^{-2}$	$1.11 \times 10^{-1}$
<b>SVT2125</b>	$6.94 \times 10^{-2}$	$7.33 \times 10^{-2}$	$1.11 \times 10^{-1}$
<b>SVT2140</b>	$7.01 \times 10^{-2}$	$6.73 \times 10^{-2}$	$1.11 \times 10^{-1}$
<b>SVT2155</b>	$6.43 \times 10^{-2}$	$6.19 \times 10^{-2}$	$1.11 \times 10^{-1}$
<b>SVT2170</b>	$5.12 \times 10^{-2}$	$5.33 \times 10^{-2}$	$1.11 \times 10^{-1}$
<b>SVT2185</b>	$4.81 \times 10^{-2}$	$4.99 \times 10^{-2}$	$1.11 \times 10^{-1}$
<b>SVT3055</b>	$2.00 \times 10^{-1}$	$1.75 \times 10^{-1}$	$7.14 \times 10^{-2}$
<b>SVT3080</b>	$1.22 \times 10^{-1}$	$1.12 \times 10^{-1}$	$7.14 \times 10^{-2}$
<b>SVT3105</b>	$7.53 \times 10^{-2}$	$8.14 \times 10^{-2}$	$7.14 \times 10^{-2}$
<b>SVT3130</b>	$6.08 \times 10^{-2}$	$6.47 \times 10^{-2}$	$7.14 \times 10^{-2}$
<b>SVT3155</b>	$6.17 \times 10^{-2}$	$5.89 \times 10^{-2}$	$7.14 \times 10^{-2}$
<b>SVT3180</b>	$5.15 \times 10^{-2}$	$4.96 \times 10^{-2}$	$7.14 \times 10^{-2}$
<b>SVT3205</b>	$4.75 \times 10^{-2}$	$4.59 \times 10^{-2}$	$7.14 \times 10^{-2}$
<b>SVT3230</b>	$3.85 \times 10^{-2}$	$3.99 \times 10^{-2}$	$7.14 \times 10^{-2}$
<b>SVT3255</b>	$3.87 \times 10^{-2}$	$3.76 \times 10^{-2}$	$7.14 \times 10^{-2}$
<b>SVT3280</b>	$3.64 \times 10^{-2}$	$3.54 \times 10^{-2}$	$7.14 \times 10^{-2}$

Ep: Mp equivalent coefficient Ey: My equivalent coefficient  
Er: Mr equivalent coefficient

Table 1-23 Slide Table SVT type (2) unit : 1/mm

part number	equivalent coefficient		
	Ep	Ey	Er
<b>SVT3305</b>	$3.09 \times 10^{-2}$	$3.18 \times 10^{-2}$	$7.14 \times 10^{-2}$
<b>SVT4085</b>	$8.29 \times 10^{-2}$	$9.38 \times 10^{-2}$	$5.00 \times 10^{-2}$
<b>SVT4125</b>	$6.11 \times 10^{-2}$	$6.67 \times 10^{-2}$	$5.00 \times 10^{-2}$
<b>SVT4165</b>	$6.27 \times 10^{-2}$	$5.88 \times 10^{-2}$	$5.00 \times 10^{-2}$
<b>SVT4205</b>	$4.89 \times 10^{-2}$	$4.65 \times 10^{-2}$	$5.00 \times 10^{-2}$
<b>SVT4245</b>	$4.01 \times 10^{-2}$	$3.85 \times 10^{-2}$	$5.00 \times 10^{-2}$
<b>SVT4285</b>	$3.39 \times 10^{-2}$	$3.28 \times 10^{-2}$	$5.00 \times 10^{-2}$
<b>SVT4325</b>	$2.94 \times 10^{-2}$	$2.86 \times 10^{-2}$	$5.00 \times 10^{-2}$
<b>SVT4365</b>	$2.60 \times 10^{-2}$	$2.53 \times 10^{-2}$	$5.00 \times 10^{-2}$
<b>SVT4405</b>	$2.20 \times 10^{-2}$	$2.27 \times 10^{-2}$	$5.00 \times 10^{-2}$
<b>SVT6110</b>	$6.83 \times 10^{-2}$	$7.72 \times 10^{-2}$	$4.44 \times 10^{-2}$
<b>SVT6160</b>	$5.03 \times 10^{-2}$	$5.49 \times 10^{-2}$	$4.44 \times 10^{-2}$
<b>SVT6210</b>	$3.97 \times 10^{-2}$	$4.24 \times 10^{-2}$	$4.44 \times 10^{-2}$
<b>SVT6260</b>	$3.27 \times 10^{-2}$	$3.45 \times 10^{-2}$	$4.44 \times 10^{-2}$
<b>SVT6310</b>	$2.78 \times 10^{-2}$	$2.90 \times 10^{-2}$	$4.44 \times 10^{-2}$
<b>SVT6360</b>	$2.79 \times 10^{-2}$	$2.70 \times 10^{-2}$	$4.44 \times 10^{-2}$
<b>SVT6410</b>	$2.42 \times 10^{-2}$	$2.35 \times 10^{-2}$	$4.44 \times 10^{-2}$
<b>SVT6460</b>	$2.14 \times 10^{-2}$	$2.08 \times 10^{-2}$	$4.44 \times 10^{-2}$
<b>SVT6510</b>	$1.92 \times 10^{-2}$	$1.87 \times 10^{-2}$	$4.44 \times 10^{-2}$
<b>SVT9210</b>	$3.50 \times 10^{-2}$	$3.90 \times 10^{-2}$	$2.78 \times 10^{-2}$
<b>SVT9310</b>	$3.14 \times 10^{-2}$	$2.94 \times 10^{-2}$	$2.78 \times 10^{-2}$
<b>SVT9410</b>	$2.41 \times 10^{-2}$	$2.57 \times 10^{-2}$	$2.78 \times 10^{-2}$
<b>SVT9510</b>	$1.98 \times 10^{-2}$	$2.09 \times 10^{-2}$	$2.78 \times 10^{-2}$
<b>SVT9610</b>	$2.00 \times 10^{-2}$	$1.92 \times 10^{-2}$	$2.78 \times 10^{-2}$
<b>SVT9710</b>	$1.70 \times 10^{-2}$	$1.64 \times 10^{-2}$	$2.78 \times 10^{-2}$
<b>SVT9810</b>	$1.37 \times 10^{-2}$	$1.42 \times 10^{-2}$	$2.78 \times 10^{-2}$
<b>SVT9910</b>	$1.22 \times 10^{-2}$	$1.26 \times 10^{-2}$	$2.78 \times 10^{-2}$
<b>SVT91010</b>	$1.10 \times 10^{-2}$	$1.13 \times 10^{-2}$	$2.78 \times 10^{-2}$

Ep: Mp equivalent coefficient Ey: My equivalent coefficient  
Er: Mr equivalent coefficient

Table 1-24 Slide Table SYT type unit : 1/mm

part number	equivalent coefficient		
	Ep	Ey	Er
<b>SYT1025</b>	$2.67 \times 10^{-1}$	$3.25 \times 10^{-1}$	$2.67 \times 10^{-1}$
<b>SYT1035</b>	$3.10 \times 10^{-1}$	$2.73 \times 10^{-1}$	$2.67 \times 10^{-1}$
<b>SYT1045</b>	$1.71 \times 10^{-1}$	$1.87 \times 10^{-1}$	$2.67 \times 10^{-1}$
<b>SYT1055</b>	$1.51 \times 10^{-1}$	$1.63 \times 10^{-1}$	$2.67 \times 10^{-1}$
<b>SYT1065</b>	$1.35 \times 10^{-1}$	$1.44 \times 10^{-1}$	$2.67 \times 10^{-1}$
<b>SYT1075</b>	$1.11 \times 10^{-1}$	$1.17 \times 10^{-1}$	$2.67 \times 10^{-1}$
<b>SYT1085</b>	$1.02 \times 10^{-1}$	$1.07 \times 10^{-1}$	$2.67 \times 10^{-1}$
<b>SYT2035</b>	$1.67 \times 10^{-1}$	$2.03 \times 10^{-1}$	$1.54 \times 10^{-1}$
<b>SYT2050</b>	$1.45 \times 10^{-1}$	$1.64 \times 10^{-1}$	$1.54 \times 10^{-1}$
<b>SYT2065</b>	$1.22 \times 10^{-1}$	$1.37 \times 10^{-1}$	$1.54 \times 10^{-1}$
<b>SYT2080</b>	$1.28 \times 10^{-1}$	$1.19 \times 10^{-1}$	$1.54 \times 10^{-1}$
<b>SYT2095</b>	$1.10 \times 10^{-1}$	$1.03 \times 10^{-1}$	$1.54 \times 10^{-1}$
<b>SYT2110</b>	$7.61 \times 10^{-2}$	$8.08 \times 10^{-2}$	$1.54 \times 10^{-1}$
<b>SYT2125</b>	$6.94 \times 10^{-2}$	$7.33 \times 10^{-2}$	$1.54 \times 10^{-1}$
<b>SYT3055</b>	$2.00 \times 10^{-1}$	$1.75 \times 10^{-1}$	$1.15 \times 10^{-1}$
<b>SYT3080</b>	$1.22 \times 10^{-1}$	$1.12 \times 10^{-1}$	$1.15 \times 10^{-1}$
<b>SYT3105</b>	$7.53 \times 10^{-2}$	$8.14 \times 10^{-2}$	$1.15 \times 10^{-1}$
<b>SYT3130</b>	$6.08 \times 10^{-2}$	$6.47 \times 10^{-2}$	$1.15 \times 10^{-1}$
<b>SYT3155</b>	$6.17 \times 10^{-2}$	$5.89 \times 10^{-2}$	$1.15 \times 10^{-1}$
<b>SYT3180</b>	$5.15 \times 10^{-2}$	$4.96 \times 10^{-2}$	$1.15 \times 10^{-1}$
<b>SYT3205</b>	$4.75 \times 10^{-2}$	$4.59 \times 10^{-2}$	$1.15 \times 10^{-1}$

Ep: Mp equivalent coefficient Ey: My equivalent coefficient  
Er: Mr equivalent coefficient

Table 1-25 Miniature Slide SYBS type unit : 1/mm

part number	equivalent coefficient		
	Ep	Ey	Er
<b>SYBS 6-13</b>	$8.35 \times 10^{-1}$	$7.01 \times 10^{-1}$	$8.51 \times 10^{-1}$
<b>SYBS 6-21</b>	$5.45 \times 10^{-1}$	$4.57 \times 10^{-1}$	$8.51 \times 10^{-1}$
<b>SYBS 8-11</b>	$8.82 \times 10^{-1}$	$7.40 \times 10^{-1}$	$5.88 \times 10^{-1}$
<b>SYBS 8-21</b>	$4.81 \times 10^{-1}$	$4.04 \times 10^{-1}$	$5.88 \times 10^{-1}$
<b>SYBS 8-31</b>	$3.57 \times 10^{-1}$	$2.99 \times 10^{-1}$	$5.88 \times 10^{-1}$
<b>SYBS12-23</b>	$4.31 \times 10^{-1}$	$3.62 \times 10^{-1}$	$3.13 \times 10^{-1}$
<b>SYBS12-31</b>	$3.57 \times 10^{-1}$	$2.99 \times 10^{-1}$	$3.13 \times 10^{-1}$
<b>SYBS12-46</b>	$2.35 \times 10^{-1}$	$1.97 \times 10^{-1}$	$3.13 \times 10^{-1}$
<b>SYBS17-23</b>	$4.25 \times 10^{-1}$	$3.57 \times 10^{-1}$	$2.67 \times 10^{-1}$
<b>SYBS17-31</b>	$3.26 \times 10^{-1}$	$2.74 \times 10^{-1}$	$2.66 \times 10^{-1}$
<b>SYBS17-46</b>	$2.23 \times 10^{-1}$	$1.88 \times 10^{-1}$	$2.66 \times 10^{-1}$

Ep: Mp equivalent coefficient Ey: My equivalent coefficient  
Er: Mr equivalent coefficient

**Average Applied Load**

The load applied to a linear system generally varies with the travel distance depending on how the system is operated. This includes the start/stop processes of the reciprocating motion and work on the system. The average applied load is used to compute the life corresponding to the actual application conditions.

①When the load varies in a step manner with the travel distance (Figure 1-7).

- $l_1$  is the travel distance under load  $P_1$
- $l_2$  is the travel distance under load  $P_2$
- ⋮
- $l_n$  is the travel distance under load  $P_n$

The average applied load  $P_m$  is obtained by the following equation.

$$P_m = \sqrt[3]{\frac{1}{l} (P_1^3 l_1 + P_2^3 l_2 + \dots + P_n^3 l_n)} \dots (10)$$

$P_m$ : average applied load (N)     $l$ : total travel distance (m)

②When the applied load varies linearly with the travel distance (Figure 1-8), the average applied load  $P_m$  is approximated by the following equation.

$$P_m \doteq \frac{1}{3} (P_{min} + 2P_{max}) \dots (11)$$

$P_{min}$ : minimum applied load (N)  
 $P_{max}$ : maximum applied load (N)

③When the applied load draws a sine-curve as shown by Figures 1-9 (a) and (b), the average applied load  $P_m$  is approximated by the following equations.

Figure 1-9 (a)  $P_m \doteq 0.65P_{max} \dots (12)$

Figure 1-9 (b)  $P_m \doteq 0.75P_{max} \dots (13)$

Figure 1-7 Applied Load Varies Stepwise

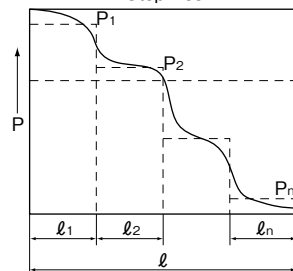


Figure 1-8 Applied Load Varies Linearly

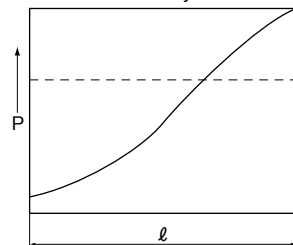
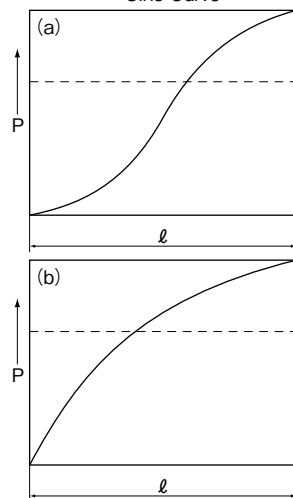


Figure 1-9 Applied Load Varies Sine-Curve



**RATED LIFE CALCULATION EXAMPLE 1**

**2 Horizontal Axes, 2 Blocks each, Considering Acceleration/Deceleration**

**Operating Conditions**

- part number: SGL15F/E
- basic dynamic load rating  $C=7.29\text{kN}$
- basic static load rating  $C_0=9.45\text{kN}$
- guide block span:  $L_{unit}=100\text{mm}$
- guide rail span:  $L_{rail}=100\text{mm}$
- drive:  $Y_d=10\text{mm}$
- $Z_d=-10\text{mm}$
- mass:  $m_1=30\text{kg}$      $X_1=15\text{mm}$
- $Y_1=-20\text{mm}$
- $Z_1=20\text{mm}$
- $m_2=15\text{kg}$      $X_2=80\text{mm}$
- $Y_2=50\text{mm}$
- $Z_2=100\text{mm}$
- velocity:  $V_{max}=200\text{mm/s}$
- time:  $t_1=0.2\text{s}$
- $t_2=3.3\text{s}$
- $t_3=0.2\text{s}$
- acceleration:  $a_1=1.0\text{m/s}^2$
- $a_3=1.0\text{m/s}^2$
- stroke:  $l_s=700\text{mm}$
- number of cycles per minute:  $n_1=8\text{cpm}$

Figure 1-10

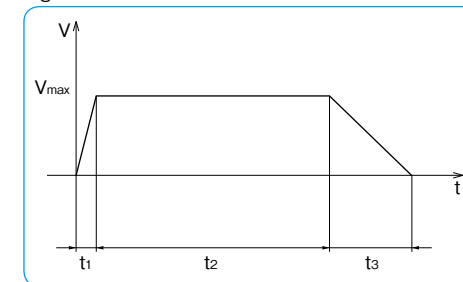
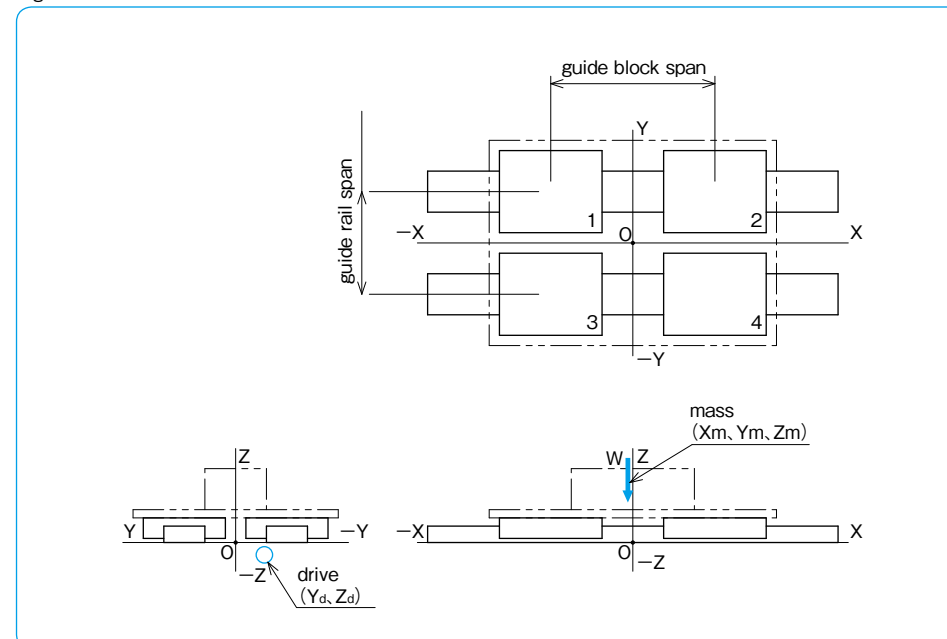


Figure 1-11



In case that some external force is applied to the system, please refer to "Slide Guide Travel Life Calculation Program" at NB website.

① Calculating Moment Applied to the Unit

<acceleration>

pitching  $M_{a1} = m \cdot g \cdot X_m - m \cdot a_1 \cdot (Z_m - Z_d)$

$M_{a1} = 30 \times 9.8 \times (15) - 30 \times 1 \times \{(20) - (-10)\} + 15 \times 9.8 \times (80) - 15 \times 1 \times \{(100) - (-10)\} = 13620 \text{ N} \cdot \text{mm}$

yawing  $M_{a2} = -m \cdot a_1 \cdot (Y_m - Y_d)$

$M_{a2} = -30 \times 1 \times \{(-20) - (10)\} - 15 \times 1 \times \{(50) - (10)\} = 300 \text{ N} \cdot \text{mm}$

rolling  $M_{a3} = m \cdot g \cdot Y_m$

$M_{a3} = 30 \times 9.8 \times (-20) + 15 \times 9.8 \times (50) = 1470 \text{ N} \cdot \text{mm}$

<constant>

pitching  $M_1 = m \cdot g \cdot X_m$

$M_1 = 30 \times 9.8 \times (15) + 15 \times 9.8 \times (80) = 16170 \text{ N} \cdot \text{mm}$

yawing  $M_2 = 0$

rolling  $M_3 = m \cdot g \cdot Y_m$

$M_3 = 30 \times 9.8 \times (-20) + 15 \times 9.8 \times (50) = 1470 \text{ N} \cdot \text{mm}$

<deceleration>

pitching  $M_{d1} = m \cdot g \cdot X_m + m \cdot a_3 \cdot (Z_m - Z_d)$

$M_{d1} = 30 \times 9.8 \times (15) + 30 \times 1 \times \{(20) - (-10)\} + 15 \times 9.8 \times (80) + 15 \times 1 \times \{(100) - (-10)\} = 18720 \text{ N} \cdot \text{mm}$

yawing  $M_{d2} = m \cdot a_3 \cdot (Y_m - Y_d)$

$M_{d2} = 30 \times 1 \times \{(-20) - (10)\} + 15 \times 1 \times \{(50) - (10)\} = -300 \text{ N} \cdot \text{mm}$

rolling  $M_{d3} = m \cdot g \cdot Y_m$

$M_{d3} = 30 \times 9.8 \times (-20) + 15 \times 9.8 \times (50) = 1470 \text{ N} \cdot \text{mm}$

② Calculating Load Applied to the Guide Block

<acceleration>

Block 1

vertical direction  $F_{ra1} = \frac{m \cdot g}{4} - \frac{M_{a1}}{2 \cdot L_{unit}} + \frac{M_{a3}}{2 \cdot L_{rail}}$

$F_{ra1} = \frac{30 \times 9.8}{4} + \frac{15 \times 9.8}{4} - \frac{13620}{2 \times 100} + \frac{1470}{2 \times 100} = 49.5 \text{ N}$

horizontal direction  $F_{sa1} = \frac{M_{a2}}{2 \cdot L_{unit}}$

$F_{sa1} = \frac{300}{2 \times 100} = 1.5 \text{ N}$

Block 2

vertical direction  $F_{ra2} = \frac{m \cdot g}{4} + \frac{M_{a1}}{2 \cdot L_{unit}} + \frac{M_{a3}}{2 \cdot L_{rail}}$

$F_{ra2} = \frac{30 \times 9.8}{4} + \frac{15 \times 9.8}{4} + \frac{13620}{2 \times 100} + \frac{1470}{2 \times 100} = 185.7 \text{ N}$

horizontal direction  $F_{sa2} = -\frac{M_{a2}}{2 \cdot L_{unit}}$

$F_{sa2} = -\frac{300}{2 \times 100} = -1.5 \text{ N}$

Block 3

vertical direction  $F_{ra3} = \frac{m \cdot g}{4} - \frac{M_{a1}}{2 \cdot L_{unit}} - \frac{M_{a3}}{2 \cdot L_{rail}}$

$F_{ra3} = \frac{30 \times 9.8}{4} + \frac{15 \times 9.8}{4} - \frac{13620}{2 \times 100} - \frac{1470}{2 \times 100} = 34.8 \text{ N}$

horizontal direction  $F_{sa3} = \frac{M_{a2}}{2 \cdot L_{unit}}$

$F_{sa3} = \frac{300}{2 \times 100} = 1.5 \text{ N}$

Block 4

vertical direction  $F_{ra4} = \frac{m \cdot g}{4} + \frac{M_{a1}}{2 \cdot L_{unit}} - \frac{M_{a3}}{2 \cdot L_{rail}}$

$F_{ra4} = \frac{30 \times 9.8}{4} + \frac{15 \times 9.8}{4} + \frac{13620}{2 \times 100} - \frac{1470}{2 \times 100} = 171.0 \text{ N}$

horizontal direction  $F_{sa4} = -\frac{M_{a2}}{2 \cdot L_{unit}}$

$F_{sa4} = -\frac{300}{2 \times 100} = -1.5 \text{ N}$

<constant>

Block 1

vertical direction  $F_{r1} = \frac{m \cdot g}{4} - \frac{M_1}{2 \cdot L_{unit}} + \frac{M_3}{2 \cdot L_{rail}}$

$F_{r1} = \frac{30 \times 9.8}{4} + \frac{15 \times 9.8}{4} - \frac{16170}{2 \times 100} + \frac{1470}{2 \times 100} = 36.8 \text{ N}$

horizontal direction  $F_{s1} = \frac{M_2}{2 \cdot L_{unit}}$

Block 2

vertical direction  $F_{r2} = \frac{m \cdot g}{4} + \frac{M_1}{2 \cdot L_{unit}} + \frac{M_3}{2 \cdot L_{rail}}$

$F_{r2} = \frac{30 \times 9.8}{4} + \frac{15 \times 9.8}{4} + \frac{16170}{2 \times 100} + \frac{1470}{2 \times 100} = 198.5 \text{ N}$

horizontal direction  $F_{s2} = -\frac{M_2}{2 \cdot L_{unit}}$

Block 3

vertical direction  $F_{r3} = \frac{m \cdot g}{4} - \frac{M_1}{2 \cdot L_{unit}} - \frac{M_3}{2 \cdot L_{rail}}$

$F_{r3} = \frac{30 \times 9.8}{4} + \frac{15 \times 9.8}{4} - \frac{16170}{2 \times 100} - \frac{1470}{2 \times 100} = 22.1 \text{ N}$

horizontal direction  $F_{s3} = \frac{M_2}{2 \cdot L_{unit}}$

Block 4

vertical direction  $F_{r4} = \frac{m \cdot g}{4} + \frac{M_1}{2 \cdot L_{unit}} - \frac{M_3}{2 \cdot L_{rail}}$

$F_{r4} = \frac{30 \times 9.8}{4} + \frac{15 \times 9.8}{4} + \frac{16170}{2 \times 100} - \frac{1470}{2 \times 100} = 183.8 \text{ N}$

horizontal direction  $F_{s4} = -\frac{M_2}{2 \cdot L_{unit}}$

(deceleration)

Block 1

vertical direction  $F_{rd1} = \frac{m \cdot g}{4} - \frac{Md_1}{2 \cdot L_{unit}} + \frac{Md_3}{2 \cdot L_{rail}}$   
 $F_{rd1} = \frac{30 \times 9.8}{4} + \frac{15 \times 9.8}{4} - \frac{18720}{2 \times 100} + \frac{1470}{2 \times 100} = 24.0N$

horizontal direction  $F_{sd1} = \frac{Md_2}{2 \cdot L_{unit}}$   
 $F_{sd1} = \frac{-300}{2 \times 100} = -1.5N$

Block 2

vertical direction  $F_{rd2} = \frac{m \cdot g}{4} + \frac{Md_1}{2 \cdot L_{unit}} + \frac{Md_3}{2 \cdot L_{rail}}$   
 $F_{rd2} = \frac{30 \times 9.8}{4} + \frac{15 \times 9.8}{4} + \frac{18720}{2 \times 100} + \frac{1470}{2 \times 100} = 211.2N$

horizontal direction  $F_{sd2} = -\frac{Md_2}{2 \cdot L_{unit}}$   
 $F_{sd2} = -\frac{-300}{2 \times 100} = 1.5N$

Block 3

vertical direction  $F_{rd3} = \frac{m \cdot g}{4} - \frac{Md_1}{2 \cdot L_{unit}} - \frac{Md_3}{2 \cdot L_{rail}}$   
 $F_{rd3} = \frac{30 \times 9.8}{4} + \frac{15 \times 9.8}{4} - \frac{18720}{2 \times 100} - \frac{1470}{2 \times 100} = 9.3N$

horizontal direction  $F_{sd3} = \frac{Md_2}{2 \cdot L_{unit}}$   
 $F_{sd3} = \frac{-300}{2 \times 100} = -1.5N$

Block 4

vertical direction  $F_{rd4} = \frac{m \cdot g}{4} + \frac{Md_1}{2 \cdot L_{unit}} - \frac{Md_3}{2 \cdot L_{rail}}$   
 $F_{rd4} = \frac{30 \times 9.8}{4} + \frac{15 \times 9.8}{4} + \frac{18720}{2 \times 100} - \frac{1470}{2 \times 100} = 196.5N$

horizontal direction  $F_{sd4} = -\frac{Md_2}{2 \cdot L_{unit}}$   
 $F_{sd4} = -\frac{-300}{2 \times 100} = 1.5N$

### ③ Calculating Equivalent Load

©Pr in the vertical direction and Ps in the horizontal direction are calculated by the following equations.

$Pr = |Fr|$   
 $Ps = |k \cdot Fs|$       k=1 for SGL guide

Table 1-26

	acceleration	constant	deceleration
block 1	Pra1=49.5	Pr1=36.8	Prd1=24.0
	PsA1=1.5	Ps1=0	Psd1=1.5
block 2	Pra2=185.7	Pr2=198.5	Prd2=211.2
	PsA2=1.5	Ps2=0	Psd2=1.5
block 3	Pra3=34.8	Pr3=22.1	Prd3=9.3
	PsA3=1.5	Ps3=0	Psd3=1.5
block 4	Pra4=171.0	Pr4=183.8	Prd4=196.5
	PsA4=1.5	Ps4=0	Psd4=1.5

©Equation for Dynamic Equivalent Load

$P = Pr + Ps$

Pa1=PrA1+PsA1=49.5+1.5=51.0 (N)  
 calculating in the same manner

Table 1-27

	acceleration	constant	deceleration
block 1	Pa1=51.0	P1=36.8	Pd1=25.5
block 2	Pa2=187.2	P2=198.5	Pd2=212.7
block 3	Pa3=36.3	P3=22.1	Pd3=10.8
block 4	Pa4=172.5	P4=183.8	Pd4=198.0

©Calculating Average Equivalent Load

$P_m = \sqrt[3]{\frac{1}{L_s} \times \left\{ (Pa^3 \times \frac{V_{max} \times t_1}{2}) + (P^3 \times V_{max} \times t_2) + (Pd^3 \times \frac{V_{max} \times t_3}{2}) \right\}}$

$P_{m1} = \sqrt[3]{\frac{1}{700} \times \left\{ (51.0^3 \times \frac{200 \times 0.2}{2}) + (36.8^3 \times 200 \times 3.3) + (25.5^3 \times \frac{200 \times 0.2}{2}) \right\}} = 37.1(N)$

$P_{m2} = \sqrt[3]{\frac{1}{700} \times \left\{ (187.2^3 \times \frac{200 \times 0.2}{2}) + (198.5^3 \times 200 \times 3.3) + (212.7^3 \times \frac{200 \times 0.2}{2}) \right\}} = 198.6(N)$

$P_{m3} = \sqrt[3]{\frac{1}{700} \times \left\{ (36.3^3 \times \frac{200 \times 0.2}{2}) + (22.1^3 \times 200 \times 3.3) + (10.8^3 \times \frac{200 \times 0.2}{2}) \right\}} = 22.6(N)$

$P_{m4} = \sqrt[3]{\frac{1}{700} \times \left\{ (172.5^3 \times \frac{200 \times 0.2}{2}) + (183.8^3 \times 200 \times 3.3) + (198.0^3 \times \frac{200 \times 0.2}{2}) \right\}} = 183.9(N)$

### ④ Calculating Rated Life

Decide each coefficient

fH : hardness coefficient    fH=1 for hardness of guide is 58HRC or more

fT : temperature coefficient    fT=1 operating temperature is below 100°C (80°C is maximum for SGL guide)

fC : contact coefficient    fC=1 for blocks are not in close contact

fW : applied load coefficient    fW=1.5 for Vmax=200mm/s

©Calculating Rated Life

Selecting Block 2 that carries the maximum dynamic equivalent load

$L = \left( \frac{f_H \times f_T \times f_C}{f_W} \times \frac{C}{P_m} \right)^3 \times 50$

$L = \left( \frac{1 \times 1 \times 1}{1.5} \times \frac{7290}{198.6} \right)^3 \times 50 = 732725(km)$

©Calculating Life Time

$L_h = \frac{L \times 10^3}{2 \times l_s \times n_1 \times 60}$

$L_h = \frac{732725 \times 10^3}{2 \times 0.7 \times 8 \times 60} = 1090364(hour)$

⑤ Calculating Static Safety Factor

◎ Equation for Static Equivalent Load

$$P_o = P_r + P_s$$

$P_{oa1} = P_{ra1} + P_{sa1} = 49.5 + 1.5 = 51.0$  (N)  
calculating in the same manner

Table 1-28

	acceleration	constant	deceleration
block 1	$P_{oa1} = 51.0$	$P_{o1} = 36.8$	$P_{od1} = 25.5$
block 2	$P_{oa2} = 187.2$	$P_{o2} = 198.5$	$P_{od2} = 212.7$
block 3	$P_{oa3} = 36.3$	$P_{o3} = 22.1$	$P_{od3} = 10.8$
block 4	$P_{oa4} = 172.5$	$P_{o4} = 183.8$	$P_{od4} = 198.0$

Selecting Block 2 that carries the maximum static equivalent load

$$f_s = \frac{C_o}{P_o}$$

$$f_s = \frac{C_o}{P_{od2}} = \frac{9450}{212.7} = 44$$

RATED LIFE CALCULATION EXAMPLE 2

1 Horizontal Axis, 2 Blocks, Considering Acceleration/Deceleration

Operating Conditions

part number: SEB9A

basic dynamic load rating  $C = 1.92\text{kN}$

basic static load rating  $C_o = 2.53\text{kN}$

guide block span:  $L_{unit} = 70\text{mm}$

drive:  $Y_d = 30\text{mm}$

$Z_d = -10\text{mm}$

mass:  $m_1 = 5\text{kg}$

$X_1 = 0\text{mm}$

$Y_1 = 0\text{mm}$

$Z_1 = 10\text{mm}$

$m_2 = 20\text{kg}$

$X_2 = -20\text{mm}$

$Y_2 = -10\text{mm}$

$Z_2 = 20\text{mm}$

velocity:  $V_{max} = 150\text{mm/s}$

time:  $t_1 = 0.1\text{s}$

$t_2 = 1.9\text{s}$

$t_3 = 0.1\text{s}$

acceleration:  $a_1 = 1.5\text{m/s}^2$

$a_3 = 1.5\text{m/s}^2$

stroke:  $l_s = 300\text{mm}$

number of cycles per minute:  $n_1 = 14\text{cpm}$

Figure 1-12

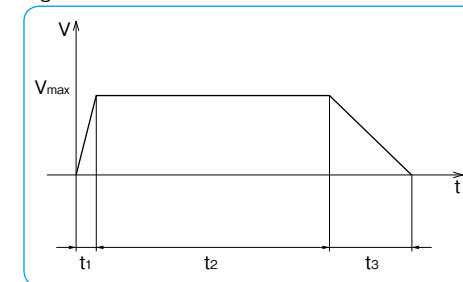
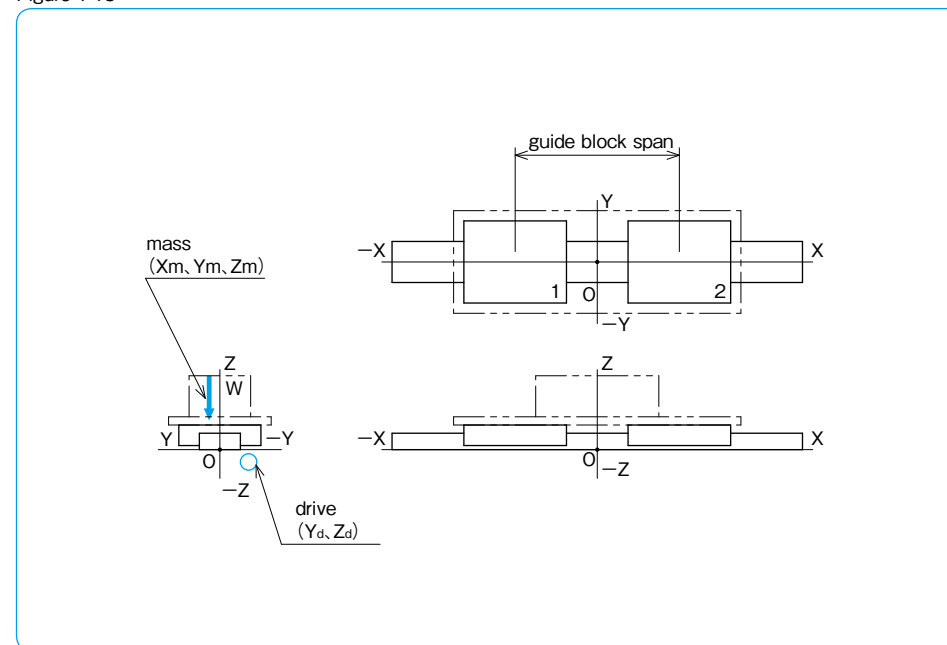


Figure 1-13



## ① Calculating Moment Applied to the Unit

&lt;acceleration&gt;

pitching  $Ma_1 = m \cdot g \cdot Xm - m \cdot a_1 \cdot (Zm - Zd)$

$$Ma_1 = 5 \times 9.8 \times (0) - 5 \times 1.5 \times \{(10) - (-10)\} + 20 \times 9.8 \times (-20) - 20 \times 1.5 \times \{(20) - (-10)\} = -4970 \text{ N} \cdot \text{mm}$$

yawing  $Ma_2 = -m \cdot a_1 \cdot (Ym - Yd)$

$$Ma_2 = -5 \times 1.5 \times \{(0) - (-30)\} - 20 \times 1.5 \times \{(-10) - (-30)\} = -825 \text{ N} \cdot \text{mm}$$

rolling  $Ma_3 = m \cdot g \cdot Ym$

$$Ma_3 = 5 \times 9.8 \times (0) + 20 \times 9.8 \times (-10) = -1960 \text{ N} \cdot \text{mm}$$

&lt;constant&gt;

pitching  $M_1 = m \cdot g \cdot Xm$

$$M_1 = 5 \times 9.8 \times (0) + 20 \times 9.8 \times (-20) = -3920 \text{ N} \cdot \text{mm}$$

yawing  $M_2 = 0$

$$M_2 = 0 \text{ N} \cdot \text{mm}$$

rolling  $M_3 = m \cdot g \cdot Ym$

$$M_3 = 5 \times 9.8 \times (0) + 20 \times 9.8 \times (-10) = -1960 \text{ N} \cdot \text{mm}$$

&lt;deceleration&gt;

pitching  $Md_1 = m \cdot g \cdot Xm + m \cdot a_3 \cdot (Zm - Zd)$

$$Md_1 = 5 \times 9.8 \times (0) + 5 \times 1.5 \times \{(10) - (-10)\} + 20 \times 9.8 \times (-20) + 20 \times 1.5 \times \{(20) - (-10)\} = -2870 \text{ N} \cdot \text{mm}$$

yawing  $Md_2 = m \cdot a_3 \cdot (Ym - Yd)$

$$Md_2 = 5 \times 1.5 \times \{(0) - (-30)\} + 20 \times 1.5 \times \{(-10) - (-30)\} = 825 \text{ N} \cdot \text{mm}$$

rolling  $Md_3 = m \cdot g \cdot Ym$

$$Md_3 = 5 \times 9.8 \times (0) + 20 \times 9.8 \times (-10) = -1960 \text{ N} \cdot \text{mm}$$

## ② Calculating Load Applied to the Guide Block

&lt;acceleration&gt;

Block 1

vertical direction  $Fra_1 = \frac{m \cdot g}{2} - \frac{Ma_1}{L_{\text{unit}}}$

$$Fra_1 = \frac{5 \times 9.8}{2} + \frac{20 \times 9.8}{2} - \frac{-4970}{70} = 193.5 \text{ N}$$

horizontal direction  $Fsa_1 = \frac{Ma_2}{L_{\text{unit}}}$

$$Fsa_1 = \frac{-825}{70} = -11.8 \text{ N}$$

rolling moment  $Mra_1 = \frac{Ma_3}{2}$

$$Mra_1 = \frac{-1960}{2} = -980 \text{ N} \cdot \text{mm}$$

Block 2

vertical direction  $Fra_2 = \frac{m \cdot g}{2} + \frac{Ma_1}{L_{\text{unit}}}$

$$Fra_2 = \frac{5 \times 9.8}{2} + \frac{20 \times 9.8}{2} + \frac{-4970}{70} = 51.5 \text{ N}$$

horizontal direction  $Fsa_2 = \frac{Ma_2}{L_{\text{unit}}}$

$$Fsa_2 = \frac{-825}{70} = -11.8 \text{ N}$$

rolling moment  $Mra_2 = \frac{Ma_3}{2}$

$$Mra_2 = \frac{-1960}{2} = -980 \text{ N} \cdot \text{mm}$$

&lt;constant&gt;

Block 1

vertical direction  $Fr_1 = \frac{m \cdot g}{2} - \frac{M_1}{L_{\text{unit}}}$

$$Fr_1 = \frac{5 \times 9.8}{2} + \frac{20 \times 9.8}{2} - \frac{-3920}{70} = 178.5 \text{ N}$$

horizontal direction  $Fs_1 = \frac{M_2}{L_{\text{unit}}}$

rolling moment  $Mr_1 = \frac{M_3}{2}$

$$Mr_1 = \frac{-1960}{2} = -980 \text{ N} \cdot \text{mm}$$

Block 2

vertical direction  $Fr_2 = \frac{m \cdot g}{2} + \frac{M_1}{L_{\text{unit}}}$

$$Fr_2 = \frac{5 \times 9.8}{2} + \frac{20 \times 9.8}{2} + \frac{-3920}{70} = 66.5 \text{ N}$$

horizontal direction  $Fs_2 = -\frac{M_2}{L_{\text{unit}}}$

rolling moment  $Mr_2 = \frac{M_3}{2}$

$$Mr_2 = \frac{-1960}{2} = -980 \text{ N} \cdot \text{mm}$$

<deceleration>

Block 1

vertical direction  $Frd_1 = \frac{m \cdot g}{2} - \frac{Md_1}{L_{unit}}$

$$Frd_1 = \frac{5 \times 9.8}{2} + \frac{20 \times 9.8}{2} - \frac{-2870}{70} = 163.5N$$

horizontal direction  $Fsd_1 = \frac{Md_2}{L_{unit}}$

$$Fsd_1 = \frac{825}{70} = 11.8N$$

rolling moment  $Mrd_1 = \frac{Md_3}{2}$

$$Mrd_1 = \frac{-1960}{2} = -980N \cdot mm$$

Block 2

vertical direction  $Frd_2 = \frac{m \cdot g}{2} + \frac{Md_1}{L_{unit}}$

$$Frd_2 = \frac{5 \times 9.8}{2} + \frac{20 \times 9.8}{2} + \frac{-2870}{70} = 81.5N$$

horizontal direction  $Fsd_2 = -\frac{Md_2}{L_{unit}}$

$$Fsd_2 = -\frac{825}{70} = -11.8N$$

rolling moment  $Mrd_2 = \frac{Md_3}{2}$

$$Mrd_2 = \frac{-1960}{2} = -980N \cdot mm$$

### ③ Calculating Equivalent Load

◎Pr in the vertical direction and Ps in the horizontal direction are calculated by the following equations.

$$Pr = |Fr| + |Er \cdot Mr|$$

$$Ps = |k \cdot Fs|$$

Er=0.220 for SEB9A  
k=0.84 for SEB-A guide

Pr<sub>1</sub> = |Fr<sub>1</sub>| + |Er · Mr<sub>1</sub>| = |193.5| + |0.220 × (-980)| = 409.1 (N)  
calculating in the same manner

Table 1-29

	acceleration	constant	deceleration
block 1	Pr <sub>1</sub> =409.1	Pr <sub>1</sub> =394.1	Pr <sub>1</sub> =379.1
	Ps <sub>1</sub> =9.9	Ps <sub>1</sub> =0	Ps <sub>1</sub> =9.9
block 2	Pr <sub>2</sub> =267.1	Pr <sub>2</sub> =282.1	Pr <sub>2</sub> =297.1
	Ps <sub>2</sub> =9.9	Ps <sub>2</sub> =0	Ps <sub>2</sub> =9.9

◎Equation for Dynamic Equivalent Load

$$P = Pr + Ps$$

Pa<sub>1</sub> = Pr<sub>1</sub> + Ps<sub>1</sub> = 409.1 + 9.9 = 419.0 (N)  
calculating in the same manner

Table 1-30

	acceleration	constant	deceleration
block 1	Pa <sub>1</sub> =419.0	P <sub>1</sub> =394.1	Pd <sub>1</sub> =389.0
block 2	Pa <sub>2</sub> =277.0	P <sub>2</sub> =282.1	Pd <sub>2</sub> =307.0

◎Calculating Average Equivalent Load

$$Pm = \sqrt[3]{\frac{1}{Ls} \times \left\{ (Pa^3 \times \frac{V_{max} \times t_1}{2}) + (P^3 \times V_{max} \times t_2) + (Pd^3 \times \frac{V_{max} \times t_3}{2}) \right\}}$$

$$Pm_1 = \sqrt[3]{\frac{1}{300} \times \left\{ (419.0^3 \times \frac{150 \times 0.1}{2}) + (394.1^3 \times 150 \times 1.9) + (389.0^3 \times \frac{150 \times 0.1}{2}) \right\}} = 394.6(N)$$

$$Pm_2 = \sqrt[3]{\frac{1}{300} \times \left\{ (277.0^3 \times \frac{150 \times 0.1}{2}) + (282.1^3 \times 150 \times 1.9) + (307.0^3 \times \frac{150 \times 0.1}{2}) \right\}} = 282.7(N)$$

### ④ Calculating Rated Life

Decide each coefficient

$f_H$ : hardness coefficient  $f_H=1$  for hardness of guide is 58HRC or more

$f_T$ : temperature coefficient  $f_T=1$  operating temperature is below 100°C (80°C is maximum for SEB-A guide)

$f_C$ : contact coefficient  $f_C=1$  for blocks are not in close contact

$f_W$ : applied load coefficient  $f_W=1.5$  for  $V_{max}=150\text{mm/s}$

◎ Calculating Rated Life

Selecting Block 1 that carries the maximum dynamic equivalent load

$$L = \left( \frac{f_H \times f_T \times f_C}{f_W} \times \frac{C}{P_m} \right)^3 \times 50$$

$$L = \left( \frac{1 \times 1 \times 1}{1.5} \times \frac{1920}{394.6} \right)^3 \times 50 = 1706(\text{km})$$

◎ Calculating Life Time

$$L_h = \frac{L \times 10^3}{2 \times l_s \times n_1 \times 60}$$

$$L_h = \frac{1706 \times 10^3}{2 \times 0.3 \times 14 \times 60} = 3384(\text{hour})$$

### ⑤ Calculating Static Safety Factor

◎ Equation for Static Equivalent Load

$$P_o = P_r + P_s$$

$$P_{oa1} = P_{ra1} + P_{sa1} = 409.1 + 9.9 = 419.0 (\text{N})$$

calculating in the same manner

Table 1-31

	acceleration	constant	deceleration
block 1	$P_{oa1} = 419.0$	$P_{o1} = 394.1$	$P_{od1} = 389.0$
block 2	$P_{oa2} = 277.0$	$P_{o2} = 282.1$	$P_{od2} = 307.0$

Selecting Block 1 that carries the maximum static equivalent load

$$f_s = \frac{C_o}{P_o}$$

$$f_s = \frac{C_o}{P_{oa1}} = \frac{2530}{419.0} = 6.0$$

### RATED LIFE CALCULATION EXAMPLE 3

#### 2 Vertical Axes, 1 Bush each, Considering Acceleration/Deceleration

Operating Conditions

part number: SM30W

basic dynamic load rating  $C = 2.49\text{kN}$

basic static load rating  $C_o = 5.49\text{kN}$

shaft span:  $L_{rail} = 80\text{mm}$

drive:  $Y_d = 20\text{mm}$

$Z_d = -20\text{mm}$

mass:  $m_1 = 5\text{kg}$   $X_1 = 0\text{mm}$

$Y_1 = 0\text{mm}$

$Z_1 = 30\text{mm}$

$m_2 = 20\text{kg}$   $X_2 = 40\text{mm}$

$Y_2 = 50\text{mm}$

$Z_2 = 20\text{mm}$

velocity:  $V_{max} = 150\text{mm/s}$

time:  $t_1 = 0.1\text{s}$

$t_2 = 0.7\text{s}$

$t_3 = 0.1\text{s}$

acceleration:  $a_1 = 1.5\text{m/s}^2$

$a_3 = 1.5\text{m/s}^2$

stroke:  $l_s = 120\text{mm}$

number of cycles per minute:  $n_1 = 33\text{cpm}$

Figure 1-14

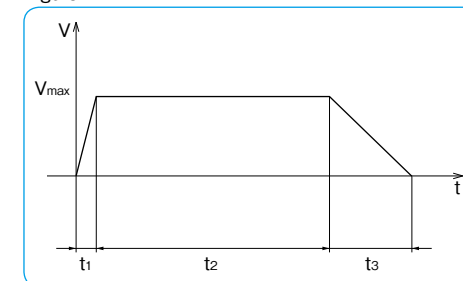
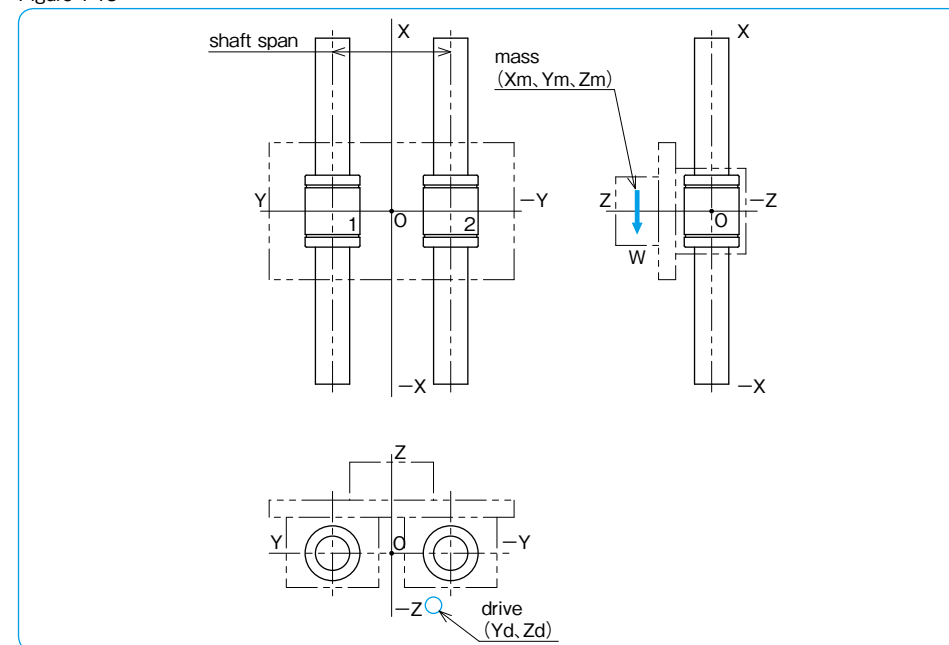


Figure 1-15





① Calculating Moment Applied to the Unit

<acceleration>

pitching  $Ma_1 = m \cdot g \cdot (Zm - Zd) + m \cdot a_1 \cdot (Zm - Zd)$

$Ma_1 = 5 \times 9.8 \times \{(30) - (-20)\} + 5 \times 1.5 \times \{(30) - (-20)\} + 20 \times 9.8 \times \{(20) - (-20)\} + 20 \times 1.5 \times \{(20) - (-20)\} = 11865N \cdot mm$

yawing  $Ma_2 = m \cdot g \cdot (Ym - Yd) + m \cdot a_1 \cdot (Ym - Yd)$

$Ma_2 = 5 \times 9.8 \times \{(0) - (20)\} + 5 \times 1.5 \times \{(0) - (20)\} + 20 \times 9.8 \times \{(50) - (20)\} + 20 \times 1.5 \times \{(50) - (20)\} = 5650N \cdot mm$

rolling  $Ma_3 = 0$

<constant>

pitching  $M_1 = m \cdot g \cdot (Zm - Zd)$

$M_1 = 5 \times 9.8 \times \{(30) - (-20)\} + 20 \times 9.8 \times \{(20) - (-20)\} = 10290N \cdot mm$

yawing  $M_2 = m \cdot g \cdot (Ym - Yd)$

$M_2 = 5 \times 9.8 \times \{(0) - (20)\} + 20 \times 9.8 \times \{(50) - (20)\} = 4900N \cdot mm$

rolling  $M_3 = 0$

<deceleration>

pitching  $Md_1 = m \cdot g \cdot (Zm - Zd) - m \cdot a_3 \cdot (Zm - Zd)$

$Md_1 = 5 \times 9.8 \times \{(30) - (-20)\} - 5 \times 1.5 \times \{(30) - (-20)\} + 20 \times 9.8 \times \{(20) - (-20)\} - 20 \times 1.5 \times \{(20) - (-20)\} = 8715N \cdot mm$

yawing  $Md_2 = m \cdot g \cdot (Ym - Yd) - m \cdot a_3 \cdot (Ym - Yd)$

$Md_2 = 5 \times 9.8 \times \{(0) - (20)\} - 5 \times 1.5 \times \{(0) - (20)\} + 20 \times 9.8 \times \{(50) - (20)\} - 20 \times 1.5 \times \{(50) - (20)\} = 4150N \cdot mm$

rolling  $Md_3 = 0$

② Calculating Load Applied to the Slide Bush

<acceleration>

Bush 1 vertical direction  $Fra_1 = \frac{Ma_3}{L_{rail}} = 0$

horizontal direction  $Fsa_1 = 0$

pitching  $Mpa_1 = \frac{Ma_1}{2}$

$Mpa_1 = \frac{11865}{2} = 5932.5N \cdot mm$

yawing  $Mya_1 = \frac{Ma_2}{2}$

$Mya_1 = \frac{5650}{2} = 2825N \cdot mm$

Bush 2

vertical direction  $Fra_2 = \frac{Ma_3}{2 \cdot L_{rail}} = 0$

horizontal direction  $Fsa_2 = 0$

pitching  $Mpa_2 = \frac{Ma_1}{2}$

$Mpa_2 = \frac{11865}{2} = 5932.5N \cdot mm$

yawing  $Mya_2 = \frac{Ma_2}{2}$

$Mya_2 = \frac{5650}{2} = 2825N \cdot mm$

<constant>

Bush 1 vertical direction  $Fr_1 = \frac{M_3}{L_{rail}} = 0$

horizontal direction  $Fs_1 = 0$

pitching  $Mp_1 = \frac{M_1}{2}$

$Mp_1 = \frac{10290}{2} = 5145N \cdot mm$

yawing  $My_1 = \frac{M_2}{2}$

$My_1 = \frac{4900}{2} = 2450N \cdot mm$

Bush 2

vertical direction  $Fr_2 = \frac{M_3}{L_{rail}} = 0$

horizontal direction  $Fs_2 = 0$

pitching  $Mp_2 = \frac{M_1}{2}$

$Mp_2 = \frac{10290}{2} = 5145N \cdot mm$

yawing  $My_2 = \frac{M_2}{2}$

$My_2 = \frac{4900}{2} = 2450N \cdot mm$

<deceleration>

Bush 1

vertical direction  $Frd_1 = \frac{Md_3}{L_{rail}} = 0$

horizontal direction  $Fsd_1 = 0$

pitching  $Mpd_1 = \frac{Md_1}{2}$

$Mpd_1 = \frac{8715}{2} = 4357.5N \cdot mm$

yawing  $Myd_1 = \frac{Md_2}{2}$

$Myd_1 = \frac{4150}{2} = 2075N \cdot mm$

Bush 2

vertical direction  $Frd_2 = \frac{Md_3}{L_{rail}} = 0$

horizontal direction  $Fsd_2 = 0$

pitching  $Mpd_2 = \frac{Md_1}{2}$

$Mpd_2 = \frac{8715}{2} = 4357.5N \cdot mm$

yawing  $Myd_2 = \frac{Md_2}{2}$

$Myd_2 = \frac{4150}{2} = 2075N \cdot mm$

### ③ Calculating Equivalent Load

◎Pr in the vertical direction and Ps in the horizontal direction are calculated by the following equations.

$$Pr = |Fr| + |E_1 \cdot Mp|$$

$$Ps = |k \cdot Fs| + |E_1 \cdot My|$$

$E_1 = 6.63 \times 10^{-2}$  for SM30W  
 $k = 1$  for Slide Bush

Table 1-32

	acceleration	constant	deceleration
bush 1	Pr <sub>a1</sub> = 393.3	Pr <sub>1</sub> = 341.1	Pr <sub>d1</sub> = 288.9
	Ps <sub>a1</sub> = 187.3	Ps <sub>1</sub> = 162.4	Ps <sub>d1</sub> = 137.6
bush 2	Pr <sub>a2</sub> = 393.3	Pr <sub>2</sub> = 341.1	Pr <sub>d2</sub> = 288.9
	Ps <sub>a2</sub> = 187.3	Ps <sub>2</sub> = 162.4	Ps <sub>d2</sub> = 137.6

◎Equation for Dynamic Equivalent Load

$$P = Pr + Ps$$

Pa<sub>1</sub> = Pr<sub>a1</sub> + Ps<sub>a1</sub> = 393.3 + 187.3 = 580.6(N)  
 calculating in the same manner

Table 1-33

	acceleration	constant	deceleration
bush 1	Pa <sub>1</sub> = 580.6	P <sub>1</sub> = 503.5	Pd <sub>1</sub> = 426.5
bush 2	Pa <sub>2</sub> = 580.6	P <sub>2</sub> = 503.5	Pd <sub>2</sub> = 426.5

◎Calculating Average Equivalent Load

$$Pm = \sqrt[3]{\frac{1}{L_s} \times \left\{ (Pa^3 \times \frac{V_{max} \times t_1}{2}) + (P^3 \times V_{max} \times t_2) + (Pd^3 \times \frac{V_{max} \times t_3}{2}) \right\}}$$

$$Pm_1 = \sqrt[3]{\frac{1}{120} \times \left\{ (580.6^3 \times \frac{150 \times 0.1}{2}) + (503.5^3 \times 150 \times 0.7) + (426.5^3 \times \frac{150 \times 0.1}{2}) \right\}} = 505.0(N)$$

$$Pm_2 = \sqrt[3]{\frac{1}{120} \times \left\{ (580.6^3 \times \frac{150 \times 0.1}{2}) + (503.5^3 \times 150 \times 0.7) + (426.5^3 \times \frac{150 \times 0.1}{2}) \right\}} = 505.0(N)$$

#### ④ Calculating Rated Life

Decide each coefficient

- $f_H$ : hardness coefficient  $f_H=1$  for hardness of bush is 58HRC or more
- $f_T$ : temperature coefficient  $f_T=1$  operating temperature is below 100°C (80°C is maximum for Bush with resin retainer)
- $f_C$ : contact coefficient  $f_C=1$  for bushes are not in close contact
- $f_W$ : applied load coefficient  $f_W=1.5$  for  $V_{max}=150\text{mm/s}$

◎ Calculating Rated Life

Selecting Bush 1 that carries the maximum equivalent load

$$L = \left( \frac{f_H \times f_T \times f_C}{f_W} \times \frac{C}{P_m} \right)^3 \times 50$$

$$L = \left( \frac{1 \times 1 \times 1}{1.5} \times \frac{2490}{505.0} \right)^3 \times 50 = 1775(\text{km})$$

◎ Calculating Life Time

$$L_h = \frac{L \times 10^3}{2 \times \ell_s \times n_1 \times 60}$$

$$L_h = \frac{1775 \times 10^3}{2 \times 0.120 \times 33 \times 60} = 3735(\text{hour})$$

#### ⑤ Calculating Static Safety Factor

◎ Equation for Static Equivalent Load

$$P_0 = P_r + P_s$$

$P_{0a1} = P_{ra1} + P_{sa1} = 393.3 + 187.3 = 580.6(\text{N})$   
calculating in the same manner

Table 1-34

	acceleration	constant	deceleration
bush 1	$P_{0a1} = 580.6$	$P_{01} = 503.5$	$P_{0d1} = 426.5$
bush 2	$P_{0a2} = 580.6$	$P_{02} = 503.5$	$P_{0d2} = 426.5$

Selecting Bush 1 that carries the maximum static equivalent load

$$f_s = \frac{C_0}{P_0}$$

$$f_s = \frac{C_0}{P_{0a1}} = \frac{5490}{580.6} = 9.4$$

### RIGIDITY AND PRELOAD

#### Effect of Preload and Rigidity

The rigidity of a linear system must be taken into consideration when it is to be used in high-precision positioning devices or high-precision machinery. Preloaded slide guides and ball splines, which use balls as the rolling elements, are available upon request to meet the need for greater rigidity.

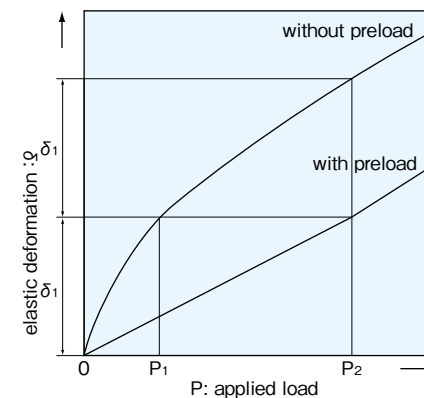
If a force is applied to the ball elements without preload, an elastic deformation proportional to the applied force to the 2/3 power will result. Therefore, the elastic deformation is relatively large during the initial loading stage, however then becomes smaller as the load increases.

Preloading on the rolling elements absorbs the deformation of the block under the same loading. Please contact NB for available data in regard to rigidity.

#### Types of Preload and its Specification

Preload is categorized into three ranges: standard, light, and medium for option. In the NB linear system, preload is applied by installing rolling elements that are slightly larger than standard. Therefore, the specification of the preload is expressed by a negative value.

Figure 1-16 Applied Load versus Block Deformation



**FRICIONAL RESISTANCE AND REQUIRED THRUST**

The static friction of a linear system is extremely low. Since the difference between the static and dynamic friction is marginal, stable motion can be achieved from low to high speed. The frictional resistance (required thrust) can be obtained from the load and the seal resistance unique to each type of system using the following equation:

$$F = \mu \cdot W + f \quad \dots\dots\dots (14)$$

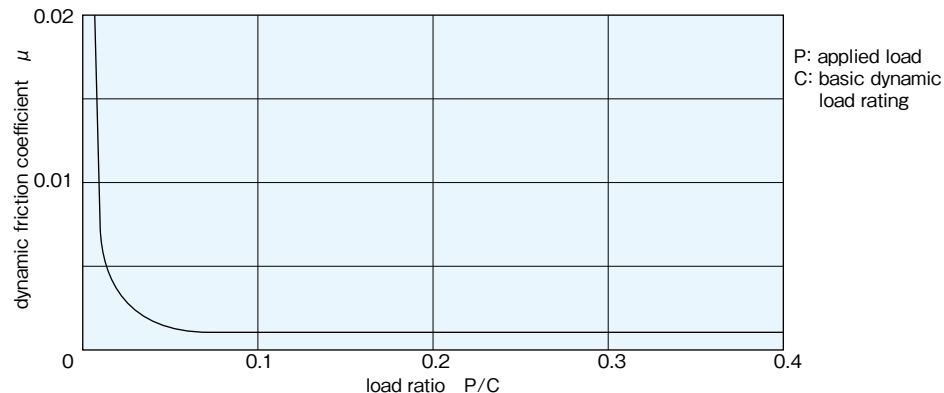
F: frictional resistance (N)     $\mu$ : dynamic friction coefficient  
W: applied load (N)    f: seal resistance (N)

The dynamic friction coefficient varies with the applied load, preload, viscosity of the lubricant, and other factors. However, the values given in Table 1-35 are used for the normal loading condition (20% of basic dynamic load rating) without any preload. The seal resistance depends on the seal-lip condition as well as on the condition of the lubricant, however, it does not change proportionally with the applied load, which commonly is expressed by a constant value of 2 to 5 N.

Table 1-35 Dynamic Friction Coefficient

product	type	dynamic friction coefficient ( $\mu$ )	
Slide Guide	SGL·SGW	0.002~0.003	
	SEB	0.004~0.006	
	SER	0.004~0.006	
Ball Spline	SSP	0.004~0.006	
Rotary Ball Spline	SPR·SPB SPBR	0.004~0.006	
Stroke Ball Spline	SPLFS	0.001~0.003	
Slide Bush	SM·KB SW·GM SMA·SME	0.002~0.003	
	Top Ball	TK·TKA TKE·TKD TW·TWA TWJ·TWD	0.002~0.003
		Stroke Bush	SR
Slide Rotary Bush		SRE	0.002~0.003
		RK	0.002~0.003
Slide Way	NV·SV·RV	0.001~0.003	
Slide Table	NVT·NYT·SVT·SYT	0.001~0.003	
Miniature Slide	SYBS	0.001~0.003	

Figure 1-17 Applied Load versus Dynamic Friction Coefficient



**OPERATING ENVIRONMENT**

**Temperature Range**

The NB linear systems are heat-treated in order to harden the surface. Therefore, if the temperature of the linear system exceeds 100°C, the hardness and load rating will be reduced (refer to page Eng-5, hardness coefficient). If resin is used in any one of the components, the system cannot be used in a high-temperature environment. The recommended operating temperature ranges for each type of linear system are listed in Table 1-36.

Table 1-36 Major Types and Recommended Temperature Range

component material	includes resin	steel	stainless	other
operating temperature range	-20°C~80°C	-20°C~110°C	-20°C~140°C*	
Slide Guide	SEB-A/SEBS-B SGL/SGW	SER	SEBS-BM SERS	
Ball Spline	SSP/SSPF/SPBF		SPLFS	
Rotary Ball Spline	SPR/SPB/SPBR			
Slide Bush	SM G/KB G/ SW G/SMS G/ KBS G/SWS G/GM SMA G/SMSA/ AK G/RBW/CE/CD	SM/KB/SW  SMA/AK	SMS/KBS/SWS  AKS	
Top Ball	TK/TKA TKE/TKD TW/TWA TWJ/TWD			
Stroke Bush		SR/SRB		
Slide Rotary Bush	RK	SRE		
Slide Way	NV/NVS	SV/RV	SVS/NVS-RNS	
Slide Table	NVT/NYT	SVT/SYT	SYTS	SVTS**
Miniature Slide			SYBS	
Slide Screw		SS		

\* If the system is made of stainless steel and has a seal, the temperature range is up to 120°C  
\*\* Please contact NB if the system is to be used out of room temperatures.

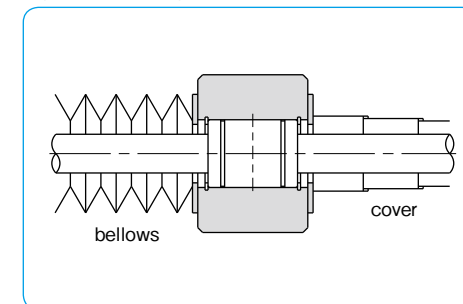
Temperature Conversion Equation:

$$C = \frac{5}{9}(F - 32) \quad F = \frac{9}{5}C + 32$$

**Operating Environment**

Foreign particles or dust in the linear system affects the motion accuracy and shortens the life time. Standard seals will perform well for dust prevention under normal operating conditions, however, in a harsh environment it is necessary to attach bellows or protective covers as Figure 1-18 shows.

Figure 1-18 Example of Dust Prevention



LUBRICATION

The objective of lubrication includes the reduction of friction among the rolling elements as well as between the rolling elements and the raceway, prevention of sintering, reduction of wear, and the prevention of rust by forming a film over the surfaces. To maximize the performance of a linear system, the lubricant type and a lubrication method appropriate for the operating environment should be selected.

There are two types of lubrication; oil lubrication and grease lubrication. For oil lubrication, turbine oil conforming to ISO standard VG32 to 68 is recommended.

For grease lubrication, lithium soap based grease No.2 is recommended. For slide bush and some other products, anti-rust oil that does not adversely affect the lubricant is applied prior to shipment. Please apply lubricant before using these products. (see Table 1-37) Products with raceway grooves, such as slide guide, are delivered pre-lubricated with grease for immediate use. Please relubricate with a similar type of grease periodically depending on the operating conditions. The recommended relubrication period is about 6 months or 1,000km of travel distance under normal conditions.

Table 1-37 Grease and Anti-rust oil

type	grease application
Slide Guide	grease pre-applied
Ball Spline	grease pre-applied
Rotary Ball Spline	grease pre-applied
Slide Bush	anti-rust oil only
Stroke Bush	anti-rust oil only
Slide Rotary Bush	anti-rust oil only
Slide Way	grease pre-applied
Slide Table	grease pre-applied
Miniature Slide	grease pre-applied

NB provides the following optional greases. Please select one in accordance with the use conditions of your linear system.

●KGL Grease (Low Dust Generation Grease)

KGL Grease has an excellent property of low dust generation with a lithium-type thickening agent used. It is ideal for use in a clean room.

●KGU Grease (Low Dust Generation Grease)

With urea-type thickening agent used, KGU Grease has features including a superior low dust generation property and the reduced dynamic frictional resistance during low-speed operation.

Table 1-38 Main Property

item	grease name	
	KGL Grease	KGU Grease
appearance	light yellowish-white	light brown
base oil	synthetic oil and refined oil mixed	synthetic oil and refined oil mixed
kinematic viscosity of base oil (mm <sup>2</sup> /s, 40°C)	32	100
thickening agent	lithium soap	urea
mixture viscosity	237	248
drop point (°C)	201	280 or higher
copper plate corrosion (100°C, 24hrs)	passed	passed
evaporation (mass%)	0.8 (99°C 22h)	0.61 (150°C 22h)
oil separation (mass%:100°C, 24hrs)	0.9	0.5
oxidation stability (MPa99°C, 100hrs)	0.04	0.015
bearing corrosion prevention (52°C, 48hrs)	passed	passed
operating temperature range (°C)	-20~120	-30~160

Figure 1-19 Dust Level Measurement Data

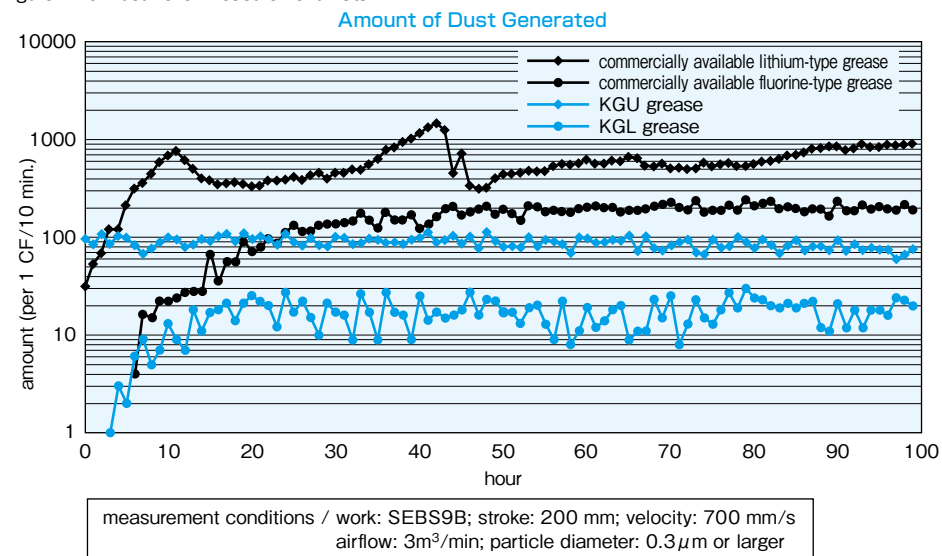
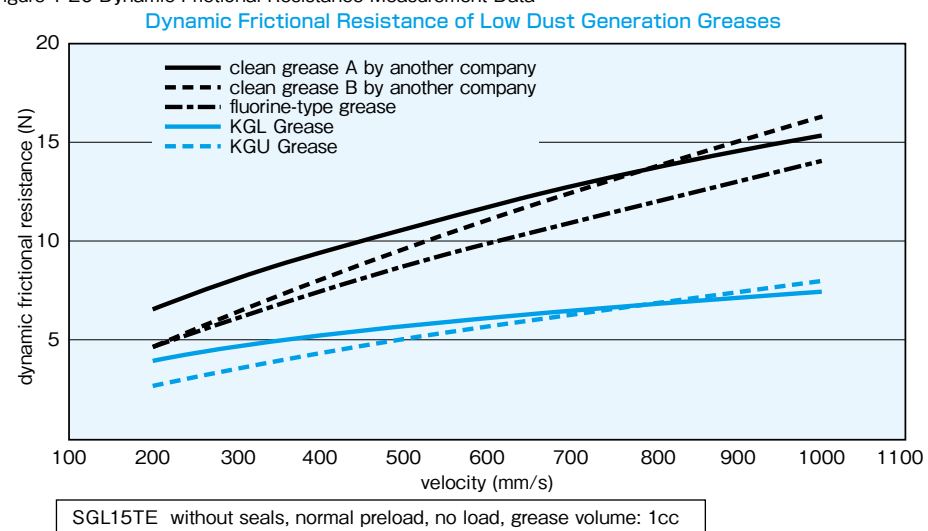


Figure 1-20 Dynamic Frictional Resistance Measurement Data



● **KGF Grease (Anti-fretting/Anti-corrosion Grease)**

With urea-type thickening agent used, KGF Grease is very effective to prevent fretting and corrosion.

Table 1-39 Main Property

item	grease name KGF Grease
appearance	brown
base oil	synthetic oil
kinematic viscosity of base oil (mm <sup>2</sup> /s, 40°C)	approx. 25
thickening agent	urea
mixture viscosity	292
drop point (°C)	250 or higher
copper plate corrosion (100°C, 24 hrs)	passed
evaporation (mass%)	0.27 (99°C 22h)
oil separation (mass%100°C, 24 hrs)	1.1
oxidation stability (MPa99°C, 100 hrs)	0.085
bearing corrosion prevention (52°C, 48 hrs)	passed
rinsing water resistance (38°C, 1 hr)	1.7
operating temperature range (°C)	-20~150

Anti-fretting/Anti-corrosion Test Data

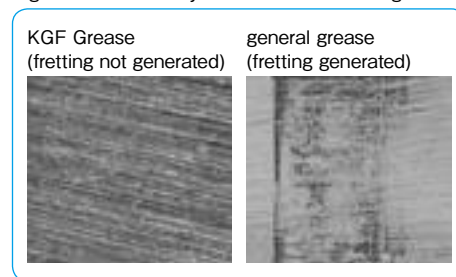
Table 1-40 Test Conditions

item	content
tested item	NVT4165
stroke	2 mm
acceleration	2.4G
average acceleration	0.1 m/s
cycle per minute	1,450 cpm
grease injection volume	0.5 cc
total travel distance	184 km
total cycles	46 million cycles

● **Grease for the food processing industry (NSF H1 certified) is available.**

It is the most suitable combination for the food processing applications to use this type of grease with stainless steel products. Please contact NB for details.

Figure 1-21 Raceway Condition after Testing

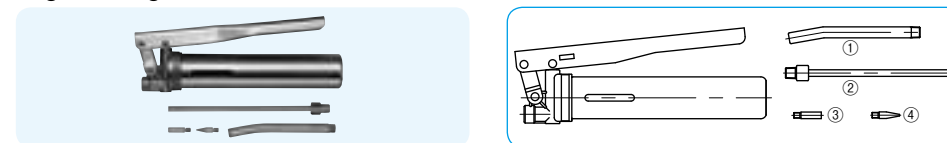


**NB MAINTENANCE KIT**

There are two types of maintenance kit available at NB.

**1. Grease Gun Set: GG1**

Different types of nozzles are adaptable to a variety of products including Actuators and products with grease-fitting.

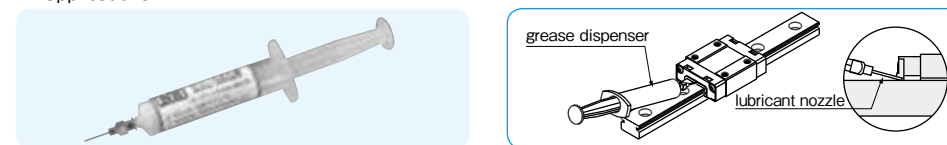


- ① Lubricant Nozzle (φ10)  
Slide Guide SGL, SGW (except #17)  
Actuator BG (#46 or larger)  
Slide Bush SM, TR
- ②+Lubricant Nozzle ③(φ5)  
Slide Guide SGW (#17 only)  
Actuator BG (#33 or smaller)  
Others
- ②+Lubricant Nozzle ④  
Ball Screw  
Products with Oil Hole

In the case of difficulty in pumping, due to internal grease adhesion or shape of the bearing, please use nozzle ④ to apply grease directly onto running grooves.

**2. Grease Dispenser: TUI**

Syringe dispenser is recommended for miniature guide (SEBS-B type) and for limited space applications.



- ① Lubricant Nozzle (19G)  
Needle Diameter : φ1.00  
Needle Inner Diameter : φ0.67 (for KGF Grease)
- ② Lubricant Nozzle (17G)  
Needle Diameter : φ1.50  
Needle Inner Diameter : φ1.03 (for KGL·KGU Grease)

**PRECAUTIONS FOR HANDLING AND USE**

Please follow the instructions below to maintain the accuracy of NB linear system as a precision part and for a safety use.

- ⚠ (1) Notes on Handling
  - ① Any shock load caused by rough handling (such as dropping or hitting with hammer) may cause a scar or dent on the raceway which will hinder smooth movement and shorten expected travel life. Also be aware that such impact may damage the resin parts.
  - ② Never try to disassemble the product. Doing so may cause an entry of contamination or deterioration of assembly accuracy.
  - ③ The blocks or the outer cylinders may move just by tilting the rail or the shaft. Be careful not to let them fall off from the rail or the shaft by mistake.
  - ④ The accuracy on the mounting surface and parallelism of the rails or the shafts after assembly are important factors to optimize the performance of the linear system. Exercise adequate care for mounting accuracy.
- ⚠ (2) Notes on Use
  - ① Be careful not to let dust or foreign particles enter the linear system during use.
  - ② When using the linear system under an environment where dust or coolant may scatter, protect the system with a cover or bellows.
  - ③ When the NB linear system is used in a manner that its rail is fixed to the ceiling and downward load is applied to the block (s) or the outer cylinder (s), if the block or the outer cylinder breaks, it may fall off from the rail and drop to the floor. Provide additional measures for preventing dropping of the block or the outer cylinder, such as a safety catch.
- ⚠ (3) Instructions in considering the "Life Time" of a Linear System
  - ① When the load applied to a block or an outer cylinder exceeds 0.5 time of the basic dynamic load rating (P > 0.5C), the actual life of the system may become shorter than a calculated life time. Therefore, it is recommended to use the system with 0.5C or lower.
  - ② In the repetition of very minute stroke, where the rolling element, a steel ball or a cylindrical roller, makes only less than a half turn, early wear called fretting occurs at the contact points between the rolling elements and the raceway. There is no perfect measure to avoid this, but the life of the system can be extended by using anti-fretting grease and moving the blocks or the outer cylinders for the full stroke length once in a few thousand times of use.  
Anti-fretting grease is available as an option. Please select it for applications with very minute stroke length.

# SLIDE GUIDE

## SLIDE GUIDE

- TYPES ..... A-3
- ACCURACY MEASUREMENT METHOD ..... A-4
- RIGIDITY AND PRELOAD ..... A-5
- LOAD RATING AND RATED LIFE ..... A-6
- MOUNTING ..... A-7
- USE AND HANDLING PRECAUTIONS ..... A-12
- JOINT RAILS ..... A-13
- DUST PREVENTION ..... A-14
- ANTI-CORROSION ..... A-15
- LUBRICATION ..... A-15
- FIBER SHEET ..... A-16
- REVERSE-SEAL ..... A-17
- BELLOWS ..... A-18
- SEB TYPE AD PROFILE (ANTI-DEFORMING) ..... A-19

## SLIDE GUIDE Miniature SEB Type

- STRUCTURE AND ADVANTAGES ..... A-20
- TYPES ..... A-21
- ACCURACY ..... A-22
- PRELOAD ..... A-22
- LOAD RATING ..... A-23
- EQUIVALENT LOAD ..... A-23
- RAIL LENGTH ..... A-23
- MOUNTING ..... A-24
- MOUNTING SCREW ..... A-25
- LUBRICATION ..... A-25
- DIMENSION TABLE ..... A-26~

## SLIDE GUIDE Miniature SER Type

- STRUCTURE AND ADVANTAGES ..... A-42
- TYPES ..... A-43
- ACCURACY ..... A-43
- PRELOAD ..... A-44
- RAIL LENGTH ..... A-44
- MOUNTING ..... A-44
- MOUNTING SCREW ..... A-45
- LUBRICATION ..... A-45
- DIMENSION TABLE ..... A-46~

## SLIDE GUIDE SGL Type

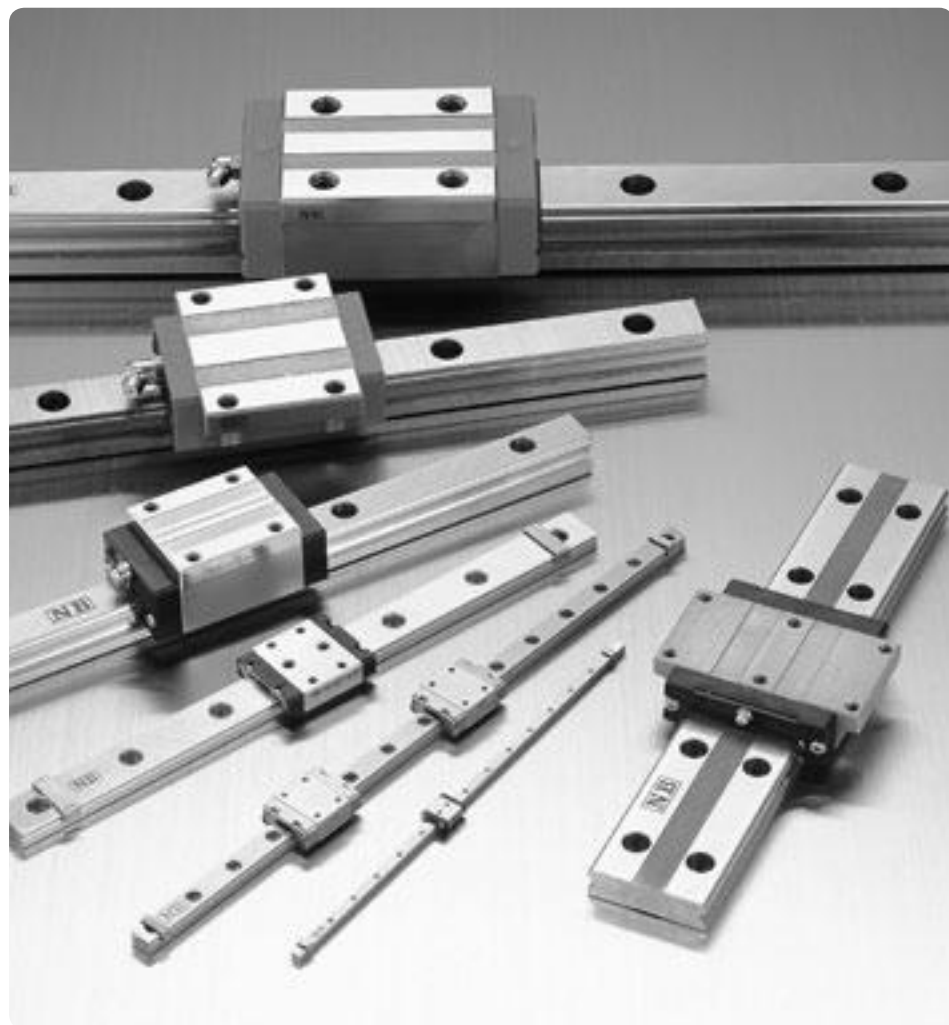
- STRUCTURE AND ADVANTAGES ..... A-50
- BLOCK TYPES ..... A-51
- ACCURACY ..... A-51
- PRELOAD ..... A-52
- RAIL LENGTH ..... A-52
- MOUNTING ..... A-52
- GREASE FITTING ..... A-53
- LUBRICATION ..... A-53
- DIMENSION TABLE ..... A-54~

## SLIDE GUIDE SGW Type

- STRUCTURE AND ADVANTAGES ..... A-72
- BLOCK TYPES ..... A-73
- ACCURACY ..... A-73
- PRELOAD ..... A-74
- RAIL LENGTH ..... A-75
- MOUNTING ..... A-75
- GREASE FITTING ..... A-75
- DIMENSION TABLE ..... A-76~

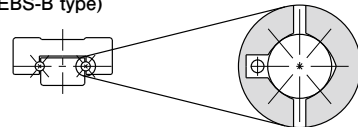
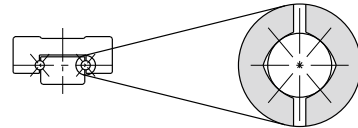
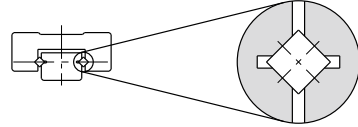
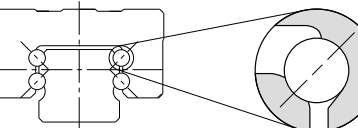
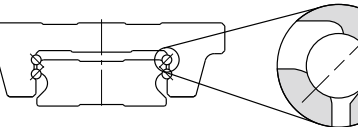
# SLIDE GUIDE

NB slide guides are high-precision and high-rigidity linear bearings designed to utilize the motion of rolling elements. They have numerous advantageous characteristics including low friction, no stick-slip, and smooth linear motion even under high load conditions. Since they can maintain their high-efficiency and high-functionality characteristics for an extended period of time, they meet a wide range of needs, from general industrial to precision machinery.



## TYPES

Table A-1 Types

	rolling element	cross section and contact structure	advantages	page
miniature type	ball	retained ball, 2-row, 4-point contact (SEBS-B type) 	<ul style="list-style-type: none"> <li>● retained ball type</li> <li>● available with all stainless steel components</li> <li>● 2-row, compact</li> <li>● small, light, cost effective</li> </ul>	P.A-20
	ball	2-row, 4-point contact (SEB-A type) 	<ul style="list-style-type: none"> <li>● 2-row, compact</li> <li>● small, light, cost effective</li> <li>● available in various types</li> <li>● available in stainless steel</li> </ul>	P.A-20
	roller	cross roller (SER type) 	<ul style="list-style-type: none"> <li>● miniature roller guide</li> <li>● cross roller, high precision</li> <li>● available with all stainless steel components</li> </ul>	P.A-42
high-rigidity type	ball	4-row, 2-point contact (SGL type) 	<ul style="list-style-type: none"> <li>● high self-centering characteristics</li> <li>● high load capacity due to relatively large ball elements</li> <li>● high dust preventive control with side-seals and under-seals</li> <li>● available in stainless steel</li> </ul>	P.A-50
	ball	4-row, 2-point contact (SGW type) 	<ul style="list-style-type: none"> <li>● high-moment resistant</li> <li>● low-height design</li> <li>● smooth motion due to large number of effective balls</li> <li>● high dust preventive control with side-seals and under-seals</li> </ul>	P.A-72



ACCURACY MEASUREMENT METHOD

The accuracy of slide guides is measured by fixing the rail to the reference base. The accuracy is expressed in terms of the average value at the center portion.

Dimensional Tolerance and Paired Difference

The accuracy of the slide guide is obtained by measuring the height H, and width W, as shown in Figure A-1. The dimensional tolerance is measured for each of the blocks attached to the rail and is expressed in terms of the deviation from the basic dimension. The paired difference is obtained by measuring the blocks attached to the rail and is expressed in terms of the difference between the maximum and minimum values.

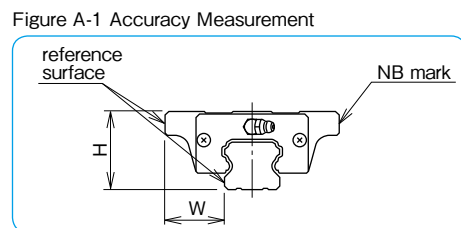
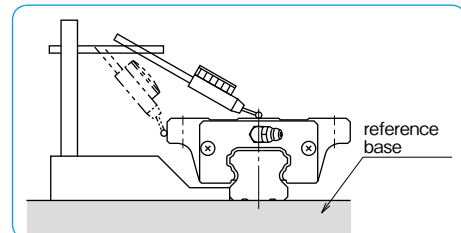


Figure A-1 Accuracy Measurement

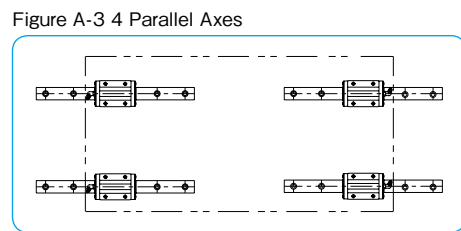
Motion Accuracy

The rail is first fixed to the reference base. The motion accuracy is obtained by measuring the difference in the indicator readings when the block is moved along the entire span of the rail.

Note: Gauge head is placed on the center of the block reference surface.



part number example  
**SGL25TF2-350/W2**  
 symbol for number of axes  
 W2: 2 parallel axes  
 W3: 3 parallel axes



Notation for Number of Axes and Paired Difference

When more than one rail is used in parallel, the dimensional difference must be measured on more than one block on more than one rail. For measuring the paired difference for height H, please specify the number of axes (W2, W3) as the part number example shows. For measuring the paired difference for width W, please contact NB.

Note : When four rails are used as illustrated in Figure A-3, W4 should be specified in the part number. Please indicate the number of axes when ordering.

RIGIDITY AND PRELOAD

The rolling elements of the slide guide deform elastically due to the applied load. The amount of deformation depends on the type of rolling element. It is proportional to the 2/3 power for ball elements. For rollers, it is proportional to the 9/10 power. In either case, the rate of deformation decreases as the applied load increases. Greater rigidity is achieved by applying a preload.

A preload causes internal stress within the slide guide block, resulting in some reduction in lifetime. However, when the guide is used under shock or vibration loading conditions, a preload will absorb the load and will actually help lengthen the life time. Because the preload causes elastic deformation of the rolling elements, it becomes less tolerable to the installation dimensional errors. Extreme care should be exercised in machining the installation surface.

Four levels of preload are available: clearance, standard, light, and medium. This allows the user to select the appropriate level for the application.

Figure A-4 Elastic Deformation of Rolling Elements

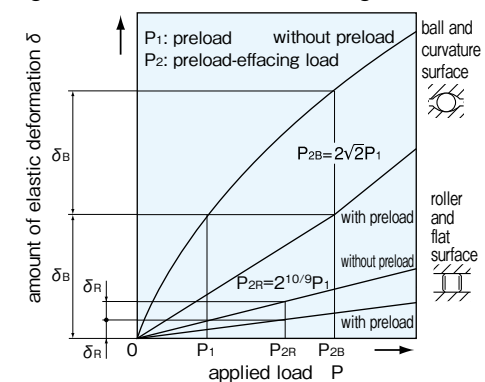


Table A-2 Level of Preload

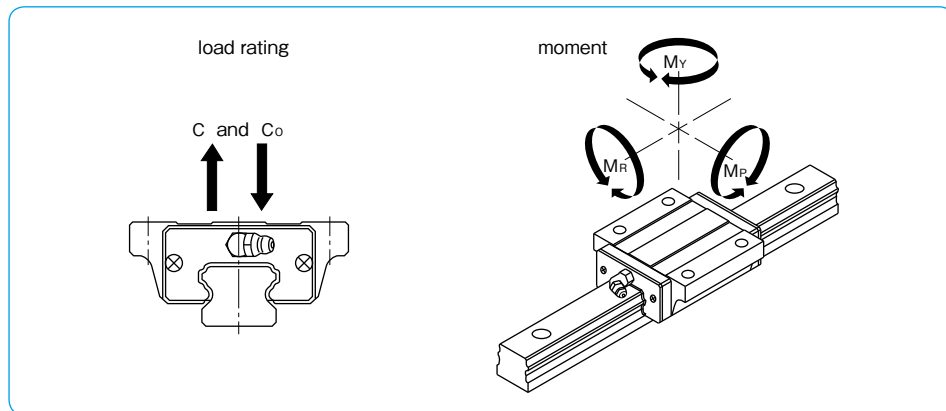
preload	symbol	effect of preload					operating conditions	applicable part number
		vibration absorption ability	self-aligning ability	lifetime	rigidity	frictional resistance		
clearance	T0	increases	reduces	reduces	increases	increases	light motion is required. installation errors to be absorbed.	SEB
standard	blank	increases	reduces	reduces	increases	increases	minute vibration is applied. accurate motion is required. moment is applied in a given direction.	SEB,SGL SGW
light	T1	increases	reduces	reduces	increases	increases	light vibration is applied. light torsional load is applied. moment is applied.	SEB,SGL SGW
medium	T2	increases	reduces	reduces	increases	increases	shock and vibration are applied. over-hang load is applied. torsional load is applied.	SGL,SGW

**LOAD RATING AND RATED LIFE**

**Loading Direction and Load Rating**

A slide guide experiences load and moment, as shown in Figure A-5. For each load and moment, the basic load ratings and allowable static moments are defined.

Figure A-5 Direction of Load



**Rated Life Calculation**

Two types of rolling elements are used in NB slide guides: ball and roller elements. There is a different equation for calculating the rated life of each type.

If the stroke length and cycles are constant, life can be expressed in terms of time, the equation is

$$L_h = \frac{L \cdot 10^3}{2 \cdot \ell_s \cdot n \cdot 60}$$

Lh: life time (hr)    ℓs: stroke length (m)  
L: rated life (km)    n: number of cycles per minute (cpm)

For ball elements (SEB, SGL, and SGW types), the equation is

$$L = \left( \frac{f_c \cdot f_T}{f_w} \cdot \frac{C}{P} \right)^3 \cdot 50$$

For roller elements (SER type), the equation is

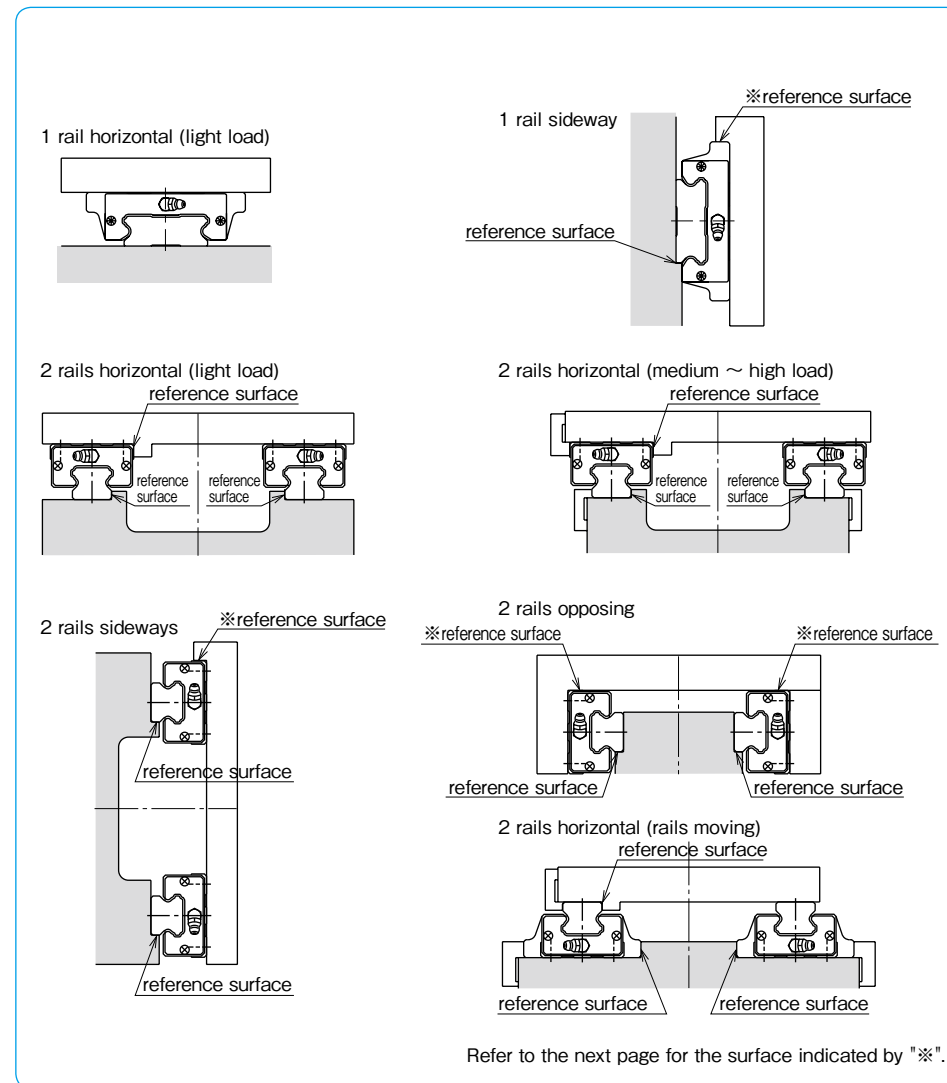
$$L = \left( \frac{f_c \cdot f_T}{f_w} \cdot \frac{C}{P} \right)^{10/3} \cdot 50$$

L: rated life (km)    fc: contact coefficient  
fr: temperature coefficient    fw: applied load coefficient  
C: basic dynamic load rating (N)    P: applied load (N)  
※ Refer to page Eng-5 for the coefficients.  
※ The contact coefficient is applied when two or more blocks are used in close contact.

**MOUNTING**

Slide guides have high load ratings in spite of their compact size. They can be used in various types of machinery and other equipment in various configurations. Figure A-6 shows some typical slide guide arrangements.

Figure A-6 Slide Guide Arrangements



### Mounting Surface and Accuracy

NB slide guides are designed and fabricated to achieve high accuracy after mounting them to a machined mounting base. One typical way is to provide a shoulder on the mounting surface and align the reference surface of the rail or block against the shoulder (Figure A-7). To avoid corner interference, an undercut should be provided at the shoulder corner. Alternatively, the radius of the shoulder corner should be smaller than the radius of the slide guide block/rail corner.

The accuracy of the rail mounting surface affects the accuracy of the machinery or equipment along with the slide guide motion accuracy.

The accuracy of the mounting surface should be equivalent to that of the slide guide motion accuracy. The specified preload may not be achieved due to deformation of the block, for example, the mounted block surface is not flat (Figure A-8). Careful attention should therefore be given to achieve the specified flatness.

Note: Please contact NB for the rail straightness in case the mounting shoulder cannot be provided or the rigidity of the mounting surface is not enough.

### Reference Surface Indication

Reference surfaces are provided to enable accurate and simplified mounting. They are located on the same side, as shown in Figure A-9, opposite to the NB mark.

Depending on the mounting arrangement, the standard reference surface may not ensure mounting accuracy (for example, 1 rail sideways or 2 rails opposing, Figure A-6, page A-7). In such cases, NB can provide a reference surface on the opposite side. Please specify the side when ordering.

Figure A-7 Profile of Mounting Reference Surface

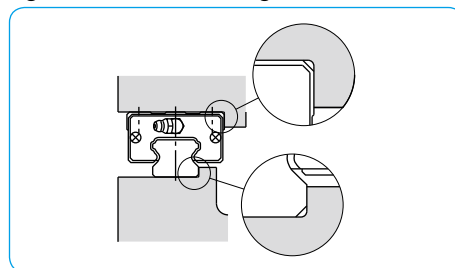


Figure A-8 Effect of Flatness

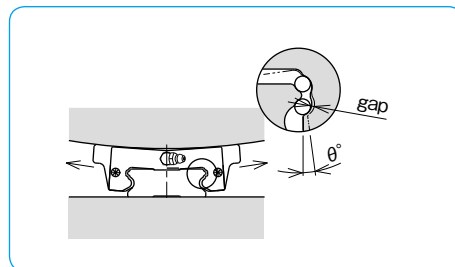
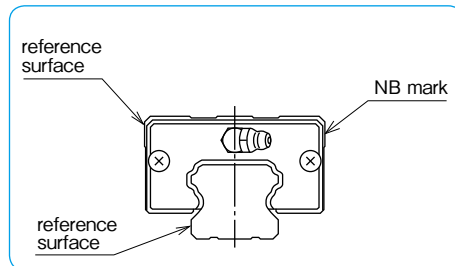


Figure A-9 Reference Surface



### Mounting

In general, slide guides are used with 2 rails in parallel. In that case, one rail is on the so-called reference side and the other is on the so-called adjustable side.

- Applications where shock/vibration and high load are involved/high accuracy is required. The effect of shock and vibration on accuracy is eliminated by using side pieces such as side plates (Figure A-10), tightening set screws (Figure A-11), or tapered gibs (Figure A-12).

Figure A-11 Using Tightening Set Screw

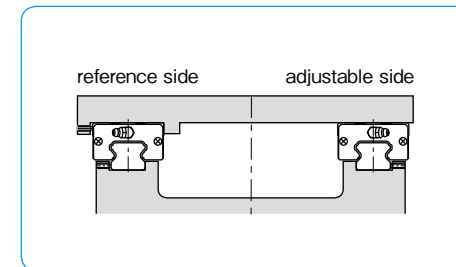


Figure A-10 Using Side Plate

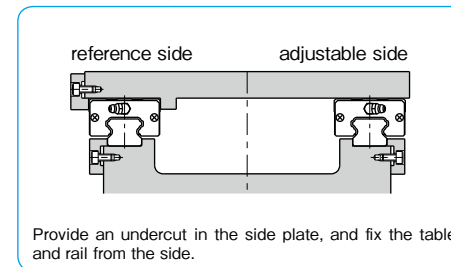
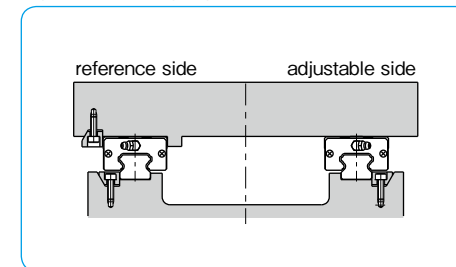


Figure A-12 Using Tapered Gib



- Applications where light load and low speed are involved.

Figures A-13~15 show the mounting methods when high accuracy is not required or the load capacity of the slide guide is sufficient due to a light load or low speed. In these cases, side pieces or reference surface may not be required.

Figure A-14 No Reference Surface on Adjustable Side

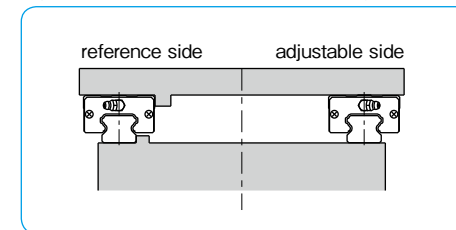


Figure A-13 Without Side Piece

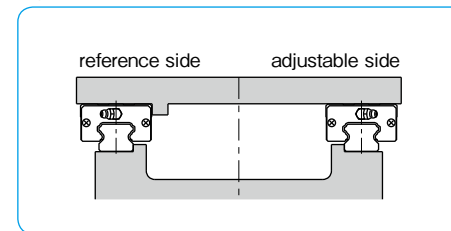
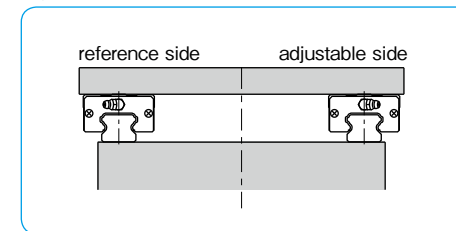


Figure A-15 Without Reference Surface



### Mounting Procedure

When reference surfaces are provided for both the table and the base, please follow the following procedure to mount the slide guide.

1. Remove burrs, scratches, dust, etc. from the base and table. Apply a low viscosity oil to the base and the table. Place the slide guide on the base carefully. Temporarily fix the rail mounting screws. (Figure A-16a)

2. Tighten the screw for the side piece so that the installation reference surface and the rail reference surface are in close contact. (Figure A-16b) If a side piece is not provided, use a C clamp to position the mounting reference surface and the rail reference surface so that they contact each other. (Figure A-16d)

3. Tighten the mounting screws to the specified torque, and complete the mounting of the rail. The rail is designed so that its accuracy is optimum when the screws are tightened to the specified value. Please refer to the recommended torque table for each product type. (Figure A-16c)

4. Repeat steps 2 and 3 for the rail on the adjustable side.

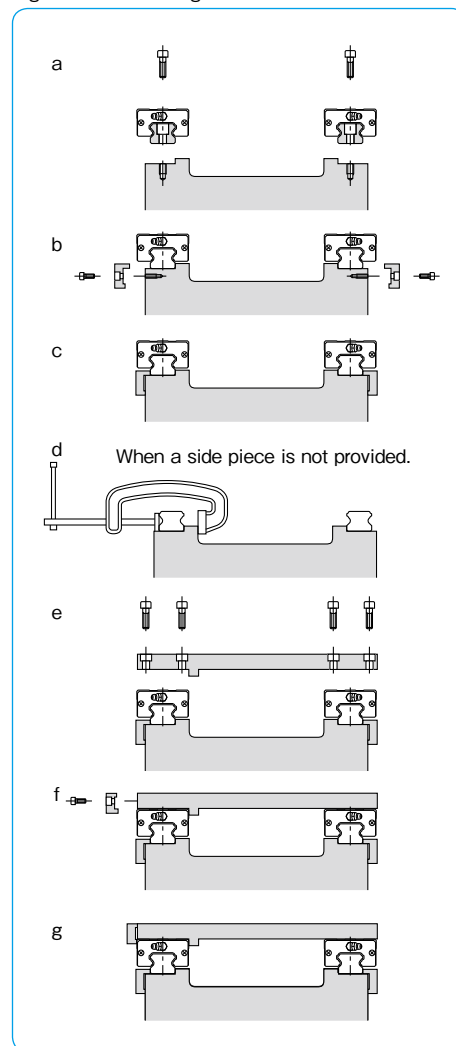
5. Move the blocks at the mounting location of the table, and place the table gently. Then slightly tighten the screws. (Figure A-16e)

6. Fix the reference surface of the block against the table by the side piece. Tighten the mounting screws in a diagonal sequence. (Figure A-16f)

7. In the same manner, tighten the mounting screws for the blocks on the adjustable side. (Figure A-16g)

8. Finally, move the table through the stroke length to check if thrust is even. Please repeat 5 and 6 ( 2 to 6 when necessary) if thrust is not even. If thrust is even, please do a final tightening of the screws.

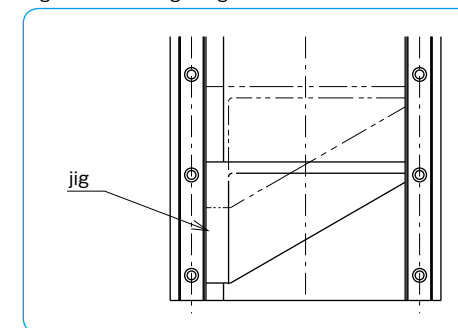
Figure A-16 Mounting Method



### When the Reference Surface is Not Provided on the Adjustable Side

When a reference surface is not provided on the adjustable side, mount the 2 rails in parallel by using a jig, as mounted in Figure A-17. After mounting the reference-side guide, install the adjustable-side guide by moving the table to achieve parallelism.

Figure A-17 Using a Jig



### When the Reference Surface is Not Provided on the Reference Side

When a reference surface is not provided on the reference side, mount the 2 rails by using a reference surface close to the slide guide.

Temporarily fix the slide guide to the base, and mount an indicator on a measurement plate. Please fix the measurement plate on two or more blocks. (Figure A-18)

Place the indicator against the reference surface of the base. Tighten the screws from one end of the rail to ensure straightness.

If there is no reference surface close-by, use a straight edge to achieve straightness. (Figure A-19)

Figure A-18 Using Base Reference Surface

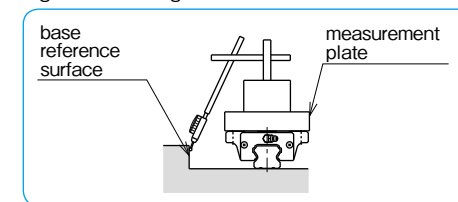
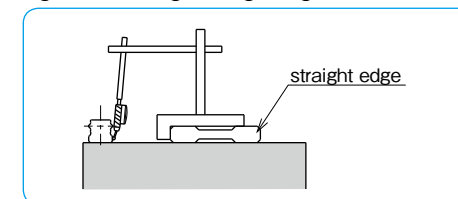


Figure A-19 Using a Straight Edge

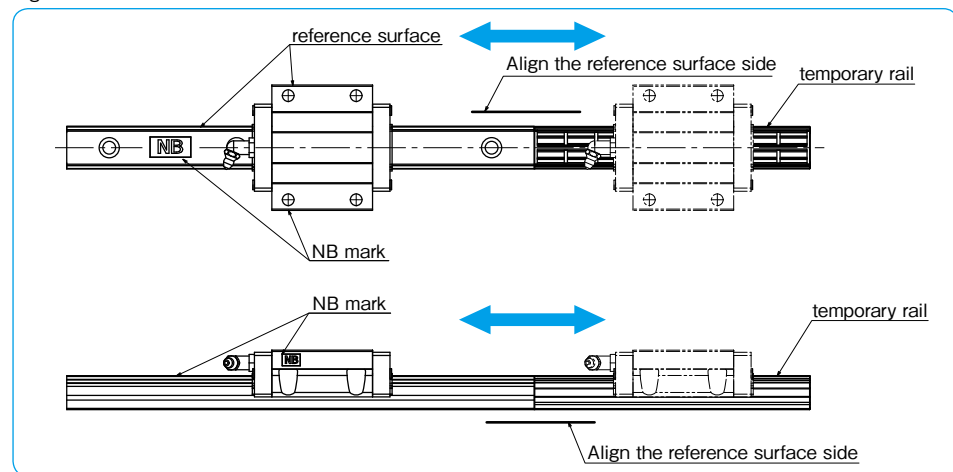


USE AND HANDLING PRECAUTIONS

NB Slide Guides are accurately tuned precision components. Please pay special attention to the following notes.

- Please install the Slide Guide as a set. It is not recommended to remove the block for installation.
- When block removal is necessary, please use a temporary (plastic dummy) rail to prevent balls from dropping out.
- To put a guide block on the rail, as the pictures below show, align the reference surface and the height between the rail and a temporary rail. It is very important to maintain the original combination of block(s) and rail.

Figure A-20 How to Put Guide Block on



- Please do not turn around a block on the rail to change the grease-fitting orientation. Relocate fitting to the opposite end by removing red plug, and re-insert red plug to where fitting was originally.
- Never try to disassemble the block. This will most assuredly void warranty of the product.
- Please remove burrs, dust, or any other debris from the base and table before installation.
- Slide Guides are pre-lubricated for immediate use. Please relubricate with a similar type of grease regularly. Special lubricants must be matched with the same type of grease to prevent contamination.
- The SEB(S) and SER(S) Slide Guides have metal clip stoppers (picture below) to avoid a block fall-out during shipment and assembly. Please remove the stoppers only after installation is finished with a screwdriver as these clips should not be used as 'mechanical' stoppers.

JOINT RAILS

Rails can be joined together to obtain a length which exceeds the maximum length. There are two ways to do this.

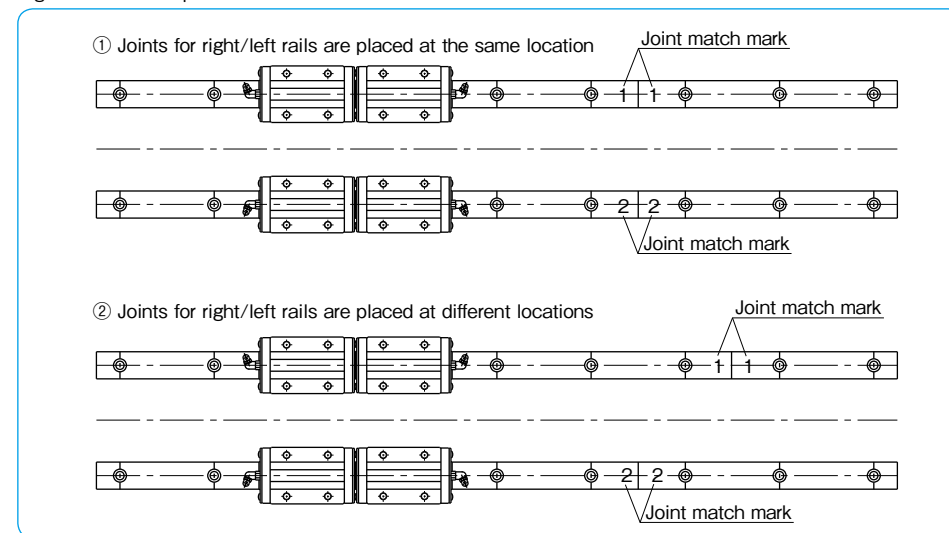
- Place the joints at the same location for the right and left rails so as to make the design and maintenance simple (Figure A-21 ①).
- Place the joints for the right and left rails at different locations so that the block does not move over the two joints at the same time so as to minimize the effect of the joint on accuracy (Figure A-21 ②).

Please keep the following points in mind when using joint rails.

- To avoid dislocation at joints due to shock loading, provide a shoulder at the joint on the installation side.
- If a shoulder cannot be provided, make sure that any excess load does not change the rail position.
- Use the joint marks provided for installation.
- Tightly butt the rails to be joined so that there is no gap between them.
- Make sure the reference surface side of the joint rails to be aligned.

Note: Joined rails are available for SGL and SGW series with standard grade, high grade, and with standard preload. For joined rails on SEB series, please contact NB. Joined rails are not available for SER series.

Figure A-21 Examples of Joined Guide Rails



**DUST PREVENTION**

**Seals**

**Side-Seal**

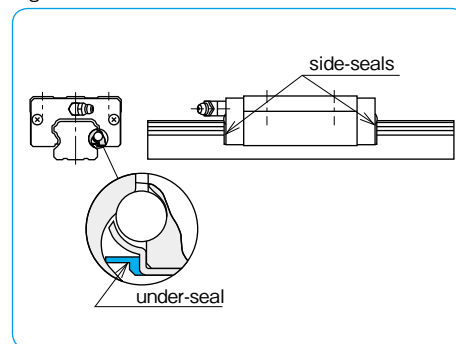
(Series: SEB, SER, SGL, and SGW)

The side-seals prevent foreign particles and dust from entering the guide block in order to retain the motion accuracy, resulting in a long lifetime.

**Under-Seal (Series: SGL and SGW)**

Slide guides with side and under-seals are used in harsh environments or to prevent dust entering from below.

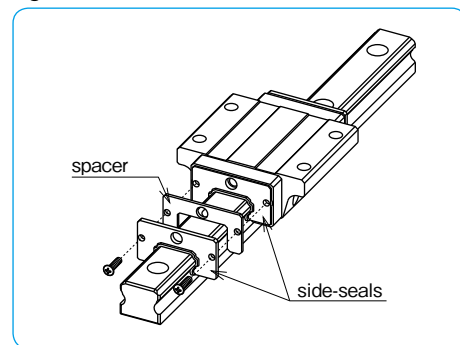
Figure A-22 Side-Seal and Under-Seal



**Double Side-Seal Option (Series: SGL)**

With this option, the prevention against dust is greatly improved. This option is ideal for use in applications where bellows or covers are not able to be fitted over the slide guide system.

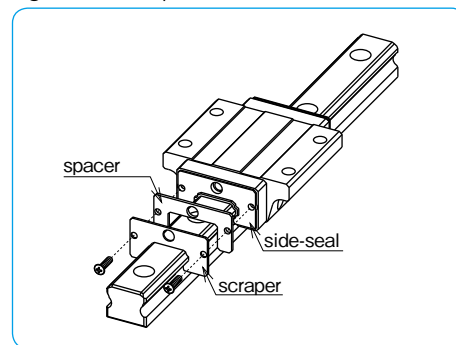
Figure A-23 Double Side-Seal



**Scraper Option (Series: SGL)**

When the application environment has unfavorable foreign matter or debris such as welding splatter or cutting debris, the scraper option provides an effective protective measure for the slide guide system.

Figure A-24 Scraper



**No Side-Seal (Series: SEB and SER)**

When the presence of dust or debris is extremely low and only minor motion resistance is desired, a no side-seal option is available. Be aware that, with this option, dust prevention can not be expected.

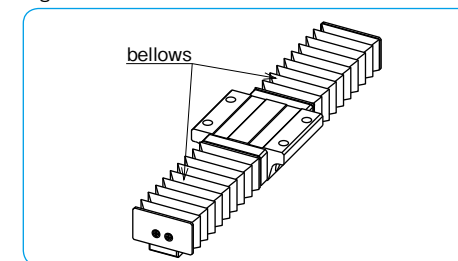
**Double Side-Seal + Scraper Option (Series: SGL)**

Double side-seal plus scraper is also optional. Please contact NB for details.

**Bellows Option (Series: SGL)**

This option fully covers the guide rail preventing dust, debris, and other foreign particles from disrupting the smooth linear motion. (Refer to page A-18 for further details)

Figure A-25 Bellows



**Special Rail Mounting Caps**

For SGL and SGW guides, special rail mounting caps are available to prevent dust from entering the mounting holes.

These caps are installed, after the rail is fixed to the base, by using a jig and slowly inserting them into the holes until their top surface is flush with the rail surface.

Figure A-26 Special Cap

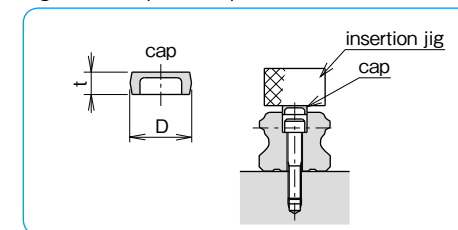


Table A-3 Special Cap

part number	dimensions		applicable part number		
	D mm	t mm	SGL-F,E, TF,TE	SGL-HTF,HYF HTE,HYE,HTEX	SGW
F 3	6.1	1.3	15	—	—
F 4	7.6	1.1	15D	15	17,21,27
F 5	9.7	2.5	20	20	—
F 6	11.2	2.7	25,30	25	35
F 8	14.3	3.65	35	30,35	—
F12	20.3	4.65	—	45	—

**ANTI-CORROSION**

For anti-corrosion, the SEB/SER series and SGL-F/TF types are available in stainless steel material. Low temperature black chrome treatment can be specified for the SGL and SGW series. This treatment (LB) is suitable for applications where corrosion resistance is a requirement.

**LUBRICATION**

Lithium soap based grease is applied to NB slide guides prior to shipment for immediate use. Please relubricate with a similar type of grease periodically depending on the operating conditions.

The **Fiber Sheet** and Reverse-Seal are available which significantly extends relubrication period (refer to page A-16, A-17).

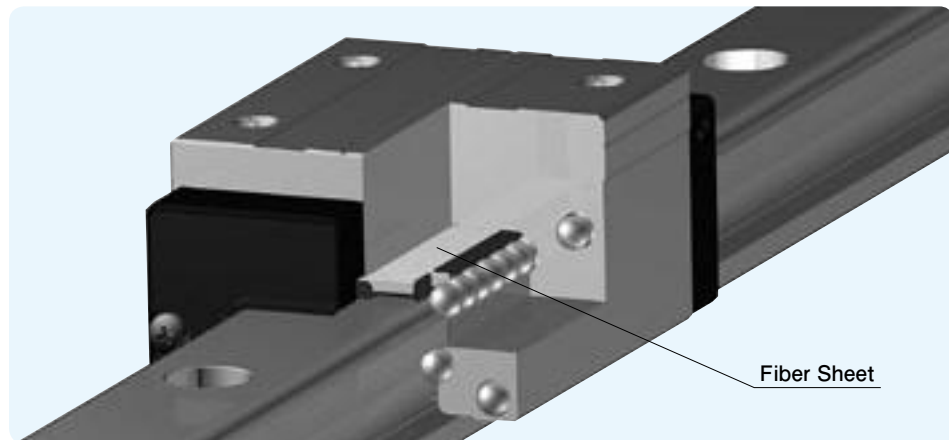
For use in clean rooms or vacuum environments, slide guides without grease or slide guides with customer specified grease are also available. Please contact NB.

NB also provides low dust generation grease. Please refer to page Eng-39 for details.

### FIBER SHEET

The Fiber Sheet for the SGL and SGW types, significantly extends lubricant replenishment intervals and has an excellent durability even under harsh conditions with dust and debris that absorb lubricant. Embedded in a block body, as shown in Figure A-27, it does not change the length of the block. In addition, the Fiber Sheet does not require any change in mounting dimensions, which allows replacement with existing products without a design change.

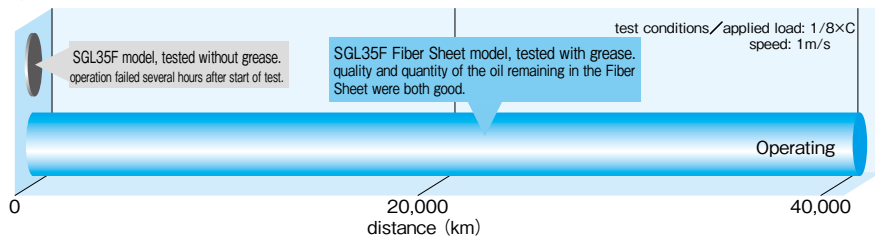
Figure A-27 Magnified View of the Fiber Sheet



### Simplified Lubrication Management

NB's Fiber Sheet is a fiber material with a porous structure containing the lubricant oil. The oil is supplied to the ball elements at the proper time and with the proper amount by the principle of capillarity, greatly increasing the relubrication period.

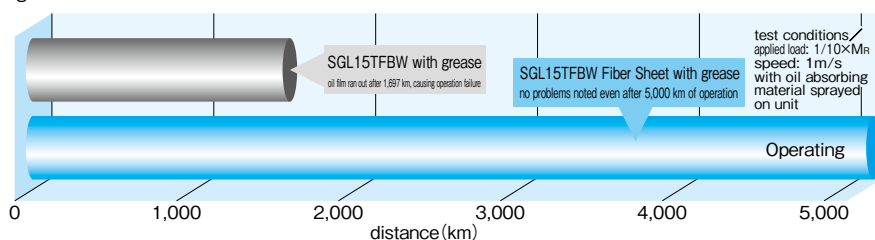
Figure A-28 Durability Test



### Outstanding Durability Even Under Poor Operating Conditions

An acceleration test was performed with oil absorbing material sprayed on the units to validate the SGL type's lubrication performance and durability even under poor operating conditions.

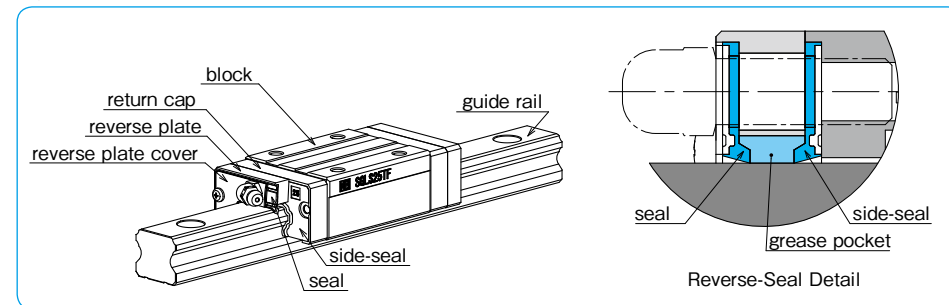
Figure A-29 Lubrication Acceleration Test



### REVERSE-SEAL

NB's Reverse-Seal is a seal unit that consists of reverse plate, seal, and cover. This seal unit has another side-seal in the reverse orientation to the block, which achieves maintenance free by reducing grease loss.

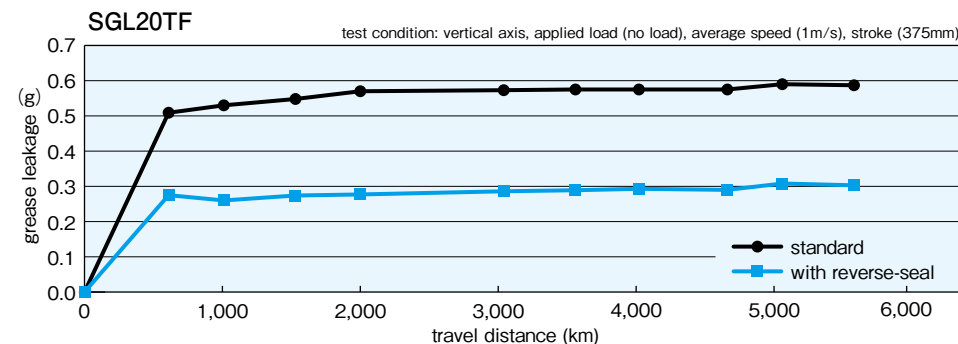
Figure A-30 Reverse-Seal



### Reducing Grease Leakage

The space between two seals holds grease to minimize a grease leakage from the block.

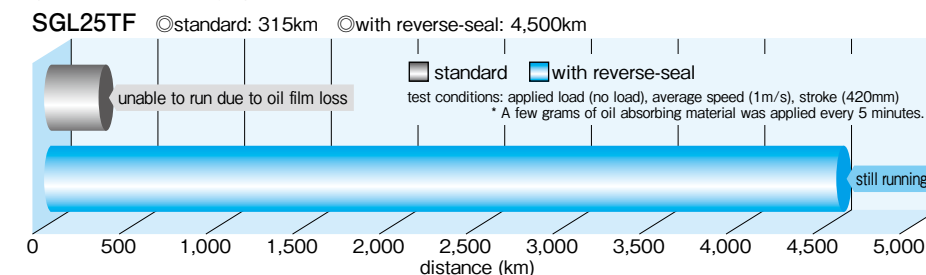
Figure A-31 Grease-leak Test Data



### Maintenance Free

Reverse-seal makes a "grease pocket" between two seals that realizes maintenance free by reducing grease leakage and loss.

Figure A-32 Grease Dry-up Test Data



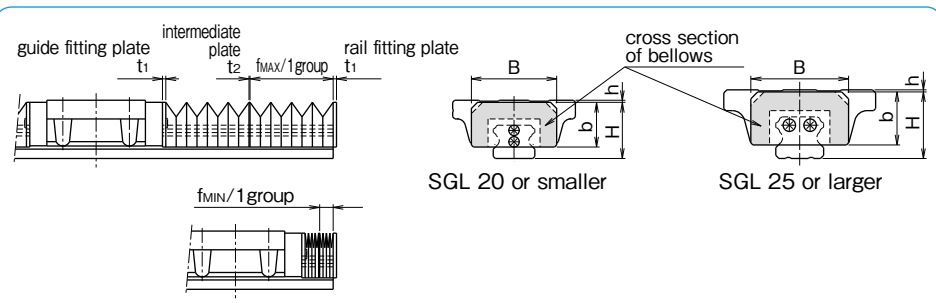
### Applicable Part Number

Reverse-Seal (BR option) is available on SGL15,20, and 25.

**BELLOWS**

By protecting the entire length of the guide rail, dust prevention is greatly enhanced. Please refer to Figure A-33 for dimensions. External dimensions and the stroke length of slide guide will change with use of bellows.

Figure A-33 Dimensions of Slide Guide with Bellows



Note: Please do not unfasten the guide fitting plate screws. The slide guide becomes unfunctional if the guide fitting plate is removed.

part number	B	H	h	b	t1	t2	f <sub>MAX</sub> /1group	f <sub>MIN</sub> /1group
SGL15F/TF/E/TE	33	23	1	19	1.5	1.0	32	6.5
SGL15HTE/HYE/HTEX			5					
SGL15HTF/HYF			3					
SGL20F/TF/E/TE	41	27	1	21.5				
SGL20HTF/HYF/HTE/HYE/HTEX			3					
SGL25F/TF/E/TE			1					
SGL25HTF/HYF	47	32	8	25.5				
SGL25HTE/HYE/HTEX			4					
SGL30F/TF/E/TE			2					
SGL30HTE/HYE/HTEX	58	40	2	31				
SGL30HTF/HYF			5					
SGL35F/TF/E/TE			2					
SGL35HTE/HYE/HTEX	68	46	2	37				
SGL35HTF/HYF			9					
SGL45HTE/HYE/HTEX			1					
SGL45HTF/HYF	84	59	1	50	2.0	72		
SGL45HTF/HYF			11					

Note: 1 group indicates the minimum unit of bellows. Please specify the required stroke length.  
 When bellows are fitted to the guide block, the grease fitting cannot be installed.  
 The allowable temperature is up to 60°C if the system has a bellows option.  
 Please contact NB for details on the installation of bellows, as well as for special application usage.

**Calculation Method of Length of Bellows and Slide Guide Rail**

Example: In this case, one(1) piece of SGL15TE guide block is mounted on a rail with bellows; the required stroke is 440mm.

Number of groups required for a stroke of 440mm is calculated as follows.

$$\frac{\text{Stroke}}{f_{\text{MAX}} - f_{\text{MIN}}} = \frac{440}{32 - 6.5} = 17.2 \approx 18 \text{ groups (round up)}$$

When 18 groups of bellows are fitted, the maximum length  $f_1$  is calculated:  
 $f_1 = \text{guide fitting plate} + 1\text{group } f_{\text{MAX}} \times \text{number of groups} + \text{intermediate plate} \times (\text{number of groups} - 1)$   
 $= 1.5 + 32 \times 18 + 1.0 \times (18 - 1) = 594.5$

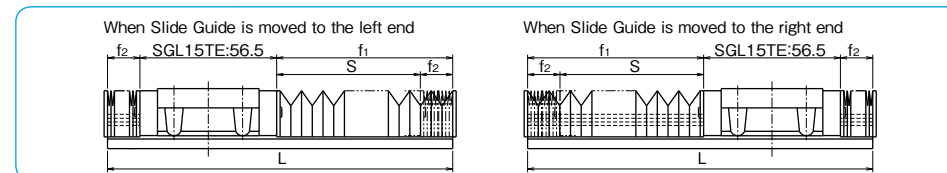
When 18 groups of bellows are fitted, the minimum length  $f_2$  is calculated:  
 $f_2 = \text{guide fitting plate} + 1\text{group } f_{\text{MIN}} \times \text{number of groups} + \text{intermediate plate} \times (\text{number of groups} - 1)$   
 $= 1.5 + 6.5 \times 18 + 1.0 \times (18 - 1) = 135.5$

With these calculation results, stroke limit (S) and length of the guide rail needed (L) are obtained as follows:

$$S = f_1 - f_2 = 594.5 - 135.5 = 459$$

$$L = f_1 + f_2 + \text{SGL15TE block} = 594.5 + 135.5 + 56.5 = 786.5 \approx 787 \text{ (round up)}$$

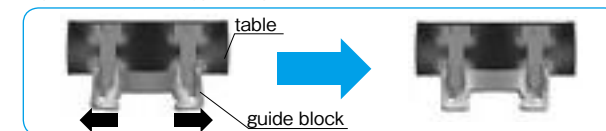
Figure A-34 External Diagram of Slide Guide with Bellows Attached



**SEB TYPE AD PROFILE (Anti-Deforming)**

The AD profile guide block can dissipate possible deformation by improved installation plane profile.

Figure A-35 SEB type AD profile



**Note:**

- When NB's unique AD Profile type miniature guide block is selected, the following precautions should be taken into consideration to perform to its utmost advantage.
- To obtain maximum AD (Anti-Deforming) effect, flatness of the mounting surface should be finished the same as motion accuracy of the slide guide.
- When the table is designed with one guide block on one guide rail, the utmost AD effect is anticipated.
- All screws on the slide guide block should be tightened to the equal torque value.
- The AD profile type guide block is available only with standard preload.
- AD profile type guide blocks are available only with following part numbers of slide guide block.

**Applicable Part Number**

Table A-4 AD profile Applicable Part Number

part number			
SEBS 7B	SEBS 7BM	—	SEBS 7A
SEBS 7BY	SEBS 7BYM		SEBS 7AY
SEBS 9B	SEBS 9BM	SEB 9A	SEBS 9A
SEBS 9BY	SEBS 9BYM	SEB 9AY	SEBS 9AY
SEBS12B	SEBS12BM	SEB12A	SEBS12A
SEBS12BY	SEBS12BYM	SEB12AY	SEBS12AY
SEBS15B	SEBS15BM	SEB15A	SEBS15A
SEBS15BY	SEBS15BYM	SEB15AY	SEBS15AY
SEBS20B	SEBS20BM	SEB20A	SEBS20A
SEBS20BY	SEBS20BYM	SEB20AY	SEBS20AY

**part number structure**

**SEBS 15B UU 2-589 N P AD**

AD profile

※Please contact NB for details.



# SLIDE GUIDE Miniature SEB Type

The NB slide guide SEB type is a linear motion bearing in which the ball elements roll along two raceway grooves. This is the smallest and lightest slide guide series offered by Nippon Bearing. The compact design allows for the size and weight of machinery and other equipment to be reduced.

## STRUCTURE AND ADVANTAGES

The SEB type slide guide consists of a rail with precisely machined raceway grooves and a block assembly consisting of the main body, return caps and ball elements.

### Retained Ball

Because of the ball retainers, the SEBS-B type is able to be removed from the guide rail, simplifying its installation and resulting in lower assembly costs.

### All Stainless Steel Type

By using stainless steel for the return caps, the SEBS-BM type is made from all stainless steel components, making it the ideal choice for special environments such as high temperature, clean room, or vacuum applications.

### Moment Resistant

A wide block (WB/WA) type, a long block (BY/AY) type, and a wide/long block (WBY/WAY) type are moment resistant slide guide types. The most

suitable type can be selected for any demanding operating condition.

### Tapped Hole Rail Type

For the SEB rails, counterbore (standard) and optional tapped hole (N) types are available enabling various installation methods.

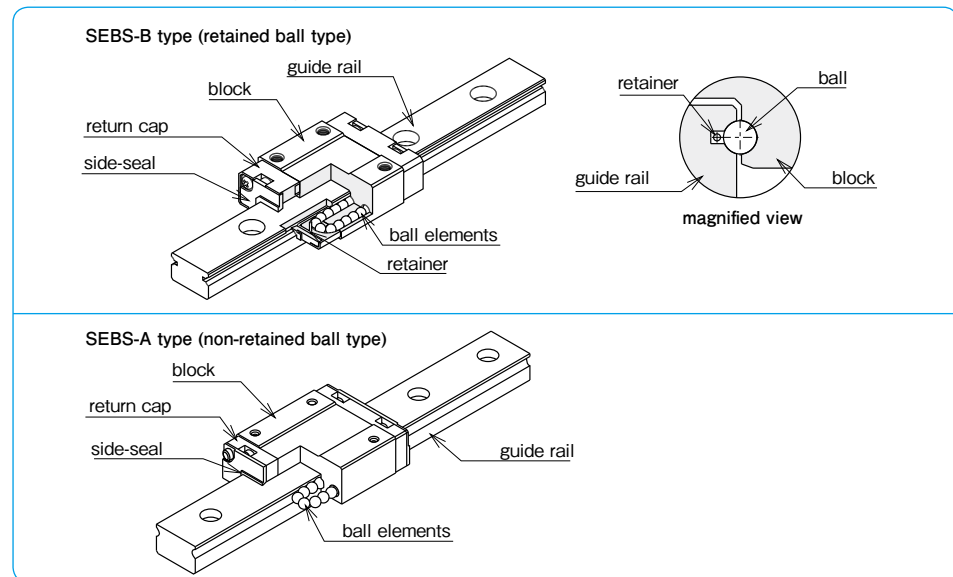
### Compact Design

SEB type has a 2-row, 4-point contact structure. This structure minimizes the installation height, which contributes to light-weight and miniaturization of machinery and equipment.

### AD Profile

AD profile dissipates guide block deformation caused by installation. (refer to page A-19)

Figure A-36 Structure of SEB type Slide Guide



## TYPES

The SEB(S) type slide guides are categorized according to their block shape and the rail installation method.

Table A-5 Type ※All the SEB blocks are made of stainless steel (SEBS marking).

		short block standard type rail(counterbore) N type rail(tapped hole)	standard block standard type rail(counterbore) N type rail(tapped hole)	long block standard type rail(counterbore) N type rail(tapped hole)
retained ball type	all stainless steel	SEBS-BS type SEBS-BS-N type  P.A-26~	SEBS-B type SEBS-B-N type  P.A-26~	SEBS-BY type SEBS-BY-N type  P.A-26~
	wide type	SEBS-BSM type SEBS-BSM-N type  P.A-26~	SEBS-BM type SEBS-BM-N type  P.A-26~	SEBS-BYM type SEBS-BYM-N type  P.A-26~
		SEBS-WBS type SEBS-WBS-N type  P.A-30~	SEBS-WB type SEBS-WB-N type  P.A-30~	SEBS-WBY type SEBS-WBY-N type  P.A-30~
non-retained ball type			SEB-A type SEB-A-N type  P.A-34~	SEB-AY type SEB-AY-N type  P.A-34~
	wide type		SEB-WA type SEB-WA-N type  P.A-38~	SEB-WAY type SEB-WAY-N type  P.A-38~

### ACCURACY

The SEB(S) slide guides are available in two grades of accuracy: high grade and precision grade (P).

Table A-6 Accuracy unit : mm

accuracy grade	high	precision
accuracy symbol	blank	P
allowable dimensional difference in height H	±0.020	±0.010
paired difference for height H	0.015	0.007
allowable dimensional difference in width W	±0.025	±0.015
paired difference for width W	0.020	0.010
running parallelism of surface C to surface A	refer to figure A-39,40	
running parallelism of surface D to surface B		

Figure A-37 Accuracy

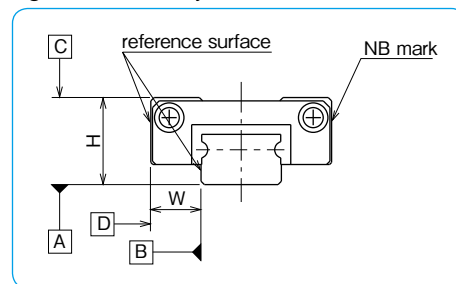
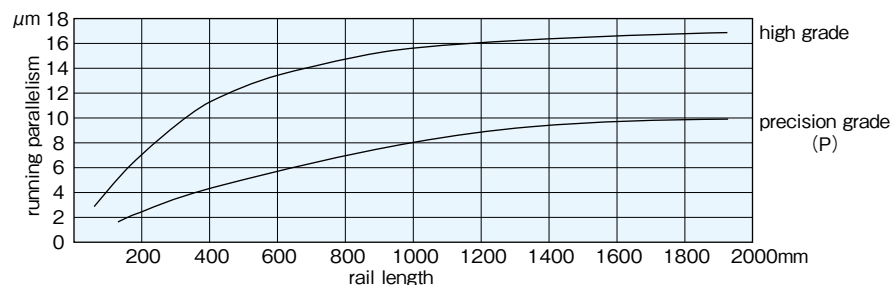


Figure A-38 Motion Accuracy



### PRELOAD

SEB(S) slide guides are available with a standard preload (blank), light preload (T1), and a positive-clearance (T0).

Table A-7 Preload Symbol and Radial Clearance unit : μm

size	preload and symbol		
	clearance T0	standard blank	light* T1
2	+1~+3	-	-
3			
5			
7	+3~+6	-3~0	-4~-2
9			
12			
15	+4~+8	-3~0	-7~-3
20			
3W			
5W	+1~+3	-1~0	-
7W	+3~+6	-3~0	-4~-2
9W			
12W			
15W	+4~+8	-1~0	-7~-3

Table A-8 Operating Conditions and Preload

preload	symbol	operating conditions
clearance	T0	light motion is required. installation errors to be absorbed.
standard	blank	minute vibration is applied. accurate motion is required. moment is applied in a given direction.
light*	T1	light vibration is applied. light torsional load is applied. moment is applied.

\* Frictional resistance may be affected by preload.

### LOAD RATING

The load rating for SEB(S) slide guides depends on the direction of load.

Table A-9 Load Rating

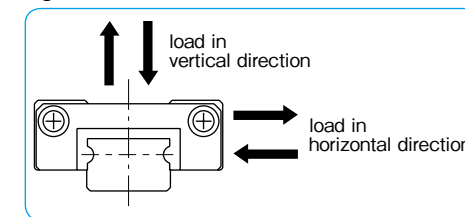
		retained ball type	non-retained ball type
basic dynamic load rating	vertical	1.00×C	1.00×C
	horizontal	0.89×C	1.13×C
basic static load rating	vertical	1.00×C <sub>0</sub>	1.00×C <sub>0</sub>
	horizontal	0.84×C <sub>0</sub>	1.19×C <sub>0</sub>

### EQUIVALENT LOAD

For a guide to which vertical load and horizontal load are applied at the same time, calculate its static equivalent load using the following equation.

$$P = P_a + X \cdot P_s$$

Figure A-39 Direction of Load



P: equivalent load P<sub>a</sub>: vertical load P<sub>s</sub>: horizontal load  
X: 0.84 for SEB-A type; 1.19 for SEBS-B type

### RAIL LENGTH

Slide guides with most commonly used lengths are available as standard. For slide guides with a non-standard length, unless otherwise specified, the distance from one end of the rail to the first hole center (N) will be within the ranges listed in Tables A-10 and A-11, satisfying the following equation.

$$L = M \cdot P + 2N$$

L: length (mm) M: number of pitches P: hole pitch (mm)  
N: distance from the end of the rail to the first hole center (mm)

Figure A-40 Rail

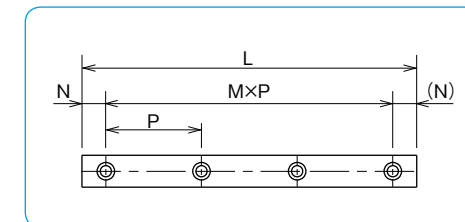


Table A-10 N Dimension (standard type) unit : mm

size	N	
	and over	less than
2	3	7
3		8
5		10.5
7	4	14
9		16.5
12		24
15	6	36
20		

Table A-11 N Dimension (wide type) unit : mm

size	N	
	and over	less than
3W	3	10.5
5W		14
7W	4	19
9W		
12W	5	25
15W		

**MOUNTING**

**Mounting Surface Profile**

Slide guides are mounted by pushing the reference surface of the rail and the block against the shoulder provided on the mounting surface. An undercut or a radius corner should be provided at the corner of the shoulder to prevent interference. The recommended shoulder height values on the mounting reference surface are shown in Table A-12. (Table A-13 for corner radius)

Figure A-41 Mounting Surface Profile-1

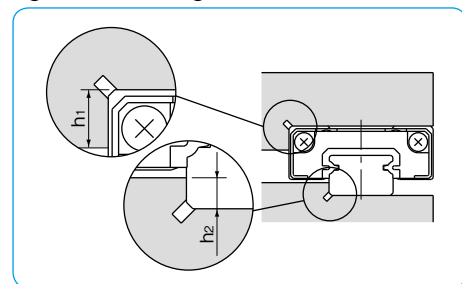


Figure A-42 Mounting Surface Profile-2

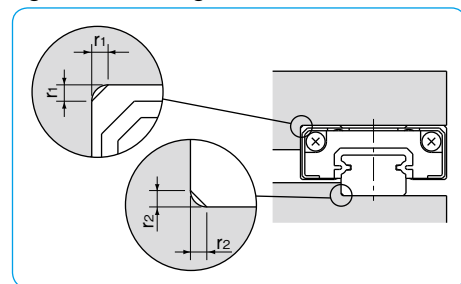


Table A-12 Shoulder Height on the Mounting Reference Surface unit : mm

size	shoulder height on the block side h <sub>1</sub>	shoulder height on the rail side h <sub>2</sub>
2	1	0.5
3	1.2	0.8
5	2	1
7	2.5	1
9	3	1.5
12	4	2
15	5	3.5
20	5	5
3W	1.5	0.8
5W	2	1
7W	3	1.5
9W	3	1.5
12W	4	2.5
15W	5	2.5

Table A-13 Maximum Corner Radius Values unit : mm

size	block mounting part r <sub>1</sub>	rail mounting part r <sub>2</sub>
2	0.1	0.1
3	0.15	0.1
5	0.3	0.3
7		
9		
12		
15	0.5	0.5
20		
3W	0.15	0.1
5W	0.3	0.3
7W		
9W		
12W		
15W		

**Recommended Torque Values**

The screws to fasten the rail should be tightened to an equal torque using a torque wrench in order to secure the motion accuracy. The recommended torque values are given in Table A-14. Please adjust the torque depending on the operating conditions.

Table A-14 Recommended Torque unit : N · m

size	M1	M1.4	M1.6	M2	M2.6	M3	M4	M5	M6
recommended torque	0.03	0.10	0.15	0.3	0.65	1.0	2.3	4.7	8.0

(for stainless steel screw A2-70)

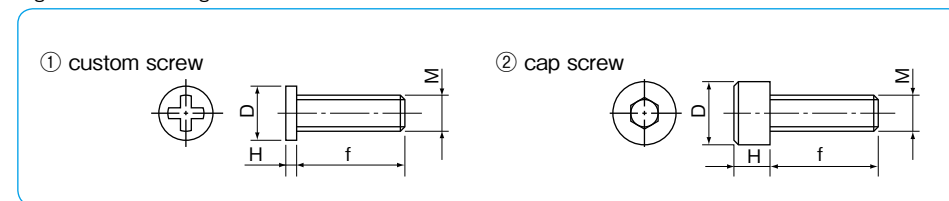
**MOUNTING SCREW**

Extremely small custom screws are available from NB.

Table A-15 Mounting Screw (stainless steel)

type	shape	size	D mm	H mm	pitch mm	f mm
custom screw	Figure A-43①	M1	1.8	0.45	0.25	3, 4, 5
		M1.4	2.5	0.8	0.3	2.5, 3, 4
		M1.6	2.3	0.5	0.35	4, 5, 6
		M2	3	0.6	0.4	6
cap screw	Figure A-43②	M2	3.8	2	0.4	4, 5, 6, 8, 10
		M2.6	4.5	2.6	0.45	4, 5, 6, 8, 10

Figure A-43 Mounting Screw



**LUBRICATION**

A high grade lithium soap based grease is applied to the NB slide guides prior to shipment for immediate use.

Please relubricate with a similar type of grease periodically depending on the operating conditions. For use in clean rooms or vacuum environments, NB slide guides without grease are available upon request. Please contact NB for customer specified grease types.

A special syringe lubricant dispenser (refer to Figure A-44) is available from NB as an option. In particular, the SEBS-B retained ball type has a special structure that allows the user to replenish lubricant easily (refer to page Eng-42), as the magnified view of Figure A-44 shows. Please refer to page Eng-39 for details on the low dust generation grease.

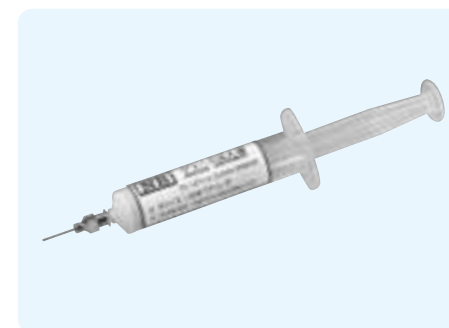
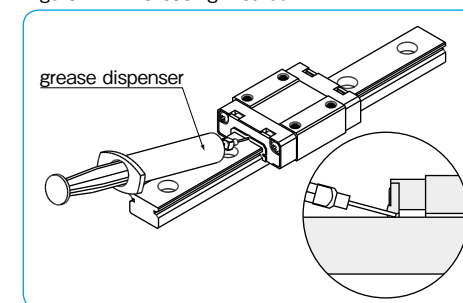
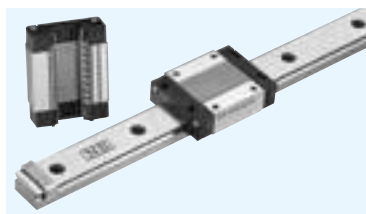


Figure A-44 Greasing Method



# SEBS-BS/B/BY TYPE SEBS-BSM/BM/BYM TYPE

— Retained Ball Type —



## part number structure

example **SEBS 7B Y M UU 2 T1 - 289 N P / W2**

SEBS: anti-corrosion

size

block

S: short

blank: standard

Y: long

return cap

blank: resin

M: stainless steel

seal

blank: without side-seal

UU: with side-seals

number of blocks attached to one rail

preload symbol

TO: clearance

blank: standard

T1: light

symbol for number of axes\*  
blank: single axis  
W2: 2 parallel axes  
W3: 3 parallel axes

accuracy grade  
blank: high  
P: precision

rail mounting hole  
blank: counterbore  
N: tapped hole

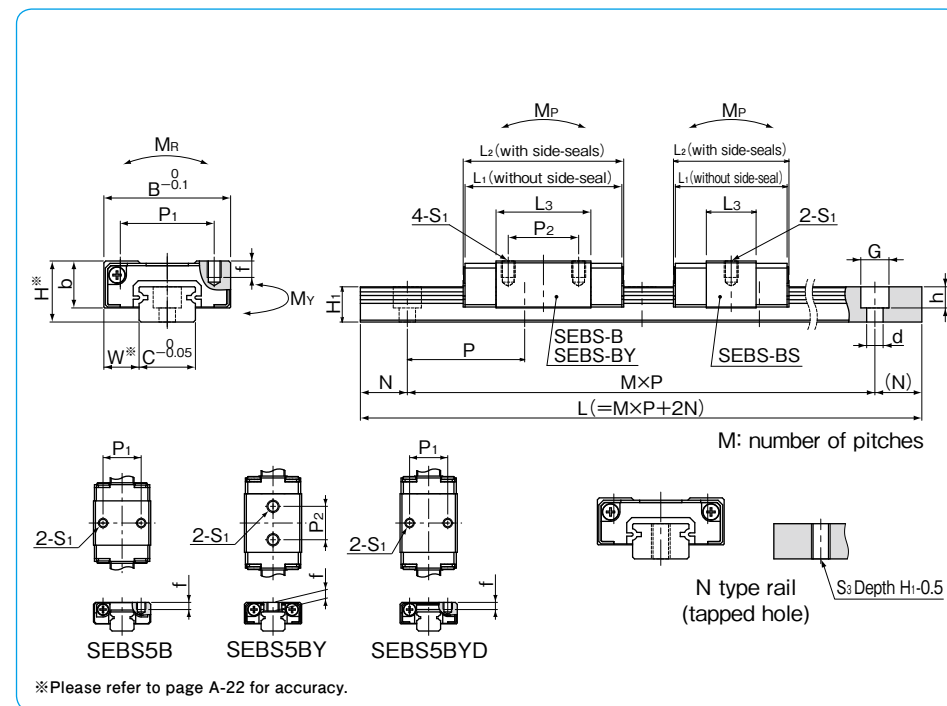
total length of rail

\* The symbol for the number of axes does not mean the number of rails ordered.

part number		assembly dimensions		block dimensions								
resin return cap	stainless return cap	H	W	B	L <sub>1</sub>	L <sub>2</sub>	P <sub>1</sub>	P <sub>2</sub>	S <sub>1</sub>	f	L <sub>3</sub>	b
mm	mm	mm	mm	mm	mm	mm	mm	mm	mm	mm	mm	mm
SEBS 5B	SEBS 5BM	6	3.5	12	16.5	16.9	8	—	M2	1.5	9.3	4.5
SEBS 5BY	SEBS 5BYM				19.5	19.9	—	7	M2.6	1.8	12.3	
SEBS 5BYD	SEBS 5BYDM				8	—	M2	1.5	—	—		
SEBS 7BS	SEBS 7BSM	8	5	17	18.2	19	—	—	—	—	8.8	6.5
SEBS 7B	SEBS 7BM				22.2	23	12	8	M2	2.5	12.8	
SEBS 7BY	SEBS 7BYM				31.7	32.5	—	13	—	—	22.3	
SEBS 9BS	SEBS 9BSM	10	5.5	20	20.5	21.3	—	—	—	—	10.1	7.8
SEBS 9B	SEBS 9BM				30	30.8	15	10	M3	3	19.6	
SEBS 9BY	SEBS 9BYM				39.5	40.3	—	16	—	—	29.1	

part number	standard rail length L mm															
SEBS 5B	40	55	70	85	100	115	130	145	160							
SEBS 7B	40	55	70	85	100	115	130	145	160	175	190	205	220	235	250	265
SEBS 9B	55	75	95	115	135	155	175	195	215	235	255	275	295	315	335	355

Rails exceeding the maximum specified length may be fabricated if joints are used. Please contact NB for assistance.

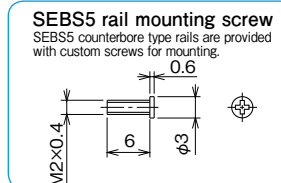


\*Please refer to page A-22 for accuracy.

guide rail dimensions						basic load rating		allowable static moment			mass		guide rail	block size
H <sub>1</sub>	C	d × G × h	S <sub>3</sub>	N	P	dynamic C	static Co	M <sub>P</sub>	M <sub>Y</sub>	M <sub>R</sub>	block g resin return cap	block g stainless return cap	g/100mm	block size
mm	mm	mm	mm	mm	mm	kN	kN	N · m	N · m	N · m	mm	mm		
4	5	2.4 × 3.5 × 0.8	M2.6	5	15	0.52	0.75	1.13 7.86	0.95 6.59	1.96	3	4	13	5B
						0.64	1.00	1.94 12.0	1.63 10.0	2.62	4	5	13	5BY
4.7	7	2.4 × 4.2 × 2.3	M3	5	15	0.92	1.05	1.57 13.6	1.32 11.4	3.86	7	10	21	7BS
						1.28	1.69	3.66 25.4	3.07 21.3	6.18	9	12	21	7B
						1.90	2.95	10.4 59.1	8.74 49.6	10.8	15	18	21	7BY
5.5	9	3.5 × 6 × 3.5	M4	7.5	20	1.05	1.26	2.17 18.2	1.82 15.2	5.90	11	15	31	9BS
						1.70	2.53	7.78 48.2	6.53 40.4	11.8	18	22	31	9B
						2.26	3.80	16.8 91.7	14.1 77.0	17.7	27	31	31	9BY

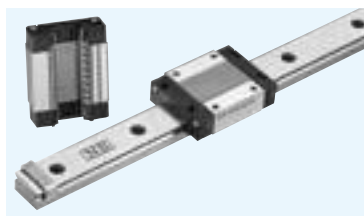
M<sub>P2</sub> and M<sub>Y2</sub> are allowable static moments when two blocks are used in close contact. 1kN ≒ 102kgf 1N · m ≒ 0.102kgf · m

			maximum length mm	
			counterbore	tapped hole (N type)
			600	300
280	295	310	1,300	700
375	395	415	1,480	1,000



# SEBS-BS/B/BY TYPE SEBS-BSM/BM/BYM TYPE

— Retained Ball Type —



## part number structure

example **SEBS 15B Y M UU 2 T1 - 589 N P/W2**

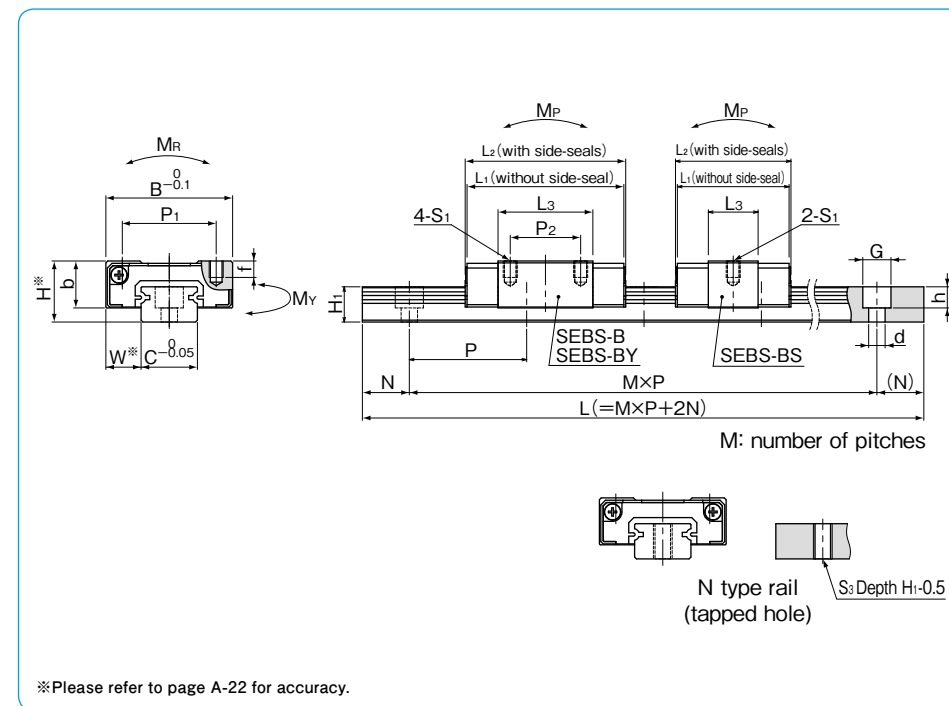
SEBS: anti-corrosion	size	block	return cap	seal	number of blocks attached to one rail	preload symbol	total length of rail	symbol for number of axes*	accuracy grade	rail mounting hole
S: short	blank: standard	blank: resin	blank: without side-seal	blank: without side-seal	blank: high	TO: clearance	blank: counterbore	blank: single axis	blank: high	blank: counterbore
Y: long		M: stainless steel	UU: with side-seals	UU: with side-seals	P: precision	blank: standard	N: tapped hole	W2: 2 parallel axes		N: tapped hole
						blank: standard		W3: 3 parallel axes		
						T1: light				

\* The symbol for the number of axes does not mean the number of rails ordered.

part number		assembly dimensions		block dimensions								
resin	stainless	H	W	B	L1	L2	P1	P2	S1	f	L3	b
return cap	return cap	mm	mm	mm	mm	mm	mm	mm		mm	mm	mm
SEBS12BS	SEBS12BSM	13	7.5	27	24.2	24.6	20	—	M3	3.5	10.6	10
SEBS12B	SEBS12BM				33.8	34.2		15			20.2	
SEBS12BY	SEBS12BYM				45.7	46.1		20			32.1	
SEBS15BS	SEBS15BSM	16	8.5	32	30	30.4	25	—	M3	4	15	12
SEBS15B	SEBS15BM				42.6	43		20			27.6	
SEBS15BY	SEBS15BYM				58.6	59		25			43.6	
SEBS20B	SEBS20BM	25	13	46	65.9	65.9	38	38	M4	6	44.7	17.5
SEBS20BY	SEBS20BYM				85.7	85.7					64.5	

part number	standard rail length L mm															
SEBS12B	70	95	120	145	170	195	220	245	270	295	320	345	370	395	420	445
SEBS15B	70	110	150	190	230	270	310	350	390	430	470	510	550	590	630	670
SEBS20B	220	280	340	400	460	520	580	640	700	760	820	880	940	1,000		

Rails exceeding the maximum specified length may be fabricated if joints are used. Please contact NB for assistance.



\*Please refer to page A-22 for accuracy.

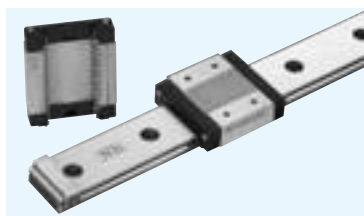
guide rail dimensions						basic load rating		allowable static moment			mass		guide rail	block size	
H1	C	d × G × h	S3	N	P	dynamic C	static Co	Mp	My	Mr	block g resin return cap	block g stainless return cap			
mm	mm	mm		mm	mm	kN	kN	N · m	N · m	N · m	g/100mm	g/100mm			
7.5	12	3.5 × 6 × 4.5	M4	10	25	1.90	1.91	3.63	3.04	11.9	21	30	59	12BS	
						3.09	3.82	12.4	10.4	23.9	35	44			12B
						4.34	6.21	81.3	68.2	38.8	53	62			
9.5	15	3.5 × 6 × 4.5	M5	15	40	3.49	3.38	8.56	7.18	26.2	40	53	97	15BS	
						5.65	6.76	67.5	56.6	52.4	64	77			15BY
						7.93	10.9	29.2	24.5	85.1	98	110			

Mp2 and My2 are allowable static moments when two blocks are used in close contact. 1kN ≒ 102kgf 1N · m ≒ 0.102kgf · m

		maximum length mm	
		counterbore	tapped hole (N type)
470	495	1,480	1,000

# SEBS-WBS/WB/WBY TYPE

– Retained Ball · Wide Type –



## part number structure

example **SEBS 7WB Y UU 2 T1 - 289 N P / W2**

SEBS: anti-corrosion

size

block  
**S**: short  
**blank**: standard  
**Y**: long

seal  
**blank**: without side-seal  
**UU**: with side-seals

number of blocks attached to one rail

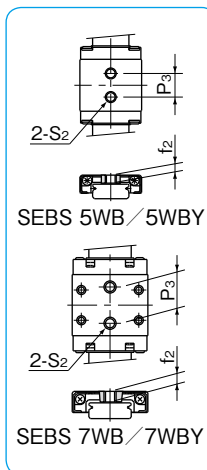
preload symbol  
**TO**: clearance  
**blank**: standard  
**T1**: light

symbol for number of axes\*  
**blank**: single axis  
**W2**: 2 parallel axes  
**W3**: 3 parallel axes

accuracy grade  
**blank**: high  
**P**: precision

rail mounting hole  
**blank**: counterbore  
**N**: tapped hole

total length of rail

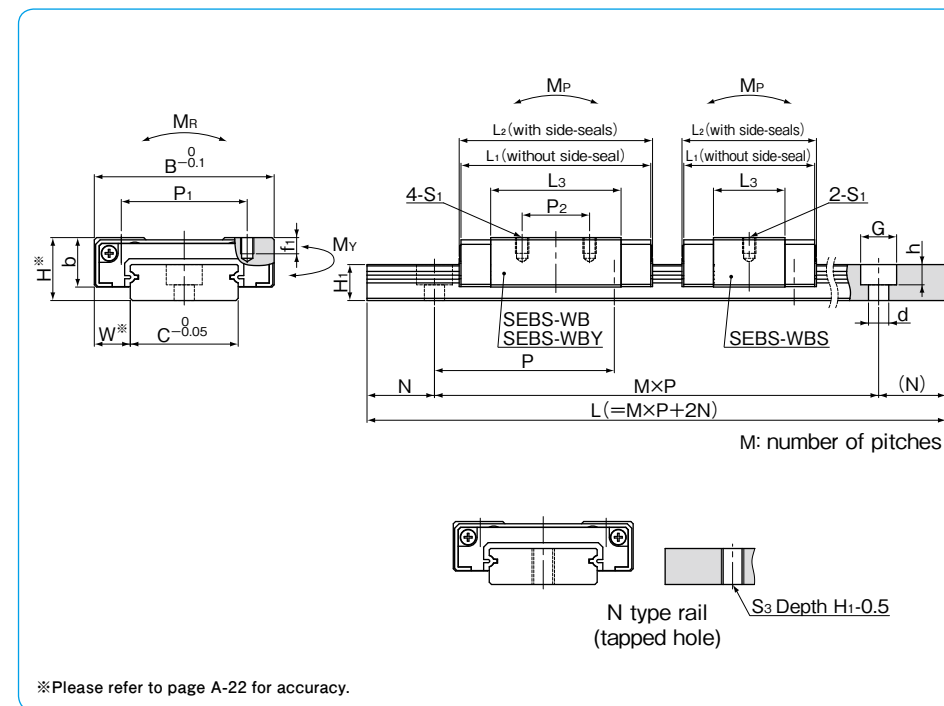


\* The symbol for the number of axes does not mean the number of rails ordered.

part number	assembly dimensions			block dimensions											
	H	W	B	L <sub>1</sub>	L <sub>2</sub>	P <sub>1</sub>	P <sub>2</sub>	S <sub>1</sub>	f <sub>1</sub>	L <sub>3</sub>	P <sub>3</sub>	S <sub>2</sub>	f <sub>2</sub>	b	
	mm	mm	mm	mm	mm	mm	mm		mm	mm	mm		mm	mm	
SEBS 5WB	6.5	3.5	17	21.5	21.9	—	—	—	—	14.3	6.5	M3	2.3	5	
SEBS 5WBY				27.5	27.9					20.3	11				
SEBS 7WBS	9	5.5	25	21.1	21.9	19	10	M3	2.8	10.7	—	M4	3.5	7	
SEBS 7WB				30.6	31.4					20.2	12				
SEBS 7WBY				39.3	40.1					28.9	18				
SEBS 9WBS	12	6	30	24.2	25	21	—	M3	3	13	—	—	—	9	
SEBS 9WB				37.5	38.3					26.3					—
SEBS 9WBY				49.5	50.3					23					24

part number	standard rail length														
	L mm														
SEBS 5WB	50	70	90	110	130	150	170	190							
SEBS 7WB	50	80	110	140	170	200	230	260	290	320	350	380	410	440	470
SEBS 9WB	50	80	110	140	170	200	230	260	290	320	350	380	410	440	470

Rails exceeding the maximum specified length may be fabricated if joints are used. Please contact NB for assistance.  
 The minimum standard rail can not be used for SEBS 9 WBY.



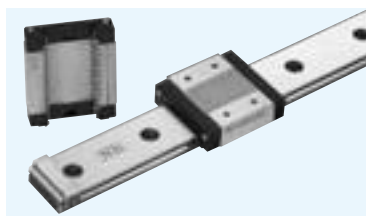
guide rail dimensions							basic load rating			allowable static moment			mass		block size
H <sub>1</sub>	C	B <sub>1</sub>	d × G × h	S <sub>3</sub>	N	P	dynamic C	static C <sub>0</sub>	M <sub>P2</sub>	M <sub>Y2</sub>	M <sub>R</sub>	block	guide rail		
mm	mm	mm	mm		mm	mm	kN	kN	N · m	N · m	N · m	g	g/100mm		
4	10	—	3 × 5.5 × 3	M3	5	20	0.71	1.17	2.60	2.18	5.99	7	26		
							0.91	1.68	5.16	4.33	8.56	10			
5.2	14	—	3.5 × 6 × 3.2	M4	10	30	1.05	1.26	2.17	1.82	9.07	12	51		
							1.71	2.53	7.78	6.53	18.1	20			
							2.26	3.80	16.8	14.1	27.2	28			
7.5	18	—	3.5 × 6 × 4.5	M4	10	30	1.73	2.01	4.35	3.65	18.6	21	96		
							2.96	4.36	18.1	15.2	40.4	37			
							3.87	6.38	37.4	31.4	59.0	52			

M<sub>P2</sub> and M<sub>Y2</sub> are allowable static moments when two blocks are used in close contact. 1kN ≃ 102kgf 1N · m ≃ 0.102kgf · m

	maximum length mm	
	counterbore	tapped hole (N type)
	600	500
	1,300	700
500 530	1,480	1,000

# SEBS-WBS/WB/WBY TYPE

– Retained Ball • Wide Type –



## part number structure

example **SEBS15WB Y UU 2 T1 -539 N P /W2**

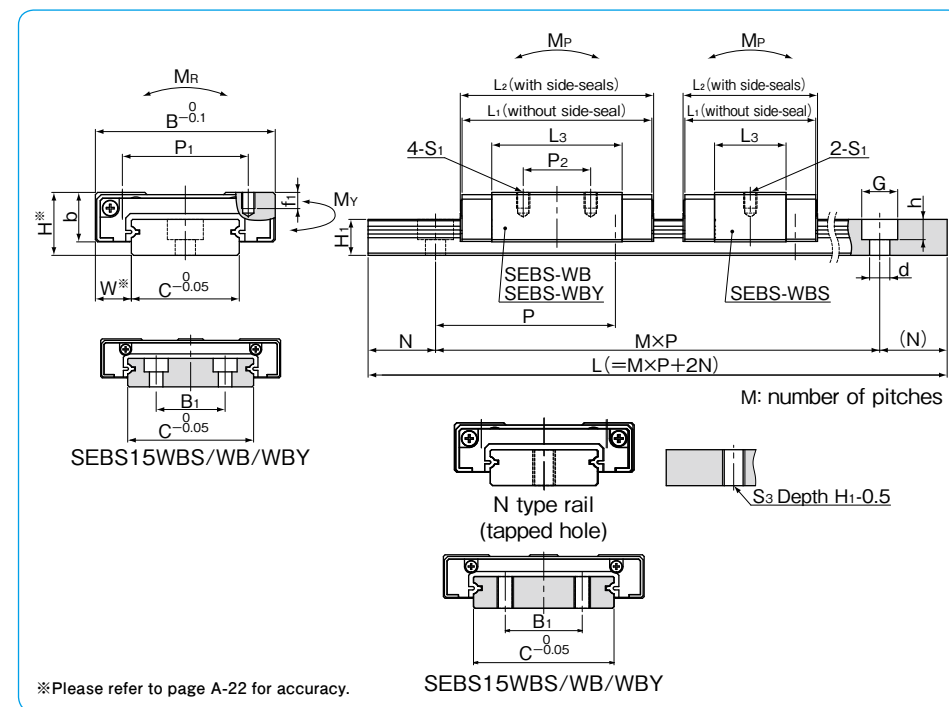
- SEBS**: anti-corrosion
- size**
- block**  
**S**: short  
**blank**: standard  
**Y**: long
- seal**  
**blank**: without side-seal  
**UU**: with side-seals
- number of blocks attached to one rail**
- preload symbol**  
**T0**: clearance  
**blank**: standard  
**T1**: light
- symbol for number of axes\***  
**blank**: single axis  
**W2**: 2 parallel axes  
**W3**: 3 parallel axes
- accuracy grade**  
**blank**: high  
**P**: precision
- rail mounting hole**  
**blank**: counterbore  
**N**: tapped hole
- total length of rail**

\* The symbol for the number of axes does not mean the number of rails ordered.

part number	assembly dimensions		block dimensions											
	H	W	B	L <sub>1</sub>	L <sub>2</sub>	P <sub>1</sub>	P <sub>2</sub>	S <sub>1</sub>	f <sub>1</sub>	L <sub>3</sub>	P <sub>3</sub>	S <sub>2</sub>	f <sub>2</sub>	b
	mm	mm	mm	mm	mm	mm	mm	mm	mm	mm	mm	mm	mm	mm
<b>SEBS12WBS</b>				29.7	30.1		—			15.9				
<b>SEBS12WB</b>	14	8	40	42.8	43.2	28	15	M3	3.5	29	—	—	—	11
<b>SEBS12WB Y</b>				58.3	58.7		28			44.5				
<b>SEBS15WBS</b>				39.4	39.8		—			24				
<b>SEBS15WB</b>	16	9	60	54.2	54.6	45	20	M4	4.5	38.8	—	—	—	13
<b>SEBS15WB Y</b>				73.3	73.7		35			57.9				

part number	standard rail length														
	L mm														
<b>SEBS12WB</b>	70	110	150	190	230	270	310	350	390	430	470	510	550	590	630
<b>SEBS15WB</b>	70	110	150	190	230	270	310	350	390	430	470	510	550	590	630

Rails exceeding the maximum specified length may be fabricated if joints are used. Please contact NB for assistance.  
 The minimum standard rail can not be used for SEBS 15 WB Y.

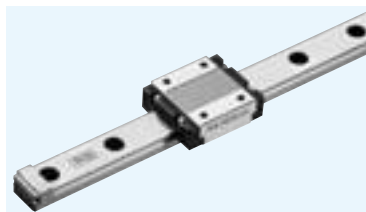


guide rail dimensions							basic load rating			allowable static moment			mass		block size		
H <sub>1</sub>	C	B <sub>1</sub>	d×G×h	S <sub>3</sub>	N	P	dynamic C	static C <sub>0</sub>	M <sub>P</sub>	M <sub>Y</sub>	M <sub>R</sub>	block	guide rail				
mm	mm	mm	mm		mm	mm	kN	kN	N·m	N·m	N·m	g	g/100mm				
8	24	—	4.5×8×4.5	M5	15	40	2.53	2.86	7.38	6.19	35.1	43	137				
							4.10	5.73	26.4	22.1	70.2	71					
							5.45	8.60	57.1	47.9	105	106					
9.5	42	23					4.5×8×4.5	M5	15	40	5.15	5.91	22.9	19.2	125	98	286
											7.49	10.1	62.2	52.2	215	148	
											9.95	15.2	134	113	323	216	

M<sub>P2</sub> and M<sub>Y2</sub> are allowable static moments when two blocks are used in close contact. 1kN≐102kgf 1N·m≐0.102kgf·m

		maximum	length mm
		counterbore	tapped hole (N type)
670	710		
670	710	1,480	1,000

# SEB-A/AY TYPE



## part number structure

example **SEBS 7A Y UU 2 T1 - 289 N P / W2**

specification  
**SEB**: standard  
**SEBS**: anti-corrosion

size

block  
**blank**: standard  
**Y**: long

seal  
**blank**: without side-seal  
**UU**: with side-seals

number of blocks attached to one rail

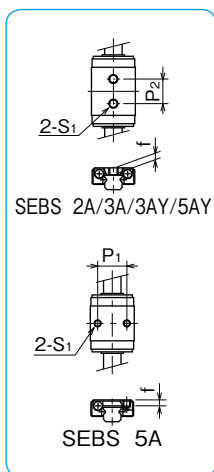
preload symbol  
**TO**: clearance  
**blank**: standard  
**T1**: light

symbol for number of axes\*  
**blank**: single axis  
**W2**: 2 parallel axes  
**W3**: 3 parallel axes

accuracy grade  
**blank**: high  
**P**: precision

rail mounting hole  
**blank**: counterbore  
**N**: tapped hole

total length of rail

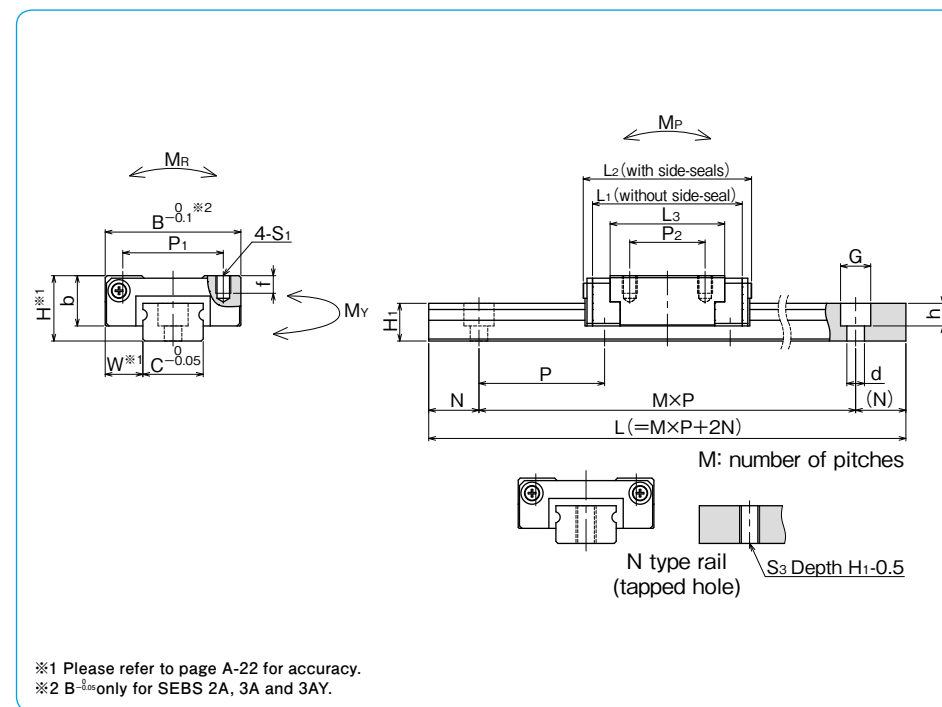


\* The symbol for the number of axes does not mean the number of rails ordered.

part number		assembly dimensions		block dimensions								
standard	anti-corrosion	H	W	B	L1	L2	P1	P2	S1	f	L3	b
		mm	mm	mm	mm	mm	mm	mm		mm	mm	mm
—	<b>SEBS 2A</b>	3.2	2	6	12.9	14.3	—	4	M1.4	1.05	9.3	2.5
—	<b>SEBS 3A</b>	4	2.5	8	10.5	11.8	—	3.5	M1.6	1.3	6.5	3
	<b>SEBS 3AY</b>				14.5	15.8	—	5.5	M2		10.5	
—	<b>SEBS 5A</b>	6	3.5	12	15.6	17	8	—	M2	1.5	9.8	4.5
	<b>SEBS 5AY</b>				19.2	20.6	—	7	M2.6	1.8	13.4	
—	<b>SEBS 7A</b>	8	5	17	21.9	24	12	8	M2	2.5	15.1	6.5
	<b>SEBS 7AY</b>				31	33		13			24.6	

part number		standard rail length L														
standard	anti-corrosion	mm														
—	<b>SEBS 2A</b>	32	40	56	80	104										
—	<b>SEBS 3A</b>	30	40	60	80	100										
—	<b>SEBS 5A</b>	40	55	70	85	100	115	130	145	160						
—	<b>SEBS 7A</b>	40	55	70	85	100	115	130	145	160	175	190	205	220	235	250

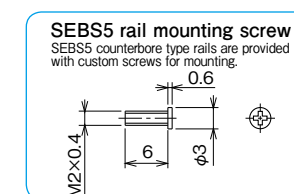
Joint rails are used when the required length exceeds the maximum standard length listed in the dimension tables. Please contact NB for details. Only N type rail is available for SEBS 2A and SEBS 3A.



guide rail dimensions						basic load rating		allowable static moment			mass		block size
H <sub>1</sub>	C	d × G × h	S <sub>3</sub>	N	P	dynamic C	static Co	M <sub>P</sub>	M <sub>Y</sub>	M <sub>R</sub>	block	guide rail	
mm	mm	mm		mm	mm	kN	kN	N · m	N · m	N · m	g	g/100mm	
2	2	—	M1	4	8	0.21	0.38	0.53 2.77	0.64 3.30	0.41	0.8	2.8	<b>2A</b>
2.6	3	—	M1.6	10	10	0.25	0.36	0.39 2.42	0.46 2.88	0.57	1	5	<b>3A</b>
						0.35	0.58	0.97 5.18	1.16 6.18	0.93	2	<b>3AY</b>	
4	5	2.4 × 3.5 × 1	M2.6	5	15	0.59	0.81	1.32 8.05	1.58 9.60	2.11	4	13	<b>5A</b>
						0.74	1.11	2.39 13.2	2.86 15.7	2.90	5	<b>5AY</b>	
4.7	7	2.4 × 4.2 × 2.3	M3	15	15	1.08	1.41	3.07 18.9	3.66 22.6	5.18	11	21	<b>7A</b>
						1.59	2.48	8.74 45.1	10.4 53.8	9.07	16	<b>7AY</b>	

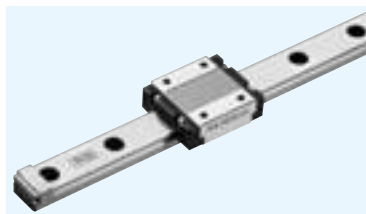
M<sub>P2</sub> and M<sub>Y2</sub> are allowable static moments when two blocks are used in close contact. 1kN ≅ 102kgf 1N · m ≅ 0.102kgf · m

	maximum counterbore		length mm	
	standard	anti-corrosion	standard	anti-corrosion
	—	—	—	150
	—	—	—	150
	—	600	—	300
265 280 295 310	—	1,300	—	700





# SEB-A/AY TYPE



## part number structure

example **SEBS 15A Y UU 2 T1 -539 N P /W2**

specification SEB: standard SEBS: anti-corrosion	size	block blank: standard Y: long	seal blank: without side-seal UU: with side-seals	number of blocks attached to one rail	preload symbol TO: clearance blank: standard T1: light	symbol for number of axes* blank: single axis W2: 2 parallel axes W3: 3 parallel axes	accuracy grade blank: high P: precision	rail mounting hole blank: counterbore N: tapped hole	total length of rail
--	------	-------------------------------------	---	---------------------------------------	---	--	---	--	----------------------

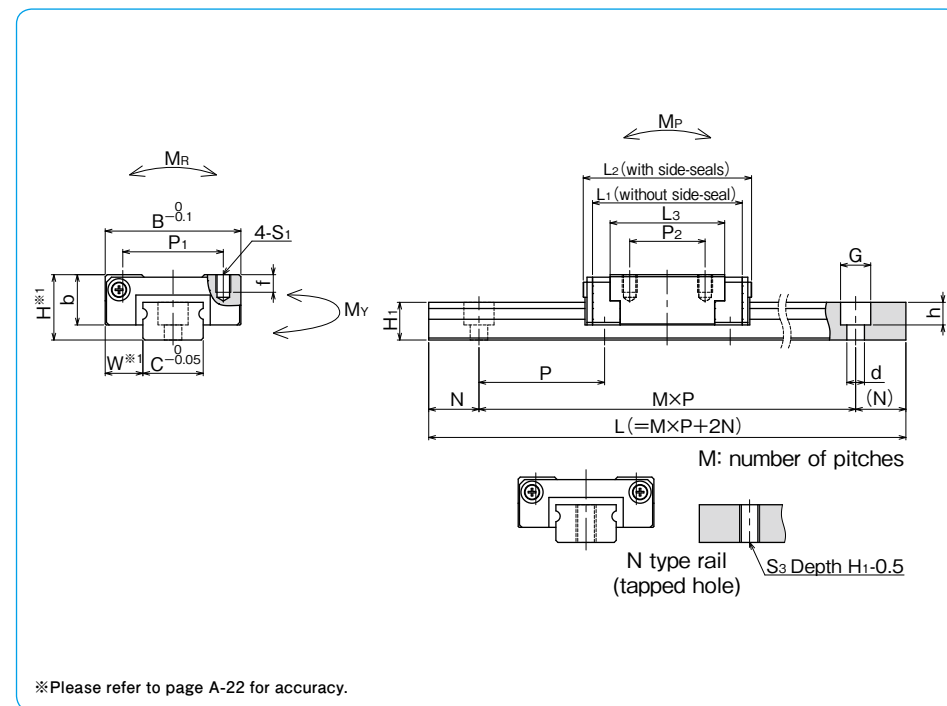
\* The symbol for the number of axes does not mean the number of rails ordered.

part number		assembly dimensions		block dimensions								
standard	anti-corrosion	H	W	B	L <sub>1</sub>	L <sub>2</sub>	P <sub>1</sub>	P <sub>2</sub>	S <sub>1</sub>	f	L <sub>3</sub>	b
		mm	mm	mm	mm	mm	mm	mm		mm	mm	mm
SEB 9A	SEBS 9A	10	5.5	20	28.1	29.5	15	10	M3	3	20.4	7.8
SEB 9AY	SEBS 9AY				38.1	40		16			30.4	
SEB12A	SEBS12A	13	7.5	27	30	33.5	20	15	M3	3.5	22.8	10
SEB12AY	SEBS12AY				42	45.5		20			34.7	
SEB15A	SEBS15A	16	8.5	32	38.5	42	25	20	M3	4	29.5	12
SEB15AY	SEBS15AY				54.5	58		25			45.4	
SEB20A	SEBS20A	25	13	46	55.7	61	38	38	M4	6	45.7	17.8
SEB20AY	SEBS20AY				79.5	85		38			69.5	

All the SEB blocks are made of stainless steel (SEBS marking).

part number		standard rail length														
standard	anti-corrosion	L mm														
SEB 9A	SEBS 9A	55	75	95	115	135	155	175	195	215	235	255	275	295	315	335
SEB12A	SEBS12A	70	95	120	145	170	195	220	245	270	295	320	345	370	395	420
SEB15A	SEBS15A	70	110	150	190	230	270	310	350	390	430	470	510	550	590	630
SEB20A	SEBS20A	220	280	340	400	460	520	580	640	700	760	820	880	940	1,000	

Joint rails are used when the required length exceeds the maximum standard length listed in the dimension tables.



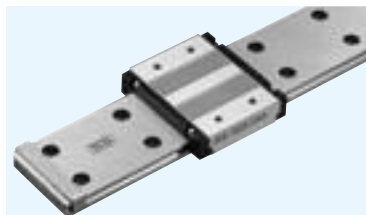
guide rail dimensions				basic load rating		allowable static moment			mass		block size	
H <sub>1</sub>	C	d×G×h	S <sub>3</sub>	N	P	dynamic C	static Co	M <sub>P</sub>	M <sub>Y</sub>	M <sub>R</sub>		block
mm	mm	mm		mm	mm	kN	kN	N·m	N·m	N·m	g	g/100mm
5.5	9	3.5×6×3.5	M4	7.5	20	1.92	2.53	7.64	9.11	11.5	19	30
						2.62	3.94	43.1	51.3	17.9	28	9AY
7.5	12	3.5×6×4.5	M4	10	25	2.60	3.20	10.4	12.4	20.0	37	60
						3.65	5.21	57.0	68.0	32.6	55	12AY
9.5	15	3.5×6×4.5	M5	15	40	4.74	5.67	24.5	29.2	43.9	68	100
						6.65	9.22	131	157	71.4	101	15AY
15	20	6×9.5×8.5	M6	20	60	8.99	11.1	72.7	86.7	114	226	209
						12.4	17.8	367	437	182	338	20AY

M<sub>P2</sub> and M<sub>Y2</sub> are allowable static moments when two blocks are used in close contact. 1kN≒102kgf 1N·m≒0.102kgf·m

				maximum length mm	
		counterbore	tapped hole (N type)		
standard	anti-corrosion	standard	anti-corrosion		
355	375	395	415	435	455
445	470	495			
670					
		500	500		
		1,900	1,000		

# SEB-WA/WAY TYPE

— Wide block —



## part number structure

example **SEBS 9WA Y UU 2 T1 - 289 N P / W2**

specification  
**SEB**: standard  
**SEBS**: anti-corrosion

size

block  
**blank**: standard  
**Y**: long

seal  
**blank**: without side-seal  
**UU**: with side-seals

number of blocks attached to one rail

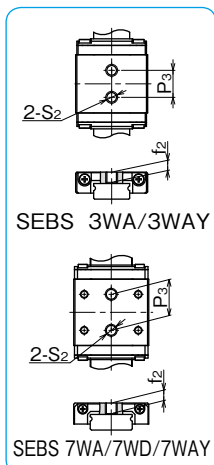
preload symbol  
**TO**: clearance  
**blank**: standard  
**T1**: light

symbol for number of axes\*\*  
**blank**: single axis  
**W2**: 2 parallel axes  
**W3**: 3 parallel axes

accuracy grade  
**blank**: high  
**P**: precision

rail mounting hole  
**blank**: counterbore  
**N**: tapped hole

total length of rail



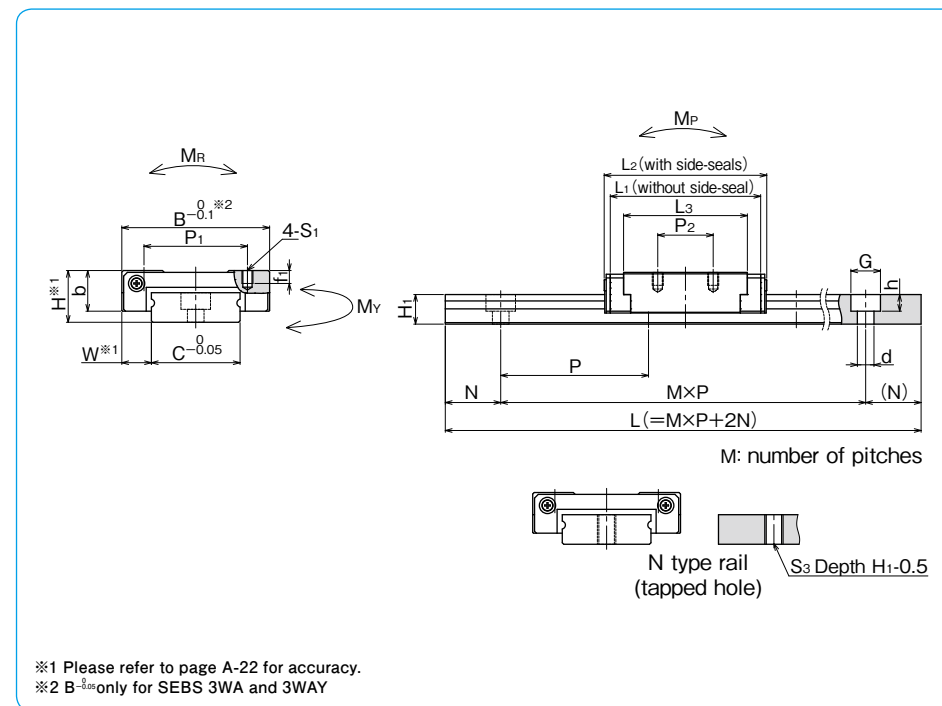
\*\* The symbol for the number of axes does not mean the number of rails ordered.

part number		assembly dimensions		block dimensions											
standard	anti-corrosion	H	W	B	L1	L2	P1	P2	S1	f1	L3	P3	S2	f2	b
mm	mm	mm	mm	mm	mm	mm	mm	mm	mm	mm	mm	mm	mm	mm	mm
—	SEBS 3WA	4.5	3	12	14.2	15	—	—	—	—	9.7	4.5	M2	1.7	3.5
	SEBS 3WAY				19	19.8									
—	SEBS 7WA	9	5.5	25	30.1	32	18	12	M2.6	2.5	22.1	12	M4	3.5	7
	SEBS 7WD				39.6	41	10	2.8	31.6	18					
	SEBS 7WAY						19				M3				
SEB 9WA	SEBS 9WA	12	6	30	35.9	38	21	12	M2.6	3	28.4	—	—	—	9
SEB 9WD	SEBS 9WD				48	50	23	24		M3					
SEB 9WAY	SEBS 9WAY								3		40.4				

All the SEB blocks are made of stainless steel (SEBS marking).

part number		standard rail length L														
standard	anti-corrosion	mm														
—	SEBS 3WA	40	55	70	85	100										
—	SEBS 7WA	50	80	110	140	170	200	230	260	290	320	350	380	410	440	470
SEB 9WA	SEBS 9WA	50	80	110	140	170	200	230	260	290	320	350	380	410	440	470

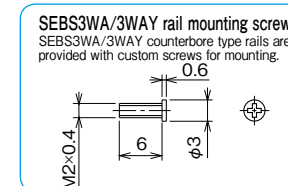
Joint rails are used when the required length exceeds the maximum standard length listed in the dimension tables. Please contact NB for details. SEB9WAY block lengths exceed the minimum standard rail length.



guide rail dimensions							basic load rating		allowable static moment			mass		block size
H <sub>1</sub>	C	B <sub>1</sub>	d × G × h	S <sub>3</sub>	N	P	dynamic C	static C <sub>0</sub>	M <sub>P</sub>	M <sub>Y</sub>	M <sub>R</sub>	block g	guide rail g/100mm	
mm	mm	mm	mm		mm	mm	kN	kN	N · m	N · m	N · m			
2.6	6	—	2.4 × 4 × 1.5	M3	5	15	0.33	0.54	0.83	0.99	1.67	3	10	
							0.44	0.81	1.81	2.15	2.51			
5.2	14	—	3.5 × 6 × 3.2	M4	10	30	1.43	2.12	6.53	7.78	15.2	21	51	
							1.90	3.19	14.1	16.8	22.8			
							3.25	5.35	31.4	37.4	49.5	55		
7.5	18	—	3.5 × 6 × 4.5	M4	10	30	2.49	3.66	15.2	18.1	33.9	38	96	
							3.25	5.35	31.4	37.4	49.5			
							3.25	5.35	31.4	37.4	49.5	55		

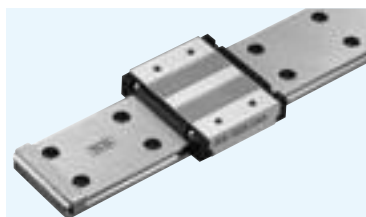
M<sub>P2</sub> and M<sub>Y2</sub> are allowable static moments when two blocks are used in close contact. 1kN = 102kgf 1N · m = 0.102kgf · m

		maximum counterbore		length mm	
		standard	anti-corrosion	tapped hole (N type) standard	anti-corrosion
—	500	—	150	—	—
—	1,300	—	700	—	—
500	530	1,900	1,480	1,900	1,000



# SEB-WA/WAY TYPE

— Wide block —



## part number structure

example **SEBS 15WA Y UU 2 T1 -539 N P /W2**

specification SEB: standard SEBS: anti-corrosion	size	block blank: standard Y: long	seal blank: without side-seal UU: with side-seals	number of blocks attached to one rail	preload symbol TO: clearance blank: standard T1: light	symbol for number of axes** blank: single axis W2: 2 parallel axes W3: 3 parallel axes	accuracy grade blank: high P: precision	total length of rail blank: counterbore N: tapped hole
--	------	-------------------------------------	---	---------------------------------------	---	---	---	--

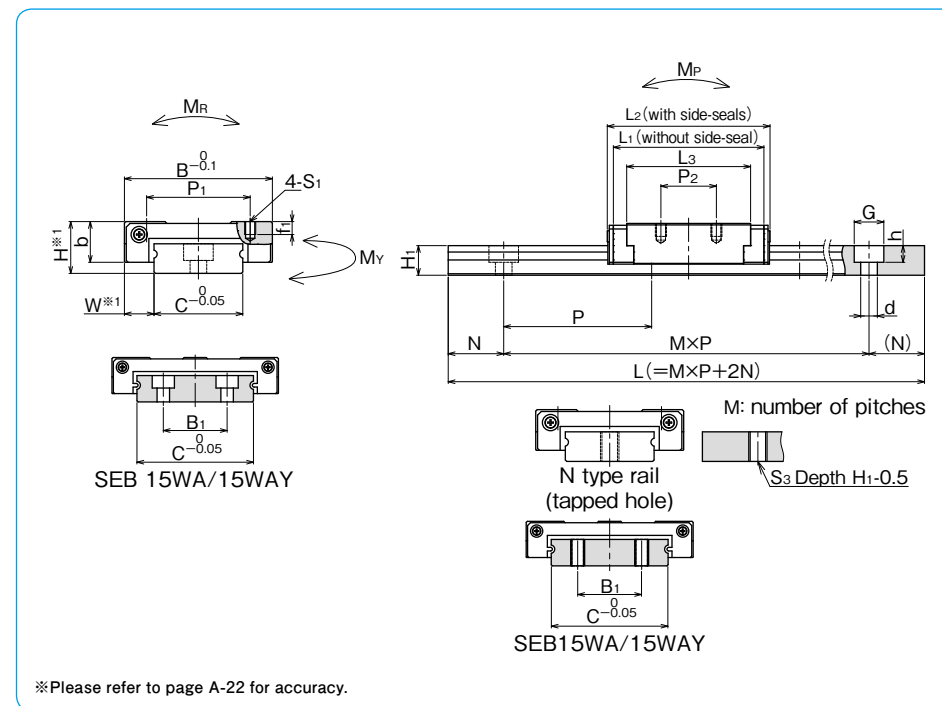
※ The symbol for the number of axes does not mean the number of rails ordered.

part number		assembly dimensions		block dimensions											
standard	anti-corrosion	H	W	B	L <sub>1</sub>	L <sub>2</sub>	P <sub>1</sub>	P <sub>2</sub>	S <sub>1</sub>	f <sub>1</sub>	L <sub>3</sub>	P <sub>3</sub>	S <sub>2</sub>	f <sub>2</sub>	b
mm	mm	mm	mm	mm	mm	mm	mm	mm	mm	mm	mm	mm	mm	mm	mm
SEB12WA	SEBS12WA	14	8	40	40.7	44	28	15	M3	3.5	33.5	—	—	—	11
SEB12WAY	SEBS12WAY				55	58.5		28			47.8				
SEB15WA	SEBS15WA	16	9	60	51.2	55	45	20	M4	4.5	42	—	—	—	13
SEB15WAY	SEBS15WAY				70.5	74		35			61.1				

All the SEB blocks are made of stainless steel (SEBS marking).

part number		standard rail length L mm														
standard	anti-corrosion	70	110	150	190	230	270	310	350	390	430	470	510	550	590	630
SEB12WA	SEBS12WA	70	110	150	190	230	270	310	350	390	430	470	510	550	590	630
SEB15WA	SEBS15WA	70	110	150	190	230	270	310	350	390	430	470	510	550	590	630

Joint rails are used when the required length exceeds the maximum standard length listed in the dimension tables. Please contact NB for details. SEB15WAY block lengths exceed the minimum standard rail length.



guide rail dimensions							basic load rating		allowable static moment			mass		block size
H <sub>1</sub>	C	B <sub>1</sub>	d × G × h	S <sub>3</sub>	N	P	dynamic C	static C <sub>0</sub>	M <sub>P</sub>	M <sub>Y</sub>	M <sub>R</sub>	block g	guide rail g/100mm	
mm	mm	mm	mm		mm	mm	kN	kN	N · m	N · m	N · m			
8	24	—	4.5 × 8 × 4.5	M5	15	40	3.64	5.21	25.7	30.7	63.8	77	138	
							4.75	7.62	53.2	63.4	93.3	109		
9.5	42	23	4.5 × 8 × 4.5	M5	15	40	6.29	8.51	52.2	62.2	180	154	294	
							8.35	12.7	113	134	271	222		

M<sub>P2</sub> and M<sub>Y2</sub> are allowable static moments when two blocks are used in close contact. 1kN ≒ 102kgf 1N · m ≒ 0.102kgf · m

part number		maximum length mm			
standard	anti-corrosion	counterbore standard	counterbore anti-corrosion	tapped hole (N type) standard	tapped hole (N type) anti-corrosion
670	710	1,900	1,480	1,900	1,000
670	710	750	790	830	870

# SLIDE GUIDE Miniature SER Type

The NB slide guide SER type is a linear motion bearing utilizing the rolling motion of precision rollers placed in two rows. Despite its compactness, it can be used in various applications requiring high load capacity.

## STRUCTURE AND ADVANTAGES

The SER type slide guide consists of a rail with two precision-machined raceway grooves and a block assembly. The block assembly consists of the main body, rollers, and bottom retainers. All of these components are made out of metallic materials.

### High Load Capacity and Long Life

Since roller elements are used, the contact surface is large which provides a high load capacity and a long travel life.

### Compactness

Since a cross roller method is utilized, only two raceway grooves are necessary and presents a very compact package.

### Moment Resistant Type

The wide block design (WA type) has an extremely high moment loading capacity. This will allow for single guide designs in the most demanding and compact applications.

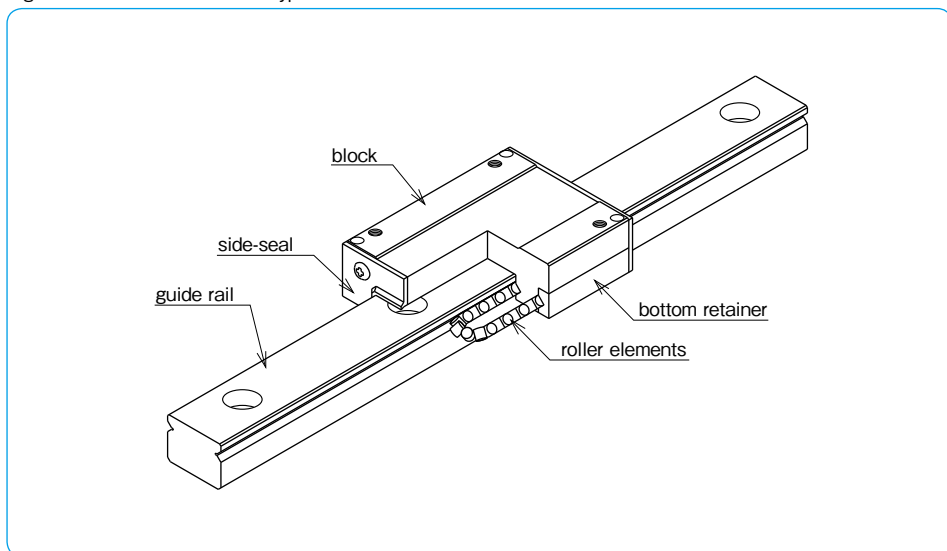
### Tapped Hole Rail Type

For the SER rails, counterbore (standard) and optional tapped hole (N) types are available enabling various installation methods.

### All Stainless Steel Type

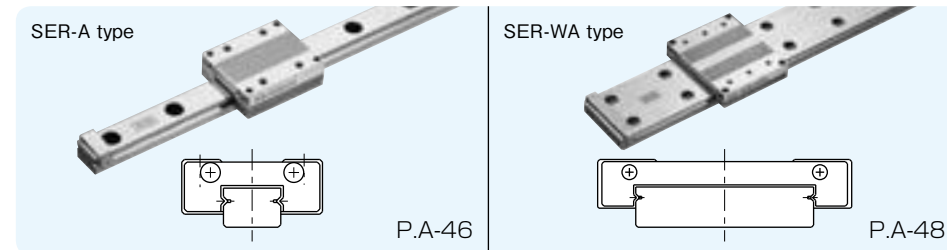
The SERS type slide guide is made from all stainless steel components, making it ideal for high temperature, clean room or vacuum applications.

Figure A-45 Structure of SER type Slide Guide



## TYPES

The SER type slide guides are available with a standard block or a wide block (WA) configuration. Each type can be selected with standard rails of counterbore holes or the optional N-Type rails of tapped holes. For anti-corrosion, all stainless steel type is also available with all stainless steel components.



## ACCURACY

The SER-type slide guides are available with high grade accuracy (blank) or precision grade accuracy (P).

Table A-16 Accuracy unit : mm

accuracy grade	high	precision
accuracy symbol	blank	P
allowable dimensional difference in height H	±0.015	±0.008
paired difference for height H	0.015	0.007
allowable dimensional difference in width W	±0.020	±0.010
paired difference for width W	0.020	0.010
Running parallelism of surface C to surface A	refer to Figure A-48,49	
Running parallelism of surface D to surface B	refer to Figure A-48,49	

Figure A-46 Accuracy

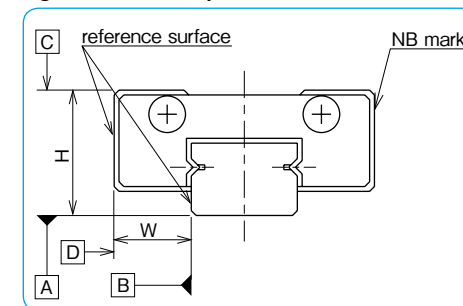
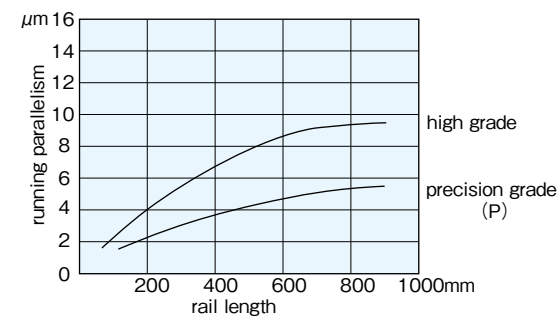


Figure A-47 Motion Accuracy



## PRELOAD

The SER(S) type slide guides are available only with a standard (0 to minimal preload) preload.

## RAIL LENGTH

Slide guides with most commonly used lengths are available as standard. For slide guides with a non-standard length, unless otherwise specified, the distance from one end of the rail to the first hole center (N) will be within the ranges listed in Tables A-17 and A-18, satisfying the following equation.

$$L = M \cdot P + 2N$$

L: total length of rail (mm)  
N: distance from the end of the rail to the first hole center (mm)  
P: hole pitch (mm) M: number of pitches

Figure A-48 Rail

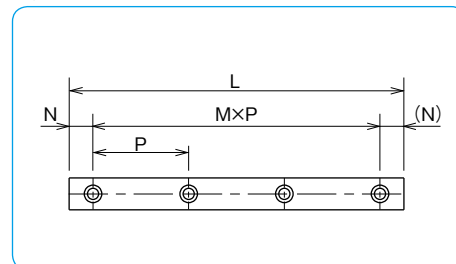


Table A-17 N Dimension (standard type) unit : mm

part number		N	
standard	anti-corrosion	and over	less than
SER 9A	SERS 9A	4	14
SER12A	SERS12A		16.5
SER15A	SERS15A		24
SER20A	SERS20A	6	36

Table A-18 N Dimension (wide type) unit : mm

part number		N	
standard	anti-corrosion	and over	less than
SER 9WA	SERS 9WA	4	19
SER12WA	SERS12WA	5	25
SER15WA	SERS15WA		

## MOUNTING

### Mounting Surface Profile

Slide guides are mounted by pushing the reference surface of the rail and the block against the shoulder provided on the mounting surface. An undercut or a radius corner should be provided at the corner of the shoulder, as shown in Figures A-49 and A-50, to prevent interference. The recommended shoulder height and corner radius are shown in Table A-19 and Table A-20 respectively.

Figure A-49 Mounting Reference Surface Profile-1

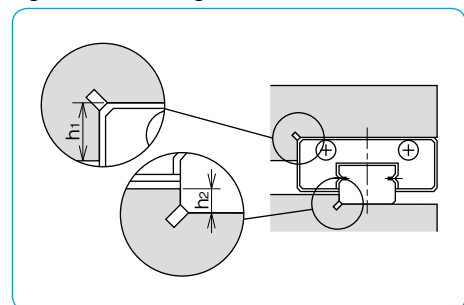
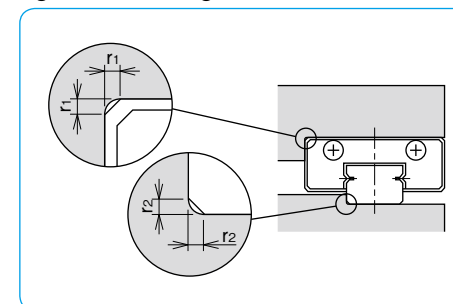


Table A-19 Shoulder Height Dimensions unit : mm

size	shoulder height on the block side h <sub>1</sub>	shoulder height on the rail side h <sub>2</sub>
SER 9A	3	1.5
SER12A	4	2
SER15A	5	3.5
SER20A		5
SER 9WA	3	2.5
SER12WA	4	
SER15WA	5	

Figure A-50 Mounting Reference Surface Profile-2



### Recommended Torque Values

The screws to fasten the rail should be tightened to an equal torque using a torque wrench in order to secure the motion accuracy. The recommended torque values are given in Table A-21. Please adjust the torque depending on the operating conditions.

Table A-20 Maximum Corner Radius Values unit : mm

size	block mounting part r <sub>1</sub>	rail mounting part r <sub>2</sub>
SER 9A	0.3	0.1
SER12A		0.3
SER15A		
SER20A		0.5
SER 9WA		0.3
SER12WA		
SER15WA		

Table A-21 Recommended Torque unit : N·m

size	M2	M3	M4	M5	M6
recommended torque	0.3	1.0	2.3	4.7	8.0

(for stainless steel screw A2-70)

## MOUNTING SCREW

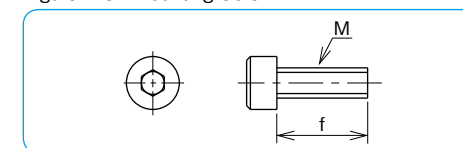
Small screws for the SER(S) type slide guide are available from NB.

Table A-22 unit : mm

size	pitch	length f	application
M2	0.4	4,5,6,8,10	SER 9A

(stainless steel)

Figure A-51 Mounting Screw

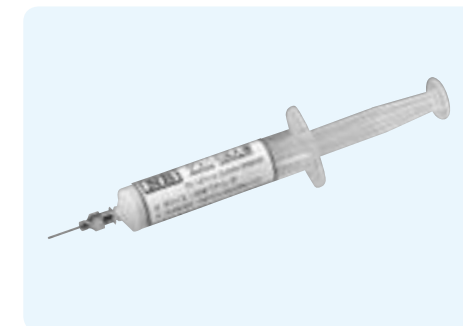


## LUBRICATION

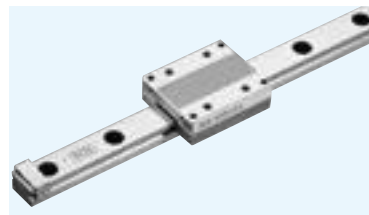
A high grade lithium soap based grease is applied to the NB slide guides prior to shipment for immediate use. Please relubricate with a similar type of grease periodically depending on the operating conditions. For use in clean rooms or vacuum environments, NB slide guides without grease are available upon request. Please contact NB for customer specified grease types.

Please refer to page Eng-39 for details on the low dust generation grease.

A special syringe lubricant dispenser is available from NB as an option (refer to page Eng-42).



# SER-A TYPE



## part number structure

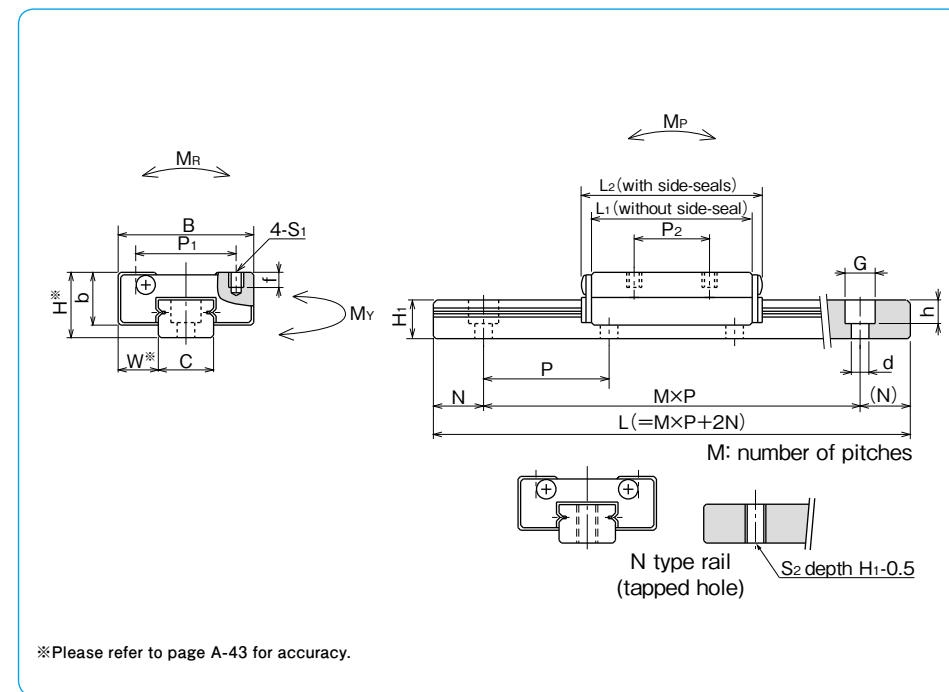
example **SERS 15A UU 2 -589 N P /W2**

specification SER: standard SERS: anti-corrosion	size	seal blank: without side-seal UU: with side-seals	number of blocks attached to one rail	symbol for number of axes* blank: single axis W2: 2 parallel axes W3: 3 parallel axes	accuracy grade blank: high P: precision	rail mounting hole blank: counterbore N: tapped hole	total length of rail
--	------	---	---------------------------------------	--	---	--	----------------------

\* The symbol for the number of axes does not mean the number of rails ordered.

part number		assembly dimensions		block dimensions							
standard	anti-corrosion	H	W	B	L <sub>1</sub>	L <sub>2</sub>	P <sub>1</sub>	P <sub>2</sub>	S <sub>1</sub>	f	b
mm	mm	mm	mm	mm	mm	mm	mm	mm	mm	mm	mm
<b>SER 9A</b>	<b>SERS 9A</b>	10	5.7	20	28	32	15	13	M2	2.5	7.8
<b>SER12A</b>	<b>SERS12A</b>	13	8	27	32	36	20	15	M3	3	10.5
<b>SER15A</b>	<b>SERS15A</b>	16	8.5	32	40	44	25	20		4	11.5
<b>SER20A</b>	<b>SERS20A</b>	25	13	46	60	66	38	38	M4	6	17.5

part number		standard rail length							maximum length
standard	anti-corrosion	L							mm
mm	mm	mm	mm	mm	mm	mm	mm	mm	
<b>SER 9A</b>	<b>SERS 9A</b>	55	75	95	115	155	195	275	275
<b>SER12A</b>	<b>SERS12A</b>	120	170	220	270	320	370	470	470
<b>SER15A</b>	<b>SERS15A</b>	150	230	310	430	550	670		670
<b>SER20A</b>	<b>SERS20A</b>	220	280	340	460	640	880		880

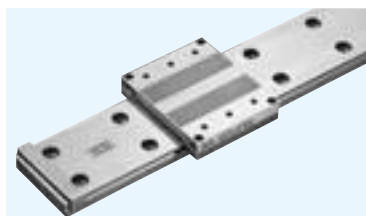


guide rail dimensions		basic load rating		allowable static moment			mass		block size				
H <sub>1</sub>	C	S <sub>2</sub>	d×G×h	N	P	dynamic C	static Co	M <sub>P</sub>	M <sub>Y</sub>	M <sub>R</sub>	block g	guide rail g/100mm	block size
mm	mm	mm	mm	mm	mm	kN	kN	N·m	N·m	N·m	g	g/100mm	
5.5	8.6	M4	2.6×4.5×3	7.5	20	2.65	2.94	11.8	13.7	19.6	25	35	<b>9A</b>
7.5	11			10	25	3.43	3.92	15.7	17.6	29.4	51	55	<b>12A</b>
9.5	15	M5	3.5×6×4.5	15	40	4.70	5.78	29.0	32.3	54.9	82	100	<b>15A</b>
15	20	M6		6×9.5×8.5	20	60	8.82	9.80	59.0	66.6	151	280	230

1kN≒102kgf 1N·m≒0.102kgf·m

# SER-WA TYPE

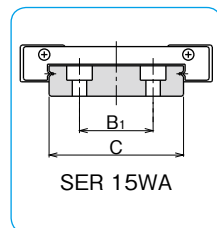
— Wide Type —



## part number structure

example **SERS 15WA UU 2 -589 N P /W2**

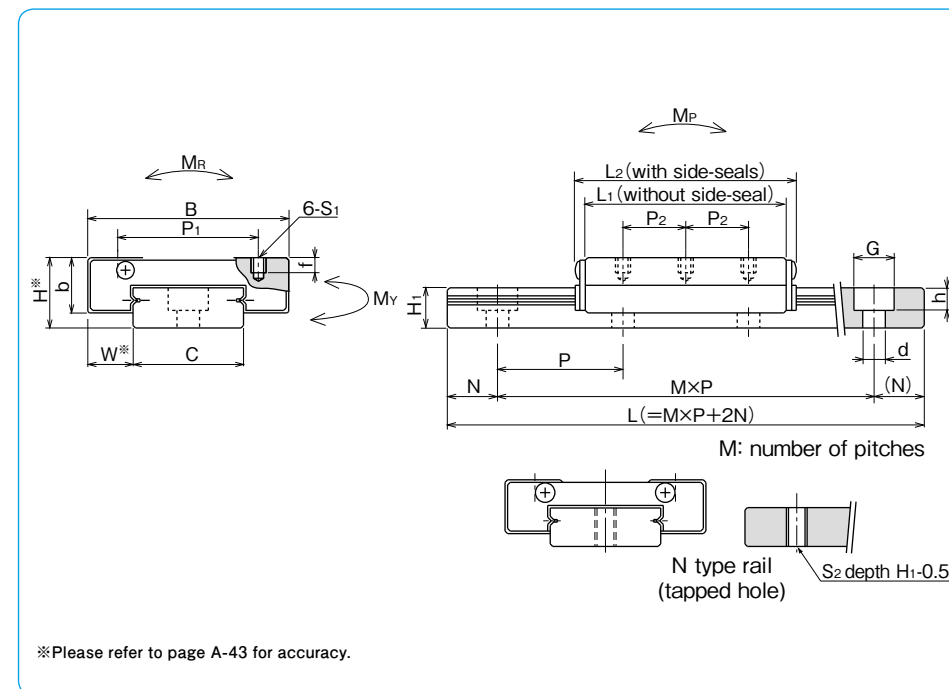
specification SER: standard SERS: anti-corrosion	size	seal blank: without side-seal UU: with side-seals	number of blocks attached to one rail	symbol for number of axes* blank: single axis W2: 2 parallel axes W3: 3 parallel axes	accuracy grade blank: high P: precision	total length of rail
--	------	---	---------------------------------------	--	---	----------------------



\* The symbol for the number of axes does not mean the number of rails ordered.

part number		assembly dimensions		block dimensions							S <sub>1</sub>	f	b
standard	anti-corrosion	H	W	B	L <sub>1</sub>	L <sub>2</sub>	P <sub>1</sub>	P <sub>2</sub>	P <sub>1</sub>	P <sub>2</sub>			
SER 9WA	SERS 9WA	12	6.5	30	35	39	21	10	M3	3	8.8		
SER 12WA	SERS 12WA	14	9	40	40	44	28	12.5					
SER 15WA	SERS 15WA	16		60	50	54	45	15				M4	4.5

part number		standard rail length							maximum length
standard	anti-corrosion	L							
SER 9WA	SERS 9WA	80	110	140	170	200	260	290	290
SER 12WA	SERS 12WA	110	150	190	230	310	390	470	470
SER 15WA	SERS 15WA	150	230	310	430	550	670		670



guide rail dimensions		basic load rating		allowable static moment			mass		block size					
H <sub>1</sub>	C	B <sub>1</sub>	S <sub>2</sub>	d × G × h	N	P	dynamic C	static Co		M <sub>P</sub>	M <sub>Y</sub>	M <sub>R</sub>	block g	guide rail g/100mm
7.5	17	—	M4	3.5 × 6 × 4.5	10	30	3.43	3.72	24.5	27.4	51.9	46	90	9WA
8	22	—	M5	4.5 × 8 × 4.5	15	40	4.41	5.00	35.3	39.2	85.3	92	122	12WA
9.5	42	23					7.35	8.92	55.9	61.7	215.0	165	280	15WA

1kN≒102kgf 1N·m≒0.102kgf·m

# SLIDE GUIDE SGL TYPE

The NB slide guide SGL type is a linear motion bearing utilizing the rolling motion of ball elements along four rows of raceway grooves. It can be used in various applications due to its compactness and high load capacity.

## STRUCTURE AND ADVANTAGES

The NB slide guide SGL type consists of a rail with 4 rows of precisely machined raceway grooves and a block assembly. The block assembly consists of the main body, ball elements, retainers, and return caps.

### High Load Capacity and Long Life

The use of relatively large ball elements and raceway grooves machined to a radius close to that of the ball elements increases the contact area resulting in a high load capacity and a long travel life.

### Low Friction

Because a 4-row/2-point contact design is used, low friction and stable motion characteristics are achieved even under a preloaded conditions.

### Omni-Directional Load Capacity

The ball elements are positioned at 45° contact angle so that the load capacity is equal in four directions (above, below, right and left).

### Absorption of Mounting Dimensional Error

Because the ball elements are positioned to increase their self-aligning characteristics, the dimensional error caused during installation is absorbed.

### Anti-corrosion Specification

The rail and block assembly can be treated with low temperature black chrome treatment to increase the

corrosion resistance. This treatment is standardized with the symbol "LB". Stainless steel SGLS type is suitable for use in clean room application.

### Dust Prevention

Side-seals are provided as a standard. To improve the dust prevention characteristics, under-seals, double-seals, scrapers, bellows and special rail mounting caps are also available.

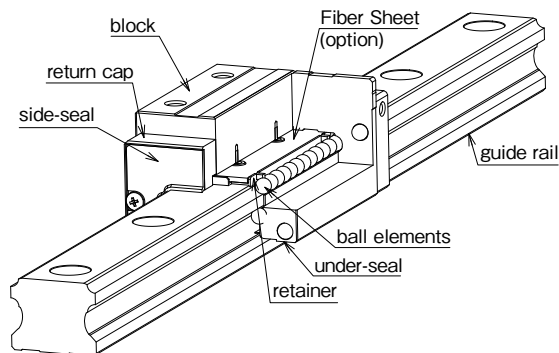
### Fiber Sheet Extends Lubricant Replenishment Intervals

A lubricant-containing Fiber Sheet incorporated in the block supplies appropriate amount of lubricant to the raceway grooves at appropriate intervals, which can significantly extend the lubricant replenishment interval. (refer to page A-16)

### REVERSE-SEAL

NB Reverse-seal realizes maintenance free by reducing grease leakage and loss. (refer to page A-17)

Figure A-52 Structure of SGL type Slide Guide



## BLOCK TYPES

Eleven SGL block types are available depending on the material and mounting method.

SGL-F type P.A-54 SGLS-F type P.A-54	SGL-TF type P.A-56 SGLS-TF type P.A-56	SGL-HTF type P.A-58	SGL-HYF type P.A-60	
high-rigidity short type	high-rigidity	high-rigidity	high-rigidity long type	
SGL-E type P.A-62	SGL-TE type P.A-64	SGL-HTE type P.A-66	SGL-HYE type P.A-68	SGL-HTEX type P.A-70
high-rigidity short flange type	high-rigidity flange type	high-rigidity flange type	high-rigidity long flange type	high-rigidity six holes flange type

## ACCURACY

Three accuracy grades are available: standard grade (blank), high grade (H), and precision grade (P).

Table A-23 Accuracy

unit : mm

part number	SGL15,20			SGL25,30,35			SGL45		
	standard	high	precision	standard	high	precision	standard	high	precision
accuracy grade	standard	high	precision	standard	high	precision	standard	high	precision
accuracy symbol	blank	H	P	blank	H	P	blank	H	P
allowable dimensional tolerance for height H	±0.1	±0.03	-0.03~0	±0.1	±0.04	-0.04~0	±0.1	±0.05	-0.05~0
paired difference for height H	0.02	0.01	0.006	0.02	0.015	0.007	0.03	0.015	0.007
allowable dimensional tolerance for width W	±0.1	±0.03	-0.03~0	±0.1	±0.04	-0.04~0	±0.1	±0.05	-0.05~0
paired difference for width W	0.02	0.01	0.006	0.03	0.015	0.007	0.03	0.02	0.01
Running parallelism of surface C to surface A	refer to Figure A-53, 54								
Running parallelism of surface D to surface B									

Figure A-53 Motion Accuracy

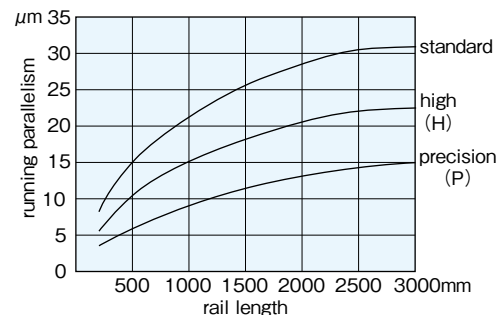
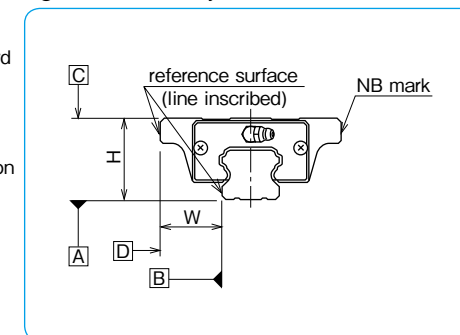


Figure A-54 Accuracy





## PRELOAD

SGL type slide guides are available with a standard preload (blank), light preload (T1), and medium preload (T2).

Table A-24 Preload Symbol and Radial Clearance unit :  $\mu\text{m}$

preload	standard	light	medium*
preload symbol	blank	T1	T2
SGL15	- 4~+2	-12~- 4	-
SGL20	- 5~+2	-14~- 5	-23~-14
SGL25	- 6~+3	-16~- 6	-26~-16
SGL30	- 7~+4	-19~- 7	-31~-19
SGL35	- 8~+4	-22~- 8	-35~-22
SGL45	-10~+5	-25~-10	-40~-25

Table A-25 Operating Conditions and Preload

preload	symbol	operating conditions
standard	blank	minute vibration is applied. accurate motion is required. moment is applied in a given direction.
light	T1	light vibration is applied. light torsional load is applied. moment is applied.
medium*	T2	shock and vibration are applied. over-hang load is applied. torsional load is applied.

\* Frictional resistance may be affected by preload.

## RAIL LENGTH

Slide guides with most commonly used lengths are available as standard. For slide guides with a non-standard length, unless otherwise specified, the distance from one end of the rail to the first hole center (N) will be within the range listed in Table A-26, satisfying the following equation.

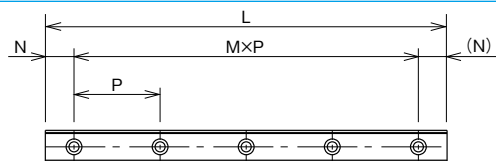
$$L = M \cdot P + 2N$$

L: length (mm) M: number of pitches P: hole pitch (mm)  
N: distance from the end of the rail to the first hole center (mm)

Table A-26 N Dimension unit : mm

part number	N	
	and over	less than
SGL15	6	36
SGL20	10	40
SGL25	11	41
SGL30	12	52
SGL35	16	56
SGL45	20	72.5

Figure A-55 Rail



## MOUNTING

Slide guides are generally mounted by pushing the reference surface of the rail and block against the shoulder of the mounting surface. An undercut should be provided at the corner of the shoulder in order to avoid interference with the corner of the rail or block. The recommended shoulder height values are shown in Table A-28.

The screws to fasten the rail should be tightened equally using a torque wrench in order to secure the motion accuracy. The recommended torque values are listed in Table A-27. Please adjust the torque depending on the operating conditions.

Figure A-56 Mounting Reference Surface Profile

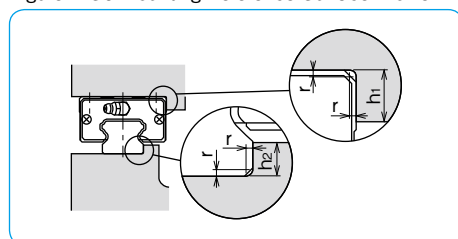


Table A-27 Recommended Torque unit : N · m

size	M3	M4	M5	M6	M8	M12
recommended torque	1.4	3.2	6.6	11.2	27.6	96.4

(for steel alloy screws)

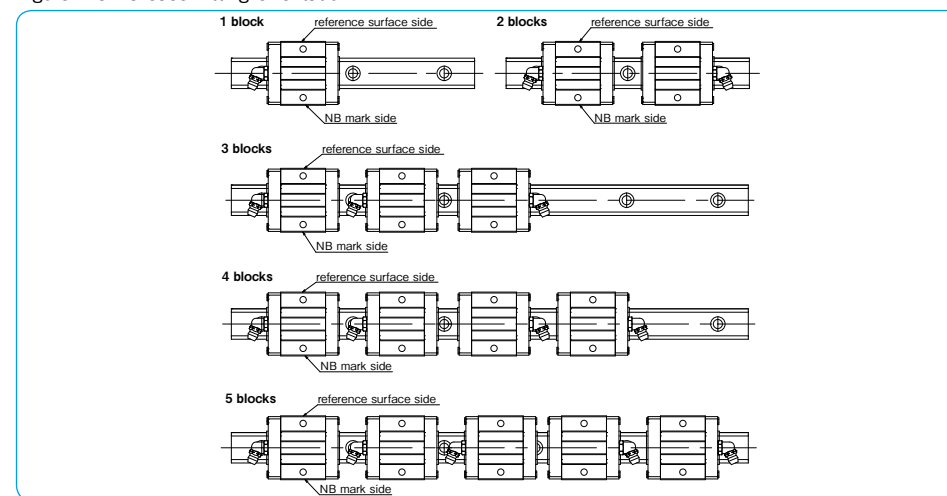
Table A-28 Shoulder Height Dimensions unit : mm

part number	h1	h2	rmax.
SGL15	4	3.5	0.5
SGL20	5	5	0.5
SGL25	5	5.5	1
SGL30	6	7.5	1
SGL35	6	8	1
SGL45	8	8	1

## GREASE FITTING

A grease fitting is attached to the return cap of SGL type guide blocks for lubrication purposes. Unless otherwise specified, the orientation of the grease fitting is as shown in Figure A-57. When more than 6 blocks are used on one rail, the orientation of the grease fitting is same as the orientation of 3 to 5 block used on one rail.

Figure A-57 Grease Fitting Orientation

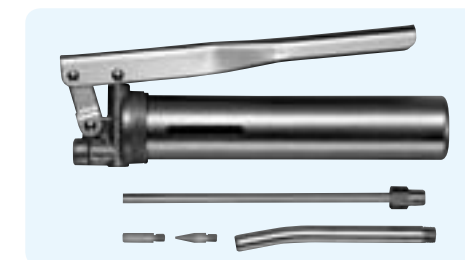


## LUBRICATION

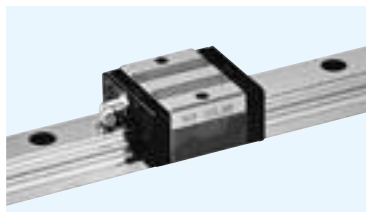
A high grade lithium soap based grease is applied to the NB slide guides prior to shipment for immediate use. Please relubricate with a similar type of grease periodically depending on the operating conditions. For use in clean rooms or vacuum environments, NB slide guides without grease are available upon request. Please contact NB for customer specified grease types.

Please refer to page Eng-39 for details on the low dust generation grease.

A Grease Gun Set is available as a maintenance kit (refer to page Eng-42).



# SGL-F TYPE



## part number structure

example **SGL 15 F B 2 T1 - 589 D P / W2 FS LB F J - KGL**

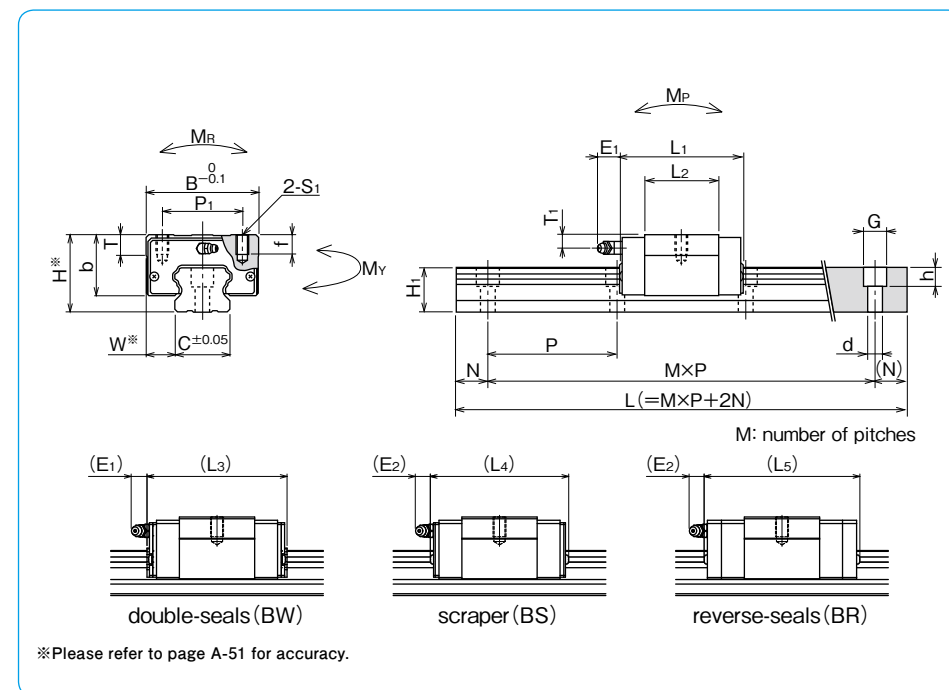
specification	<b>SGL</b> : standard	<b>SGLS</b> : anti-corrosion	size	<b>15</b>	block style	<b>F</b>	seal (refer to page A-14)	<b>B</b> : with side-seals <b>BW</b> : with double-seals + under-seals <b>BS</b> : B + scraper <b>BR</b> : B + reverse-seals	number of blocks attached to one rail	<b>2</b>	preload symbol	<b>T1</b> : light <b>T2</b> : medium	total length of rail	<b>589</b>	size of rail installation hole (D type rail is available only for SGL 15 and 30)	<b>D</b>	symbol for grease	<b>P</b>	blank: standard grease <b>KGL</b> : lithium-based grease <b>KGU</b> : urea-based grease <b>KGF</b> : anti-fretting grease <b>KG</b> : K-grease refer to page Eng-39~	with bellows (refer to page A-18)	<b>W2</b>	with rail mounting hole caps	<b>FS</b>	with low temperature black chrome treatment	<b>LB</b>	with Fiber Sheet	symbol for number of axes*	<b>F</b> : single axis <b>W2</b> : 2 parallel axes <b>W3</b> : 3 parallel axes	accuracy grade	<b>J</b> : standard <b>H</b> : high <b>P</b> : precision
---------------	-----------------------	------------------------------	------	-----------	-------------	----------	---------------------------	---	---------------------------------------	----------	----------------	---	----------------------	------------	--	----------	-------------------	----------	--	-----------------------------------	-----------	------------------------------	-----------	---	-----------	------------------	----------------------------	--	----------------	--

\*The symbol for the number of axes does not mean the number of rails ordered.

part number		assembly dimensions		block dimensions											
standard	anti-corrosion	H	W	B	L1	L2	L3	L4	L5	P1	S1	f	T	b	E1
mm	mm	mm	mm	mm	mm	mm	mm	mm	mm	mm	mm	mm	mm	mm	mm
<b>SGL15F</b>	<b>SGLS15F</b>	24	9.5	34	40.7	22.7	46.9	47.3	54.3	26	M4	7	6	19.5	6
<b>SGL15F-D</b>	<b>SGLS15F-D</b>														
<b>SGL20F</b>	<b>SGLS20F</b>	28	11	42	47.9	29.5	54.1	54.5	65.5	32	M5	8	7.5	22	12
<b>SGL25F</b>	<b>SGLS25F</b>	33	12.5	48	58.7	37.7	65.1	65.9	76.9	35	M6	9	8	26	
<b>SGL30F</b>	—	42	16	60	68	40	76.6	75.6	—	40	M8	12	9	32.5	
<b>SGL30F-D</b>	—														
<b>SGL35F</b>	—	48	18	70	77	46	85.6	84.6	—	50			13	38	

part number		standard rail length														
standard	anti-corrosion	L														
mm	mm	mm														
<b>SGL15</b>	<b>SGLS15</b>	160	220	280	340	400	460	520	580	640	700	760	820	880	940	1,000
<b>SGL20</b>	<b>SGLS20</b>	220	280	340	400	460	520	580	640	700	760	820	880	940	1,000	1,120
<b>SGL25</b>	<b>SGLS25</b>	220	280	340	400	460	520	580	640	700	760	820	880	940	1,000	1,120
<b>SGL30</b>	—	280	360	440	520	600	680	760	840	920	1,000	1,080	1,160	1,240	1,320	1,400
<b>SGL35</b>	—	280	360	440	520	600	680	760	840	920	1,000	1,080	1,160	1,240	1,320	1,400

Rails exceeding the maximum specified length may be fabricated if joints are used. Please contact NB for assistance.

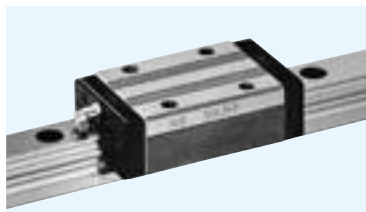


E2		T1	grease fitting	guide rail dimensions				basic load rating		allowable static moment			mass		block size			
mm	mm	mm	H1	C	d × G × h		N	P	dynamic C	static Co	M <sub>P</sub>	M <sub>Y</sub>	M <sub>R</sub>	block kg	guide rail kg/m			
mm	mm	mm	mm	mm	mm		mm	mm	kN	kN	N · m	N · m	N · m	kg	kg/m			
5.4	5	pressed fitting	13.5	15	3.5 × 6 × 4.5		20	60	7.29	9.45	36.7	36.7	73.9	0.1	1.3	<b>15</b>		
		pressed fitting			4.5 × 7.5 × 5.3								252	252				
11	6	B-M6F	16	20	6 × 9.5 × 8.5		20	80	11.9	14.8	71.9	71.9	159	0.2	2.1	<b>20</b>		
													447	447				
	6.5		20	23	7 × 11 × 9						17.0	21.1	123	123	254	0.3	3.0	<b>25</b>
														751	751			
	9		24	28	7 × 11 × 9				23.0	28.7	195	195	417	0.5	4.6	<b>30</b>		
					9 × 14 × 12						1,260	1,260						
	8.5		27.5	34	9 × 14 × 12				32.0	37.8	293	293	693	0.8	6.2	<b>35</b>		
					9 × 14 × 12						1,870	1,870						

M<sub>P2</sub> and M<sub>Y2</sub> are allowable static moments when two blocks are used in close contact. 1kN ≅ 102kgf 1N · m ≅ 0.102kgf · m

		maximum length	
		mm	
		standard	anti-corrosion
1,120	1,240	1,360	1,480
1,240	1,360	1,480	1,600
1,240	1,360	1,480	1,600
1,240	1,360	1,480	1,600
1,480	1,640	1,720	1,800
1,480	1,640	1,720	1,800

# SGL-TF TYPE



## part number structure

example **SGL 15 TF B 2 T1 -589 D P/W2 FS LB F J -KGL**

specification  
**SGL**: standard  
**SGLS**: anti-corrosion

size  
**15**

block style  
**TF**

seal (refer to page A-14)  
**blank**: with side-seals  
**B**: with side-seals + under-seals  
**BW**: with double-seals + under-seals  
**BS**: B + scraper  
**BR**: B + reverse-seals

number of blocks attached to one rail  
**2**

preload symbol  
**blank**: standard  
**T1**: light  
**T2**: medium

total length of rail  
**589**

size of rail installation hole (D type rail is available only for SGL 15 and 30)  
**D**

accuracy grade  
**blank**: standard  
**H**: high  
**P**: precision

symbol for grease  
**blank**: standard grease  
**KGL**: lithium-based grease  
**KGU**: urea-based grease  
**KGF**: anti-fretting grease  
**GK**: K-grease  
 refer to page Eng-39~

with bellows (refer to page A-18)  
**W2**

with rail mounting hole caps  
**FS**

with low temperature black chrome treatment  
**LB**

with Fiber Sheet  
**F**

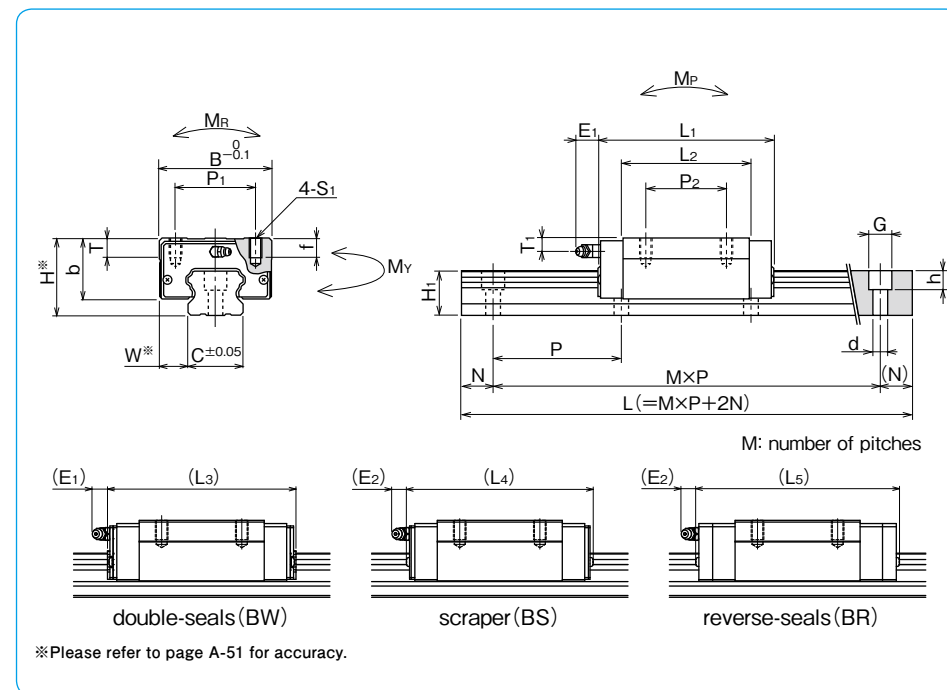
symbol for number of axes\*  
**blank**: single axis  
**W2**: 2 parallel axes  
**W3**: 3 parallel axes

\*The symbol for the number of axes does not mean the number of rails ordered.

part number		assembly dimensions		block dimensions												
standard	anti-corrosion	H	W	B	L <sub>1</sub>	L <sub>2</sub>	L <sub>3</sub>	L <sub>4</sub>	L <sub>5</sub>	P <sub>1</sub>	P <sub>2</sub>	S <sub>1</sub>	f	T	b	E <sub>1</sub>
mm	mm	mm	mm	mm	mm	mm	mm	mm	mm	mm	mm	mm	mm	mm	mm	mm
<b>SGL15TF</b>	<b>SGLS15TF</b>	24	9.5	34	56.5	38.5	62.7	63.1	70.1	26	26	M4	7	6	19.5	6
<b>SGL15TF-D</b>	<b>SGLS15TF-D</b>															
<b>SGL20TF</b>	<b>SGLS20TF</b>	28	11	42	65.8	47.4	72	72.4	83.4	32	32	M5	8	7.5	22	12
<b>SGL25TF</b>	<b>SGLS25TF</b>	33	12.5	48	80	59	86.4	87.2	98.2	35	35	M6	9	8	26	
<b>SGL30TF</b>	—	42	16	60	95.7	67.7	104.3	103.3	—	40	40	M8	12	9	32.5	12
<b>SGL30TF-D</b>	—															
<b>SGL35TF</b>	—	48	18	70	109	78	117.6	116.6	—	50	50			13	38	

part number		standard rail length L mm														
standard	anti-corrosion	160	220	280	340	400	460	520	580	640	700	760	820	880	940	1,000
<b>SGL15</b>	<b>SGLS15</b>	160	220	280	340	400	460	520	580	640	700	760	820	880	940	1,000
<b>SGL20</b>	<b>SGLS20</b>	220	280	340	400	460	520	580	640	700	760	820	880	940	1,000	1,120
<b>SGL25</b>	<b>SGLS25</b>	220	280	340	400	460	520	580	640	700	760	820	880	940	1,000	1,120
<b>SGL30</b>	—	280	360	440	520	600	680	760	840	920	1,000	1,080	1,160	1,240	1,320	1,400
<b>SGL35</b>	—	280	360	440	520	600	680	760	840	920	1,000	1,080	1,160	1,240	1,320	1,400

Rails exceeding the maximum specified length may be fabricated if joints are used. Please contact NB for assistance.

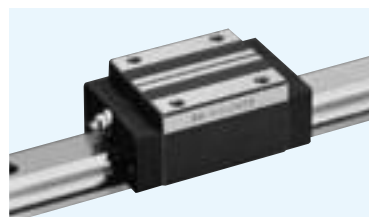


E <sub>2</sub>		T <sub>1</sub>	grease fitting	H <sub>1</sub>	C	d × G × h	N	P	basic load rating	allowable static moment	mass	block size				
mm	mm	mm	mm	mm	mm	mm	mm	mm	dynamic C kN	static Co kN	M <sub>P2</sub> N · m	M <sub>Y2</sub> N · m	M <sub>R</sub> N · m	block kg	guide rail kg/m	block size
5.4	5	pressed fitting	13.5	15	3.5 × 6 × 4.5	20	60	60	10.6	16.2	99.5	99.5	126	0.2	1.3	<b>15</b>
					4.5 × 7.5 × 5.3				16.3	23.2	165	165	250	0.3	2.1	<b>20</b>
11	6	B-M6F	16	20	6 × 9.5 × 8.5	20	80	80	24.7	36.3	334	334	437	0.4	3.0	<b>25</b>
					7 × 11 × 9				24.7	36.3	1,740	1,740	437	0.4	3.0	<b>25</b>
					9 × 14 × 12				33.6	49.2	528	528	716	0.8	4.6	<b>30</b>
					9 × 14 × 12				46.6	64.8	2,880	2,880	716	0.8	4.6	<b>30</b>
8.5	8.5	pressed fitting	27.5	34	9 × 14 × 12	20	80	80	46.6	64.8	796	796	1,180	1.3	6.2	<b>35</b>
					4.290				46.6	64.8	4,290	4,290	1,180	1.3	6.2	<b>35</b>

M<sub>P2</sub> and M<sub>Y2</sub> are allowable static moments when two blocks are used in close contact. 1kN≒102kgf 1N · m≒0.102kgf · m

				maximum length mm	
				standard	anti-corrosion
1,120	1,240	1,360	1,480	2,000	1,480
1,240	1,360	1,480	1,600	1,660	1,720
1,240	1,360	1,480	1,600	1,660	1,720
1,480	1,640	1,720	1,800	1,880	1,960
1,480	1,640	1,720	1,800	1,880	1,960

# SGL-HTF TYPE



## part number structure

example **SGL 15 HTF B 2 T1 -589 P/W2 FS LB F J -KGL**

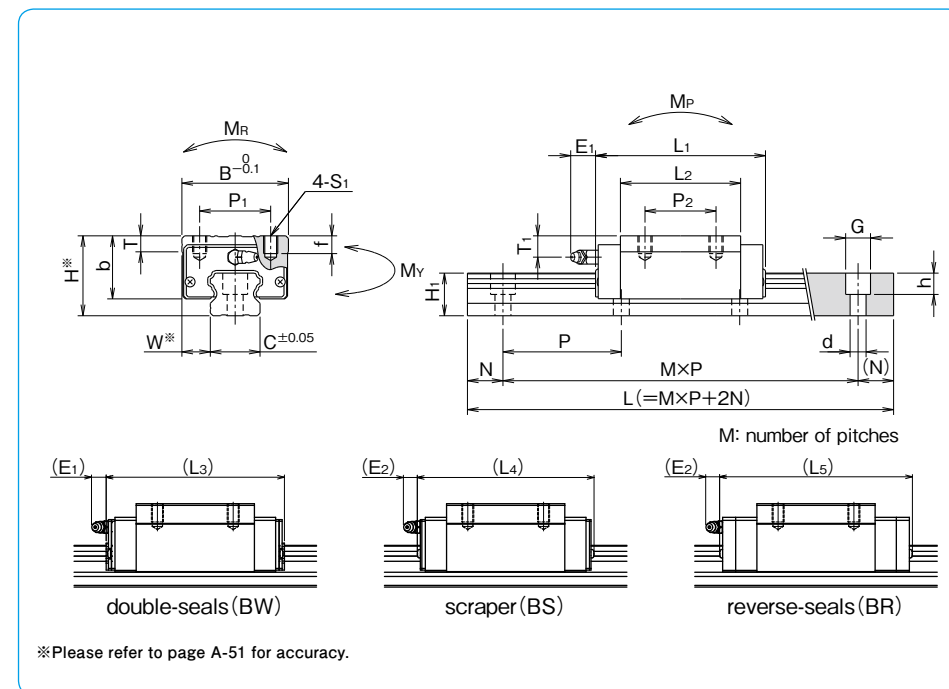
- SGL type
- size
- block style
- seal (refer to page A-14)
  - blank: with side-seals
  - B: with side-seals + under-seals
  - BW: with double-seals + under-seals
  - BS: B + scraper
  - BR: B + reverse-seals
- number of blocks attached to one rail
- preload symbol
  - blank: standard
  - T1: light
  - T2: medium
- total length of rail
- symbol for grease
  - blank: standard grease
  - KGL: lithium-based grease
  - KGU: urea-based grease
  - KGF: anti-fretting grease
  - GK: K-grease
  - refer to page Eng-39~
- with bellows (refer to page A-18)
- with rail mounting hole caps
- with low temperature black chrome treatment
- with Fiber Sheet
- symbol for number of axes\*
  - blank: single axis
  - W2: 2 parallel axes
  - W3: 3 parallel axes
- accuracy grade
  - blank: standard
  - H: high
  - P: precision

\*The symbol for the number of axes does not mean the number of rails ordered.

part number	assembly dimensions		block dimensions													
	H	W	B	L <sub>1</sub>	L <sub>2</sub>	L <sub>3</sub>	L <sub>4</sub>	L <sub>5</sub>	P <sub>1</sub>	P <sub>2</sub>	S <sub>1</sub>	f	T	b	E <sub>1</sub>	E <sub>2</sub>
	mm	mm	mm	mm	mm	mm	mm	mm	mm	mm	mm	mm	mm	mm	mm	mm
<b>SGL15HTF</b>	28	9.5	34	56.5	38.5	62.7	63.1	70.1	26	26	M4	5	6	23.7	6	5.4
<b>SGL20HTF</b>	30	12	44	71.6	53.2	77.8	78.2	89.2	32	36	M5	6	9.5	24	12	11
<b>SGL25HTF</b>	40	12.5	48	80	59	86.4	87.2	98.2	35	35	M6	8	9	33	12	11
<b>SGL30HTF</b>	45	16	60	95.7	67.7	104.3	103.3	—	40	40	M8	10	13	35.5	15	15
<b>SGL35HTF</b>	55	18	70	109	78	117.6	116.6	—	50	50		12	15	45	15	15
<b>SGL45HTF</b>	70	20.5	86	139	102	147.5	148	—	60	60	M10	17	15	60	15	15

part number	standard rail length L mm															
<b>SGL15</b>	160	220	280	340	400	460	520	580	640	700	760	820	880	940	1,000	1,120
<b>SGL20</b>	220	280	340	400	460	520	580	640	700	760	820	880	940	1,000	1,120	1,240
<b>SGL25</b>	220	280	340	400	460	520	580	640	700	760	820	880	940	1,000	1,120	1,240
<b>SGL30</b>	280	360	440	520	600	680	760	840	920	1,000	1,080	1,160	1,240	1,320	1,400	1,480
<b>SGL35</b>	280	360	440	520	600	680	760	840	920	1,000	1,080	1,160	1,240	1,320	1,400	1,480
<b>SGL45</b>	570	675	780	885	990	1,095	1,200	1,305	1,410	1,515	1,620	1,725	1,830	1,935	2,040	2,145

Rails exceeding the maximum specified length may be fabricated if joints are used. Please contact NB for assistance.



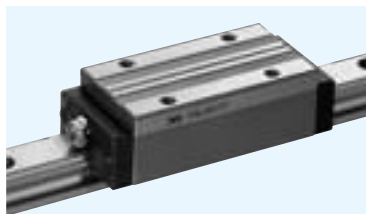
\*Please refer to page A-51 for accuracy.

T <sub>1</sub>	grease fitting	guide rail dimensions					basic load rating		allowable static moment			mass		block size
		H <sub>1</sub>	C	d × G × h	N	P	dynamic C	static C <sub>0</sub>	M <sub>P</sub>	M <sub>Y</sub>	M <sub>R</sub>	block kg	guide rail kg/m	
mm		mm	mm	mm	mm	mm	kN	kN	N · m	N · m	N · m	kg	kg/m	
9	pressed fitting	13.5	15	4.5 × 7.5 × 5.3	20	60	10.6	16.2	99.5 565	99.5 565	126	0.2	1.3	<b>15</b>
8	B-M6F	16	20	6 × 9.5 × 8.5			18.3	27.5	226 1,180	226 1,180	296	0.4	2.1	<b>20</b>
13.5		20	23	7 × 11 × 9	24.7	36.3	334 1,740	334 1,740	437	0.6	3.0	<b>25</b>		
12		24	28	9 × 14 × 12	33.6	49.2	528 2,880	528 2,880	716	0.9	4.6	<b>30</b>		
15.5		27.5	34		46.6	64.8	796 4,290	796 4,290	1,180	1.5	6.2	<b>35</b>		
20	B-PT1/8	36.5	45	14 × 20 × 17	22.5	105	74.7	101	1,550 8,250	1,550 8,250	2,310	3.1	10.5	<b>45</b>

M<sub>P2</sub> and M<sub>Y2</sub> are allowable static moments when two blocks are used in close contact. 1kN ≅ 102kgf 1N · m ≅ 0.102kgf · m

							maximum length mm	
1,240	1,360	1,480					2,000	
1,360	1,480	1,600	1,660	1,720	1,840	1,960	3,000	
1,360	1,480	1,600	1,660	1,720	1,840	1,960	3,000	
1,640	1,720	1,800	1,880	1,960			3,000	
1,640	1,720	1,800	1,880	1,960			3,000	
2,250	2,355	2,460	2,565	2,670	2,775	2,880	2,985	3,000

# SGL-HYF TYPE



## part number structure

example **SGL 15 HYF B 2 T1 -589 P/W2 FS LB F J -KGL**

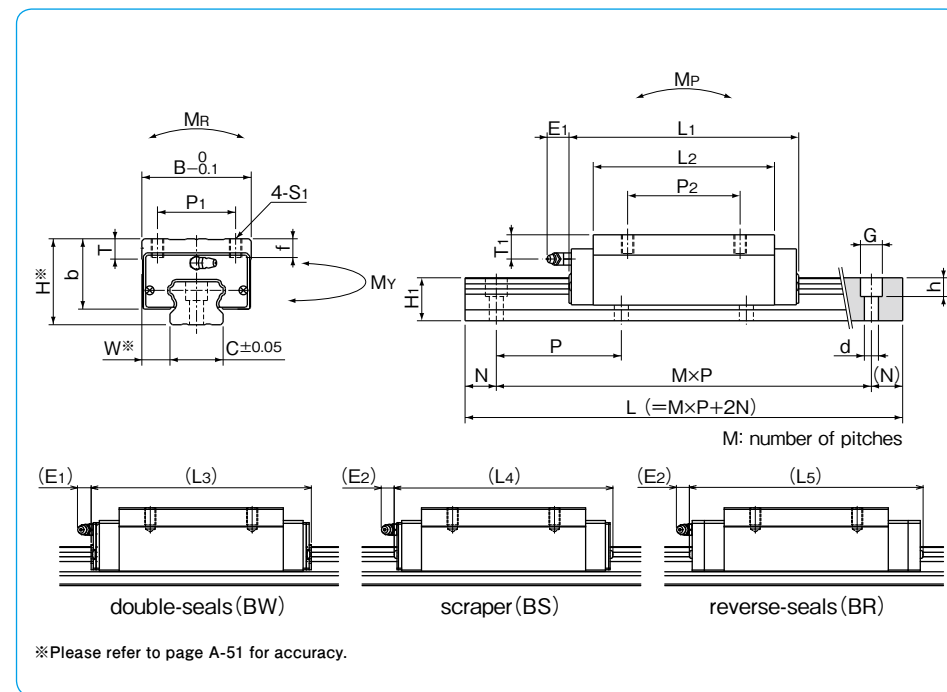
- SGL type
- size
- block style
- seal (refer to page A-14)
- blank: with side-seals
- B: with side-seals + under-seals
- BW: with double-seals + under-seals
- BS: B + scraper
- BR: B + reverse-seals
- number of blocks attached to one rail
- preload symbol
- blank: standard
- T1: light
- T2: medium
- total length of rail
- symbol for grease
- blank: standard grease
- KGL: lithium-based grease
- KGU: urea-based grease
- KGF: anti-fretting grease
- GK: K-grease refer to page Eng-39~
- with bellows (refer to page A-18)
- with rail mounting hole caps
- with low temperature black chrome treatment
- with Fiber Sheet
- symbol for number of axes\*
- blank: single axis
- W2: 2 parallel axes
- W3: 3 parallel axes
- accuracy grade
- blank: standard
- H: high
- P: precision

\*The symbol for the number of axes does not mean the number of rails ordered.

part number	assembly dimensions		block dimensions													
	H	W	B	L1	L2	L3	L4	L5	P1	P2	S1	f	T	b	E1	E2
	mm	mm	mm	mm	mm	mm	mm	mm	mm	mm	mm	mm	mm	mm	mm	mm
<b>SGL15HYF</b>	28	9.5	34	79	61	85.2	85.6	92.6	26	26	M4	5	6	23.7	6	5.4
<b>SGL20HYF</b>	30	12	44	96	77.6	102.2	102.6	113.6	32	50	M5	6	9.5	24	12	11
<b>SGL25HYF</b>	40	12.5	48	109	88	115.4	116.2	127.2	35		M6	8	9	33		
<b>SGL30HYF</b>	45	16	60	129	101	137.6	136.6	-	40	60	M8	10	13	35.5		
<b>SGL35HYF</b>	55	18	70	147	116	155.6	154.6	-	50	72		12	13	45		
<b>SGL45HYF</b>	70	20.5	86	171	134	179.5	180	-	60	80	M10	17	15	60	15	15

part number	standard rail length															
	L mm															
<b>SGL15</b>	160	220	280	340	400	460	520	580	640	700	760	820	880	940	1,000	1,120
<b>SGL20</b>	220	280	340	400	460	520	580	640	700	760	820	880	940	1,000	1,120	1,240
<b>SGL25</b>	220	280	340	400	460	520	580	640	700	760	820	880	940	1,000	1,120	1,240
<b>SGL30</b>	280	360	440	520	600	680	760	840	920	1,000	1,080	1,160	1,240	1,320	1,400	1,480
<b>SGL35</b>	280	360	440	520	600	680	760	840	920	1,000	1,080	1,160	1,240	1,320	1,400	1,480
<b>SGL45</b>	570	675	780	885	990	1,095	1,200	1,305	1,410	1,515	1,620	1,725	1,830	1,935	2,040	2,145

Rails exceeding the maximum specified length may be fabricated if joints are used. Please contact NB for assistance.

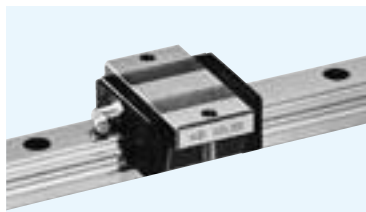


T1	grease fitting	guide rail dimensions					basic load rating		allowable static moment			mass		block size
		H1	C	d×G×h	N	P	dynamic C	static Co	MP	MY	MR	block kg	guide rail kg/m	
mm		mm	mm	mm	mm	mm	kN	kN	N·m	N·m	N·m	kg	kg/m	
9	pressed fitting	13.5	15	4.5×7.5×5.3	20	60	14.6	25.6	238	238	200	0.3	1.3	<b>15</b>
8	B-M6F	16	20	6×9.5×8.5			23.9	40.2	467	467	432	0.5	2.1	<b>20</b>
13.5		20	23	7×11×9	32.8	54.5	723	723	655	0.9	3.0	<b>25</b>		
12		24	28	9×14×12	44.6	73.8	1,140	1,140	1,070	1.3	4.6	<b>30</b>		
15.5		27.5	34		61.9	97.2	1,720	1,720	1,780	2.2	6.2	<b>35</b>		
20	B-PT1/8	36.5	45	14×20×17	22.5	105	91.4	134	2,680	2,680	3,080	4.0	10.5	<b>45</b>

MP2 and MY2 are allowable static moments when two blocks are used in close contact. 1kN≒102kgf 1N·m≒0.102kgf·m

										maximum length
										mm
1,240	1,360	1,480								2,000
1,360	1,480	1,600	1,660	1,720	1,840	1,960				3,000
1,360	1,480	1,600	1,660	1,720	1,840	1,960				3,000
1,640	1,720	1,800	1,880	1,960						3,000
1,640	1,720	1,800	1,880	1,960						3,000
2,250	2,355	2,460	2,565	2,670	2,775	2,880	2,985			3,000

# SGL-E TYPE



## part number structure

example **SGL 15 E B 2 T1 -589 D P/W2 FS LB F J -KGL**

<p>example</p> <p>SGL type</p> <p>size</p> <p>block style</p> <p>seal (refer to page A-14)</p> <p>blank: with side-seals</p> <p>B: with side-seals + under-seals</p> <p>BW: with double-seals + under-seals</p> <p>BS: B + scraper</p> <p>BR: B + reverse-seals</p> <p>number of blocks attached to one rail</p> <p>preload symbol</p> <p>blank: standard</p> <p>T1: light</p> <p>T2: medium</p> <p>total length of rail</p> <p>size of rail installation hole (D type rail is available only for SGL 15 and 30)</p>	<p>symbol for grease</p> <p>blank: standard grease</p> <p>KGL: lithium-based grease</p> <p>KGU: urea-based grease</p> <p>KGF: anti-fretting grease</p> <p>GK: K-grease</p> <p>refer to page Eng-39~</p> <p>with bellows (refer to page A-18)</p> <p>with rail mounting hole caps</p> <p>with low temperature black chrome treatment</p> <p>with Fiber Sheet</p> <p>symbol for number of axes*</p> <p>blank: single axis</p> <p>W2: 2 parallel axes</p> <p>W3: 3 parallel axes</p> <p>accuracy grade</p> <p>blank: standard</p> <p>H: high</p> <p>P: precision</p>
--	---

\*The symbol for the number of axes does not mean the number of rails ordered.

part number	assembly dimensions		block dimensions											
	H	W	B	L <sub>1</sub>	L <sub>2</sub>	L <sub>3</sub>	L <sub>4</sub>	L <sub>5</sub>	P <sub>1</sub>	S <sub>1</sub>	T	b	E <sub>1</sub>	E <sub>2</sub>
	mm	mm	mm	mm	mm	mm	mm	mm	mm	mm	mm	mm	mm	mm
<b>SGL15E</b> <b>SGL15E-D</b>	24	18.5	52	40.7	22.7	46.9	47.3	54.3	41	4.5	7	19.5	6	5.4
<b>SGL20E</b>	28	19.5	59	47.9	29.5	54.1	54.5	65.5	49	5.5	9	22	12	11
<b>SGL25E</b>	33	25	73	58.7	37.7	65.1	65.9	76.9	60	7	10	26		
<b>SGL30E</b> <b>SGL30E-D</b>	42	31	90	68	40	76.6	75.6	—	72	9	32.5			
<b>SGL35E</b>	48	33	100	77	46	85.6	84.6	—	82		13	38		

part number	standard rail length L mm															
<b>SGL 15</b>	160	220	280	340	400	460	520	580	640	700	760	820	880	940	1,000	1,120
<b>SGL20</b>	220	280	340	400	460	520	580	640	700	760	820	880	940	1,000	1,120	1,240
<b>SGL25</b>	220	280	340	400	460	520	580	640	700	760	820	880	940	1,000	1,120	1,240
<b>SGL30</b>	280	360	440	520	600	680	760	840	920	1,000	1,080	1,160	1,240	1,320	1,400	1,480
<b>SGL35</b>	280	360	440	520	600	680	760	840	920	1,000	1,080	1,160	1,240	1,320	1,400	1,480

Rails exceeding the maximum specified length may be fabricated if joints are used. Please contact NB for assistance.

Technical diagrams showing dimensions and load capacities for different seal types:

- double-seals (BW)**: Dimensions include  $H$ ,  $b$ ,  $W$ ,  $C \pm 0.05$ ,  $B_{-0.1}$ ,  $P_1$ ,  $2 \cdot S_1$ ,  $M_R$ ,  $M_Y$ .
- scraper (BS)**: Dimensions include  $H$ ,  $E_1$ ,  $L_1$ ,  $L_2$ ,  $P$ ,  $N$ ,  $M \times P$ ,  $L (=M \times P + 2N)$ ,  $d$ ,  $(N)$ ,  $G$ ,  $M_P$ .
- reverse-seals (BR)**: Dimensions include  $E_2$ ,  $L_3$ ,  $L_4$ ,  $L_5$ .

M: number of pitches

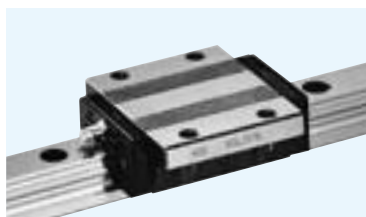
\*Please refer to page A-51 for accuracy.

T <sub>1</sub>	grease fitting	guide rail dimensions				basic load rating		allowable static moment			mass		block size		
		H <sub>1</sub>	C	d × G × h	N	P	dynamic C	static C <sub>0</sub>	M <sub>P</sub>	M <sub>Y</sub>	M <sub>R</sub>	block kg		guide rail kg/m	
mm		mm	mm	mm	mm	mm	kN	kN	N · m	N · m	N · m	kg	kg/m		
5	pressed fitting	13.5	15	3.5 × 6 × 4.5 4.5 × 7.5 × 5.3	20	60	7.29	9.45	36.7 252	36.7 252	73.9	0.1	1.3	<b>15</b>	
6	B-M6F	16	20	6 × 9.5 × 8.5			80	11.9	14.8	71.9 447	71.9 447	159	0.2	2.1	<b>20</b>
6.5		20	23	7 × 11 × 9			23.0	21.1	123 751	123 751	254	0.4	3.0	<b>25</b>	
9		24	28	7 × 11 × 9 9 × 14 × 12			23.0	28.7	195 1,260	195 1,260	417	0.6	4.6	<b>30</b>	
8.5		27.5	34	9 × 14 × 12			32.0	37.8	293 1,870	293 1,870	693	0.9	6.2	<b>35</b>	

M<sub>P2</sub> and M<sub>Y2</sub> are allowable static moments when two blocks are used in close contact. 1kN ≃ 102kgf 1N · m ≃ 0.102kgf · m

	maximum length mm
1,240 1,360 1,480	2,000
1,360 1,480 1,600 1,660 1,720 1,840 1,960	3,000
1,360 1,480 1,600 1,660 1,720 1,840 1,960	3,000
1,640 1,720 1,800 1,880 1,960	3,000
1,640 1,720 1,800 1,880 1,960	3,000

# SGL-TE TYPE



## part number structure

example **SGL 15 TE B 2 T1 -589 D P/W2 FS LB F J -KGL**

SGL type: **SGL**  
 size: **15**  
 block style: **TE**  
 seal (refer to page A-14): **B**  
 blank: with side-seals  
**B**: with side-seals + under-seals  
**BW**: with double-seals + under-seals  
**BS**: B + scraper  
**BR**: B + reverse-seals  
 number of blocks attached to one rail: **2**  
 preload symbol: **T1**  
 blank: standard  
**T1**: light  
**T2**: medium  
 total length of rail: **589**  
 size of rail installation hole (D type rail is available only for SGL 15 and 30): **D**

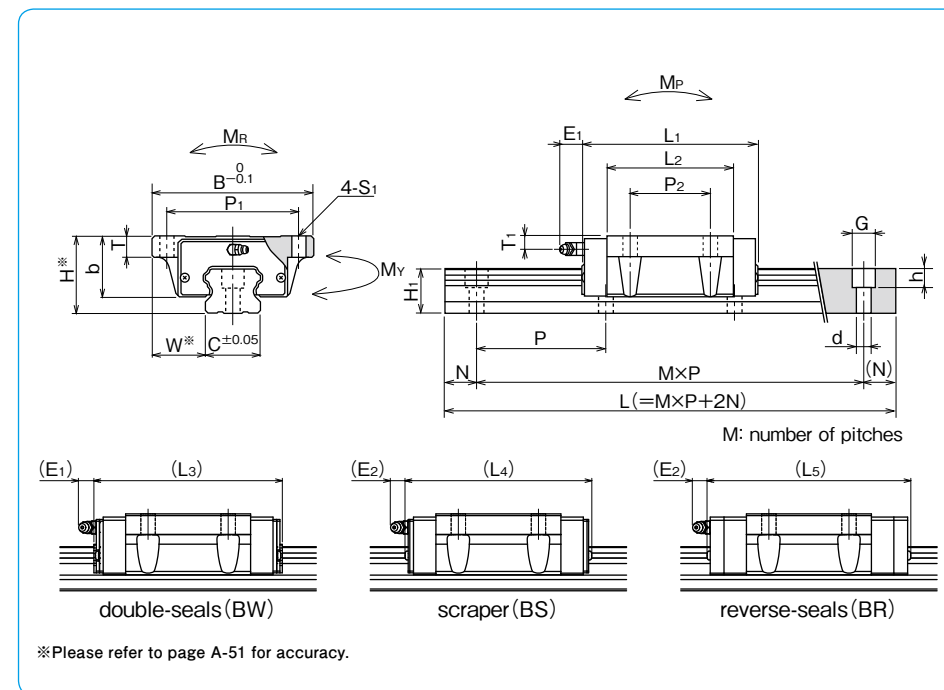
symbol for grease: **KGL**  
 blank: standard grease  
**KGL**: lithium-based grease  
**KGU**: urea-based grease  
**KGF**: anti-fretting grease  
**GK**: K-grease refer to page Eng-39~  
 with bellows (refer to page A-18): **4-S1**  
 with rail mounting hole caps: **P1**  
 with low temperature black chrome treatment: **W2**  
 with Fiber Sheet: **FS**  
 symbol for number of axes\*: **LB**  
 blank: single axis  
**W2**: 2 parallel axes  
**W3**: 3 parallel axes  
 accuracy grade: **F**  
 blank: standard  
**H**: high  
**P**: precision

\*The symbol for the number of axes does not mean the number of rails ordered.

part number	assembly dimensions		block dimensions												
	H	W	B	L <sub>1</sub>	L <sub>2</sub>	L <sub>3</sub>	L <sub>4</sub>	L <sub>5</sub>	P <sub>1</sub>	P <sub>2</sub>	S <sub>1</sub>	T	b	E <sub>1</sub>	E <sub>2</sub>
<b>SGL15TE</b> <b>SGL15TE-D</b>	24	18.5	52	56.5	38.5	62.7	63.1	70.1	41	26	4.5	7	19.5	6	5.4
<b>SGL20TE</b>	28	19.5	59	65.8	47.4	72	72.4	83.4	49	32	5.5	9	22		
<b>SGL25TE</b>	33	25	73	80	59	86.4	87.2	98.2	60	35	7	10	26	12	11
<b>SGL30TE</b> <b>SGL30TE-D</b>	42	31	90	95.7	67.7	104.3	103.3	-	72	40	9	10	32.5		
<b>SGL35TE</b>	48	33	100	109	78	117.6	116.6	-	82	50	9	13	38		

part number	standard rail length L mm															
<b>SGL 15</b>	160	220	280	340	400	460	520	580	640	700	760	820	880	940	1,000	1,120
<b>SGL20</b>	220	280	340	400	460	520	580	640	700	760	820	880	940	1,000	1,120	1,240
<b>SGL25</b>	220	280	340	400	460	520	580	640	700	760	820	880	940	1,000	1,120	1,240
<b>SGL30</b>	280	360	440	520	600	680	760	840	920	1,000	1,080	1,160	1,240	1,320	1,400	1,480
<b>SGL35</b>	280	360	440	520	600	680	760	840	920	1,000	1,080	1,160	1,240	1,320	1,400	1,480

Rails exceeding the maximum specified length may be fabricated if joints are used. Please contact NB for assistance.

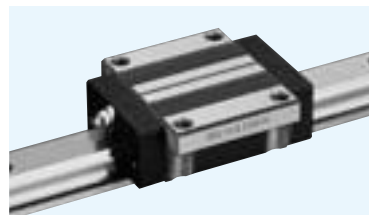


T <sub>1</sub>	grease fitting	guide rail dimensions				basic load rating		allowable static moment			mass		block size	
		H <sub>1</sub>	C	d × G × h	N	P	dynamic C	static C <sub>0</sub>	M <sub>P</sub>	M <sub>Y</sub>	M <sub>R</sub>	block kg		guide rail kg/m
5	pressed fitting	13.5	15	3.5 × 6 × 4.5 4.5 × 7.5 × 5.3	20	60	10.6	16.2	99.5 565	99.5 565	126	0.2	1.3	<b>15</b>
6	B-M6F	16	20	6 × 9.5 × 8.5			60	16.3	23.2	165 897	165 897	250	0.3	2.1
6.5		20	23	7 × 11 × 9	80	24.7	36.3	334 1,740	334 1,740	437	0.6	3.0	<b>25</b>	
9		24	28	7 × 11 × 9 9 × 14 × 12	80	33.6	49.2	528 2,880	528 2,880	716	1.0	4.6	<b>30</b>	
8.5		27.5	34	9 × 14 × 12	80	46.6	64.8	796 4,290	796 4,290	1,180	1.5	6.2	<b>35</b>	

M<sub>P2</sub> and M<sub>Y2</sub> are allowable static moments when two blocks are used in close contact. 1kN ≅ 102kgf 1N · m ≅ 0.102kgf · m

				maximum length mm
1,240	1,360	1,480		2,000
1,360	1,480	1,600	1,660	3,000
1,360	1,480	1,600	1,660	3,000
1,640	1,720	1,800	1,880	3,000
1,640	1,720	1,800	1,880	3,000

# SGL-HTE TYPE



## part number structure

example **SGL 15 HTE B 2 T1 -589 P/W2 FS LB F J -KGL**

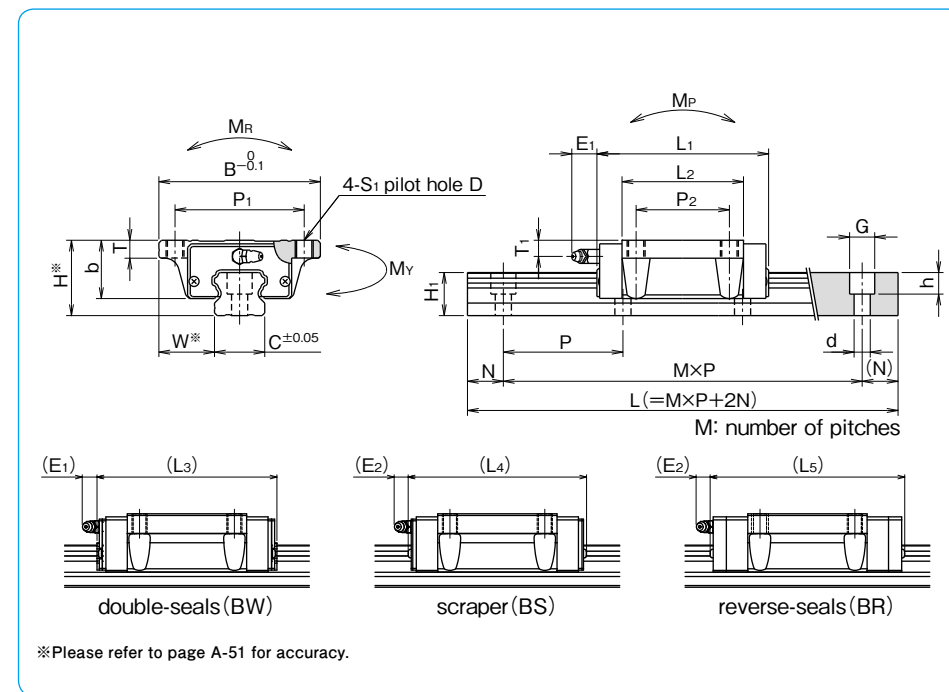
<p>example</p> <p>SGL type</p> <p>size</p> <p>block style</p> <p>seal (refer to page A-14)</p> <p>blank: with side-seals</p> <p><b>B</b>: with side-seals + under-seals</p> <p><b>BW</b>: with double-seals + under-seals</p> <p><b>BS</b>: B + scraper</p> <p><b>BR</b>: B + reverse-seals</p> <p>number of blocks attached to one rail</p> <p>preload symbol</p> <p>blank: standard</p> <p><b>T1</b>: light</p> <p><b>T2</b>: medium</p> <p>total length of rail</p>	<p>symbol for grease</p> <p>blank: standard grease</p> <p><b>KGL</b>: lithium-based grease</p> <p><b>KGU</b>: urea-based grease</p> <p><b>KGF</b>: anti-fretting grease</p> <p><b>GK</b>: K-grease</p> <p>refer to page Eng-39~</p> <p>with bellows (refer to page A-18)</p> <p>with rail mounting hole caps</p> <p>with low temperature black chrome treatment</p> <p>with Fiber Sheet</p> <p>symbol for number of axes*</p> <p>blank: single axis</p> <p><b>W2</b>: 2 parallel axes</p> <p><b>W3</b>: 3 parallel axes</p> <p>accuracy grade</p> <p>blank: standard</p> <p><b>H</b>: high</p> <p><b>P</b>: precision</p>
--	---

\*The symbol for the number of axes does not mean the number of rails ordered.

part number	assembly dimensions		block dimensions															
	H	W	B	L <sub>1</sub>	L <sub>2</sub>	L <sub>3</sub>	L <sub>4</sub>	L <sub>5</sub>	P <sub>1</sub>	P <sub>2</sub>	S <sub>1</sub>	D	T	b	E <sub>1</sub>	E <sub>2</sub>		
	mm	mm	mm	mm	mm	mm	mm	mm	mm	mm	mm	mm	mm	mm	mm	mm		
<b>SGL15HTE</b>	24	16	47	56.5	38.5	62.7	63.1	70.1	38	30	M5	4.4	7.5	19.7	6	5.4		
<b>SGL20HTE</b>	30	21.5	63	71.6	53.2	77.8	78.2	89.2	53	40	M6	5.4	10.5	24	12	11		
<b>SGL25HTE</b>	36	23.5	70	80	59	86.4	87.2	98.2	57	45	M8	6.8	12.5	29				
<b>SGL30HTE</b>	42	31	90	95.7	67.7	104.3	103.3	—	72	52	M10	8.5	10	32.5				
<b>SGL35HTE</b>	48	33	100	109	78	117.6	116.6	—	82	62							13	38
<b>SGL45HTE</b>	60	37.5	120	139	102	147.5	148	—	100	80								

part number	standard rail length															
	L mm															
<b>SGL15</b>	160	220	280	340	400	460	520	580	640	700	760	820	880	940	1,000	1,120
<b>SGL20</b>	220	280	340	400	460	520	580	640	700	760	820	880	940	1,000	1,120	1,240
<b>SGL25</b>	220	280	340	400	460	520	580	640	700	760	820	880	940	1,000	1,120	1,240
<b>SGL30</b>	280	360	440	520	600	680	760	840	920	1,000	1,080	1,160	1,240	1,320	1,400	1,480
<b>SGL35</b>	280	360	440	520	600	680	760	840	920	1,000	1,080	1,160	1,240	1,320	1,400	1,480
<b>SGL45</b>	570	675	780	885	990	1,095	1,200	1,305	1,410	1,515	1,620	1,725	1,830	1,935	2,040	2,145

Rails exceeding the maximum specified length may be fabricated if joints are used. Please contact NB for assistance.



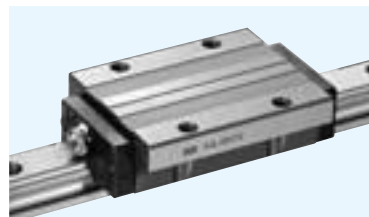
T <sub>1</sub>	grease fitting	guide rail dimensions				basic load rating		allowable static moment			mass		block size	
		H <sub>1</sub>	C	d×G×h	N	P	dynamic C	static C <sub>0</sub>	M <sub>P</sub>	M <sub>Y</sub>	M <sub>R</sub>	block kg		guide rail kg/m
mm		mm	mm	mm	mm	mm	kN	kN	N·m	N·m	N·m	kg	kg/m	
5	pressed fitting	13.5	15	4.5×7.5×5.3	20	60	10.6	16.2	99.5 565	99.5 565	126	0.2	1.3	<b>15</b>
8	B-M6F	16	20	6×9.5×8.5			18.3	27.5	226 1,180	226 1,180	296	0.4	2.1	<b>20</b>
9.5		20	23	7×11×9			24.7	36.3	334 1,740	334 1,740	437	0.6	3.0	<b>25</b>
9		24	28	9×14×12			33.6	49.2	528 2,880	528 2,880	716	1.0	4.6	<b>30</b>
8.5		27.5	34				46.6	64.8	796 4,290	796 4,290	1,180	1.5	6.2	<b>35</b>
10	B-PT1/8	36.5	45	14×20×17			22.5	105	74.7	101	1,550 8,250	1,550 8,250	2,310	3.1

M<sub>P2</sub> and M<sub>Y2</sub> are allowable static moments when two blocks are used in close contact. 1kN≒102kgf 1N·m≒0.102kgf·m

							maximum length	
							mm	
1,240	1,360	1,480					2,000	
1,360	1,480	1,600	1,660	1,720	1,840	1,960	3,000	
1,360	1,480	1,600	1,660	1,720	1,840	1,960	3,000	
1,640	1,720	1,800	1,880	1,960			3,000	
1,640	1,720	1,800	1,880	1,960			3,000	
2,250	2,355	2,460	2,565	2,670	2,775	2,880	2,985	3,000



# SGL-HYE TYPE



## part number structure

example **SGL 15 HYE B 2 T1 -589 P/W2 FS LB F J -KGL**

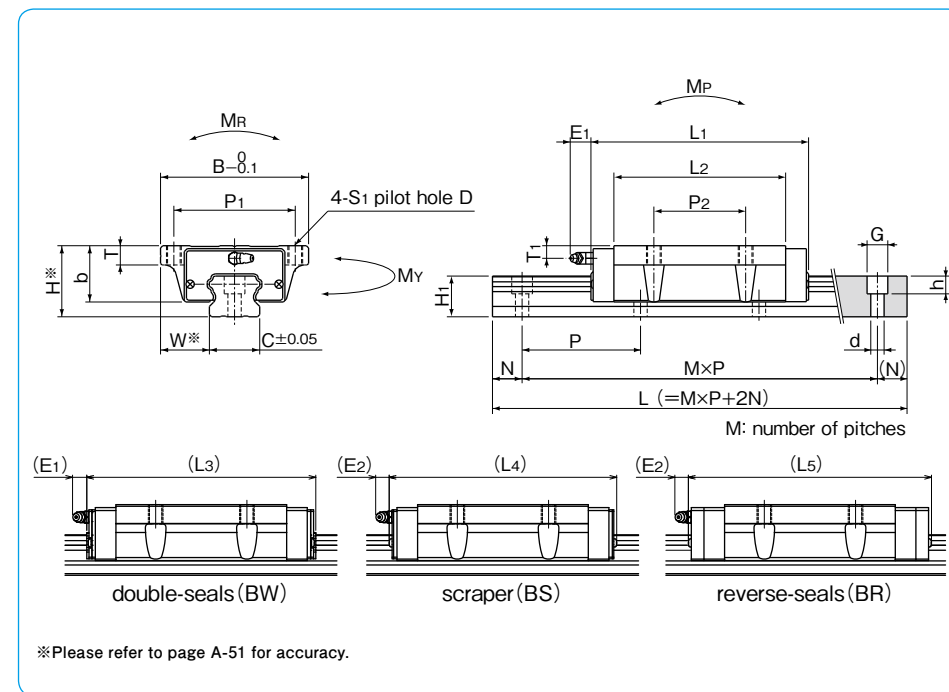
SGL type: **SGL**  
 size: **15**  
 block style: **HYE**  
 seal (refer to page A-14): **B**  
 blank: with side-seals  
**B**: with side-seals + under-seals  
**BW**: with double-seals + under-seals  
**BS**: B + scraper  
**BR**: B + reverse-seals  
 number of blocks attached to one rail: **2**  
 preload symbol: **T1**  
 blank: standard  
**T1**: light  
**T2**: medium  
 total length of rail: **589**  
 symbol for grease: **P**  
 blank: standard grease  
**KGL**: lithium-based grease  
**KGU**: urea-based grease  
**KGF**: anti-fretting grease  
**GK**: K-grease  
 refer to page Eng-39~  
 with bellows (refer to page A-18): **W2**  
 with rail mounting hole caps: **FS**  
 with low temperature black chrome treatment: **LB**  
 with Fiber Sheet: **F**  
 symbol for number of axes\*: **J**  
 blank: single axis  
**W2**: 2 parallel axes  
**W3**: 3 parallel axes  
 accuracy grade: **K**  
 blank: standard  
**H**: high  
**P**: precision

\*The symbol for the number of axes does not mean the number of rails ordered.

part number	assembly dimensions		block dimensions													
	H	W	B	L1	L2	L3	L4	L5	P1	P2	S1	D	T	b	E1	E2
	mm	mm	mm	mm	mm	mm	mm	mm	mm	mm	mm	mm	mm	mm	mm	mm
<b>SGL15HYE</b>	24	16	47	79	61	85.2	85.6	92.6	38	30	M5	4.4	7.5	19.7	6	5.4
<b>SGL20HYE</b>	30	21.5	63	96	77.6	102.2	102.6	113.6	53	40	M6	5.4	10.5	24	12	11
<b>SGL25HYE</b>	36	23.5	70	109	88	115.4	116.2	127.2	57	45	M8	6.8	12.5	29		
<b>SGL30HYE</b>	42	31	90	129	101	137.6	136.6	-	72	52	M10	8.5	10	32.5		
<b>SGL35HYE</b>	48	33	100	147	116	155.6	154.6	-	82	62		13	38			
<b>SGL45HYE</b>	60	37.5	120	171	134	179.5	180	-	100	80		M12	10.5	15		

part number	standard rail length L mm															
<b>SGL15</b>	160	220	280	340	400	460	520	580	640	700	760	820	880	940	1,000	1,120
<b>SGL20</b>	220	280	340	400	460	520	580	640	700	760	820	880	940	1,000	1,120	1,240
<b>SGL25</b>	220	280	340	400	460	520	580	640	700	760	820	880	940	1,000	1,120	1,240
<b>SGL30</b>	280	360	440	520	600	680	760	840	920	1,000	1,080	1,160	1,240	1,320	1,400	1,480
<b>SGL35</b>	280	360	440	520	600	680	760	840	920	1,000	1,080	1,160	1,240	1,320	1,400	1,480
<b>SGL45</b>	570	675	780	885	990	1,095	1,200	1,305	1,410	1,515	1,620	1,725	1,830	1,935	2,040	2,145

Rails exceeding the maximum specified length may be fabricated if joints are used. Please contact NB for assistance.

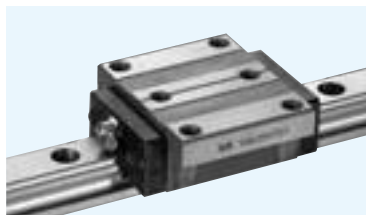


T1	grease fitting	guide rail dimensions				N	P	basic load rating		allowable static moment			mass		block size
		H1	C	d×G×h	C			Co	MP	MY	MR	block	guide rail		
mm		mm	mm	mm	mm	mm	kN	kN	N·m	N·m	N·m	kg	kg/m		
5	pressed fitting	13.5	15	4.5×7.5×5.3	20	60	14.6	25.6	238 1,200	238 1,200	200	0.3	1.3	<b>15</b>	
8	B-M6F	16	20	6×9.5×8.5			23.9	40.2	467 2,250	467 2,250	432	0.7	2.1	<b>20</b>	
9.5		20	23	7×11×9			32.8	54.5	723 3,480	723 3,480	655	1.0	3.0	<b>25</b>	
9		24	28	9×14×12			44.6	73.8	1,140 5,680	1,140 5,680	1,070	1.5	4.6	<b>30</b>	
8.5		27.5	34				61.9	97.2	1,720 8,480	1,720 8,480	1,780	2.2	6.2	<b>35</b>	
10	B-PT1/8	36.5	45	14×20×17	22.5	105	91.4	134	2,680 13,300	2,680 13,300	3,080	4.0	10.5	<b>45</b>	

MP2 and MY2 are allowable static moments when two blocks are used in close contact. 1kN≒102kgf 1N·m≒0.102kgf·m

							maximum length mm	
1,240	1,360	1,480					2,000	
1,360	1,480	1,600	1,660	1,720	1,840	1,960	3,000	
1,360	1,480	1,600	1,660	1,720	1,840	1,960	3,000	
1,640	1,720	1,800	1,880	1,960			3,000	
1,640	1,720	1,800	1,880	1,960			3,000	
2,250	2,355	2,460	2,565	2,670	2,775	2,880	2,985	3,000

# SGL-HTEX TYPE



## part number structure

example **SGL 15 HTEX B 2 T1 -589 P/W2 FS LB F J -KGL**

- SGL type
- size
- block style
- seal (refer to page A-14)
  - blank: with side-seals
  - B: with side-seals + under-seals
  - BW: with double-seals + under-seals
  - BS: B + scraper
  - BR: B + reverse-seals
- number of blocks attached to one rail
- preload symbol
  - blank: standard
  - T1: light
  - T2: medium
- total length of rail
- symbol for grease
  - blank: standard grease
  - KGL: lithium-based grease
  - KGU: urea-based grease
  - KGF: anti-fretting grease
  - GK: K-grease
  - refer to page Eng-39~
- with bellows (refer to page A-18)
- with rail mounting hole caps
- with low temperature black chrome treatment
- with Fiber Sheet
- symbol for number of axes\*
  - blank: single axis
  - W2: 2 parallel axes
  - W3: 3 parallel axes
- accuracy grade
  - blank: standard
  - H: high
  - P: precision

\*The symbol for the number of axes does not mean the number of rails ordered.

part number	assembly dimensions		block dimensions														
	H	W	B	L1	L2	L3	L4	L5	P1	P2	S1	D	T	P3	S2	f	b
	mm	mm	mm	mm	mm	mm	mm	mm	mm	mm	mm	mm	mm	mm	mm	mm	mm
<b>SGL15HTEX</b>	24	16	47	56.5	38.5	62.7	63.1	70.1	38	30	M5	4.4	7.5	26	M5	6	19.7
<b>SGL20HTEX</b>	30	21.5	63	71.6	53.2	77.8	78.2	89.2	53	40	M6	5.4	10.5	35	M6	8	24
<b>SGL25HTEX</b>	36	23.5	70	80	59	86.4	87.2	98.2	57	45	M8	6.8	12.5	40	M8	10	29
<b>SGL30HTEX</b>	42	31	90	95.7	67.7	104.3	103.3	—	72	52	M10	10	44	M10	13	32.5	
<b>SGL35HTEX</b>	48	33	100	109	78	117.6	116.6	—	82	62		8.5	13			52	13
<b>SGL45HTEX</b>	60	37.5	120	139	102	147.5	148	—	100	80	M12	10.5	15	60	M12	14	50

part number	standard rail length L mm															
<b>SGL15</b>	160	220	280	340	400	460	520	580	640	700	760	820	880	940	1,000	1,120
<b>SGL20</b>	220	280	340	400	460	520	580	640	700	760	820	880	940	1,000	1,120	1,240
<b>SGL25</b>	220	280	340	400	460	520	580	640	700	760	820	880	940	1,000	1,120	1,240
<b>SGL30</b>	280	360	440	520	600	680	760	840	920	1,000	1,080	1,160	1,240	1,320	1,400	1,480
<b>SGL35</b>	280	360	440	520	600	680	760	840	920	1,000	1,080	1,160	1,240	1,320	1,400	1,480
<b>SGL45</b>	570	675	780	885	990	1,095	1,200	1,305	1,410	1,515	1,620	1,725	1,830	1,935	2,040	2,145

Rails exceeding the maximum specified length may be fabricated if joints are used. Please contact NB for assistance.

MR  
B-0.1  
P1  
2-S2  
4-S1 pilot hole D  
My  
W※  
C±0.05  
E1  
L1  
L2  
N  
P  
M×P  
L (=M×P+2N)  
G  
d  
(N)  
M: number of pitches

(E1) (L3) double-seals (BW)  
(E2) (L4) scraper (BS)  
(E2) (L5) reverse-seals (BR)

※Please refer to page A-51 for accuracy.

E1	E2	T1	grease fitting	guide rail dimensions				N	P	basic load rating		allowable static moment		mass		block size
				H1	C	d×G×h	mm			mm	dynamic C	static Co	Mp	My	Mr	
mm	mm	mm		mm	mm	mm	mm	mm	kN	kN	N·m	N·m	N·m	kg	kg/m	
6	5.4	5	pressed fitting	13.5	15	4.5×7.5×5.3	20	60	10.6	16.2	99.5 565	99.5 565	126	0.2	1.3	<b>15</b>
12	11	8	B-M6F	16	20	6×9.5×8.5			18.3	27.5	226 1,180	226 1,180	296	0.4	2.1	<b>20</b>
		9.5		20	23	7×11×9			24.7	36.3	334 1,740	334 1,740	437	0.6	3.0	<b>25</b>
		9		24	28	9×14×12			33.6	49.2	528 2,880	528 2,880	716	1.0	4.6	<b>30</b>
8.5	27.5	34	46.6	64.8	796 4,290				796 4,290	1,180	1.5	6.2	<b>35</b>			
15	15	10	B-PT1/8	36.5	45	14×20×17			22.5	105	74.7	101	1,550 8,250	1,550 8,250	2,310	3.1

Mp2 and My2 are allowable static moments when two blocks are used in close contact. 1kN≒102kgf 1N·m≒0.102kgf·m

							maximum length mm	
1,240	1,360	1,480					2,000	
1,360	1,480	1,600	1,660	1,720	1,840	1,960	3,000	
1,360	1,480	1,600	1,660	1,720	1,840	1,960	3,000	
1,640	1,720	1,800	1,880	1,960			3,000	
1,640	1,720	1,800	1,880	1,960			3,000	
2,250	2,355	2,460	2,565	2,670	2,775	2,880	2,985	3,000

# SLIDE GUIDE SGW Type

The NB slide guide SGW type is a linear motion bearing utilizing the rolling motion of ball elements along four rows of raceway grooves. Its low height and wide profile makes it suitable for single-rail applications.

## STRUCTURE AND ADVANTAGES

The NB slide guide SGW type consists of a rail with four precisely machined raceway grooves and a block assembly. The block assembly consists of the main body, ball elements, retainers, and return caps.

### High Load Capacity and Long Life

The raceway grooves are machined to a radius close to that of the ball elements. The larger contact area resulting in a high load capacity and a long travel life.

### High Allowable Moment

Its wide profile enables it to sustain high moment loads, making it suitable for single-rail applications.

### Omni-Directional Load Capacity

The ball elements are positioned at 45° contact angle so that the load capacity is equal in four directions (above, below, right and left).

### Smooth Motion

The large number of effective ball elements produce a smooth rolling motion.

### Anti-Corrosion Specification

The rail and block assembly can be treated with low temperature black chrome treatment to increase the corrosion resistance. This treatment is standardized with the symbol "LB", and suitable for use in clean room applications.

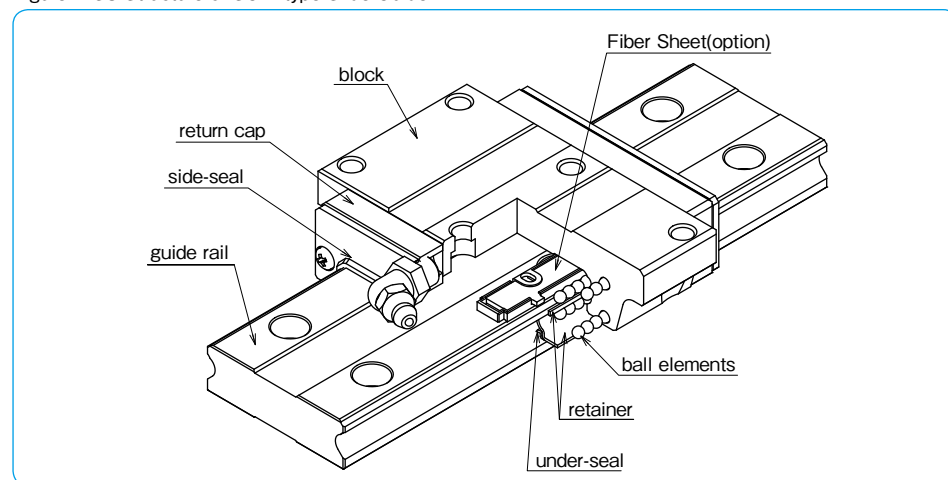
### Dust Prevention

Side-seals are provided as standard. To improve the dust prevention characteristics, under-seals and rail mounting caps are also available.

### Extension of Relubrication Period by Fiber Sheet

A lubricant-containing Fiber Sheet incorporated in the block supplies appropriate amount of lubricant to the raceway grooves, which significantly extends the lubricant replenishment interval. (refer to page A-16)

Figure A-58 Structure of SGW type Slide Guide

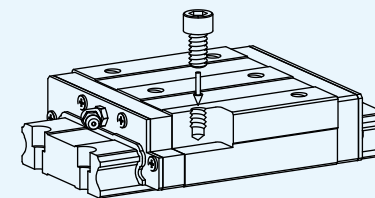


## BLOCK TYPES

Two SGW block types are available depending on the mounting space and desired mounting method.

SGW-TF type

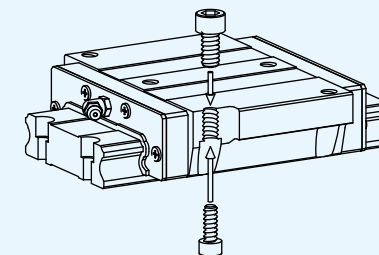
P.A-76



high-rigidity wide type

SGW-TE type

P.A-78



high-rigidity wide flange type

## ACCURACY

Three accuracy grades are available: standard grade (blank), high grade (H), and precision grade (P).

Table A-29 Accuracy

unit : mm

part number	SGW17,21			SGW27,35			
	accuracy grade	standard	high	precision	standard	high	precision
accuracy symbol	blank	H	P	blank	H	P	
allowable dimensional tolerance for height H	±0.1	±0.03	-0.03~0	±0.1	±0.04	-0.04~0	
paired difference for height H	0.02	0.01	0.006	0.02	0.015	0.007	
allowable dimensional tolerance for width W	±0.1	±0.03	-0.03~0	±0.1	±0.04	-0.04~0	
paired difference for width W	0.02	0.01	0.006	0.03	0.015	0.007	
Running parallelism of surface C to surface A							refer to Figure A-61,62
Running parallelism of surface D to surface B							refer to Figure A-61,62

Figure A-59 Motion Accuracy

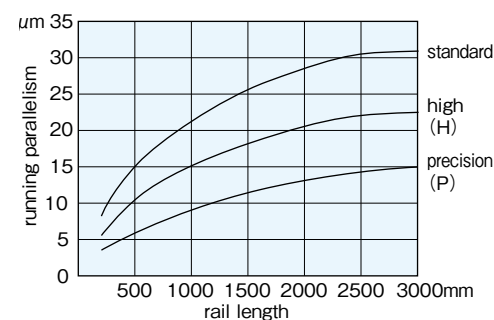
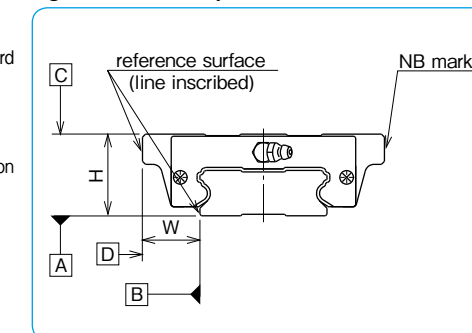


Figure A-60 Accuracy



### PRELOAD

Three levels of preload are available for SGW slide guides: standard (blank), light (T1), and medium (T2).

Table A-30 Preload Call Out and Radial Clearance unit:  $\mu\text{m}$

preload	standard	light	medium*
symbol	blank	T1	T2
SGW17	-3~+2	-7~-3	-
SGW21	-4~+2	-8~-4	-
SGW27	-5~+2	-11~-5	-
SGW35	-8~+4	-18~-8	-28~-18

Table A-31 Operating Conditions and Preload

preload	symbol	operating conditions
standard	blank	minute vibration is applied. accurate motion is required. moment is applied in a given direction.
light	T1	light vibration is applied. light torsional load is applied. moment is applied.
medium*	T2	shock and vibration are applied. over-hang load is applied. torsional load is applied.

\* Frictional resistance may be affected by preload.

### RAIL LENGTH

Slide guides with most commonly used lengths are available as standard. For slide guides with a non-standard length, unless otherwise specified, the distance from one end of the rail to the first hole center (N) will be within the range listed in Table A-32, satisfying the following equation.

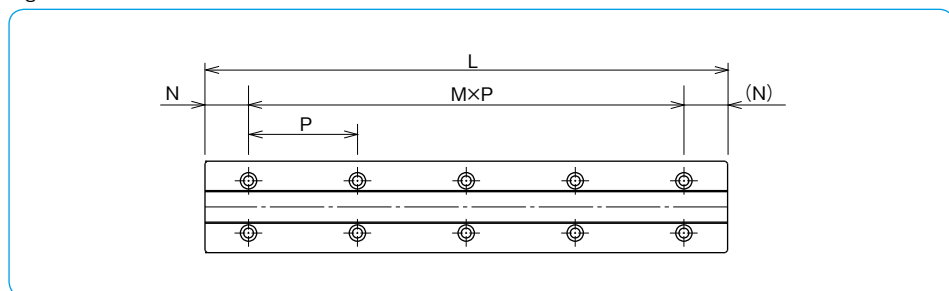
$$L = M \cdot P + 2N$$

L: length (mm) M: number of pitches P: hole pitch (mm)  
N: distance from the end of the rail to the first hole center (mm)

Table A-32 N Dimension unit: mm

part number	N	
	and over	less than
SGW17	8	28
SGW21		33
SGW27		38
SGW35		52

Figure A-61 Rail



### MOUNTING

Slide guides are generally mounted by pushing the reference surface of the rail and block against the shoulder of the mounting surface. To avoid interference between the shoulder and the corner of the rail or block, the recommended dimensions are listed in Table A-34.

The screws to fasten the rail should be tightened to an equal torque using a torque wrench in order to secure the motion accuracy. The recommended torque values are given in Table A-33. Please adjust the torque depending on the operating conditions.

Table A-33 Recommended Torque unit:  $\text{N} \cdot \text{m}$

size	M4	M6
recommended torque	3.2	11.2

(for alloy steel screw)

Figure A-62 Mounting Reference Surface Profile

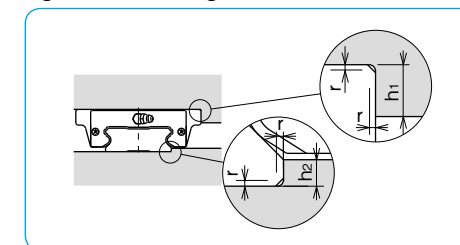


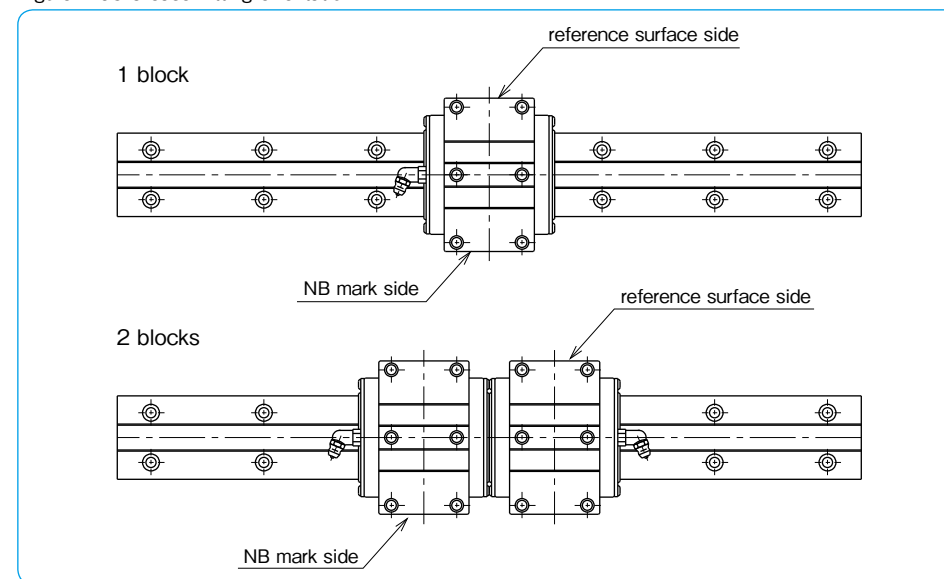
Table A-34 Shoulder Height and Radius Dimensions unit: mm

part number	h1	h2	rmax.
SGW17	4	2	0.4
SGW21	5	2.5	
SGW27		3.5	
SGW35		3.5	0.8

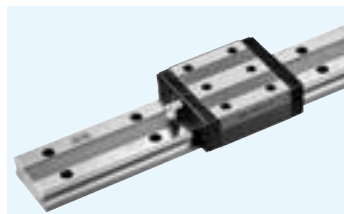
### GREASE FITTING

A grease fitting is attached to the return cap of SGW type guide block for lubrication purposes. Unless otherwise specified, the orientation of the grease fitting is as shown in Figure A-63. When more than 2 blocks are used on one rail, please specify the grease fitting orientation.

Figure A-63 Grease Fitting Orientation



# SGW-TF TYPE



## part number structure

example **SGW21TFB2T1-589P/W2FSLBFKGL**

SGW type	TF type	B	2	T1	589	P	W2	FS	LB	F	KGL
size	TF type	seal	number of blocks	preload symbol	total length of rail	accuracy grade	with rail mounting hole caps	with low temperature black chrome treatment	with Fiber Sheet	symbol for grease	symbol for number of axes*
		blank: with side-seals B: with side-seals + under-seals		blank: standard T1: light T2: medium		blank: standard H: high P: precision				blank: standard grease KGL: lithium-based grease KGLU: urea-based grease KGF: anti-fretting grease GK: K-grease refer to page Eng-39~	blank: single axis W2: 2 parallel axes W3: 3 parallel axes

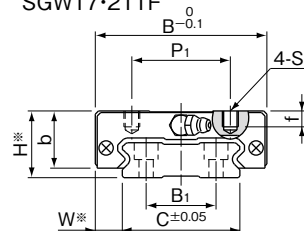
\*The symbol for the number of axes does not mean the number of rails ordered.

part number	assembly dimensions		block dimensions											grease fitting	
	H	W	B	L1	L2	P1	P2	S	f	T	b	E	T1		
	mm	mm	mm	mm	mm	mm	mm	mm	mm	mm	mm	mm	mm		
<b>SGW17TF</b>	17	8.5	50	51	33.6	29	15	M4	4	—	14.5	2.5	4	B-M6F	pressed fitting
<b>SGW21TF</b>	21	8.5	54	58	40	31	19	M5	5	—	18		4.5		
<b>SGW27TF</b>	27	10	62	71.8	51.8	46	32	M6	6	10	24	12	6		
<b>SGW35TF</b>	35	15.5	100	106.6	77.6	76	50	M8	8	14	31		8		

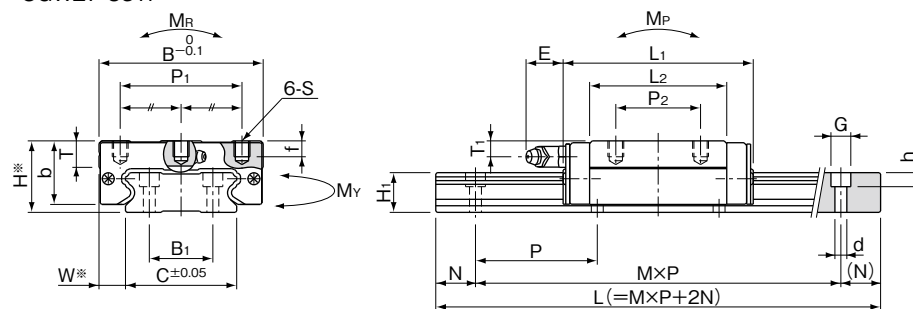
part number	standard rail length L mm										
<b>SGW17</b>	110	150	190	230	270	310	350	390	430	510	590
<b>SGW21</b>	130	180	230	280	330	380	430	480	530	630	730
<b>SGW27</b>	160	220	280	340	400	460	520	640	760	880	1,000
<b>SGW35</b>	280	360	440	520	600	680	760	920	1,080	1,240	1,400

Rails exceeding the maximum specified length may be fabricated if joints are used. Please contact NB for assistance.

## SGW17·21TF



## SGW27·35TF



\*Please refer to page A-73 for accuracy.

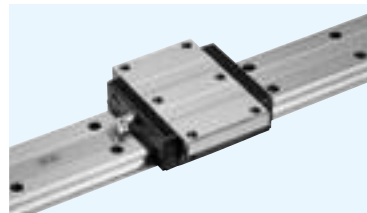
M: number of pitches

H1	C	B1	d×G×h	N	P	basic load rating		allowable static moment			mass block kg	mass guide rail kg/m	block size
						dynamic C kN	static Co kN	MP2 N·m	MY2 N·m	MR N·m			
mm	mm	mm	mm	mm	mm								
9	33	18	4.5×7.5×5.3	15	40	4.82	8.56	42.8 261	42.8 261	160	0.13	2.05	<b>17</b>
11	37	22			50	7.01	12.1	72.3 418	72.3 418	253	0.20	2.84	<b>21</b>
15	42	24		20	60	12.9	21.5	171 931	171 931	496	0.38	4.43	<b>27</b>
19	69	40			7×11×9	80	30.6	48.5	578 3,100	578 3,100	1,850	1.16	9.32

MP2 and MY2 are allowable static moments when two blocks are used in close contact. 1kN≒102kgf 1N·m≒0.102kgf·m

							maximum length mm
670	750	830	950	1,070	1,190	1,310	2,000
830	930	1,030	1,180	1,330	1,480		2,000
1,180	1,360	1,540	1,720	1,900			3,000
1,640	1,880	2,120					3,000

# SGW-TE TYPE



## part number structure

example **SGW 21 TE B 2 T1 -589 P/W2 FS LB F-KGL**

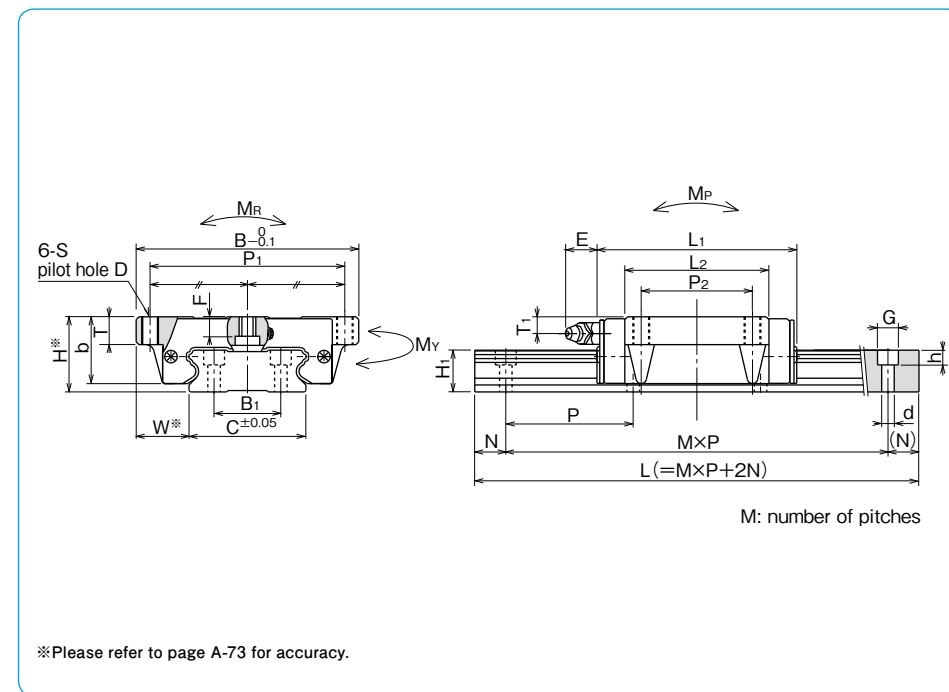
- SGW type
- size
- TE typeblock
- seal (refer to page A-14)
  - blank: with side-seals
  - B: with side-seals + under-seals
- number of blocks attached to one rail
- preload symbol
  - blank: standard
  - T1: light
  - T2: medium
- total length of rail
- accuracy grade
  - blank: standard
  - H: high
  - P: precision
- symbol for grease
  - blank: standard grease
  - KGL: lithium-based grease
  - KGU: urea-based grease
  - KGF: anti-fretting grease
  - GK: k-grease
  - refer to page Eng-39~
- with rail mounting hole caps
- with low temperature black chrome treatment
- with Fiber Sheet
- symbol for number of axes\*
  - blank: single axis
  - W2: 2 parallel axes
  - W3: 3 parallel axes

\*The symbol for the number of axes does not mean the number of rails ordered.

part number	assembly dimensions		block dimensions											grease fitting	
	H	W	B	L <sub>1</sub>	L <sub>2</sub>	P <sub>1</sub>	P <sub>2</sub>	S	D	F	T	b	E		T <sub>1</sub>
	mm	mm	mm	mm	mm	mm	mm	mm	mm	mm	mm	mm	mm	mm	mm
<b>SGW17TE</b>	17	13.5	60	51	33.6	53	26	M4	3.3	3.2	6	14.5	2.5	4	pressed fitting
<b>SGW21TE</b>	21	15.5	68	58	40	60	29	M5	4.4	3.7	8	18	12	4.5	B-M6F
<b>SGW27TE</b>	27	19	80	71.8	51.8	70	40	M6	5.3	6	10	24		6	
<b>SGW35TE</b>	35	25.5	120	106.6	77.6	107	60	M8	6.8	8	14	31		8	

part number	standard rail length L mm										
<b>SGW17</b>	110	150	190	230	270	310	350	390	430	510	590
<b>SGW21</b>	130	180	230	280	330	380	430	480	530	630	730
<b>SGW27</b>	160	220	280	340	400	460	520	640	760	880	1,000
<b>SGW35</b>	280	360	440	520	600	680	760	920	1,080	1,240	1,400

Rails exceeding the maximum specified length may be fabricated if joints are used. Please contact NB for assistance.



H <sub>1</sub>	C	B <sub>1</sub>	d×G×h	N	P	basic load rating		allowable static moment			mass block	mass guide rail	block size
						dynamic C	static C <sub>0</sub>	M <sub>P</sub>	M <sub>Y</sub>	M <sub>R</sub>			
mm	mm	mm	mm	mm	mm	kN	kN	N·m	N·m	N·m	kg	kg/m	
9	33	18	4.5×7.5×5.3	15	40	4.82	8.56	42.8 261	42.8 261	160	0.14	2.05	<b>17</b>
11	37	22			50	7.01	12.1	72.3 418	72.3 418	253	0.23	2.84	<b>21</b>
15	42	24		20	60	12.9	21.5	171 931	171 931	496	0.46	4.43	<b>27</b>
19	69	40			7×11×9	80	30.6	48.5	578 3,100	578 3,100	1,850	1.35	9.32

M<sub>P2</sub> and M<sub>Y2</sub> are allowable static moments when two blocks are used in close contact. 1kN≒102kgf 1N·m≒0.102kgf·m

							maximum length
							mm
670	750	830	950	1,070	1,190	1,310	2,000
830	930	1,030	1,180	1,330	1,480		2,000
1,180	1,360	1,540	1,720	1,900			3,000
1,640	1,880	2,120					3,000

# BALL SPLINE ROTARY BALL SPLINE STROKE BALL SPLINE BALL SCREW SPLINE

## BALL SPLINE

STRUCTURE AND ADVANTAGES	B-2
TYPES	B-3
ACCURACY	B-5
PRELOAD AND CLEARANCE IN ROTATIONAL DIRECTION	B-6
STRENGTH OF SPLINE SHAFT	B-7
LOAD RATING	B-8
CALCULATION OF DEFLECTION AND DEFLECTION ANGLE OF SPLINE SHAFT	B-9
ALLOWABLE ROTATIONAL SPEED OF SPLINE SHAFT	B-10
LIFE CALCULATION	B-11
OPERATING CONDITIONS	B-11
LUBRICATION	B-12
HOLLOW SPLINE SHAFT	B-12
SPECIAL REQUIREMENTS	B-12
USE AND HANDLING PRECAUTIONS	B-13
MOUNTING	B-14
DIMENSION TABLE	B-18~

## ROTARY BALL SPLINE

STRUCTURE AND ADVANTAGES	B-32
ACCURACY OF SPR TYPE	B-33
ACCURACY OF SPB TYPE	B-34
PRELOAD AND CLEARANCE IN ROTATIONAL DIRECTION	B-35
HOLLOW SPLINE SHAFT	B-36
SPECIAL REQUIREMENTS	B-36
MOUNTING	B-37
LUBRICATION	B-38
OPERATING CONDITIONS	B-39
APPLICATION EXAMPLES	B-39
DIMENSION TABLE	B-40~

## STROKE BALL SPLINE

STRUCTURE AND ADVANTAGES	B-46
ACCURACY	B-47
PRELOAD AND CLEARANCE IN ROTATIONAL DIRECTION	B-48
COMPARISON OF DYNAMIC FRICTIONAL RESISTANCE	B-48
USE AND HANDLING PRECAUTIONS	B-49
DIMENSION TABLE	B-50~

## BALL SCREW SPLINE

STRUCTURE AND ADVANTAGES	B-52
PRELOAD	B-52
USE AND HANDLING PRECAUTIONS	B-52
ACCURACY	B-53
SPBR TYPE MOTION PATTERN	B-54
SPBF TYPE MOTION PATTERN	B-55
DIMENSION TABLE	B-56~

# BALL SPLINE

The NB ball spline is a linear motion mechanism utilizing the rolling motion of ball elements that can sustain loads and transfer torque simultaneously. It can be used in a wide variety of applications including robotics and transport type equipment.

## STRUCTURE AND ADVANTAGES

The NB ball spline consists of a spline shaft with raceway grooves and a spline nut. The spline nut consists of an outer cylinder (main body), retainer, side rings, and ball elements that is designed and manufactured to achieve a reliably smooth motion.

### High Load Capacity and Long Travel Life

The raceway grooves are machined to a radius close to that of the ball elements. The large ball contact area results in high load capacity and long travel life.

### Wide Variety of Configurations

Spline shaft sizes with diameters from 4mm to 100mm are available. Several types of Spline nut are available: cylindrical types (SSP/SSPM), and flange types (SSPF/SSPT). Material option of Stainless steel (SUS440C or equivalent) is also available. They can be specified to suit various applications.

### High Accuracy Torque Transmission

Due to the effective contact angle between the raceway grooves and the balls, the NB ball spline can transfer large torque. By adjusting preload it is possible to obtain a higher rigidity and a higher positioning accuracy.

### Ease of Additional Custom Machining

Since a round shaft with raceway grooves is used, NB ball spline shafts can be easily machined to customized specifications.

### High-Speed Motion and High-Speed Rotation

The outer cylinder is compact and well balanced, resulting in good performance at high speed.

### LIGHT WEIGHT and COMPACTNESS

The NB ball spline SSP-AM type has a smaller spline-nut diameter compared to the conventional SSP type nut on the same shaft diameter. The SSP-AM type is best suited for the chip-mounter head device and the multi-axial applications. Anti-corrosion type is also available.

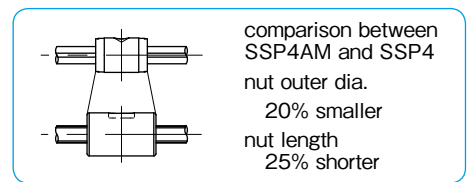
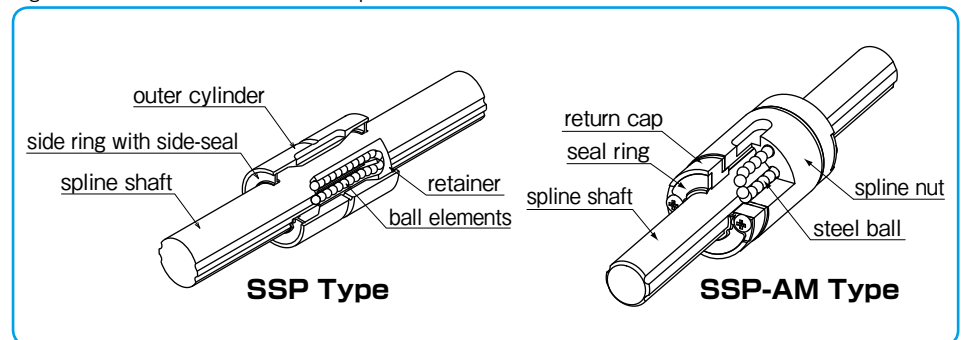


Figure B-1 Basic Structure of NB Ball Spline

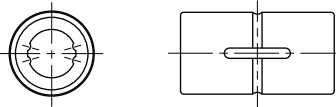
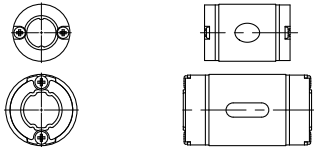
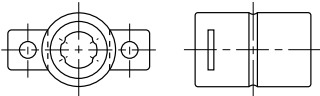
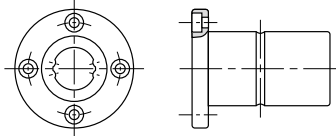
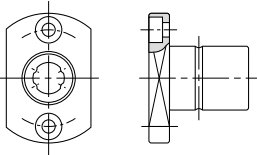
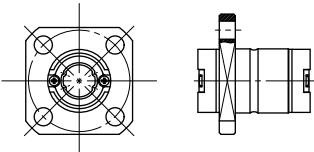


## TYPES

### TYPES OF SPLINE NUT

A wide variety of spline nut designs are available and all spline nuts come with side-seals as a standard feature.

Table B-1 Types of Spline Nut



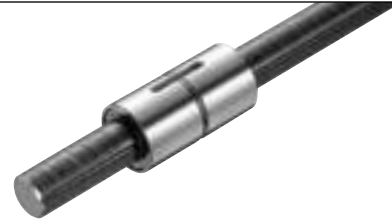
type of nut		shape and advantage	page
cylindrical type	SSP SSPS	 <ul style="list-style-type: none"> <li>cylindrical spline nut with key groove</li> <li>with special key</li> <li>nominal diameter: SSP4-100 : SSPS4-25</li> </ul>	P.B-18
	SSP-AM SSPS-AM	 <ul style="list-style-type: none"> <li>light and compact nut</li> <li>countersink for fixing (SSP4AM)</li> <li>with special key</li> <li>nominal diameter: 4-10</li> </ul>	P.B-20
	SSPM	 <ul style="list-style-type: none"> <li>cylindrical spline nut without key groove</li> <li>with two lock plates for fixing</li> <li>nominal diameter: 6-10</li> </ul>	P.B-22
flange type	SSPF SSPFS	 <ul style="list-style-type: none"> <li>spline nut with flange</li> <li>nominal diameter: SSPF6-60 : SSPFS6-25</li> </ul>	P.B-24
	SSPT	 <ul style="list-style-type: none"> <li>spline nut with a two side cut flange</li> <li>nominal diameter: 6-10</li> </ul>	P.B-26
	SSPT-AM SSPK-AM SSPTS-AM SSPKS-AM	 <ul style="list-style-type: none"> <li>light and compact nut with flange</li> <li>nominal diameter: 4-10</li> </ul>	P.B-28



**TYPES OF SPLINE SHAFT**

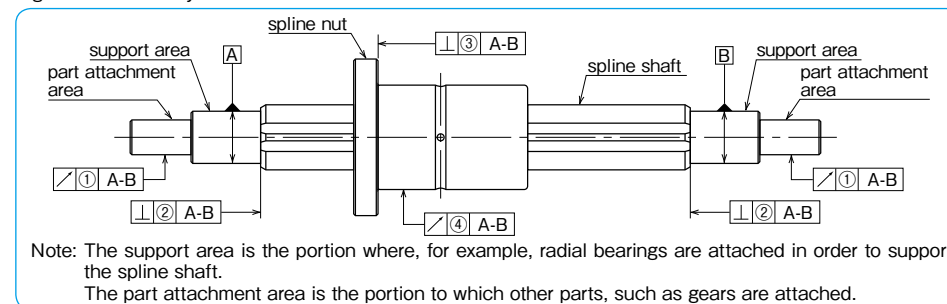
Depending on the application requirements, either a ground spline shaft or a non-ground (commercial grade) spline shaft is available.

Table B-2

type of spline shaft	shape and advantage
ground spline shaft	 <ul style="list-style-type: none"> <li>• precision ground and precision machined surface finish</li> <li>• high precision</li> <li>• possible to machine ends of spline shaft and surface treatment</li> <li>• nominal diameter: 4-100</li> </ul>
standard spline shaft	 <ul style="list-style-type: none"> <li>• standard dimension and shape</li> <li>• accuracy grade: high grade</li> <li>• short lead time</li> <li>• nominal diameter: 4-60 (refer to page B-30)</li> </ul>
commercial shaft (non-ground)	 <ul style="list-style-type: none"> <li>• for general industrial use</li> <li>• cost effective</li> <li>• possible to machine ends of spline shaft and surface treatment</li> <li>• nominal diameter: 20-50</li> <li>• maximum length: 5000mm (refer to page B-31)</li> </ul>

**ACCURACY**

The NB ball spline is measured for accuracy at the points shown in Figure B-2 and categorized as either high-grade (blank) or precision-grade (P). Contact NB for accuracy information on the commercial type ball spline. Figure B-2 Accuracy Measurement Points



**Tolerance of Spline Shaft Groove Torsion (Max.)**

The groove torsion is indicated per 100mm, arbitrarily set as the effective length of the spline shaft section.

Table B-3

Tolerance of Spline Shaft Groove Torsion (Max.)

type of shaft	ground shaft	
	high	precision (P)
accuracy grade		
tolerance	13 μm/100mm	6 μm/100mm

Table B-4 Tolerance Relative to Spline Support Area (Max.)

unit : μm

part number	radial runout of part attachment area ①		perpendicularity of the end of the spline shaft section ② (when grinding is requested on the drawing)		perpendicularity of the flange ③	
	high-grade	precision-grade	high-grade	precision-grade	high-grade	precision-grade
SSP 4 · 4AM	14	8	9	6	—	—
SSP 5AM					11	8
SSP 6 · 6AM						
SSP 8 · 8AM						
SSP 10 · 10AM	17	10	11	8	13	9
SSP 13A						
SSP 16A						
SSP 20A						
SSP 25A	22	13	13	9	16	11
SSP 30A						
SSP 40A						
SSP 50A						
SSP 60A	29	17	19	13	22	15
SSP 80						
SSP 80L						
SSP100						
SSP100L	34	20	22	15	—	—
SSP 20						
SSP 25						
SSP 30						
SSP 40	25	15	16	11	19	13
SSP 50						
SSP 60						
SSP 80						

Table B-5 ④ Radial Runout of Outer Surface of Spline Nut Relative to Spline Shaft Support Area (Max.) unit: μm

total length of spline shaft (mm)	greater than	or less	SSP4 SSP4AM		SSP5AM SSP6 SSP6AM		SSP8 SSP8AM		SSP10 SSP10AM		part number SSP13A SSP16A		SSP20A·20 SSP25A·25 SSP30A·30		SSP40A·40 SSP50A·50		SSP60A·60 SSP80 SSP80L		SSP100 SSP100L		
			high-grade	precision grade	high-grade	precision grade	high-grade	precision grade	high-grade	precision grade	high-grade	precision grade	high-grade	precision grade	high-grade	precision grade	high-grade	precision grade	high-grade	precision grade	high-grade
—	200	46	26	46	26	46	26	36	20	34	18	32	18	32	16	30	16	30	16	30	16
200	315	89	—	89	57	89	57	54	32	45	25	39	21	36	19	34	17	32	17	32	17
315	400	—	—	126	—	126	82	68	41	53	31	44	25	39	21	36	19	34	17	34	17
400	500	—	—	—	—	163	—	82	51	62	38	50	29	43	24	38	21	35	19	35	19
500	630	—	—	—	—	—	—	102	65	75	46	57	34	47	27	41	23	37	20	37	20
630	800	—	—	—	—	—	—	—	—	92	58	68	42	54	32	45	26	40	22	40	22
800	1,000	—	—	—	—	—	—	—	—	115	75	83	52	63	38	51	30	43	24	43	24
1,000	1,250	—	—	—	—	—	—	—	—	153	97	102	65	76	47	59	35	48	28	48	28
1,250	1,600	—	—	—	—	—	—	—	—	195*	127*	130	85	93	59	70	43	55	33	55	33
1,600	2,000	—	—	—	—	—	—	—	—	—	—	171	116	118	77	86	54	65	40	65	40

★ SSP13A, 16A maximum length: 1500mm  
 ★★ Please contact NB for shaft lengths exceeding 2000mm.

PRELOAD AND CLEARANCE IN ROTATIONAL DIRECTION

Both the clearance and preload are expressed in terms of clearance in the rotational direction. The preload is categorized into three different levels: standard, light (T1), and medium (T2). A preload cannot be specified with the commercial grade spline shaft.

Table B-6 Preload and Clearance in Rotational Direction unit: μm

part number	standard	light (T1)	medium (T2)
SSP 4·4AM	0~+3	-3~-0	-
SSP 5AM			
SSP 6·6AM			
SSP 8·8AM			
SSP 10·10AM	-3~+1	-8~-3	-13~-8
SSP 13A			
SSP 16A			
SSP 20A·20			
SSP 25A·25	-4~+2	-12~-4	-20~-12
SSP 30A·30			
SSP 40A·40			
SSP 50A·50			
SSP 60A·60	-6~+3	-18~-6	-30~-18
SSP 80			
SSP 80L			
SSP100			
SSP100L	-8~+4	-24~-8	-40~-24
SSP100L			

Table B-7 Preload and Operating Condition

preload	preload symbol	operating conditions
standard	blank	minute vibration is applied. a precise motion is required. a torque in a given direction is applied.
light	T1	slight vibration is applied. slight torsional load is applied. cyclic torque is applied.
medium	T2	shock/vibration is applied. over-hang load is applied. torsional load is applied.

\* Frictional resistance may be affected by preload.

STRENGTH OF SPLINE SHAFT

The ball spline has larger load ratings compared to ball bush. Also, the ball spline can sustain radial load, moment (bending moment) and torque (twisting moment) at the same time. Thus, it is necessary to consider the strength of ball spline shaft.

Using the following equations, select the size of ball spline.

$$\sigma \geq \frac{M}{Z} \dots\dots\dots (1)$$

σ: permissible bending stress of spline shaft (98N/mm<sup>2</sup>)  
 M: bending moment onto spline shaft (N·mm)  
 Z: modulus of section (mm<sup>3</sup>)  
 (refer to Table B-8 on page B-8)

Twisting Moment Only

$$\tau_a \geq \frac{T}{Z_p} \dots\dots\dots (2)$$

T<sub>a</sub>: permissible twisting stress of spline shaft (49N/mm<sup>2</sup>)  
 T: twisting moment onto spline shaft (N·mm)  
 Z<sub>p</sub>: polar modulus of section (mm<sup>3</sup>)  
 (refer to Table B-8 on page B-8)

Bending Moment and Twisting Moment Combined

Calculate equivalent bending moment (Me) by using equation (3). Then, substitute Me into equation (1) for shaft size selection.

$$M_e = \frac{1}{2} \{ M + \sqrt{M^2 + T^2} \} \dots\dots\dots (3)$$

M<sub>e</sub>: equivalent bending moment (N·mm)  
 M: bending moment onto spline shaft  
 T: twisting moment onto spline shaft

Rigidity of Spline Shaft

The rigidity of spline shaft is expressed in the torsional angle (θ) caused by twisting moment. For high accuracy smooth motion, it is necessary to keep the torsional angle within 0.25° per 1,000mm.

$$\theta = \frac{T \cdot L}{G \cdot I_p} \cdot \frac{360}{2\pi} \dots\dots\dots (4)$$

$$\text{Rigidity} = 0.25 \geq \frac{1,000}{L} \theta \dots\dots\dots (5)$$

θ: torsional angle (°)  
 T: twisting moment onto spline shaft (N·mm)  
 L: spline shaft length (mm)  
 G: shearing modulus (SUJ2) 7.9×10<sup>4</sup> (N/mm<sup>2</sup>)  
 (SUS) 7.69×10<sup>4</sup> (N/mm<sup>2</sup>)  
 I<sub>p</sub>: polar moment of inertia of area (mm<sup>4</sup>)  
 (refer to Table B-8 on page B-8)

Figure B-3 Bending Moment

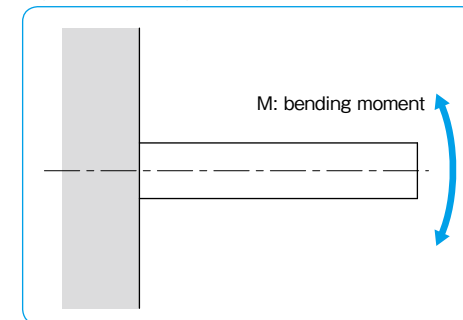


Figure B-4 Twisting Moment

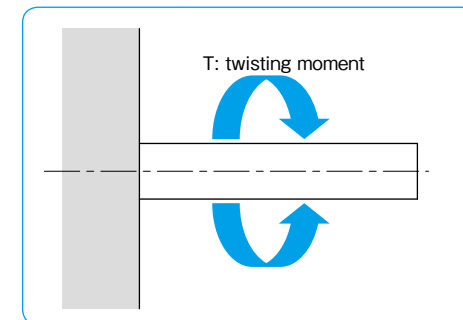


Figure B-5 Deformation of Spline Shaft by Twisting Moment

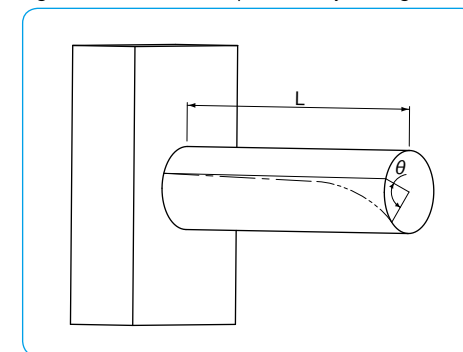


Table B-8 Cross-sectional Characteristics of Spline Shaft

part number	I moment of inertia of area mm <sup>4</sup>	Z modulus of section mm <sup>3</sup>	I <sub>p</sub> polar moment of inertia of area mm <sup>4</sup>	Z <sub>p</sub> polar modulus of section mm <sup>3</sup>	C=1/48EI	
					SUJ2 1/N·mm <sup>2</sup>	SUS440C
SSP 4	1.18×10	5.90	2.41×10	1.20×10	8.57×10 <sup>-9</sup>	8.83×10 <sup>-9</sup>
SSP 6	5.91×10	1.97×10	1.21×10 <sup>2</sup>	4.04×10	1.71×10 <sup>-9</sup>	1.76×10 <sup>-9</sup>
SSP 8	1.90×10 <sup>2</sup>	4.76×10	3.88×10 <sup>2</sup>	9.69×10	5.32×10 <sup>-10</sup>	5.47×10 <sup>-10</sup>
SSP 10	4.61×10 <sup>2</sup>	9.22×10	9.42×10 <sup>2</sup>	1.88×10 <sup>2</sup>	2.19×10 <sup>-10</sup>	2.26×10 <sup>-10</sup>
SSP 13A	1.32×10 <sup>3</sup>	2.03×10 <sup>2</sup>	2.70×10 <sup>3</sup>	4.16×10 <sup>2</sup>	7.66×10 <sup>-11</sup>	7.89×10 <sup>-11</sup>
SSP 16A	2.98×10 <sup>3</sup>	3.73×10 <sup>2</sup>	6.15×10 <sup>3</sup>	7.68×10 <sup>2</sup>	3.39×10 <sup>-11</sup>	3.49×10 <sup>-11</sup>
SSP 20A	7.35×10 <sup>3</sup>	7.35×10 <sup>2</sup>	1.51×10 <sup>4</sup>	1.51×10 <sup>3</sup>	1.38×10 <sup>-11</sup>	1.42×10 <sup>-11</sup>
SSP 25A	1.79×10 <sup>4</sup>	1.43×10 <sup>3</sup>	3.68×10 <sup>4</sup>	2.94×10 <sup>3</sup>	5.65×10 <sup>-12</sup>	5.82×10 <sup>-12</sup>
SSP 30A	3.63×10 <sup>4</sup>	2.42×10 <sup>3</sup>	7.57×10 <sup>4</sup>	5.05×10 <sup>3</sup>	2.79×10 <sup>-12</sup>	—
SSP 40A	1.15×10 <sup>5</sup>	5.73×10 <sup>3</sup>	2.39×10 <sup>5</sup>	1.20×10 <sup>4</sup>	8.83×10 <sup>-13</sup>	—
SSP 50A	2.81×10 <sup>5</sup>	1.12×10 <sup>4</sup>	5.86×10 <sup>5</sup>	2.34×10 <sup>4</sup>	3.60×10 <sup>-13</sup>	—
SSP 60A	5.91×10 <sup>5</sup>	1.97×10 <sup>4</sup>	1.22×10 <sup>6</sup>	4.08×10 <sup>4</sup>	1.71×10 <sup>-13</sup>	—
SSP 80	1.93×10 <sup>6</sup>	4.83×10 <sup>4</sup>	3.92×10 <sup>6</sup>	9.81×10 <sup>4</sup>	5.24×10 <sup>-14</sup>	—
SSP 80L						
SSP100	4.69×10 <sup>6</sup>	9.38×10 <sup>4</sup>	9.55×10 <sup>6</sup>	1.91×10 <sup>5</sup>	2.16×10 <sup>-14</sup>	—
SSP100L						
SSP 20	5.03×10 <sup>3</sup>	5.53×10 <sup>2</sup>	1.04×10 <sup>4</sup>	1.14×10 <sup>3</sup>	2.01×10 <sup>-11</sup>	2.07×10 <sup>-11</sup>
SSP 25	1.27×10 <sup>4</sup>	1.10×10 <sup>3</sup>	2.63×10 <sup>4</sup>	2.29×10 <sup>3</sup>	7.97×10 <sup>-12</sup>	8.21×10 <sup>-12</sup>
SSP 30	2.74×10 <sup>4</sup>	1.96×10 <sup>3</sup>	5.73×10 <sup>4</sup>	4.10×10 <sup>3</sup>	3.69×10 <sup>-12</sup>	—
SSP 40	8.71×10 <sup>4</sup>	4.66×10 <sup>3</sup>	1.82×10 <sup>5</sup>	9.75×10 <sup>3</sup>	1.16×10 <sup>-12</sup>	—
SSP 50	2.16×10 <sup>5</sup>	9.19×10 <sup>3</sup>	4.53×10 <sup>5</sup>	1.93×10 <sup>4</sup>	4.69×10 <sup>-13</sup>	—
SSP 60	4.50×10 <sup>5</sup>	1.59×10 <sup>4</sup>	9.46×10 <sup>5</sup>	3.35×10 <sup>4</sup>	2.25×10 <sup>-13</sup>	—
SSP 4AM	1.18×10	6.01	2.44×10	1.23×10	8.56×10 <sup>-9</sup>	8.82×10 <sup>-9</sup>
SSP 5AM	2.77×10	1.11×10	5.77×10	2.31×10	3.65×10 <sup>-9</sup>	3.76×10 <sup>-9</sup>
SSP 6AM	5.89×10 <sup>2</sup>	1.96×10	1.22×10 <sup>2</sup>	4.05×10	1.72×10 <sup>-9</sup>	1.77×10 <sup>-9</sup>
SSP 8AM	1.88×10 <sup>2</sup>	4.71×10	3.86×10 <sup>2</sup>	9.66×10	5.37×10 <sup>-10</sup>	5.53×10 <sup>-10</sup>
SSP 10AM	4.53×10 <sup>2</sup>	9.06×10	9.35×10 <sup>2</sup>	1.87×10 <sup>2</sup>	2.23×10 <sup>-10</sup>	2.30×10 <sup>-10</sup>

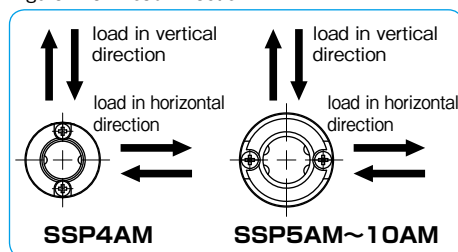
LOAD RATING

The load rating for SSP-AM type depends on the direction of load.

Table B-9 LOAD RATING

		SSP4AM	SSP5AM~10AM
basic dynamic load rating	vertical	C	C
	horizontal	1.73×C	1.22×C
basic static load rating	vertical	C <sub>0</sub>	C <sub>0</sub>
	horizontal	1.73×C <sub>0</sub>	1.22×C <sub>0</sub>

Figure B-6 Load Direction



CALCULATION OF DEFLECTION AND DEFLECTION ANGLE OF SPLINE SHAFT

The following formulas are used to obtain the deflection and its angle of the ball spline shaft. Typical conditions are listed in Table B-10.

Table B-10 Formulas for Calculating Deflection and Deflection Angle

support method	specification	formula for deflection	formula for deflection angle
1 support   support		$\delta_{max} = \frac{P\ell^3}{48EI} = P\ell^3C$	$i_1 = 0$ $i_2 = \frac{P\ell^2}{16EI} = 3P\ell^2C$
2 fixed   fixed		$\delta_{max} = \frac{P\ell^3}{192EI} = \frac{1}{4}P\ell^3C$	$i_1 = 0$ $i_2 = 0$
3 support   support		$\delta_{max} = \frac{5p\ell^4}{384EI} = \frac{5}{8}p\ell^4C$	$i_2 = \frac{p\ell^3}{24EI} = 2p\ell^3C$
4 fixed   fixed		$\delta_{max} = \frac{p\ell^4}{384EI} = \frac{1}{8}p\ell^4C$	$i_2 = 0$
5 support   support		$\delta_1 = \frac{Pa^3}{6EI} (2 + \frac{3b}{a}) = 8Pa^3 (2 + \frac{3b}{a})C$ $\delta_{max} = \frac{Pa^3}{24EI} (\frac{3\ell^2}{a^2} - 4) = 2Pa^3 (\frac{3\ell^2}{a^2} - 4)C$	$i_1 = \frac{Pab}{2EI} = 24PabC$ $i_2 = \frac{Pa(a+b)}{2EI} = 24Pa(a+b)C$
6 fixed   fixed		$\delta_1 = \frac{Pa^3}{6EI} (2 - \frac{3a}{\ell}) = 8Pa^3 (2 - \frac{3a}{\ell})C$ $\delta_{max} = \frac{Pa^3}{24EI} (2 + \frac{3b}{a}) = 2Pa^3 (2 + \frac{3b}{a})C$	$i_1 = \frac{Pa^2b}{2EI\ell} = \frac{24Pa^2bC}{\ell}$ $i_2 = 0$
7 fixed   free		$\delta_{max} = \frac{P\ell^3}{3EI} = 16P\ell^3C$	$i_1 = \frac{P\ell^2}{2EI} = 24P\ell^2C$ $i_2 = 0$
8 fixed   free		$\delta_{max} = \frac{p\ell^4}{8EI} = 6p\ell^4C$	$i_1 = \frac{p\ell^3}{6EI} = 8p\ell^3C$ $i_2 = 0$
9 support   support		$\delta_{max} = \frac{\sqrt{3}Mo\ell^2}{216EI} = \frac{2\sqrt{3}}{9}Mo\ell^2C$	$i_1 = \frac{Mo\ell}{12EI} = 4Mo\ell C$ $i_2 = \frac{Mo\ell}{24EI} = 2Mo\ell C$
10 fixed   fixed		$\delta_{max} = \frac{Mo\ell^2}{216EI} = \frac{2}{9}Mo\ell^2C$	$i_1 = \frac{Mo\ell}{16EI} = 3Mo\ell C$ $i_2 = 0$

$\delta_1$ : deflection at the concentrated load point (mm)  $\delta_{max}$ : maximum deflection (mm)  $i_1$ : deflection angle at the concentrated load point (rad)  $i_2$ : deflection angle at the support point (rad)  $Mo$ : moment (N·mm)  $P$ : concentrated load (N)  $p$ : uniformly distributed load (N/mm)  $a, b$ : concentrated load point distance (mm)  $\ell$ : span (mm)  $I$ : moment of inertia of area (mm<sup>4</sup>) (refer to Table B-8 on page B-8)  $E$ : modulus of longitudinal elasticity (SUJ2)  $2.06 \times 10^5$  (N/mm<sup>2</sup>) (SUS)  $2.0 \times 10^5$  (N/mm<sup>2</sup>)  $C$ :  $1/48EI$  (1/N·mm<sup>2</sup>)

## ALLOWABLE ROTATIONAL SPEED OF SPLINE SHAFT

When the rotational speed is increased and approaches the spline shaft resonant frequency, the spline shaft is disabled from further operation. This speed is called the critical speed and can be obtained by the following equations. In order to leave a sufficient safety margin, the allowable operating speed should be set at about 80% of the calculated value.

Using the following equations, select the size of ball spline shaft. First, calculate  $\lambda$  and A by equation (8) and (9) then, substitute the values into equation (7).

$$N_c = 60 \cdot \frac{\lambda^2}{2\pi \cdot L^2} \cdot \sqrt{\frac{E \cdot I_d \times 10^3}{\gamma \cdot A}} \dots\dots\dots (7)$$

$N_c$ : critical speed (rpm)  
 $L$ : support distance (mm)  
 $E$ : modulus of longitudinal elasticity (SUJ2)  $2.06 \times 10^5$  (N/mm<sup>2</sup>)  
 (SUS)  $2.0 \times 10^5$  (N/mm<sup>2</sup>)  
 $\gamma$ : density (SUJ2)  $7.85 \times 10^{-6}$  (kg/mm<sup>3</sup>)  
 (SUS)  $7.75 \times 10^{-6}$  (kg/mm<sup>3</sup>)

$I_d$ : Minimum Moment of Inertia of Area (mm<sup>4</sup>)

$$I_d = \frac{\pi \cdot d^4}{64} \dots\dots\dots (8)$$

$d$ : maximum machined-down diameter with no spline grooves left (refer to Table B-11)

A: Minimum Cross-sectional Area of the Spline Shaft (mm<sup>2</sup>)

$$A = \frac{\pi \cdot d^2}{4} \dots\dots\dots (9)$$

$d$ : maximum machined-down diameter with no spline grooves left (refer to Table B-11)

$\lambda$ : coefficient of mounting method (refer to Figure B-7)

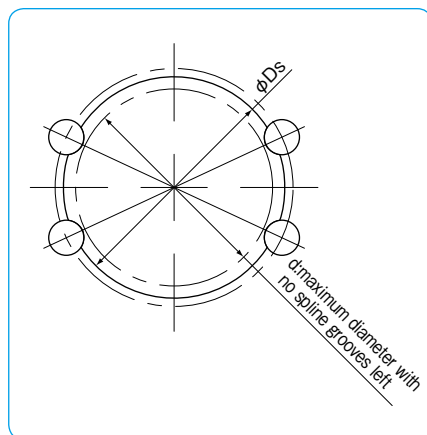
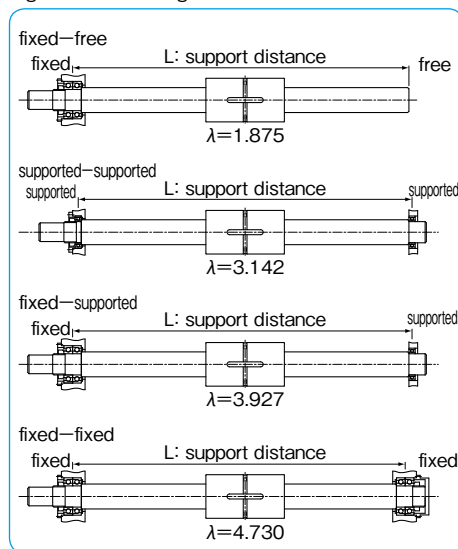
- fixed-free  $\lambda = 1.875$
- supported-supported  $\lambda = 3.142$
- fixed-supported  $\lambda = 3.927$
- fixed-fixed  $\lambda = 4.730$

Table B-11 Spline Shaft Profile

part number	d: maximum diameter with no spline grooves left mm	part number	d: maximum diameter with no spline grooves left mm
SSP 4	3.5	SSP20	16.4
SSP 6	5.3	SSP25	20.6
SSP 8	7.2	SSP30	24.8
SSP 10	9	SSP40	33.1
SSP 13A	11.7	SSP50	41.4
SSP 16A	14.2	SSP60	49.7
SSP 20A	17.9		
SSP 25A	22.4	SSP 4AM	3.4
SSP 30A	26.8	SSP 5AM	4.3
SSP 40A	35.5	SSP 6AM	5.2
SSP 50A	44.6	SSP 8AM	7.1
SSP 60A	54	SSP10AM	8.8
SSP 80			
SSP 80L	73.9		
SSP100			
SSP100L	92		

The maximum diameter (d) is recommended as the shaft diameter of the support area leaving no spline grooves after end-machining.

Figure B-7 Mounting Method



## RATED LIFE CALCULATION

When the ball elements are used as the rolling elements in ball splines, the following equations are used to calculate the life of ball spline:

For radial load

$$L = \left( \frac{f_c \cdot C}{f_w \cdot P} \right)^3 \cdot 50$$

For torque load

$$L = \left( \frac{f_c \cdot C_T}{f_w \cdot T} \right)^3 \cdot 50$$

$L$ : rated life (km)  $f_c$ : contact coefficient  $f_w$ : load coefficient  
 $C$ : basic dynamic load rating (N)  $P$ : applied load (N)  
 $C_T$ : basic dynamic torque rating (N·m)  $T$ : applied torque (N·m)  
 \* Refer to page Eng-5 for the coefficients  
 \*\* The load rating of the commercial spline is approximately 70% of the standard ball spline.

$$L_h = \frac{L \cdot 10^3}{2 \cdot \ell_s \cdot n_1 \cdot 60}$$

$L_h$ : life time (hr)  $\ell_s$ : stroke length (m)  
 $L$ : rated life (km)  $n_1$ : number of cycles per minute (cpm)

## OPERATING CONDITIONS

The performance of the ball spline is affected by the operating conditions of the application. The operating conditions should, therefore be carefully taken into consideration.

### Dust Prevention

Foreign particles or dust in the ball spline nut affects the motion accuracy and shortens the life time. Standard seals will perform well against dust prevention under normal operating conditions; however, in a harsh environment, it is necessary to attach bellows or protective covers. (refer to Figure B-9)

### Operating Temperature

Since the retainer is made of resin, the operating temperature should never exceed 80°C.

Figure B-8 Radial Load and Torque Load

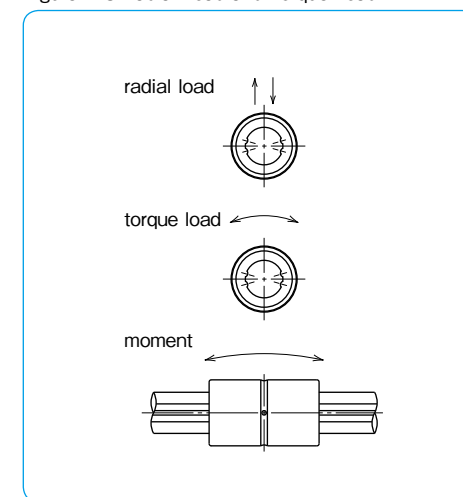
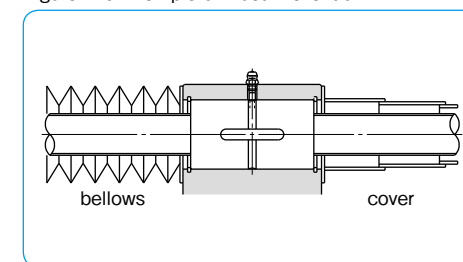


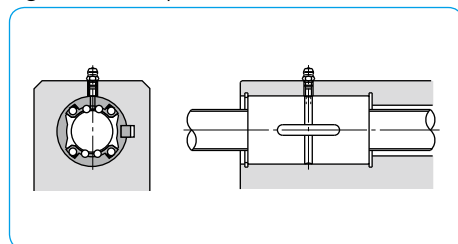
Figure B-9 Example of Dust Prevention



## LUBRICATION

The spline nut is prelubricated with lithium soap based grease prior to shipment for immediate use. Please relubricate with a similar type of grease periodically depending on the operating conditions. Low dust generation grease is available from NB standard grease. (refer to page Eng-39)  
The NB spline nut has seals as standard. The seals work well to contain the grease inside the nut especially for the ground shaft, since the seal shape approximates the spline shaft profile.

Figure B-10 Example of Lubrication Mechanism



## HOLLOW SPLINE SHAFT

NB provides hollow shafts. It can be used for running cable, air piping, and weight reduction. Table B-12 shows a list of recommended inner diameter for hollow spline shaft (SUJ2).

Table B-12 Recommended Inner Diameter for Hollow Spline Shaft

part number	shaft diameter Ds mm	inner diameter d mm	cross-sectional coefficient Z mm <sup>3</sup>	second moment of inertia I mm <sup>4</sup>
SSP 4	4	1.5	11.5	5.6
SSP 6	6	2	58.3	18.9
SSP 8	8	3	186	44.9
SSP10	10	4	448	85.9
SSP13A	13	6	1,260	182
SSP16A	16	8	2,780	323
SSP20A	20	10	6,860	637
SSP25A	25	15	15,400	1,100
SSP 4AM	4	1.5	11.6	5.7
SSP 5AM	5	2	26.9	10.3
SSP 6AM	6	2	58.1	18.8
SSP 8AM	8	3	184	44.4
SSP10AM	10	4	440	84.2

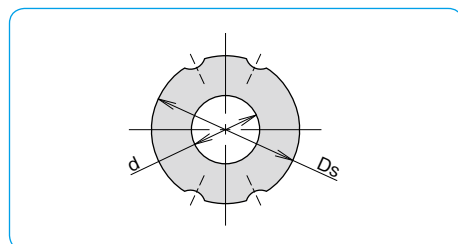
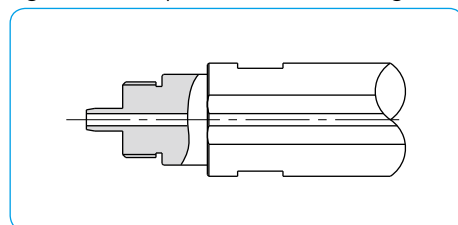


Figure B-11 Example of Shaft-end Machining



## USE AND HANDLING PRECAUTIONS

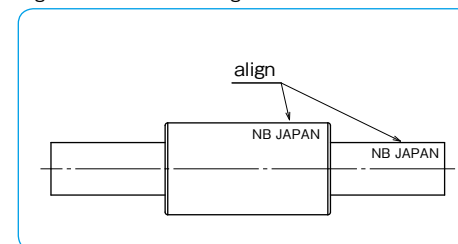
NB ball spline must be handled with care as it is a precise component. Please note the following points.

### A Set of Spline Nut and Spline Shaft

The ball spline's accuracy and preload is guaranteed when spline nut and shaft are aligned as shown in Figure B-12. Please make sure to align the NB marks when reinserting the shaft.

When inserting the spline shaft into the spline nut, ensure that the ball elements do not drop out. This is done by aligning the raceway grooves of the shaft with the rows of ball elements and the seal lip of the nut. Then, carefully insert the spline shaft through the spline nut. In case that the nut is preloaded, please exercise additional care.

Figure B-12 NB mark Alignment



### Fit between Spline Nut and Housing

A transition fit is used for the SSP/SSPM-type spline nut and its housing bore to minimize the clearance. If high accuracy is not required, then a clearance fit can be used. Regarding the SSPT/SSPF type spline nut, for a light load and little torque application a hole slightly larger than the outer diameter of the nut can suffice. The mounting surface for the flange influences the perpendicularity and parallelism. Please make sure that the accuracy of the mounting surface is correct.

Table B-13 Fit for the Spline Nut

type of spline nut	clearance fit	transition fit
SSP	H7	J6
SSP-AM		
SSPM		

### Insertion of Spline Nut

When inserting a spline nut into the housing, use a jig like the one shown in Figure B-13. Carefully insert the nut so as to not hit the side ring and seal.

Figure B-13 Insertion of Spline Nut into Housing

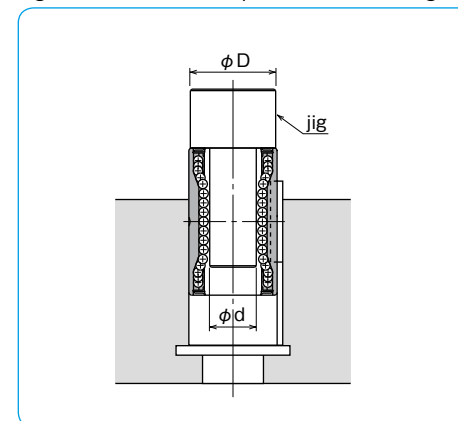


Table B-14 Recommended Jig Dimensions unit: mm

part number	D	d	part number	D	d
SSP 4	9.5	3.5	SSP20	31.5	16.5
SSP 6	13.5	5	SSP25	36.5	20.5
SSP 8	15.5	7	SSP30	44.5	25
SSP 10	20.5	8.5	SSP40	59.5	33
SSP 13A	23.5	12	SSP50	74	41
SSP 16A	30.5	14.5	SSP60	89	50
SSP 20A	34.5	18			
SSP 25A	41.5	22.5	SSP 4AM	7.5	3
SSP 30A	46.5	27	SSP 5AM	9.5	4
SSP 40A	63.5	35.6	SSP 6AM	11.5	5
SSP 50A	79	44	SSP 8AM	14.5	7
SSP 60A	89	53.5	SSP10AM	18.5	8.5
SSP 80					
SSP 80L	119	74			
SSP100					
SSP100L	149	92			

### Excessive Moment

One spline nut can sustain high moments, however, excessive moment makes the spline nut unbalanced and unstable during motion. Please use more than one spline nut for high moment or high accuracy applications.

**MOUNTING**

**Mounting of SSP Type**

Examples of installing the SSP type are shown in Figures B-14 and B-15.

Figure B-14 Using a Retaining Ring

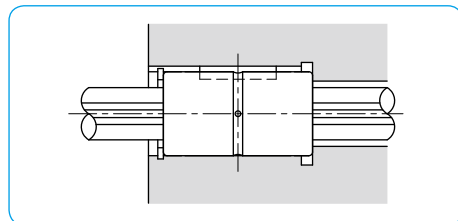
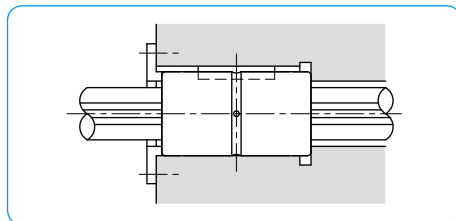


Figure B-15 Using a Push Plate



**Key**

The SSP type spline nut comes with a key shown in Figure B-16.

Figure B-16 Key for SSP Type

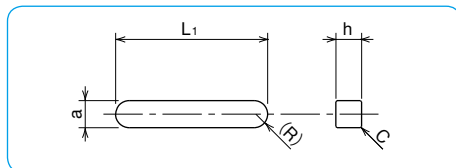


Table B-15 Major Dimensions of Key

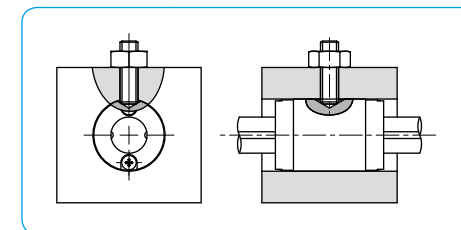
part number	a		h		L <sub>1</sub>	C
	mm	tolerance μm	mm	tolerance μm		
SSP 4	2	+16 + 6	2	0 -25	6	0.2
SSP 6	2.5		2.5			
SSP 8	2.5		2.5			
SSP 10	3		3			
SSP 13A	3	+24 +12	3	0 -30	15	0.5
SSP 16A	3.5		3.5			
SSP 20A	4		4			
SSP 25A	4		4			
SSP 30A	4	+30/+15	4	0 -36	42	0.5
SSP 40A	6		6			
SSP 50A	8		7			
SSP 60A	12		8			
SSP 80	16	+36 +18	10	0 -36	67	0.8
SSP 80L					76	
SSP100					110	
SSP100L	20	+43 +22	13	0 -43	110	0.8
SSP100L	160					
SSP 20	4	+24	4	0	26	0.2
SSP 25	5	+12	5	-30	33	0.3
SSP 30	7	+30	7	0	41	0.3
SSP 40	10	+15	8	-36	55	0.5
SSP 50	15	+36	10	0/-43	60	0.5
SSP 60	18	+18	11		68	0.5
SSP 5AM	2	+16 + 6	2	0 -25	6	0.2
SSP 6AM	2		2			
SSP 8AM	2.5		2.5			
SSP 10AM	3		3			

For SSPs and SSP AM type, the material of key is stainless steel.

**Mounting of SSP4AM Type**

Example of installing the SSPM type are shown in Figure B-17.

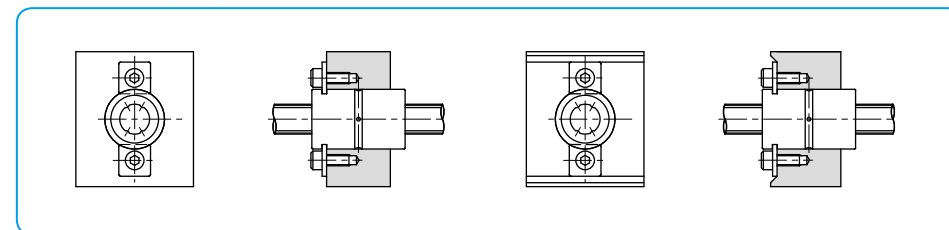
Figure B-17 Using SSP4AM Lock Plates



**Mounting of SSPM Type**

Examples of installing the SSPM type are shown in Figures B-18,19,22 and 23.

Figure B-18 Using F Type Lock Plates



**F Type Lock Plate (Standard Plate)**

The lock plate shown in Figure B-19 is provided with the SSPM spline nut.  
Material: SUS304CSP

Table B-16 F Type Lock Plate

part number	K mm	G mm	t mm	R mm	applicable spline nut
FP 6	6.8	2.9	1.0	0.5	SSPM 6
FP 8	8.5	3.5	1.2	0.5	SSPM 8
FP10	8.5	3.5	1.2	0.5	SSPM10

Figure B-19 F Type Lock Plate

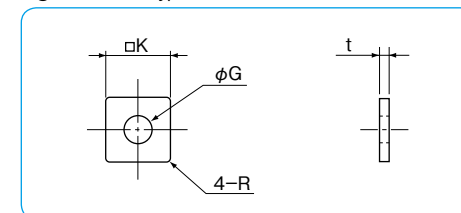
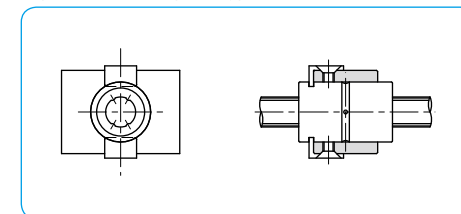


Figure B-20 Using LP Type Lock Plates



**LP Type Lock Plate (Optional Plate)**

The LP type lock plate is also available for purchase with the SSPM spline nut.

**Material: SUS304CSP**

Figure B-21 LP Type Lock Plate

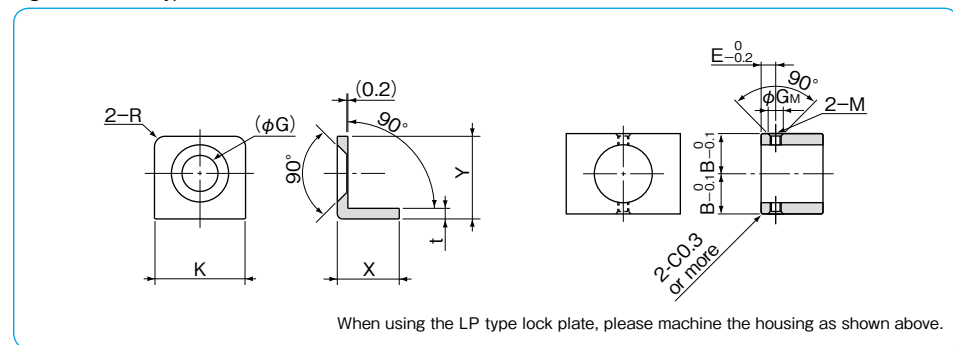


Table B-17 LP Type Lock Plate

part number	lock plate major dimensions						machined housing dimensions				applicable spline nut
	K mm	G mm	t mm	R mm	X mm	Y mm	B mm	E mm	G <sub>M</sub> mm	M	
LP 6	8.6	3.8	1.0	1	5.85	7.8	11.1	3.3	3.5	M2.5	SSPM 6
LP 8	9.15	4.5	1.2	1	6.45	9.2	12.3	4.0	4.2	M3	SSPM 8
LP10	9.15	4.5	1.2	1	6.45	9.2	14.8	4.0	4.2	M3	SSPM10

Figure B-23 Using Special Lock Plates (2)

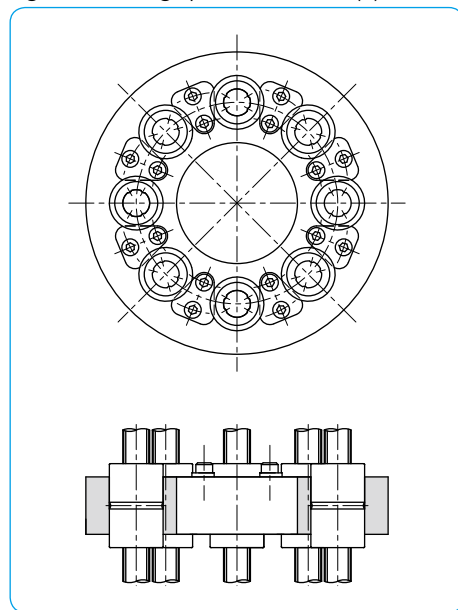
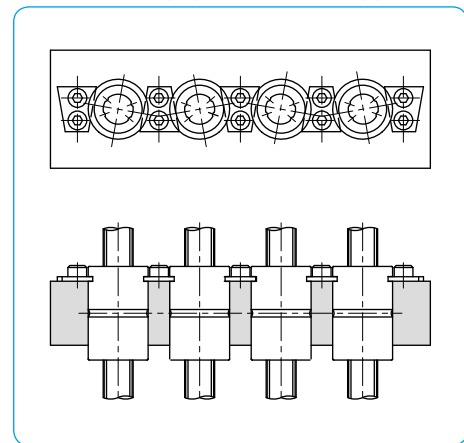


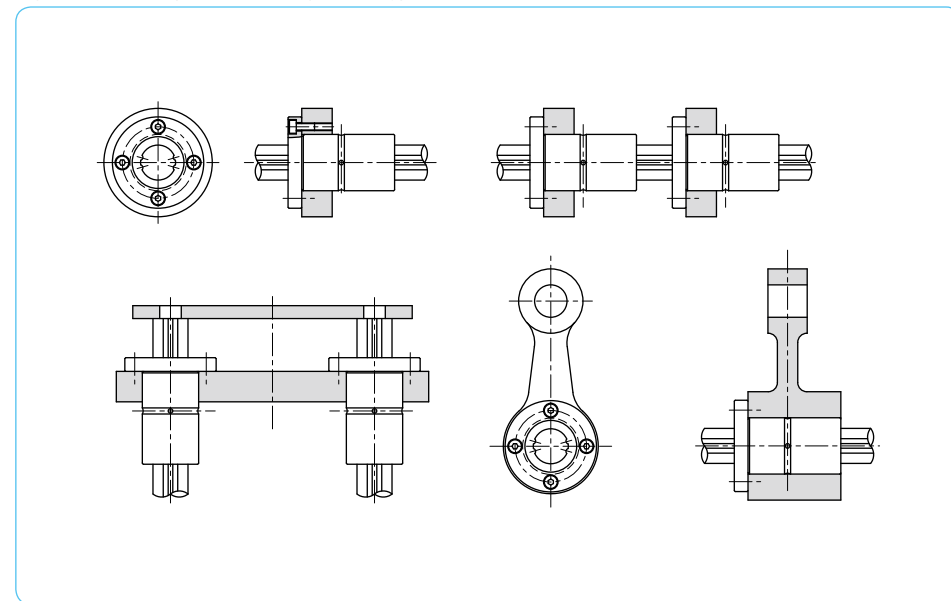
Figure B-22 Using Special Lock Plates (1)



**Mounting of SSPF Type**

Examples of installing the SSPF type are shown in Figure B-24.

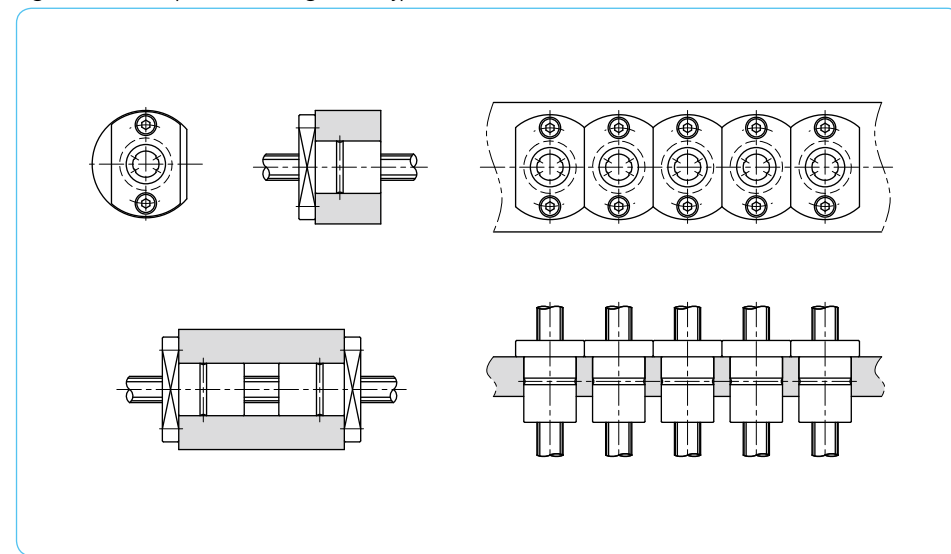
Figure B-24 Examples of installing SSPF Type



**Mounting of SSPT Type**

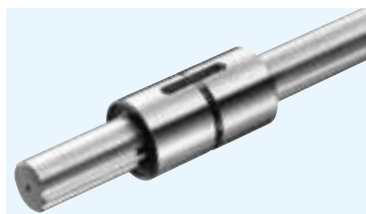
Examples of installing SSPT type are shown in Figure B-25.

Figure B-25 Examples of installing SSPT Type



# SSP TYPE

– Cylindrical Spline Nut –



## part number structure

example **SSP 80 L-2-T1-600-P/CU**

specification  
SSP: standard  
SSPS: anti-corrosion

nominal diameter

nut length  
blank: standard  
L: long

number of nuts attached to one shaft

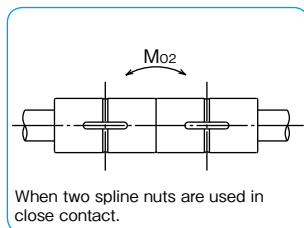
Note: retainer material is resin.

with special specification

accuracy grade  
blank: high  
P: precision

spline shaft total length

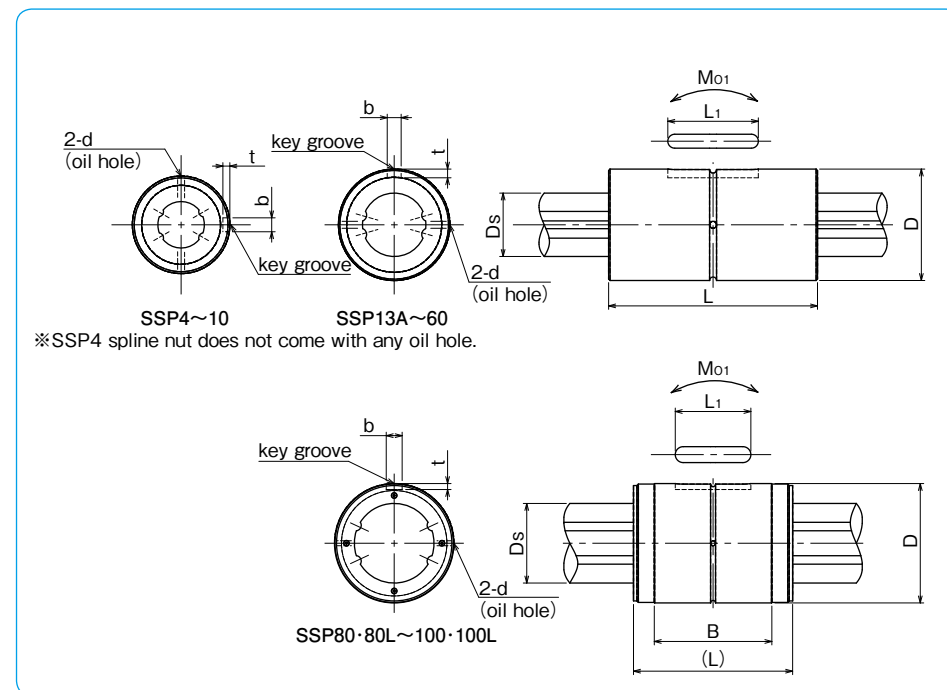
preload symbol  
blank: standard  
T1: light  
T2: medium



When two spline nuts are used in close contact.

part number		D mm	tolerance $\mu\text{m}$	L mm	tolerance mm	B mm	major dimensions				
standard	anti-corrosion						b mm	tolerance $\mu\text{m}$	t mm	L <sub>1</sub> mm	d mm
SSP 4	SSPS 4	10	0/-9	16	-0.2	-	2	1.2	6	-	
SSP 6	SSPS 6	14	0	25			2.5	+14	1.2	10.5	1
SSP 8	SSPS 8	16	-11	25			2.5	0	1.2	10.5	1.5
SSP 10	SSPS10	21	0	33			3	0	1.5	13	1.5
SSP 13A	SSPS13A	24	-13	36			3	0	1.5	15	1.5
SSP 16A	SSPS16A	31	0	50			3.5	0	2	17.5	2
SSP 20A	SSPS20A	35	0	63			4	0	2.5	29	2
SSP 25A	SSPS25A	42	-16	71			4	0	2.5	36	3
SSP 30A	—	47	0	80			4	0	2.5	42	3
SSP 40A	—	64	0	100			6	0	3.5	52	4
SSP 50A	—	80	-19	125	8	-0.3	+22/0	4	58	4	
SSP 60A	—	90	0	140	12	0	5	67	4		
SSP 80	—	120	-22	160	-	118.2	0	6	76	5	
SSP 80L	—	120	0	217		175.2			110		
SSP100	—	150	0	185		132.6			110		
SSP100L	—	150	-25	248	195.6	20	+33	7	160	5	
SSP 20	SSPS20	32	0	60	0/-0.2	-	4	+18	2.5	26	2
SSP 25	SSPS25	37	-16	70	0		5	0	3	33	3
SSP 30	—	45	0	80	0		7	+22	4	41	3
SSP 40	—	60	0	100	-0.3		10	0	4.5	55	4
SSP 50	—	75	-19	112	0		15	+27	5	60	4
SSP 60	—	90	0/-22	127	0		18	0	6	68	4

SSP type spline nut comes with a key (refer to page B-14).

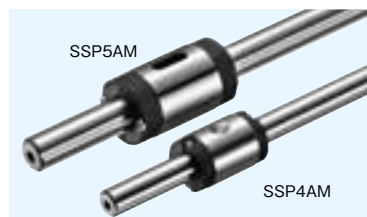


D <sub>s</sub> mm	tolerance $\mu\text{m}$	basic torque rating		basic load rating		allowable static moment		mass		size
		dynamic C <sub>T</sub> N·m	static C <sub>0T</sub> N·m	dynamic C kN	static C <sub>0</sub> kN	M <sub>01</sub> N·m	M <sub>02</sub> N·m	nut kg	shaft kg/m	
4	0	0.74	1.05	0.86	1.22	1.97	10.3	0.0065	0.10	4
6	-12	1.5	2.4	1.22	2.28	5.1	40	0.019	0.21	6
8	0	2.1	3.7	1.45	2.87	7.4	50	0.023	0.38	8
10	-15	4.4	8.2	2.73	5.07	18.0	116	0.054	0.60	10
13	0	21	39.2	2.67	4.89	13.7	109	0.07	1.0	13A
16	-18	60	110	6.12	11.2	46	299	0.15	1.5	16A
20	0	105	194	8.9	16.3	110	560	0.22	2.4	20A
25	-21	189	346	12.8	23.4	171	1,020	0.33	3.7	25A
30	0	307	439	18.6	23.2	181	1,470	0.36	5.38	30A
40	0	674	934	30.8	37.5	358	2,940	0.95	9.55	40A
50	-25	1,290	2,950	40.3	64.9	690	4,080	1.9	15.0	50A
60	0	1,570	2,620	47.7	79.5	881	5,470	2.3	21.6	60A
80	-30	3,860	6,230	83.1	134	2,000	11,100	5.1	39	80
		5,120	9,340	110	201	4,410	21,100	7.6		80L
100	-35	6,750	11,500	135	199	3,360	19,300	9.7	61	100
		8,960	17,300	179	298	7,340	37,700	13.9		100L
18.2	0	83	133	7.84	11.3	63	500	0.2	2.0	20
23	-21	162	239	12.3	16.1	104	830	0.22	3.1	25
28		289	412	18.6	23.2	181	1,470	0.35	4.8	30
37.4	0	637	882	30.8	37.5	358	2,940	0.81	8.6	40
47	-25	1,390	3,180	46.1	74.2	696	4,400	1.5	13.1	50
56.5		0/-30	2,100	4,800	58.0	127	1,300	8,800	2.5	19

1kN ≅ 102kgf    1N·m ≅ 0.102kgf·m



# SSP-AM TYPE

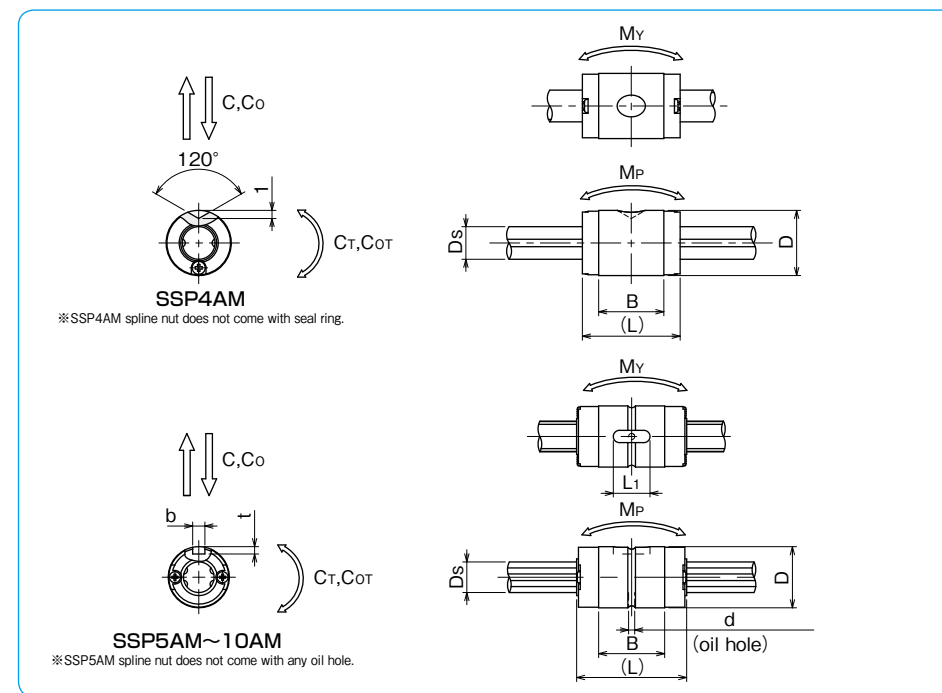
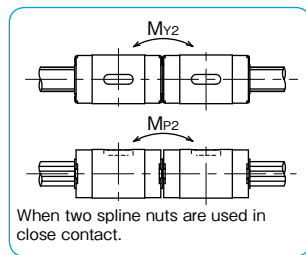


## part number structure

example **SSP 4 AM-2 T1 -200 -P /CU**

- SSP AM: standard
- SSPS AM: anti-corrosion
- nominal diameter
- number of nuts attached to one shaft
- with special specification
- accuracy grade blank: high P: precision
- spline shaft total length
- preload symbol blank: standard T1: light

Note: SSP(S)4AM does not come with side-seals. Material of return cap is resin.



part number		major dimensions										
standard	anti-corrosion	D tolerance	L	B	b tolerance	t +0.05/0	L1	d	Ds h7 tolerance			
		mm	mm	mm	mm	mm	mm	mm	mm	mm	mm	
SSP 4AM	SSPS 4AM	8	12	8	-	-	-	-	4			
SSP 5AM	SSPS 5AM	10	18	10.8	2	1.2	6	-	5	0	-12	
SSP 6AM	SSPS 6AM	12	21	13	2	1.2	8	1	6			
SSP 8AM	SSPS 8AM	15	25	14.9	2.5	1.5	8.5	1.2	8	0		
SSP10AM	SSPS10AM	19	30	18	3	1.8	11	1.5	10	-15		

SSP (S) 5AM-10AM type spline nut come with a key (refer to page B-14).

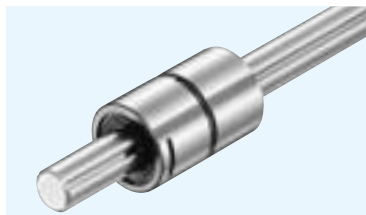
basic torque rating		basic load rating		allowable static moment		mass		size
dynamic C <sub>T</sub>	static C <sub>0T</sub>	dynamic C	static C <sub>0</sub>	M <sub>P</sub>	M <sub>Y</sub>	nut	shaft	
N · m	N · m	N	N	M <sub>P2</sub>	M <sub>Y2</sub>	g	g/100mm	
0.72	1.00	314	438	0.59	1.03	2.5	9.7	<b>4AM</b>
2.33	4.05	825	1,160	2.10	2.56	5.1	14.9	<b>5AM</b>
2.95	5.27	890	1,290	2.55	3.11	9.2	21.6	<b>6AM</b>
5.85	9.83	1,330	1,810	4.11	5.00	15.8	38.4	<b>8AM</b>
12.4	19.4	2,270	2,870	7.84	9.53	30.7	59.8	<b>10AM</b>

Allowable static moment M<sub>P2</sub> and M<sub>Y2</sub> are the values when two spline nuts are used on close contact.

1kN≒102kgf 1N · m≒0.102kgf · m

# SSPM TYPE

— Keyless Spline Nut —



## part number structure

example **SSPM 10-2-T1-200-P/CU**

SSPM type

nominal diameter

number of nuts attached to one shaft

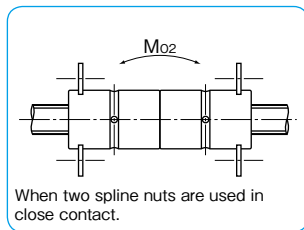
Note: retainer material is resin.

spline shaft total length

with special specification

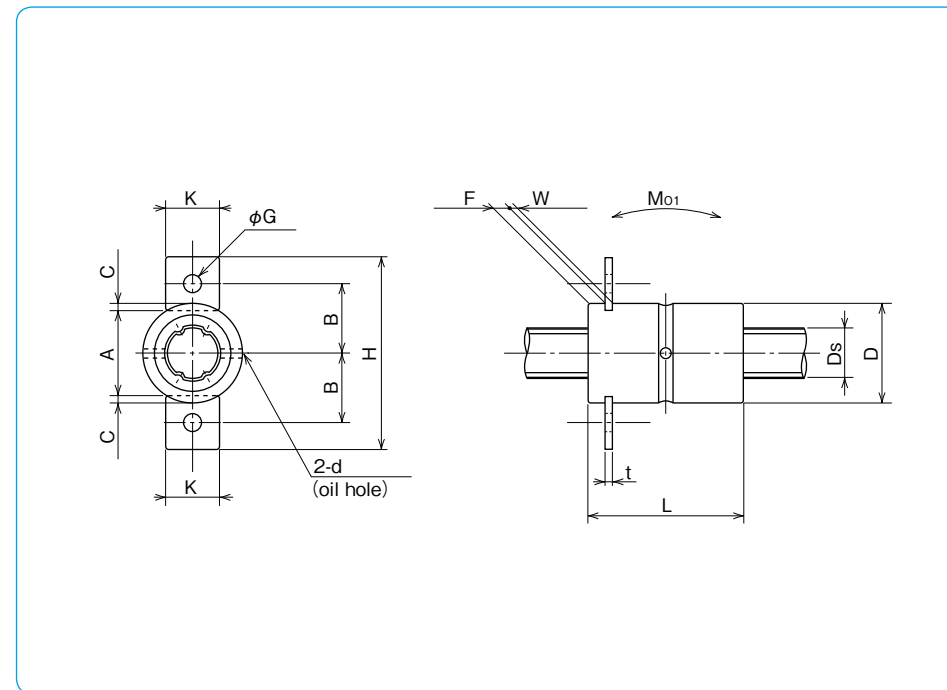
accuracy grade  
blank: high  
P: precision

preload symbol  
blank: standard  
T1: light



part number	major dimensions											
	D mm	D tolerance μm	L mm	L tolerance mm	F mm	W mm	C mm	A mm	d mm	B mm	H mm	K mm
<b>SSPM 6</b>	14	0	25	0	2.2	1.1	1.0	12.0	1	9.4	25.6	6.8
<b>SSPM 8</b>	16	-11	25	-0.2	2.7	1.3	1.2	13.6	1.5	11	30.6	8.5
<b>SSPM10</b>	21	0/-13	33	-0.2	2.7	1.3	1.2	18.6	1.5	13.5	35.6	8.5

Two F type lock plates per SSPM type spline nut are provided (refer to page B-15).



G mm	t mm	Ds mm	Ds tolerance μm	basic torque rating		basic load rating		allowable static moment		mass		size
				dynamic C <sub>T</sub> N·m	static C <sub>0T</sub> N·m	dynamic C kN	static C <sub>0</sub> kN	static moment M <sub>01</sub> N·m	static moment M <sub>02</sub> N·m	nut kg	shaft kg/m	
2.9	1.0	6	0/-12	1.5	2.4	1.22	2.28	5.1	40	0.019	0.21	<b>6</b>
3.5	1.2	8	0	2.1	3.7	1.45	2.87	7.4	50	0.023	0.38	<b>8</b>
3.5	1.2	10	-15	4.4	8.2	2.73	5.07	18.0	116	0.054	0.60	<b>10</b>

1kN≒102kgf 1N·m≒0.102kgf·m

# SSPF TYPE

— Flange Type Nut —



## part number structure

example **SSPF 25 - 2 - T1 - 436 - P / CU**

specification  
**SSPF**: standard  
**SSPFS**: anti-corrosion

nominal diameter

number of nuts attached to one shaft

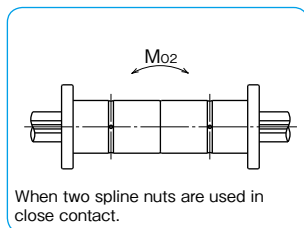
Note: retainer material is resin.

with special specification

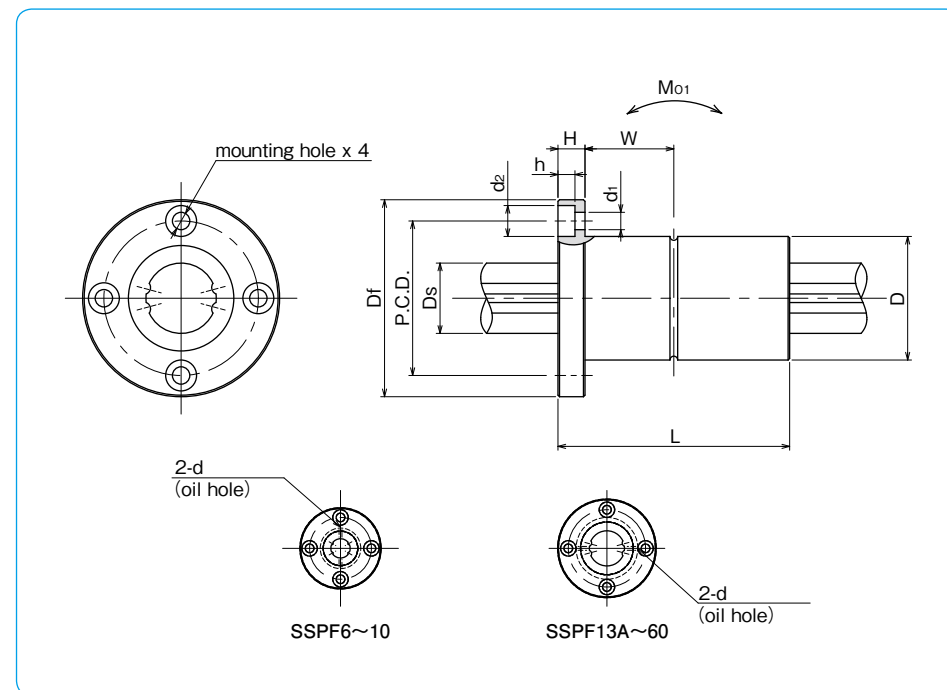
accuracy grade  
**blank**: high  
**P**: precision

spline shaft total length

preload symbol  
**blank**: standard  
**T1**: light  
**T2**: medium



When two spline nuts are used in close contact.



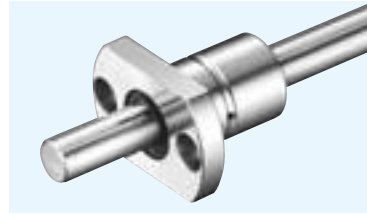
part number		D		L		major dimensions				
standard	anti-corrosion	mm	tolerance $\mu\text{m}$	mm	tolerance mm	Df mm	H mm	P.C.D. mm	$d_1 \times d_2 \times h$ mm	W mm
<b>SSPF 6</b>	<b>SSPFS 6</b>	14	0	25		30	5	22	3.4×6.5×3.3	7.5
<b>SSPF 8</b>	<b>SSPFS 8</b>	16	-11	25		32	5	24	3.4×6.5×3.3	7.5
<b>SSPF10</b>	<b>SSPFS10</b>	21	0	33	0	42	6	32	4.5×8×4.4	10.5
<b>SSPF13A</b>	<b>SSPFS13A</b>	24	-13	36	-0.2	43	7	33	4.5×8×4.4	11
<b>SSPF16A</b>	<b>SSPFS16A</b>	31		50		50	7	40	4.5×8×4.4	18
<b>SSPF20A</b>	<b>SSPFS20A</b>	35	0	63		58	9	45	5.5×9.5×5.4	22.5
<b>SSPF25A</b>	<b>SSPFS25A</b>	42	-16	71		65	9	52	5.5×9.5×5.4	26.5
<b>SSPF30A</b>	—	47		80		75	10	60	6.6×11×6.5	30
<b>SSPF40A</b>	—	64	0	100	0	100	14	82	9×14×8.6	36
<b>SSPF50A</b>	—	80	-19	125	-0.3	124	16	102	11×17.5×11	46.5
<b>SSPF60A</b>	—	90	0/-22	140		129	18	107	11×17.5×11	52
<b>SSPF20</b>	<b>SSPFS20</b>	32		60	0/-0.2	51	7	40	4.5×8×4.4	23
<b>SSPF25</b>	<b>SSPFS25</b>	37	0	70		60	9	47	5.5×9.5×5.4	26
<b>SSPF30</b>	—	45	-16	80		70	10	54	6.6×11×6.5	30
<b>SSPF40</b>	—	60	0	100	0	90	14	72	9×14×8.6	36
<b>SSPF50</b>	—	75	-19	112	-0.3	113	16	91	11×17.5×11	40
<b>SSPF60</b>	—	90	0/-22	127		129	18	107	11×17.5×11	45.5

d	Ds	tolerance $\mu\text{m}$	basic torque rating		basic load rating		allowable static moment		mass		size
			dynamic $C_T$ N·m	static $C_{0T}$ N·m	dynamic C kN	static $C_0$ kN	$M_{O1}$ N·m	$M_{O2}$ N·m	nut kg	shaft kg/m	
1	6	0/-12	1.5	2.4	1.22	2.28	5.1	40	0.037	0.21	<b>6</b>
1.5	8	0	2.1	3.7	1.45	2.87	7.4	50	0.042	0.38	<b>8</b>
1.5	10	-15	4.4	8.2	2.73	5.07	18.0	116	0.094	0.6	<b>10</b>
1.5	13	0	21	39.2	2.67	4.89	13.7	109	0.1	1	<b>13A</b>
2	16	-18	60	110	6.12	11.2	46	299	0.2	1.5	<b>16A</b>
2	20		105	194	8.9	16.3	110	560	0.33	2.4	<b>20A</b>
3	25	0	189	346	12.8	23.4	171	1,020	0.45	3.7	<b>25A</b>
3	30	-21	307	439	18.6	23.2	181	1,470	0.55	5.38	<b>30A</b>
4	40	0	674	934	30.8	37.5	358	2,940	1.41	9.55	<b>40A</b>
4	50	-25	1,290	2,950	40.3	64.9	690	4,080	2.73	15.0	<b>50A</b>
4	60	0/-30	1,570	2,620	47.7	79.5	881	5,470	3.2	21.6	<b>60A</b>
2	18.2		83	133	7.84	11.3	63	500	0.22	2	<b>20</b>
3	23	0	162	239	12.3	16.1	104	830	0.32	3.1	<b>25</b>
3	28	-21	289	412	18.6	23.2	181	1,470	0.51	4.8	<b>30</b>
4	37.4	0	637	882	30.8	37.5	358	2,940	1.15	8.6	<b>40</b>
4	47	-25	1,390	3,180	46.1	74.2	696	4,400	2.1	13.1	<b>50</b>
4	56.5	0/-30	2,100	4,800	58.0	127	1,300	8,800	3.3	19	<b>60</b>

1kN=102kgf 1N·m=0.102kgf·m

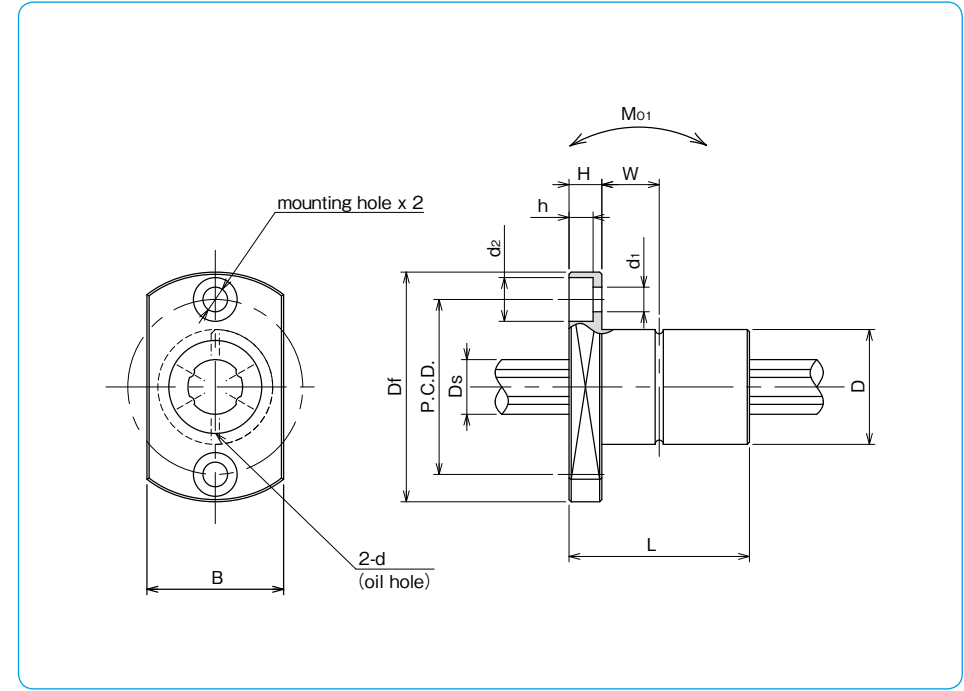
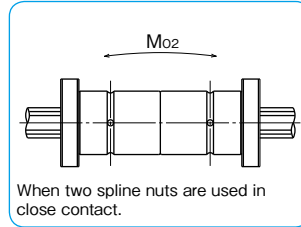
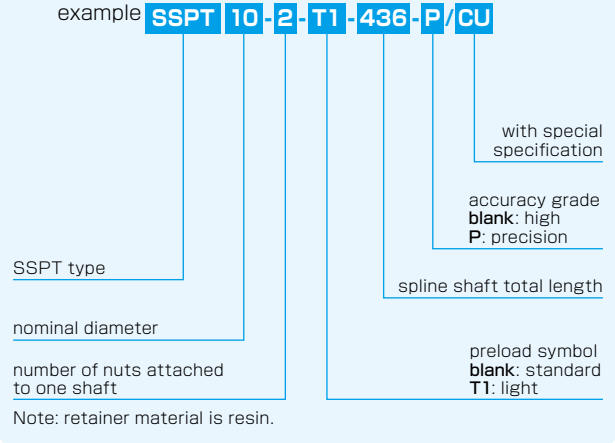
# SSPT TYPE

– Two Side Cut Flange Type –



## part number structure

example **SSPT 10-2-T1-436-P/CU**



part number	D		L		major dimensions				d <sub>1</sub> × d <sub>2</sub> × h	W
	mm	tolerance μm	mm	tolerance mm	Df	B	H	P.C.D.		
<b>SSPT 6</b>	14	0	25	0	30	18	5	22	3.4 × 6.5 × 3.3	7.5
<b>SSPT 8</b>	16	-11	25	-0.2	32	21	5	24	3.4 × 6.5 × 3.3	7.5
<b>SSPT 10</b>	21	0/-13	33	-0.2	42	25	6	32	4.5 × 8 × 4.4	10.5

d	D <sub>s</sub>	tolerance μm	basic torque rating		basic load rating		allowable static moment		mass		size
			dynamic C <sub>T</sub>	static Co <sub>T</sub>	dynamic C	static Co	Mo <sub>1</sub>	Mo <sub>2</sub>	nut	shaft	
1	6	0/-12	1.5	2.4	1.22	2.28	5.1	40	0.029	0.21	<b>6</b>
1.5	8	0	2.1	3.7	1.45	2.87	7.4	50	0.035	0.38	<b>8</b>
1.5	10	-15	4.4	8.2	2.73	5.07	18.0	116	0.075	0.6	<b>10</b>

1kN ≅ 102kgf 1N · m ≅ 0.102kgf · m

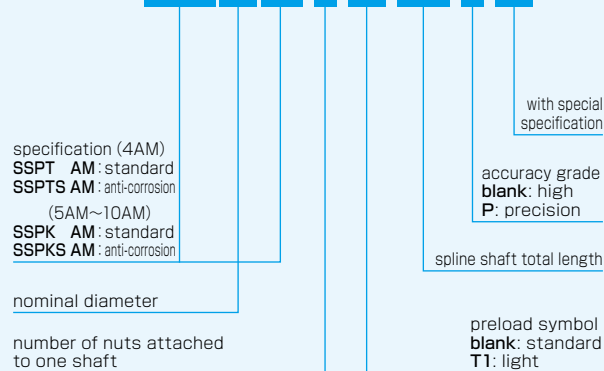
# SSPT-AM TYPE SSPK-AM TYPE

— Light and Compact Flange Type —

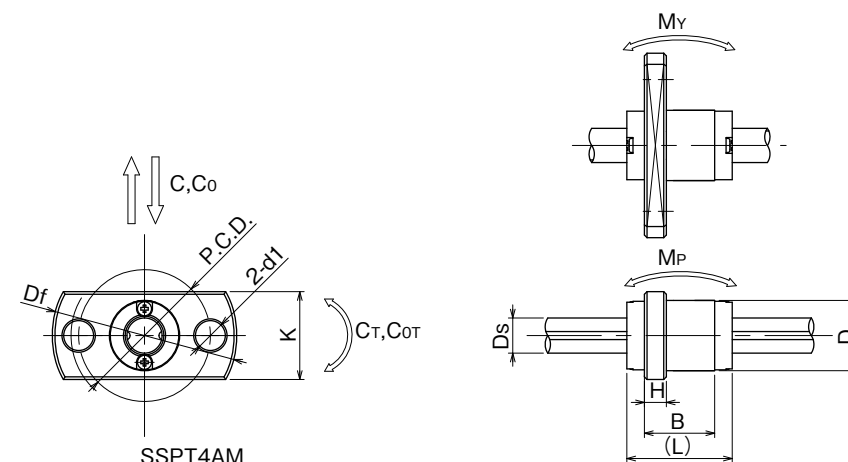


## part number structure

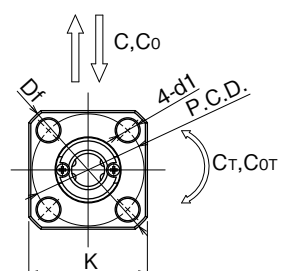
example **SSPK 10 AM-2 T1 400 P/CU**



Note: Nut material of SSPT-AM and SSPK-AM is stainless steel.



SSPT4AM  
\*SSPT4AM spline nut does not come with seal ring.



SSPK5AM~10AM  
\*SSPK5AM spline nut does not come with oil groove.

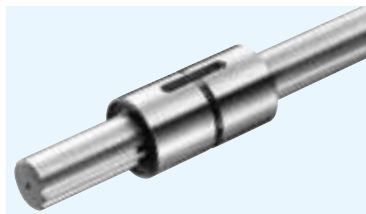
part number		major dimensions									
standard	anti-corrosion	D h6 tolerance	L	B	Df	K	H	P.C.D.	d1	W	
		mm	mm	mm	mm	mm	mm	mm	mm	mm	mm
SSPT 4AM	SSPTS 4AM	8	12	8	21	10	2.5	15	3.4	—	
SSPK 5AM	SSPKS 5AM	10	18	10.8	23	18	3.4	17	3.4	2.8	
SSPK 6AM	SSPKS 6AM	12	21	13	25	20	3	19	3.4	3.5	
SSPK 8AM	SSPKS 8AM	15	25	14.9	28	22	3.95	22	3.4	3.5	
SSPK10AM	SSPKS10AM	19	30	18	36	28	4	28	4.5	5	

d2	Ds h7 tolerance	basic torque rating		basic load rating		allowable static moment		mass		size	
		dynamic C <sub>T</sub>	static Co <sub>T</sub>	dynamic C	static Co	static moment M <sub>P</sub>	static moment M <sub>V2</sub>	nut	shaft		
mm	mm	μm	N · m	N · m	N	N	N · m	N · m	g	g/100mm	
—	4	0	0.72	1.00	314	438	0.59	1.03	5.0	9.7	4AM
1	5	-12	2.33	4.05	825	1,160	2.10	2.56	10.7	14.9	5AM
1	6	-12	2.95	5.27	890	1,290	2.55	3.11	14.7	21.6	6AM
1.2	8	0	5.85	9.83	1,330	1,810	4.11	5.00	23.9	38.4	8AM
1.5	10	-15	12.4	19.4	2,270	2,870	7.84	9.53	44.0	59.8	10AM

Allowable static moment M<sub>P2</sub> and M<sub>V2</sub> are the values when two spline nuts are used in close contact. 1N = 102gf 1N · m = 102gf · m

# STANDARD BALL SPLINE

## part number structure



example **SSP 10 S -2- T1 -400**

nut shape  
**SSP**: cylindrical type  
**SSPM**: keyless type  
**SSPF**: flange type  
**SSPT**: two side cut flange type

nominal diameter: 10

**S**: standard spline shaft

number of nuts attached to one shaft: 2

preload symbol  
**blank**: standard  
**T1**: light  
**T2**: medium

standard length: 400

example **SSP 4 AM S -2- T1 -300**

nut shape  
**SSP AM**: cylindrical type

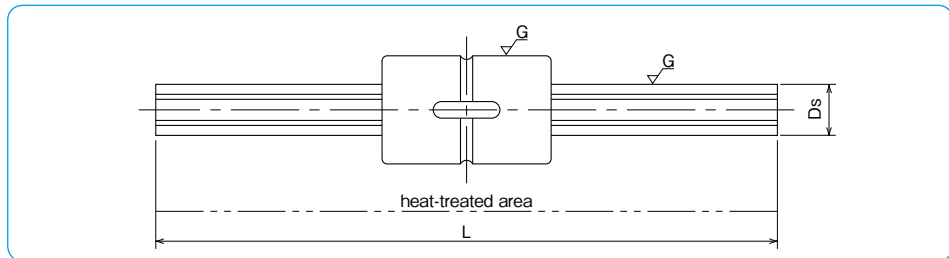
nominal diameter: 4

**S**: standard spline shaft

number of nuts attached to one shaft: 2

preload symbol  
**blank**: standard  
**T1**: light

standard length: 300

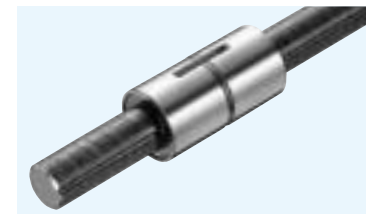


nominal diameter	Ds		major dimensions						applicable nut				
	mm	tolerance μm	standard length L mm						SSP	SSPM	SSPF	SSPT	SSP-AM
4	4	0	100	150	200	300	—	○	○	○	○	○	
6	6	-12	150	200	300	400	—	○	○	○	○	○	
8	8	0	150	200	300	400	500	○	○	○	○	○	
10	10	-15	200	300	400	500	600	○	○	○	○	○	
13A	13	0	200	300	400	500	600	○	—	○	—	—	
16A	16	-18	200	300	400	500	600	○	—	○	—	—	
20A	20	0	300	500	1,000	—	—	○	—	○	—	—	
25A	25	—	300	500	1,000	—	—	○	—	○	—	—	
30A	30	-21	300	500	1,000	—	—	○	—	○	—	—	
40A	40	0	500	1,000	—	—	—	○	—	○	—	—	
50A	50	-25	500	1,000	—	—	—	○	—	○	—	—	
60A	60	0/-30	500	1,000	—	—	—	○	—	○	—	—	
20	18.2	0	300	500	1,000	—	—	○	—	○	—	—	
25	23	-21	300	500	1,000	—	—	○	—	○	—	—	
30	28	0	300	500	1,000	—	—	○	—	○	—	—	
40	37.4	0	500	1,000	—	—	—	○	—	○	—	—	
50	47	-25	500	1,000	—	—	—	○	—	○	—	—	
60	56.5	0/-30	500	1,000	—	—	—	○	—	○	—	—	
4AM	4	0	100	150	200	300	—	—	—	—	—	○	
5AM	5	-12	150	200	300	400	—	—	—	—	—	○	

• Tolerance of standard length L: JIS B0405 coarse grade.  
 • Please refer to dimension tables for nut shape and dimensions.

○ yes — none

# COMMERCIAL BALL SPLINE



## part number structure

example **SSPF 25 C -2- 436/ CU**

nut shape  
**SSP**: cylindrical type  
**SSPF**: flange type

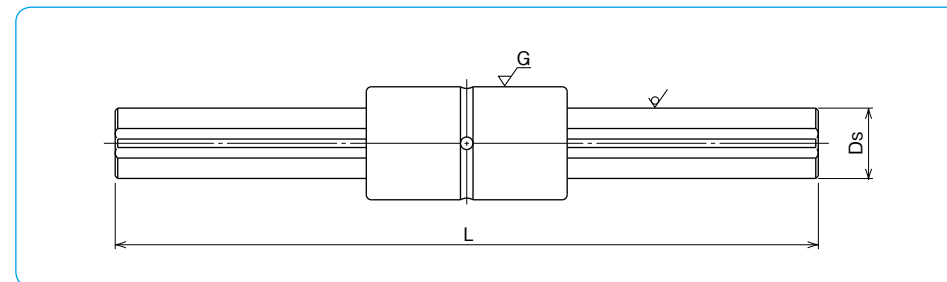
nominal diameter: 25

commercial spline shaft: C

number of nuts attached to one shaft: 2

spline shaft total length: 436

with special specification: CU



nominal diameter	Ds		major dimensions						applicable nut	
	mm	mm	standard length L mm						SSP	SSPF
20	18.2	—	500	1,000	2,000	3,000	4,000	5,000	○	○
25	23	—	500	1,000	2,000	3,000	4,000	5,000	○	○
30	28	—	500	1,000	2,000	3,000	4,000	5,000	○	○
40	37.4	—	500	1,000	2,000	3,000	4,000	5,000	○	○
50	47	—	500	1,000	2,000	3,000	4,000	5,000	○	○

• Tolerance of total length  
 total length up to 4,000: JIS B0405 coarse grade  
 total length greater than 4,000: ±5.0mm  
 Please specify tolerances when required.  
 • Please refer to dimension tables for nut shape and dimensions.  
 • When a commercial shaft is used, the load rating of the nut is approximately 70% of indicated rating in the dimension tables.

# ROTARY BALL SPLINE

The NB rotary ball spline can be used for both rotational motion and linear motion. The applications include SCARA robots, vertical shaft of assembly equipment, tool changers, and loaders, etc.

## STRUCTURE AND ADVANTAGES

The NB Rotary Ball Spline nut consists of a spline nut and a rotating portion using either cross rollers for SPR or balls for SPB.

### High Accuracy

Ball Splines transfer torque and achieve accurate positioning in the linear direction. By adding the rotating portion, Rotary Ball Splines can achieve accurate positioning in the linear and rotational directions.

### Half the Parts, Reduction in Installation Cost

The Spline nut and rotary bearing are combined in order to significantly reduce the number of parts, compared to conventional system. The combination also reduces the housing thickness to a minimum, resulting in light weight and easy installation.

Figure B-26 Structure of SPR type

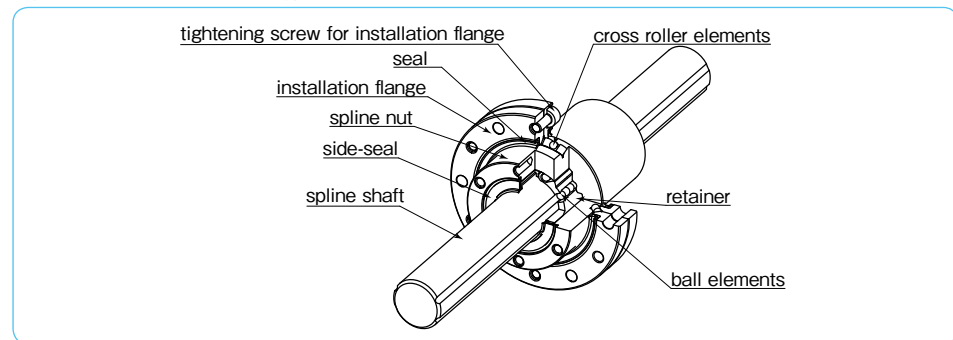
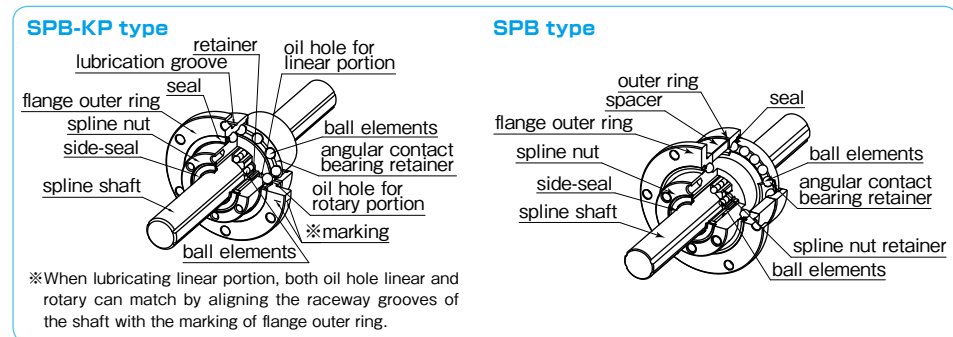


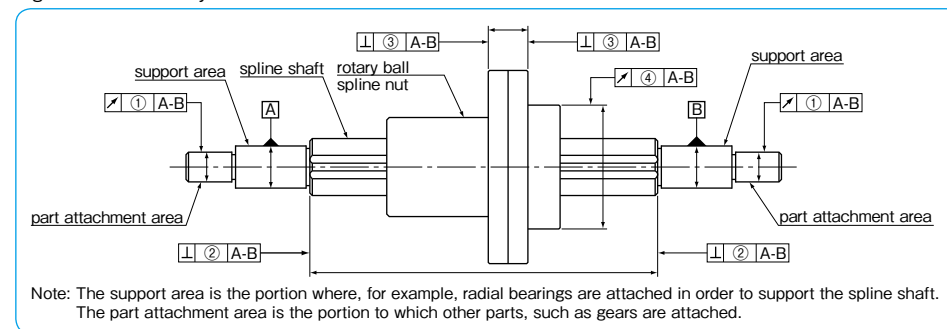
Figure B-27 Structure of SPB-KP type and SPB type



## ACCURACY OF SPR TYPE

The accuracy of SPR type is measured at the points shown in Figure B-28.

Figure B-28 Accuracy Measurement Points



### Tolerance of Spline Shaft Groove Torsion (Max.)

The groove torsion is indicated per 100mm, arbitrarily set as the effective length of the spline shaft section.

Table B-18 Tolerance of Spline Shaft Groove Torsion (Max.)

tolerance
13 μm/100mm

Table B-19 Tolerance Relative to Spline Support Area (Max.)

unit : μm

part number	①radial runout of part attachment area	②perpendicularity of the end of the spline shaft section (when grinding is requested on the drawing)	③perpendicularity of the flange			
SPR 6	14	9	14			
SPR 8						
SPR10						
SPR13						
SPR16	19	11	18			
SPR20A						
SPR25A						
SPR30A						
SPR40A	25	16	25			
SPR50A						
SPR60A						
SPR20				19	11	18
SPR25						
SPR30						
SPR40	25	16	25			
SPR50						
SPR60				29	19	29

Table B-20 ④Radial Runout of Outer Surface of Rotary Spline Nut Relative to Spline Support Area (Max.)

unit : μm

spline shaft total length (mm) greater than or less	part number							
	SPR 6, 8	SPR 10	SPR 13, 16	SPR 20A, 20, 25A, 25, 30A, 30	SPR 40A, 40, 50A, 50	SPR 60A, 60	SPR 60A, 60	SPR 60A, 60
200	46	36	34	32	32	30	30	30
200 315	89	54	45	39	36	34	34	34
315 400	126	68	53	44	39	36	36	36
400 500	163*	82	62	50	43	38	38	38
500 630	—	102	75	57	47	41	41	41
630 800	—	—	92	68	54	45	45	45
800 1,000	—	—	115	83	63	51	51	51
1,000 1,250	—	—	153	102	76	59	59	59
1,250 1,600	—	—	195*	130	93	70	70	70
1,600 2,000	—	—	—	171	118	86	86	86

\*Please contact NB for spline shafts exceeding 2000mm. \* SPR6 shaft Max. length: 400mm SPR13, SPR16 Max.length: 1500mm



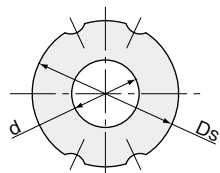


**HOLLOW SPLINE SHAFT**

NB provides hollow shafts. It can be used for running cable, air piping, and weight reduction. Table B-28 shows a list of recommended inner diameter for hollow spline shaft (SUJ2).

Table B-28 Recommended Inner Diameter for Hollow Spline Shaft

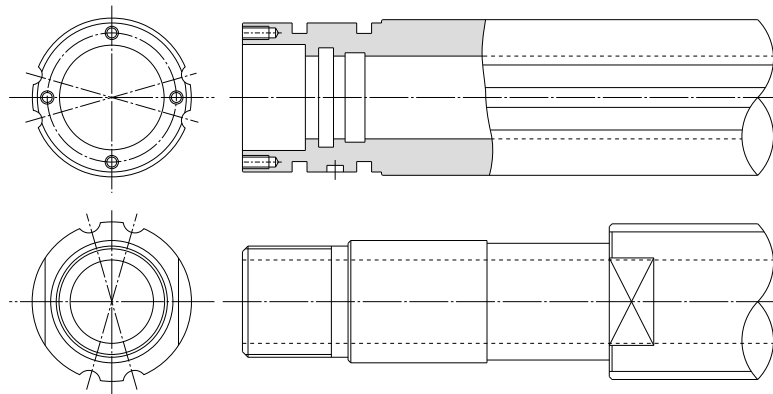
part number		outer diameter Ds mm	inner diameter d mm	second moment of inertia I mm <sup>4</sup>	cross-sectional coefficient Z mm <sup>3</sup>
SPR 6	SPB 6KP	6	2	58.3	18.9
SPR 8	SPB 8KP	8	3	186	44.9
SPR10	SPB10KP	10	4	448	85.9
SPR13	SPB13KP	13	6	1,260	182
SPR16	SPB16KP,16	16	8	2,780	323
SPR20A	SPB20KP,20	20	10	6,860	637
SPR25A	SPB25KP,25	25	15	15,400	1,100



**SPECIAL REQUIREMENTS**

NB provides customization such as shaft-end machining, spline nut machining, and surface treatment per customer requests. Please contact NB for the inner diameter of SPR20~SPR60.

Figure B-30 Examples of Shaft-end Machining



**MOUNTING**

The flange attachment screws of SPR type have been pre-adjusted for smooth rotary movement and should never be loosened. Shock loading to the flange assembly should be avoided as this can degrade the accuracy of movement and deteriorate the overall performance. The spacer of SPB type is properly adjusted to produce the best preload condition. Shock loading to the spacer should be avoided as this can change the preload condition and deteriorate the accuracy. Please fix the mounting screws diagonally. The recommended torque values for medium-hardness steel screws are listed in Table B-29.

**SPR Type**

When the flange of SPR type is to be used with a faucet joint (as shown in Figure B-31) the housing bore should be machined to a tolerance of H7 and to a minimum depth of 60% of the flange thickness. If only a light load is applied to the SPR in operation, the flange can be used without a pilot end.

**SPB-KP Type**

The housing bore for the SPB-KP type should be matched to a tolerance of H7 and keep enough depth (as shown in Figure B-32) so that the outer ring is inside the housing.

**SPB Type**

The housing bore for the SPB type should be machined to a tolerance of H7 and contain enough depth so that the outer ring is inside the housing. If not, the outer ring may fall off.

**Insertion of Spline Shaft**

When inserting the spline shaft into the rotary ball spline nut, ensure that the ball elements do not drop out. This is done by aligning the raceway grooves of the shaft with the rows of ball elements and seal lip of the nut. Then, carefully insert the spline shaft through the spline nut.

Figure B-31 SPR type Mounting Method

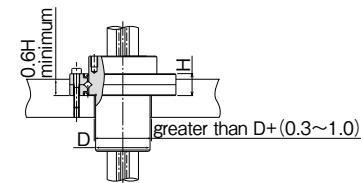


Figure B-32 SPB-KP type Mounting Method

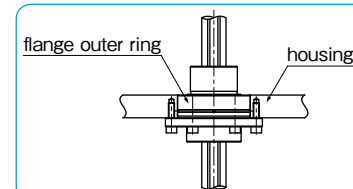


Figure B-33 SPB type Mounting Method

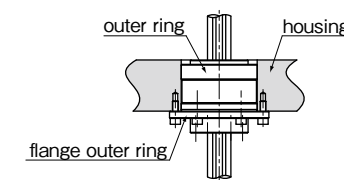


Table B-29 Recommended Torque unit : N·m

mounting screw	M2	M2.5	M3	M4	M5	M6	M8
recommended torque	0.4	0.9	1.4	3.2	6.6	11.2	27.6

(for alloy steel screw)

LUBRICATION

Since NB rotary ball spline nuts are equipped with seals at both the spline portion and the rotational portion, the lubricant is retained for an extended period of time. The spline nut is prelubricated with lithium soap based grease prior to shipment for immediate use. Please relubricate with a similar type of grease periodically depending on the operating conditions.

Low dust generation grease is available from NB standard grease. (refer to page Eng-39) However, an oil lubricant is recommended for high-speed applications. A grease fitting or machining oil holes is optional (Figure B-34-37), please contact NB for details.

SPR Type

A grease fitting for rotational portion and machining oil hole for spline portion are optional.

Figure B-34 Example of Installed Grease Fitting

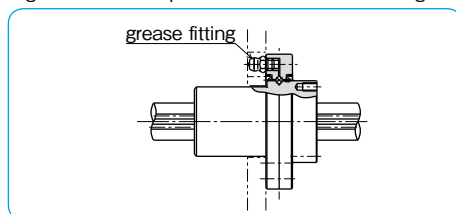
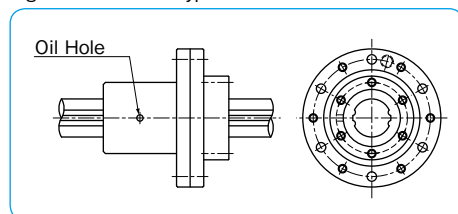


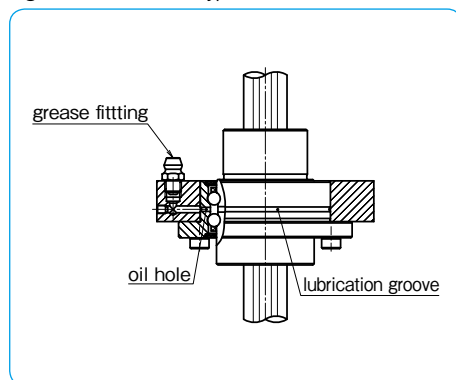
Figure B-35 SPR type Oil Hole



SPB-KP Type

Lubrication is done through oil hole on the outer ring. It is applied the spline portion and the cross roller portion simultaneously.

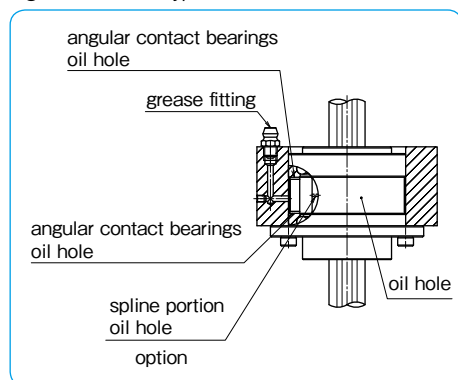
Figure B-36 SPB-KP type Oil Hole



SPB Type

Rotational portion has an oil hole as a standard. For lubrication, it is recommended to mount a grease fitting or oil hole to housing. Machining oil hole for spline portion is available. Please contact NB.

Figure B-37 SPB type Oil Hole



OPERATING CONDITIONS

The performance of the rotary ball spline is affected by the operating conditions of the application. The operating conditions should therefore be carefully taken into consideration.

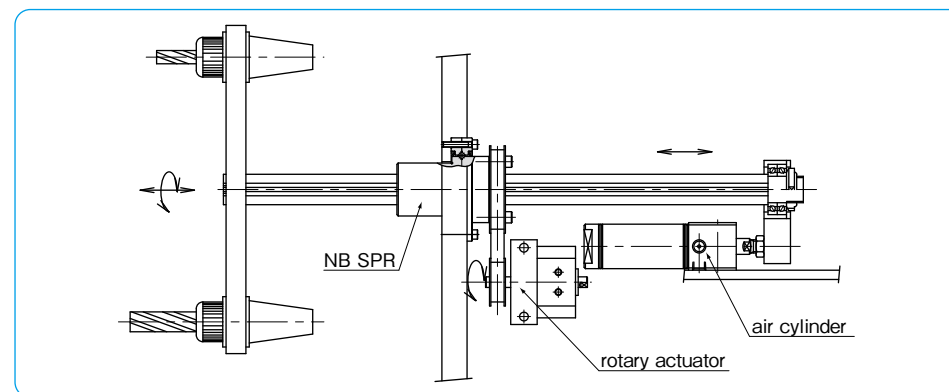
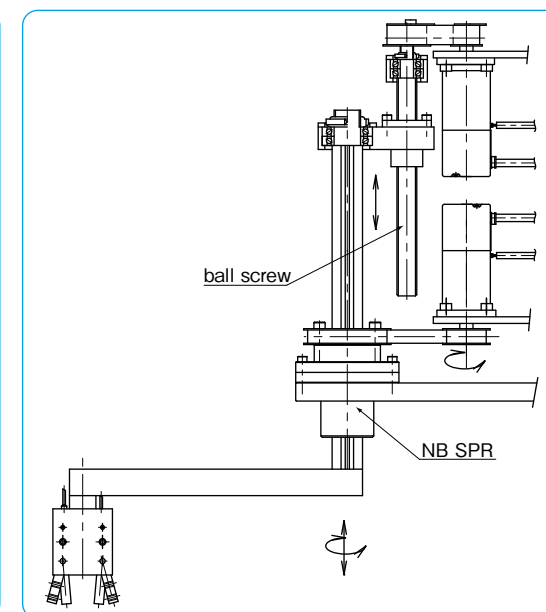
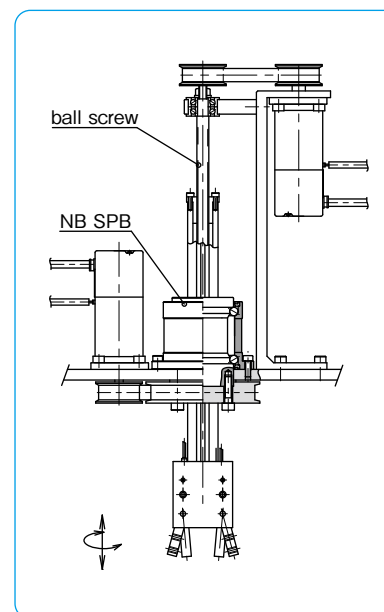
Operating Temperature

Resin retainers are used in the rotary ball spline, since the operating temperature should never exceed 80°C.

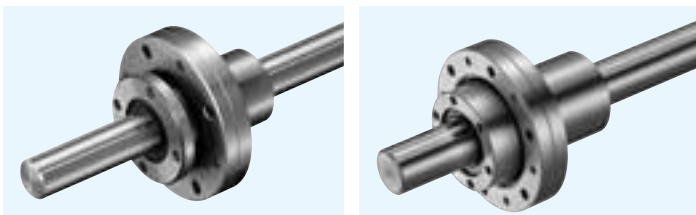
Dust Prevention

Foreign particles or dust in the rotary ball spline nut affect the motion accuracy and shorten the lifetime. Standard seals will perform well for dust prevention under normal operating conditions; however, in a harsh environment, it is necessary to attach bellows or protective covers.

APPLICATION EXAMPLES



SPR TYPE



part number structure

example **SPR 25 - 2 - T1 - 436 / CU**

SPR type

nominal diameter

number of nuts attached to one shaft

Note: retainer material is resin.

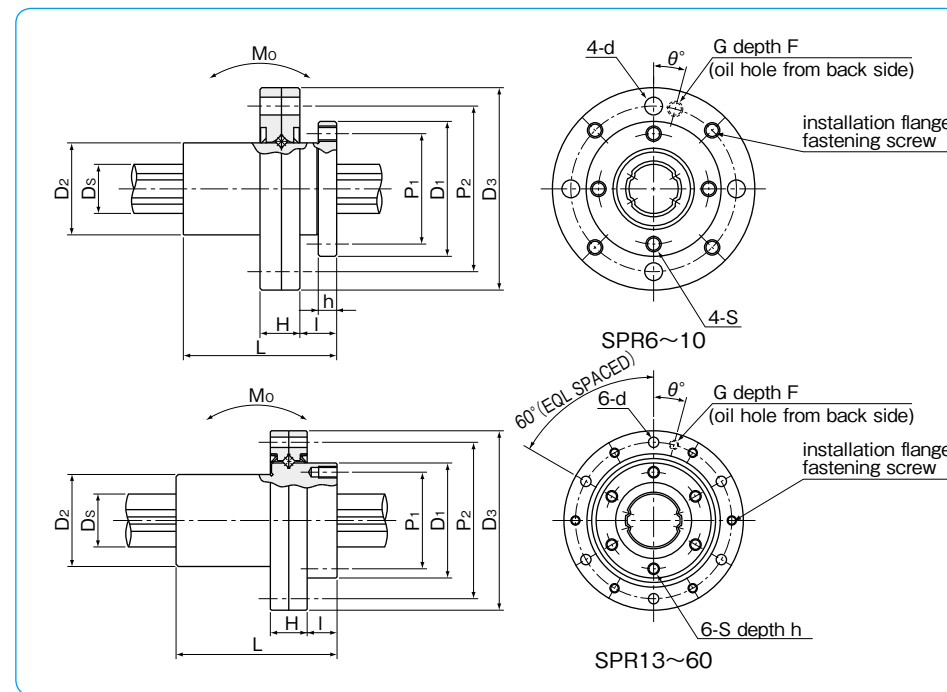
spline shaft total length

preload symbol  
blank: standard  
T1: light  
T2: medium

with special specification

part number	major dimensions					major dimensions of cross roller bearing									
	D <sub>1</sub>	D <sub>2</sub>	L	P <sub>1</sub>	S	h	I	H	D <sub>3</sub>	P <sub>2</sub>	d	G	F	θ	
	mm	mm	mm	mm	mm	mm	mm	mm	mm	mm	mm	mm	mm	mm	°
SPR 6	20	13	25	16	M2	2.5	5	6.5	30	24	2.4	M3	2.6	20°	
SPR 8	22	15	25	18	M2.5	3	6	6.5	33	27	2.9	M3	2.6	20°	
SPR10	27	19	33	22	M3	4	8	7	40	33	3.4	M3	2.8	20°	
SPR13	29	24	36	24	M3	5	8	9	50	42	3.4	M3	3.6	15°	
SPR16	36	31	50	30	M4	6	10	11	60	50	4.5	M3	4.4	15°	
SPR20A	44	35	63	38	M4	7	12	13	72	62	4.5	M6×0.75	5.2	15°	
SPR25A	55	42	71	47	M5	8	13	16	82	72	4.5	M6×0.75	6.4	15°	
SPR30A	61	47	80	52	M6	10	17	17	100	86	6.6	M6×0.75	6.8	15°	
SPR40A	76	64	100	66	M6	10	23	20	120	104	9	M6×0.75	8	15°	
SPR50A	92	80	125	80	M8	13	24	22	134	118	9	M6×0.75	8.8	15°	
SPR60A	107	90	140	95	M8	13	25	25	155	137	9	M6×0.75	10	15°	
SPR20	40	34	60	34	M4	7	12	13	66	56	4.5	M6×0.75	5.2	15°	
SPR25	50	40	70	42	M5	8	13	16	78	68	4.5	M6×0.75	6.4	15°	
SPR30	61	47	80	52	M6	10	17	17	100	86	6.6	M6×0.75	6.8	15°	
SPR40	76	64	100	64	M6	10	23	20	120	104	9	M6×0.75	8	15°	
SPR50	88	75	112	77	M8	13	24	22	130	114	9	M6×0.75	8.8	15°	
SPR60	102	90	127	90	M8	13	25	25	150	132	9	M6×0.75	10	15°	

Please contact NB for the grease fitting and relubrication method.



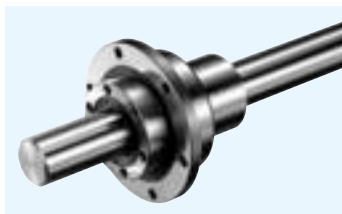
spline shaft	ball spline				cross roller bearing		allowable static moment Mo	mass		%maximum revolutions	size	
	Ds	basic torque rating	basic load rating	basic load rating	dynamic	static		nut	shaft			
	mm	dynamic C <sub>T</sub>	static Co <sub>T</sub>	dynamic C	static Co	dynamic C <sub>R</sub>		static Co <sub>R</sub>	kg			kg/m
6	0/-12	1.5	2.4	1.22	2.28	0.6	0.5	5.1	0.04	0.21	2,940	6
8	0	2.1	3.7	1.45	2.87	1.2	1.10	7.4	0.05	0.38	2,580	8
10	-15	4.4	8.2	2.73	5.07	2.4	2.45	18.0	0.09	0.60	2,060	10
13	0	21	39.2	2.67	4.89	2.9	3.70	13.7	0.17	1.0	1,350	13
16	-18	60	110	6.12	11.2	5.6	6.70	46	0.33	1.5	1,080	16
20	0	105	194	8.9	16.3	6.55	8.79	110	0.57	2.4	890	20A
25	-21	189	346	12.8	23.4	9.63	12.7	171	0.81	3.7	700	25A
30	0	307	439	18.6	23.2	11.8	17.1	181	1.19	5.38	640	30A
40	0	674	934	30.8	37.5	23.0	32.3	358	2.25	9.55	510	40A
50	-25	1,290	2,950	40.3	64.9	27.8	44.0	690	3.57	15.0	430	50A
60	0/-30	1,570	2,620	47.7	79.5	29.0	48.8	881	5.03	21.6	370	60A
18.2	0	83	133	7.84	11.3	5.90	7.35	63	0.45	2.0	980	20
23	-21	162	239	12.3	16.1	9.11	11.5	104	0.75	3.1	770	25
28	0	289	412	18.6	23.2	11.8	17.1	181	1.25	4.8	640	30
37.4	0	637	882	30.8	37.5	23.0	32.3	358	2.30	8.6	510	40
47	-25	1,390	3,180	46.1	74.2	27.2	42.1	696	3.10	13.1	450	50
56.5	0/-30	2,100	4,800	58.0	127	26.5	42.6	1,300	4.70	19	400	60

※ Maximum revolutions for grease lubrication.

Contact NB for further information in case oil lubrication is required.

1kN=102kgf 1N·m=0.102kgf·m

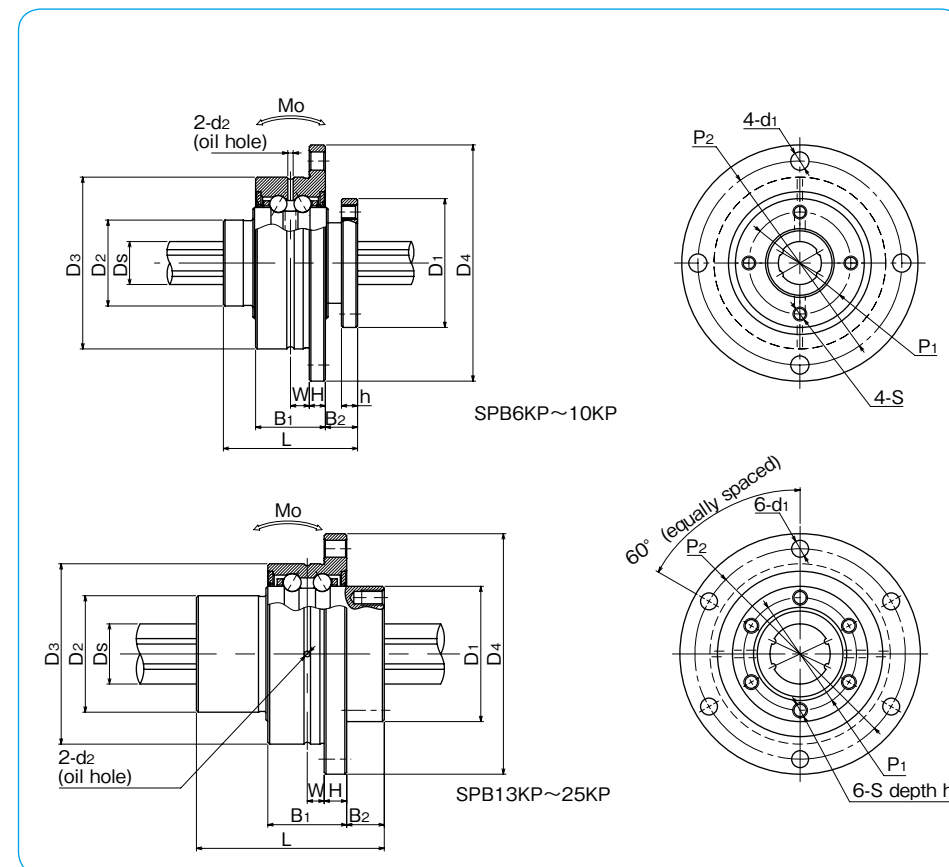
# SPB-KP TYPE



## part number structure

example **SPB 16 KP-2-T1-600-P/CU**

- SPB**: SPB KP type
- 16**: nominal diameter
- KP-2**: number of nuts attached to one shaft
- T1**: preload symbol for linear portion (T1: light, T2: medium)
- 600**: spline shaft total length
- P**: accuracy grade blank (high), P: precision
- CU**: with special specification

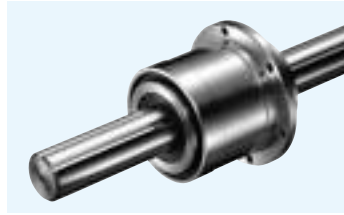


part number	major dimensions							major dimensions of angular contact bearing					
	D <sub>1</sub> h7	D <sub>2</sub>	L	P <sub>1</sub>	S	h	D <sub>3</sub> g6	D <sub>4</sub>	H	B <sub>1</sub>	B <sub>2</sub>	P <sub>2</sub>	
	mm	mm	mm	P.C.D. mm		mm	mm	mm	mm	mm	mm	mm	
<b>SPB 6KP</b>	20	14	25	16	M2	3	28	38	3	13	6	33	
<b>SPB 8KP</b>	24	16	25	19	M2.6	3	32	44	3	13	6	38	
<b>SPB10KP</b>	28	21	33	23	M3	4	36	48	3	15	9	42	
<b>SPB13KP</b>	30	24	36	25	M3	5	44	56	4	18	9	50	
<b>SPB16KP</b>	36	31	50	30	M4	6	48	64	6	21	10	56	
<b>SPB20KP</b>	43.5	35	63	36	M5	8	56	72	6	21	12	64	
<b>SPB25KP</b>	52	42	71	44	M5	8	66	86	7	25	13	75	

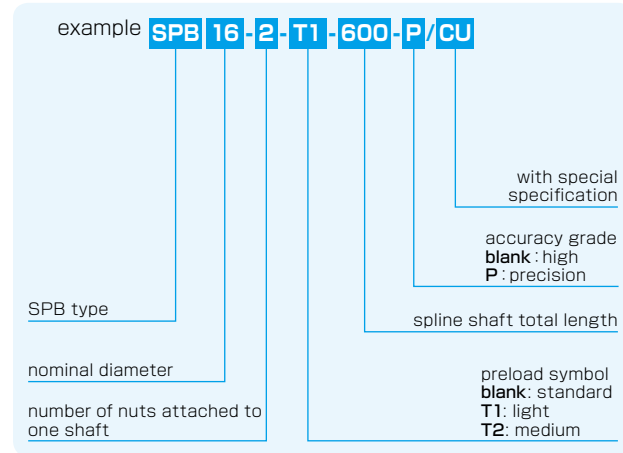
d <sub>1</sub>	W	d <sub>2</sub>	D <sub>s</sub>	rotary ball spline				angular contact bearings		allowable static moment Mo	mass		* maximum revolutions	size
				basic torque rating dynamic C <sub>T</sub>	basic torque rating static Co <sub>T</sub>	basic load rating dynamic C	basic load rating static Co	dynamic C <sub>R</sub>	static Co <sub>R</sub>		nut kg	shaft kg/m		
2.4	3.5	1	6	1.5	2.4	1.22	2.28	4.35	2.74	5.1	0.07	0.21	8,100	6
3.4	3.5	1	8	2.1	3.7	1.45	2.87	4.54	3.13	7.4	0.10	0.38	7,000	8
3.4	4.5	1	10	4.4	8.2	2.73	5.07	6.86	4.82	18.0	0.14	0.60	6,200	10
3.4	5	1	13	21	39.2	2.67	4.89	9.45	7.01	13.7	0.23	1.0	5,000	13
4.5	4.5	1.5	16	60	110	6.12	11.2	10.2	8.39	46	0.37	1.5	4,200	16
4.5	4.5	1.5	20	105	194	8.9	16.3	10.9	10.1	110	0.55	2.4	3,600	20
5.5	5.5	1.5	25	189	346	12.8	23.4	13.7	12.9	171	0.84	3.7	3,100	25

\*Maximum revolutions for grease lubrication.

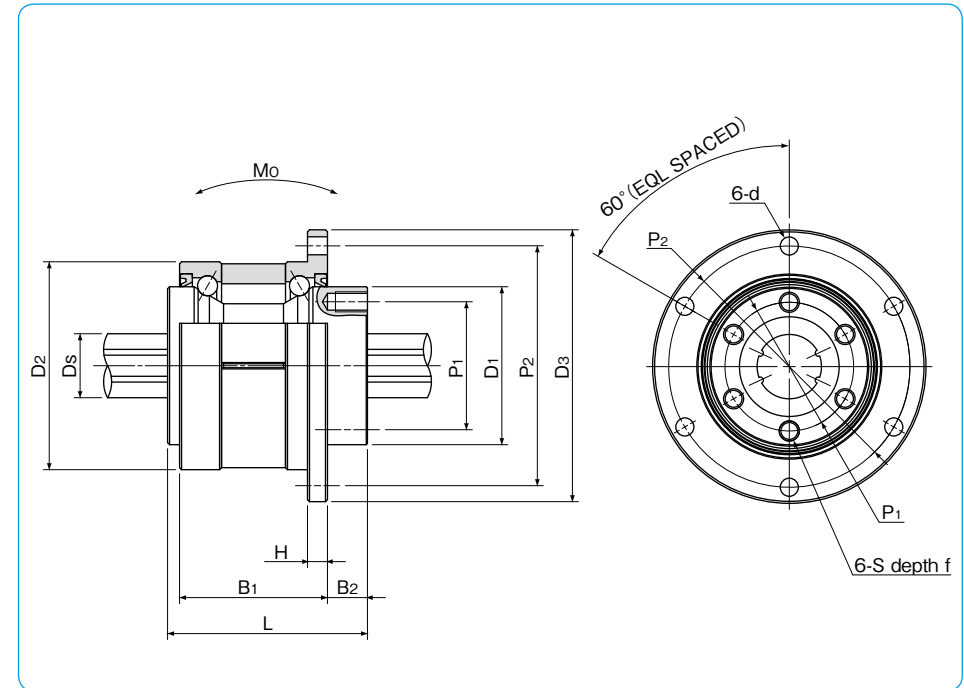
# SPB TYPE



## part number structure



part number	major dimensions						major dimensions of angular contact bearing							
	D <sub>1h7</sub> tolerance	L	P <sub>1</sub> P.C.D.	S	f	D <sub>2</sub> tolerance	D <sub>3</sub>	H	B <sub>1</sub>	B <sub>2</sub>	P <sub>2</sub> P.C.D.	d		
	mm	μm	mm	mm	mm	mm	μm	mm	mm	mm	mm	mm	mm	
<b>SPB16</b>	39.5	0	50	32	M5	8	52	0	68	5	37	10	60	4.5
<b>SPB20</b>	43.5	-25	63	36	M5	8	56	0	72	6	48	12	64	4.5
<b>SPB25</b>	53	0/-30	71	45	M6	8	62	-7	78	6	55	13	70	4.5



spline shaft		rotary ball spline				angular contact bearings		allowable	mass		※	
D <sub>s</sub> tolerance		basic torque rating	static	basic load rating	static	basic load rating	static	static moment	nut	shaft	maximum revolutions	size
mm	μm	C <sub>T</sub> N·m	C <sub>0T</sub> N·m	C kN	C <sub>0</sub> kN	C kN	C <sub>0</sub> kN	M <sub>0</sub> N·m	kg	kg/m	rpm	
16	0/-18	60	110	6.12	11.2	13.0	12.8	46	0.51	1.5	4,000	<b>16</b>
20	0	105	194	8.9	16.3	17.4	17.2	110	0.70	2.4	3,600	<b>20</b>
25	-21	189	346	12.8	23.4	22.1	22.5	171	0.91	3.7	3,200	<b>25</b>

※Maximum revolutions for grease lubrication. (please contact NB in case of oil lubrication.) 1kN≒102kgf 1N·m≒0.102kgf·m

# STROKE BALL SPLINE

The NB stroke ball spine SPLFS type is a highly accurate linear motion bearing with a limited stroke, to which both radial load and torque can be applied at the same time. It operates with extremely low dynamic friction.

## STRUCTURE AND ADVANTAGES

The NB stroke ball spline consists of a nut and a shaft both with raceway grooves. The flanged spline nut consists of an outer cylinder, a retainer, side-rings, and ball elements. Since the retainer in the nut is equipped with ball pockets, the ball elements do not contact each other, which allows for a smooth linear motion. The stroke is limited since the retainer is a non-circulating type. For normal operation, it is recommended to consider 80% of the maximum stroke shown in the dimension table as an actual stroke length.

### Extremely low Dynamic Friction and Low Noise

The rolling elements are separated by the ball pockets so that they do not contact each other. The stroke length is limited, but extremely low dynamic friction and low noise are realized because the rolling elements do not circulate.

### Compact-Size

With the nut about 20% smaller than those of conventional ball splines, it contributes to space saving.

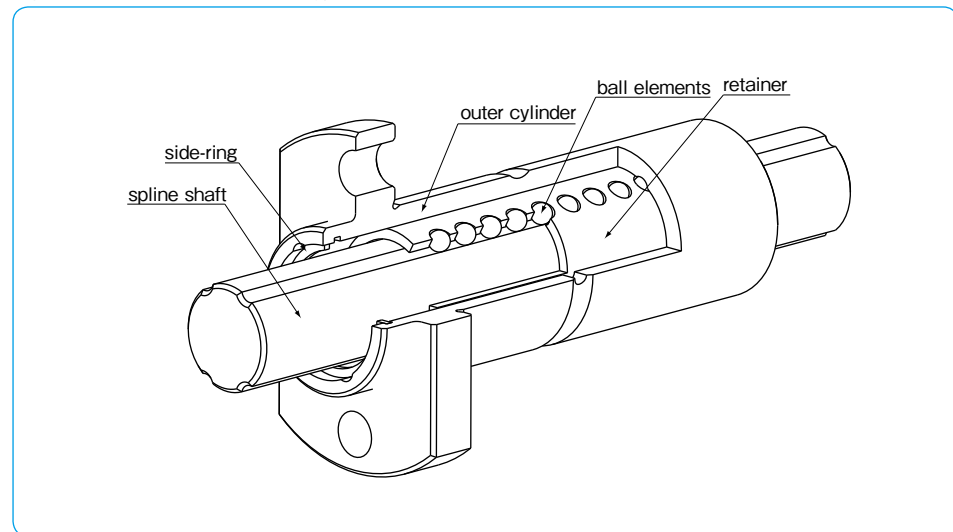
### All Stainless Steel Type

Since all the components are made of stainless steel, this stroke ball spline has an excellent corrosion resistance and heat resistance (operating temperature: -20 to 140°C). It is ideal for clean room or vacuum applications.

### Lubrication

A lubricant groove and two lubrication holes are provided on the outer surface of the nut, which allows for an easy designing of lubricant replenishment.

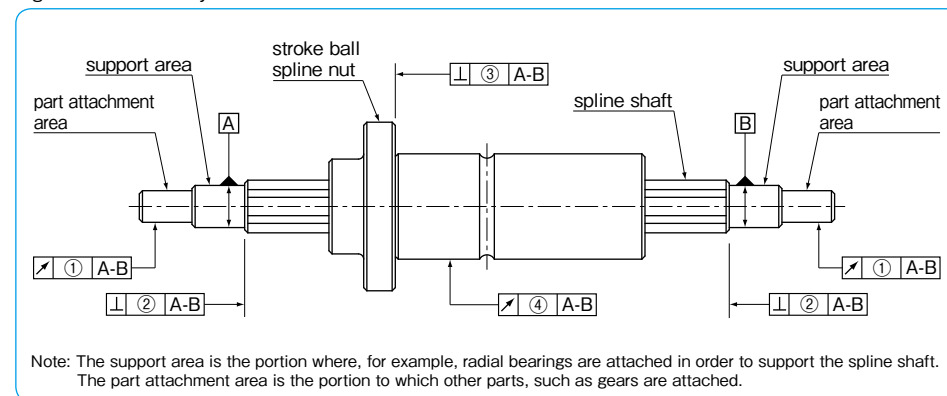
Figure B-38 Structure of SPLFS type



## ACCURACY

The accuracy of the NB stroke ball spline is measured at the points shown in Figure B-39.

Figure B-39 Accuracy Measurement Points



### Tolerance of Spline Shaft Groove Torsion (Max.)

The groove torsion is indicated per 100mm, arbitrarily set as the effective length of the spline shaft section.

Table B-30 Tolerance of Spline Shaft Groove Torsion (Max.)

tolerance
13 μm/100mm

Table B-31 Tolerance Relative to Spline Support Area (Max.)

unit: μm

part number	① radial runout of part attachment area	② perpendicularity of the end of the spline shaft section	③ perpendicularity of the flange
SPLFS 6	14	9	11
SPLFS 8	14	9	11
SPLFS10	17	9	13
SPLFS13	19	11	13
SPLFS16	19	11	13

Table B-32 ④ Radial Runout of Outer Surface of Spline Nut Relative to Spline Support Area (Max.)

unit: μm

spline shaft total length (mm)		part number		
greater than	or less	SPLFS6, 8	SPLFS10	SPLFS13, 16
—	200	46	36	34
200	315	89	54	45
315	400	126*	68	53
400	500	163*	82	62
500	630	—	102	75
630	800	—	—	92
800	1,000	—	—	115
1,000	1,250	—	—	153
1,250	1,500	—	—	195

\* SPLFS6 maximum shaft length: 400 mm

PRELOAD AND CLEARANCE

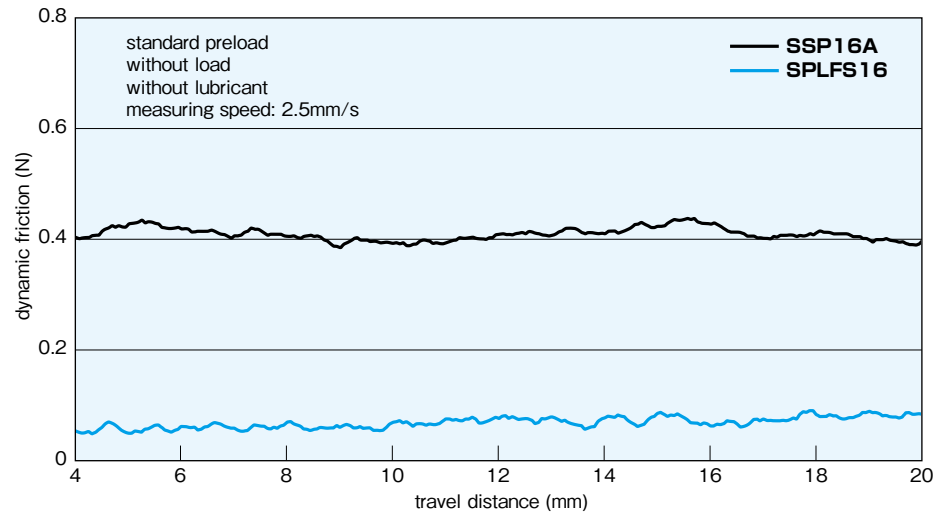
Preload and clearance are expressed in terms of clearance in the rotational direction. For the SPLFS type, only the standard preload is available as shown in Table B-33. Please contact NB if a special preload is required.

Table B-33 Preload and Clearance in Rotational Direction unit:  $\mu\text{m}$

part number	standard
SPLFS 6	-4~0
SPLFS 8	-4~0
SPLFS10	-4~0
SPLFS13	-4~0
SPLFS16	-4~0

COMPARISON OF DYNAMIC FRICTIONAL RESISTANCE

Figure B-40 Comparison of Dynamic Friction



USE AND HANDLING PRECAUTIONS

Dust Prevention

Since the stroke ball spline is designed and manufactured for operation with an extremely low dynamic frictional resistance, seals that increase frictional resistance are not equipped as a standard feature. Please contact NB for a special requirement of seals. For use under harsh conditions, the stroke ball spline should be protected using bellows and protective covers.

Maximum Stroke

The maximum stroke in the dimension table is the stroke limit.

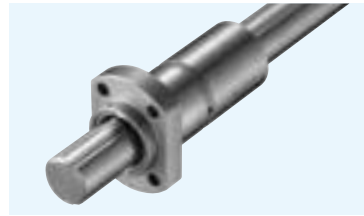
Retainer Slippage

If the stroke ball spline is used at a high speed or with a vertical shaft, or under an asymmetric load or oscillation, a retainer slippage may occur. For general operation, it is recommended to consider 80% of the maximum stroke length shown in the dimension table as the stroke length.

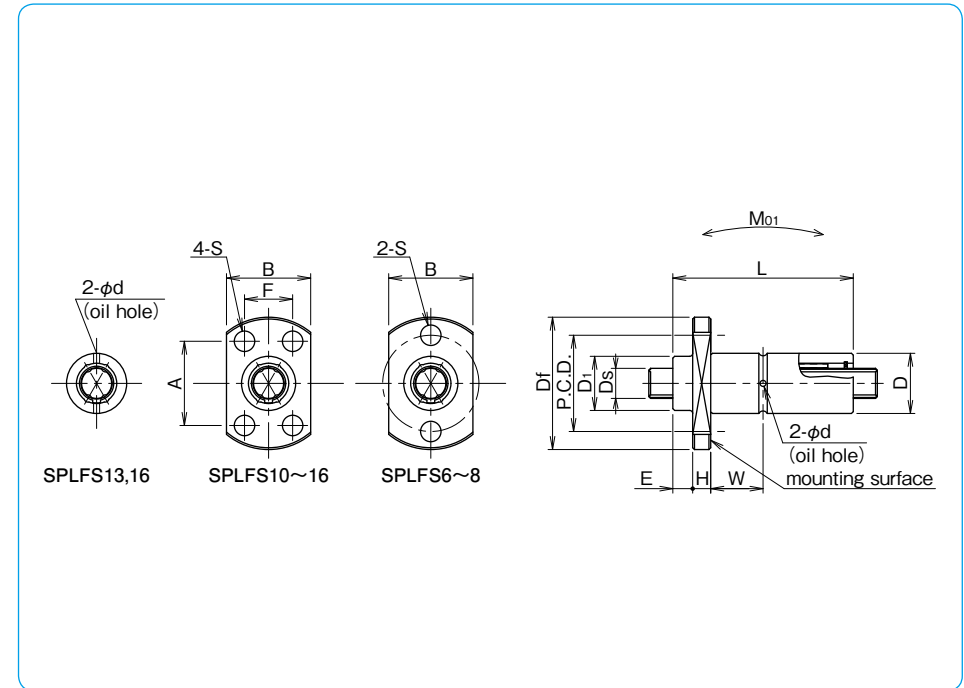
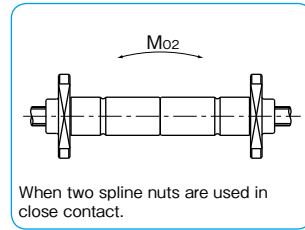
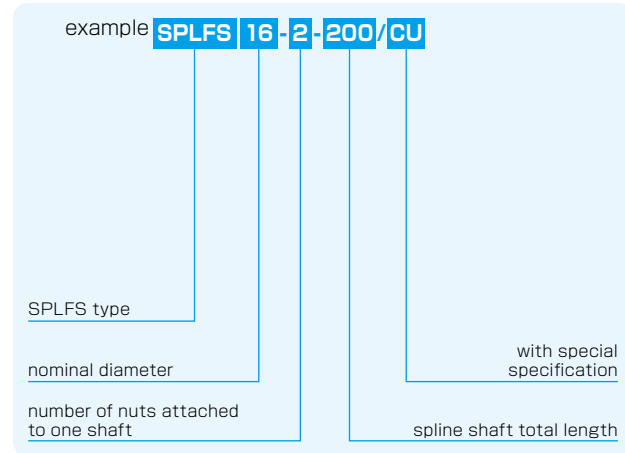
To prevent the retainer slippage, it is recommended to conduct a full-stroke movement of the nut whenever necessary in order for the retainer to be relocated to the center.

# SPLFS TYPE

– Two Side Cut Flange Type –



## part number structure



part number	maximum stroke		D tolerance μm	D <sub>1</sub> mm	L tolerance mm	major dimensions							
	mm	mm				E mm	D <sub>f</sub> mm	H mm	B mm	P.C.D. mm	A mm	F mm	
<b>SPLFS 6</b>	22	11	0	10	40	-0.2	3.3	23	4	14	17	—	—
<b>SPLFS 8</b>	20	13		12.5	40		3.3	25.5	4	16	19.5	—	—
<b>SPLFS 10</b>	28	16	-8	15.5	50	-0.2	3.3	28.5	5	20	—	18	13
<b>SPLFS 13</b>	24	20		19.5	50		4.8	36	5	25	—	22	17
<b>SPLFS 16</b>	26	24	-9	23.5	60	-0.2	4.8	40	7	29	—	25	19

S	W	d	D <sub>s</sub> tolerance μm	basic torque rating		basic load rating		allowable static moment		mass		size	
				dynamic C <sub>T</sub> N·m	static C <sub>0T</sub> N·m	dynamic C kN	static C <sub>0</sub> kN	M <sub>O1</sub> N·m	M <sub>O2</sub> N·m	nut g	shaft kg/m		
3.4	12.7	1.2	6	0/-12	2.3	3.8	1.8	3.0	11.2	45	21.5	0.21	<b>6</b>
3.4	12.7	1.2	8	0	3.3	5.5	2.02	3.37	13.1	52	27.0	0.38	<b>8</b>
3.4	16.7	1.5	10	-15	6.5	10.9	3.21	5.35	25.6	102	47.7	0.6	<b>10</b>
3.4	15.2	1.5	13	0	27.6	50.7	4.15	7.6	38.8	155	75.3	1.0	<b>13</b>
4.5	18.2	2.0	16	-18	62.8	115	7.66	14	88.3	353	123.5	1.5	<b>16</b>

1kN≒102kgf 1N·m≒0.102kgf·m



# BALL SCREW SPLINE

## STRUCTURE AND ADVANTAGES

The NB Ball Screw Spline consists of a highly accurate and highly rigid Ball Screw nut and Ball Spline nut attached to the ball screw spline shaft which has a screw groove and spline grooves.

SPBR type has a Rotary Ball Screw nut and Rotary Ball Spline nut.

Rotary Ball Screw nut is an integration of ball screw nut and angular contact bearings.

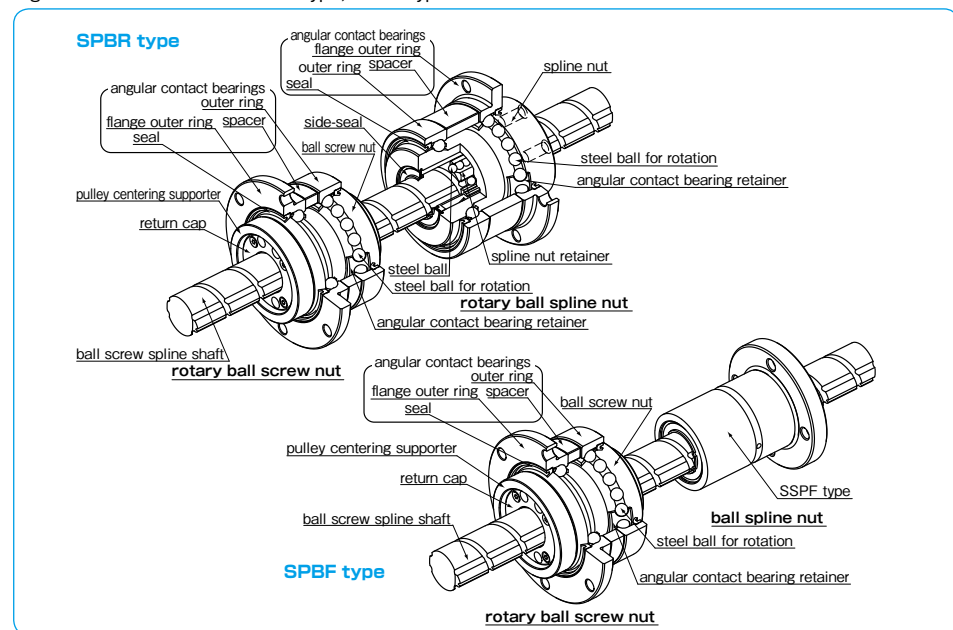
Rotary Ball Spline nut is an integration of ball spline nut and angular contact bearings.

SPBF type has a Rotary Ball Screw nut and a Ball Spline nut.

A single axis of the NB Ball Screw Spline can provide positioning, linear and rotary motion as well as combined spiral motion.

The typical applications are SCARA robot, assembly machine, loader, etc.

Figure B-41 Structure of SPBR type, SPBF type



## PRELOAD

The preload is properly adjusted for the ball screw nut, spline nut, and angular contact bearings. Please contact NB for preload specification.

## USE AND HANDLING PRECAUTIONS

- Please do not adjust the spacer. The spacer is adjusted to provide a proper spacing for the best preload condition.
- Please do not remove the Rotary Ball Screw nut from the shaft. There is no ball-retainer in the Rotary Ball Screw nut.
- Please use the pulley centering supporter when attaching the pulley to the return-cap.

## ACCURACY

The NB Ball Screw Spline is measured for accuracy at the points shown in Figure B-42.

Figure B-42 Accuracy Measurement Points

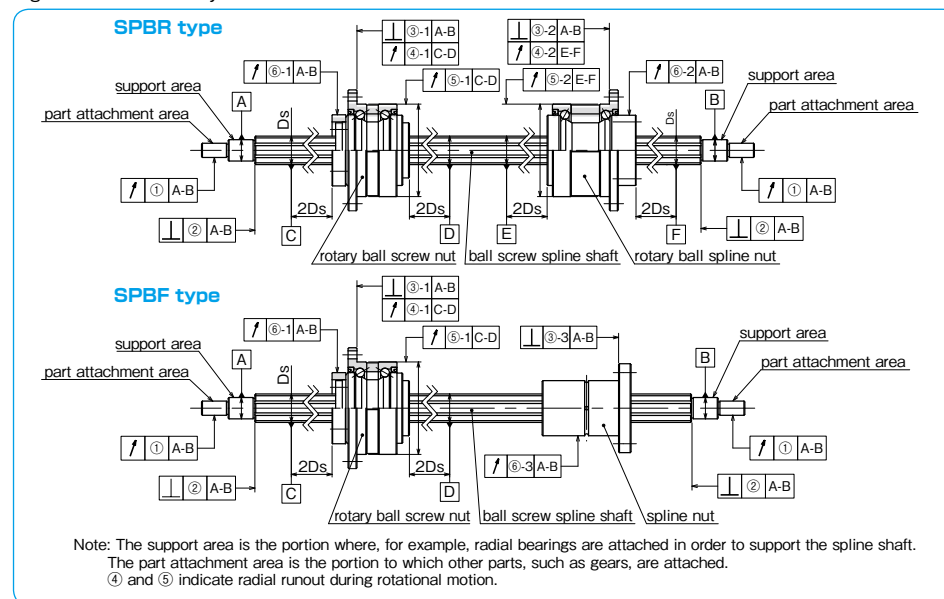


Table B-34 Tolerance of Spline Shaft Groove Torsion (Max.)

tolerance
13 $\mu$ m/100mm

The groove torsion is indicated per 100mm, arbitrarily set within the effective length of the spline shaft section.

Table B-35 Grade of Ball Screw Groove

tolerance
C5
Applied to lead angle accuracy only

Table B-36 Tolerance Relative to Spline Support Area (Max.)

unit:  $\mu$ m

part number	① radial runout of part attachment area	② perpendicularity of the end of the spline shaft section (when grinding is requested on the drawing)	③ perpendicularity of the flange		
			③-1	③-2	③-3
SPBR16,SPBF16	19	11	16	18	13
SPBR20,SPBF20					
SPBR25,SPBF25	22	13	18	21	16

Table B-37 Radial Runout of Outer Surface of Rotary Spline Nut Relative to Spline Shaft Area (Max.) unit:  $\mu$ m

part number	④ lateral runout of flange mounting side		⑤ radial runout of outer ring	
	④-1	④-2	⑤-1	⑤-2
SPBR16	8	8	9	9
SPBR20			10	10
SPBR25				

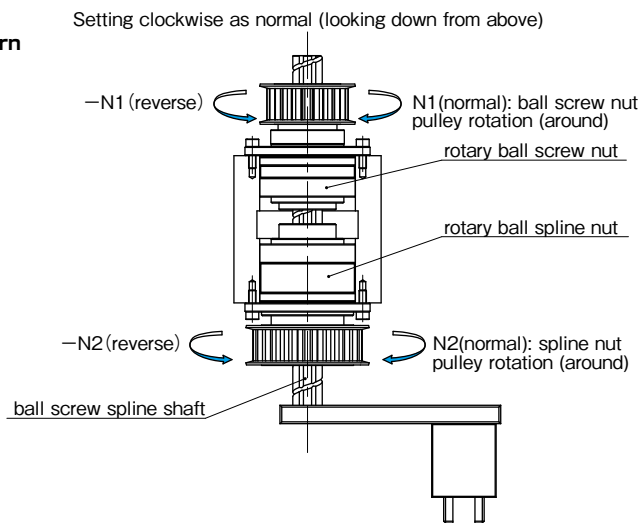
Table B-38 Radial Runout of Spline Nut Relative to Spline Support Area (Max.) unit:  $\mu$ m

ball screw spline shaft total length (mm)	part number:SPBR,SPBF				
	⑥-1		⑥-2,-3		
greater than	or less	16	20,25	16	20,25
—	200	40	35	18	18
200	315	45	40	25	21
315	400	55	45	31	25
400	500	60	50	38	29
500	630	75	60	46	34
630	800	90	70	58	42
800	1,000	—	85	—	52

**SPBR TYPE MOTION PATTERN**

One set of SPBR type can handle linear, rotational, and spiral motion.

**SPBR type Motion Pattern**



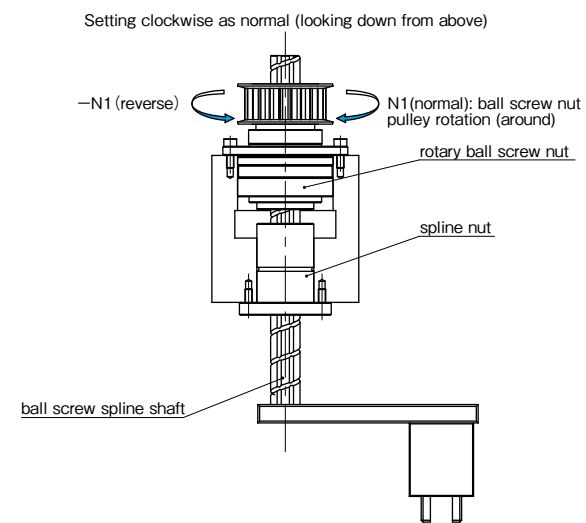
motion	input		motion direction	output		
	ball screw nut	spline nut		travel distance (linear direction)	revolution (rotational direction)	
	N <sub>1</sub> (normal)	0	①	L=N <sub>1</sub> ·R (up)	0	
	-N <sub>1</sub> (reverse)	0	②	L=-N <sub>1</sub> ·R (down)	0	
	N <sub>1</sub> =N <sub>2</sub> (normal) (normal)		①	0	N <sub>2</sub> (normal)	
	-N <sub>1</sub> =-N <sub>2</sub> (reverse) (reverse)		②	0	-N <sub>2</sub> (reverse)	
	0	N <sub>2</sub> (normal)	①	L=N <sub>2</sub> ·R (down)	N <sub>2</sub> (normal)	
	0	-N <sub>2</sub> (reverse)	②	L=-N <sub>2</sub> ·R (up)	-N <sub>2</sub> (reverse)	
	N <sub>1</sub> (normal)	N <sub>2</sub> (normal)	①	L=(N <sub>2</sub> - (±N <sub>1</sub> ))·R	in case of N <sub>2</sub> - (±N <sub>1</sub> )>0 (down)	N <sub>2</sub> (normal)
			④		in case of N <sub>2</sub> - (±N <sub>1</sub> )<0 (up)	
-N <sub>1</sub> (reverse)	-N <sub>2</sub> (reverse)	③	L=(-N <sub>2</sub> - (±N <sub>1</sub> ))·R	in case of -N <sub>2</sub> - (±N <sub>1</sub> )>0 (down)	-N <sub>2</sub> (reverse)	
		②		in case of -N <sub>2</sub> - (±N <sub>1</sub> )<0 (up)		

L : travel distance [mm] R : ball screw lead [mm] N<sub>1</sub> : ball screw nut pulley rotation (around) N<sub>2</sub> : ball spline nut pulley rotation (around)

**SPBF TYPE MOTION PATTERN**

SPBF type can handle linear motion.

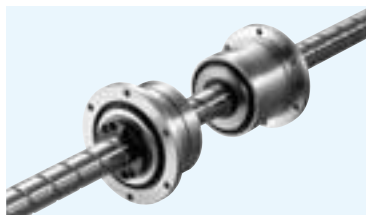
**SPBF type Motion Pattern**



motion	input		motion direction	output	
	ball screw nut	spline nut		travel distance (linear direction)	revolution (rotational direction)
	N <sub>1</sub> (normal)	0	①	L=N <sub>1</sub> ·R (up)	0
	-N <sub>1</sub> (reverse)	0	②	L=-N <sub>1</sub> ·R (down)	0

L : travel distance [mm] R : ball screw lead [mm] N<sub>1</sub> : ball screw nut pulley rotation (around)

# SPBR TYPE



## part number structure

example **SPBR 16 - 300 / CU**

SPBR type

with special specification

nominal diameter

ball screw spline shaft total length

Note: retainer material is resin.

## ROTARY BALL SCREW NUT

part number	major dimensions										major dimensions of angular contact bearings							
	D <sub>1</sub>	h7	D <sub>2</sub>	H7	L <sub>1</sub>	P <sub>1</sub>	θ	S <sub>1</sub>	f <sub>1</sub>	T <sub>e</sub>	D <sub>3</sub>	D <sub>4</sub>	H <sub>1</sub>	B <sub>1</sub>	B <sub>2</sub>	P <sub>2</sub>	d <sub>1</sub>	
	mm	μm	mm	tolerance μm	mm	P.C.D. mm	°	mm	mm	mm	mm	μm	mm	mm	mm	P.C.D. mm	mm	
<b>SPBR16</b>	40	0	32		43.5	25	40°	M4	12	2	52	0	68	5	27.5	9	60	4.5
<b>SPBR20</b>	50	-25	39	+25	54	31	40°	M5	16	2	62	-7	78	6	34	11	70	4.5
<b>SPBR25</b>	58	0/-30	47	0	65	38	40°	M6	19	3	72		92	8	43	12.5	81	5.5

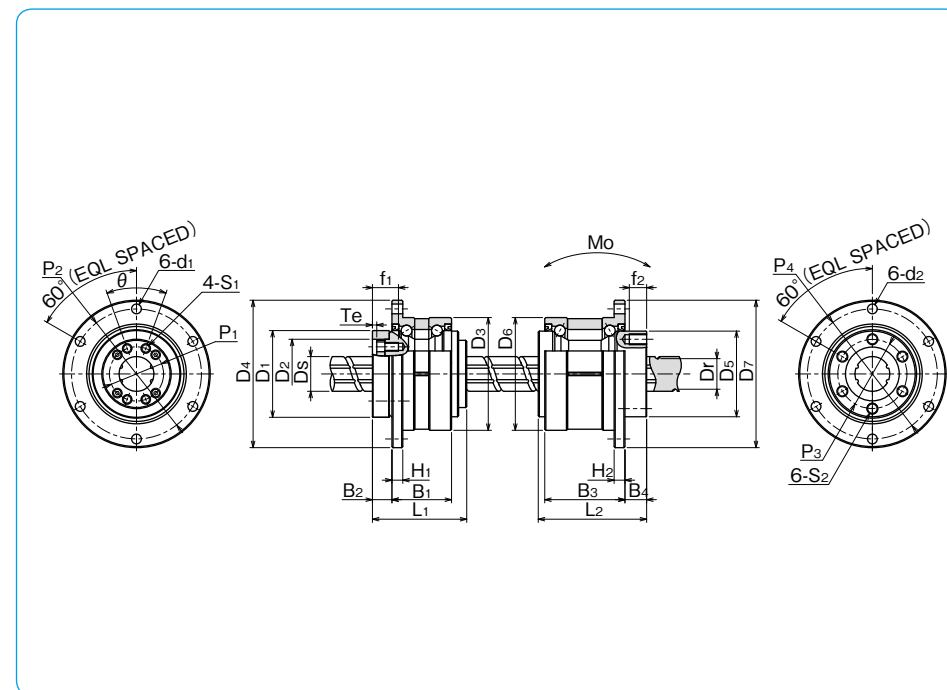
## ROTARY BALL SPLINE NUT

part number	major dimensions						major dimensions of angular contact bearings							
	D <sub>5</sub>	h7	L <sub>2</sub>	P <sub>3</sub>	S <sub>2</sub>	f <sub>2</sub>	D <sub>6</sub>	D <sub>7</sub>	H <sub>2</sub>	B <sub>3</sub>	B <sub>4</sub>	P <sub>4</sub>	d <sub>2</sub>	
	mm	tolerance μm	mm	P.C.D. mm	mm	mm	mm	μm	mm	mm	mm	P.C.D. mm	mm	
<b>SPBR16</b>	39.5	0	50	32	M5	8	52	0	68	5	37	10	60	4.5
<b>SPBR20</b>	43.5	-25	63	36	M5	8	56	-7	72	6	48	12	64	4.5
<b>SPBR25</b>	53	0/-30	71	45	M6	8	62		78	6	55	13	70	4.5

\*Please select the smallest maximum revolutions (rpm) in case that more than one portion rotate at the same time.

※Maximum revolutions for grease lubrication.

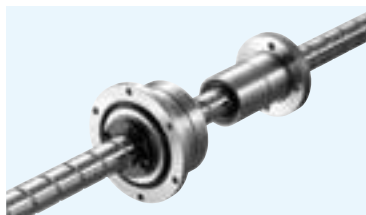
\*Moment of inertia is calculated excluding the angular contact bearings.



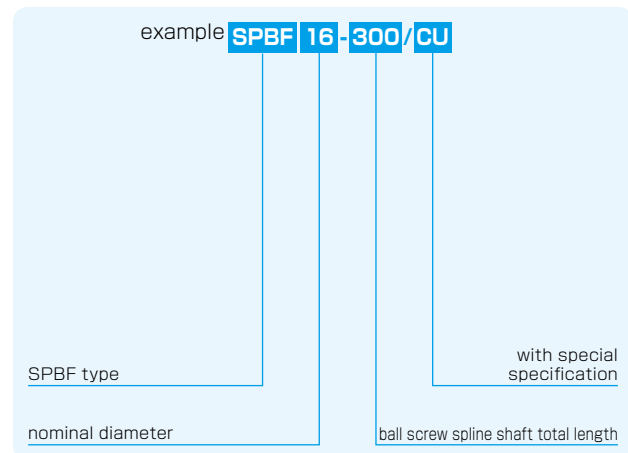
ball screw spline shaft D <sub>s</sub>	lead	root diameter D <sub>r</sub>	ball screw basic load rating		angular contact bearings basic load rating		moment of inertia for the nut	moment of inertia for the ball screw shaft	mass		ball screw nut maximum revolutions based on D <sub>m</sub> ·N rpm	size	
			dynamic Ca	static Coa	dynamic Ca <sub>R</sub>	static Coa <sub>R</sub>			nut	shaft			
			kN	kN	kN	kN			kg	kg/m			
16	16	13.4	4.62	8.59	11.1	22.2	4,000	0.60	4.43×10 <sup>-4</sup>	0.45	1.47	4,179	16
20	20	17.2	5.77	12.2	14.4	30.5	3,200	1.75	1.12×10 <sup>-3</sup>	0.76	2.33	3,414	20
25	25	21.9	8.62	19.2	18.2	39.8	2,800	3.86	2.74×10 <sup>-3</sup>	1.26	3.65	2,692	25

ball spline				angular contact bearings			allowable static moment Mo	moment of inertia	mass nut
basic torque rating dynamic C <sub>T</sub>	static Co <sub>T</sub>	basic load rating dynamic C	static Co	dynamic C <sub>R</sub>	static Co <sub>R</sub>	maximum revolutions			
N·m	N·m	kN	kN	kN	kN	rpm	N·m	kg·cm <sup>2</sup>	kg
60	110	6.12	11.2	13.0	12.8	4,000	46	0.63	0.51
105	194	8.9	16.3	17.4	17.2	3,600	110	1.10	0.70
189	346	12.8	23.4	22.1	22.5	3,200	171	2.14	0.91

# SPBF TYPE



## part number structure



## ROTARY BALL SCREW NUT

part number	major dimensions										major dimensions of angular contact bearings						
	D <sub>1</sub> mm	h7 μm	D <sub>2</sub> mm	H7 tolerance μm	L <sub>1</sub> mm	P <sub>1</sub> P.C.D. mm	θ	S <sub>1</sub>	f <sub>1</sub> mm	T <sub>e</sub> mm	D <sub>3</sub> mm	D <sub>4</sub> mm	H <sub>1</sub> mm	B <sub>1</sub> mm	B <sub>2</sub> mm	P <sub>2</sub> P.C.D. mm	d <sub>1</sub> mm
<b>SPBF16</b>	40	0	32	+25 0	43.5	25	40°	M4	12	2	52	68	5	27.5	9	60	4.5
<b>SPBF20</b>	50	-25	39	0	54	31	40°	M5	16	2	62	78	6	34	11	70	4.5
<b>SPBF25</b>	58	0/-30	47	0	65	38	40°	M6	19	3	72	92	8	43	12.5	81	5.5

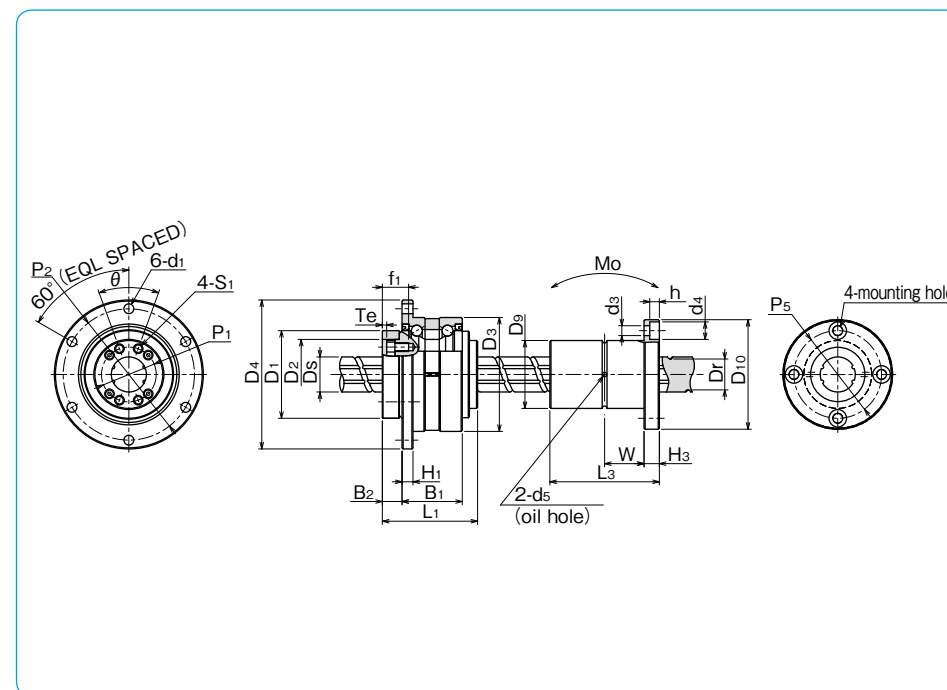
## ROTARY BALL SPLINE NUT

part number	major dimensions							
	D <sub>9</sub> mm	h6 tolerance μm	L <sub>3</sub> mm	D <sub>10</sub> mm	H <sub>3</sub> mm	P <sub>5</sub> P.C.D. mm	d <sub>3</sub> ×d <sub>4</sub> ×h mm	
<b>SPBF16</b>	31	0	50	50	7	40	4.5×8×4.4	
<b>SPBF20</b>	35	-16	63	58	9	45	5.5×9.5×5.4	
<b>SPBF25</b>	42	-16	71	65	9	52	5.5×9.5×5.4	

•Please select the smallest maximum revolutions (rpm) in case that more than one portion rotate at the same time.

※Maximum revolutions for grease lubrication.

•Moment of inertia is calculated excluding the angular contact bearings.



ball screw spline shaft D <sub>s</sub> mm	lead mm	root diameter D <sub>r</sub> mm	ball screw basic load rating		angular contact bearings basic load rating		bearings * maximum revolutions rpm	moment of inertia for the nut kg·cm <sup>2</sup>	moment of inertia for the ball screw shaft kg·cm <sup>2</sup> /mm	mass		ball screw nut maximum revolutions based on D <sub>m</sub> ·N rpm	size
			dynamic C <sub>a</sub> kN	static C <sub>oa</sub> kN	dynamic C <sub>aR</sub> kN	static C <sub>oaR</sub> kN				nut kg	shaft kg/m		
16	16	13.4	4.62	8.59	11.1	22.2	4,000	0.60	4.43×10 <sup>-4</sup>	0.45	1.47	4,179	16
20	20	17.2	5.77	12.2	14.4	30.5	3,200	1.75	1.12×10 <sup>-3</sup>	0.76	2.33	3,414	20
25	25	21.9	8.62	19.2	18.2	39.8	2,800	3.86	2.74×10 <sup>-3</sup>	1.26	3.65	2,692	25

W mm	d <sub>5</sub> mm	basic torque rating		basic load rating		allowable static moment M <sub>o</sub> N·m	moment of inertia kg·cm <sup>2</sup>	mass nut kg
		dynamic C <sub>T</sub> N·m	static C <sub>oT</sub> N·m	dynamic C kN	static C <sub>o</sub> kN			
18	2	60	110	6.12	11.2	46	0.52	0.2
22.5	2	105	194	8.9	16.3	110	1.11	0.33
26.5	3	189	346	12.8	23.4	171	2.01	0.45

# SLIDE BUSH

## SLIDE BUSH

STRUCTURE AND ADVANTAGES	C-2
TYPES	C-3
BLOCK SERIES	C-6
SPECIFICATIONS	C-7
LIFE CALCULATION	C-7
LOAD RATING FOR OPEN TYPE SLIDE BUSH	C-8
MOUNTING	C-8
LUBRICATION	C-10
DUST PREVENTION	C-10
COUNTERMEASURE FOR DUST PREVENTION	C-11
FIT SERIES	C-11
SURFACE TREATMENT ANTIRUST EFFECT	C-12
SPECIAL SPECIFICATIONS	C-12
ACCURACY OF CE·CD TYPE	C-12
USE AND HANDLING PRECAUTIONS	C-13
NOTES ON USAGE OF BLOCK SERIES	C-13
DIMENSION TABLE	C-14~

# SLIDE BUSH

The NB slide bush is a linear motion mechanism utilizing the rotational motion of ball elements. Since linear motion is obtained using a simple mechanism, the slide bush can be used in a wide variety of applications, including transportation equipment, food processing equipment, and semiconductor manufacturing equipment.

## STRUCTURE AND ADVANTAGES

The outer cylinder of slide bush contains a ball retainer that is perfectly designed to control the circulation of ball elements, resulting in smooth linear motion.

### Compact Mechanism

The NB slide bush uses a round shaft for the guiding axis, resulting in space-saving, which allows for compact designs.

### A Wide Variety of Shapes and Installation Methods

The NB slide bush is available in various types, standard, clearance-adjustable, open, flange, etc., for a various applications.

### Selection According to Environment

NB slide bushes are available in standard and anti-corrosion types. Available options include steel-retainer suitable for use in harsh environments and resin retainer for low acoustic, low-cost requirement. Other options can be specified according to the application requirements.

### Compatibility

The NB slide bush is fully compatible with a variety of shaft types.

### Doublelip-Seal

Doublelip-seals reduce the grease leakage, keeping the same function as UU seals which prevent the foreign particles from entering the bush. (see page C-7)

### Low Friction

The raceway surface is precision ground. Since the contact surface between the ball elements and the raceway surface is minimized, the NB slide bush provides low friction compared to other linear motion mechanisms.

### GM Series

The GM slide bush makes efficient use of resin sub-parts making it possible to achieve an overall weight reduction of 30~50% compared with the SM slide bush. The ball return section is made of resin material, which serves for low noise operation. Also, cost-effectiveness expands the use of slide bush in many applications.

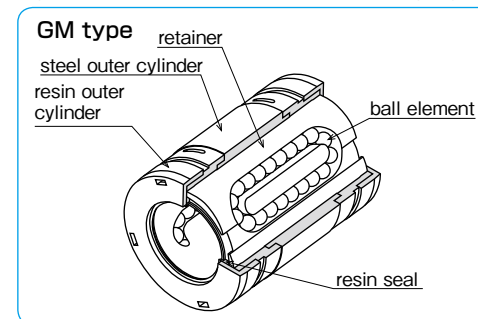
### Block Type Series

Block type series is a unit of NB slide bush and a block type housing. A variety of block types are available such as precision-machined blocks, resin-made blocks, and cost-effective units, each contributes to higher accuracy, light-weight, and low-cost and design-time saving, respectively.

### FIT Series

FIT series is a combination of NB slide bush and precision-machined shaft. The best-fit between slide bush and shaft achieves a smooth, high-accuracy performance meeting the customer requirements. (see page F-24)

Figure C-2 Basic Structure of NB Slide Bush (GM)



## TYPES

Table C-1 Type (1)

type		standard	anti-corrosion	page
standard type		<b>SM</b>	<b>SMS</b>	C- 14
		<b>KB</b>	<b>KBS</b>	C- 78
		<b>SW</b>	<b>SWS</b>	C- 98
clearance-adjustable (AJ) type		<b>SM-AJ</b>	<b>SMS-AJ</b>	C- 16
		<b>KB-AJ</b>	<b>KBS-AJ</b>	C- 80
		<b>SW-AJ</b>	<b>SWS-AJ</b>	C-100
open (OP) type		<b>SM-OP</b>	<b>SMS-OP</b>	C- 18
		<b>KB-OP</b>	<b>KBS-OP</b>	C- 82
		<b>SW-OP</b>	<b>SWS-OP</b>	C-102
long type		<b>SM-G-L</b>	—	C- 20
double-wide type		<b>SM-W</b>	<b>SMS-W</b>	C- 22
		<b>KB-W</b>	<b>KBS-W</b>	C- 84
		<b>SW-W</b>	<b>SWS-W</b>	C-104

Figure C-1 Basic Structure of NB Slide Bush (SM, KB, SW)

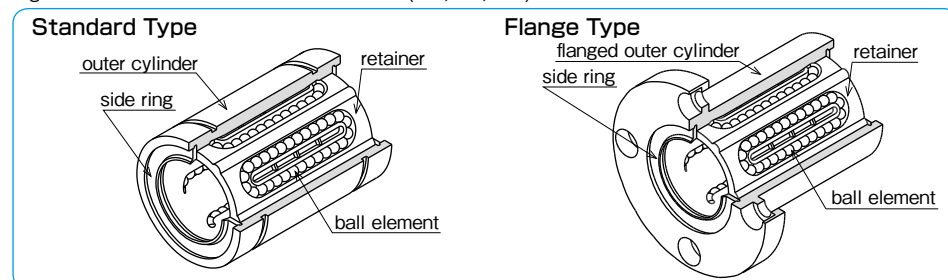


Table C-2 Type (2)

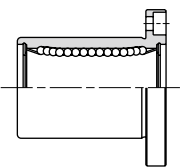
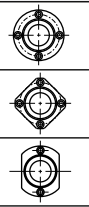

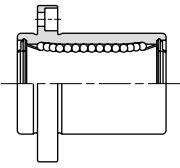
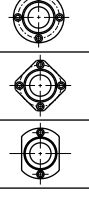
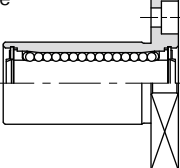
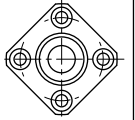
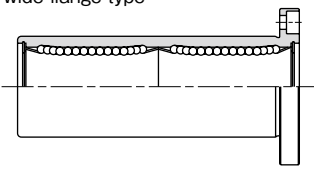
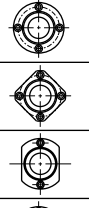

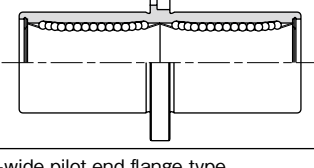
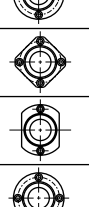
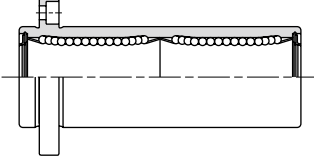
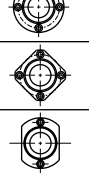
type		standard	anti-corrosion	page
flange type 		<b>SMF</b>	<b>SMSF</b>	C- 24
		<b>KBF</b>	<b>KBSF</b>	C- 86
		<b>SWF</b>	<b>SWSF</b>	C-106
		<b>SMK</b>	<b>SMSK</b>	C- 26
		<b>KBK</b>	<b>KBSK</b>	C- 88
		<b>SWK</b>	<b>SWSK</b>	C-108
		<b>SMT</b>	<b>SMST</b>	C- 28
flange type with pilot end 		<b>SMF-E</b>	<b>SMSF-E</b>	C- 30
		<b>SMK-E</b>	<b>SMSK-E</b>	C- 32
		<b>SMT-E</b>	<b>SMST-E</b>	C- 34
long flange type 		<b>SMK-G-L</b>	—	C- 36
double wide flange type 		<b>SMF-W</b>	<b>SMSF-W</b>	C- 38
		<b>KBF-W</b>	<b>KBSF-W</b>	C- 90
		<b>SWF-W</b>	<b>SWSF-W</b>	C-110
		<b>SMK-W</b>	<b>SMSK-W</b>	C- 40
		<b>KBK-W</b>	<b>KBSK-W</b>	C- 92
		<b>SWK-W</b>	<b>SWSK-W</b>	C-112
		<b>SMT-W</b>	<b>SMST-W</b>	C- 42
center mount flange type 		<b>SMFC</b>	<b>SMSFC</b>	C- 44
		<b>KBFC</b>	<b>KBSFC</b>	C- 94
		<b>SMKC</b>	<b>SMSKC</b>	C- 46
		<b>KBKC</b>	<b>KBSKC</b>	C- 96
		<b>SMTC</b>	<b>SMSTC</b>	C- 48
double-wide pilot end flange type 		<b>SMF-W-E</b>	<b>SMSF-W-E</b>	C- 50
		<b>SMK-W-E</b>	<b>SMSK-W-E</b>	C- 52
		<b>SMT-W-E</b>	<b>SMST-W-E</b>	C- 54

Table C-3 Type (3)

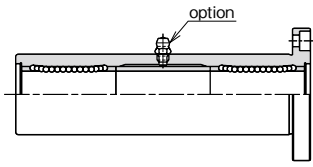
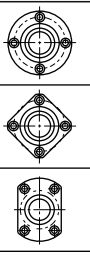
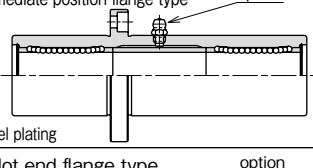
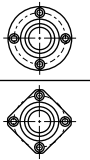
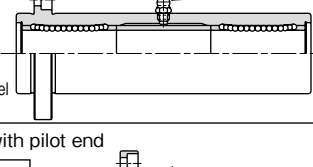
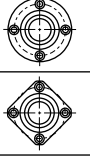
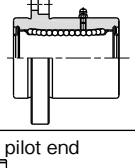
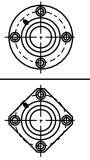
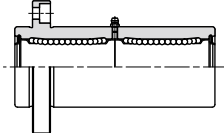
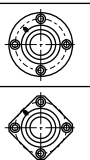
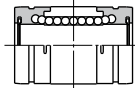
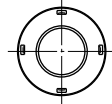
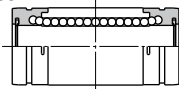
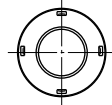
type		standard	page
triple wide flange type 		<b>TRF</b>	C- 56
		<b>TRK</b>	C- 58
		<b>TRT</b>	C- 60
※ Outer cylinder is treated with electroless nickel plating			
triple-wide intermediate position flange type 		<b>TRFC</b>	C- 62
		<b>TRKC</b>	C- 64
※ Outer cylinder is treated with electroless nickel plating			
triple-wide pilot end flange type 		<b>TRF-E</b>	C- 66
		<b>TRK-E</b>	C- 68
※ Outer cylinder is treated with electroless nickel plating			
flange type with pilot end 		<b>TQF-E</b>	C- 70
		<b>TQK-E</b>	C- 72
Grease fitting is standard			
double flange type with pilot end 		<b>TQF-W-E</b>	C- 74
		<b>TQK-W-E</b>	C- 76
Grease fitting is standard			

Table C-4 Type (4) GM Series

type		standard	page
GM/GW single type 		<b>GM</b>	C-114
		<b>GW</b>	C-116
GM double-wide type 		<b>GM-W</b>	C-115

**BLOCK SERIES**

**SMA·AK·SWA Type**

This type is the most commonly used standard type. The housing is made of aluminum alloy. The wide (W) type is also available for SMA and AK types.

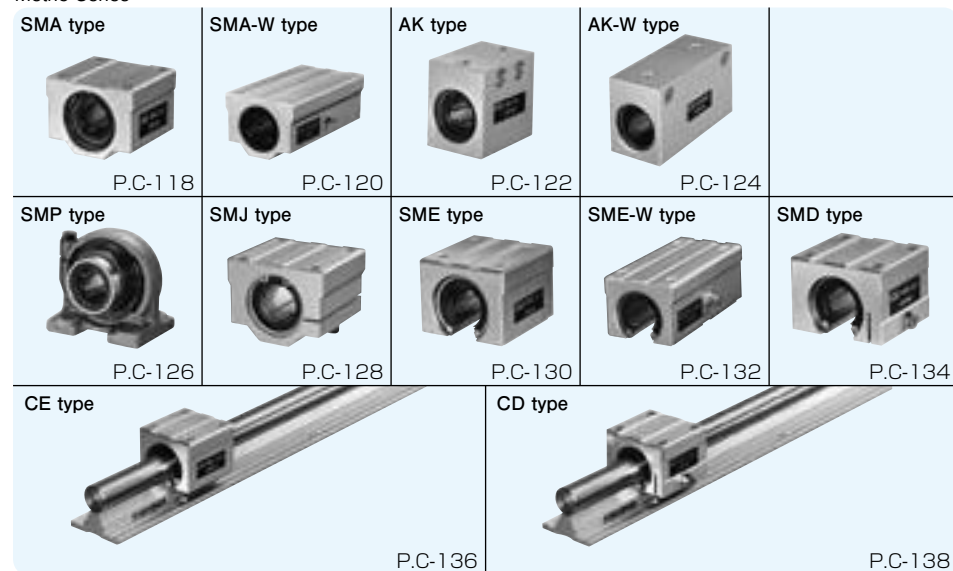
**SMJ · SWJ Type**

Clearance-adjustment is achieved by creating a slit on the SMA/SWA type housing. Less clearance between block and shaft results in higher positioning accuracy by tightening the adjustment screw.

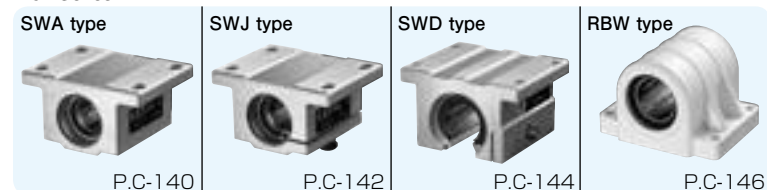
**RBW Type**

The housing is made of ABS resin for light-weight and low-cost. Inside is an inch sized bush of a resin retainer type with seals.

Metric Series



Inch Series



**SMP Type**

The housing has a self-aligning feature. This feature will absorb inaccuracy of the installation base so that a smooth movement is expected.

**SME·SMD·SWD Type**

Open type housing allows a support from below so that a deflection of the shaft is minimized for high loading or long-stroke applications. The wide(W) type is also available for SME type.

**CE·CD Type**

This type is a unit of block(s), shaft, and support rail that contributes to a total cost reduction. The maximum length is 2,000mm for the support rail and for the shaft the maximum length is 4,500mm.

**SPECIFICATIONS**

**Series**

The NB slide bush is available in three primary dimensional series, each with different dimensions and tolerances depending on the location of use. Please select the series that is most appropriate for your location.

**Allowable Load**

NB slide bushes are categorized into three functional types depending on the number and location of retainers: single, double, and triple. Table C-6 shows load ratings and static moment in comparison. The single type uses only one retainer, so when a moment load is to be applied, the double or triple type is recommended.

**Material**

The outer cylinder of standard type is made of bearing steel and the outer cylinder of anti-corrosion type is made of Martensitic stainless steel. The retainer is available in steel (stainless steel for anti-corrosion), and resin for low acoustic operation. The steel retainer is made of one plate (seamless type).

**LIFE CALCULATION**

Since ball elements are used as the rolling element in the NB slide bush, the following equation is used to calculate the travel life.

$$L = \left( \frac{f_H \cdot f_T \cdot f_C \cdot C}{f_W \cdot P} \right)^3 \cdot 50$$

L: rated life (km) f<sub>H</sub>: hardness coefficient  
 f<sub>T</sub>: temperature coefficient f<sub>C</sub>: contact coefficient  
 f<sub>W</sub>: applied load coefficient C: basic dynamic load rating (N)  
 P: applied load (N)  
 \*Refer to page Eng-5 for the coefficients.

Table C-5 Series and Use Location

series	location			
	Japan	Asia	Europe	North America
metric	SM	◎	◎	○
	GM	○	○	○
	KB	○	○	◎
inch	SW	○	○	◎
	GW	○	○	◎

◎ generally used ○ rarely used

Table C-6 Load Comparison

type	basic dynamic load rating	basic static load rating	allowable static moment
single	1	1	1
long	1.3	1.8	approx. 4
GM-W	1.6	2	approx. 4
SM double	1.6	2	approx. 6
triple	1.6	2	approx.21

\* The single type is designated as "1" for comparison purposes.

Table C-7 Operating Environment Temperature

material		temperature range
outer cylinder	retainer	
steel	steel	-20°C~110°C
	resin	-20°C~ 80°C
stainless	steel	-20°C~140°C*
	resin	-20°C~ 80°C

\* If a seal is used in the stainless steel slide bush, the temperature is up to 120°C. Please contact NB if a temperature range exceeds 140°C.

If the stroke distance and number of strokes per unit time are constant, the life time is calculated using the following equation.

$$L_h = \frac{L \cdot 10^3}{2 \cdot \ell_s \cdot n_1 \cdot 60}$$

L<sub>h</sub>: life time (hr) ℓ<sub>s</sub>: stroke length (m)  
 L: rated life (km) n<sub>1</sub>: number of cycles per minute (cpm)



LOAD RATING FOR OPEN TYPE SLIDE BUSH

For the open type slide bush an opening is provided to allow the shaft to be supported from underneath. In case a load is constantly applied in the direction of the opening (for example, being used with a vertical shaft or an overhang loading is applied), the load rating decreases due to less number of loaded rows of ball elements (Table C-8). Therefore, the load rating must be calibrated at the time of design based on the direction of the loading.

Table C-8 Direction of Load and Basic Static Load Rating

part number	SM10G~16G-OP KB10G~16G-OP SW 8G~10G-OP SME (D) 10G~16G CE (D) 16	SM20 (G) -OP KB20 (G) -OP SW12 (G) -OP SME (D) 20 CE (D) 20	SM25 (G) ~100-OP KB25 (G) ~80-OP SW16 (G) ~64-OP SME (D) 20 SME25~50 SMD25~30 CE (D) 25~30	SM120,150-OP
loading from above				
	C	C	C	C
loading from below				
	0.64C	0.54C	0.57C	0.35C

※ Excluding all the 3-row steel retainer types. Please contact NB in case of 3-row steel retainer.

MOUNTING

Examples of Mounting methods are shown in Figures C-3~6.

Figure C-3 Standard Type

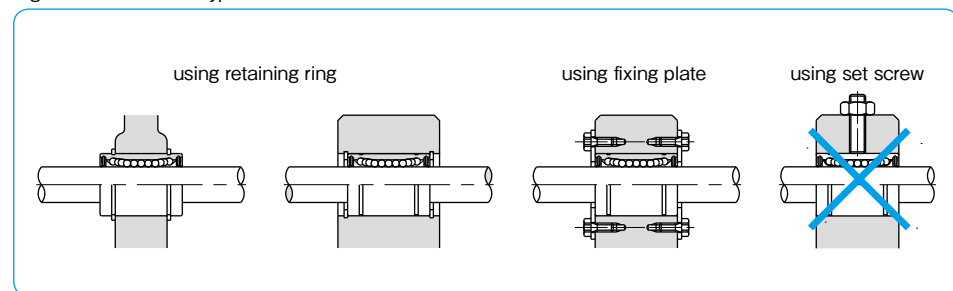


Figure C-4 Clearance Adjustable Type

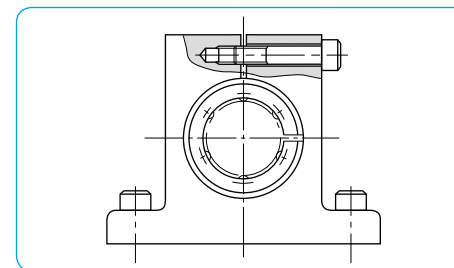


Figure C-5 Open Type

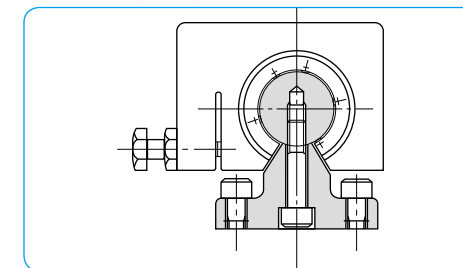
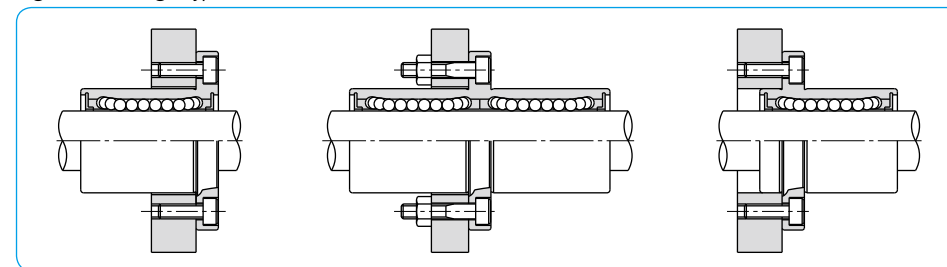


Figure C-6 Flange Type



Fit

The normal clearance fit listed in Table C-9 is generally selected as a shaft outer diameter tolerance for the NB slide bush. The transition fit is selected for a higher accuracy by reducing clearance between slide bush and shaft. Matching bush and shaft (FIT series) is also available for customer's specified clearance. Please be cautious not to apply excess preloading with clearance adjustable and open types. Please keep preloading within the maximum radial clearance listed in the dimension table. The flange-type bush is generally inserted into an installation bore, which is slightly larger than the outer cylinder. However, if the outer cylinder is used as the pilot, H7 tolerance is recommended for housing. The recommended clearances for the flange type are listed in Table C-10.

Table C-9 Recommended Fit

series	accuracy grade	shaft diameter		housing inner diameter	
		clearance fit	transition fit	clearance fit	transition fit
SM	high	g6	h6	H7	J7
	precision(P)	g5	h5	H6	J6
SM-G-L	high	g6	—	H7	—
SM-W	high	g6	—	H7	—
KB	high	h6	j6	H7	J7
KB-W	high	h6	—	H7	—
SW	high	g6	h6	H7	J7
	precision(P)	g5	h5	H6	J6
SW-W	high	g6	—	H7	—
GM·GW	high	g6	h6	H7	—
GM-W	high	g6	—	H7	—

Table C-10 Recommended Fit (Flange Type)

series	shaft diameter	
	clearance fit	transition fit
SMF	g6	h6
SMK-G-L	g6	—
SMF-W	g6	—
TRF	g6	—
KBF	h6	j6
KBF-W	h6	—
SWF	g6	h6
SWF-W	g6	—

Notes on Shaft Selection:

In order to ensure a high accuracy motion of the bush, it is essential to select a high quality shaft. In selecting a shaft, please take note of:  
 Hardness: 58HRC or more (refer to hardness coefficient on page Eng-5) recommended  
 Surface Roughness: less than Ra0.4 recommended

## LUBRICATION

It is important to lubricate the slide bush for an accurate operation and for a long life. Anti-rust oil is applied to NB slide bush prior to shipment. The NB selected anti-rust oil has a little effect on the lubricant, however, please apply lubricant after cleaning the slide bush by, for example, kerosene, etc.

### Grease Lubricant

Prior to usage, please apply grease, then re-lubricate periodically according to the operating conditions. (Lithium soap-based grease is recommended.) Re-lubrication can be done by directly applying grease inside the ball bush or by using a grease fitting as Figure C-7 shows.

A special low dust generating grease is optional for clean room application, please refer to page Eng-39.

### Oil Lubricant

Prior to usage, please apply oil directly to the shaft surface or by using an oil hole as Figure C-8 shows. Turbine oil (ISO standard VG32-68) is recommended.

Oil holes can be machined (see Figure C-8) in the center portion of the outer cylinder. Please contact NB for oil hole specification.

Figure C-7 Grease Fitting

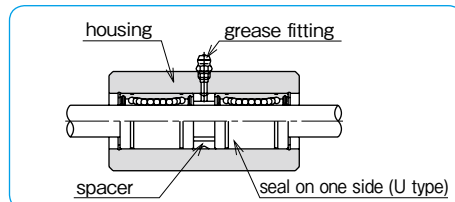
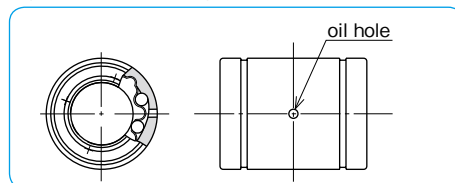


Figure C-8 Oil Hole -Specification-



## DUST PREVENTION

### Seal

The seals prevent dust from entering the slide bush in order to retain the motion accuracy, resulting in a long life time. The UU type is a standard option that has seals on both sides. The U type has a seal on one side only and is available for the standard, clearance adjustable, and open types. Nitril rubber, which has low wear and good sealing characteristics, is used as the seal material.

\* Resin seals are used for GM and GW series.

### Doublelip-Seal

A doublelip-seal is a combination of outside lip-seal and inside lip-seal. Outside lip-seal prevents foreign particles from entering the bush and inside lip-seal prevents grease from leaking out of the bush.

By the doublelip-seal, the seal resistance shall be increased by some margin. Applicable Part Number: SM(S) 6 to 30, TRF 6 to 30.

Please refer to the dimension table for seal option.

### Fluororubber Seal

For a high temperature application, fluororubber seals are available on the SM series size 3 to 30. Please contact NB for details.

Figure C-9 Seal Profile

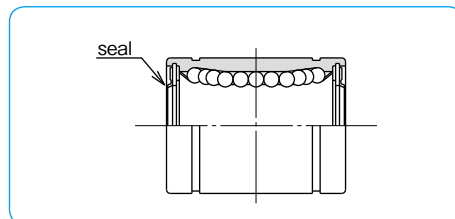
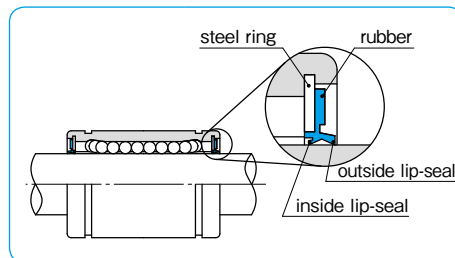


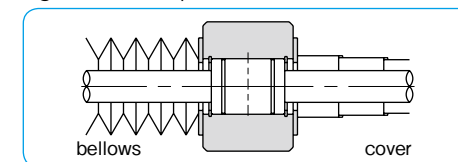
Figure C-10 Doublelip-Seal



## COUNTERMEASURE FOR DUST PREVENTION

A smooth ball circulation is hindered by dust or foreign particles inside the slide bush. Seals on both sides is a standard option for the NB slide bush, however, in a harsh environment it is necessary to attach bellows or protective covers.

Figure C-11 Example of Dust Prevention



## Felt Seal ( Except Flange Type)

A felt seal FLM strengthens lubrication characteristics and extends re-lubrication period of the NB slide bush. The felt seal does not work as a retaining ring. Figure C-13 shows how to install the felt seal.

Figure C-12 Felt Seal

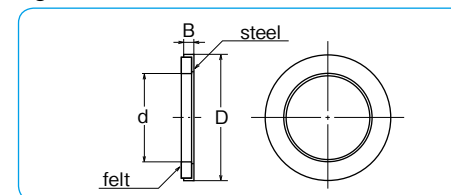


Figure C-13 Example of Felt Seal Installation

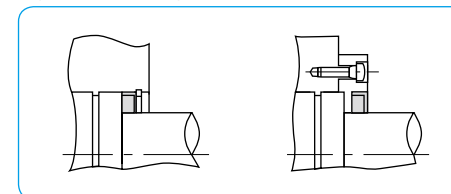


Table C-11

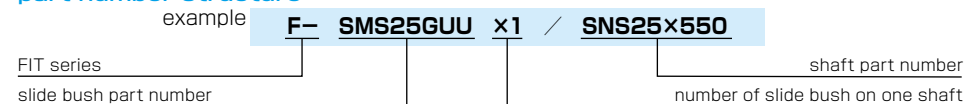
part number	major dimensions(mm)			applicable slide bush
	d	D	B	
FLM 6	6	12	2	SM 6 / GM 6
FLM 8	8	15	2	SM 8 / GM 8
FLM 10	10	19	3	SM 10 / GM10
FLM 12	12	21	3	SM 12 / GM12
FLM 13	13	23	3	SM 13 / GM13
FLM 16	16	28	4	SM 16 / GM16
FLM 20	20	32	4	SM 20 / GM20
FLM 25	25	40	5	SM 25 / GM25
FLM 30	30	45	5	SM 30 / GM30
FLM 35	35	52	5	SM 35
FLM 40	40	60	5	SM 40
FLM 50	50	80	10	SM 50
FLM 60	60	90	10	SM 60
FLM 80	80	120	10	SM 80
FLM100	100	150	10	SM100

## FIT SERIES

Due to the combined tolerances of the bush's bore and the shaft's diameter, accuracy can be affected by clearance or increased dynamic friction caused by preloading.

NB's FIT Series takes advantages of the lower cost slide bush and the precision ground shaft to achieve a target clearance in order for the linear system to produce a smooth, high-accuracy performance.

### part number structure



- Please refer to corresponding catalog pages for details.
- Please specify on the drawing about the shaft machining, radial clearance, match-marking, etc.

**SURFACE TREATMENT AND ANTIRUST EFFECT**

In order to adapt various kinds of environment, NB provides flange bushes with surface treatment as a standard.

Table C-12 Surface Treatment

part number	surface treatment	anti-rust effect	color
SK	electroless nickel plating	◎	silver
LF	low temperature black chrome treatment with fluoride coating	⊙	black
SB	black oxide (excluding anti-corrosion type)	△	black
SC	industrial chrome plating	○	silver
standard	High-carbon chromium bearing steel ( without surface treatment)	—*2	silver
anti-corrosion	Martensite stainless steel (without surface treatment)	○	silver

◎:excellent ⊙:highly effective ○:effective △:mildly effective

\*1 : Please note that tolerance of bushes with surface treatment may be different from the tolerance in dimension table. Please contact NB for details of thickness of plating.

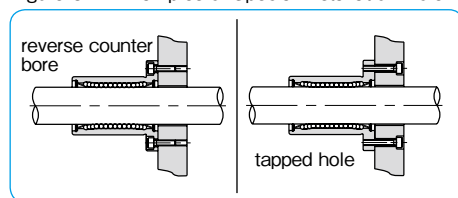
\*2 : In order to prevent corrosion, please do not leave de-greased standard bush without surface treatment.

**SPECIAL SPECIFICATIONS**

●Special Specifications

Please contact NB for more information on surface treatment, oil hole (Figure C-8), flange mounting hole (Figure C-14), etc.

Figure C-14 Examples of Special Installation Hole



**ACCURACY OF CE · CD TYPE**

The accuracy of CE · CD-type support rails are measured as shown in Figure C-15.

Figure C-15 Accuracy Measurement

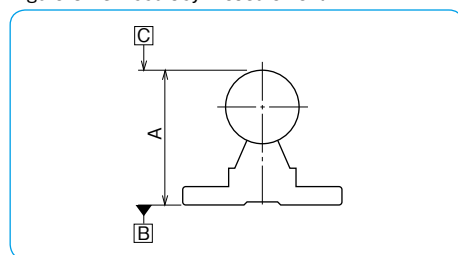
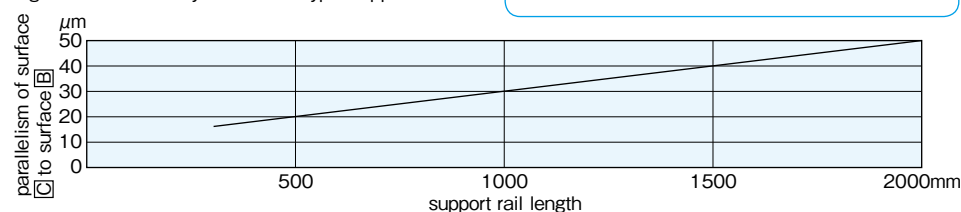


Figure C-16 Accuracy of CE · CD-type Support Rails



**USE AND HANDLING PRECAUTIONS**

The NB slide bush is a precision component, please handle with care to maintain its high motion accuracy.

The slide bush is designed for linear motion, so that for applications in which a combination of linear and rotational motion is a requirement, let us recommend Stroke Bush, Slide Rotary Bush, or Rotary Ball Spline.

**Notes on Installation**

When inserting a slide bush into a housing, carefully insert it by using a jig to apply a uniform pushing force at the end of the outer cylinder, as illustrated in Figure C-18. Motion performance may be diminished if an excessive force is applied to the resin portion of the outer cylinder, the side-ring, or the seal.

Ensure that all burrs are removed from the shaft and carefully install the bush by aligning it with the center of the bore. Excessive force may drop out the ball elements during insertion.

When two or more shafts are used, the parallelism of the shafts will greatly affect the motion characteristics and life of the slide bush. Please check the parallelism by moving the slide bush back and forth the length of stroke to check for freedom of movement before final fixing of the shaft.

Please refer to page F-3 for shaft specifications.

**GM Standard Type**

Please avoid a tension load when retaining rings are used for installation.

**NOTES ON USAGE OF BLOCK SERIES**

**Reference Surface**

The NB slide units have a reference surface as shown in Figure C-20. Accuracy is achieved by simply pushing the reference surface against the shoulder of the installation surface. (Excluding RBW and SMP types)

**Clearance Adjustment**

On the clearance adjustment type please avoid excessive preloading. In the same manner please do not apply excessive torque when tightening the screws.

**Mounting of RBW Type**

RBW type has a resin housing. Table C-13 shows proper torque values.

**Recommended Fit**

For clearance fit please use a shaft with g6 tolerance and for transition fit a shaft with h6 tolerance. (Excluding adjustable-clearance and open types)

**Special Installation Case of SMJ Type**

Special mounting holes will be required for installations such as Figure C-21 shows. Please contact NB for special requirements.

Figure C-17 Direction of Motion

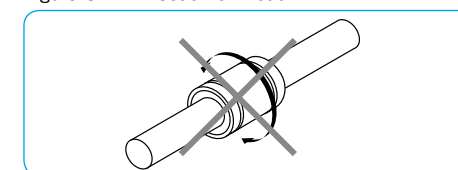


Figure C-18 Insertion of Slide Bush

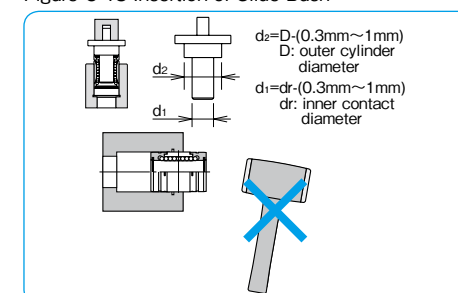


Figure C-19 Installation of GM Standard Type

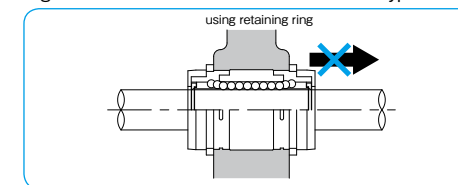


Figure C-20 Reference Surface

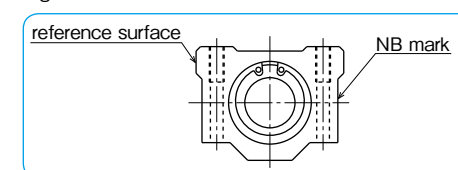
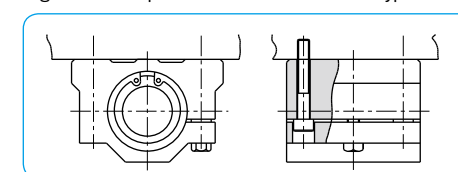


Table C-13 Recommended Torque for RBW Type

part number	mounting screw	torque N · m
RBW8	#6	1.3
RBW10,12	#8	1.9
RBW16	#10	5.2

Figure C-21 Special Installation of SMJ Type



# SM TYPE

– Standard Type –



## part number structure

example **SMS 25 G UU -P**

specification  
**SM:** standard  
**SMS:** anti-corrosion

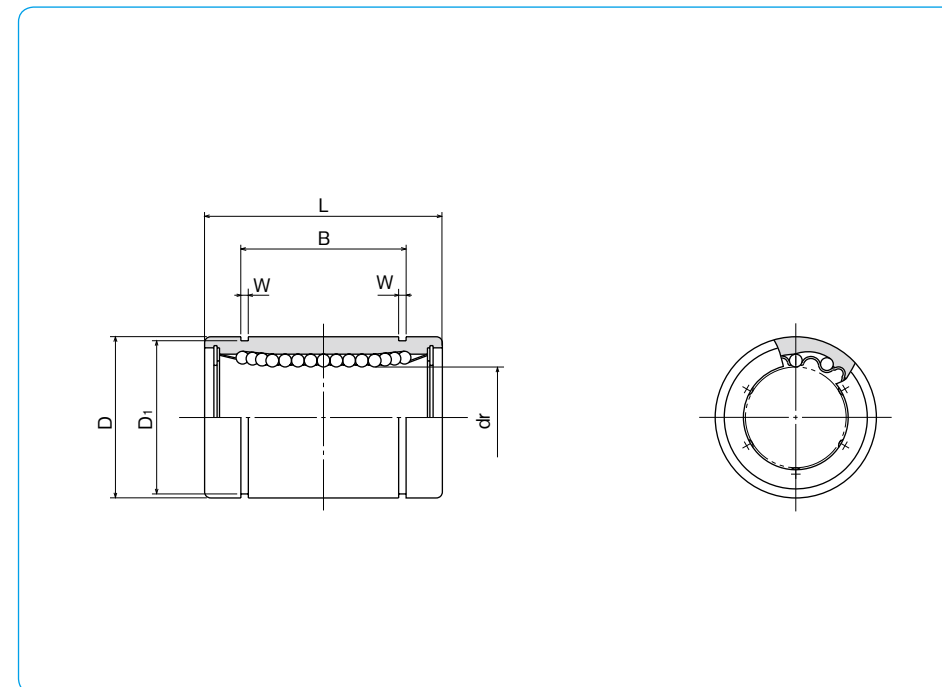
inner contact diameter (dr)

retainer material  
**blank:** standard/steel  
**G:** anti-corrosion/stainless steel  
**resin**

accuracy grade  
**blank:** high  
**P:** precision

seal  
**blank:** without seal  
**U:** seal on one side  
**UU:** seals on both sides  
**Z:** doublelip-seal on one side  
**ZZ:** doublelip-seals on both sides

Doublelip-seal is available for size 6 to 30.



part number				number of ball circuits	major dimensions				
standard		anti-corrosion			mm	dr tolerance $\mu\text{m}$		D tolerance $\mu\text{m}$	
steel retainer	resin retainer	stainless retainer	resin retainer			precision	high	mm	mm
SM 3	SM 3G	SMS 3	SMS 3G	4	3			7	0
SM 4	SM 4G	SMS 4	SMS 4G	4	4	0	0	8	0
SM 5	SM 5G	SMS 5	SMS 5G	4	5	-5	-8	10	-9
SM 6	SM 6G	SMS 6	SMS 6G	4	6			12	0
SM 8s	SM 8sG	SMS 8s	SMS 8sG	4	8			15	-11
SM 8	SM 8G	SMS 8	SMS 8G	4	8			15	
SM 10	SM10G	SMS10	SMS10G	4	10	0	0	19	0
SM 12	SM12G	SMS12	SMS12G	4	12	-6	-9	21	0
SM 13	SM13G	SMS13	SMS13G	4	13			23	-13
SM 16	SM16G	SMS16	SMS16G	4	16			28	
SM 20	SM20G	SMS20	SMS20G	5	20			32	0
SM 25	SM25G	SMS25	SMS25G	6	25	-7	-10	40	-16
SM 30	SM30G	SMS30	SMS30G	6	30			45	
SM 35	SM35G	SMS35	SMS35G	6	35			52	0
SM 40	SM40G	SMS40	SMS40G	6	40	0	0	60	0
SM 50	SM50G	SMS50	SMS50G	6	50	-8	-12	80	-19
SM 60	SM60G	SMS60	SMS60G	6	60	0	0	90	0
SM 80	SM80G	SMS80	SMS80G	6	80	-9	-15	120	-22
SM100	-	-	-	6	100	0	0	150	0
SM120	-	-	-	8	120	-10	-20	180	-25
SM150	-	-	-	8	150	0/-13	0/-25	210	0/-29

mm	L tolerance mm	B tolerance mm		W mm	D1 mm	eccentricity		radial clearance (maximum) $\mu\text{m}$	basic load rating		mass g	shaft diameter mm
		mm	mm			precision $\mu\text{m}$	high $\mu\text{m}$		C N	Co N		
10		-	-	-	-				69	105	1.4	3
12	0	-	-	-	-	4	8		88	127	2.0	4
15	-0.12	10.2		1.1	9.6			-3	167	206	4.0	5
19		13.5		1.1	11.5				206	265	8.5	6
17		11.5		1.1	14.3				176	216	11	8
24		17.5		1.1	14.3				274	392	17	8
29	0	22	0	1.3	18	8	12		372	549	36	10
30	-0.2	23	-0.2	1.3	20			-4	510	784	42	12
32		23		1.3	22				510	784	49	13
37		26.5		1.6	27				774	1,180	76	16
42		30.5		1.6	30.5			-6	882	1,370	100	20
59		41		1.85	38	10	15		980	1,570	240	25
64		44.5		1.85	43				1,570	2,740	270	30
70	0	49.5	0	2.1	49			-8	1,670	3,140	425	35
80	-0.3	60.5	-0.3	2.1	57	12	20	-10	2,160	4,020	654	40
100		74		2.6	76.5				3,820	7,940	1,700	50
110		85		3.15	86.5			-13	4,700	10,000	2,000	60
140		105.5		4.15	116	17	25		7,350	16,000	4,520	80
175	0	125.5	0	4.15	145			-20	14,100	34,800	8,600	100
200	-0.4	158.6	-0.4	4.15	175	20	30		16,400	40,000	15,000	120
240		170.6		5.15	204	25	40	-25	21,100	54,300	20,250	150

1N=0.102kgf

# SM-AJ TYPE

– Clearance Adjustable Type –



## part number structure

example **SMS 25 G UU -AJ**

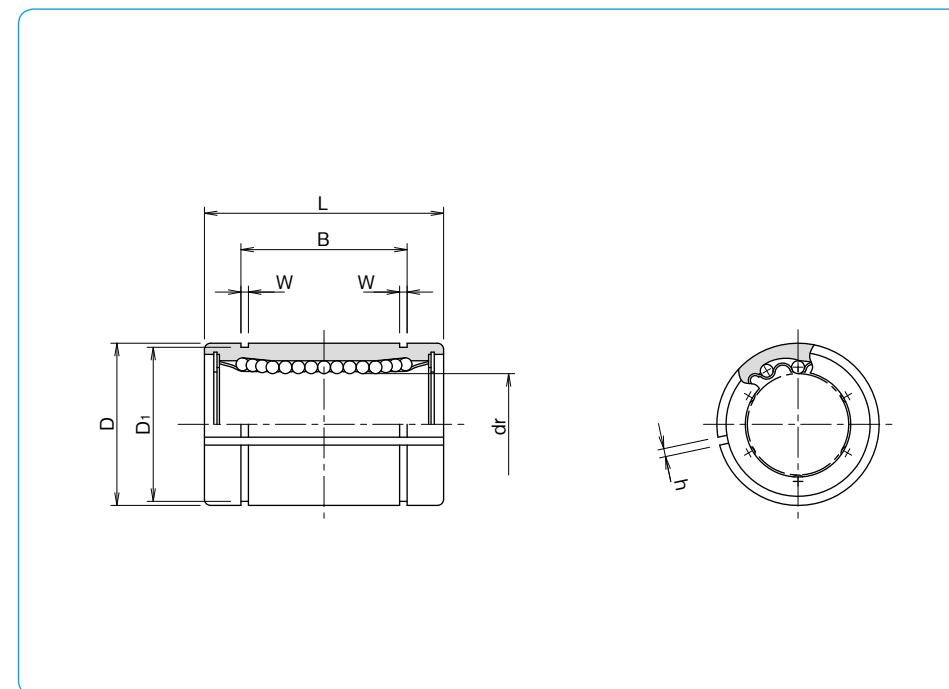
specification  
**SM:** standard  
**SMS:** anti-corrosion

inner contact diameter (dr)

retainer material  
**blank:** standard/steel  
**G:** anti-corrosion/stainless steel  
**U:** resin

clearance-adjustable

seal  
**blank:** without seal  
**U:** seal on one side  
**UU:** seals on both sides



part number		number of ball circuits	dr	major dimensions			
standard	anti-corrosion			D	D		
steel retainer	resin retainer	stainless retainer	resin retainer	mm	tolerance* μm	mm	tolerance* μm
—	SM 6G-AJ	—	SMS 6G-AJ	4	6	12	0
—	SM 8sG-AJ	—	SMS 8sG-AJ	4	8	15	-11
—	SM 8G-AJ	—	SMS 8G-AJ	4	8	15	0
—	SM10G-AJ	—	SMS10G-AJ	4	10	19	-9
SM 12-AJ	SM12G-AJ	SMS 12-AJ	SMS12G-AJ	4	12	21	0
SM 13-AJ	SM13G-AJ	SMS 13-AJ	SMS13G-AJ	4	13	23	-13
SM 16-AJ	SM16G-AJ	SMS 16-AJ	SMS16G-AJ	4	16	28	0
SM 20-AJ	SM20G-AJ	SMS20-AJ	SMS20G-AJ	5	20	32	0
SM 25-AJ	SM25G-AJ	SMS25-AJ	SMS25G-AJ	6	25	40	-16
SM 30-AJ	SM30G-AJ	SMS30-AJ	SMS30G-AJ	6	30	45	0
SM 35-AJ	SM35G-AJ	SMS35-AJ	SMS35G-AJ	6	35	52	0
SM 40-AJ	SM40G-AJ	SMS40-AJ	SMS40G-AJ	6	40	60	-19
SM 50-AJ	SM50G-AJ	SMS50-AJ	SMS50G-AJ	6	50	80	0
SM 60-AJ	SM60G-AJ	SMS60-AJ	SMS60G-AJ	6	60	90	0
SM 80-AJ	SM80G-AJ	—	—	6	80	120	-22
SM100-AJ	—	—	—	6	100	150	0
SM120-AJ	—	—	—	8	120	180	-25
SM150-AJ	—	—	—	8	150	210	0/-29

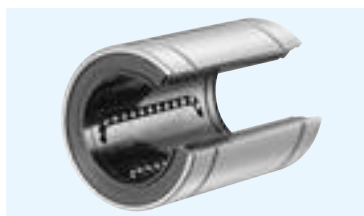
\* Accuracy is measured prior to machining clearance slit.

mm	L tolerance mm	B		W mm	D <sub>1</sub> mm	h mm	eccentricity* μm	basic load rating		mass g	shaft diameter mm
		mm	tolerance mm					dynamic C N	static Co N		
19	0 -0.2	13.5	0 -0.2	1.1	11.5	1	12	206	265	7.5	6
17		11.5		1.1	14.3	1		176	216	10	8
24		17.5		1.1	14.3	1		274	392	14.7	8
29		22		1.3	18	1		372	549	29	10
30		23		1.3	20	1.5		510	784	41	12
32		23		1.3	22	1.5		510	784	48	13
37	0 -0.3	26.5	0 -0.3	1.6	27	1.5	15	774	1,180	75	16
42		30.5		1.6	30.5	1.5		882	1,370	98	20
59		41		1.85	38	2		980	1,570	237	25
64		44.5		1.85	43	2.5		1,570	2,740	262	30
70		49.5		2.1	49	2.5		1,670	3,140	420	35
80		60.5		2.1	57	3		2,160	4,020	640	40
100	0 -0.4	74	0 -0.4	2.6	76.5	3	20	3,820	7,940	1,680	50
110		85		3.15	86.5	3		4,700	10,000	1,980	60
140		105.5		4.15	116	3		7,350	16,000	4,400	80
175		125.5		4.15	145	3		14,100	34,800	8,540	100
200		158.6		4.15	175	3		16,400	40,000	14,900	120
240		170.6		5.15	204	3		21,100	54,300	20,150	150

1N≒0.102kgf

# SM-OP TYPE

– Open Type –



## part number structure

example **SMS 25 G UU-OP**

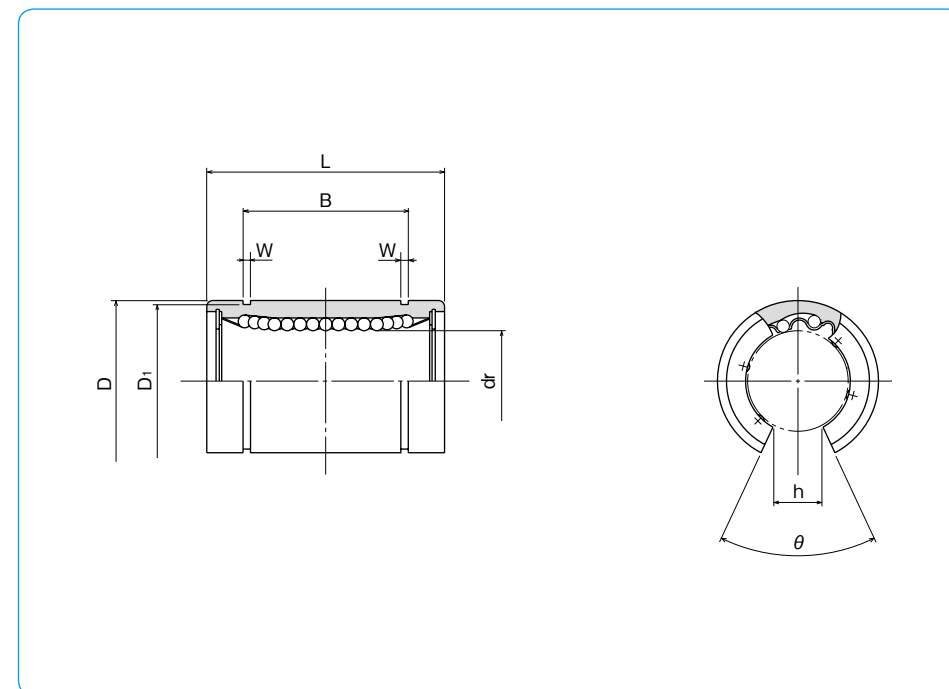
specification  
**SM:** standard  
**SMS:** anti-corrosion

inner contact diameter (dr)

retainer material  
**blank:** standard/steel  
 anti-corrosion/stainless steel  
**G:** resin

open type

seal  
**blank:** without seal  
**U:** seal on one side  
**UU:** seals on both sides



part number				number of ball circuits	major dimensions	
standard steel retainer	resin retainer	anti-corrosion stainless retainer	resin retainer		dr mm	D mm
–	<b>SM10G-OP</b>	–	<b>SMS10G-OP</b>	3	10	19
<b>SM 12-OP</b>	<b>SM12G-OP</b>	<b>SMS12-OP</b>	<b>SMS12G-OP</b>	3	12	21
<b>SM 13-OP</b>	<b>SM13G-OP</b>	<b>SMS13-OP</b>	<b>SMS13G-OP</b>	3	13	23
<b>SM 16-OP</b>	<b>SM16G-OP</b>	<b>SMS16-OP</b>	<b>SMS16G-OP</b>	3	16	28
<b>SM 20-OP</b>	<b>SM20G-OP</b>	<b>SMS20-OP</b>	<b>SMS20G-OP</b>	4	20	32
<b>SM 25-OP</b>	<b>SM25G-OP</b>	<b>SMS25-OP</b>	<b>SMS25G-OP</b>	5	25	40
<b>SM 30-OP</b>	<b>SM30G-OP</b>	<b>SMS30-OP</b>	<b>SMS30G-OP</b>	5	30	45
<b>SM 35-OP</b>	<b>SM35G-OP</b>	<b>SMS35-OP</b>	<b>SMS35G-OP</b>	5	35	52
<b>SM 40-OP</b>	<b>SM40G-OP</b>	<b>SMS40-OP</b>	<b>SMS40G-OP</b>	5	40	60
<b>SM 50-OP</b>	<b>SM50G-OP</b>	<b>SMS50-OP</b>	<b>SMS50G-OP</b>	5	50	80
<b>SM 60-OP</b>	<b>SM60G-OP</b>	<b>SMS60-OP</b>	<b>SMS60G-OP</b>	5	60	90
<b>SM 80-OP</b>	<b>SM80G-OP</b>	–	–	5	80	120
<b>SM100-OP</b>	–	–	–	5	100	150
<b>SM120-OP</b>	–	–	–	6	120	180
<b>SM150-OP</b>	–	–	–	6	150	210

\* Accuracy is measured prior to machining open slit.

mm	L tolerance mm	B tolerance mm		W mm	D1 mm	h mm	θ	eccentricity* μm	basic load rating		mass g	shaft diameter mm
		mm	mm						C N	Co N		
29	0 -0.2	22	0 -0.2	1.3	18	6.8	80°	12	372	549	23	10
30		23		1.3	20	8	80°		510	784	32	12
32		23		1.3	22	9	80°		510	784	37	13
37		26.5		1.6	27	11	80°		774	1,180	58	16
42		30.5		1.6	30.5	11	60°		882	1,370	79	20
59	0 -0.3	41	0 -0.3	1.85	38	12	50°	15	980	1,570	203	25
64		44.5		1.85	43	15	50°		1,570	2,740	228	30
70		49.5		2.1	49	17	50°		1,670	3,140	355	35
80		60.5		2.1	57	20	50°		2,160	4,020	546	40
100		74		2.6	76.5	25	50°		3,820	7,940	1,420	50
110	0 -0.4	85	0 -0.4	3.15	86.5	30	50°	25	4,700	10,000	1,650	60
140		105.5		4.15	116	40	50°		7,350	16,000	3,750	80
175		125.5		4.15	145	50	50°		14,100	34,800	7,200	100
200		158.6		4.15	175	85	80°		16,400	40,000	11,600	120
240		170.6		5.15	204	105	80°		21,100	54,300	15,700	150

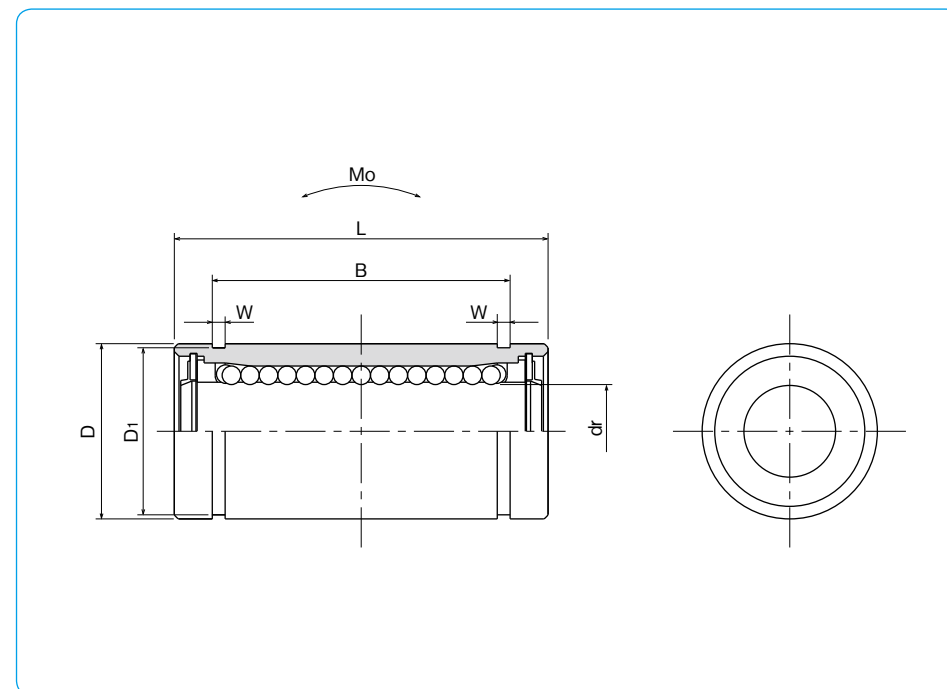
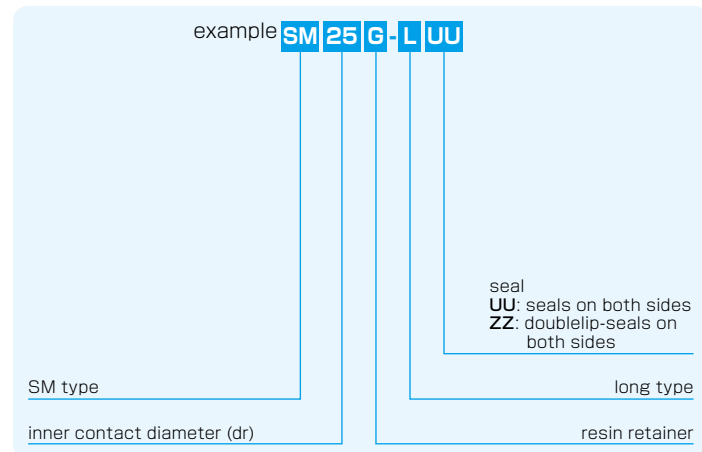
1N≐0.102kgf

# SM-G-L TYPE

– Long Type –



## part number structure



part number*	number of ball circuits	dr		D		major dimensions			
		mm	tolerance $\mu\text{m}$	mm	tolerance $\mu\text{m}$	mm	tolerance mm	mm	tolerance mm
SM 6G-LUU	4	6	0	12	0	26	0	20.5	-0.2
SM 8G-LUU	4	8		15	-13	32		25.5	
SM10G-LUU	4	10		19	0	39		32	
SM12G-LUU	4	12		21	0	41		34	
SM13G-LUU	4	13		23	-16	45		36	
SM16G-LUU	4	16		28	0	53		42	
SM20G-LUU	5	20	-12	32	0	59	47.5	0	
SM25G-LUU	6	25		40	-19	83	69		
SM30G-LUU	6	30		45	0	90	75		
									-0.3

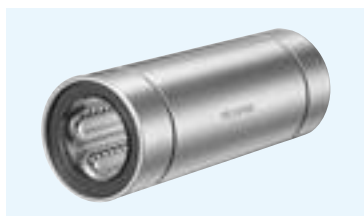
\* Seals-on-both-sides is standard.

W	D <sub>1</sub>	eccentricity	basic load rating		allowable static moment M <sub>0</sub> N · m	mass g	shaft diameter mm
			dynamic C N	static C <sub>0</sub> N			
1.1	11.5	15	262	476	1.15	10	6
1.1	14.3		352	615	1.94	19	8
1.3	18		493	1,000	3.98	38	10
1.3	20		637	1,430	6.26	43	12
1.3	22		682	1,560	7.68	62	13
1.6	27		1,039	2,350	13.2	99	16
1.6	30.5	20	1,160	2,740	17.9	125	20
1.85	38		1,300	2,960	27.2	315	25
1.85	43		2,160	5,880	61.3	347	30

1N ≅ 0.102kgf 1N · m ≅ 0.102kgf · m

# SM-W TYPE

– Double-Wide Type –



## part number structure

example **SMS 25 G W UU**

specification  
**SM:** standard  
**SMS:** anti-corrosion

inner contact diameter (dr)

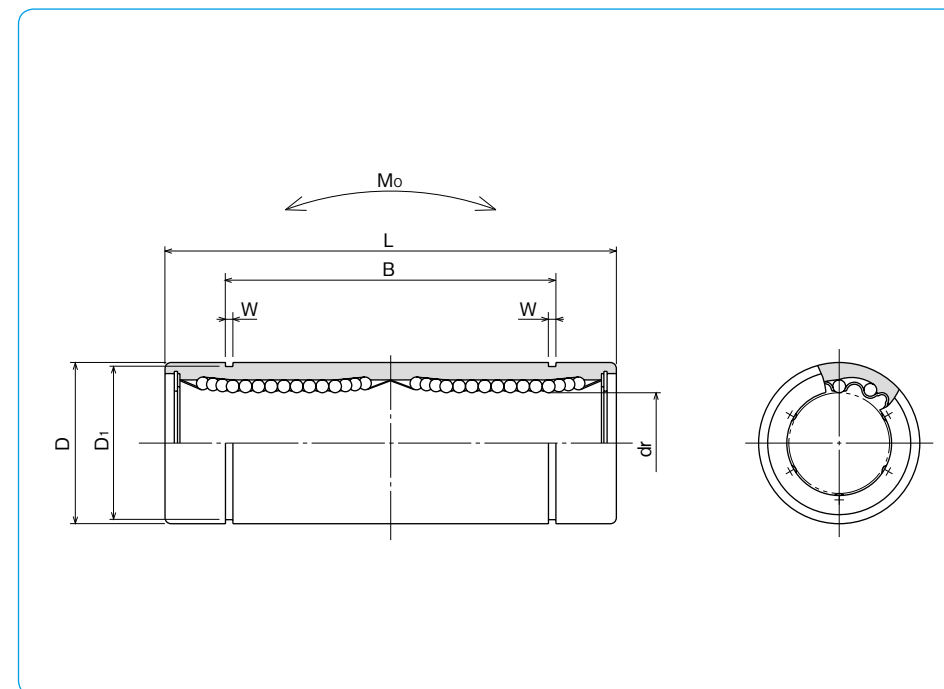
retainer material  
**blank:** standard/steel  
 anti-corrosion/stainless steel  
**G:** resin

seal  
**blank:** without seal  
**UU:** seals on both sides  
**ZZ:** doublelip-seals on both sides

double-wide type

Doublelip-seal is available for size 6 to 30.

part number				number of ball circuits	dr		major dimensions	
standard steel retainer	resin retainer	anti-corrosion stainless retainer	resin retainer		mm	tolerance $\mu\text{m}$	D mm	tolerance $\mu\text{m}$
SM 3W	SM 3GW	SMS 3W	SMS 3GW	4	3	0 -10	7	0
SM 4W	SM 4GW	SMS 4W	SMS 4GW	4	4		8	-11
SM 5W	SM 5GW	SMS 5W	SMS 5GW	4	5		10	0
SM 6W	SM 6GW	SMS 6W	SMS 6GW	4	6		12	-13
SM 8W	SM 8GW	SMS 8W	SMS 8GW	4	8		15	0
SM10W	SM10GW	SMS10W	SMS10GW	4	10		19	-16
SM12W	SM12GW	SMS12W	SMS12GW	4	12		21	0
SM13W	SM13GW	SMS13W	SMS13GW	4	13		23	-19
SM16W	SM16GW	SMS16W	SMS16GW	4	16		28	0
SM20W	SM20GW	SMS20W	SMS20GW	5	20		32	-22
SM25W	SM25GW	SMS25W	SMS25GW	6	25		40	0
SM30W	SM30GW	SMS30W	SMS30GW	6	30		45	-25
SM35W	SM35GW	SMS35W	SMS35GW	6	35	52	0	
SM40W	SM40GW	SMS40W	SMS40GW	6	40	60	-22	
SM50W	SM50GW	SMS50W	SMS50GW	6	50	80	0	
SM60W	SM60GW	SMS60W	SMS60GW	6	60	0/-20	90	0/-25



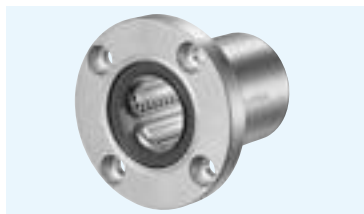
mm	L tolerance mm	B tolerance mm		W mm	D <sub>1</sub> mm	eccentricity $\mu\text{m}$	basic load rating		allowable static moment Mo N·m	mass g	shaft diameter mm
		mm	mm				dynamic C N	static Co N			
19	0 -0.3	—	—	—	—	10	138	210	0.51	3.2	3
23		—	—	—	—		176	254	0.63	4.8	4
28		20.4	1.1	9.6	265		412	1.38	11	5	
35		27	1.1	11.5	323	530	2.18	16	6		
45		35	1.1	14.3	431	784	4.31	31	8		
55		44	1.3	18	588	1,100	7.24	62	10		
57		46	1.3	20	813	1,570	10.9	80	12		
61		46	1.3	22	813	1,570	11.6	90	13		
70		53	1.6	27	1,230	2,350	19.7	145	16		
80		61	1.6	30.5	1,400	2,740	26.8	180	20		
112		82	1.85	38	1,560	3,140	43.4	440	25		
123		89	1.85	43	2,490	5,490	82.8	480	30		
135	99	2.1	49	2,650	6,270	110	795	35			
151	121	2.1	57	3,430	8,040	147	1,170	40			
192	148	2.6	76.5	6,080	15,900	397	3,100	50			
209	170	3.15	86.5	7,550	20,000	530	3,500	60			

1N  $\approx$  0.102kgf 1N · m  $\approx$  0.102kgf · m



# SMF TYPE

– Round Flange Type –



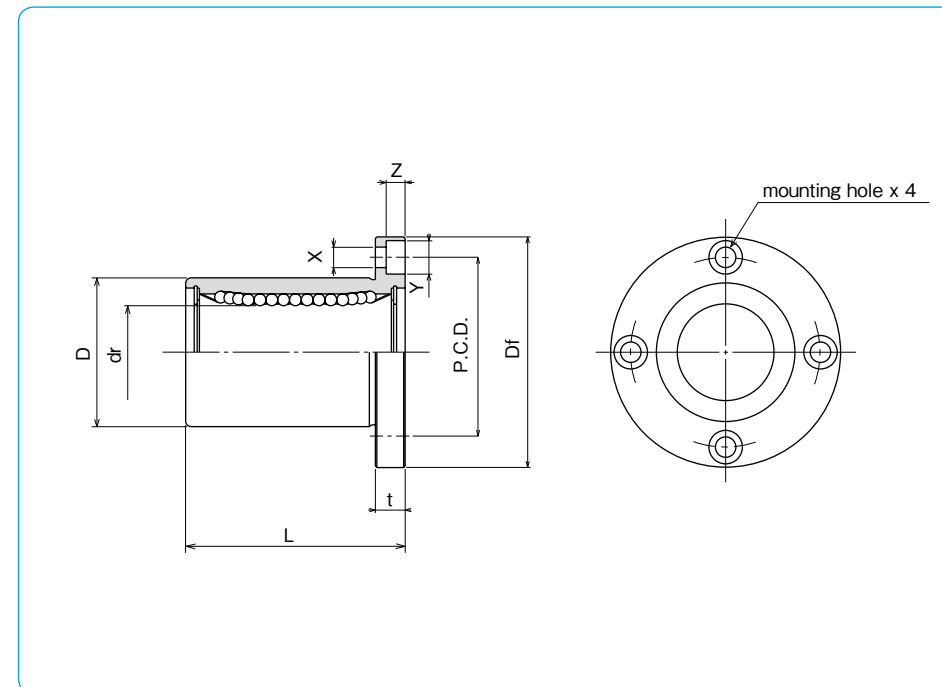
## part number structure

example **SMSF 25 G UU-SK**

specification SMF: standard SMSF: anti-corrosion	outer cylinder surface treatment blank: no surface treatment SK: electroless nickel plating LF: low temperature black chrome treatment with fluoride coating SB: black oxide (not available on anti-corrosion type) SC: industrial chrome plating
inner contact diameter (dr)	seal blank: without seal UU: seals on both sides ZZ: doublelip-seals on both sides
retainer material blank: standard/steel anti-corrosion/stainless steel G: resin	

Doublelip-seal is available for size 6 to 30.

part number				number of ball circuits	dr		major dimensions		
standard steel retainer	anti-corrosion resin retainer	stainless steel retainer	resin retainer		mm	tolerance $\mu\text{m}$	D mm	tolerance $\mu\text{m}$	L $\pm 0.3$ mm
SMF 6	SMF 6G	SMSF 6	SMSF 6G	4	6	0	12	0	19
SMF 8s	SMF 8sG	SMSF 8s	SMSF 8sG	4	8	-9	15	-13	17
SMF 8	SMF 8G	SMSF 8	SMSF 8G	4	8	0	15	0	24
SMF 10	SMF10G	SMSF10	SMSF10G	4	10	-9	19	-16	29
SMF 12	SMF12G	SMSF12	SMSF12G	4	12	0	21	0	30
SMF 13	SMF13G	SMSF13	SMSF13G	4	13	-10	23	-19	32
SMF 16	SMF16G	SMSF16	SMSF16G	4	16	0	28	0	37
SMF 20	SMF20G	SMSF20	SMSF20G	5	20	-12	32	-22	42
SMF 25	SMF25G	SMSF25	SMSF25G	6	25	0	40	0	59
SMF 30	SMF30G	SMSF30	SMSF30G	6	30	-10	45	-19	64
SMF 35	SMF35G	SMSF35	SMSF35G	6	35	0	52	0	70
SMF 40	SMF40G	SMSF40	SMSF40G	6	40	-12	60	-22	80
SMF 50	SMF50G	SMSF50	SMSF50G	6	50	0	80	0	100
SMF 60	SMF60G	SMSF60	SMSF60G	6	60	0	90	0	110
SMF 80	-	-	-	6	80	-15	120	-25	140
SMF100	-	-	-	6	100	0/-20	150	0/-29	175

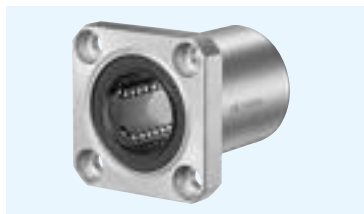


Df mm	t mm	flange P.C.D. mm	X×Y×Z mm	eccentricity $\mu\text{m}$	perpendicularity $\mu\text{m}$	basic load rating		mass g	shaft diameter mm
						dynamic C N	static Co N		
28	5	20	3.5×6×3.1	12	12	206	265	24	6
32	5	24	3.5×6×3.1			176	216	32	8
32	5	24	3.5×6×3.1			274	392	37	8
40	6	29	4.5×7.5×4.1			372	549	72	10
42	6	32	4.5×7.5×4.1			510	784	76	12
43	6	33	4.5×7.5×4.1			510	784	88	13
48	6	38	4.5×7.5×4.1	15	15	774	1,180	120	16
54	8	43	5.5×9×5.1			882	1,370	180	20
62	8	51	5.5×9×5.1			980	1,570	340	25
74	10	60	6.6×11×6.1			1,570	2,740	470	30
82	10	67	6.6×11×6.1			1,670	3,140	650	35
96	13	78	9×14×8.1			2,160	4,020	1,060	40
116	13	98	9×14×8.1	20	20	3,820	7,940	2,200	50
134	18	112	11×17×11.1			4,700	10,000	3,000	60
164	18	142	11×17×11.1			7,350	16,000	5,800	80
200	20	175	14×20×13.1			14,100	34,800	10,600	100

1N=0.102kgf

# SMK TYPE

– Square Flange Type –



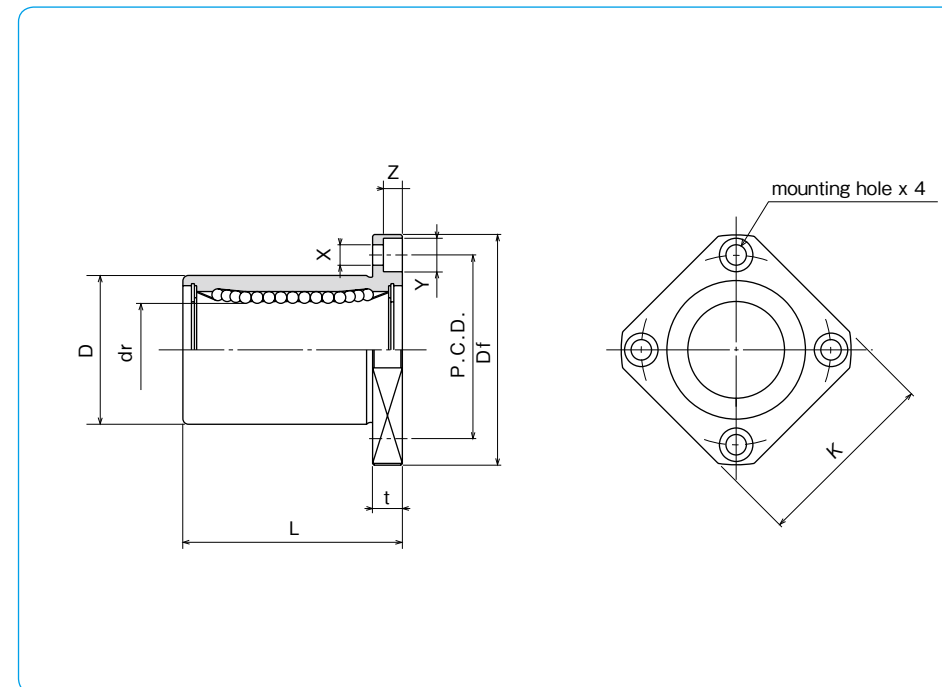
## part number structure

example **SMSK 25 G UU -SK**

specification <b>SMK</b> : standard <b>SMSK</b> : anti-corrosion	inner contact diameter (dr)	retainer material <b>blank</b> : standard/steel anti-corrosion/stainless steel <b>G</b> : resin	outer cylinder surface treatment <b>blank</b> : no surface treatment <b>SK</b> : electroless nickel plating <b>LF</b> : low temperature black chrome treatment with fluoride coating <b>SB</b> : black oxide (not available on anti-corrosion type) <b>SC</b> : industrial chrome plating	seal <b>blank</b> : without seal <b>UU</b> : seals on both sides <b>ZZ</b> : doublelip-seals on both sides
--	-----------------------------	--	--	---

Doublelip-seal is available for size 6 to 30.

part number				number of ball circuits	major dimensions				
standard steel retainer	anti-corrosion resin retainer	stainless steel retainer	resin retainer		dr mm	tolerance μm	D mm	tolerance μm	L ±0.3 mm
SMK 6	SMK 6G	SMSK 6	SMSK 6G	4	6	0	12	0	19
SMK 8s	SMK 8sG	SMSK 8s	SMSK 8sG	4	8	-9	15	-13	17
SMK 8	SMK 8G	SMSK 8	SMSK 8G	4	8	0	15	0	24
SMK 10	SMK10G	SMSK10	SMSK10G	4	10	-9	19	-16	29
SMK 12	SMK12G	SMSK12	SMSK12G	4	12	0	21	0	30
SMK 13	SMK13G	SMSK13	SMSK13G	4	13	-10	23	-19	32
SMK 16	SMK16G	SMSK16	SMSK16G	4	16	0	28	0	37
SMK 20	SMK20G	SMSK20	SMSK20G	5	20	-12	32	-22	42
SMK 25	SMK25G	SMSK25	SMSK25G	6	25	0	40	0	59
SMK 30	SMK30G	SMSK30	SMSK30G	6	30	-10	45	-19	64
SMK 35	SMK35G	SMSK35	SMSK35G	6	35	0	52	0	70
SMK 40	SMK40G	SMSK40	SMSK40G	6	40	-12	60	-22	80
SMK 50	SMK50G	SMSK50	SMSK50G	6	50	0	80	0	100
SMK 60	SMK60G	SMSK60	SMSK60G	6	60	0	90	0	110
SMK 80	-	-	-	6	80	-15	120	-25	140
SMK100	-	-	-	6	100	0/-20	150	0/-29	175



Df mm	flange				eccentricity μm	perpendicularity μm	basic load rating		mass g	shaft diameter mm
	K mm	t mm	P.C.D. mm	X×Y×Z mm			dynamic C N	static Co N		
28	22	5	20	3.5×6×3.1	12	12	206	265	18	6
32	25	5	24	3.5×6×3.1			176	216	24	8
32	25	5	24	3.5×6×3.1			274	392	29	8
40	30	6	29	4.5×7.5×4.1			372	549	52	10
42	32	6	32	4.5×7.5×4.1			510	784	57	12
43	34	6	33	4.5×7.5×4.1			510	784	72	13
48	37	6	38	4.5×7.5×4.1	15	15	774	1,180	104	16
54	42	8	43	5.5×9×5.1			882	1,370	145	20
62	50	8	51	5.5×9×5.1			980	1,570	300	25
74	58	10	60	6.6×11×6.1			1,570	2,740	375	30
82	64	10	67	6.6×11×6.1			1,670	3,140	560	35
96	75	13	78	9×14×8.1			2,160	4,020	880	40
116	92	13	98	9×14×8.1	20	20	3,820	7,940	2,000	50
134	106	18	112	11×17×11.1			4,700	10,000	2,560	60
164	136	18	142	11×17×11.1			7,350	16,000	5,300	80
200	170	20	175	14×20×13.1			14,100	34,800	9,900	100

1N≒0.102kgf

# SMT TYPE

– Two Side Cut Flange Type –



## part number structure

example **SMST 25 G UU -SK**

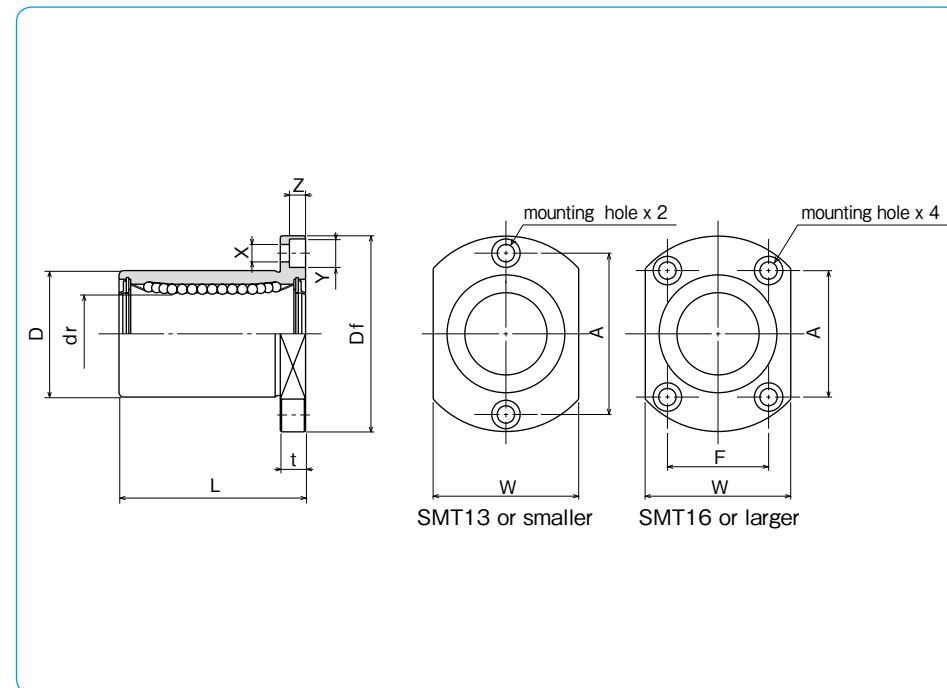
specification  
**SMT**: standard  
**SMST**: anti-corrosion

inner contact diameter (dr)

retainer material  
**blank**: standard/steel  
 anti-corrosion/stainless steel  
**G**: resin

outer cylinder  
 surface treatment  
**blank**: no surface treatment  
**SK**: electroless nickel plating  
**LF**: low temperature black chrome  
 treatment with fluoride coating  
**SB**: black oxide (not available on  
 anti-corrosion type)  
**SC**: industrial chrome plating

seal  
**UU**: seals on both sides  
**ZZ**: doublelip-seals on both sides



part number*				number of ball circuits	major dimensions			
standard		anti-corrosion			dr	D	L	
steel retainer	resin retainer	stainless retainer	resin retainer	mm	tolerance $\mu\text{m}$	mm	tolerance $\mu\text{m}$	$\pm 0.3$ mm
<b>SMT 6UU</b>	<b>SMT 6GUU</b>	<b>SMST 6UU</b>	<b>SMST 6GUU</b>	4	6	12	0	19
<b>SMT 8UU</b>	<b>SMT 8GUU</b>	<b>SMST 8UU</b>	<b>SMST 8GUU</b>	4	8	15	-13	24
<b>SMT 10UU</b>	<b>SMT 10GUU</b>	<b>SMST 10UU</b>	<b>SMST 10GUU</b>	4	10	19	0	29
<b>SMT 12UU</b>	<b>SMT 12GUU</b>	<b>SMST 12UU</b>	<b>SMST 12GUU</b>	4	12	21	0	30
<b>SMT 13UU</b>	<b>SMT 13GUU</b>	<b>SMST 13UU</b>	<b>SMST 13GUU</b>	4	13	23	-16	32
<b>SMT 16UU</b>	<b>SMT 16GUU</b>	<b>SMST 16UU</b>	<b>SMST 16GUU</b>	4	16	28	0	37
<b>SMT 20UU</b>	<b>SMT 20GUU</b>	<b>SMST 20UU</b>	<b>SMST 20GUU</b>	5	20	32	0	42
<b>SMT 25UU</b>	<b>SMT 25GUU</b>	<b>SMST 25UU</b>	<b>SMST 25GUU</b>	6	25	40	-19	59
<b>SMT 30UU</b>	<b>SMT 30GUU</b>	<b>SMST 30UU</b>	<b>SMST 30GUU</b>	6	30	45	0	64

\* Seals-on-both-sides is standard.

Df mm	W mm	t mm	flange			eccentricity $\mu\text{m}$	perpendicularity $\mu\text{m}$	basic load rating		mass g	shaft diameter mm
			A mm	F mm	X×Y×Z mm			dynamic C N	static Co N		
28	18	5	20	—	3.5×6×3.1	12	12	206	265	21	6
32	21	5	24	—	3.5×6×3.1			274	392	33	8
40	25	6	29	—	4.5×7.5×4.1			372	549	64	10
42	27	6	32	—	4.5×7.5×4.1			510	784	68	12
43	29	6	33	—	4.5×7.5×4.1			510	784	81	13
48	34	6	31	22	4.5×7.5×4.1	774	1,180	112	16		
54	38	8	36	24	5.5×9×5.1	15	15	882	1,370	167	20
62	46	8	40	32	5.5×9×5.1			980	1,570	325	25
74	51	10	49	35	6.6×11×6.1			1,570	2,740	388	30

1N≐0.102kgf

# SMF-E TYPE

– Round Flange Type with Pilot End –



## part number structure

example **SMSF 25 G UU -E -SK**

specification  
**SMF**: standard  
**SMSF**: anti-corrosion

inner contact diameter (dr)

retainer material  
**blank**: standard/steel  
 anti-corrosion/stainless steel  
**G**: resin

outer cylinder surface treatment  
**blank**: no surface treatment  
**SK**: electroless nickel plating  
**LF**: low temperature black chrome treatment with fluoride coating  
**SB**: black oxide (not available on anti-corrosion type)  
**SC**: industrial chrome plating

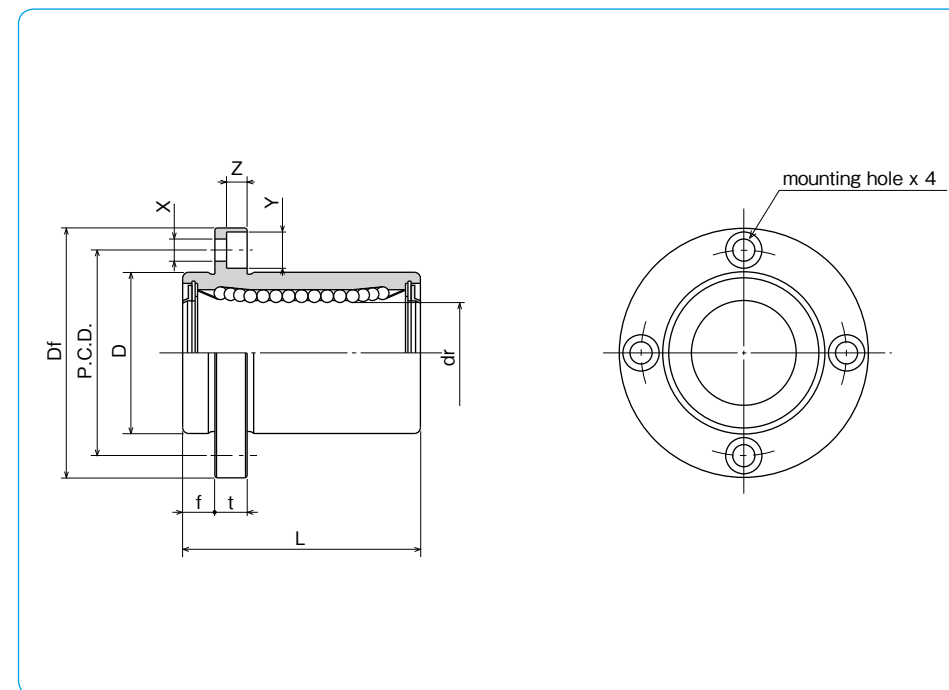
with pilot end

seal  
**UU**: seals on both sides  
**ZZ**: doublelip-seals on both sides

Doublelip-seal is available for size 6 to 30.

part number*				number of ball circuits	dr		major dimensions		
standard steel retainer	standard resin retainer	anti-corrosion stainless retainer	anti-corrosion resin retainer		mm	tolerance $\mu\text{m}$	D mm	tolerance $\mu\text{m}$	L $\pm 0.3$ mm
SMF 6UU-E	SMF 6GUU-E	SMSF 6UU-E	SMSF 6GUU-E	4	6	12	0	19	
SMF 8UU-E	SMF 8GUU-E	SMSF 8UU-E	SMSF 8GUU-E	4	8	15	-13	24	
SMF 10UU-E	SMF 10GUU-E	SMSF 10UU-E	SMSF 10GUU-E	4	10	19	0	29	
SMF 12UU-E	SMF 12GUU-E	SMSF 12UU-E	SMSF 12GUU-E	4	12	21	0	30	
SMF 13UU-E	SMF 13GUU-E	SMSF 13UU-E	SMSF 13GUU-E	4	13	23	-16	32	
SMF 16UU-E	SMF 16GUU-E	SMSF 16UU-E	SMSF 16GUU-E	4	16	28		37	
SMF 20UU-E	SMF 20GUU-E	SMSF 20UU-E	SMSF 20GUU-E	5	20	32	0	42	
SMF 25UU-E	SMF 25GUU-E	SMSF 25UU-E	SMSF 25GUU-E	6	25	40	-19	59	
SMF 30UU-E	SMF 30GUU-E	SMSF 30UU-E	SMSF 30GUU-E	6	30	45		64	
SMF 35UU-E	SMF 35GUU-E	—	—	6	35	52	0	70	
SMF 40UU-E	SMF 40GUU-E	—	—	6	40	60	0	80	
SMF 50UU-E	SMF 50GUU-E	—	—	6	50	80	-22	100	
SMF 60UU-E	SMF 60GUU-E	—	—	6	60	90	0/-25	110	

\* Seals-on-both-sides is standard.



f mm	Df mm	flange			eccentricity $\mu\text{m}$	perpendicularity $\mu\text{m}$	basic load rating		mass g	shaft diameter mm		
		t mm	P.C.D. mm	X×Y×Z mm			dynamic C N	static Co N				
5	28	5	20	3.5×6×3.1	12	12	206	265	24	6		
5	32	5	24	3.5×6×3.1			274	392	37	8		
6	40	6	29	4.5×7.5×4.1			372	549	72	10		
6	42	6	32	4.5×7.5×4.1			510	784	76	12		
6	43	6	33	4.5×7.5×4.1			510	784	88	13		
6	48	6	38	4.5×7.5×4.1			774	1,180	120	16		
8	54	8	43	5.5×9×5.1	15	15	882	1,370	180	20		
8	62	8	51	5.5×9×5.1			980	1,570	340	25		
10	74	10	60	6.6×11×6.1			1,570	2,740	470	30		
10	82	10	67	6.6×11×6.1	20	20	1,670	3,140	650	35		
13	96	13	78	9×14×8.1			2,160	4,020	1,060	40		
13	116	13	98	9×14×8.1			3,820	7,940	2,200	50		
18	134	18	112	11×17×11.1			25	25	4,700	10,000	3,000	60

1N=0.102kgf

# SMK-E TYPE

– Square Flange Type with Pilot End –

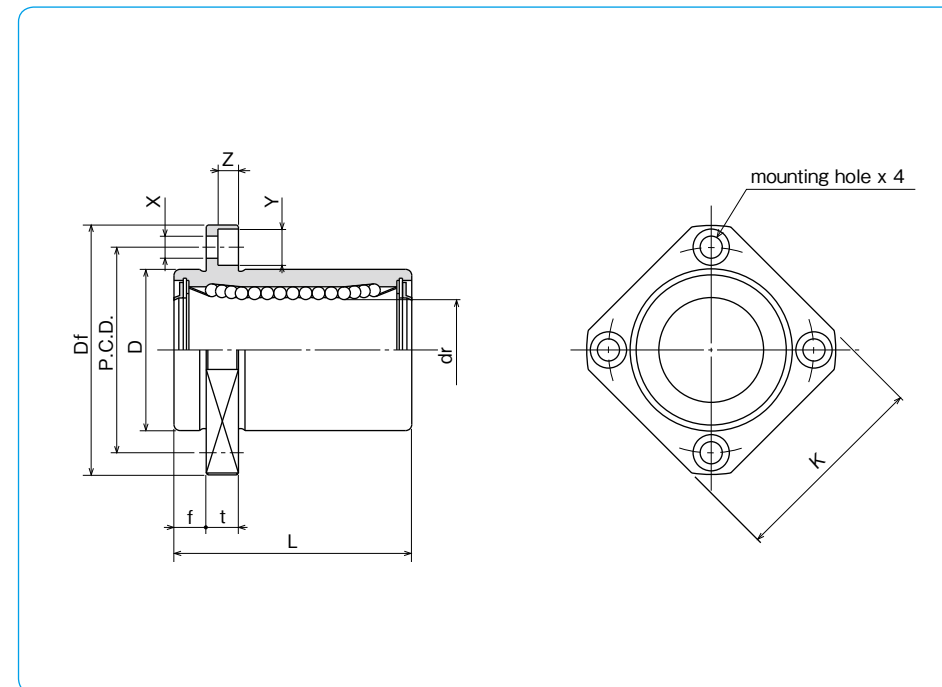


## part number structure

example **SMSK 25 G UU -E -SK**

specification <b>SMK</b> : standard <b>SMSK</b> : anti-corrosion	outer cylinder surface treatment <b>blank</b> : no surface treatment <b>SK</b> : electroless nickel plating <b>LF</b> : low temperature black chrome treatment with fluoride coating <b>SB</b> : black oxide (not available on anti-corrosion type) <b>SC</b> : industrial chrome plating
inner contact diameter (dr)	with pilot end
retainer material <b>blank</b> : standard/steel anti-corrosion/stainless steel <b>G</b> : resin	seal <b>UU</b> : seals on both sides <b>ZZ</b> : doublelip-seals on both sides

Doublelip-seal is available for size 6 to 30.



part number*				number of ball circuits	dr		major dimensions		
standard steel retainer	anti-corrosion resin retainer	stainless steel retainer	resin retainer		mm	tolerance $\mu\text{m}$	D mm	tolerance $\mu\text{m}$	L $\pm 0.3$ mm
SMK 6UU-E	SMK 6GUU-E	SMSK 6UU-E	SMSK 6GUU-E	4	6	12	0	19	
SMK 8UU-E	SMK 8GUU-E	SMSK 8UU-E	SMSK 8GUU-E	4	8	15	-13	24	
SMK 10UU-E	SMK 10GUU-E	SMSK 10UU-E	SMSK 10GUU-E	4	10	19	0	29	
SMK 12UU-E	SMK 12GUU-E	SMSK 12UU-E	SMSK 12GUU-E	4	12	21	0	30	
SMK 13UU-E	SMK 13GUU-E	SMSK 13UU-E	SMSK 13GUU-E	4	13	23	-16	32	
SMK 16UU-E	SMK 16GUU-E	SMSK 16UU-E	SMSK 16GUU-E	4	16	28		37	
SMK 20UU-E	SMK 20GUU-E	SMSK 20UU-E	SMSK 20GUU-E	5	20	32	0	42	
SMK 25UU-E	SMK 25GUU-E	SMSK 25UU-E	SMSK 25GUU-E	6	25	40	-19	59	
SMK 30UU-E	SMK 30GUU-E	SMSK 30UU-E	SMSK 30GUU-E	6	30	45		64	
SMK 35UU-E	SMK 35GUU-E	—	—	6	35	52	0	70	
SMK 40UU-E	SMK 40GUU-E	—	—	6	40	60	0	80	
SMK 50UU-E	SMK 50GUU-E	—	—	6	50	80	-22	100	
SMK 60UU-E	SMK 60GUU-E	—	—	6	60	90	0/-25	110	

\* Seals-on-both-sides is standard.

f mm	Df mm	flange			eccentricity $\mu\text{m}$	perpendicularity $\mu\text{m}$	basic load rating		mass g	shaft diameter mm
		K mm	t mm	P.C.D. mm			X×Y×Z mm	dynamic C N		
5	28	22	5	20	12	12	206	265	18	6
5	32	25	5	24			274	392	29	8
6	40	30	6	29			372	549	52	10
6	42	32	6	32			510	784	57	12
6	43	34	6	33			510	784	72	13
6	48	37	6	38			774	1,180	104	16
8	54	42	8	43	15	15	882	1,370	145	20
8	62	50	8	51			980	1,570	300	25
10	74	58	10	60			1,570	2,740	375	30
10	82	64	10	67			1,670	3,140	560	35
13	96	75	13	78			2,160	4,020	880	40
13	116	92	13	98			3,820	7,940	2,000	50
18	134	106	18	112	25	25	4,700	10,000	2,560	60

1N=0.102kgf

# SMT-E TYPE

– Two Side Cut Pilot End Flange Type –



## part number structure

example **SMST 25 G UU -E -SK**

specification  
**SMT**: standard  
**SMST**: anti-corrosion

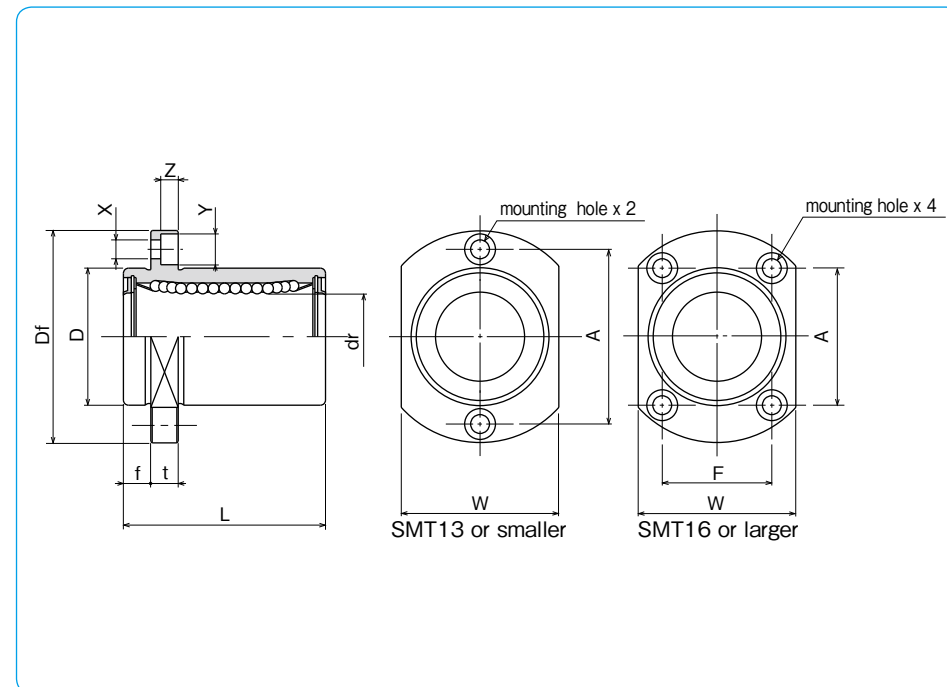
inner contact diameter (dr)

retainer material  
**blank**: standard/steel  
 anti-corrosion/stainless steel  
**G**: resin

outer cylinder surface treatment  
**blank**: no surface treatment  
**SK**: electroless nickel plating  
**LF**: low temperature black chrome treatment with fluoride coating  
**SB**: black oxide (not available on anti-corrosion type)  
**SC**: industrial chrome plating

with pilot end

seal  
**UU**: seals on both sides  
**ZZ**: doublelip-seals on both sides



part number*				number of ball circuits	dr mm	dr tolerance μm	major dimensions		
standard steel retainer	standard resin retainer	anti-corrosion stainless retainer	anti-corrosion resin retainer				D mm	D tolerance μm	L ±0.3 mm
<b>SMT 6UU-E</b>	<b>SMT 6GUU-E</b>	<b>SMST 6UU-E</b>	<b>SMST 6GUU-E</b>	4	6	12	0	19	
<b>SMT 8UU-E</b>	<b>SMT 8GUU-E</b>	<b>SMST 8UU-E</b>	<b>SMST 8GUU-E</b>	4	8	15	-13	24	
<b>SMT10UU-E</b>	<b>SMT10GUU-E</b>	<b>SMST10UU-E</b>	<b>SMST10GUU-E</b>	4	10	19	0	29	
<b>SMT12UU-E</b>	<b>SMT12GUU-E</b>	<b>SMST12UU-E</b>	<b>SMST12GUU-E</b>	4	12	21	0	30	
<b>SMT13UU-E</b>	<b>SMT13GUU-E</b>	<b>SMST13UU-E</b>	<b>SMST13GUU-E</b>	4	13	23	-16	32	
<b>SMT16UU-E</b>	<b>SMT16GUU-E</b>	<b>SMST16UU-E</b>	<b>SMST16GUU-E</b>	4	16	28		37	
<b>SMT20UU-E</b>	<b>SMT20GUU-E</b>	<b>SMST20UU-E</b>	<b>SMST20GUU-E</b>	5	20	32	0	42	
<b>SMT25UU-E</b>	<b>SMT25GUU-E</b>	<b>SMST25UU-E</b>	<b>SMST25GUU-E</b>	6	25	40	-19	59	
<b>SMT30UU-E</b>	<b>SMT30GUU-E</b>	<b>SMST30UU-E</b>	<b>SMST30GUU-E</b>	6	30	45		64	

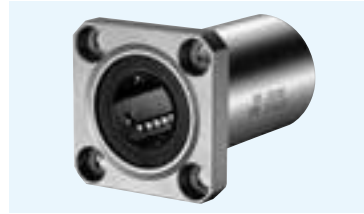
\* Seals-on-both-sides is standard.

f mm	Df mm	flange				eccentricity μm	perpendicularity μm	basic load rating		mass g	shaft diameter mm
		W mm	t mm	A mm	F mm			dynamic C N	static Co N		
5	28	18	5	20	—	12	12	206	265	21	6
5	32	21	5	24	—			274	392	33	8
6	40	25	6	29	—			372	549	64	10
6	42	27	6	32	—			510	784	68	12
6	43	29	6	33	—	15	15	510	784	81	13
6	48	34	6	31	22			774	1,180	112	16
8	54	38	8	36	24	15	15	882	1,370	167	20
8	62	46	8	40	32			980	1,570	325	25
10	74	51	10	49	35			1,570	2,740	388	30

1N≒0.102kgf

# SMK-G-L TYPE

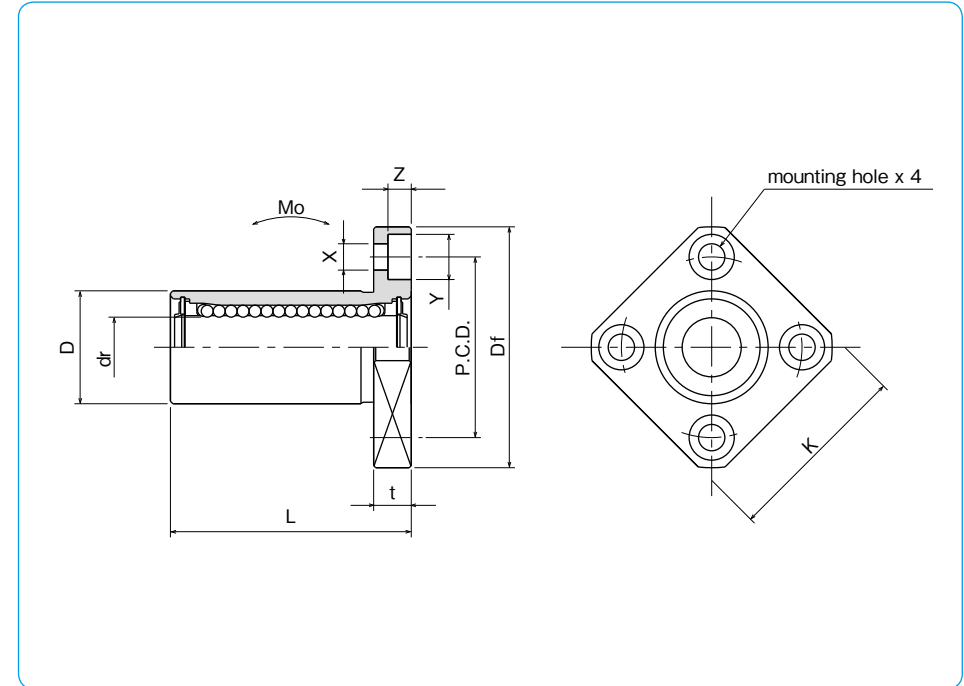
– Square Flange Long type –



## part number structure

example **SMK25G-LUU-SK**

SMK type	inner contact diameter (dr)	resin retainer	outer cylinder surface treatment	seal	long type
			blank: no surface treatment SK: electroless nickel plating LF: low temperature black chrome treatment with fluoride coating SB: black oxide (not available on anti-corrosion type) SC: industrial chrome plating	UU: seals on both sides ZZ: doublelip-seals on both sides	



part number*	number of ball circuits	dr		D		major dimensions				
		mm	tolerance $\mu\text{m}$	mm	tolerance $\mu\text{m}$	L $\pm 0.3$ mm	Df mm	K mm	t mm	flange P.C.D. mm
SMK 6G-LUU	4	6	0	12	0	26	28	22	5	20
SMK 8G-LUU	4	8		15	-13	32	32	25	5	24
SMK 10G-LUU	4	10		19	-16	39	40	30	6	29
SMK 12G-LUU	4	12		21		0	41	42	32	6
SMK 13G-LUU	4	13	23	0		45	43	34	6	33
SMK 16G-LUU	4	16	28	0		53	48	37	6	38
SMK20G-LUU	5	20	-12	32	0	59	54	42	8	43
SMK25G-LUU	6	25		40	-19	83	62	50	8	51
SMK30G-LUU	6	30		45	0	90	74	58	10	60

\* Seals-on-both-sides is standard.

X×Y×Z mm	eccentricity $\mu\text{m}$	perpendicularity $\mu\text{m}$	basic load rating		allowable static moment $M_o$ N·m	mass g	shaft diameter mm
			dynamic C N	static $C_o$ N			
3.5×6×3.1	15	15	262	476	1.15	20	6
3.5×6×3.1			352	615	1.94	32	8
4.5×7.5×4.1			493	1,000	3.98	59	10
4.5×7.5×4.1			637	1,430	6.26	67	12
4.5×7.5×4.1			682	1,560	7.68	88	13
4.5×7.5×4.1			1,039	2,350	13.2	125	16
5.5×9×5.1	20	20	1,160	2,740	17.9	170	20
5.5×9×5.1			1,300	2,960	27.2	380	25
5.5×9×5.1			2,160	5,880	61.3	460	30

1N  $\approx$  0.102kgf 1N·m  $\approx$  0.102kgf·m

# SMF-W TYPE

– Round Flange Double-Wide Type –



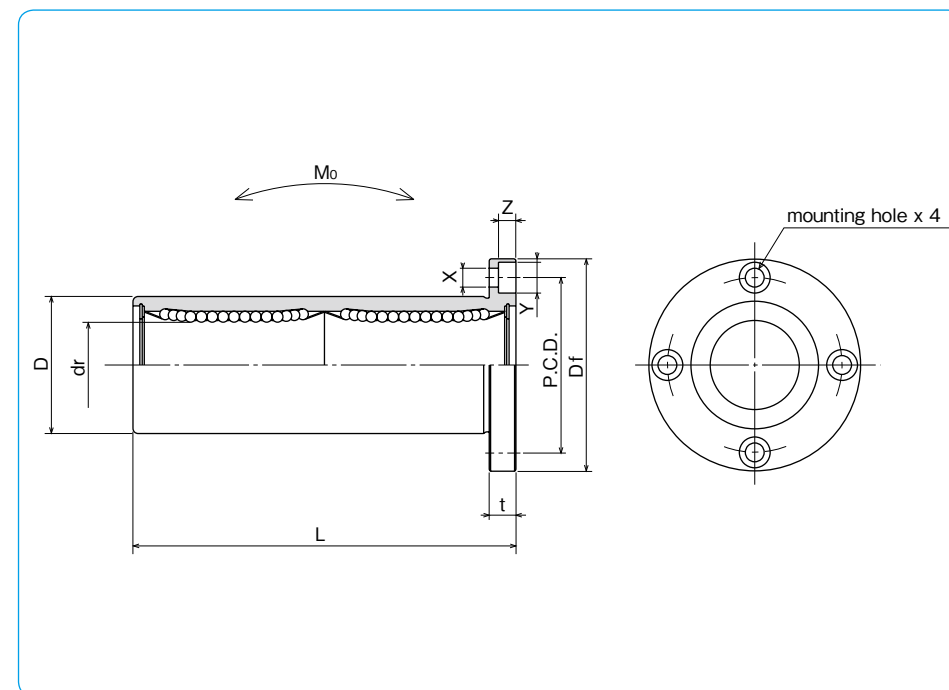
## part number structure

example **SMSF 25 G W UU -SK**

specification SMF: standard SMSF: anti-corrosion	outer cylinder surface treatment blank: no surface treatment SK: electroless nickel plating LF: low temperature black chrome treatment with fluoride coating SB: black oxide (not available on anti-corrosion type) SC: industrial chrome plating
inner contact diameter (dr)	seal blank: without seal UU: seals on both sides ZZ: doublelip-seals on both sides
retainer material blank: standard/steel anti-corrosion/stainless steel G: resin	double-wide type

Doublelip-seal is available for size 6 to 30.

part number				number of ball circuits	dr		major dimensions		
standard steel retainer	resin retainer	anti-corrosion stainless retainer	resin retainer		mm	tolerance $\mu\text{m}$	D mm	tolerance $\mu\text{m}$	L $\pm 0.3$ mm
SMF 6W	SMF 6GW	SMSF 6W	SMSF 6GW	4	6	0	12	0	35
SMF 8W	SMF 8GW	SMSF 8W	SMSF 8GW	4	8	0	15	-13	45
SMF10W	SMF10GW	SMSF10W	SMSF10GW	4	10	0	19	0	55
SMF12W	SMF12GW	SMSF12W	SMSF12GW	4	12	-10	21	0	57
SMF13W	SMF13GW	SMSF13W	SMSF13GW	4	13	0	23	-16	61
SMF16W	SMF16GW	SMSF16W	SMSF16GW	4	16	0	28	0	70
SMF20W	SMF20GW	SMSF20W	SMSF20GW	5	20	0	32	0	80
SMF25W	SMF25GW	SMSF25W	SMSF25GW	6	25	-12	40	-19	112
SMF30W	SMF30GW	SMSF30W	SMSF30GW	6	30	0	45	0	123
SMF35W	SMF35GW	SMSF35W	SMSF35GW	6	35	0	52	0	135
SMF40W	SMF40GW	SMSF40W	SMSF40GW	6	40	-15	60	-22	151
SMF50W	SMF50GW	SMSF50W	SMSF50GW	6	50	0	80	0	192
SMF60W	SMF60GW	SMSF60W	SMSF60GW	6	60	0/-20	90	0/-25	209



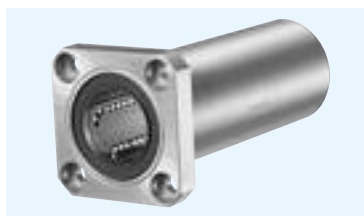
Df mm	t mm	flange P.C.D. mm	X × Y × Z mm	eccentricity $\mu\text{m}$	perpendicularity $\mu\text{m}$	basic load rating		allowable static moment $M_o$ N · m	mass g	shaft diameter mm
						dynamic C N	static $C_o$ N			
28	5	20	3.5 × 6 × 3.1	15	15	323	530	2.18	31	6
32	5	24	3.5 × 6 × 3.1			431	784	4.31	51	8
40	6	29	4.5 × 7.5 × 4.1			588	1,100	7.24	98	10
42	6	32	4.5 × 7.5 × 4.1			813	1,570	10.9	110	12
43	6	33	4.5 × 7.5 × 4.1			813	1,570	11.6	130	13
48	6	38	4.5 × 7.5 × 4.1			1,230	2,350	19.7	190	16
54	8	43	5.5 × 9 × 5.1	20	20	1,400	2,740	26.8	260	20
62	8	51	5.5 × 9 × 5.1			1,560	3,140	43.4	540	25
74	10	60	6.6 × 11 × 6.1			2,490	5,490	82.8	680	30
82	10	67	6.6 × 11 × 6.1			2,650	6,270	110	1,020	35
96	13	78	9 × 14 × 8.1	25	25	3,430	8,040	147	1,570	40
116	13	98	9 × 14 × 8.1			6,080	15,900	397	3,600	50
134	18	112	11 × 17 × 11.1			7,550	20,000	530	4,500	60

1N  $\approx$  0.102kgf 1N · m  $\approx$  0.102kgf · m



# SMK-W TYPE

– Square Flange Double-Wide Type –

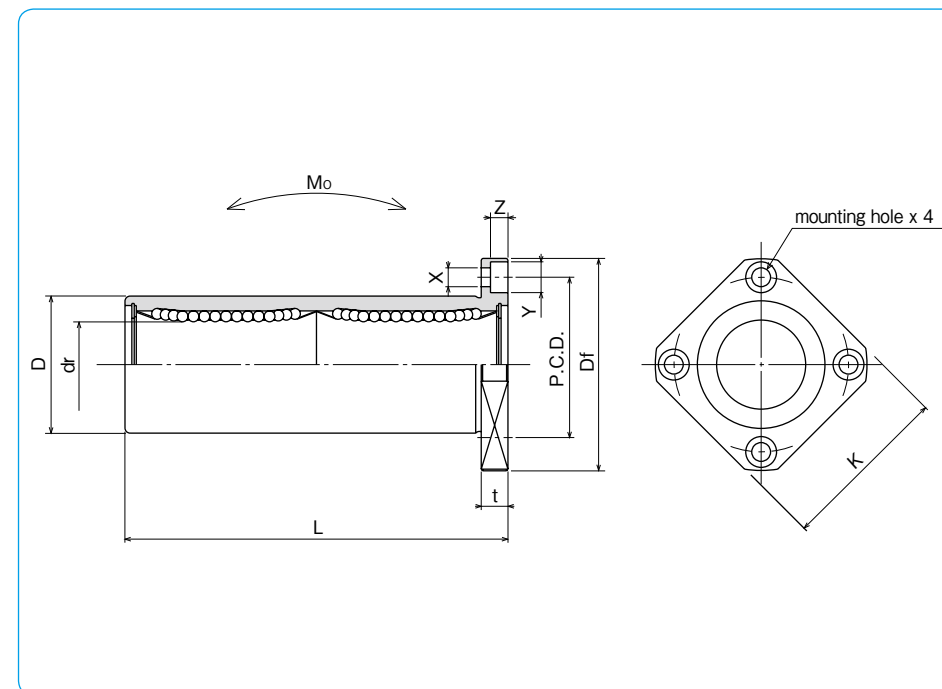


## part number structure

example **SMSK 25 G W UU -SK**

specification <b>SMK</b> : standard <b>SMSK</b> : anti-corrosion	outer cylinder surface treatment <b>blank</b> : no surface treatment <b>SK</b> : electroless nickel plating <b>LF</b> : low temperature black chrome treatment with fluoride coating <b>SB</b> : black oxide (not available on anti-corrosion type) <b>SC</b> : industrial chrome plating
inner contact diameter (dr)	seal <b>blank</b> : without seal <b>UU</b> : seals on both sides <b>ZZ</b> : doublelip-seals on both sides
retainer material <b>blank</b> : standard/steel anti-corrosion/stainless steel <b>G</b> : resin	double-wide type

Doublelip-seal is available for size 6 to 30.



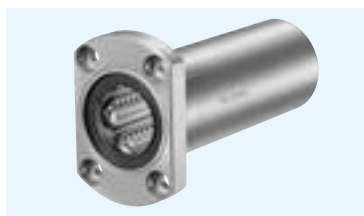
part number				number of ball circuits	dr		major dimensions		
standard steel retainer	resin retainer	anti-corrosion stainless retainer	resin retainer		mm	tolerance $\mu\text{m}$	D mm	tolerance $\mu\text{m}$	L $\pm 0.3$ mm
SMK 6W	SMK 6GW	SMSK 6W	SMSK 6GW	4	6	0	12	0	35
SMK 8W	SMK 8GW	SMSK 8W	SMSK 8GW	4	8	0	15	-13	45
SMK 10W	SMK 10GW	SMSK 10W	SMSK 10GW	4	10	0	19	0	55
SMK 12W	SMK 12GW	SMSK 12W	SMSK 12GW	4	12	-10	21	0	57
SMK 13W	SMK 13GW	SMSK 13W	SMSK 13GW	4	13	0	23	-16	61
SMK 16W	SMK 16GW	SMSK 16W	SMSK 16GW	4	16	0	28	0	70
SMK 20W	SMK 20GW	SMSK 20W	SMSK 20GW	5	20	0	32	0	80
SMK 25W	SMK 25GW	SMSK 25W	SMSK 25GW	6	25	-12	40	-19	112
SMK 30W	SMK 30GW	SMSK 30W	SMSK 30GW	6	30	0	45	0	123
SMK 35W	SMK 35GW	SMSK 35W	SMSK 35GW	6	35	0	52	0	135
SMK 40W	SMK 40GW	SMSK 40W	SMSK 40GW	6	40	-15	60	-22	151
SMK 50W	SMK 50GW	SMSK 50W	SMSK 50GW	6	50	0	80	0	192
SMK 60W	SMK 60GW	SMSK 60W	SMSK 60GW	6	60	0/-20	90	0/-25	209

Df mm	K mm	flange		X×Y×Z mm	eccentricity $\mu\text{m}$	perpendicularity $\mu\text{m}$	basic load rating		allowable static moment $M_o$ N·m	mass g	shaft diameter mm
		t mm	P.C.D. mm				dynamic C N	static Co N			
28	22	5	20	3.5×6×3.1	15	15	323	530	2.18	25	6
32	25	5	24	3.5×6×3.1			431	784	4.31	43	8
40	30	6	29	4.5×7.5×4.1			588	1,100	7.24	78	10
42	32	6	32	4.5×7.5×4.1			813	1,570	10.9	90	12
43	34	6	33	4.5×7.5×4.1			813	1,570	11.6	108	13
48	37	6	38	4.5×7.5×4.1			1,230	2,350	19.7	165	16
54	42	8	43	5.5×9×5.1	20	20	1,400	2,740	26.8	225	20
62	50	8	51	5.5×9×5.1			1,560	3,140	43.4	500	25
74	58	10	60	6.6×11×6.1			2,490	5,490	82.8	590	30
82	64	10	67	6.6×11×6.1			2,650	6,270	110	930	35
96	75	13	78	9×14×8.1	25	25	3,430	8,040	147	1,380	40
116	92	13	98	9×14×8.1			6,080	15,900	397	3,400	50
134	106	18	112	11×17×11.1			7,550	20,000	530	4,060	60

1N  $\approx$  0.102kgf 1N · m  $\approx$  0.102kgf · m

# SMT-W TYPE

– Two Side Cut Double-Wide Flange Type –



## part number structure

example **SMST 25 G W UU -SK**

specification  
**SMT**: standard  
**SMST**: anti-corrosion

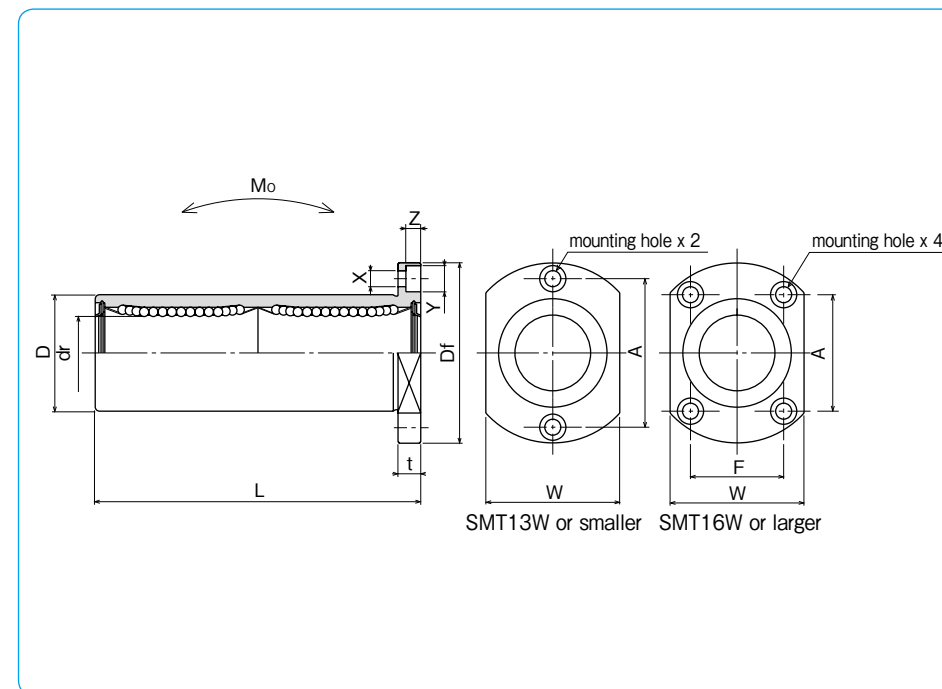
inner contact diameter (dr)

retainer material  
**blank**: standard/steel  
 anti-corrosion/stainless steel  
**G**: resin

outer cylinder surface treatment  
**blank**: no surface treatment  
**SK**: electroless nickel plating  
**LF**: low temperature black chrome treatment with fluoride coating  
**SB**: black oxide (not available on anti-corrosion type)  
**SC**: industrial chrome plating

seal  
**UU**: seals on both sides  
**ZZ**: doublelip-seals on both sides

double-wide type



part number*				number of ball circuits	dr		major dimensions		
standard steel retainer	standard resin retainer	anti-corrosion stainless retainer	anti-corrosion resin retainer		mm	tolerance $\mu\text{m}$	D mm	tolerance $\mu\text{m}$	L $\pm 0.3$ mm
SMT 6WUU	SMT 6GWUU	SMST 6WUU	SMST 6GWUU	4	6	12	0	35	
SMT 8WUU	SMT 8GWUU	SMST 8WUU	SMST 8GWUU	4	8	15	-13	45	
SMT10WUU	SMT10GWUU	SMST10WUU	SMST10GWUU	4	10	19	0	55	
SMT12WUU	SMT12GWUU	SMST12WUU	SMST12GWUU	4	12	21	0	57	
SMT13WUU	SMT13GWUU	SMST13WUU	SMST13GWUU	4	13	23	-16	61	
SMT16WUU	SMT16GWUU	SMST16WUU	SMST16GWUU	4	16	28	0	70	
SMT20WUU	SMT20GWUU	SMST20WUU	SMST20GWUU	5	20	32	0	80	
SMT25WUU	SMT25GWUU	SMST25WUU	SMST25GWUU	6	25	40	-19	112	
SMT30WUU	SMT30GWUU	SMST30WUU	SMST30GWUU	6	30	45	0	123	

\* Seals-on-both-sides is standard.

Df mm	W mm	t mm	flange			X×Y×Z mm	eccentricity $\mu\text{m}$	perpendicularity $\mu\text{m}$	basic load rating		allowable static moment $\text{N} \cdot \text{m}$	mass g	shaft diameter mm
			F mm	A mm	C N				Co N				
28	18	5	20	—	3.5×6×3.1	15	15	323	530	2.18	28	6	
32	21	5	24	—	3.5×6×3.1			431	784	4.31	47	8	
40	25	6	29	—	4.5×7.5×4.1			588	1,100	7.24	90	10	
42	27	6	32	—	4.5×7.5×4.1			813	1,570	10.9	102	12	
43	29	6	33	—	4.5×7.5×4.1			813	1,570	11.6	123	13	
48	34	6	31	22	4.5×7.5×4.1	20	20	1,230	2,350	19.7	182	16	
54	38	8	36	24	5.5×9×5.1			1,400	2,740	26.8	247	20	
62	46	8	40	32	5.5×9×5.1			1,560	3,140	43.4	525	25	
74	51	10	49	35	6.6×11×6.1			2,490	5,490	82.8	645	30	

1N  $\div$  0.102kgf    1N  $\cdot$  m  $\div$  0.102kgf  $\cdot$  m

# SMFC TYPE

– Center Mount Round Flange Type –



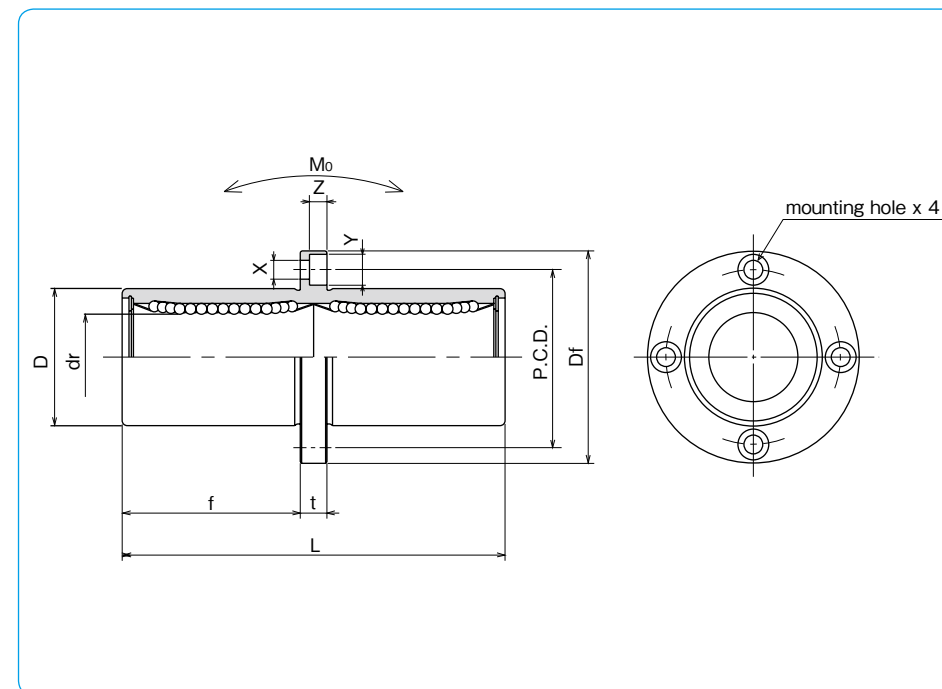
## part number structure

example **SMSFC 25 G UU -SK**

specification <b>SMFC</b> : standard <b>SMSFC</b> : anti-corrosion	outer cylinder surface treatment <b>blank</b> : no surface treatment <b>SK</b> : electroless nickel plating <b>LF</b> : low temperature black chrome treatment with fluoride coating <b>SB</b> : black oxide (not available on anti-corrosion type) <b>SC</b> : industrial chrome plating
inner contact diameter (dr)	seal <b>blank</b> : without seal <b>UU</b> : seals on both sides <b>ZZ</b> : doublelip-seals on both sides
retainer material <b>blank</b> : standard/steel anti-corrosion/stainless steel <b>G</b> : resin	

Doublelip-seal is available for size 6 to 30.

part number				number of ball circuits	dr		major dimensions		
standard steel retainer	anti-corrosion resin retainer	stainless steel retainer	resin retainer		mm	tolerance $\mu\text{m}$	D mm	tolerance $\mu\text{m}$	L $\pm 0.3$ mm
SMFC 6	SMFC 6G	SMSFC 6	SMSFC 6G	4	6	0	12	0	35
SMFC 8	SMFC 8G	SMSFC 8	SMSFC 8G	4	8	0	15	-13	45
SMFC10	SMFC10G	SMSFC10	SMSFC10G	4	10	0	19	0	55
SMFC12	SMFC12G	SMSFC12	SMSFC12G	4	12	-10	21	0	57
SMFC13	SMFC13G	SMSFC13	SMSFC13G	4	13	-10	23	-16	61
SMFC16	SMFC16G	SMSFC16	SMSFC16G	4	16	-10	28	-16	70
SMFC20	SMFC20G	SMSFC20	SMSFC20G	5	20	0	32	0	80
SMFC25	SMFC25G	SMSFC25	SMSFC25G	6	25	-12	40	-19	112
SMFC30	SMFC30G	SMSFC30	SMSFC30G	6	30	-12	45	-19	123
SMFC35	SMFC35G	SMSFC35	SMSFC35G	6	35	0	52	0	135
SMFC40	SMFC40G	SMSFC40	SMSFC40G	6	40	0	60	0	151
SMFC50	SMFC50G	SMSFC50	SMSFC50G	6	50	-15	80	-22	192
SMFC60	SMFC60G	SMSFC60	SMSFC60G	6	60	0/-20	90	0/-25	209



flange					eccentricity $\mu\text{m}$	perpendicularity $\mu\text{m}$	basic load rating		allowable static moment $\text{N}\cdot\text{m}$	mass g	shaft diameter mm
f mm	$D_f$ mm	t mm	P.C.D. mm	$X \times Y \times Z$ mm			dynamic C N	static $C_o$ N			
15	28	5	20	3.5×6×3.1	15	15	323	530	2.18	31	6
20	32	5	24	3.5×6×3.1			431	784	4.31	51	8
24.5	40	6	29	4.5×7.5×4.1			588	1,100	7.24	98	10
25.5	42	6	32	4.5×7.5×4.1			813	1,570	10.9	110	12
27.5	43	6	33	4.5×7.5×4.1			813	1,570	11.6	130	13
32	48	6	38	4.5×7.5×4.1			1,230	2,350	19.7	190	16
36	54	8	43	5.5×9×5.1	20	20	1,400	2,740	26.8	260	20
52	62	8	51	5.5×9×5.1			1,560	3,140	43.4	540	25
56.5	74	10	60	6.6×11×6.1			2,490	5,490	82.8	680	30
62.5	82	10	67	6.6×11×6.1			2,650	6,270	110	1,020	35
69	96	13	78	9×14×8.1	25	25	3,430	8,040	147	1,570	40
89.5	116	13	98	9×14×8.1			6,080	15,900	397	3,600	50
95.5	134	18	112	11×17×11.1			7,550	20,000	530	4,500	60

1N  $\approx$  0.102kgf 1N  $\cdot$  m  $\approx$  0.102kgf  $\cdot$  m

# SMKC TYPE

– Center Mount Square Flange Type –

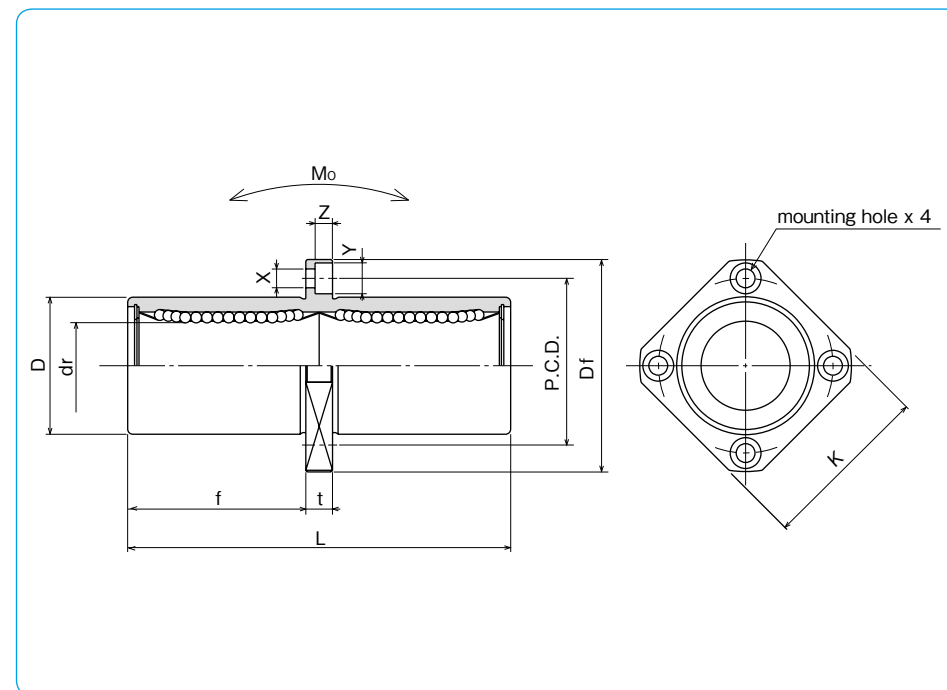


## part number structure

example **SMSKC 25 G UU -SK**

specification <b>SMKC</b> : standard <b>SMSKC</b> : anti-corrosion	outer cylinder surface treatment <b>blank</b> : no surface treatment <b>SK</b> : electroless nickel plating <b>LF</b> : low temperature black chrome treatment with fluoride coating <b>SB</b> : black oxide (not available on anti-corrosion type) <b>SC</b> : industrial chrome plating
inner contact diameter (dr)	seal <b>blank</b> : without seal <b>UU</b> : seals on both sides <b>ZZ</b> : doublelip-seals on both sides
retainer material <b>blank</b> : standard/steel anti-corrosion/stainless steel <b>G</b> : resin	

Doublelip-seal is available for size 6 to 30.



part number				number of ball circuits	major dimensions		
standard steel retainer	anti-corrosion resin retainer	stainless steel retainer	resin retainer		dr (mm)	D (mm)	L (mm)
					tolerance $\mu m$	tolerance $\mu m$	$\pm 0.3$ mm
SMKC 6	SMKC 6G	SMSKC 6	SMSKC 6G	4	6	12	35
SMKC 8	SMKC 8G	SMSKC 8	SMSKC 8G	4	8	15	45
SMKC10	SMKC10G	SMSKC10	SMSKC10G	4	10	19	55
SMKC12	SMKC12G	SMSKC12	SMSKC12G	4	12	21	57
SMKC13	SMKC13G	SMSKC13	SMSKC13G	4	13	23	61
SMKC16	SMKC16G	SMSKC16	SMSKC16G	4	16	28	70
SMKC20	SMKC20G	SMSKC20	SMSKC20G	5	20	32	80
SMKC25	SMKC25G	SMSKC25	SMSKC25G	6	25	40	112
SMKC30	SMKC30G	SMSKC30	SMSKC30G	6	30	45	123
SMKC35	SMKC35G	SMSKC35	SMSKC35G	6	35	52	135
SMKC40	SMKC40G	SMSKC40	SMSKC40G	6	40	60	151
SMKC50	SMKC50G	SMSKC50	SMSKC50G	6	50	80	192
SMKC60	SMKC60G	SMSKC60	SMSKC60G	6	60	90	209

f (mm)	Df (mm)	flange			eccentricity $\mu m$	perpendicularity $\mu m$	basic load rating		allowable static moment $N \cdot m$	mass (g)	shaft diameter (mm)	
		K (mm)	t (mm)	P.C.D. (mm)			X × Y × Z (mm)	dynamic (C N)				static (Co N)
15	28	22	5	20	3.5 × 6 × 3.1	15	15	323	530	2.18	25	6
20	32	25	5	24	3.5 × 6 × 3.1			431	784	4.31	43	8
24.5	40	30	6	29	4.5 × 7.5 × 4.1			588	1,100	7.24	78	10
25.5	42	32	6	32	4.5 × 7.5 × 4.1			813	1,570	10.9	90	12
27.5	43	34	6	33	4.5 × 7.5 × 4.1			813	1,570	11.6	108	13
32	48	37	6	38	4.5 × 7.5 × 4.1	20	20	1,230	2,350	19.7	165	16
36	54	42	8	43	5.5 × 9 × 5.1			1,400	2,740	26.8	225	20
52	62	50	8	51	5.5 × 9 × 5.1			1,560	3,140	43.4	500	25
56.5	74	58	10	60	6.6 × 11 × 6.1			2,490	5,490	82.8	590	30
62.5	82	64	10	67	6.6 × 11 × 6.1			2,650	6,270	110	930	35
69	96	75	13	78	9 × 14 × 8.1	25	25	3,430	8,040	147	1,380	40
89.5	116	92	13	98	9 × 14 × 8.1			6,080	15,900	397	3,400	50
95.5	134	106	18	112	11 × 17 × 11.1			7,550	20,000	530	4,060	60

1N  $\approx$  0.102kgf 1N  $\cdot$  m  $\approx$  0.102kgf  $\cdot$  m

# SMTC TYPE

- Two Side Cut Center Flange Type -



## part number structure

example **SMSTC 25 G UU -SK**

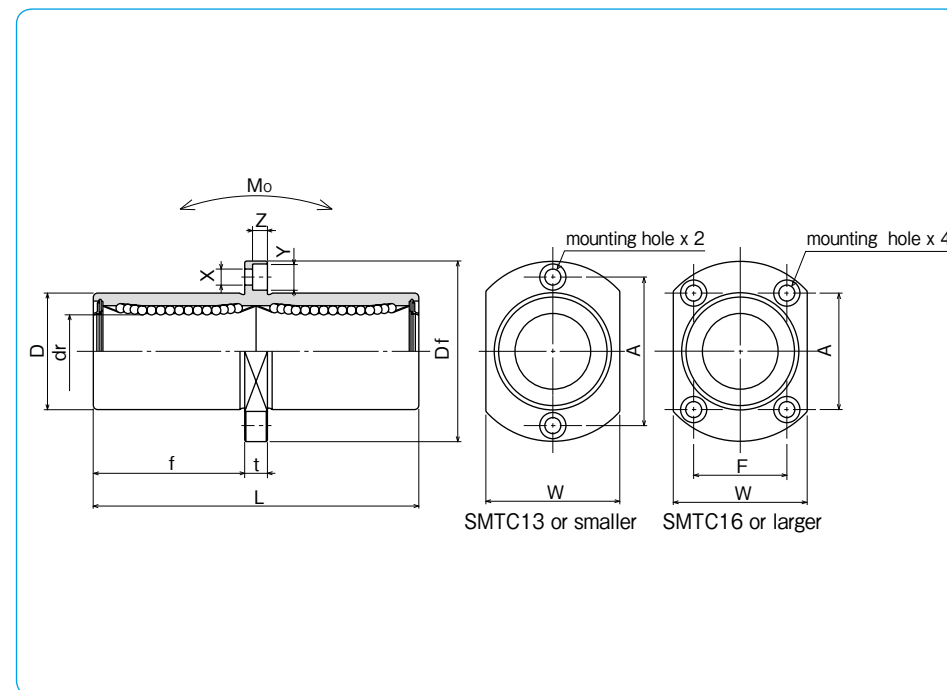
specification  
**SMTC**: standard  
**SMSTC**: anti-corrosion

inner contact diameter (dr)

retainer material  
**blank**: standard/steel  
 anti-corrosion/stainless steel  
**G**: resin

outer cylinder  
 surface treatment  
**blank**: no surface treatment  
**SK**: electroless nickel plating  
**LF**: low temperature black chrome  
 treatment with fluoride coating  
**SB**: black oxide (not available on  
 anti-corrosion type)  
**SC**: industrial chrome plating

seal  
**UU**: seals on both sides  
**ZZ**: doublelip-seals on both sides



part number*				number of ball circuits	major dimensions			
standard steel retainer	resin retainer	anti-corrosion stainless retainer	resin retainer		dr mm	D mm	L ±0.3 mm	
				mm	tolerance μm	mm	tolerance μm	
SMTC 6UU	SMTC 6GUU	SMSTC 6UU	SMSTC 6GUU	4	6	12	0	35
SMTC 8UU	SMTC 8GUU	SMSTC 8UU	SMSTC 8GUU	4	8	15	-13	45
SMTC10UU	SMTC10GUU	SMSTC10UU	SMSTC10GUU	4	10	19	0	55
SMTC12UU	SMTC12GUU	SMSTC12UU	SMSTC12GUU	4	12	21	0	57
SMTC13UU	SMTC13GUU	SMSTC13UU	SMSTC13GUU	4	13	23	-16	61
SMTC16UU	SMTC16GUU	SMSTC16UU	SMSTC16GUU	4	16	28		70
SMTC20UU	SMTC20GUU	SMSTC20UU	SMSTC20GUU	5	20	32	0	80
SMTC25UU	SMTC25GUU	SMSTC25UU	SMSTC25GUU	6	25	40	-19	112
SMTC30UU	SMTC30GUU	SMSTC30UU	SMSTC30GUU	6	30	45		123

\* Seals-on-both-sides is standard.

f mm	Df mm	W mm	t mm	A mm	F mm	X×Y×Z mm	eccentricity μm	perpendicularity μm	basic load rating		allowable static moment N·m	mass g	shaft diameter mm
									dynamic C N	static Co N			
15	28	18	5	20	-	3.5×6×3.1	15	15	323	530	2.18	28	6
20	32	21	5	24	-	3.5×6×3.1			431	784	4.31	47	8
24.5	40	25	6	29	-	4.5×7.5×4.1			588	1,100	7.24	90	10
25.5	42	27	6	32	-	4.5×7.5×4.1			813	1,570	10.9	102	12
27.5	43	29	6	33	-	4.5×7.5×4.1			813	1,570	11.6	123	13
32	48	34	6	31	22	4.5×7.5×4.1			1,230	2,350	19.7	182	16
36	54	38	8	36	24	5.5×9×5.1	20	20	1,400	2,740	26.8	247	20
52	62	46	8	40	32	5.5×9×5.1			1,560	3,140	43.4	525	25
56.5	74	51	10	49	35	6.6×11×6.1			2,490	5,490	82.8	645	30

1N ÷ 0.102kgf 1N · m ÷ 0.102kgf · m

# SMF-W-E TYPE

— Round Flange Double-Wide Pilot End Type —



## part number structure

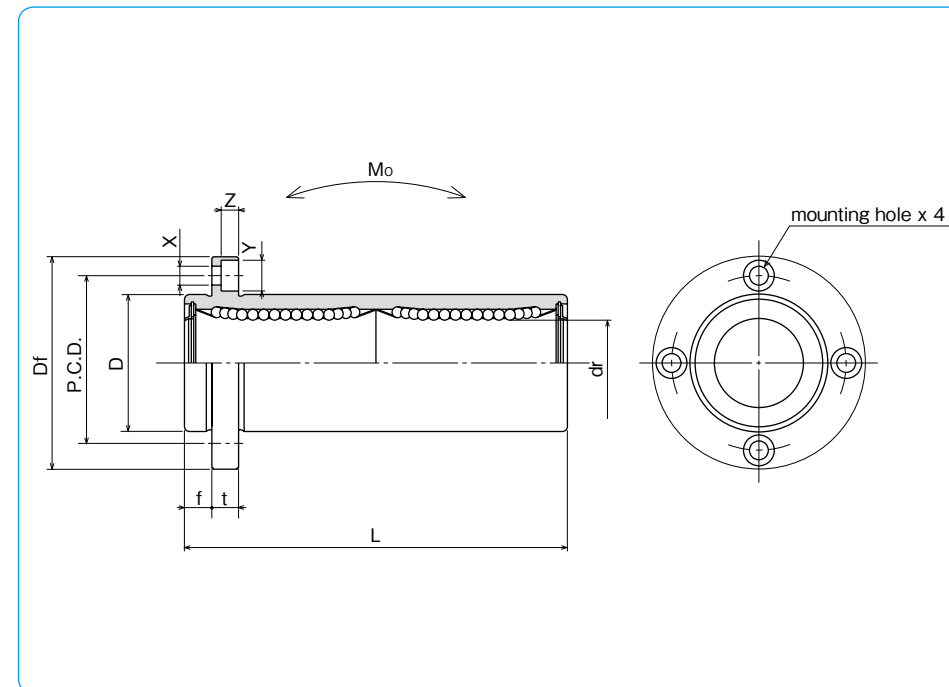
example **SMSF 25 G W UU - E - SK**

specification <b>SMF</b> : standard <b>SMSF</b> : anti-corrosion	outer cylinder surface treatment <b>blank</b> : no surface treatment <b>SK</b> : electroless nickel plating <b>LF</b> : low temperature black chrome treatment with fluoride coating <b>SB</b> : black oxide (not available on anti-corrosion type) <b>SC</b> : industrial chrome plating
inner contact diameter (dr)	with pilot end
retainer material <b>blank</b> : standard/steel anti-corrosion/stainless steel <b>G</b> : resin	seal <b>UU</b> : seals on both sides <b>ZZ</b> : doublelip-seals on both sides
double-wide type	

Doublelip-seal is available for size 6 to 30.

part number*				number of ball circuits	dr		major dimensions		
standard steel retainer	resin retainer	anti-corrosion stainless retainer	anti-corrosion resin retainer		mm	tolerance $\mu\text{m}$	D mm	tolerance $\mu\text{m}$	L $\pm 0.3$ mm
SMF 6WUU-E	SMF 6GWUU-E	SMSF 6WUU-E	SMSF 6GWUU-E	4	6	12	0	35	
SMF 8WUU-E	SMF 8GWUU-E	SMSF 8WUU-E	SMSF 8GWUU-E	4	8	15	-13	45	
SMF 10WUU-E	SMF 10GWUU-E	SMSF 10WUU-E	SMSF 10GWUU-E	4	10	19	0	55	
SMF 12WUU-E	SMF 12GWUU-E	SMSF 12WUU-E	SMSF 12GWUU-E	4	12	21	0	57	
SMF 13WUU-E	SMF 13GWUU-E	SMSF 13WUU-E	SMSF 13GWUU-E	4	13	23	-16	61	
SMF 16WUU-E	SMF 16GWUU-E	SMSF 16WUU-E	SMSF 16GWUU-E	4	16	28	0	70	
SMF 20WUU-E	SMF 20GWUU-E	SMSF 20WUU-E	SMSF 20GWUU-E	5	20	32	0	80	
SMF 25WUU-E	SMF 25GWUU-E	SMSF 25WUU-E	SMSF 25GWUU-E	6	25	40	-19	112	
SMF 30WUU-E	SMF 30GWUU-E	SMSF 30WUU-E	SMSF 30GWUU-E	6	30	45	0	123	
SMF 35WUU-E	SMF 35GWUU-E	—	—	6	35	52	0	135	
SMF 40WUU-E	SMF 40GWUU-E	—	—	6	40	60	0	151	
SMF 50WUU-E	SMF 50GWUU-E	—	—	6	50	80	-22	192	
SMF 60WUU-E	SMF 60GWUU-E	—	—	6	60	90	0/-25	209	

\* Seals-on-both-sides is standard.



f mm	Df mm	flange			eccentricity $\mu\text{m}$	perpendicularity $\mu\text{m}$	basic load rating			mass g	shaft diameter mm
		t mm	P.C.D. mm	X×Y×Z mm			dynamic C N	static Co N	allowable static moment Mo N·m		
5	28	5	20	3.5×6×3.1	15	15	323	530	2.18	31	6
5	32	5	24	3.5×6×3.1			431	784	4.31	51	8
6	40	6	29	4.5×7.5×4.1			588	1,100	7.24	98	10
6	42	6	32	4.5×7.5×4.1			813	1,570	10.9	110	12
6	43	6	33	4.5×7.5×4.1			813	1,570	11.6	130	13
6	48	6	38	4.5×7.5×4.1			1,230	2,350	19.7	190	16
8	54	8	43	5.5×9×5.1	20	20	1,400	2,740	26.8	260	20
8	62	8	51	5.5×9×5.1			1,560	3,140	43.4	540	25
10	74	10	60	6.6×11×6.1			2,490	5,490	82.8	680	30
10	82	10	67	6.6×11×6.1			2,650	6,270	110	1,020	35
13	96	13	78	9×14×8.1	25	25	3,430	8,040	147	1,570	40
13	116	13	98	9×14×8.1			6,080	15,900	397	3,600	50
18	134	18	112	11×17×11.1			7,550	20,000	530	4,500	60

1N  $\approx$  0.102kgf 1N · m  $\approx$  0.102kgf · m

# SMK-W-E TYPE

— Square Flange Double-Wide Pilot End Type —



## part number structure

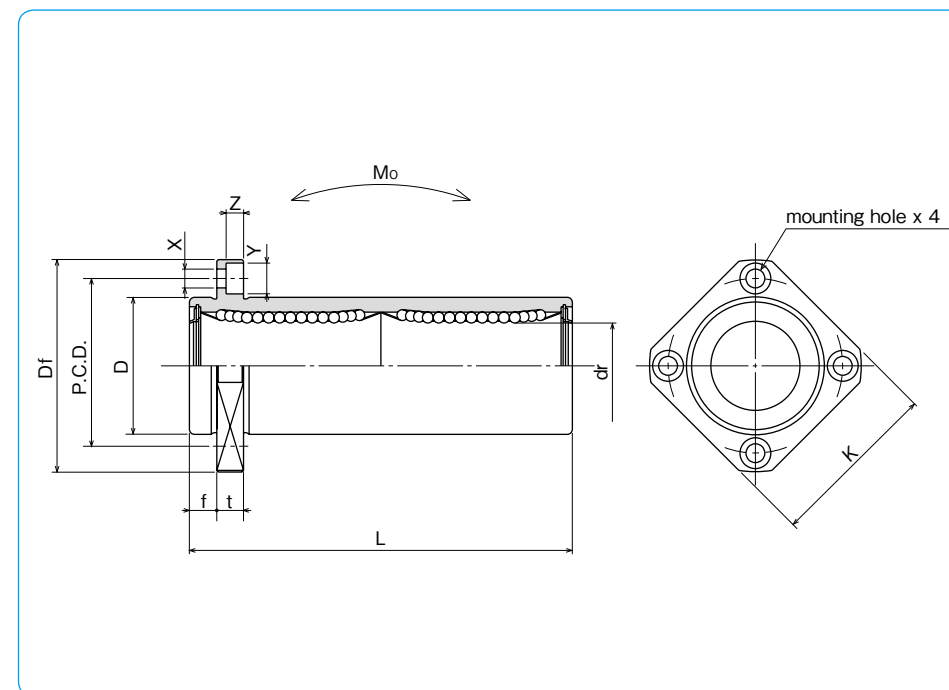
example **SMSK 25 G W UU - E - SK**

specification <b>SMK</b> : standard <b>SMSK</b> : anti-corrosion	outer cylinder surface treatment <b>blank</b> : no surface treatment <b>SK</b> : electroless nickel plating <b>LF</b> : low temperature black chrome treatment with fluoride coating <b>SB</b> : black oxide (not available on anti-corrosion type) <b>SC</b> : industrial chrome plating
inner contact diameter (dr)	with pilot end
retainer material <b>blank</b> : standard/steel anti-corrosion/stainless steel <b>G</b> : resin	seal <b>UU</b> : seals on both sides <b>ZZ</b> : doublelip-seals on both sides
double-wide type	

Doublelip-seal is available for size 6 to 30.

part number*				number of ball circuits	major dimensions		
standard steel retainer	standard resin retainer	anti-corrosion stainless retainer	anti-corrosion resin retainer		dr mm	D mm	L mm
SMK 6WUU-E	SMK 6GWUU-E	SMSK 6WUU-E	SMSK 6GWUU-E	4	6	12	35
SMK 8WUU-E	SMK 8GWUU-E	SMSK 8WUU-E	SMSK 8GWUU-E	4	8	15	45
SMK 10WUU-E	SMK 10GWUU-E	SMSK 10WUU-E	SMSK 10GWUU-E	4	10	19	55
SMK 12WUU-E	SMK 12GWUU-E	SMSK 12WUU-E	SMSK 12GWUU-E	4	12	21	57
SMK 13WUU-E	SMK 13GWUU-E	SMSK 13WUU-E	SMSK 13GWUU-E	4	13	23	61
SMK 16WUU-E	SMK 16GWUU-E	SMSK 16WUU-E	SMSK 16GWUU-E	4	16	28	70
SMK 20WUU-E	SMK 20GWUU-E	SMSK 20WUU-E	SMSK 20GWUU-E	5	20	32	80
SMK 25WUU-E	SMK 25GWUU-E	SMSK 25WUU-E	SMSK 25GWUU-E	6	25	40	112
SMK 30WUU-E	SMK 30GWUU-E	SMSK 30WUU-E	SMSK 30GWUU-E	6	30	45	123
SMK 35WUU-E	SMK 35GWUU-E	—	—	6	35	52	135
SMK 40WUU-E	SMK 40GWUU-E	—	—	6	40	60	151
SMK 50WUU-E	SMK 50GWUU-E	—	—	6	50	80	192
SMK 60WUU-E	SMK 60GWUU-E	—	—	6	60	90	209

\* Seals-on-both-sides is standard.



f mm	Df mm	flange			P.C.D. mm	X×Y×Z mm	eccentricity μm	perpendicularity μm	basic load rating		allowable static moment Mo N·m	mass g	shaft diameter mm
		K mm	t mm	C N					Co N				
5	28	22	5	20	3.5×6×3.1	15	15	323	530	2.18	25	6	
5	32	25	5	24	3.5×6×3.1			431	784	4.31	43	8	
6	40	30	6	29	4.5×7.5×4.1			588	1,100	7.24	78	10	
6	42	32	6	32	4.5×7.5×4.1			813	1,570	10.9	90	12	
6	43	34	6	33	4.5×7.5×4.1			813	1,570	11.6	108	13	
6	48	37	6	38	4.5×7.5×4.1			1,230	2,350	19.7	165	16	
8	54	42	8	43	5.5×9×5.1	20	20	1,400	2,740	26.8	225	20	
8	62	50	8	51	5.5×9×5.1			1,560	3,140	43.4	500	25	
10	74	58	10	60	6.6×11×6.1			2,490	5,490	82.8	590	30	
10	82	64	10	67	6.6×11×6.1			2,650	6,270	110	930	35	
13	96	75	13	78	9×14×8.1	25	25	3,430	8,040	147	1,380	40	
13	116	92	13	98	9×14×8.1			6,080	15,900	397	3,400	50	
18	134	106	18	112	11×17×11.1			7,550	20,000	530	4,060	60	

1N≒0.102kgf 1N·m≒0.102kgf·m

# SMT-W-E TYPE

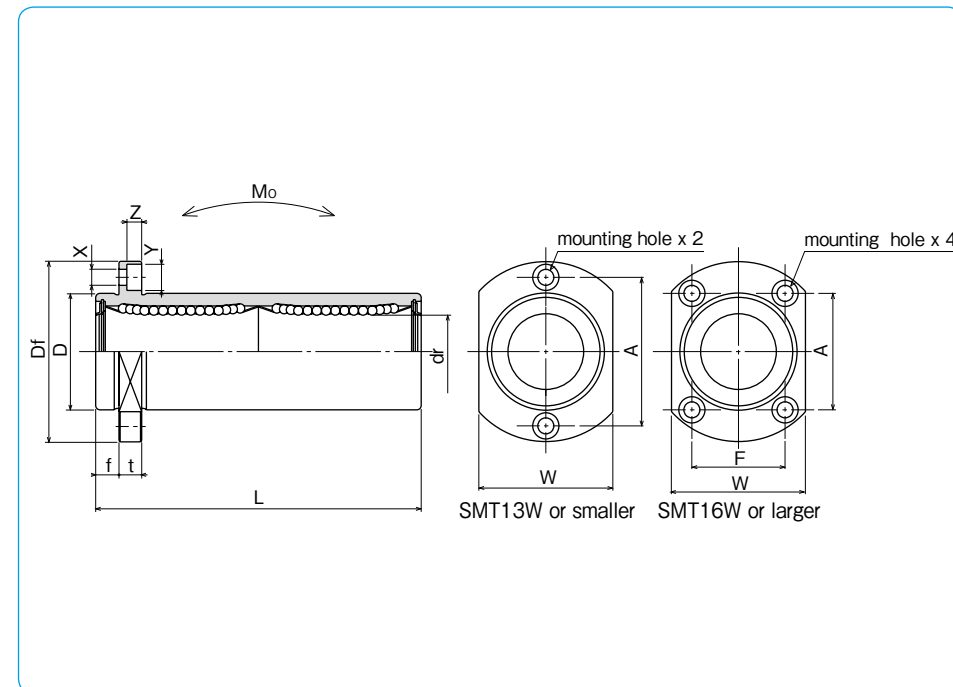
— Two Side Cut Double-Wide Flange Pilot End Type —



## part number structure

example **SMST 25 G W UU - E - SK**

specification <b>SMT</b> : standard <b>SMST</b> : anti-corrosion	outer cylinder surface treatment <b>blank</b> : no surface treatment <b>SK</b> : electroless nickel plating <b>LF</b> : low temperature black chrome treatment with fluoride coating <b>SB</b> : black oxide (not available on anti-corrosion type) <b>SC</b> : industrial chrome plating
inner contact diameter (dr)	with pilot end
retainer material <b>blank</b> : standard/steel anti-corrosion/stainless steel <b>G</b> : resin	seal <b>UU</b> : seals on both sides <b>ZZ</b> : doublelip-seals on both sides
double-wide type	



part number*				number of ball circuits	major dimensions			
standard steel retainer	standard resin retainer	anti-corrosion stainless retainer	anti-corrosion resin retainer		dr	D	L	
				mm	tolerance $\mu\text{m}$	mm	tolerance $\mu\text{m}$	$\pm 0.3$ mm
SMT 6WUU-E	SMT 6GWUU-E	SMST 6WUU-E	SMST 6GWUU-E	4	6	12	0	35
SMT 8WUU-E	SMT 8GWUU-E	SMST 8WUU-E	SMST 8GWUU-E	4	8	15	-13	45
SMT 10WUU-E	SMT 10GWUU-E	SMST 10WUU-E	SMST 10GWUU-E	4	10	19	0	55
SMT 12WUU-E	SMT 12GWUU-E	SMST 12WUU-E	SMST 12GWUU-E	4	12	21	0	57
SMT 13WUU-E	SMT 13GWUU-E	SMST 13WUU-E	SMST 13GWUU-E	4	13	23	-16	61
SMT 16WUU-E	SMT 16GWUU-E	SMST 16WUU-E	SMST 16GWUU-E	4	16	28		70
SMT 20WUU-E	SMT 20GWUU-E	SMST 20WUU-E	SMST 20GWUU-E	5	20	32	0	80
SMT 25WUU-E	SMT 25GWUU-E	SMST 25WUU-E	SMST 25GWUU-E	6	25	40	-19	112
SMT 30WUU-E	SMT 30GWUU-E	SMST 30WUU-E	SMST 30GWUU-E	6	30	45		123

\* Seals-on-both-sides is standard.

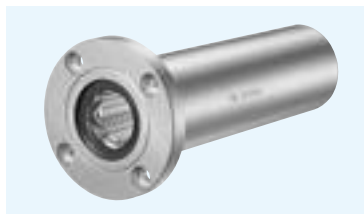
flange							eccentricity $\mu\text{m}$	perpendicularity $\mu\text{m}$	basic load rating		allowable static moment $\text{N} \cdot \text{m}$	mass g	shaft diameter mm
f mm	Df mm	W mm	t mm	A mm	F mm	X×Y×Z mm			dynamic C N	static Co N			
5	28	18	5	20	—	3.5×6×3.1	15	15	323	530	2.18	28	6
5	32	21	5	24	—	3.5×6×3.1			431	784	4.31	47	8
6	40	25	6	29	—	4.5×7.5×4.1			588	1,100	7.24	90	10
6	42	27	6	32	—	4.5×7.5×4.1			813	1,570	10.9	102	12
6	43	29	6	33	—	4.5×7.5×4.1			813	1,570	11.6	123	13
6	48	34	6	31	22	4.5×7.5×4.1			1,230	2,350	19.7	182	16
8	54	38	8	36	24	5.5×9×5.1	20	20	1,400	2,740	26.8	247	20
8	62	46	8	40	32	5.5×9×5.1			1,560	3,140	43.4	525	25
10	74	51	10	49	35	6.6×11×6.1			2,490	5,490	82.8	645	30

1N  $\div$  0.102kgf 1N  $\cdot$  m  $\div$  0.102kgf  $\cdot$  m

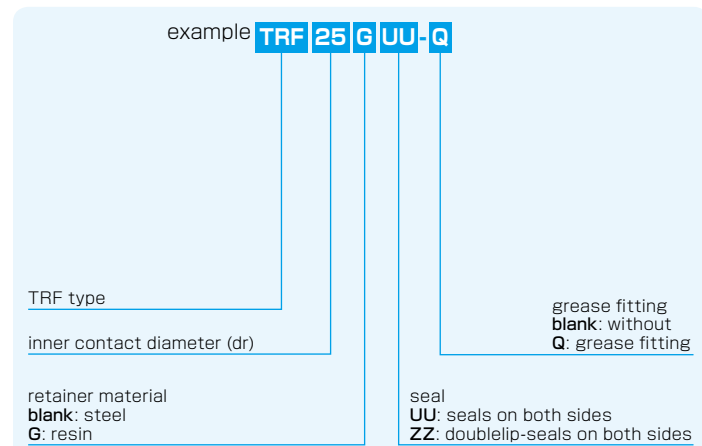


# TRF TYPE

– Triple-Wide Round Flange Type –



## part number structure



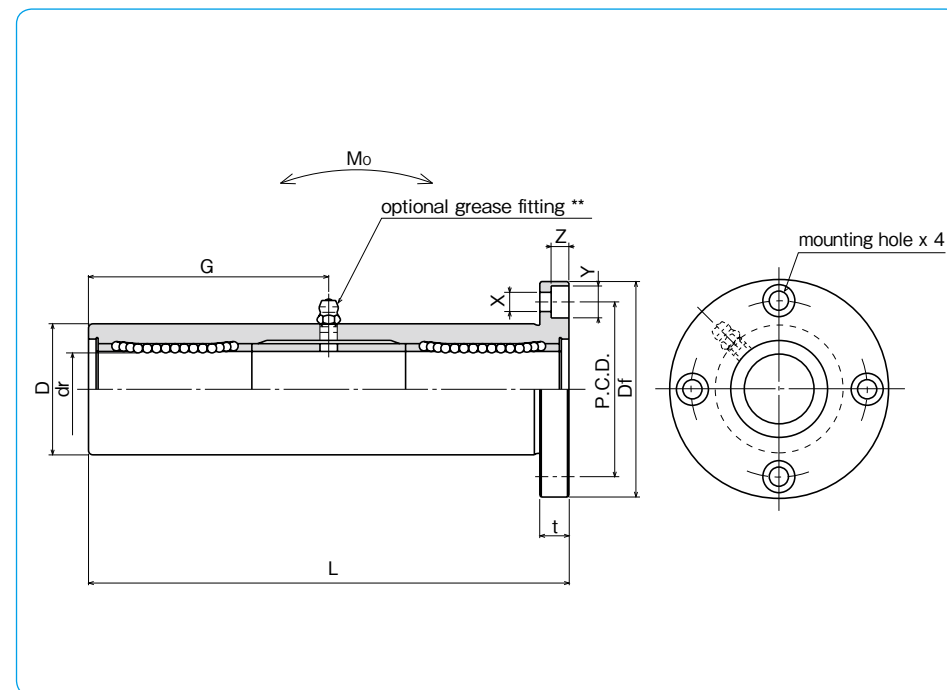
Doublelip-seal is available for size 6 to 30.

part number*		number of ball circuits	dr		major dimensions		
steel retainer	resin retainer		mm	tolerance $\mu\text{m}$	D	tolerance $\mu\text{m}$	L $\pm 0.3$ mm
TRF 6UU	TRF 6GUU	4	6	0	15	0/-18	51
TRF 8UU	TRF 8GUU	4	8	-12	19		66
TRF10UU	TRF10GUU	4	10		23	0	80
TRF12UU	TRF12GUU	4	12	0	26	-21	84
TRF13UU	TRF13GUU	4	13	-15	28		90
TRF16UU	TRF16GUU	4	16		32	0	103
TRF20UU	TRF20GUU	5	20	0	40	-25	118
TRF25UU	TRF25GUU	6	25	-18	45		165
TRF30UU	TRF30GUU	6	30		52	0	182
TRF35UU	TRF35GUU	6	35	0	60	-30	200
TRF40UU	TRF40GUU	6	40	-21	65		230
TRF50UU	TRF50GUU	6	50		85	0	290
TRF60UU	TRF60GUU	6	60	0/-25	100	-35	310

Outer cylinder is treated with electroless nickel plating.

\* Seals-on-both-sides is standard.

\*\* TRF6: A-MT6x1 TRF8: A-M6x1 TRF10~30: A-M6F TRF35~60: A-R1/8

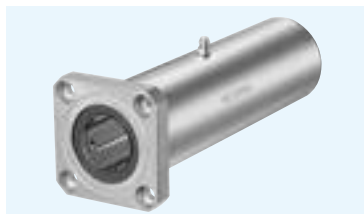


Df mm	t mm	flange		grease fitting G mm	eccentricity $\mu\text{m}$	perpendicularity $\mu\text{m}$	basic load rating		allowable static moment $\text{N} \cdot \text{m}$	mass g	shaft diameter mm
		P.C.D. mm	X × Y × Z mm				dynamic C N	static Co N			
32	5	24	3.5 × 6 × 3.1	20.5	20	20	323	530	8.2	66	6
40	6	29	4.5 × 7.5 × 4.1	29			431	784	16.0	135	8
43	6	33	4.5 × 7.5 × 4.1	38			588	1,100	27.0	205	10
46	6	36	4.5 × 7.5 × 4.1	41			813	1,570	40.1	248	12
48	6	38	4.5 × 7.5 × 4.1	45			813	1,570	42.9	308	13
54	8	43	5.5 × 9 × 5.1	51	25	25	1,230	2,350	73.5	412	16
62	8	51	5.5 × 9 × 5.1	59			1,400	2,740	98.0	752	20
74	10	60	6.6 × 11 × 6.1	82.5			1,560	3,140	157	1,244	25
82	10	67	6.6 × 11 × 6.1	91			2,490	5,490	297	1,636	30
96	13	78	9 × 14 × 8.1	100			2,650	6,270	373	2,580	35
101	13	83	9 × 14 × 8.1	115	30	30	3,430	8,040	553	2,950	40
129	18	107	11 × 17 × 11.1	145			6,080	15,900	1,370	6,860	50
144	18	122	11 × 17 × 11.1	155			7,550	20,000	1,800	9,660	60

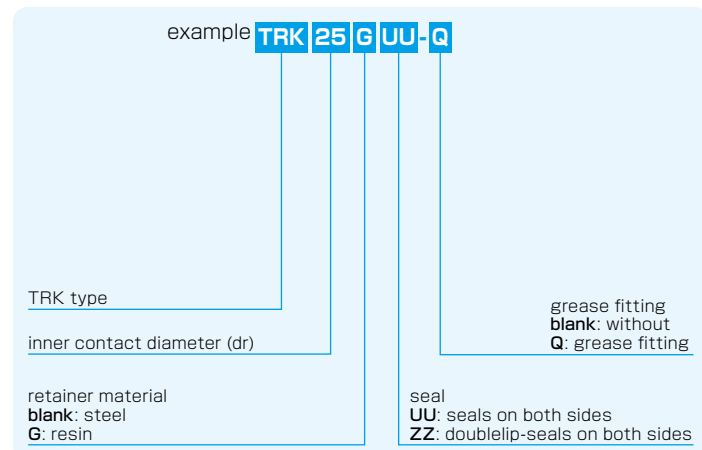
1N ≒ 0.102kgf 1N · m ≒ 0.102kgf · m

# TRK TYPE

– Triple-Wide Square Flange Type –



## part number structure



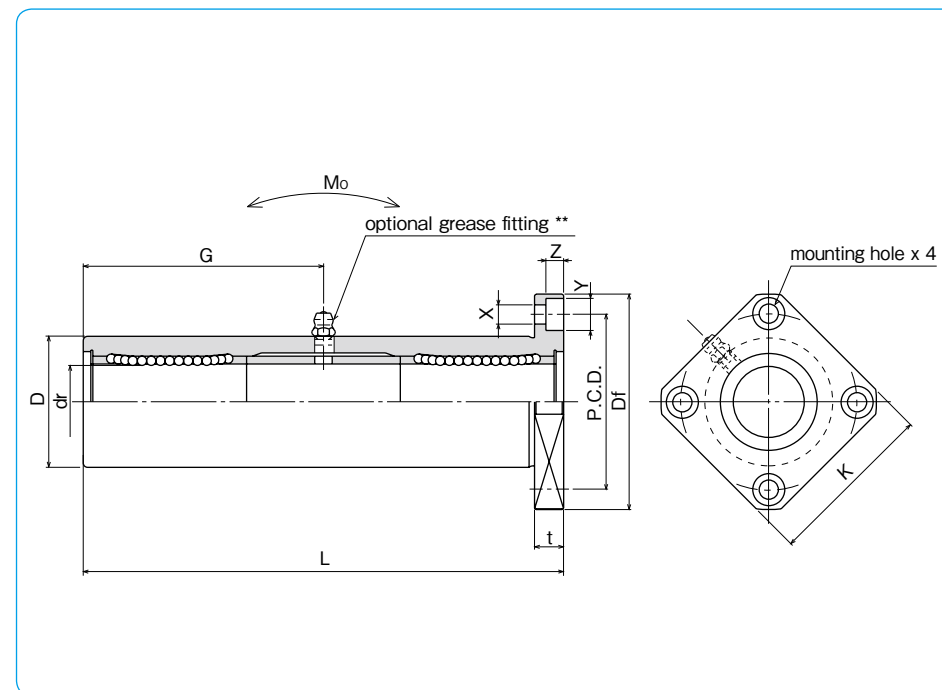
Doublelip-seal is available for size 6 to 30.

part number*		number of ball circuits	dr		major dimensions		
steel retainer	resin retainer		mm	tolerance $\mu\text{m}$	D	tolerance $\mu\text{m}$	L $\pm 0.3$ mm
TRK 6UU	TRK 6GUU	4	6		15	0/-18	51
TRK 8UU	TRK 8GUU	4	8	0	19		66
TRK 10UU	TRK 10GUU	4	10	-12	23	0	80
TRK 12UU	TRK 12GUU	4	12		26	-21	84
TRK 13UU	TRK 13GUU	4	13	0	28		90
TRK 16UU	TRK 16GUU	4	16	-15	32		103
TRK 20UU	TRK 20GUU	5	20		40	0	118
TRK 25UU	TRK 25GUU	6	25	0	45	-25	165
TRK 30UU	TRK 30GUU	6	30	-18	52		182
TRK 35UU	TRK 35GUU	6	35		60	0	200
TRK 40UU	TRK 40GUU	6	40	0	65	-30	230
TRK 50UU	TRK 50GUU	6	50	-21	85	0	290
TRK 60UU	TRK 60GUU	6	60	0/-25	100	-35	310

Outer cylinder is treated with electroless nickel plating.

\* Seals-on-both-sides is standard.

\*\* TRK6: A-MT6x1 TRK8: A-M6x1 TRK10~30: A-M6F TRK35~60: A-R1/8

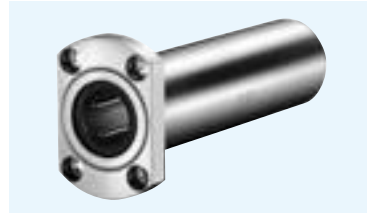


Df mm	K mm	flange			grease fitting G mm	eccentricity $\mu\text{m}$	perpendicularity $\mu\text{m}$	basic load rating		allowable static moment $\text{Mo}$ N·m	mass g	shaft diameter mm
		t mm	P.C.D. mm	X×Y×Z mm				dynamic C N	static Co N			
32	25	5	24	3.5×6×3.1	20.5	20	20	323	530	8.2	58	6
40	30	6	29	4.5×7.5×4.1	29			431	784	16.0	117	8
43	34	6	33	4.5×7.5×4.1	38			588	1,100	27.0	189	10
46	35	6	36	4.5×7.5×4.1	41			813	1,570	40.1	228	12
48	37	6	38	4.5×7.5×4.1	45			813	1,570	42.9	286	13
54	42	8	43	5.5×9×5.1	51	25	25	1,230	2,350	73.5	376	16
62	50	8	51	5.5×9×5.1	59			1,400	2,740	98.0	714	20
74	58	10	60	6.6×11×6.1	82.5			1,560	3,140	157	1,163	25
82	64	10	67	6.6×11×6.1	91			2,490	5,490	297	1,543	30
96	75	13	78	9×14×8.1	100			2,650	6,270	373	2,400	35
101	80	13	83	9×14×8.1	115	30	30	3,430	8,040	553	2,510	40
129	100	18	107	11×17×11.1	145			6,080	15,900	1,370	6,400	50
144	116	18	122	11×17×11.1	155			7,550	20,000	1,800	9,200	60

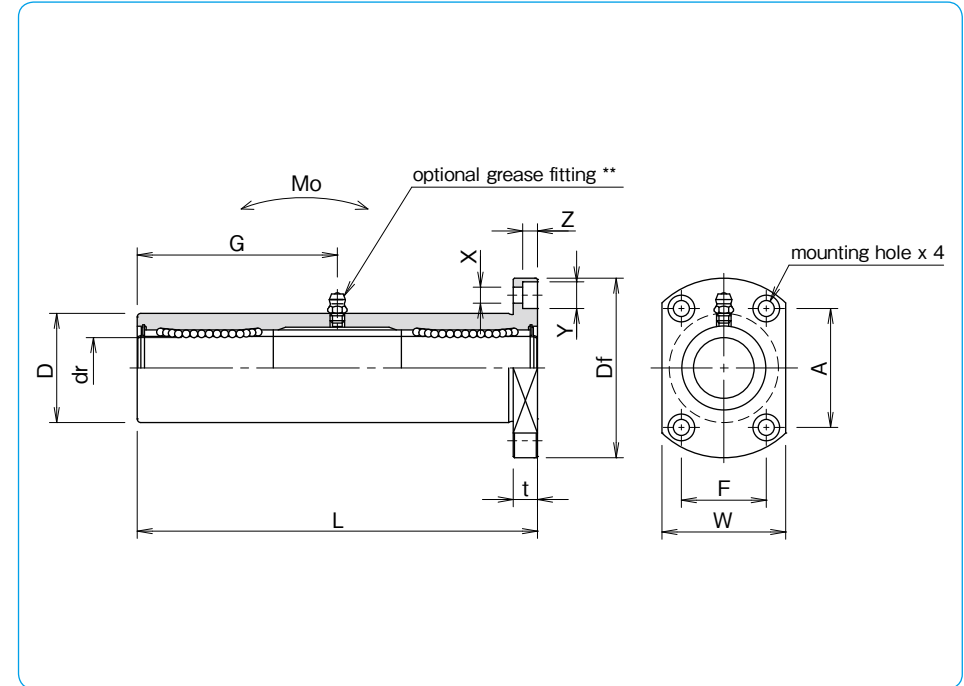
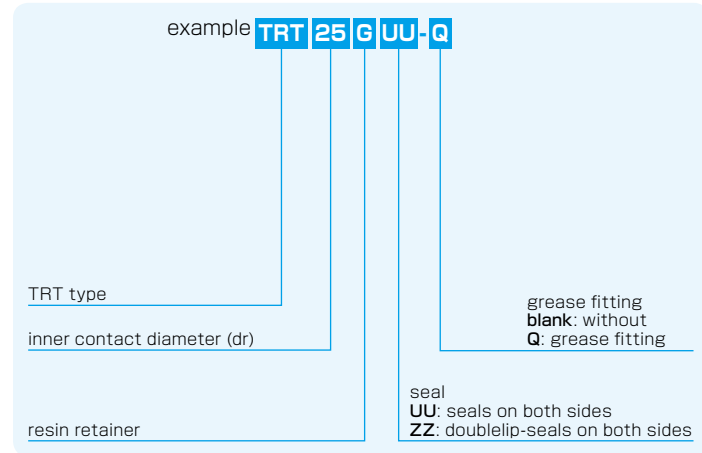
1N  $\approx$  0.102kgf 1N · m  $\approx$  0.102kgf · m

# TRT TYPE

– Triple-Wide Two Side Cut Flange Type –



## part number structure



part number*	number of ball circuits	dr		D		major dimensions					flange	
		mm	tolerance $\mu\text{m}$	mm	tolerance $\mu\text{m}$	L $\pm 0.3$ mm	Df mm	W mm	t mm	A mm	F mm	
TRT12GUU	4	12	0	26	0	84	46	32	6	28	22	
TRT13GUU	4	13	0	28	-21	90	48	34	6	31	22	
TRT16GUU	4	16	-15	32	0	103	54	38	8	36	24	
TRT20GUU	5	20	0	40	-25	118	62	46	8	40	32	
TRT25GUU	6	25	-18	45	0	165	74	51	10	49	35	
TRT30GUU	6	30	-18	52	0/-30	182	82	58	10	55	38	

Outer cylinder is treated with electroless nickel plating.

\* Seals-on-both-sides is standard.

\*\*TRT12G~30G: A-M6F

X×Y×Z mm	grease fitting G mm	eccentricity $\mu\text{m}$	perpendicularity $\mu\text{m}$	basic load rating		allowable static moment Mo N·m	shaft diameter mm
				dynamic C N	static Co N		
4.5×7.5×4.1	41	20	20	813	1,570	40.1	12
4.5×7.5×4.1	45			813	1,570	42.9	13
5.5×9×5.1	51	25	25	1,230	2,350	73.5	16
5.5×9×5.1	59			1,400	2,740	98.0	20
6.6×11×6.1	82.5			1,560	3,140	157	25
6.6×11×6.1	91			2,490	5,490	297	30

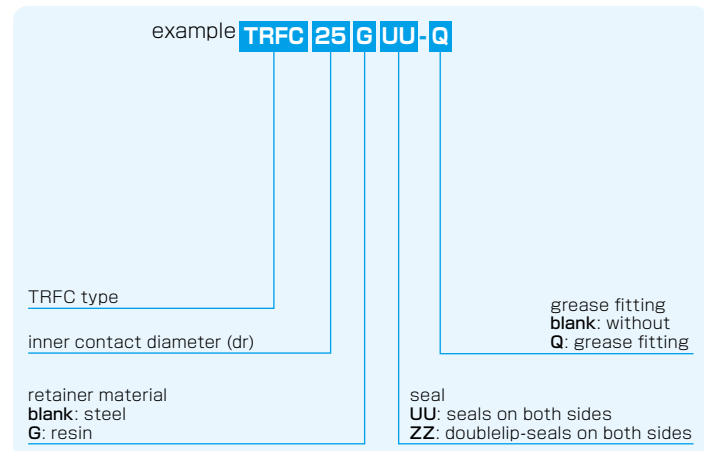
1N  $\approx$  0.102kgf 1N·m  $\approx$  0.102kgf·m

# TRFC TYPE

— Triple-Wide Intermediate Position Round Flange Type —



## part number structure



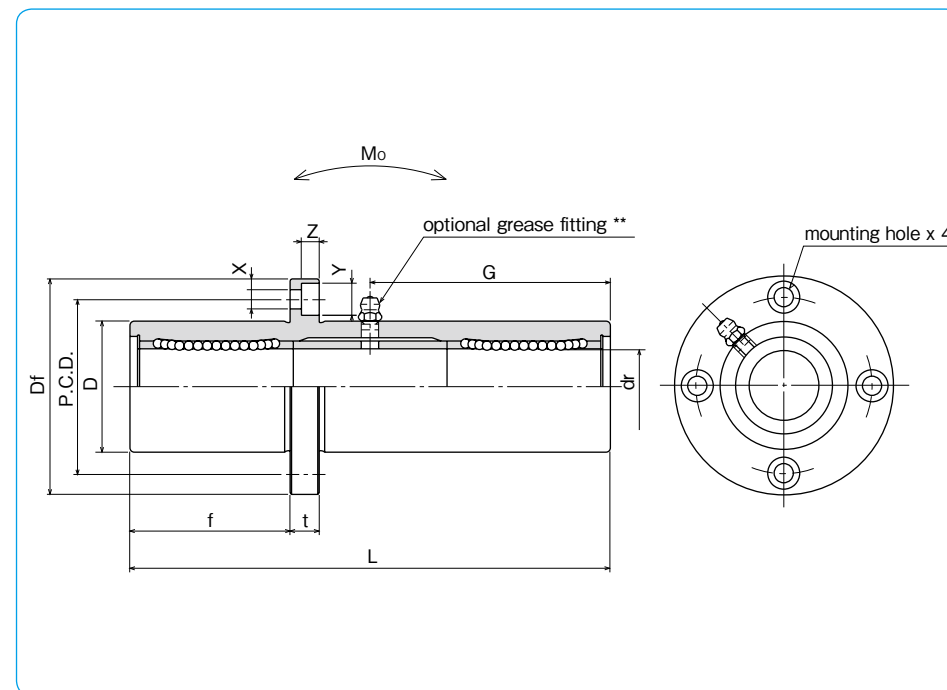
Doublelip-seal is available for size 6 to 30.

part number*		number of ball circuits	dr		major dimensions		
steel retainer	resin retainer		mm	tolerance $\mu\text{m}$	D	tolerance $\mu\text{m}$	L $\pm 0.3$ mm
TRFC 6UU	TRFC 6GUU	4	6	0	15	0/-18	51
TRFC 8UU	TRFC 8GUU	4	8	-12	19		66
TRFC 10UU	TRFC 10GUU	4	10		23	0	80
TRFC 12UU	TRFC 12GUU	4	12		26	-21	84
TRFC 13UU	TRFC 13GUU	4	13	0	28		90
TRFC 16UU	TRFC 16GUU	4	16	-15	32		103
TRFC 20UU	TRFC 20GUU	5	20		40	0	118
TRFC 25UU	TRFC 25GUU	6	25	0	45	-25	165
TRFC 30UU	TRFC 30GUU	6	30	-18	52		182
TRFC 35UU	TRFC 35GUU	6	35		60	0	200
TRFC 40UU	TRFC 40GUU	6	40	0	65	-30	230
TRFC 50UU	TRFC 50GUU	6	50	-21	85	0	290
TRFC 60UU	TRFC 60GUU	6	60	0/-25	100	-35	310

Outer cylinder is treated with electroless nickel plating.

\* Seals-on-both-sides is standard.

\*\* TRFC6: A-MT6x1 TRFC8: A-M6x1 TRFC10~30: A-M6F TRFC35~60: A-R1/8

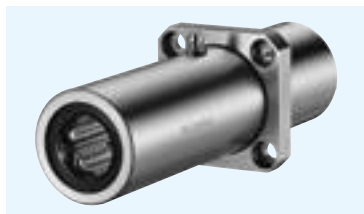


f mm	Df mm	flange			grease fitting G mm	eccentricity $\mu\text{m}$	perpendicularity $\mu\text{m}$	basic load rating		allowable static moment $M_o$ N·m	mass g	shaft diameter mm
		t mm	P.C.D. mm	X×Y×Z mm				dynamic C N	static Co N			
17	32	5	24	3.5×6×3.1	20.5	20	20	323	530	8.2	66	6
22	40	6	29	4.5×7.5×4.1	29			431	784	16.0	135	8
27	43	6	33	4.5×7.5×4.1	38			588	1,100	27.0	205	10
28	46	6	36	4.5×7.5×4.1	41			813	1,570	40.1	248	12
30	48	6	38	4.5×7.5×4.1	45			813	1,570	42.9	308	13
35	54	8	43	5.5×9×5.1	51	25	25	1,230	2,350	73.5	412	16
40	62	8	51	5.5×9×5.1	59			1,400	2,740	98.0	752	20
55	74	10	60	6.6×11×6.1	82.5			1,560	3,140	157	1,244	25
61	82	10	67	6.6×11×6.1	91			2,490	5,490	297	1,636	30
67	96	13	78	9×14×8.1	100			2,650	6,270	373	2,580	35
77	101	13	83	9×14×8.1	115	30	30	3,430	8,040	553	2,950	40
97	129	18	107	11×17×11.1	145			6,080	15,900	1,370	6,860	50
104	144	18	122	11×17×11.1	155			7,550	20,000	1,800	9,660	60

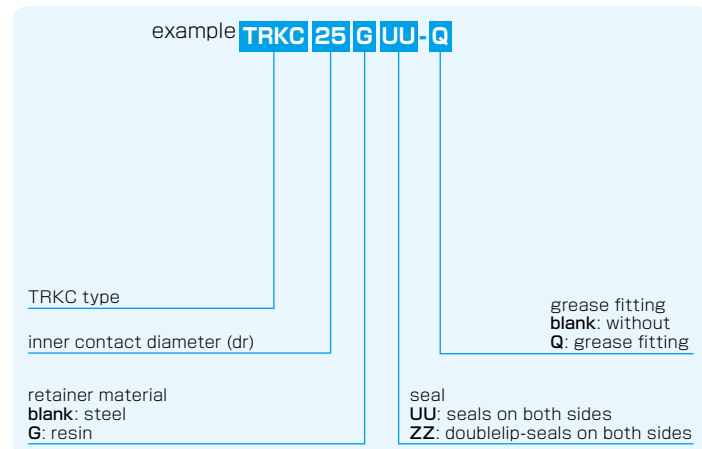
1N  $\approx$  0.102kgf 1N·m  $\approx$  0.102kgf·m

# TRKC TYPE

— Triple-Wide Intermediate Position Square Flange Type —



## part number structure



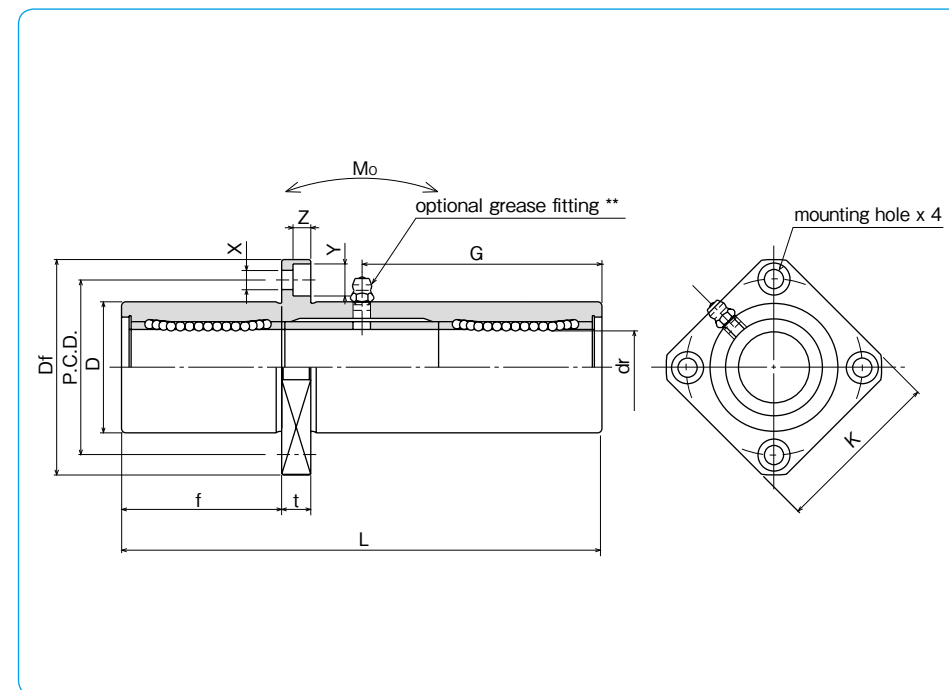
Doublelip-seal is available for size 6 to 30.

part number*		number of ball circuits	dr		major dimensions		
steel retainer	resin retainer		mm	tolerance $\mu\text{m}$	D	tolerance $\mu\text{m}$	L $\pm 0.3$ mm
TRKC 6UU	TRKC 6GUU	4	6		15	0/-18	51
TRKC 8UU	TRKC 8GUU	4	8	0	19		66
TRKC 10UU	TRKC 10GUU	4	10	-12	23	0	80
TRKC 12UU	TRKC 12GUU	4	12		26	-21	84
TRKC 13UU	TRKC 13GUU	4	13	0	28		90
TRKC 16UU	TRKC 16GUU	4	16	-15	32		103
TRKC 20UU	TRKC 20GUU	5	20		40	0	118
TRKC 25UU	TRKC 25GUU	6	25	0	45	-25	165
TRKC 30UU	TRKC 30GUU	6	30	-18	52		182
TRKC 35UU	TRKC 35GUU	6	35		60	0	200
TRKC 40UU	TRKC 40GUU	6	40	0	65	-30	230
TRKC 50UU	TRKC 50GUU	6	50	-21	85	0	290
TRKC 60UU	TRKC 60GUU	6	60	0/-25	100	-35	310

Outer cylinder is treated with electroless nickel plating.

\* Seals-on-both-sides is standard.

\*\* TRKC6: A-MT6x1 TRKC8: A-M6x1 TRKC10~30: A-M6F TRKC35~60: A-R1/8

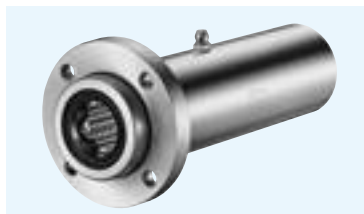


f mm	Df mm	flange			P.C.D. mm	X×Y×Z mm	grease fitting G mm	eccentricity $\mu\text{m}$	perpendicularity $\mu\text{m}$	basic load rating		allowable static moment $\text{N} \cdot \text{m}$	mass g	shaft diameter mm
		K mm	t mm	C N						Co N				
17	32	25	5	24	3.5×6×3.1	20.5	20	20	323	530	8.2	58	6	
22	40	30	6	29	4.5×7.5×4.1	29			431	784	16.0	117	8	
27	43	34	6	33	4.5×7.5×4.1	38			588	1,100	27.0	189	10	
28	46	35	6	36	4.5×7.5×4.1	41			813	1,570	40.1	228	12	
30	48	37	6	38	4.5×7.5×4.1	45			813	1,570	42.9	286	13	
35	54	42	8	43	5.5×9×5.1	51	25	25	1,230	2,350	73.5	376	16	
40	62	50	8	51	5.5×9×5.1	59			1,400	2,740	98.0	714	20	
55	74	58	10	60	6.6×11×6.1	82.5			1,560	3,140	157	1,163	25	
61	82	64	10	67	6.6×11×6.1	91			2,490	5,490	297	1,543	30	
67	96	75	13	78	9×14×8.1	100			2,650	6,270	373	2,400	35	
77	101	80	13	83	9×14×8.1	115	30	30	3,430	8,040	553	2,510	40	
97	129	100	18	107	11×17×11.1	145			6,080	15,900	1,370	6,400	50	
104	144	116	18	122	11×17×11.1	155			7,550	20,000	1,800	9,200	60	

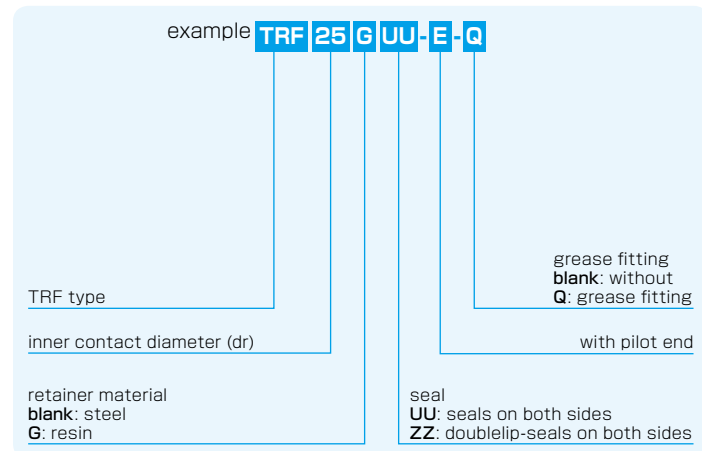
1N  $\approx$  0.102kgf 1N  $\cdot$  m  $\approx$  0.102kgf  $\cdot$  m

# TRF-E TYPE

– Triple-Wide Round Flange Pilot End Type –



## part number structure



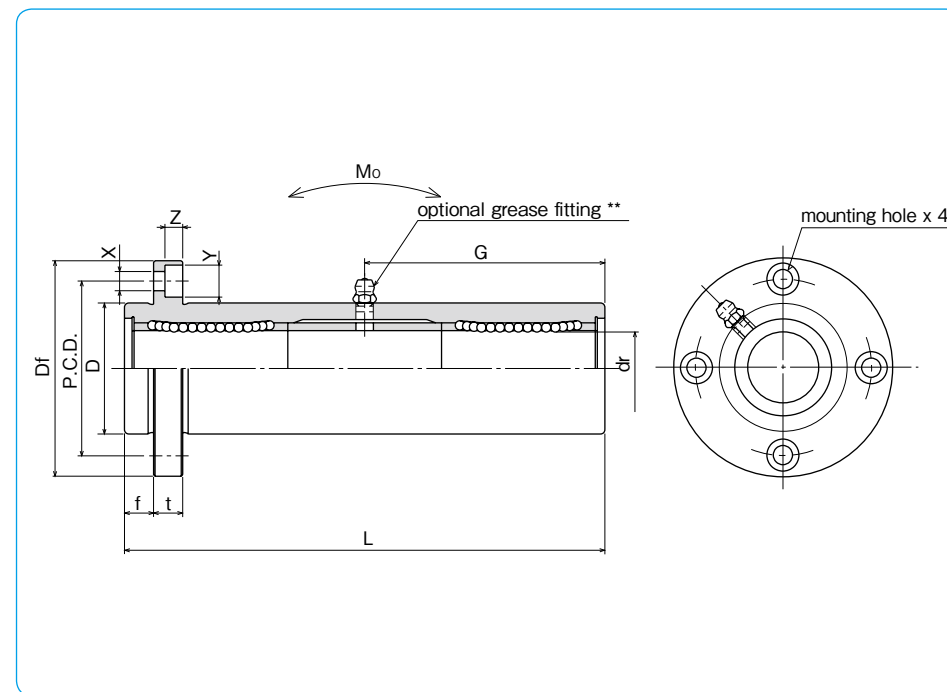
Doublelip-seal is available for size 6 to 30.

part number*		number of ball circuits	dr		major dimensions		
steel retainer	resin retainer		mm	tolerance $\mu\text{m}$	D	tolerance $\mu\text{m}$	L $\pm 0.3$ mm
TRF 6UU-E	TRF 6GUU-E	4	6	0	15	0/-18	51
TRF 8UU-E	TRF 8GUU-E	4	8	-12	19		66
TRF 10UU-E	TRF 10GUU-E	4	10		23	0	80
TRF 12UU-E	TRF 12GUU-E	4	12		26	-21	84
TRF 13UU-E	TRF 13GUU-E	4	13	0	28		90
TRF 16UU-E	TRF 16GUU-E	4	16	-15	32		103
TRF 20UU-E	TRF 20GUU-E	5	20		40	0	118
TRF 25UU-E	TRF 25GUU-E	6	25	0	45	-25	165
TRF 30UU-E	TRF 30GUU-E	6	30	-18	52		182
TRF 35UU-E	TRF 35GUU-E	6	35		60	0	200
TRF 40UU-E	TRF 40GUU-E	6	40	0	65	-30	230
TRF 50UU-E	TRF 50GUU-E	6	50	-21	85	0	290
TRF 60UU-E	TRF 60GUU-E	6	60	0/-25	100	-35	310

Outer cylinder is treated with electroless nickel plating.

\* Seals-on-both-sides is standard.

\*\* TRF6: A-MT6x1 TRF8: A-M6x1 TRF10~30: A-M6F TRF35~60: A-R1/8

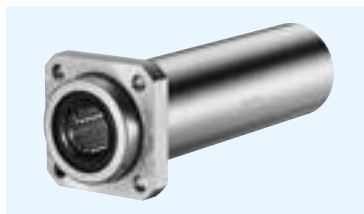


f mm	$D_f$ mm	flange			grease fitting G mm	eccentricity $\mu\text{m}$	perpendicularity $\mu\text{m}$	basic load rating		allowable static moment $M_o$ N·m	mass g	shaft diameter mm
		t mm	P.C.D. mm	X×Y×Z mm				dynamic C N	static Co N			
5	32	5	24	3.5×6×3.1	20.5	20	20	323	530	8.2	66	6
6	40	6	29	4.5×7.5×4.1	29			431	784	16.0	135	8
6	43	6	33	4.5×7.5×4.1	38			588	1,100	27.0	205	10
6	46	6	36	4.5×7.5×4.1	41			813	1,570	40.1	248	12
6	48	6	38	4.5×7.5×4.1	45			813	1,570	42.9	308	13
8	54	8	43	5.5×9×5.1	51			1,230	2,350	73.5	412	16
8	62	8	51	5.5×9×5.1	59	25	25	1,400	2,740	98.0	752	20
10	74	10	60	6.6×11×6.1	82.5			1,560	3,140	157	1,244	25
10	82	10	67	6.6×11×6.1	91			2,490	5,490	297	1,636	30
13	96	13	78	9×14×8.1	100			2,650	6,270	373	2,580	35
13	101	13	83	9×14×8.1	115			3,430	8,040	553	2,950	40
18	129	18	107	11×17×11.1	145			6,080	15,900	1,370	6,860	50
18	144	18	122	11×17×11.1	155	30	30	7,550	20,000	1,800	9,660	60

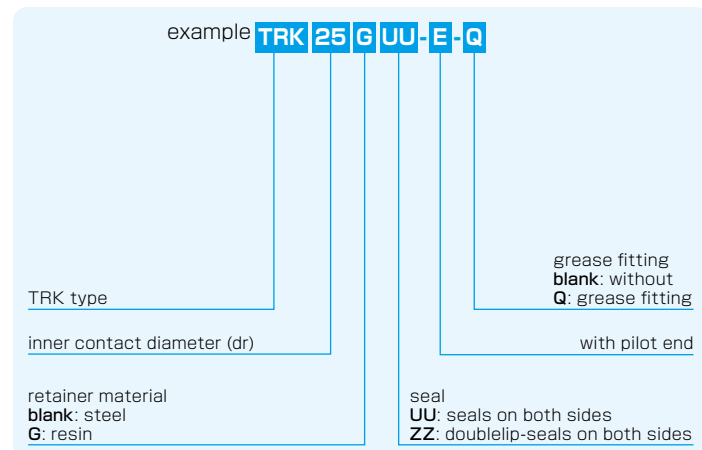
1N  $\approx$  0.102kgf 1N·m  $\approx$  0.102kgf·m

# TRK-E TYPE

– Triple-Wide Square Flange Pilot End Type –



## part number structure



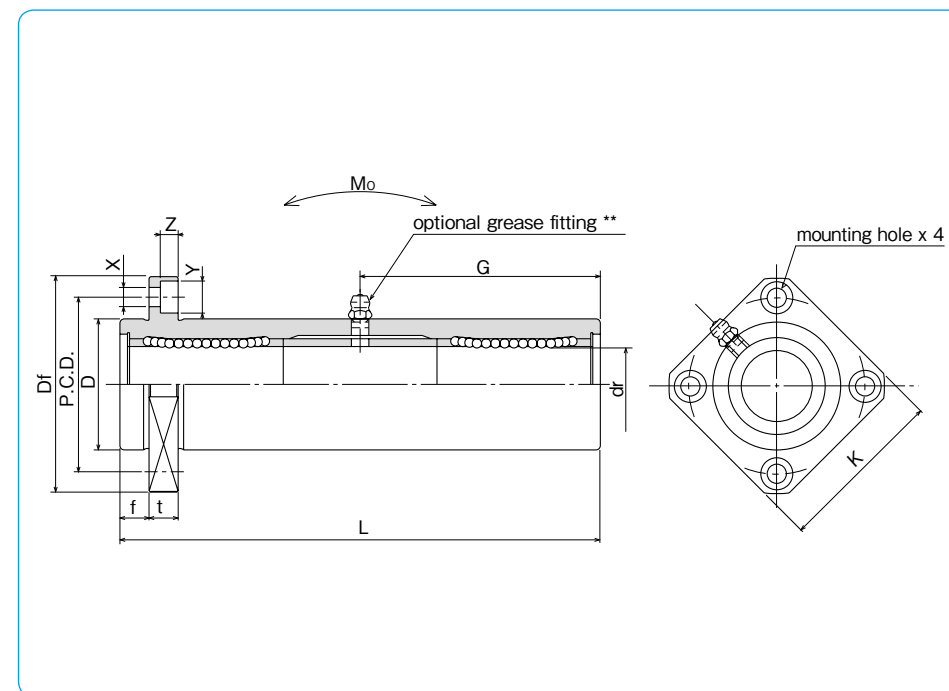
Doublelip-seal is available for size 6 to 30.

part number*		number of ball circuits	dr		major dimensions		
steel retainer	resin retainer		mm	tolerance $\mu\text{m}$	D	tolerance $\mu\text{m}$	L $\pm 0.3$ mm
TRK 6UU-E	TRK 6GUU-E	4	6	0	15	0/-18	51
TRK 8UU-E	TRK 8GUU-E	4	8	-12	19		66
TRK 10UU-E	TRK 10GUU-E	4	10		23	0	80
TRK 12UU-E	TRK 12GUU-E	4	12	0	26	-21	84
TRK 13UU-E	TRK 13GUU-E	4	13	-15	28		90
TRK 16UU-E	TRK 16GUU-E	4	16		32	0	103
TRK 20UU-E	TRK 20GUU-E	5	20	0	40	-25	118
TRK 25UU-E	TRK 25GUU-E	6	25	-18	45		165
TRK 30UU-E	TRK 30GUU-E	6	30		52	0	182
TRK 35UU-E	TRK 35GUU-E	6	35	0	60	-30	200
TRK 40UU-E	TRK 40GUU-E	6	40	-21	65		230
TRK 50UU-E	TRK 50GUU-E	6	50		85	0	290
TRK 60UU-E	TRK 60GUU-E	6	60	0/-25	100	-35	310

Outer cylinder is treated with electroless nickel plating.

\* Seals-on-both-sides is standard.

\*\* TRK6: A-MT6x1 TRK8: A-M6x1 TRK10~30: A-M6F TRK35~60: A-R1/8

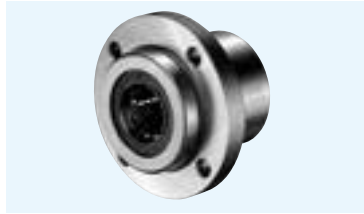


f mm	Df mm	flange			P.C.D. mm	X×Y×Z mm	grease fitting G mm	eccentricity $\mu\text{m}$	perpendicularity $\mu\text{m}$	basic load rating		allowable static moment Mo N·m	mass g	shaft diameter mm
		K mm	t mm	C N						Co N				
5	32	25	5	24	3.5×6×3.1	20.5	20	20	323	530	8.2	58	6	
6	40	30	6	29	4.5×7.5×4.1	29			431	784	16.0	117	8	
6	43	34	6	33	4.5×7.5×4.1	38			588	1,100	27.0	189	10	
6	46	35	6	36	4.5×7.5×4.1	41			813	1,570	40.1	228	12	
6	48	37	6	38	4.5×7.5×4.1	45	25	25	813	1,570	42.9	286	13	
8	54	42	8	43	5.5×9×5.1	51			1,230	2,350	73.5	376	16	
8	62	50	8	51	5.5×9×5.1	59			1,400	2,740	98.0	714	20	
10	74	58	10	60	6.6×11×6.1	82.5			1,560	3,140	157	1,163	25	
10	82	64	10	67	6.6×11×6.1	91	30	30	2,490	5,490	297	1,543	30	
13	96	75	13	78	9×14×8.1	100			2,650	6,270	373	2,400	35	
13	101	80	13	83	9×14×8.1	115			3,430	8,040	553	2,510	40	
18	129	100	18	107	11×17×11.1	145			6,080	15,900	1,370	6,400	50	
18	144	116	18	122	11×17×11.1	155	7,550	20,000	1,800	9,200	60			

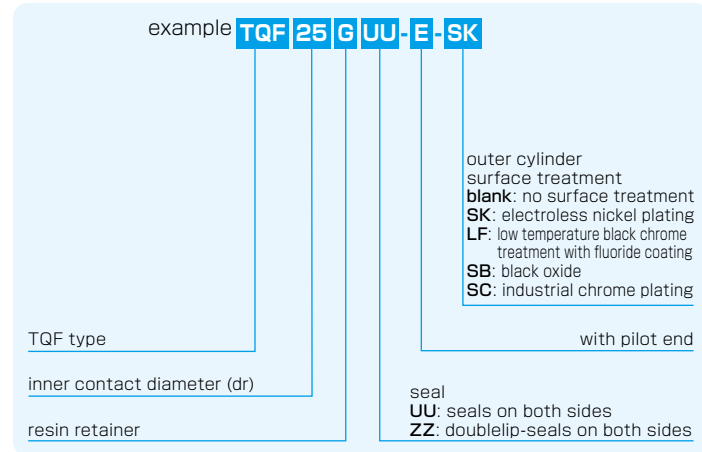
1N  $\approx$  0.102kgf 1N·m  $\approx$  0.102kgf·m

# TQF-E TYPE

– Round Flange Type with Pilot End –



## part number structure

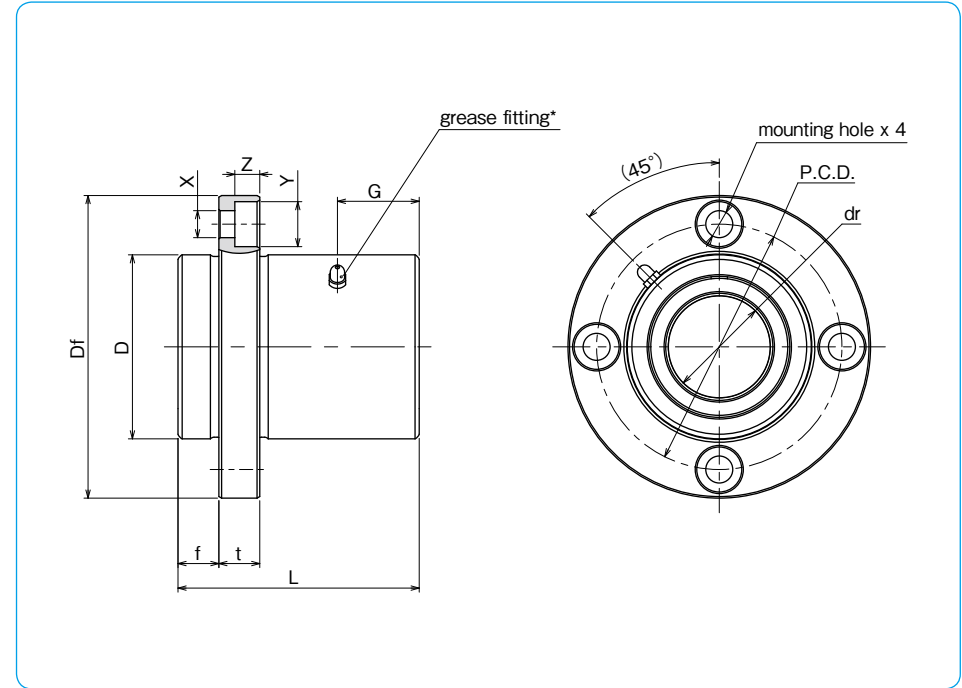


Doublelip-seal is available for size 6 to 30.

part number*	number of ball circuits	dr		D		major dimensions				
		mm	tolerance $\mu\text{m}$	mm	tolerance $\mu\text{m}$	L $\pm 0.3$ mm	f mm	Df mm	t mm	flange P.C.D. mm
TQF16GUU-E	4	16	0/-9	32	0	37	8	54	8	43
TQF20GUU-E	5	20	0	40	-19	42	8	62	8	51
TQF25GUU-E	6	25	-10	45	0	59	10	74	10	60
TQF30GUU-E	6	30	0	52	-22	64	10	82	10	67
TQF35GUU-E	6	35	0	60	0	70	13	96	13	78
TQF40GUU-E	6	40	-12	65	0	80	13	101	13	83

\* Seals-on-both-sides is standard.

\*\*TQF16G~25G : M3-1 grease fitting TQF30G~40G : A-M6x1  
Surface treatment is optional.



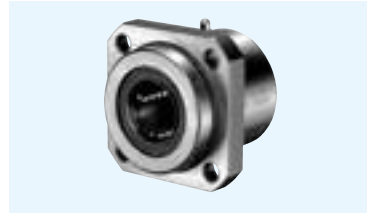
X×Y×Z mm	grease fitting G mm	eccentricity $\mu\text{m}$	perpendicularity $\mu\text{m}$	basic load rating		shaft diameter mm
	dynamic C N			static Co N		
5.5×9×5.1	12	12	12	774	1,180	16
5.5×9×5.1	14	15	15	882	1,370	20
6.6×11×6.1	20			980	1,570	25
6.6×11×6.1	21	20	20	1,570	2,740	30
9×14×8.1	23			1,670	3,140	35
9×14×8.1	27			2,160	4,020	40

1N≐0.102kgf



# TQK-E TYPE

– Square Flange Type with Pilot End –



## part number structure

example) **TQK 25 G UU-E-SK**

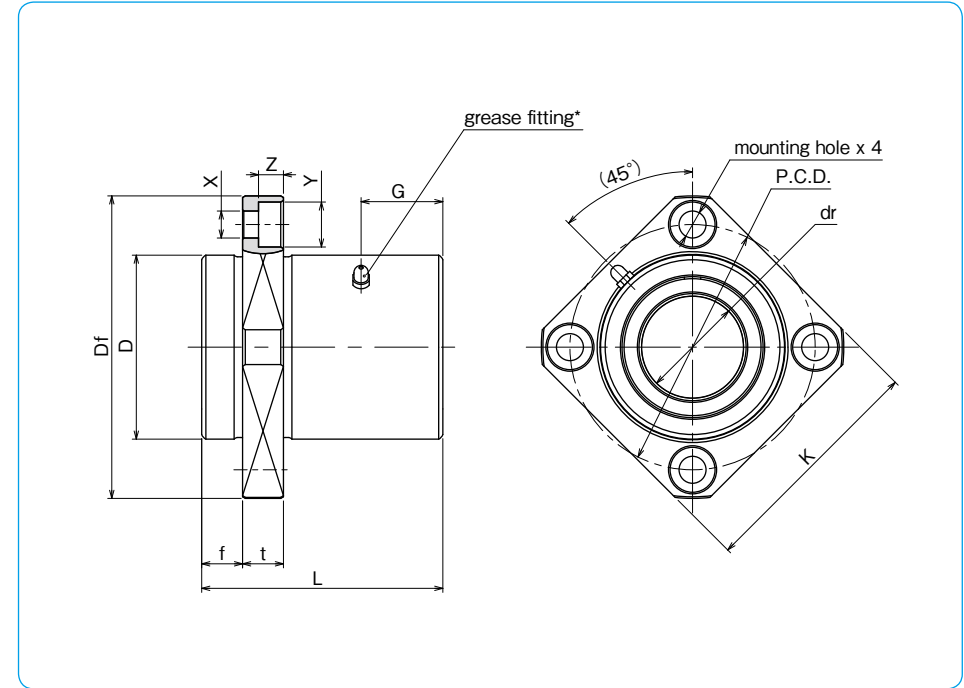
TQK type	25	G	UU	E	SK
inner contact diameter (dr)					
resin retainer					
					with pilot end
					outer cylinder surface treatment
					blank: no surface treatment
					SK: electroless nickel plating
					LF: low temperature black chrome treatment with fluoride coating
					SB: black oxide
					SC: industrial chrome plating
					seal
					UU: seals on both sides
					ZZ: doublelip-seals on both sides

Doublelip-seal is available for size 6 to 30.

part number*	number of ball circuits	dr		D		major dimensions					flange	
		mm	tolerance $\mu\text{m}$	mm	tolerance $\mu\text{m}$	L $\pm 0.3$ mm	f mm	Df mm	K mm	t mm	P.C.D. mm	
TQK16GUU-E	4	16	0/-9	32	0	37	8	54	42	8	43	
TQK20GUU-E	5	20	0	40	-19	42	8	62	50	8	51	
TQK25GUU-E	6	25	-10	45	0	59	10	74	58	10	60	
TQK30GUU-E	6	30	0	52	-22	64	10	82	64	10	67	
TQK35GUU-E	6	35	0	60	0	70	13	96	75	13	78	
TQK40GUU-E	6	40	-12	65	0	80	13	101	80	13	83	

\* Seals-on-both-sides is standard.

\*\*TQK16G~25G : M3-1 grease fitting TQK30G~40G : A-M6x1  
Surface treatment is optional.

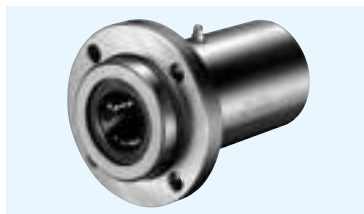


X×Y×Z mm	grease fitting	eccentricity $\mu\text{m}$	perpendicularity $\mu\text{m}$	basic load rating		shaft diameter mm
	G mm			dynamic C N	static Co N	
5.5×9×5.1	12	12	12	774	1,180	16
5.5×9×5.1	14	15	15	882	1,370	20
6.6×11×6.1	20			980	1,570	25
6.6×11×6.1	21	20	20	1,570	2,740	30
9×14×8.1	23			1,670	3,140	35
9×14×8.1	27			2,160	4,020	40

1N≐0.102kgf

# TQF-W-E TYPE

— Round Flange Double-Wide Pilot End Type —



## part number structure

example **TQF 25 G W UU - E - SK**

TQF type

inner contact diameter (dr)

resin retainer

double-wide type

outer cylinder surface treatment  
**blank**: no surface treatment  
**SK**: electroless nickel plating  
**LF**: low temperature black chrome treatment with fluoride coating  
**SB**: black oxide  
**SC**: industrial chrome plating

with pilot end

seal  
**UU**: seals on both sides  
**ZZ**: doublelip-seals on both sides

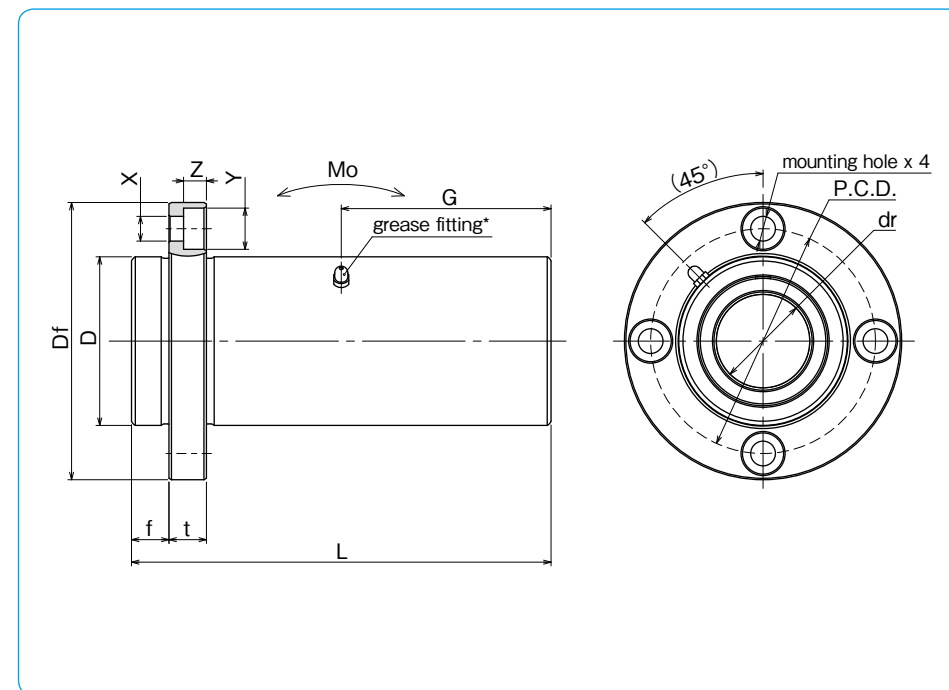
Doublelip-seal is available for size 6 to 30.

part number*	number of ball circuits	dr		D		major dimensions				
		mm	tolerance $\mu\text{m}$	mm	tolerance $\mu\text{m}$	L $\pm 0.3$ mm	f mm	Df mm	t mm	flange P.C.D. mm
TQF16GUUW-E	4	16	0/-9	32	0	70	8	54	8	43
TQF20GUUW-E	5	20	0	40	-19	80	8	62	8	51
TQF25GUUW-E	6	25	-12	45	0	112	10	74	10	60
TQF30GUUW-E	6	30	0	52	-22	123	10	82	10	67
TQF35GUUW-E	6	35	0	60	0	135	13	96	13	78
TQF40GUUW-E	6	40	-15	65	0	151	13	101	13	83

\* Seals-on-both-sides is standard.

\*\*TQF16G~25G : M3-1 grease fitting TQF30G~40G : A-M6x1

Surface treatment is optional.

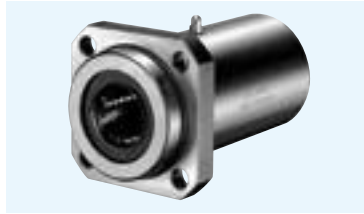


X × Y × Z mm	grease fitting G mm	eccentricity $\mu\text{m}$	perpendicularity $\mu\text{m}$	basic load rating		allowable static moment Mo N · m	shaft diameter mm
				dynamic C N	static Co N		
5.5 × 9 × 5.1	35	15	15	1,230	2,350	19.7	16
5.5 × 9 × 5.1	40	20	20	1,400	2,740	26.8	20
6.6 × 11 × 6.1	56			1,560	3,140	43.4	25
6.6 × 11 × 6.1	61.5	25	25	2,490	5,490	82.8	30
9 × 14 × 8.1	67.5			2,650	6,270	110	35
9 × 14 × 8.1	75.5			3,430	8,040	147	40

1N  $\approx$  0.102kgf 1N · m  $\approx$  0.102kgf · m

# TQK-W-E TYPE

— Square Flange Double-Wide Pilot End Type —



## part number structure

example **TQK25GWUU-E-SK**

TQK type	inner contact diameter (dr)	resin retainer	double-wide type	seal	with pilot end	outer cylinder surface treatment
				UU: seals on both sides		blank: no surface treatment
				ZZ: doublelip-seals on both sides		SK: electroless nickel plating
						LF: low temperature black chrome treatment with fluoride coating
						SB: black oxide
						SC: industrial chrome plating

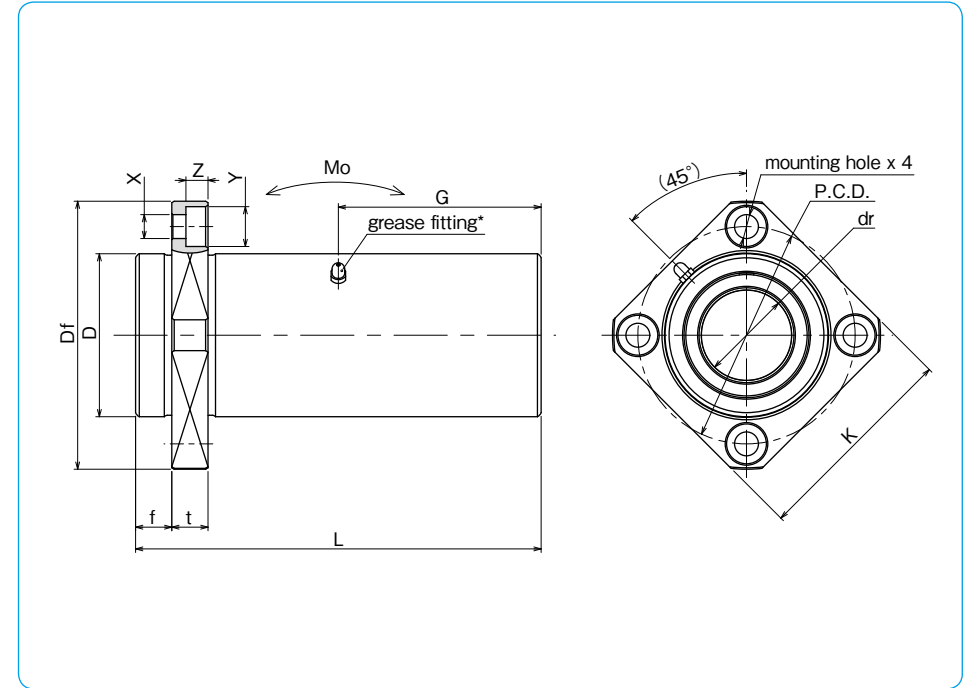
Doublelip-seal is available for size 6 to 30.

part number*	number of ball circuits	dr		D		major dimensions					flange	
		mm	tolerance $\mu\text{m}$	mm	tolerance $\mu\text{m}$	L $\pm 0.3$ mm	f mm	Df mm	K mm	t mm	P.C.D. mm	
TQK16GUUW-E	4	16	0/-10	32	0	70	8	54	42	8	43	
TQK20GUUW-E	5	20	0	40	-19	80	8	62	50	8	51	
TQK25GUUW-E	6	25	-12	45	0	112	10	74	58	10	60	
TQK30GUUW-E	6	30	0	52	-22	123	10	82	64	10	67	
TQK35GUUW-E	6	35	0	60	0	135	13	96	75	13	78	
TQK40GUUW-E	6	40	-15	65	0	151	13	101	80	13	83	

\* Seals-on-both-sides is standard.

\*\*TQK16G~25G : M3-1 grease fitting TQK30G~40G : A-M6x1

Surface treatment is optional.

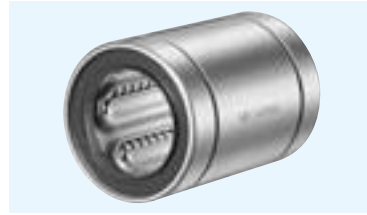


X×Y×Z mm	grease fitting G mm	eccentricity $\mu\text{m}$	perpendicularity $\mu\text{m}$	basic load rating		allowable static moment Mo N·m	shaft diameter mm
				dynamic C N	static Co N		
5.5×9×5.1	35	15	15	1,230	2,350	19.7	16
5.5×9×5.1	40	20	20	1,400	2,740	26.8	20
6.6×11×6.1	56			1,560	3,140	43.4	25
6.6×11×6.1	61.5	25	25	2,490	5,490	82.8	30
9×14×8.1	67.5			2,650	6,270	110	35
9×14×8.1	75.5			3,430	8,040	147	40

1N  $\approx$  0.102kgf 1N·m  $\approx$  0.102kgf·m

# KB TYPE (Euro Standard)

– Standard Type –



### part number structure

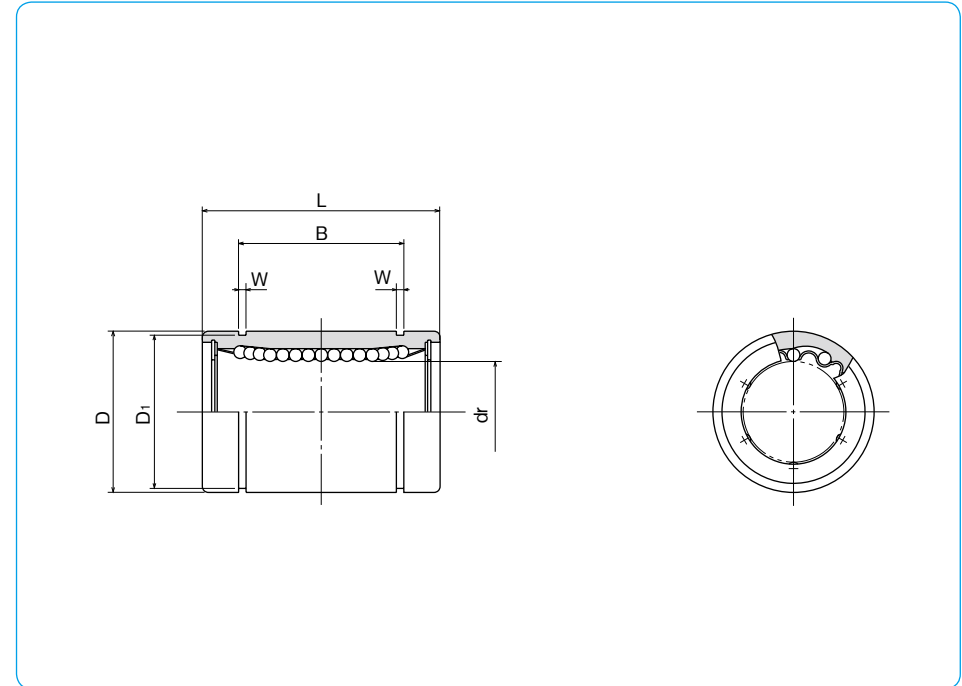
example **KBS 25 G UU**

specification  
**KB:** standard  
**KBS:** anti-corrosion

inner contact diameter (dr)

retainer material  
**blank:** standard/steel  
**G:** anti-corrosion/stainless steel  
**resin**

seal  
**blank:** without seal  
**U:** seal on one side  
**UU:** seals on both sides



part number				number of ball circuits	dr		major dimensions	
standard steel retainer	resin retainer	anti-corrosion stainless retainer	resin retainer		mm	tolerance $\mu\text{m}$	D mm	tolerance $\mu\text{m}$
KB 3	KB 3G	KBS 3	KBS 3G	4	3		7	
KB 4	KB 4G	KBS 4	KBS 4G	4	4		8	0
KB 5	KB 5G	KBS 5	KBS 5G	4	5	+ 8	12	- 8
KB 8	KB 8G	KBS 8	KBS 8G	4	8	0	16	
KB10	KB10G	KBS10	KBS10G	4	10		19	0
KB12	KB12G	KBS12	KBS12G	4	12		22	- 9
KB16	KB16G	KBS16	KBS16G	4	16	+ 9	26	
KB20	KB20G	KBS20	KBS20G	5	20	- 1	32	0
KB25	KB25G	KBS25	KBS25G	6	25	+11	40	-11
KB30	KB30G	KBS30	KBS30G	6	30	- 1	47	
KB40	KB40G	KBS40	KBS40G	6	40	+13	62	0
KB50	KB50G	KBS50	KBS50G	6	50	- 2	75	-13
KB60	KB60G	KBS60	KBS60G	6	60		90	0
KB80	-	-	-	6	80	+16/-4	120	-15

mm	L	B		W	D <sub>1</sub>	eccentricity $\mu\text{m}$	radial clearance (maximum) $\mu\text{m}$	basic load rating		mass g	shaft diameter mm
	tolerance mm	mm	tolerance mm	mm	mm			dynamic C N	static Co N		
10	0	-	-	-	-	10	- 3	69	105	1.4	3
12	-0.12	-	-	-	-			88	127	2	4
22	0	14.5	0	1.1	11.5			206	265	11	5
25		16.5		1.1	15.2	265	402	22	8		
29		22		1.3	18	372	549	36	10		
32		-0.2		22.9	-0.2	1.3	21	510	784	45	12
36	-0.3	24.9	-0.3	1.3	24.9	12	- 4	578	892	60	16
45		31.5		1.6	30.3			862	1,370	102	20
58		44.1		1.85	37.5			980	1,570	235	25
68	0	52.1	0	1.85	44.5	15	- 8	1,570	2,740	360	30
80	-0.3	60.6	-0.3	2.15	59			2,160	4,020	770	40
100	0	77.6	0	2.65	72	17	-13	3,820	7,940	1,250	50
125		101.7		3.15	86.5			4,700	9,800	2,220	60
165		-0.4		133.7	-0.4			4.15	116	7,350	16,000

1N=0.102kgf

# KB-AJ TYPE (Euro Standard)

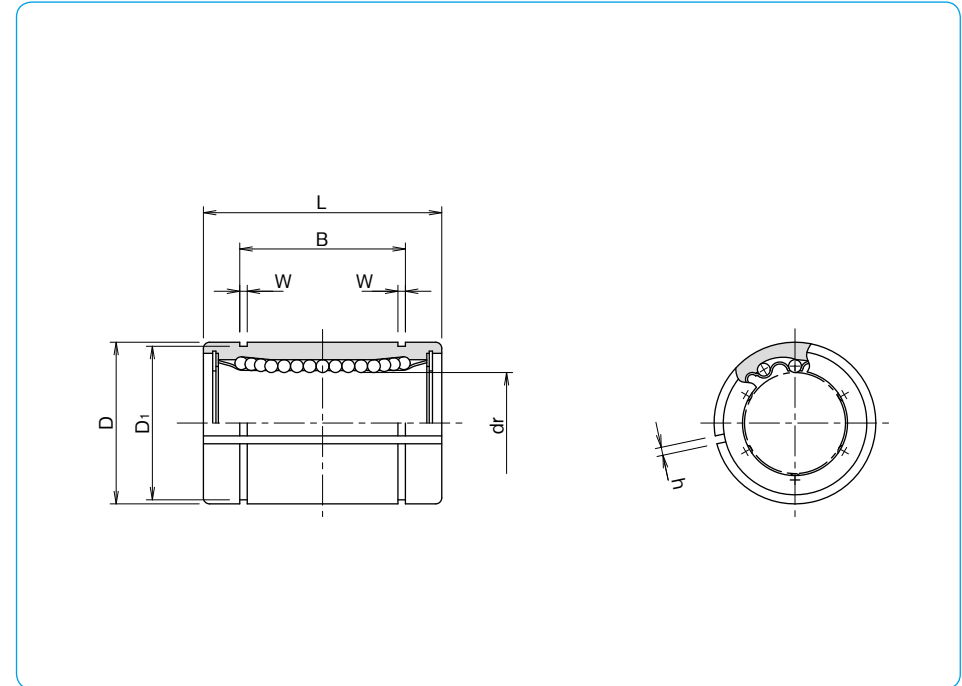
– Clearance Adjustable Type –



## part number structure

example **KBS 25 G UU -AJ**

specification KB: standard KBS: anti-corrosion	inner contact diameter (dr)	retainer material blank: standard/steel anti-corrosion/stainless steel G: resin	clearance-adjustable	seal blank: without seal U: seal on one side UU: seals on both sides
--	-----------------------------	--	----------------------	---



part number		number of ball circuits	dr		major dimensions		
standard	anti-corrosion		mm	tolerance* μm	D	tolerance* μm	
steel retainer	resin retainer	stainless retainer	resin retainer				
—	KB 5G-AJ	—	KBS 5G-AJ	4	5	12	0
—	KB 8G-AJ	—	KBS 8G-AJ	4	8	16	- 8
—	KB10G-AJ	—	KBS10G-AJ	4	10	19	0
KB12-AJ	KB12G-AJ	KBS12-AJ	KBS12G-AJ	4	12	22	0
KB16-AJ	KB16G-AJ	KBS16-AJ	KBS16G-AJ	4	16	26	- 9
KB20-AJ	KB20G-AJ	KBS20-AJ	KBS20G-AJ	5	20	32	0
KB25-AJ	KB25G-AJ	KBS25-AJ	KBS25G-AJ	6	25	40	0
KB30-AJ	KB30G-AJ	KBS30-AJ	KBS30G-AJ	6	30	47	-11
KB40-AJ	KB40G-AJ	KBS40-AJ	KBS40G-AJ	6	40	62	0
KB50-AJ	KB50G-AJ	KBS50-AJ	KBS50G-AJ	6	50	75	-13
KB60-AJ	KB60G-AJ	KBS60-AJ	KBS60G-AJ	6	60	90	0
KB80-AJ	—	—	—	6	80	120	-15

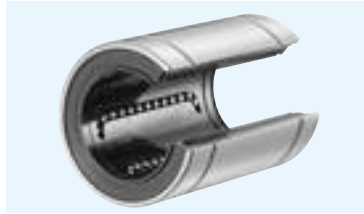
\* Accuracy is measured prior to machining clearance slit.

mm	L tolerance mm	B		W mm	D <sub>1</sub> mm	h mm	eccentricity* μm	basic load rating		mass g	shaft diameter mm
		mm	tolerance mm					dynamic C N	static Co N		
22	0 -0.2	14.5	0 -0.2	1.1	11.5	1	12	206	265	10	5
25		16.5		1.1	15.2	1		265	402	19.5	8
29		22		1.3	18	1		372	549	29	10
32		22.9		1.3	21	1.5		510	784	44	12
36	0 -0.3	24.9	0 -0.3	1.3	24.9	1.5	15	578	892	59	16
45		31.5		1.6	30.3	2		862	1,370	100	20
58		44.1		1.85	37.5	2		980	1,570	230	25
68	0 -0.3	52.1	0 -0.3	1.85	44.5	2	17	1,570	2,740	355	30
80		60.6		2.15	59	3		2,160	4,020	758	40
100	0 -0.4	77.6	0 -0.4	2.65	72	3	20	3,820	7,940	1,230	50
125		101.7		3.15	86.5	3		4,700	9,800	2,170	60
165		133.7		4.15	116	3		7,350	16,000	5,000	80

1N≒0.102kgf

# KB-OP TYPE (Euro Standard)

– Open Type –



### part number structure

example **KBS 25 G UU-OP**

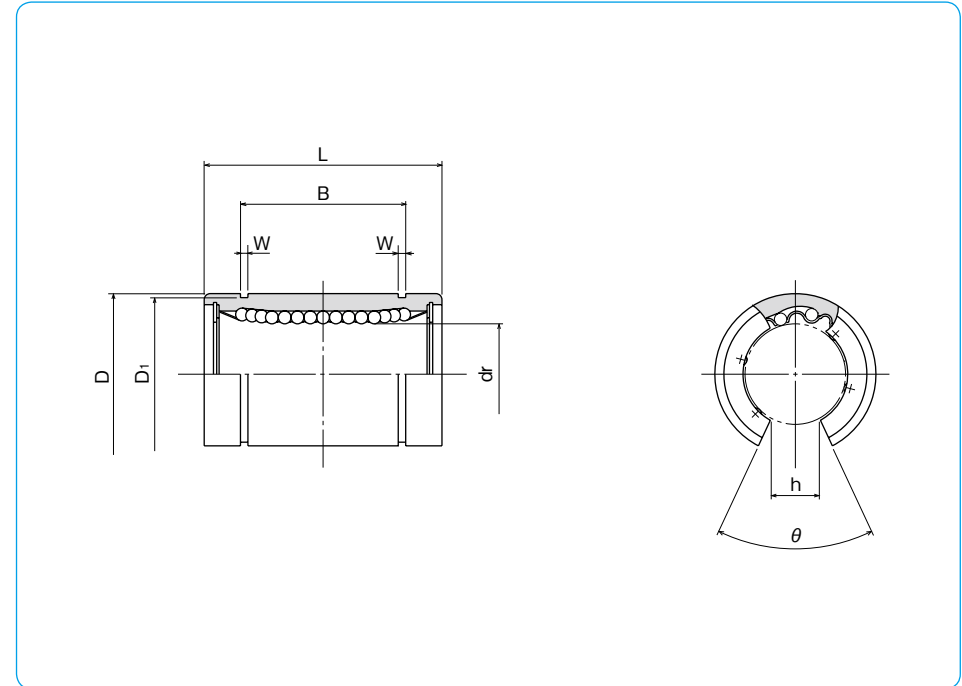
specification  
**KB**: standard  
**KBS**: anti-corrosion

inner contact diameter (dr)

retainer material  
**blank**: standard/steel  
**U**: anti-corrosion/stainless steel  
**G**: resin

open type

seal  
**blank**: without seal  
**U**: seal on one side  
**UU**: seals on both sides



part number				number of ball circuits	major dimensions			
standard		anti-corrosion			dr		D	
steel retainer	resin retainer	stainless retainer	resin retainer	mm	tolerance* μm	mm	tolerance* μm	
—	<b>KB10G-OP</b>	—	<b>KBS10G-OP</b>	3	10	+ 8	19	0
<b>KB12-OP</b>	<b>KB12G-OP</b>	<b>KBS12-OP</b>	<b>KBS12G-OP</b>	3	12	0	22	- 9
<b>KB16-OP</b>	<b>KB16G-OP</b>	<b>KBS16-OP</b>	<b>KBS16G-OP</b>	3	16	+ 9	26	0
<b>KB20-OP</b>	<b>KB20G-OP</b>	<b>KBS20-OP</b>	<b>KBS20G-OP</b>	4	20	- 1	32	-11
<b>KB25-OP</b>	<b>KB25G-OP</b>	<b>KBS25-OP</b>	<b>KBS25G-OP</b>	5	25	+11	40	0
<b>KB30-OP</b>	<b>KB30G-OP</b>	<b>KBS30-OP</b>	<b>KBS30G-OP</b>	5	30	- 1	47	0
<b>KB40-OP</b>	<b>KB40G-OP</b>	<b>KBS40-OP</b>	<b>KBS40G-OP</b>	5	40	+13	62	-13
<b>KB50-OP</b>	<b>KB50G-OP</b>	<b>KBS50-OP</b>	<b>KBS50G-OP</b>	5	50	- 2	75	0
<b>KB60-OP</b>	<b>KB60G-OP</b>	<b>KBS60-OP</b>	<b>KBS60G-OP</b>	5	60		90	-15
<b>KB80-OP</b>	—	—	—	5	80	+16/-4	120	

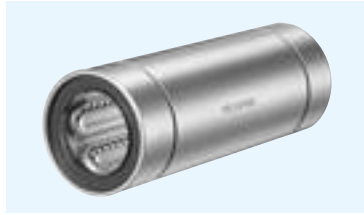
\* Accuracy is measured prior to machining open slit.

mm	L tolerance mm	B		W mm	D <sub>1</sub> mm	h mm	θ	eccentricity* μm	basic load rating		mass g	shaft diameter mm
		mm	tolerance mm						dynamic C N	static Co N		
29		22		1.3	18	6.8	80°	12	372	549	23	10
32	0	22.9	0	1.3	21	7.5	78°		510	784	35	12
36	-0.2	24.9	-0.2	1.3	24.9	10	78°		578	892	48	16
45		31.5		1.6	30.3	10	60°	15	862	1,370	84	20
58		44.1		1.85	37.5	12.5	60°		980	1,570	195	25
68	0	52.1	0	1.85	44.5	12.5	50°		1,570	2,740	309	30
80	-0.3	60.6	-0.3	2.15	59	16.8	50°	17	2,160	4,020	665	40
100		77.6		2.65	72	21	50°		3,820	7,940	1,080	50
125	0	101.7	0	3.15	86.5	27.2	54°		4,700	9,800	1,900	60
165	-0.4	133.7	-0.4	4.15	116	36.3	54°	20	7,350	16,000	4,380	80

1N≒0.102kgf

# KB-W TYPE (Euro Standard)

– Double-Wide Type –



## part number structure

example **KBS 25 G W UU**

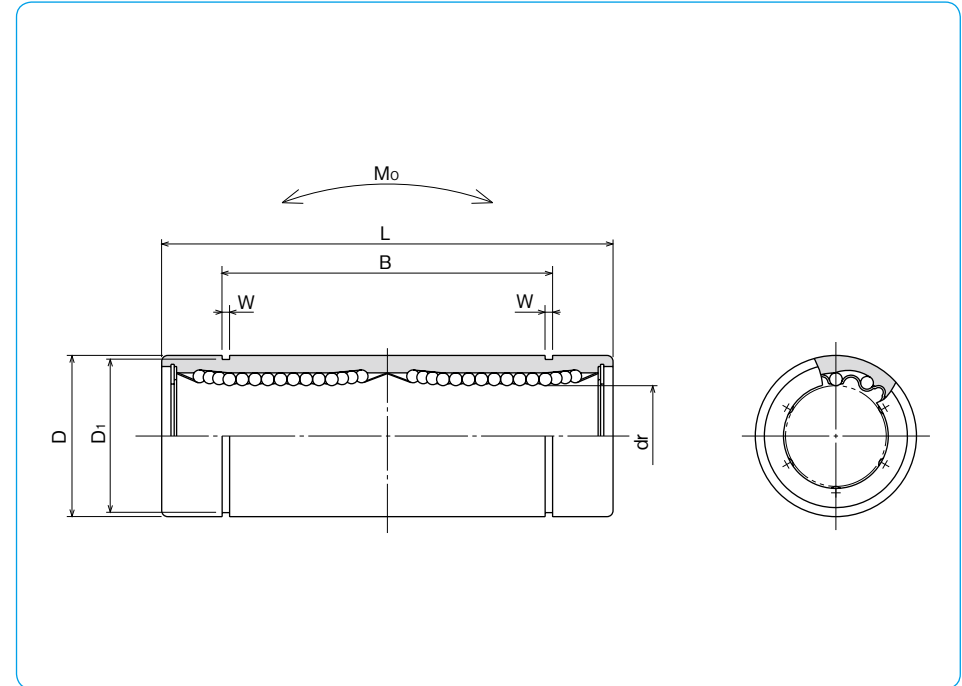
specification  
**KB**: standard  
**KBS**: anti-corrosion

inner contact diameter (dr)

retainer material  
**blank**: standard/steel  
 anti-corrosion/stainless steel  
**G**: resin

seal  
**blank**: without seal  
**UU**: seals on both sides

double-wide type



part number				number of ball circuits	dr		major dimensions	
standard		anti-corrosion			mm	tolerance $\mu\text{m}$	D	
steel retainer	resin retainer	stainless retainer	resin retainer				mm	tolerance $\mu\text{m}$
<b>KB 8W</b>	<b>KB 8GW</b>	<b>KBS 8W</b>	<b>KBS 8GW</b>	4	8	+ 9	16	0/-9
<b>KB 12W</b>	<b>KB 12GW</b>	<b>KBS 12W</b>	<b>KBS 12GW</b>	4	12	- 1	22	0
<b>KB 16W</b>	<b>KB 16GW</b>	<b>KBS 16W</b>	<b>KBS 16GW</b>	4	16	+ 11	26	-11
<b>KB20W</b>	<b>KB20GW</b>	<b>KBS20W</b>	<b>KBS20GW</b>	5	20	- 1	32	0
<b>KB25W</b>	<b>KB25GW</b>	<b>KBS25W</b>	<b>KBS25GW</b>	6	25	+ 13	40	-13
<b>KB30W</b>	<b>KB30GW</b>	<b>KBS30W</b>	<b>KBS30GW</b>	6	30	- 2	47	0
<b>KB40W</b>	<b>KB40GW</b>	<b>KBS40W</b>	<b>KBS40GW</b>	6	40	+ 16	62	0
<b>KB50W</b>	<b>KB50GW</b>	<b>KBS50W</b>	<b>KBS50GW</b>	6	50	- 4	75	-15
<b>KB60W</b>	<b>KB60GW</b>	<b>KBS60W</b>	<b>KBS60GW</b>	6	60		90	0/-20

mm	L tolerance mm	B		W mm	D <sub>1</sub> mm	eccentricity $\mu\text{m}$	basic load rating		allowable static moment Mo N·m	mass g	shaft diameter mm
		mm	tolerance mm				dynamic C N	static Co N			
46		33		1.1	15.2	15	421	804	4.3	40	8
61	0	45.8	0	1.3	21		813	1,570	11.7	80	12
68	-0.3	49.8	-0.3	1.3	24.9		921	1,780	14.2	115	16
80		61		1.6	30.5	17	1,370	2,740	25.0	180	20
112		82		1.85	38		1,570	3,140	44.0	430	25
123		104.2		1.85	44.5		2,500	5,490	78.9	615	30
151	0	121.2	0	2.15	59	20	3,430	8,040	147	1,400	40
192	-0.4	155.2	-0.4	2.65	72		6,080	15,900	396	2,320	50
209		170		3.15	86.5		7,550	20,000	487	3,920	60

1N=0.102kgf 1N·m=0.102kgf·m

# KBF TYPE (Euro Standard)

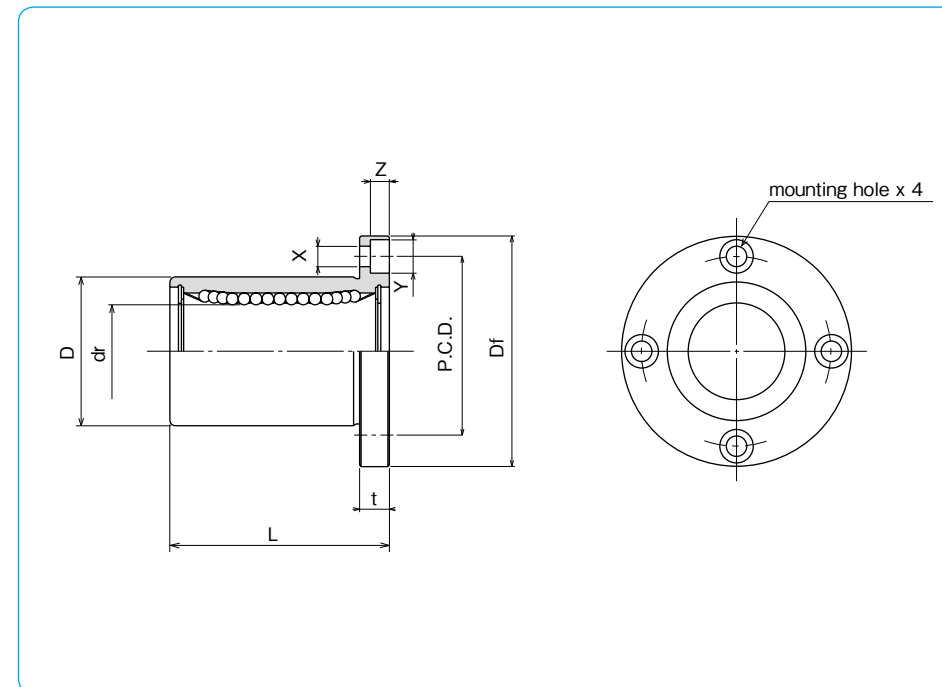
– Round Flange Type –



## part number structure

example **KBSF 25 G UU-SK**

specification KBF: standard KBSF: anti-corrosion	inner contact diameter (dr)	retainer material blank: standard/steel anti-corrosion/stainless steel G: resin	outer cylinder surface treatment blank: no surface treatment SK: electroless nickel plating LF: low temperature black chrome treatment with fluoride coating SB: black oxide (not available on anti-corrosion type) SC: industrial chrome plating	seal blank: without seal UU: seals on both sides
--	-----------------------------	--	--	--



part number				number of ball circuits	dr		major dimensions		
standard steel retainer	resin retainer	anti-corrosion stainless retainer	resin retainer		mm	tolerance $\mu\text{m}$	D mm	tolerance $\mu\text{m}$	L $\pm 0.3$ mm
—	KBF 5G	—	KBSF 5G	4	5		12	0	22
KBF 8	KBF 8G	KBSF 8	KBSF 8G	4	8	+ 8	16	-13	25
KBF12	KBF12G	KBSF12	KBSF12G	4	12	0	22	0	32
KBF16	KBF16G	KBSF16	KBSF16G	4	16	+ 9	26	-16	36
KBF20	KBF20G	KBSF20	KBSF20G	5	20	- 1	32	0	45
KBF25	KBF25G	KBSF25	KBSF25G	6	25	+11	40	0	58
KBF30	KBF30G	KBSF30	KBSF30G	6	30	- 1	47	-19	68
KBF40	KBF40G	KBSF40	KBSF40G	6	40		62	0	80
KBF50	KBF50G	KBSF50	KBSF50G	6	50	+13	75	-22	100
KBF60	KBF60G	KBSF60	KBSF60G	6	60	- 2	90	0	125
KBF80	—	—	—	6	80	+16/-4	120	-25	165

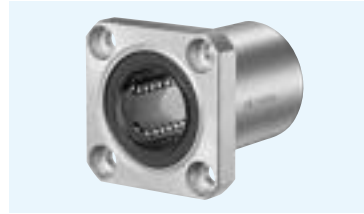
Df mm	t mm	flange P.C.D. mm	X×Y×Z mm	eccentricity $\mu\text{m}$	perpendicularity $\mu\text{m}$	basic load rating		mass g	shaft diameter mm
						dynamic C N	static Co N		
28	5	20	3.5×6×3.1	12	12	206	265	26	5
32	5	24	3.5×6×3.1			265	402	41	8
42	6	32	4.5×7.5×4.1			510	784	80	12
46	6	36	4.5×7.5×4.1			578	892	103	16
54	8	43	5.5×9×5.1	15	15	862	1,370	182	20
62	8	51	5.5×9×5.1			980	1,570	335	25
76	10	62	6.6×11×6.1			1,570	2,740	560	30
98	13	80	9×14×8.1	17	17	2,160	4,020	1,175	40
112	13	94	9×14×8.1			3,820	7,940	1,745	50
134	18	112	11×17×11.1	20	20	4,700	9,800	3,220	60
164	18	142	11×17×11.1			7,350	16,000	6,420	80

1N≒0.102kgf



# KBK TYPE (Euro Standard)

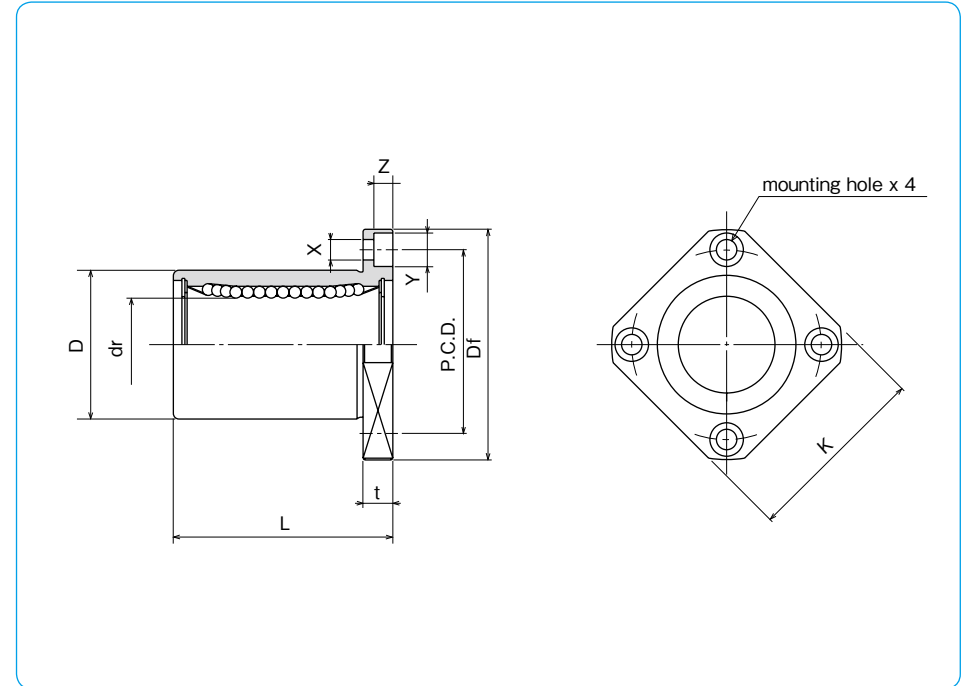
– Square Flange Type –



## part number structure

example **KBSK 25 G UU-SK**

specification KBK: standard KBSK: anti-corrosion	inner contact diameter (dr)	retainer material blank: standard/steel G: resin	outer cylinder surface treatment blank: no surface treatment SK: electroless nickel plating LF: low temperature black chrome treatment with fluoride coating SB: black oxide (not available on anti-corrosion type) SC: industrial chrome plating	seal blank: without seal UU: seals on both sides
--	-----------------------------	--	--	--



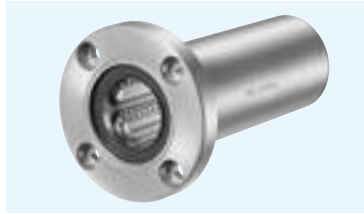
part number				number of ball circuits	dr		major dimensions		
standard steel retainer	resin retainer	anti-corrosion stainless retainer	resin retainer		mm	tolerance $\mu\text{m}$	D mm	tolerance $\mu\text{m}$	L $\pm 0.3$ mm
—	KBK 5G	—	KBSK 5G	4	5	0	12	0	22
KBK 8	KBK 8G	KBSK 8	KBSK 8G	4	8	+ 8	16	-13	25
KBK 12	KBK 12G	KBSK 12	KBSK 12G	4	12	0	22	0	32
KBK 16	KBK 16G	KBSK 16	KBSK 16G	4	16	+ 9	26	-16	36
KBK 20	KBK 20G	KBSK 20	KBSK 20G	5	20	- 1	32	0	45
KBK 25	KBK 25G	KBSK 25	KBSK 25G	6	25	+11	40	0	58
KBK 30	KBK 30G	KBSK 30	KBSK 30G	6	30	- 1	47	-19	68
KBK 40	KBK 40G	KBSK 40	KBSK 40G	6	40	+13	62	0	80
KBK 50	KBK 50G	KBSK 50	KBSK 50G	6	50	- 2	75	-22	100
KBK 60	KBK 60G	KBSK 60	KBSK 60G	6	60	0	90	0	125
KBK 80	—	—	—	6	80	+16/-4	120	-25	165

flange					eccentricity $\mu\text{m}$	perpendicularity $\mu\text{m}$	basic load rating		mass g	shaft diameter mm
Df mm	K mm	t mm	P.C.D. mm	X×Y×Z mm			dynamic C N	static Co N		
28	22	5	20	3.5×6×3.1	12	12	206	265	20	5
32	25	5	24	3.5×6×3.1			265	402	33	8
42	32	6	32	4.5×7.5×4.1			510	784	64	12
46	35	6	36	4.5×7.5×4.1			578	892	90	16
54	42	8	43	5.5×9×5.1	15	15	862	1,370	147	20
62	50	8	51	5.5×9×5.1			980	1,570	295	25
76	60	10	62	6.6×11×6.1			1,570	2,740	465	30
98	75	13	80	9×14×8.1	17	17	2,160	4,020	975	40
112	88	13	94	9×14×8.1			3,820	7,940	1,545	50
134	106	18	112	11×17×11.1			4,700	9,800	2,780	60
164	136	18	142	11×17×11.1	20	20	7,350	16,000	5,920	80

1N≒0.102kgf

# KBF-W TYPE (Euro Standard)

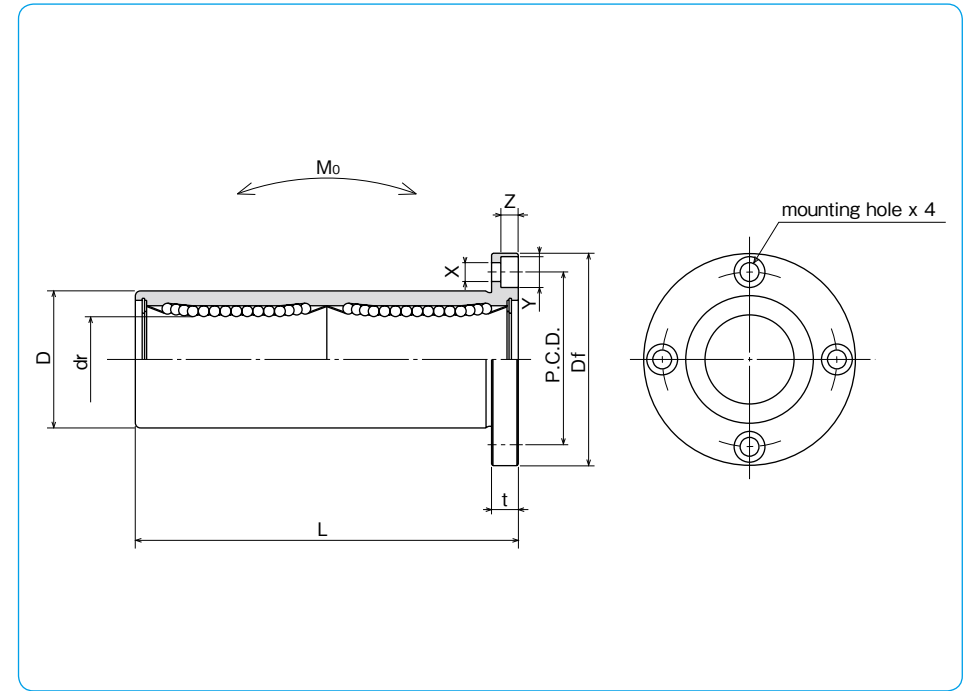
– Round Flange Double-Wide Type –



## part number structure

example **KBSF 25 G W UU -SK**

specification KBF: standard KBSF: anti-corrosion	outer cylinder surface treatment blank: no surface treatment SK: electroless nickel plating LF: low temperature black chrome treatment with fluoride coating SB: black oxide (not available on anti-corrosion type) SC: industrial chrome plating
inner contact diameter (dr)	seal blank: without seal UU: seals on both sides
retainer material blank: standard/steel G: resin	double-wide type



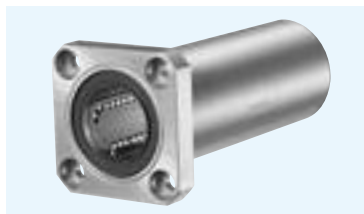
part number				number of ball circuits	dr		major dimensions		
standard steel retainer	standard resin retainer	anti-corrosion stainless retainer	anti-corrosion resin retainer		mm	tolerance $\mu\text{m}$	D mm	tolerance $\mu\text{m}$	L $\pm 0.3$ mm
KBF 8W	KBF 8GW	KBSF 8W	KBSF 8GW	4	8	+ 9	16	0/-13	46
KBF12W	KBF12GW	KBSF12W	KBSF12GW	4	12	- 1	22	0	61
KBF16W	KBF16GW	KBSF16W	KBSF16GW	4	16	+ 11	26	-16	68
KBF20W	KBF20GW	KBSF20W	KBSF20GW	5	20	- 1	32	0	80
KBF25W	KBF25GW	KBSF25W	KBSF25GW	6	25	+ 13	40	-19	112
KBF30W	KBF30GW	KBSF30W	KBSF30GW	6	30	- 2	47	0	123
KBF40W	KBF40GW	KBSF40W	KBSF40GW	6	40	+ 16	62	0	151
KBF50W	KBF50GW	KBSF50W	KBSF50GW	6	50	- 4	75	-22	192
KBF60W	KBF60GW	KBSF60W	KBSF60GW	6	60		90	0/-25	209

Df mm	t mm	flange P.C.D. mm	X × Y × Z mm	eccentricity $\mu\text{m}$	perpendicularity $\mu\text{m}$	basic load rating		allowable static moment $M_o$ N · m	mass g	shaft diameter mm
						dynamic C N	static $C_o$ N			
32	5	24	3.5 × 6 × 3.1	15	15	421	804	4.3	59	8
42	6	32	4.5 × 7.5 × 4.1			813	1,570	11.7	110	12
46	6	36	4.5 × 7.5 × 4.1			921	1,780	14.2	160	16
54	8	43	5.5 × 9 × 5.1	17	17	1,370	2,740	25.0	260	20
62	8	51	5.5 × 9 × 5.1			1,570	3,140	44.0	540	25
76	10	62	6.6 × 11 × 6.1			2,500	5,490	78.9	815	30
98	13	80	9 × 14 × 8.1	20	20	3,430	8,040	147	1,805	40
112	13	94	9 × 14 × 8.1			6,080	15,900	396	2,820	50
134	18	112	11 × 17 × 11.1			7,550	20,000	487	4,920	60

1N = 0.102kgf 1N · m = 0.102kgf · m

# KBK-W TYPE (Euro Standard)

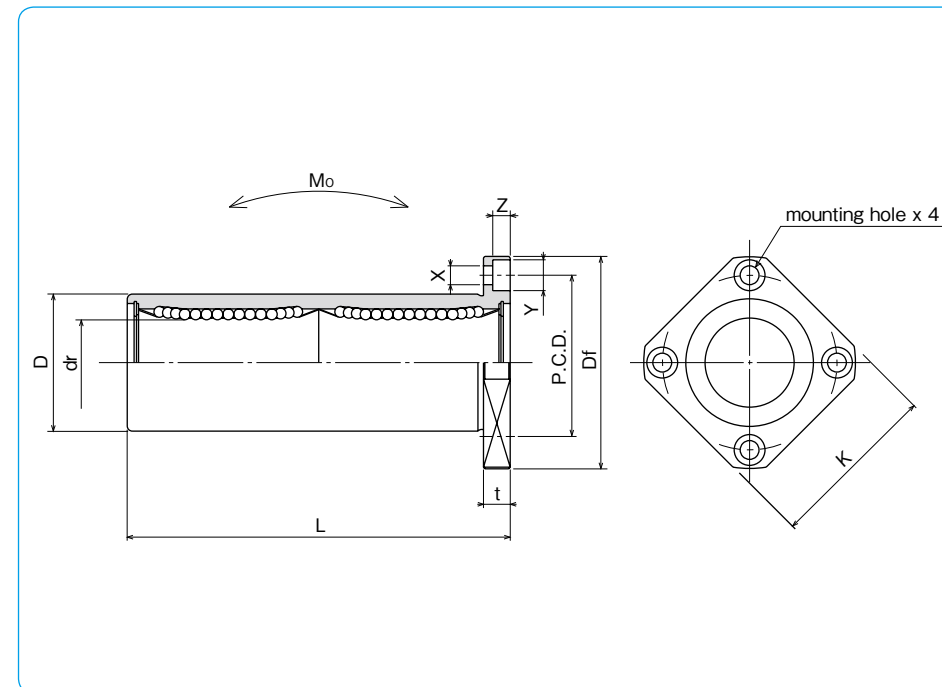
– Square Flange Double-Wide Type –



## part number structure

example **KBSK 25 G W UU-SK**

specification <b>KBK</b> : standard <b>KBSK</b> : anti-corrosion	outer cylinder surface treatment <b>blank</b> : no surface treatment <b>SK</b> : electroless nickel plating <b>LF</b> : low temperature black chrome treatment with fluoride coating <b>SB</b> : black oxide (not available on anti-corrosion type) <b>SC</b> : industrial chrome plating
inner contact diameter (dr)	seal <b>blank</b> : without seal <b>UU</b> : seals on both sides
retainer material <b>blank</b> : standard/steel anti-corrosion/stainless steel <b>G</b> : resin	double-wide type



part number				number of ball circuits	dr		major dimensions		
standard steel retainer	standard resin retainer	anti-corrosion stainless retainer	anti-corrosion resin retainer		mm	tolerance $\mu\text{m}$	D mm	tolerance $\mu\text{m}$	L $\pm 0.3$ mm
<b>KBK 8W</b>	<b>KBK 8GW</b>	<b>KBSK 8W</b>	<b>KBSK 8GW</b>	4	8	+ 9	16	0/-13	46
<b>KBK 12W</b>	<b>KBK 12GW</b>	<b>KBSK 12W</b>	<b>KBSK 12GW</b>	4	12	- 1	22	0	61
<b>KBK 16W</b>	<b>KBK 16GW</b>	<b>KBSK 16W</b>	<b>KBSK 16GW</b>	4	16	+ 11	26	-16	68
<b>KBK 20W</b>	<b>KBK 20GW</b>	<b>KBSK 20W</b>	<b>KBSK 20GW</b>	5	20	- 1	32	0	80
<b>KBK 25W</b>	<b>KBK 25GW</b>	<b>KBSK 25W</b>	<b>KBSK 25GW</b>	6	25	+ 13	40	-19	112
<b>KBK 30W</b>	<b>KBK 30GW</b>	<b>KBSK 30W</b>	<b>KBSK 30GW</b>	6	30	- 2	47	0	123
<b>KBK 40W</b>	<b>KBK 40GW</b>	<b>KBSK 40W</b>	<b>KBSK 40GW</b>	6	40	+ 16	62	0	151
<b>KBK 50W</b>	<b>KBK 50GW</b>	<b>KBSK 50W</b>	<b>KBSK 50GW</b>	6	50	- 4	75	-22	192
<b>KBK 60W</b>	<b>KBK 60GW</b>	<b>KBSK 60W</b>	<b>KBSK 60GW</b>	6	60		90	0/-25	209

Df mm	K mm	flange			eccentricity $\mu\text{m}$	perpendicularity $\mu\text{m}$	basic load rating		allowable static moment $M_o$ N·m	mass g	shaft diameter mm
		t mm	P.C.D. mm	X×Y×Z mm			dynamic C N	static $C_o$ N			
32	25	5	24	3.5×6×3.1	15	15	421	804	4.3	51	8
42	32	6	32	4.5×7.5×4.1			813	1,570	11.7	90	12
46	35	6	36	4.5×7.5×4.1			921	1,780	14.2	135	16
54	42	8	43	5.5×9×5.1	17	17	1,370	2,740	25.0	225	20
62	50	8	51	5.5×9×5.1			1,570	3,140	44.0	500	25
76	60	10	62	6.6×11×6.1			2,500	5,490	78.9	720	30
98	75	13	80	9×14×8.1	20	20	3,430	8,040	147	1,600	40
112	88	13	94	9×14×8.1			6,080	15,900	396	2,620	50
134	106	18	112	11×17×11.1			7,550	20,000	487	4,480	60

1N  $\div$  0.102kgf 1N · m  $\div$  0.102kgf · m

# KBFC TYPE (Euro Standard)

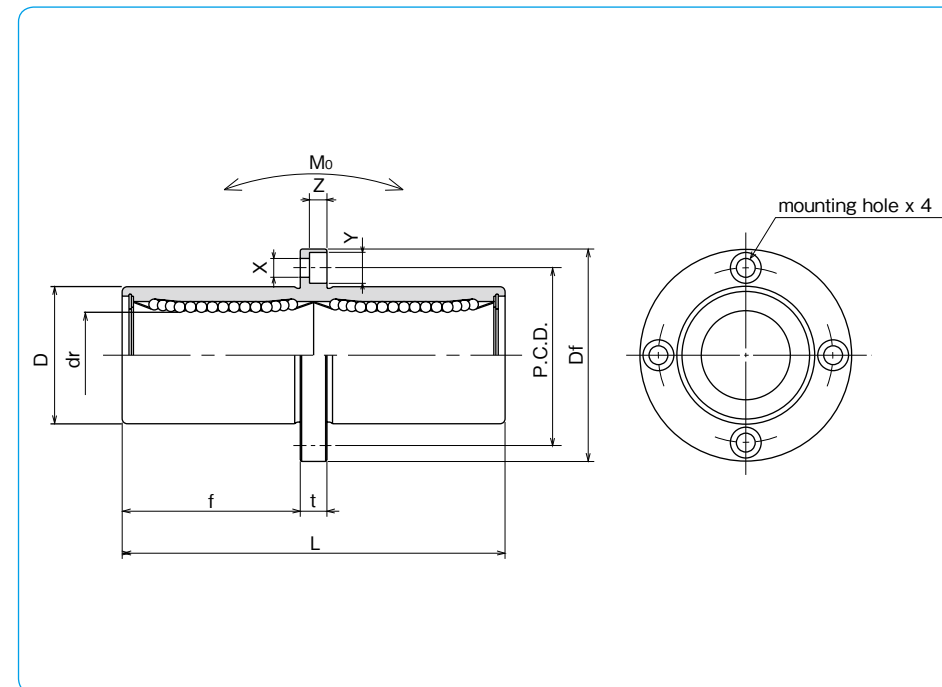
– Center Mount Round Flange Type –



## part number structure

example **KBSFC 25 G UU-SK**

specification <b>KBFC</b> : standard <b>KBSFC</b> : anti-corrosion	outer cylinder surface treatment <b>blank</b> : no surface treatment <b>SK</b> : electroless nickel plating <b>LF</b> : low temperature black chrome treatment with fluoride coating <b>SB</b> : black oxide (not available on anti-corrosion type) <b>SC</b> : industrial chrome plating
inner contact diameter (dr)	seal <b>blank</b> : without seal <b>UU</b> : seals on both sides
retainer material <b>blank</b> : standard/steel <b>G</b> : anti-corrosion/stainless steel <b>resin</b>	



part number				number of ball circuits	dr		major dimensions		
standard steel retainer	standard resin retainer	anti-corrosion stainless retainer	anti-corrosion resin retainer		mm	tolerance $\mu\text{m}$	D mm	tolerance $\mu\text{m}$	L $\pm 0.3$ mm
KBFC 8	KBFC 8G	KBSFC 8	KBSFC 8G	4	8	+ 9	16	0/-13	46
KBFC12	KBFC12G	KBSFC12	KBSFC12G	4	12	- 1	22	0	61
KBFC16	KBFC16G	KBSFC16	KBSFC16G	4	16	+ 11	26	-16	68
KBFC20	KBFC20G	KBSFC20	KBSFC20G	5	20	- 1	32	0	80
KBFC25	KBFC25G	KBSFC25	KBSFC25G	6	25	+ 13	40	-19	112
KBFC30	KBFC30G	KBSFC30	KBSFC30G	6	30	- 2	47	0	123
KBFC40	KBFC40G	KBSFC40	KBSFC40G	6	40	+ 16	62	0	151
KBFC50	KBFC50G	KBSFC50	KBSFC50G	6	50	- 4	75	-22	192
KBFC60	KBFC60G	KBSFC60	KBSFC60G	6	60		90	0/-25	209

f mm	Df mm	t mm	flange P.C.D. mm	X×Y×Z mm	eccentricity $\mu\text{m}$	perpendicularity $\mu\text{m}$	basic load rating		allowable static moment $\text{N} \cdot \text{m}$	mass g	shaft diameter mm
							dynamic C N	static Co N			
20.5	32	5	24	3.5×6×3.1	15	15	421	804	4.3	59	8
27.5	42	6	32	4.5×7.5×4.1			813	1,570	11.7	110	12
31	46	6	36	4.5×7.5×4.1			921	1,780	14.2	160	16
36	54	8	43	5.5×9×5.1	17	17	1,370	2,740	25.0	260	20
52	62	8	51	5.5×9×5.1			1,570	3,140	44.0	540	25
56.5	76	10	62	6.6×11×6.1			2,500	5,490	78.9	815	30
69	98	13	80	9×14×8.1	20	20	3,430	8,040	147	1,805	40
89.5	112	13	94	9×14×8.1			6,080	15,900	396	2,820	50
95.5	134	18	112	11×17×11.1			7,550	20,000	487	4,920	60

1N  $\div$  0.102kgf 1N · m  $\div$  0.102kgf · m

# KBKC TYPE (Euro Standard)

– Center Mount Square Flange Type –



## part number structure

example **KB****SKC** **25** **G** **UU**-**SK**

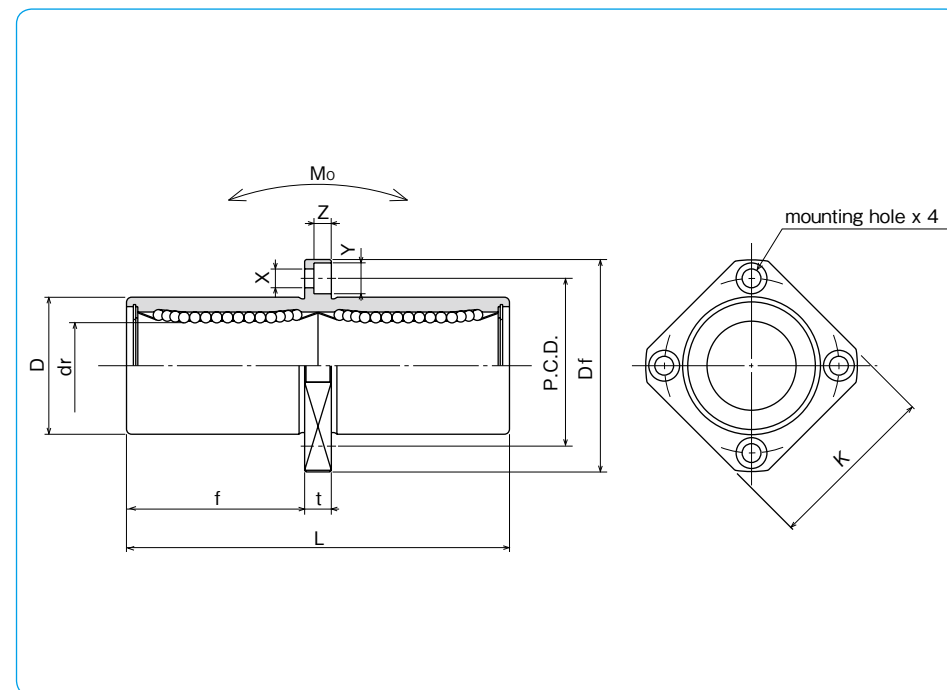
specification  
**KBKC**: standard  
**KBSKC**: anti-corrosion

inner contact diameter (dr)

retainer material  
**blank**: standard/steel  
 anti-corrosion/stainless steel  
**G**: resin

outer cylinder surface treatment  
**blank**: no surface treatment  
**SK**: electroless nickel plating  
**LF**: low temperature black chrome treatment with fluoride coating  
**SB**: black oxide (not available on anti-corrosion type)  
**SC**: industrial chrome plating

seal  
**blank**: without seal  
**UU**: seals on both sides



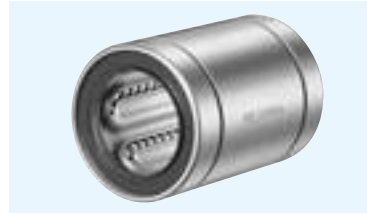
part number				number of ball circuits	dr		major dimensions		
standard steel retainer	anti-corrosion resin retainer	stainless steel retainer	resin retainer		mm	tolerance $\mu\text{m}$	D mm	tolerance $\mu\text{m}$	L $\pm 0.3$ mm
<b>KBKC 8</b>	<b>KBKC 8G</b>	<b>KBSKC 8</b>	<b>KBSKC 8G</b>	4	8	+ 9	16	0/-13	46
<b>KBKC12</b>	<b>KBKC12G</b>	<b>KBSKC12</b>	<b>KBSKC12G</b>	4	12	- 1	22	0	61
<b>KBKC16</b>	<b>KBKC16G</b>	<b>KBSKC16</b>	<b>KBSKC16G</b>	4	16	+ 11	26	-16	68
<b>KBKC20</b>	<b>KBKC20G</b>	<b>KBSKC20</b>	<b>KBSKC20G</b>	5	20	- 1	32	0	80
<b>KBKC25</b>	<b>KBKC25G</b>	<b>KBSKC25</b>	<b>KBSKC25G</b>	6	25	+ 13	40	-19	112
<b>KBKC30</b>	<b>KBKC30G</b>	<b>KBSKC30</b>	<b>KBSKC30G</b>	6	30	- 2	47	0	123
<b>KBKC40</b>	<b>KBKC40G</b>	<b>KBSKC40</b>	<b>KBSKC40G</b>	6	40	+ 16	62	0	151
<b>KBKC50</b>	<b>KBKC50G</b>	<b>KBSKC50</b>	<b>KBSKC50G</b>	6	50	- 4	75	-22	192
<b>KBKC60</b>	<b>KBKC60G</b>	<b>KBSKC60</b>	<b>KBSKC60G</b>	6	60		90	0/-25	209

f mm	Df mm	flange			P.C.D. mm	X×Y×Z mm	eccentricity $\mu\text{m}$	perpendicularity $\mu\text{m}$	basic load rating		allowable static moment $\text{N} \cdot \text{m}$	mass g	shaft diameter mm
		K mm	t mm	C N					Co N				
20.5	32	25	5	24	3.5×6×3.1	15	15	421	804	4.3	51	8	
27.5	42	32	6	32	4.5×7.5×4.1			813	1,570	11.7	90	12	
31	46	35	6	36	4.5×7.5×4.1			921	1,780	14.2	135	16	
36	54	42	8	43	5.5×9×5.1	17	17	1,370	2,740	25.0	225	20	
52	62	50	8	51	5.5×9×5.1			1,570	3,140	44.0	500	25	
56.5	76	60	10	62	6.6×11×6.1			2,500	5,490	78.9	720	30	
69	98	75	13	80	9×14×8.1	20	20	3,430	8,040	147	1,600	40	
89.5	112	88	13	94	9×14×8.1			6,080	15,900	396	2,620	50	
95.5	134	106	18	112	11×17×11.1			7,550	20,000	487	4,480	60	

1N  $\div$  0.102kgf 1N  $\cdot$  m  $\div$  0.102kgf  $\cdot$  m

# SW TYPE (Inch Standard)

– Standard Type –

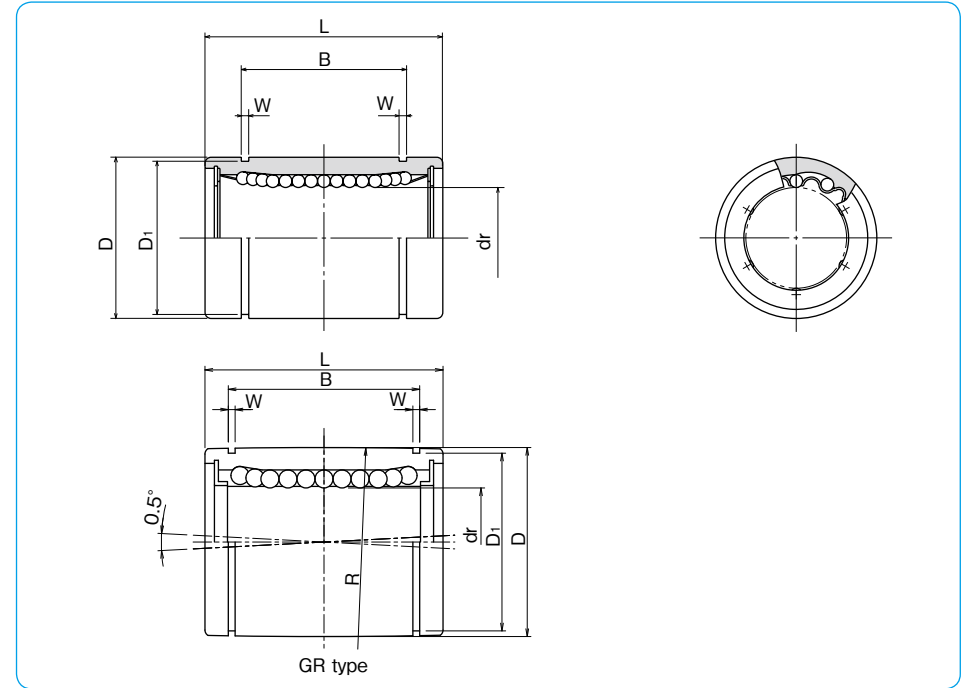


## part number structure

example **SWS16GRUU-P**

specification <b>SW</b> : standard <b>SWS</b> : anti-corrosion	size	retainer material <b>blank</b> : standard/steel anti-corrosion/stainless steel <b>G</b> : resin	accuracy grade <b>blank</b> : high <b>P</b> : precision	self aligning <b>blank</b> : non self aligning <b>R</b> : self aligning *
--	------	--	---	---

\* Precision grade is not available for the self-aligning type.  
\*Seals are not available on SWS2 and SWS3.



\*Self-aligning is available only with resin retainer for size 4 to 32 of carbon steel cylinder.

steel retainer	part number				number of ball circuits	major dimensions					
	standard		anti-corrosion			dr		D		inch (mm)	tolerance inch/(μm)
	resin	retainer	stainless retainer	resin retainer		inch (mm)	tolerance precision	inch/(μm) high	inch (mm)		
-	-	-	<b>SWS2</b>	<b>SWS2G</b>	4	.1250 (3.175)	-	0	.3125 (7.938)	0	-0.0040 (-9)
-	-	-	<b>SWS3</b>	<b>SWS3G</b>	4	.1875 (4.763)	-	0	.3750 (9.525)	0	-0.0040 (-9)
<b>SW4</b>	<b>SW4G</b>	<b>SW4GR</b>	<b>SWS4</b>	<b>SWS4G</b>	4	.2500 (6.350)	-	0	.5000 (12.700)	0	-0.0045 (-11)
<b>SW6</b>	<b>SW6G</b>	<b>SW6GR</b>	<b>SWS6</b>	<b>SWS6G</b>	4	.3750 (9.525)	-0.0025 (-6)	0	.6250 (15.875)	0	-0.0040 (-9)
<b>SW8</b>	<b>SW8G</b>	<b>SW8GR</b>	<b>SWS8</b>	<b>SWS8G</b>	4	.5000 (12.700)	-0.0025 (-6)	0	.8750 (22.225)	0	-0.0050 (-13)
<b>SW10</b>	<b>SW10G</b>	<b>SW10GR</b>	<b>SWS10</b>	<b>SWS10G</b>	4	.625 (15.875)	-0.0025 (-6)	0	1.1250 (28.575)	0	-0.0050 (-13)
<b>SW12</b>	<b>SW12G</b>	<b>SW12GR</b>	<b>SWS12</b>	<b>SWS12G</b>	5	.7500 (19.050)	-0.0030 (-7)	0	1.2500 (31.750)	0	-0.0065 (-16)
<b>SW16</b>	<b>SW16G</b>	<b>SW16GR</b>	<b>SWS16</b>	<b>SWS16G</b>	6	1.0000 (25.400)	-0.0030 (-7)	0	1.5625 (39.688)	0	-0.0065 (-16)
<b>SW20</b>	<b>SW20G</b>	<b>SW20GR</b>	<b>SWS20</b>	<b>SWS20G</b>	6	1.2500 (31.750)	-0.0030 (-7)	0	2.0000 (50.800)	0	-0.0075 (-19)
<b>SW24</b>	<b>SW24G</b>	<b>SW24GR</b>	<b>SWS24</b>	<b>SWS24G</b>	6	1.5000 (38.100)	-0.0035 (-8)	0	2.3750 (60.325)	0	-0.0075 (-19)
<b>SW32</b>	<b>SW32G</b>	<b>SW32GR</b>	<b>SWS32</b>	<b>SWS32G</b>	6	2.0000 (50.800)	-0.0035 (-8)	0	3.0000 (76.200)	0	-0.0090 (-22)
<b>SW40</b>	-	-	-	-	6	2.5000 (63.500)	-0.0040 (-9)	0	3.7500 (95.250)	0	-0.0090 (-22)
<b>SW48</b>	-	-	-	-	6	3.0000 (76.200)	-0.0040 (-9)	0	4.5000 (114.300)	0	-0.0110 (-28)
<b>SW64</b>	-	-	-	-	6	4.0000 (101.600)	-0.0040 (-9)	0	6.0000 (152.400)	0	-0.0110 (-28)

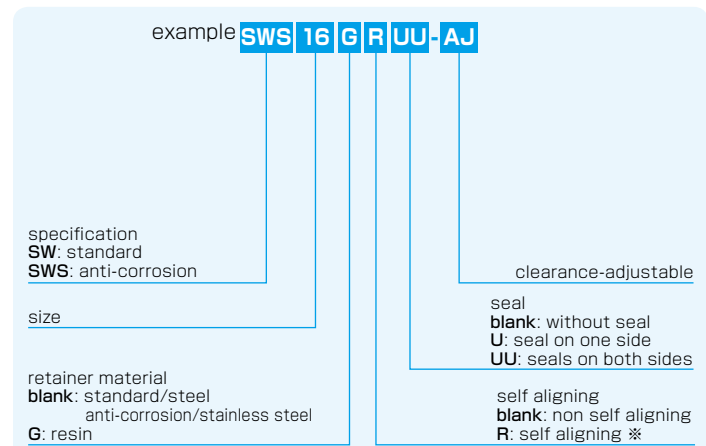
L	B	W	D <sub>1</sub>	eccentricity		radial clearance (maximum) inch/(μm)	basic load rating		mass g	shaft diameter inch (mm)
				precision	high		dynamic C	static Co		
				inch/(μm)	inch/(μm)		N	N		
5000 (12.700)	.3681 (9.35)	.0280 (0.710)	.2902 (7.370)	-	.0003 (8)	-0.001 (-2)	59	76	2.8 (3.175)	
.5625 (14.275)	.4311 (10.95)	.0280 (0.710)	.3520 (8.940)	-	.0003 (8)	-	91	110	3.6 (4.763)	
.7500 (19.050)	.5110 (12.98)	.0390 (0.992)	.4687 (11.906)	-	.0003 (8)	-0.001 (-3)	206	265	9.5 (6.350)	
.8750 (22.225)	.6358 (16.15)	.0390 (0.992)	.5880 (14.935)	-	.0003 (8)	-	225	314	15 (9.525)	
1.2500 (31.750)	.9625 (24.46)	.0459 (1.168)	.8209 (20.853)	.0003 (8)	.0005 (12)	-0.001 (-4)	510	784	42 (12.700)	
1.5000 (38.100)	1.1039 (28.575)	.0559 (1.422)	1.0590 (26.899)	.0003 (8)	.0005 (12)	-	774	1,180	85 (15.875)	
1.6250 (41.275)	1.1657 (29.61)	.0559 (1.422)	1.1760 (29.870)	.0004 (10)	.0006 (15)	-0.002 (-6)	862	1,370	104 (19.050)	
2.2500 (57.150)	1.7547 (44.57)	.0679 (1.727)	1.4687 (37.306)	.0004 (10)	.0006 (15)	-	980	1,570	220 (25.400)	
2.6250 (66.675)	2.0047 (50.92)	.0679 (1.727)	1.8859 (47.904)	.0005 (12)	.0008 (20)	-0.003 (-8)	1,570	2,740	465 (1-1/4 (31.750))	
3.0000 (76.200)	2.4118 (61.26)	.0859 (2.184)	2.2389 (56.870)	.0005 (12)	.0008 (20)	-	2,180	4,020	720 (1-1/2 (38.100))	
4.0000 (101.600)	3.1917 (81.07)	.1029 (2.616)	2.8379 (72.085)	.0007 (17)	.0010 (25)	-0.005 (-13)	3,820	7,940	1,310 (50.800)	
5.0000 (127.000)	3.9760 (100.99)	.1200 (3.048)	3.5519 (90.220)	.0007 (17)	.0010 (25)	-	4,700	10,000	2,600 (63.500)	
6.0000 (152.400)	4.726 (120.04)	.1200 (3.048)	4.3100 (109.474)	.0008 (20)	.0012 (30)	-0.008 (-20)	7,350	16,000	4,380 (76.200)	
8.0000 (203.200)	6.258 (158.95)	.1389 (3.530)	5.745 (145.923)	.0008 (20)	.0012 (30)	-	14,100	34,800	10,200 (101.600)	

# SW-AJ TYPE (Inch Standard)

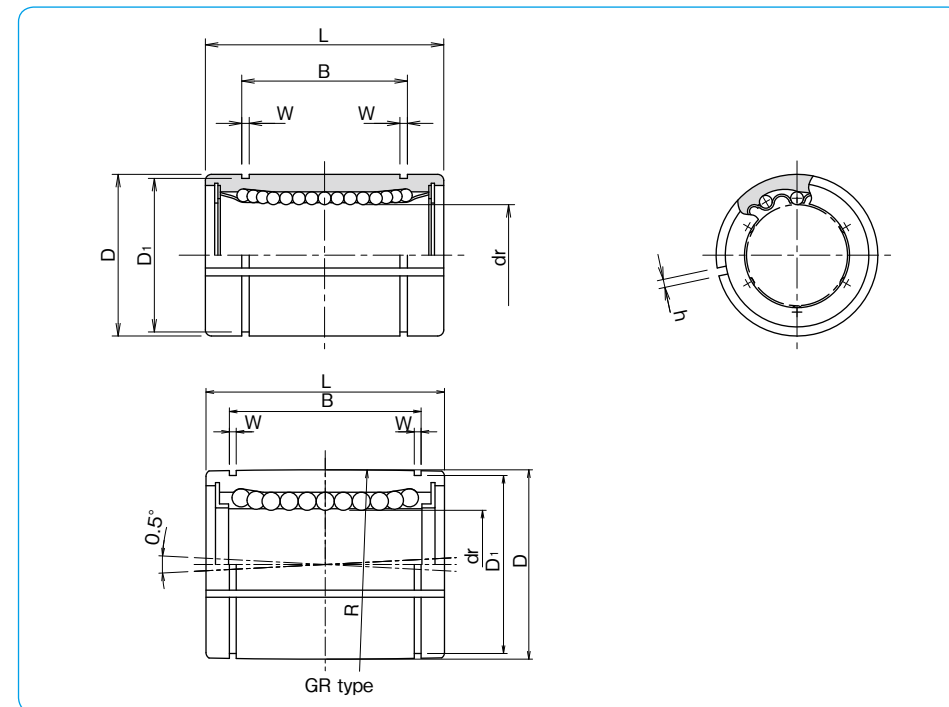
– Clearance Adjustable Type –



## part number structure



\*Self-aligning is available only with resin retainer for size 8 to 32 of carbon steel cylinder.



steelretainer	partnumber		anti-corrosion retainer	number ofball circuits	dr		majordimensions		
	standard resinretainer	resinretainer			inch (mm)	tolerance* inch/(μm)	inch (mm)	tolerance* inch/(μm)	
-	SW4G-AJ	-	-	SWS4G-AJ	4	.2500 (6.350)		.5000 (12.700)	<sup>0</sup> (-11)
-	SW6G-AJ	-	-	SWS6G-AJ	4	.3750 (9.525)	0 (-9)	.6250 (15.875)	<sup>0</sup> (-13)
SW8-AJ	SW8G-AJ	SW8GR-AJ	SWS8-AJ	SWS8G-AJ	4	5.0000 (12.700)		.8750 (22.225)	<sup>0</sup> (-13)
SW10-AJ	SW10G-AJ	SW10GR-AJ	SWS10-AJ	SWS10G-AJ	4	.625 (15.875)		1.1250 (28.575)	<sup>0</sup> (-16)
SW12-AJ	SW12G-AJ	SW12GR-AJ	SWS12-AJ	SWS12G-AJ	5	.7500 (19.050)	0 (-10)	1.2500 (31.750)	<sup>0</sup> (-16)
SW16-AJ	SW16G-AJ	SW16GR-AJ	SWS16-AJ	SWS16G-AJ	6	1.0000 (25.400)		1.5625 (39.688)	<sup>0</sup> (-19)
SW20-AJ	SW20G-AJ	SW20GR-AJ	SWS20-AJ	SWS20G-AJ	6	1.2500 (31.750)	0 (-12)	2.0000 (50.800)	<sup>0</sup> (-22)
SW24-AJ	SW24G-AJ	SW24GR-AJ	SWS24-AJ	SWS24G-AJ	6	1.5000 (38.100)		2.3750 (60.325)	<sup>0</sup> (-25)
SW32-AJ	SW32G-AJ	SW32GR-AJ	SWS32-AJ	SWS32G-AJ	6	2.0000 (50.800)		3.0000 (76.200)	<sup>0</sup> (-25)
SW40-AJ	-	-	-	-	6	2.5000 (63.500)	0 (-15)	3.7500 (95.250)	<sup>0</sup> (-25)
SW48-AJ	-	-	-	-	6	3.0000 (76.200)		4.5000 (114.300)	<sup>0</sup> (-25)
SW64-AJ	-	-	-	-	6	4.0000 (101.600)	<sup>0</sup> (-20)	6.0000 (152.400)	<sup>0</sup> (-25)

\* Accuracy is measured prior to machining clearance slit.

L	B	W	D <sub>1</sub>	h	eccentricity*	basicloadrating		mass	shaft diameter
						dynamic C	static C <sub>0</sub>		
.7500 (19.050)	.5100 (12.98)	.0390 (0.992)	.4687 (11.906)	.04 (1)	.0005 (12)	206	265	7.5	1/4 (6.350)
.8750 (22.225)	.6358 (12.15)	.0390 (0.992)	.5880 (14.935)	.04 (1)		225	314	13.5	3/8 (9.525)
1.2500 (31.750)	.9625 (24.46)	.0459 (1.168)	.8209 (20.853)	.06 (1.5)		510	784	41	1/2 (12.700)
1.5000 (38.100)	1.1039 (28.04)	.0559 (1.422)	1.0590 (26.899)	.06 (1.5)		774	1,180	83	5/8 (15.875)
1.6250 (41.275)	1.1657 (29.61)	.0559 (1.422)	1.1760 (29.870)	.06 (1.5)	.0006 (15)	862	1,370	102	3/4 (19.050)
2.2500 (57.150)	1.7547 (44.57)	.0679 (1.727)	1.4687 (37.306)	.06 (1.5)		980	1,570	218	1 (25.400)
2.6250 (66.675)	2.0047 (50.92)	.0679 (1.727)	1.8859 (47.904)	.10 (2.5)	.0008 (20)	1,570	2,740	455	1-1/4 (31.750)
3.0000 (76.200)	2.4118 (61.26)	.0859 (2.184)	2.2389 (56.870)	.12 (3)		2,180	4,020	710	1-1/2 (38.100)
4.0000 (101.600)	3.1917 (81.07)	.1029 (2.616)	2.8379 (72.085)	.12 (3)	.0010 (25)	3,820	7,940	1,290	2 (50.800)
5.0000 (127.000)	3.9760 (100.99)	.1200 (3.048)	3.5519 (90.220)	.12 (3)		4,700	10,000	2,560	2-1/2 (63.500)
6.0000 (152.400)	4.726 (120.04)	.1200 (3.048)	4.3100 (109.474)	.12 (3)	.0012 (30)	7,350	16,000	4,350	3 (76.200)
8.0000 (203.200)	6.258 (158.95)	.1389 (3.530)	5.745 (145.923)	.12 (3)		14,100	34,800	10,150	4 (101.600)

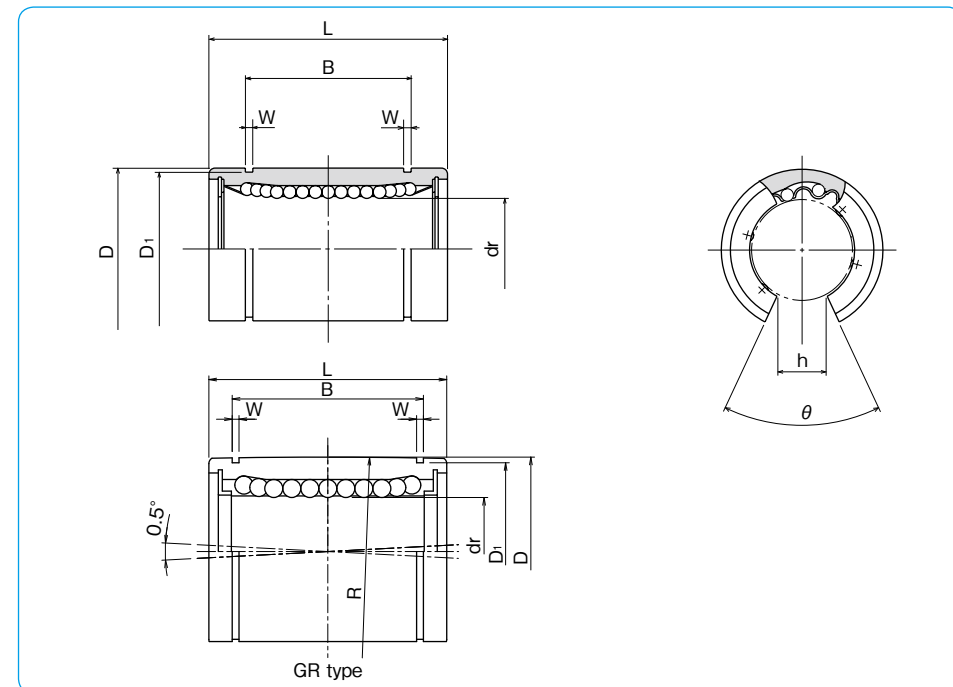
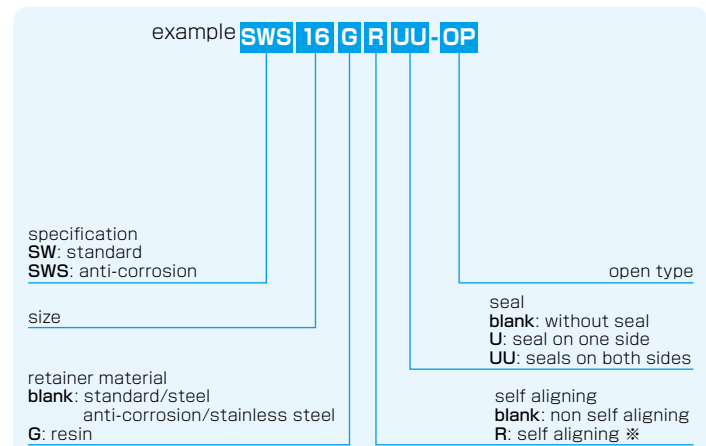
1N≒0.225lbf 1kg≒2.205lbs

# SW-OP TYPE (Inch Standard)

– Open Type –



## part number structure



\*Self-aligning is available only with resin retainer for size 8 to 32 of carbon steel cylinder.

steel retainer	part number		steel retainer	resin retainer	number of ball circuits	major dimensions			
	standard	anti-corrosion				dr		D	
	resin retainer	steel retainer	resin retainer		inch (mm)	tolerance* inch/(μm)	inch (mm)	tolerance* inch/(μm)	
SW 8-OP	SW 8G-OP	SW 8GR-OP	SWS 8-OP	SWS 8G-OP	3	.5000 (12.700)	0 (-0.00040)	.8750 (22.225)	0 (-0.00050)
SW10-OP	SW10G-OP	SW10GR-OP	SWS10-OP	SWS10G-OP	3	.625 (15.875)	0 (-0.00040)	1.1250 (28.575)	0 (-0.00050)
SW12-OP	SW12G-OP	SW12GR-OP	SWS12-OP	SWS12G-OP	4	.7500 (19.050)	0 (-0.00040)	1.2500 (31.750)	0 (-0.00065)
SW16-OP	SW16G-OP	SW16GR-OP	SWS16-OP	SWS16G-OP	5	1.0000 (25.400)	0 (-0.00040)	1.5625 (39.688)	0 (-0.00065)
SW20-OP	SW20G-OP	SW20GR-OP	SWS20-OP	SWS20G-OP	5	1.2500 (31.750)	0 (-0.00040)	2.0000 (50.800)	0 (-0.00075)
SW24-OP	SW24G-OP	SW24GR-OP	SWS24-OP	SWS24G-OP	5	1.5000 (38.100)	0 (-0.00050)	2.3750 (60.325)	0 (-0.00075)
SW32-OP	SW32G-OP	SW32GR-OP	SWS32-OP	SWS32G-OP	5	2.0000 (50.800)	0 (-0.00050)	3.0000 (76.200)	0 (-0.00075)
SW40-OP	-	-	-	-	5	2.5000 (63.500)	0 (-0.00060)	3.7500 (95.250)	0 (-0.00090)
SW48-OP	-	-	-	-	5	3.0000 (76.200)	0 (-0.00060)	4.5000 (114.300)	0 (-0.00090)
SW64-OP	-	-	-	-	5	4.0000 (101.600)	0 (-0.00080)	6.0000 (152.400)	0 (-0.00100)

\* Accuracy is measured prior to machining clearance slit.

L	tolerance	B	tolerance	W	D <sub>1</sub>	h	θ	eccentricity*	basic load rating		mass	shaft diameter
									dynamic C	static Co		
inch (mm)	inch/(mm)	inch (mm)	inch/(mm)	inch (mm)	inch (mm)	inch (mm)	inch (mm)	inch (μm)	N	N	g	inch (mm)
1.2500 (31.750)	0	.9625 (24.46)	0	.0459 (1.168)	.8209 (20.853)	.3125 (7.9375)	80°	.0005 (12)	510	784	32	1/2 (12.700)
1.5000 (38.100)	-0.008 (-0.2)	1.1039 (28.04)	-0.008 (-0.2)	.0559 (1.422)	1.0590 (26.899)	.375 (9.5250)	80°	.0005 (12)	774	1,180	64	5/8 (15.875)
1.6250 (41.275)	0	1.1657 (29.61)	0	.0559 (1.422)	1.1760 (29.870)	.4375 (11.1125)	60°	.0006 (15)	862	1,370	86	3/4 (19.050)
2.2500 (57.150)	0	1.7547 (44.57)	0	.0679 (1.727)	1.4687 (37.306)	.5625 (14.2875)	50°	.0006 (15)	980	1,570	190	1 (25.400)
2.6250 (66.675)	0	2.0047 (50.92)	0	.0679 (1.727)	1.8859 (47.904)	.625 (15.875)	50°	.0008 (20)	1,570	2,740	390	1-1/4 (31.750)
3.0000 (76.200)	-0.012 (-0.3)	2.4118 (61.26)	-0.012 (-0.3)	0.859 (2.184)	2.2389 (56.870)	.75 (19.05)	50°	.0008 (20)	2,180	4,020	610	1-1/2 (38.100)
4.0000 (101.600)	0	3.1917 (81.07)	0	.1029 (2.616)	2.8379 (72.085)	1.0 (25.40)	50°	.0010 (25)	3,820	7,940	1,120	2 (50.800)
5.0000 (127.000)	0	3.9760 (100.99)	0	.1200 (3.048)	3.5519 (90.220)	1.25 (31.75)	50°	.0010 (25)	4,700	10,000	2,230	2-1/2 (63.500)
6.0000 (152.400)	0	4.726 (120.04)	0	.1200 (3.048)	4.3100 (109.474)	1.5 (38.10)	50°	.0010 (25)	7,350	16,000	3,750	3 (76.200)
8.0000 (203.200)	-0.016 (-0.4)	6.258 (158.95)	-0.016 (-0.4)	.1389 (3.530)	5.745 (145.923)	2.0 (50.80)	50°	.0012 (30)	14,100	34,800	8,740	4 (101.60)

1N≒0.225lbf 1kg≒2.205lbs



# SW-W TYPE (Inch Standard)

– Double-Wide Type –



## part number structure

example **SWS 16 G W UU**

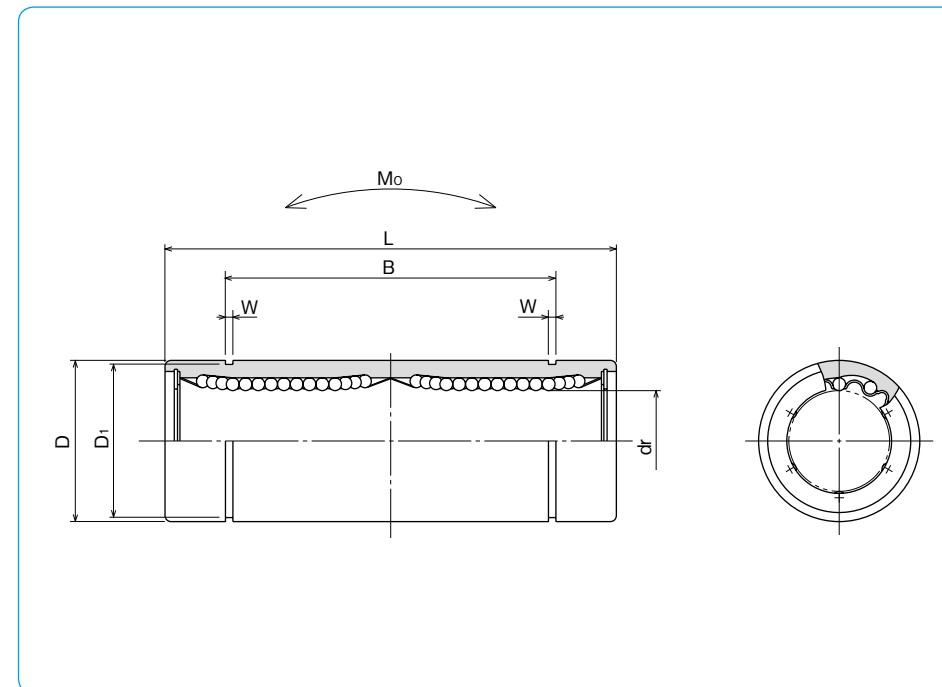
specification  
**SW**: standard  
**SWS**: anti-corrosion

size

retainer material  
**blank**: standard/steel  
 anti-corrosion/stainless steel  
**G**: resin

seal  
**blank**: without seal  
**UU**: seals on both sides

double-wide type



part number		number of ball circuits	major dimensions				
standard	anti-corrosion		dr	D			
steel retainer	resin retainer	stainless retainer	resin retainer	inch (mm)	tolerance inch/(μm)	inch (mm)	tolerance inch/(μm)
<b>SW 4W</b>	<b>SW 4GW</b>	<b>SWS 4W</b>	<b>SWS 4GW</b>	.2500 (6.350)		.5000 (12.700)	<sup>0</sup> <sub>-.00050 (-13)</sub>
<b>SW 6W</b>	<b>SW 6GW</b>	<b>SWS 6W</b>	<b>SWS 6GW</b>	.3750 (9.525)	<sup>0</sup> <sub>-.00040 (-10)</sub>	.6250 (15.875)	<sup>0</sup> <sub>-.00065 (-16)</sub>
<b>SW 8W</b>	<b>SW 8GW</b>	<b>SWS 8W</b>	<b>SWS 8GW</b>	.5000 (12.700)		.8750 (22.225)	<sup>0</sup> <sub>-.00075 (-19)</sub>
<b>SW 10W</b>	<b>SW 10GW</b>	<b>SWS 10W</b>	<b>SWS 10GW</b>	.6250 (15.875)		1.1250 (28.575)	<sup>0</sup> <sub>-.00090 (-22)</sub>
<b>SW 12W</b>	<b>SW 12GW</b>	<b>SWS 12W</b>	<b>SWS 12GW</b>	.7500 (19.050)	<sup>0</sup> <sub>-.00050 (-12)</sub>	1.2500 (31.750)	<sup>0</sup> <sub>-.00100 (-25)</sub>
<b>SW 16W</b>	<b>SW 16GW</b>	<b>SWS 16W</b>	<b>SWS 16GW</b>	1.0000 (25.400)		1.5625 (39.688)	
<b>SW 20W</b>	<b>SW 20GW</b>	<b>SWS 20W</b>	<b>SWS 20GW</b>	1.2500 (31.750)	<sup>0</sup> <sub>-.00060 (-15)</sub>	2.0000 (50.800)	
<b>SW 24W</b>	<b>SW 24GW</b>	<b>SWS 24W</b>	<b>SWS 24GW</b>	1.5000 (38.100)		2.3750 (60.325)	
<b>SW 32W</b>	<b>SW 32GW</b>	<b>SWS 32W</b>	<b>SWS 32GW</b>	2.0000 (50.800)		3.0000 (76.200)	

L		B		W	D <sub>1</sub>	eccentricity inch (μm)	basic load rating		allowable static moment Mo N·m	mass g	shaft diameter inch (mm)
inch (mm)	tolerance inch/(mm)	inch (mm)	tolerance inch/(mm)	inch (mm)	inch (mm)		dynamic C N	static Co N			
1.3750 (34.925)		1.0220 (25.959)		.0390 (0.992)	.4687 (11.906)	.0006 (15)	323	530	2.0	17.5	1/4 (6.350)
1.5938 (40.481)		1.2716 (32.298)		.0390 (0.992)	.5880 (14.935)		353	630	2.7	28	3/8 (9.525)
2.3750 (60.325)	<sup>0</sup> <sub>-.012 (-0.3)</sub>	1.9250 (48.895)	<sup>0</sup> <sub>-.012 (-0.3)</sub>	.0459 (1.168)	.8209 (20.853)	.0008 (20)	813	1,570	11.5	80	1/2 (12.700)
2.8125 (71.438)		2.2079 (56.080)		.0559 (1.422)	1.0590 (26.899)		1,230	2,350	20.0	160	5/8 (15.875)
3.0937 (78.581)		2.3314 (59.218)		.0559 (1.422)	1.1760 (29.870)	.0010 (25)	1,370	2,740	26.5	195	3/4 (19.050)
4.2813 (108.744)		3.5094 (89.139)		.0679 (1.727)	1.4687 (37.306)		1,570	3,140	41.2	410	1 (25.400)
5.0000 (127.000)	<sup>0</sup> <sub>-.016 (-0.4)</sub>	4.0094 (101.839)	<sup>0</sup> <sub>-.016 (-0.4)</sub>	.0679 (1.727)	1.8859 (47.904)	.0012 (30)	2,500	5,490	84.8	820	1-1/4 (31.750)
5.6875 (144.463)		4.8236 (122.519)		.0859 (2.184)	2.2389 (56.870)		3,430	8,040	143	1,250	1-1/2 (38.100)
7.7500 (196.850)		6.3834 (162.138)		.1029 (2.616)	2.8379 (72.085)		6,080	15,900	399	2,350	2 (50.800)

1N≒0.225lbf 1N·m≒0.738lb·ft  
 1kg≒2.205lbs

# SWF TYPE (Inch Standard)

– Round Flange Type –



## part number structure

example **SWSF 16 G UU-SK**

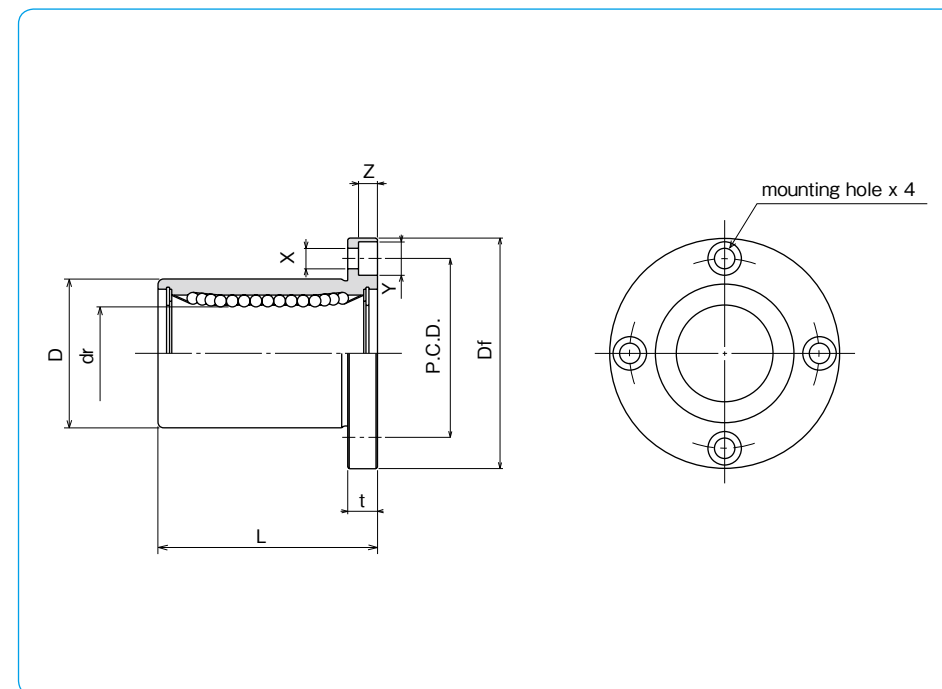
specification  
**SWF**: standard  
**SWSF**: anti-corrosion

size

retainer material  
**blank**: standard/steel  
 anti-corrosion/stainless steel  
**G**: resin

outer cylinder  
 surface treatment  
**blank**: no surface treatment  
**SK**: electroless nickel plating  
**LF**: low temperature black chrome  
 treatment with fluoride coating  
**SB**: black oxide (not available on  
 anti-corrosion type)  
**SC**: industrial chrome plating

seal  
**blank**: without seal  
**UU**: seals on both sides



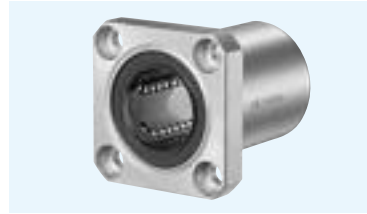
part number				number of ball circuits	major dimensions					
standard steel retainer	anti-corrosion resin retainer	stainless steel retainer	resin retainer		dr		D		L	
inch	inch	inch	inch	inch	tolerance	inch	tolerance	$\pm 0.012$ ( $\pm 0.3$ )		
(mm)	(mm)	(mm)	(mm)	(mm)	inch/( $\mu$ m)	(mm)	inch/( $\mu$ m)	inch/(mm)		
<b>SWF 4</b>	<b>SWF 4G</b>	<b>SWSF 4</b>	<b>SWSF 4G</b>	4	.2500 (6.350)		.5000 (12.700)	$^{-0.00050}$ (-13)	.7500 (19.050)	
<b>SWF 6</b>	<b>SWF 6G</b>	<b>SWSF 6</b>	<b>SWSF 6G</b>	4	.3750 (9.525)	0 (-9)	.6250 (15.875)	0	.8750 (22.225)	
<b>SWF 8</b>	<b>SWF 8G</b>	<b>SWSF 8</b>	<b>SWSF 8G</b>	4	.5000 (12.700)		.8750 (22.225)	$^{-0.00065}$ (-16)	1.2500 (31.750)	
<b>SWF10</b>	<b>SWF10G</b>	<b>SWSF10</b>	<b>SWSF10G</b>	4	.6250 (15.875)		1.1250 (28.575)		1.5000 (38.100)	
<b>SWF12</b>	<b>SWF12G</b>	<b>SWSF12</b>	<b>SWSF12G</b>	5	.7500 (19.050)	0 (-10)	1.2500 (31.750)	$^{-0.00075}$ (-19)	1.6250 (41.275)	
<b>SWF16</b>	<b>SWF16G</b>	<b>SWSF16</b>	<b>SWSF16G</b>	6	1.0000 (25.400)		1.5625 (39.688)		2.2500 (57.150)	
<b>SWF20</b>	<b>SWF20G</b>	<b>SWSF20</b>	<b>SWSF20G</b>	6	1.2500 (31.750)	0	2.0000 (50.800)	0	2.6250 (66.675)	
<b>SWF24</b>	<b>SWF24G</b>	<b>SWSF24</b>	<b>SWSF24G</b>	6	1.5000 (38.100)	$^{-0.00050}$ (-12)	2.3750 (60.325)	$^{-0.00090}$ (-22)	3.0000 (76.200)	
<b>SWF32</b>	<b>SWF32G</b>	<b>SWSF32</b>	<b>SWSF32G</b>	6	2.0000 (50.800)		3.0000 (76.200)		4.0000 (101.600)	
<b>SWF40</b>	—	—	—	6	2.5000 (63.500)	0	3.7500 (95.250)	$^{-0.00100}$ (-25)	5.0000 (127.000)	
<b>SWF48</b>	—	—	—	6	3.0000 (76.200)	$^{-0.00060}$ (-15)	4.5000 (114.300)		6.0000 (152.400)	
<b>SWF64</b>	—	—	—	6	4.0000 (101.600)	$^{-0.00080}$ (-20)	6.0000 (152.400)	$^{-0.00115}$ (-29)	8.0000 (203.200)	

Df	t	flange		eccentricity	perpendicularity	basic load rating		mass	shaft diameter
		P.C.D.	X × Y × Z			dynamic C	static Co		
inch/(mm)	inch/(mm)	inch/(mm)	inch/(mm)	inch ( $\mu$ m)	inch ( $\mu$ m)	N	N	g	inch (mm)
1.2500 (31.750)	.2187 (5.556)	.8750 (22.225)	.1560 × .2500 × .1410 (3.969 × 6.350 × 3.572)	.0005 (12)	.0005 (12)	206	265	32	1/4 (6.350)
1.5000 (38.100)	.2500 (6.350)	1.0620 (26.988)	.1875 × .2970 × .1720 (4.763 × 7.541 × 4.366)			225	314	47	3/8 (9.525)
1.7500 (44.450)	.2500 (6.350)	1.312 (33.338)	.1875 × .2970 × .1720 (4.763 × 7.541 × 4.366)			510	784	88	1/2 (12.700)
2.0000 (50.800)	.2500 (6.350)	1.5620 (39.688)	.1875 × .2970 × .1720 (4.763 × 7.541 × 4.366)			774	1,180	140	5/8 (15.875)
2.1875 (55.563)	.3125 (7.938)	1.7180 (43.660)	.2187 × .3440 × .2030 (5.556 × 8.731 × 5.159)	.0006 (15)	.0006 (15)	862	1,370	190	3/4 (19.050)
2.5000 (63.500)	.3125 (7.938)	2.0310 (51.594)	.2187 × .3440 × .2030 (5.556 × 8.731 × 5.159)			980	1,570	325	1 (25.400)
3.1250 (79.375)	.3750 (9.525)	2.5625 (65.088)	.2812 × .4060 × .2656 (7.144 × 10.319 × 6.747)	.0008 (20)	.0008 (20)	1,570	2,740	665	1-1/4 (31.750)
3.7500 (95.250)	.5000 (12.700)	3.0625 (77.788)	.3440 × .5000 × .3280 (8.731 × 12.700 × 8.334)			2,180	4,020	1,100	1-1/2 (38.100)
4.3750 (111.125)	.5000 (12.700)	3.6875 (93.662)	.3440 × .5000 × .3280 (8.731 × 12.700 × 8.334)			3,820	7,940	1,760	2 (50.800)
5.3750 (136.525)	.7500 (19.050)	4.5625 (115.887)	.4062 × .6250 × .3750 (10.319 × 15.875 × 9.525)	.0010 (25)	.0010 (25)	4,700	10,000	3,570	2-1/2 (63.500)
6.1250 (155.575)	.7500 (19.050)	5.3125 (134.937)	.4062 × .6250 × .3750 (10.319 × 15.875 × 9.525)			7,350	16,000	5,600	3 (76.200)
8.0000 (203.200)	.8750 (22.225)	7.0000 (177.800)	.5000 × .7125 × .5000 (12.700 × 18.097 × 12.700)	.0012 (30)	.0012 (30)	14,100	34,800	12,000	4 (101.600)

1N ≅ 0.225lbf 1kg ≅ 2.205lbf

# SWK TYPE (Inch Standard)

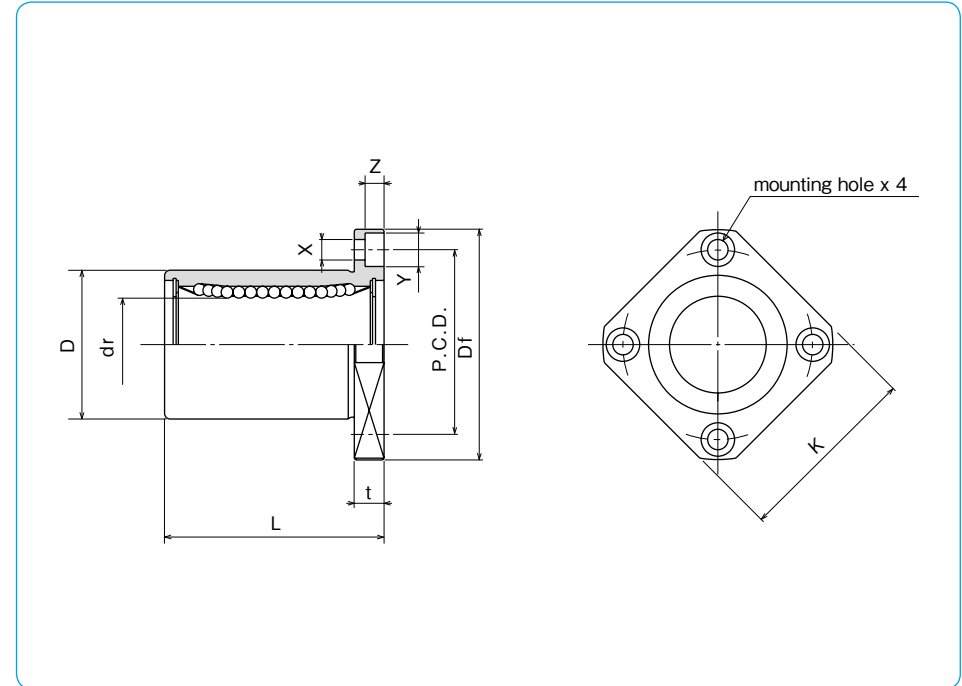
– Square Flange Type –



### part number structure

example **SWSK 16 G UU-SK**

specification <b>SWK</b> : standard <b>SWSK</b> : anti-corrosion	size <b>16</b>	retainer material <b>G</b> : resin	outer cylinder surface treatment <b>blank</b> : no surface treatment <b>SK</b> : electroless nickel plating <b>LF</b> : low temperature black chrome treatment with fluoride coating <b>SB</b> : black oxide (not available on anti-corrosion type) <b>SC</b> : industrial chrome plating	seal <b>blank</b> : without seal <b>UU</b> : seals on both sides
--	-------------------	---------------------------------------	--	--



part number		major dimensions		number of ball circuits	dr		D		L ±0.012 (±0.3) inch/(mm)
standard	anti-corrosion	inch	tolerance		inch	tolerance	inch	tolerance	
steel retainer	resin retainer	stainless retainer	resin retainer		(mm)	inch/(μm)	(mm)	inch/(μm)	
<b>SWK 4</b>	<b>SWK 4G</b>	<b>SWSK 4</b>	<b>SWSK 4G</b>	4	.2500 (6.350)	<sup>0</sup> / <sub>-0.0040</sub> (-9)	.5000 (12.700)	<sup>0</sup> / <sub>-0.0050</sub> (-13)	.7500 (19.050)
<b>SWK 6</b>	<b>SWK 6G</b>	<b>SWSK 6</b>	<b>SWSK 6G</b>	4	.3750 (9.525)	<sup>0</sup> / <sub>-0.0040</sub> (-9)	.6250 (15.875)	<sup>0</sup> / <sub>-0.0065</sub> (-16)	.8750 (22.225)
<b>SWK 8</b>	<b>SWK 8G</b>	<b>SWSK 8</b>	<b>SWSK 8G</b>	4	.5000 (12.700)	<sup>0</sup> / <sub>-0.0040</sub> (-9)	.7500 (19.050)	<sup>0</sup> / <sub>-0.0065</sub> (-16)	1.2500 (31.750)
<b>SWK 10</b>	<b>SWK 10G</b>	<b>SWSK 10</b>	<b>SWSK 10G</b>	4	.6250 (15.875)	<sup>0</sup> / <sub>-0.0040</sub> (-9)	1.1250 (28.575)	<sup>0</sup> / <sub>-0.0075</sub> (-19)	1.5000 (38.100)
<b>SWK 12</b>	<b>SWK 12G</b>	<b>SWSK 12</b>	<b>SWSK 12G</b>	5	.7500 (19.050)	<sup>0</sup> / <sub>-0.0040</sub> (-9)	1.2500 (31.750)	<sup>0</sup> / <sub>-0.0075</sub> (-19)	1.6250 (41.275)
<b>SWK 16</b>	<b>SWK 16G</b>	<b>SWSK 16</b>	<b>SWSK 16G</b>	6	1.0000 (25.400)	<sup>0</sup> / <sub>-0.0050</sub> (-12)	1.5625 (39.688)	<sup>0</sup> / <sub>-0.0090</sub> (-22)	2.2500 (57.150)
<b>SWK20</b>	<b>SWK20G</b>	<b>SWSK20</b>	<b>SWSK20G</b>	6	1.2500 (31.750)	<sup>0</sup> / <sub>-0.0050</sub> (-12)	2.0000 (50.800)	<sup>0</sup> / <sub>-0.0100</sub> (-25)	2.6250 (66.675)
<b>SWK24</b>	<b>SWK24G</b>	<b>SWSK24</b>	<b>SWSK24G</b>	6	1.5000 (38.100)	<sup>0</sup> / <sub>-0.0060</sub> (-15)	2.3750 (60.325)	<sup>0</sup> / <sub>-0.0115</sub> (-29)	3.0000 (76.200)
<b>SWK32</b>	<b>SWK32G</b>	<b>SWSK32</b>	<b>SWSK32G</b>	6	2.0000 (50.800)	<sup>0</sup> / <sub>-0.0080</sub> (-20)	3.0000 (76.200)	<sup>0</sup> / <sub>-0.0115</sub> (-29)	4.0000 (101.600)
<b>SWK40</b>	-	-	-	6	2.5000 (63.500)	<sup>0</sup> / <sub>-0.0080</sub> (-20)	3.7500 (95.250)	<sup>0</sup> / <sub>-0.0115</sub> (-29)	5.0000 (127.000)
<b>SWK48</b>	-	-	-	6	3.0000 (76.200)	<sup>0</sup> / <sub>-0.0080</sub> (-20)	4.5000 (114.300)	<sup>0</sup> / <sub>-0.0115</sub> (-29)	6.0000 (152.400)
<b>SWK64</b>	-	-	-	6	4.0000 (101.600)	<sup>0</sup> / <sub>-0.0080</sub> (-20)	6.0000 (152.400)	<sup>0</sup> / <sub>-0.0115</sub> (-29)	8.0000 (203.200)

flange					eccentricity inch (μm)	perpendicularity inch (μm)	basic load rating		mass g	shaft diameter inch (mm)
Df	K	t	P.C.D.	X×Y×Z inch/(mm)			dynamic C N	static Co N		
1.2500 (31.750)	1.0000 (25.400)	.2187 (5.556)	.8750 (22.225)	.1560 x .2500 x .1410 (3.969 x 6.350 x 3.572)	.0005 (12)	.0005 (12)	206	265	25	1/4 (6.350)
1.5000 (38.100)	1.2500 (31.750)	.2500 (6.350)	1.0620 (26.988)	.1875 x .2970 x .1720 (4.763 x 7.541 x 4.366)			225	314	32	3/8 (9.525)
1.7500 (44.450)	1.3750 (34.925)	.2500 (6.350)	1.312 (33.338)	.1875 x .2970 x .1720 (4.763 x 7.541 x 4.366)			510	784	68	1/2 (12.700)
2.0000 (50.800)	1.5000 (38.100)	.2500 (6.350)	1.5620 (39.688)	.1875 x .2970 x .1720 (4.763 x 7.541 x 4.366)			774	1,180	124	5/8 (15.875)
2.1875 (55.563)	1.6875 (42.863)	.3125 (7.938)	1.7180 (43.660)	2.187 x .3440 x .2030 (5.556 x 8.731 x 5.159)	.0006 (15)	.0006 (15)	862	1,370	150	3/4 (19.050)
2.5000 (63.500)	2.0000 (50.800)	.3125 (7.938)	2.0310 (51.594)	2.187 x .3440 x .2030 (5.556 x 8.731 x 5.159)			980	1,570	280	1 (25.400)
3.1250 (79.375)	2.5000 (63.500)	.3750 (9.525)	2.5625 (65.088)	2.812 x .4060 x .2656 (7.144 x 10.319 x 6.747)			1,570	2,740	580	1-1/4 (31.750)
3.7500 (95.250)	3.0000 (76.200)	.5000 (12.700)	3.0625 (77.788)	3.440 x .5000 x .3280 (8.731 x 12.700 x 8.334)			2,180	4,020	930	1-1/2 (38.100)
4.3750 (111.125)	3.5000 (88.900)	.5000 (12.700)	3.6875 (93.662)	3.440 x .5000 x .3280 (8.731 x 12.700 x 8.334)	.0008 (20)	.0008 (20)	3,820	7,940	1,580	2 (50.800)
5.3750 (136.525)	4.3750 (111.125)	.7500 (19.050)	4.5625 (115.887)	.4062 x .6250 x .3750 (10.319 x 15.875 x 9.525)			4,700	10,000	3,200	2-1/2 (63.500)
6.1250 (155.575)	5.0000 (127.000)	.7500 (19.050)	5.3125 (134.937)	.4062 x .6250 x .3750 (10.319 x 15.875 x 9.525)			7,350	16,000	5,000	3 (76.200)
8.0000 (203.200)	6.7500 (171.450)	.8750 (22.225)	7.0000 (177.800)	.5000 x .7125 x .5000 (12.700 x 18.097 x 12.700)			.0012 (30)	.0012 (30)	14,100	34,800

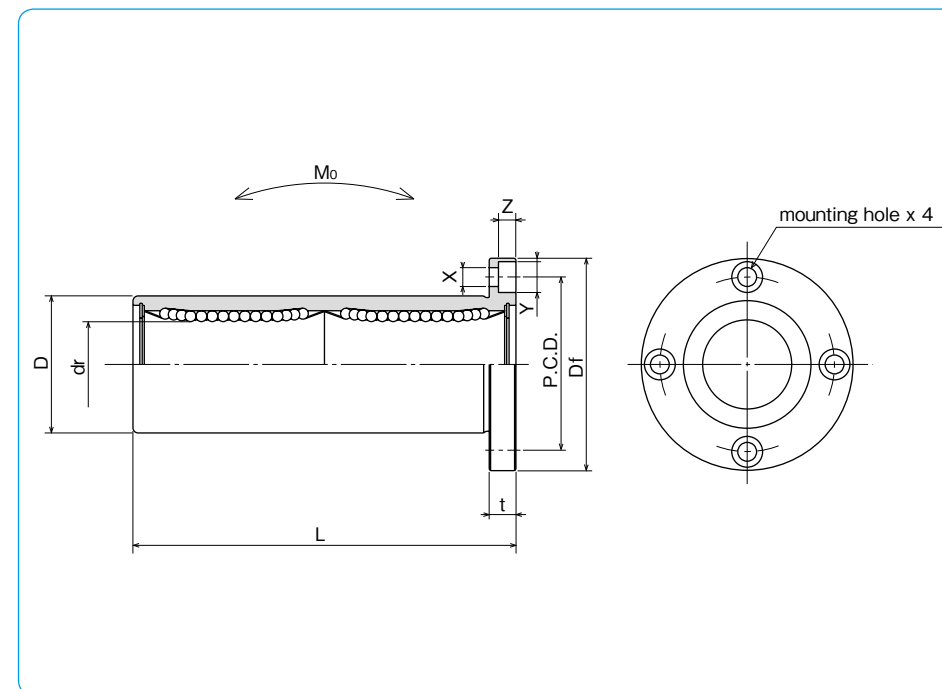
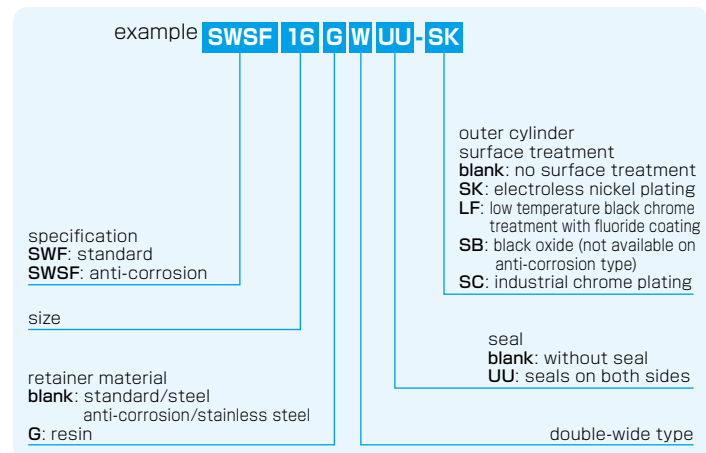
1N≒0.225lbf 1kg≒2.205lbf

# SWF-W TYPE (Inch Standard)

– Round Flange Double-Wide Type –



## part number structure



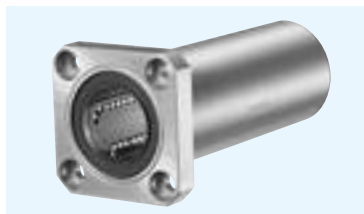
part number				number of ball circuits	major dimensions				
standard		anti-corrosion			dr		D		L
steel retainer	resin retainer	stainless retainer	resin retainer		inch (mm)	tolerance inch/(μm)	inch (mm)	tolerance inch/(μm)	±.012 (±0.3) inch/(mm)
SWF 4W	SWF 4GW	SWSF 4W	SWSF 4GW	4	.2500 (6.350)		.5000 (12.700)	<sup>0</sup> <sub>-.00050 (-13)</sub>	1.3750 (34.925)
SWF 6W	SWF 6GW	SWSF 6W	SWSF 6GW	4	.3750 (9.525)	<sup>0</sup> <sub>-.00040 (-10)</sub>	.6250 (15.875)	<sup>0</sup> <sub>-.00065 (-16)</sub>	1.5938 (40.481)
SWF 8W	SWF 8GW	SWSF 8W	SWSF 8GW	4	.5000 (12.700)		.8750 (22.225)	<sup>0</sup> <sub>-.00065 (-16)</sub>	2.3750 (60.325)
SWF10W	SWF10GW	SWSF10W	SWSF10GW	4	.6250 (15.875)		1.1250 (28.575)	<sup>0</sup> <sub>-.00075 (-19)</sub>	2.8125 (71.438)
SWF12W	SWF12GW	SWSF12W	SWSF12GW	5	.7500 (19.050)	<sup>0</sup> <sub>-.00050 (-12)</sub>	1.2500 (31.750)	<sup>0</sup> <sub>-.00075 (-19)</sub>	3.0937 (78.581)
SWF16W	SWF16GW	SWSF16W	SWSF16GW	6	1.0000 (25.400)		1.5625 (39.688)	<sup>0</sup> <sub>-.00090 (-22)</sub>	4.2813 (108.744)
SWF20W	SWF20GW	SWSF20W	SWSF20GW	6	1.2500 (31.750)	<sup>0</sup> <sub>-.00060 (-15)</sub>	2.0000 (50.800)	<sup>0</sup> <sub>-.00100 (-25)</sub>	5.0000 (127.000)
SWF24W	SWF24GW	SWSF24W	SWSF24GW	6	1.5000 (38.100)		2.3750 (60.325)	<sup>0</sup> <sub>-.00100 (-25)</sub>	5.6875 (144.463)
SWF32W	SWF32GW	SWSF32W	SWSF32GW	6	2.0000 (50.800)		3.0000 (76.200)	<sup>0</sup> <sub>-.00100 (-25)</sub>	7.7500 (196.850)

flange				eccentricity inch (μm)	perpendicularity inch (μm)	basic load rating		allowable static moment Mo N·m	mass g	shaft diameter inch (mm)
Df inch/(mm)	t inch/(mm)	P.C.D. inch/(mm)	X×Y×Z inch/(mm)			dynamic C N	static Co N			
1.2500 (31.750)	.2187 (5.556)	.8750 (22.225)	.1563×.2500×.1406 (3.969×6.350×3.572)	.0006 (15)	.0006 (15)	323	530	2.0	40	1/4 (6.350)
1.5000 (38.100)	.2500 (6.350)	1.0625 (26.988)	.1875×.2969×.1719 (4.763×7.541×4.366)			353	630	2.7	60	3/8 (9.525)
1.7500 (44.450)	.2500 (6.350)	1.3125 (33.338)	.1875×.2969×.1719 (4.763×7.541×4.366)			813	1,570	11.5	126	1/2 (12.700)
2.0000 (50.800)	.2500 (6.350)	1.5625 (39.688)	.1875×.2969×.1719 (4.763×7.541×4.366)			1,230	2,350	20.0	215	5/8 (15.875)
2.1875 (55.563)	.3125 (7.938)	1.7188 (43.656)	.2188×.3438×.2031 (5.556×8.731×5.159)	.0008 (20)	.0008 (20)	1,370	2,740	26.5	280	3/4 (19.050)
2.5000 (63.500)	.3125 (7.938)	2.0313 (51.594)	.2188×.3438×.2031 (5.556×8.731×5.159)			1,570	3,140	41.2	515	1 (25.400)
3.1250 (79.375)	.3750 (9.525)	2.5625 (65.088)	.2813×.4063×.2656 (7.144×10.319×6.747)	.0010 (25)	.0010 (25)	2,500	5,490	84.8	1,020	1-1/4 (31.750)
3.7500 (95.250)	.5000 (12.700)	3.0625 (77.788)	.3437×.5000×.3281 (8.731×12.700×8.334)			3,430	8,040	143	1,630	1-1/2 (38.100)
4.3750 (111.125)	.5000 (12.700)	3.6875 (93.662)	.3437×.5000×.3281 (8.731×12.700×8.334)	.0012 (30)	.0012 (30)	6,080	15,900	399	2,800	2 (50.800)

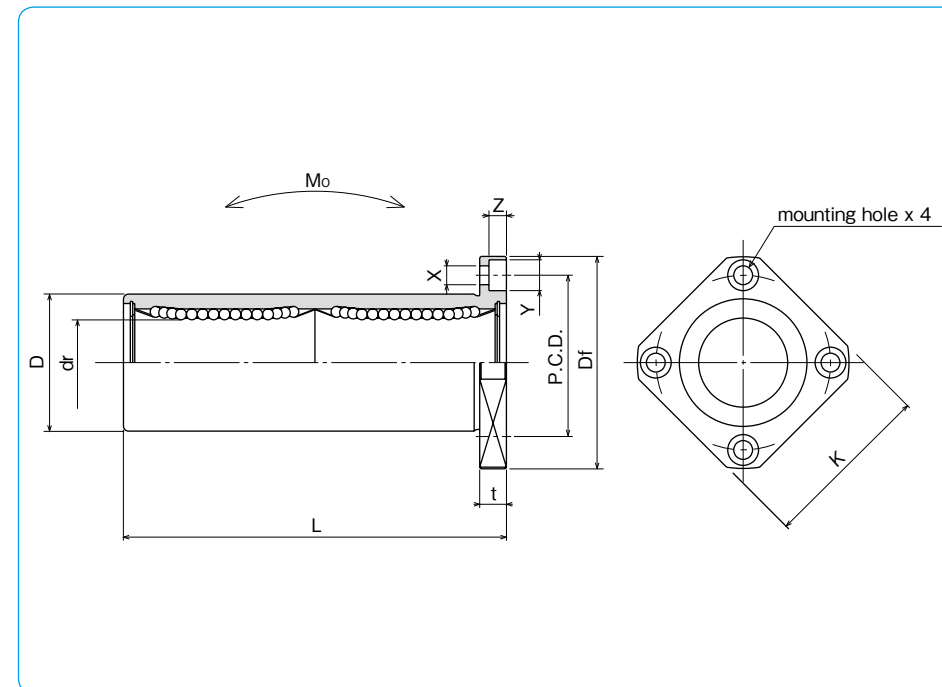
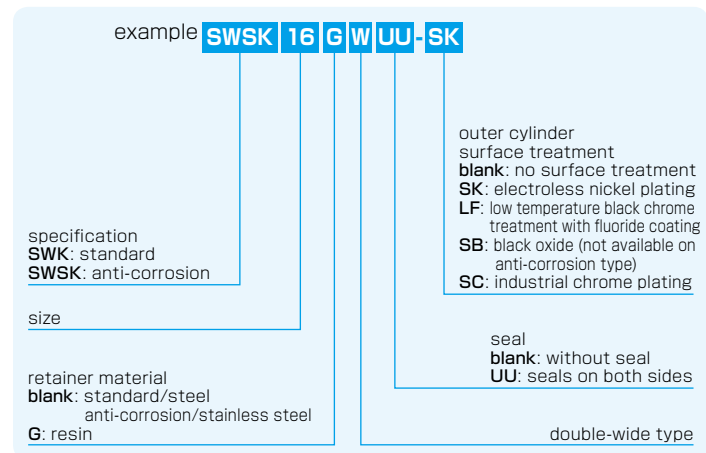
1N≒0.225lbf 1N·m≒0.738lb·ft  
1kg≒2.205lbs

# SWK-W TYPE (Inch Standard)

– Square Flange Double-Wide Type –



## part number structure



part number				number of ball circuits	major dimensions					
standard		anti-corrosion			dr		D		L ±.012 (±0.3) inch/(mm)	
steel retainer	resin retainer	stainless retainer	resin retainer		inch (mm)	tolerance inch/(μm)	inch (mm)	tolerance inch/(μm)		
SWK 4W	SWK 4GW	SWSK 4W	SWSK 4GW	4	.2500 (6.350)		.5000 (12.700)	-.00050 (-13)	1.3750 (34.925)	
SWK 6W	SWK 6GW	SWSK 6W	SWSK 6GW	4	.3750 (9.525)	0 (-10)	.6250 (15.875)	0	1.5938 (40.481)	
SWK 8W	SWK 8GW	SWSK 8W	SWSK 8GW	4	.5000 (12.700)		.8750 (22.225)	-.00065 (-16)	2.3750 (60.325)	
SWK 10W	SWK 10GW	SWSK 10W	SWSK 10GW	4	.6250 (15.875)		1.1250 (28.575)		2.8125 (71.438)	
SWK 12W	SWK 12GW	SWSK 12W	SWSK 12GW	5	.7500 (19.050)	0 (-12)	1.2500 (31.750)	-.00075 (-19)	3.0937 (78.581)	
SWK 16W	SWK 16GW	SWSK 16W	SWSK 16GW	6	1.0000 (25.400)		1.5625 (39.688)		4.2813 (108.744)	
SWK 20W	SWK 20GW	SWSK 20W	SWSK 20GW	6	1.2500 (31.750)	0	2.0000 (50.800)	-.00090 (-22)	5.0000 (127.000)	
SWK 24W	SWK 24GW	SWSK 24W	SWSK 24GW	6	1.5000 (38.100)	0 (-15)	2.3750 (60.325)		5.6875 (144.463)	
SWK 32W	SWK 32GW	SWSK 32W	SWSK 32GW	6	2.0000 (50.800)		3.0000 (76.200)	-.00100 (-25)	7.7500 (196.850)	

flange					eccentricity inch (μm)	perpendicularity inch (μm)	basic load rating		allowable static moment Mo N·m	mass g	shaft diameter inch/(mm)
Df	K	t	P.C.D.	X×Y×Z			C	Co			
1.2500 (31.750)	1.0000 (25.400)	.2188 (5.556)	.8750 (22.225)	.1563×.2500×.1406 (3.969×6.350×3.572)	.0006 (15)	.0006 (15)	323	530	2.0	33	1/4 (6.350)
1.5000 (38.100)	1.2500 (31.750)	.2500 (6.350)	1.0625 (26.988)	.1875×.2969×.1719 (4.763×7.541×4.366)			353	630	2.7	45	3/8 (9.525)
1.7500 (44.450)	1.3750 (34.925)	.2500 (6.350)	1.3125 (33.338)	.1875×.2969×.1719 (4.763×7.541×4.366)			813	1,570	11.5	106	1/2 (12.700)
2.0000 (50.800)	1.5000 (38.100)	.2500 (6.350)	1.5625 (39.688)	.1875×.2969×.1719 (4.763×7.541×4.366)			1,230	2,350	20.0	200	5/8 (15.875)
2.1875 (55.563)	1.6875 (42.863)	.3125 (7.938)	1.7188 (43.656)	.2188×.3438×.2031 (5.556×8.731×5.159)	.0008 (20)	.0008 (20)	1,370	2,740	26.5	240	3/4 (19.050)
2.5000 (63.500)	2.0000 (50.800)	.3125 (7.938)	2.0313 (51.594)	.2188×.3438×.2031 (5.556×8.731×5.159)			1,570	3,140	41.2	470	1 (25.400)
3.1250 (79.375)	2.5000 (63.500)	.3750 (9.525)	2.5625 (65.088)	.2813×.4063×.2656 (7.144×10.319×6.747)			2,500	5,490	84.8	935	1-1/4 (31.750)
3.7500 (95.250)	3.0000 (76.200)	.5000 (12.700)	3.0625 (77.788)	.3437×.5000×.3281 (8.731×12.700×8.334)			3,430	8,040	143	1,460	1-1/2 (38.100)
4.3750 (111.125)	3.5000 (88.900)	.5000 (12.700)	3.6875 (93.662)	.3437×.5000×.3281 (8.731×12.700×8.334)	.0012 (30)	.0012 (30)	6,080	15,900	399	2,620	2 (50.800)

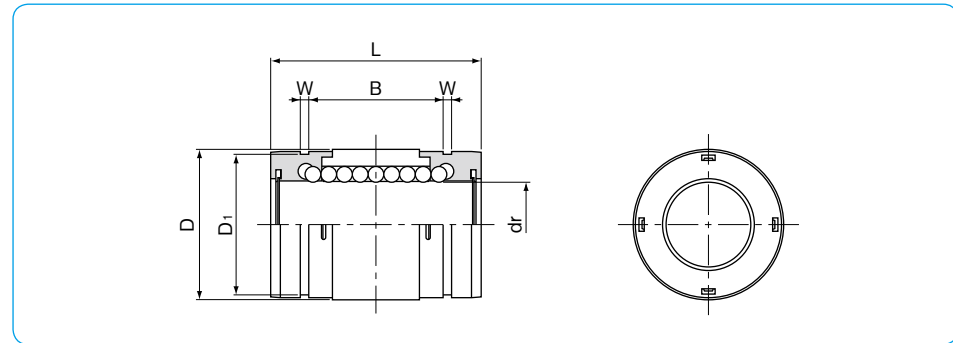
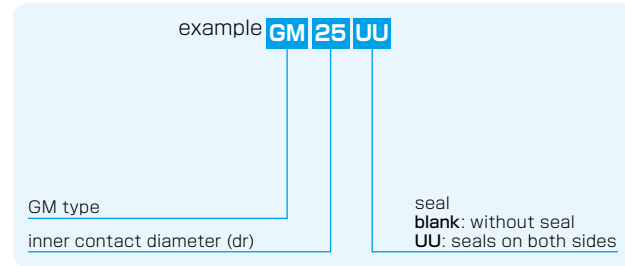
1N≒0.225lbf 1N·m≒0.738lb·ft  
1kg≒2.205lbs

# GM TYPE

– Single Type –



## part number structure

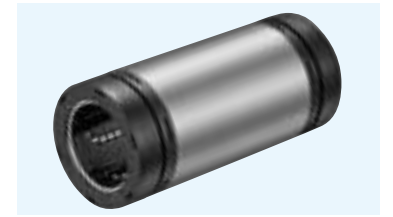


part number	number of ball circuits	dr mm	major dimensions						basic load rating dynamic C N	static Co N	mass g			
			tolerance $\mu\text{m}$	D mm	tolerance $\mu\text{m}$	L mm	B mm	W mm				D <sub>1</sub> mm		
GM 6	4	6	0	12	0	19	11.3	1.1	11.5	206	265	5		
GM 8	4	8		15	-11	24	15.3	1.1	14.3	274	392	10		
GM10	4	10		19	-9	29	19.4	1.3	18	372	549	18		
GM12	4	12		21		0	30	20.4	1.3	20	510	784	23	
GM13	4	13		23		-13	32	20.4	1.3	22	510	784	27	
GM16	4	16		28		-10	37	23.3	1.6	27	774	1,180	45	
GM20	6	20		32			0	42	27.3	1.6	30.5	882	1,370	70
GM25	6	25		40			0	59	37.3	1.85	38	980	1,570	150
GM30	6	30		45			-16	64	40.8	1.85	43	1,570	2,740	180

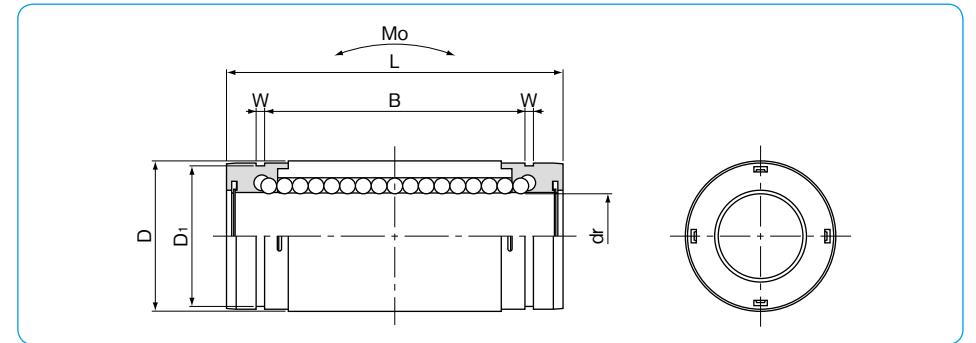
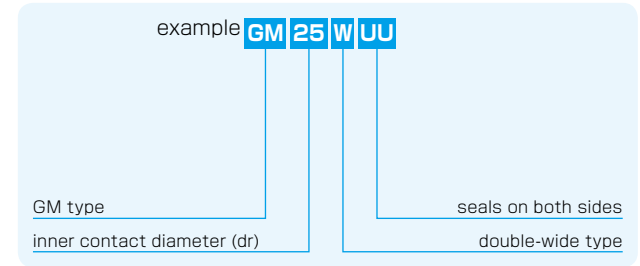
GM-AJ type (clearance adjustable type) is also manufactured. Please contact NB for details. 1N≐0.102kgf

# GM-W TYPE

– Double-Wide Type –



## part number structure



part number	number of ball circuits	dr mm	tolerance $\mu\text{m}$	major dimensions						basic load rating dynamic C N	static Co N	allowable static moment Mo N·m	mass g		
				D mm	tolerance $\mu\text{m}$	L mm	B mm	W mm	D <sub>1</sub> mm						
GM 6W UU	4	6	0	12	0	28	20.3	1.1	11.5	323	530	1.5	9		
GM 8W UU	4	8		15	-13	36	27.3	1.1	14.3	431	784	3.3	18		
GM10W UU	4	10		19	-10	41	31.4	1.3	18	588	1,100	5.0	31		
GM12W UU	4	12		21		0	46	36.4	1.3	20	813	1,570	7.6	42	
GM13W UU	4	13		23		-16	48	36.4	1.3	22	813	1,570	8.1	50	
GM16W UU	4	16		28		-12	53	39.3	1.6	27	1,230	2,350	13.8	76	
GM20W UU	6	20		32			0	65	50.3	1.6	30.5	1,400	2,740	20.0	130
GM25W UU	6	25		40			0	91	69.3	1.85	38	1,560	3,140	34.8	280
GM30W UU	6	30		45			-19	99	75.8	1.85	43	2,490	5,490	57.5	334

\*UU type is standard. 1N≐0.102kgf 1N·m≐0.102kgf·m

SLIDE BUSH

# GW TYPE (Inch Standard)

– Single Type –



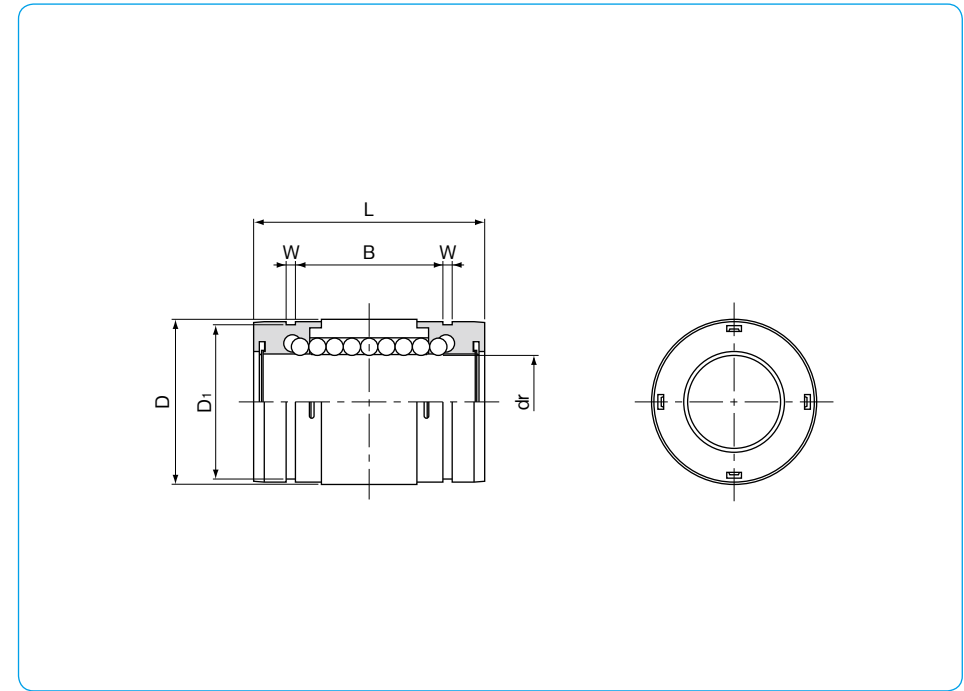
## part number structure

example **GW 16 UU**

GW type

size

seal  
**blank**: without seal  
**UU**: seals on both sides



part number	number of ball circuits	major dimensions				
		dr		D		L
		inch/(mm)	tolerance inch/( $\mu$ m)	inch/(mm)	tolerance inch/( $\mu$ m)	inch/(mm)
<b>GW 4</b>	4	.2500 (6.350)	0 -0.00040 (-10)	.5000 (12.700)	0 -0.00045 (-11)	.7500 (19.050)
<b>GW 6</b>	4	.3750 (9.525)		.6250 (15.875)	0 -0.00050 (-13)	.8750 (22.225)
<b>GW 8</b>	4	.5000 (12.700)		.8750 (22.225)		1.2500 (31.750)
<b>GW10</b>	4	.6250 (15.875)		1.1250 (28.575)	1.5000 (38.100)	
<b>GW12</b>	6	.7500 (19.050)		1.2500 (31.750)	0 -0.00065 (-16)	1.6250 (41.275)
<b>GW16</b>	6	1.0000 (25.400)		1.5625 (39.688)	2.2500 (57.150)	
<b>GW20</b>	6	1.2500 (31.750)		2.0000 (50.800)	0 -0.00075 (-19)	2.6250 (66.675)

			basic load rating		mass g
B	W	D <sub>1</sub>	dynamic C N	static C <sub>0</sub> N	
inch/(mm)	inch/(mm)	inch/(mm)			
.4329 (10.996)	.0390 (0.992)	.4687 (11.906)	206	265	5.4
.5577 (14.166)	.0390 (0.992)	.5880 (14.935)	225	314	7.8
.8710 (22.123)	.0459 (1.168)	.8209 (20.853)	510	784	26
.9920 (25.197)	.0559 (1.422)	1.0590 (26.899)	774	1,180	51
1.0538 (26.767)	.0559 (1.422)	1.1760 (29.870)	862	1,370	72
1.6187 (41.115)	.0679 (1.727)	1.4687 (37.306)	980	1,570	138
1.8687 (47.465)	.0679 (1.727)	1.8859 (47.904)	1,570	2,740	269

1N≒0.225lbf 1kg≒2.205lbs

# SMA TYPE

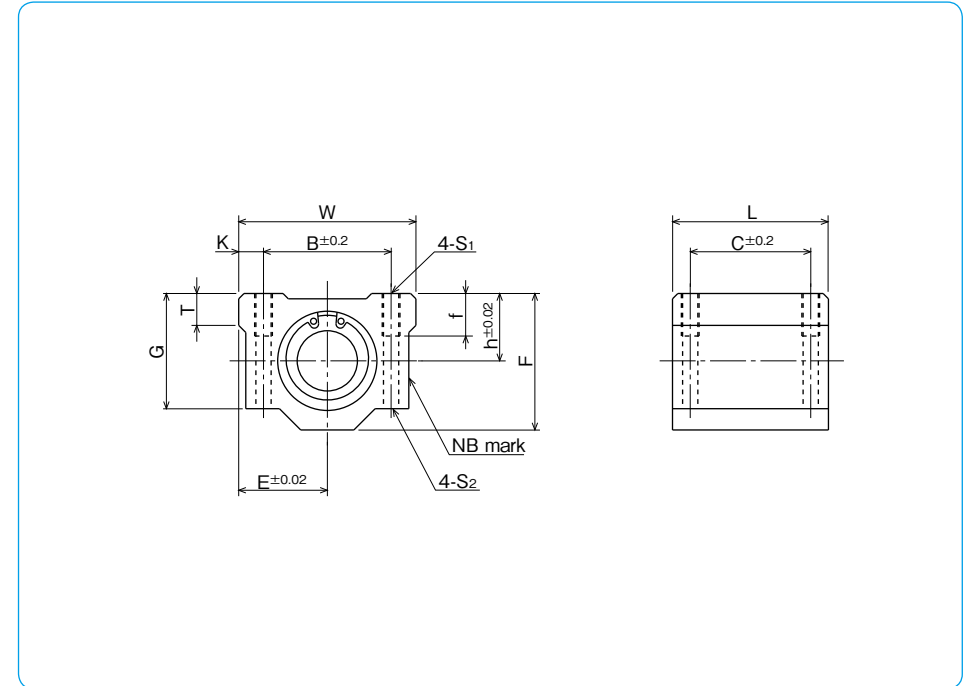
– Block Type –



## part number structure

example **SMSA 25 G UU**

specification SMA: standard SMSA: anti-corrosion	inner contact diameter	retainer material blank: standard/steel anti-corrosion/stainless steel G: resin	seal blank: without seal UU: seals on both sides
--	------------------------	--	--



part number	inner contact diameter		outer dimensions							major dimensions	
	mm	tolerance μm	h mm	E mm	W mm	L mm	F mm	G mm	T mm		
SMA 3GUU	3		5	8	16	13	10	8	—		
SMA 4GUU	4	0	5.5	8.5	17	15	11	9	—		
SMA 5GUU	5	- 8	7	11	22	18	14	11	—		
SMA 6GUU	6		9	15	30	25	18	15	6		
SMA 8GUU	8		11	17	34	30	22	18	6		
SMA 10GUU	10	0	13	20	40	35	26	21	8		
SMA 12GUU	12	- 9	15	21	42	36	28	24	8		
SMA 13GUU	13		15	22	44	39	30	24.5	8		
SMA 16GUU	16		19	25	50	44	38.5	32.5	9		
SMA 20GUU	20	0	21	27	54	50	41	35	11		
SMA 25GUU	25	-10	26	38	76	67	51.5	42	12		
SMA 30GUU	30		30	39	78	72	59.5	49	15		
SMA 35GUU	35	0	34	45	90	80	68	54	18		
SMA 40GUU	40	-12	40	51	102	90	78	62	20		
SMA 50GUU	50		52	61	122	110	102	80	25		
SMA 60GUU	60	0/-15	58	66	132	122	114	94	30		

mounting dimensions						basic load rating		* mass g	shaft diameter mm
B mm	C mm	K mm	S <sub>1</sub>	f mm	S <sub>2</sub> mm	dynamic C N	static Co N		
11	8	2.5	M2	—	—	69	105	5	3
12	10	2.5	M3	—	—	88	127	7	4
16	12	3	M3	—	—	167	206	14	5
20	15	5	M4	8	3.4	206	265	34	6
24	18	5	M4	8	3.4	274	392	52	8
28	21	6	M5	12	4.3	372	549	92	10
30.5	26	5.75	M5	12	4.3	510	784	102	12
33	26	5.5	M5	12	4.3	510	784	120	13
36	34	7	M5	12	4.3	774	1,180	200	16
40	40	7	M6	12	5.2	882	1,370	255	20
54	50	11	M8	18	7	980	1,570	600	25
58	58	10	M8	18	7	1,570	2,740	735	30
70	60	10	M8	18	7	1,670	3,140	1,100	35
80	60	11	M10	25	8.7	2,160	4,020	1,590	40
100	80	11	M10	25	8.7	3,820	7,940	3,340	50
108	90	12	M12	25	10.7	4,700	10,000	4,270	60

\* Mass of resin retainer type

1N≒0.102kgf

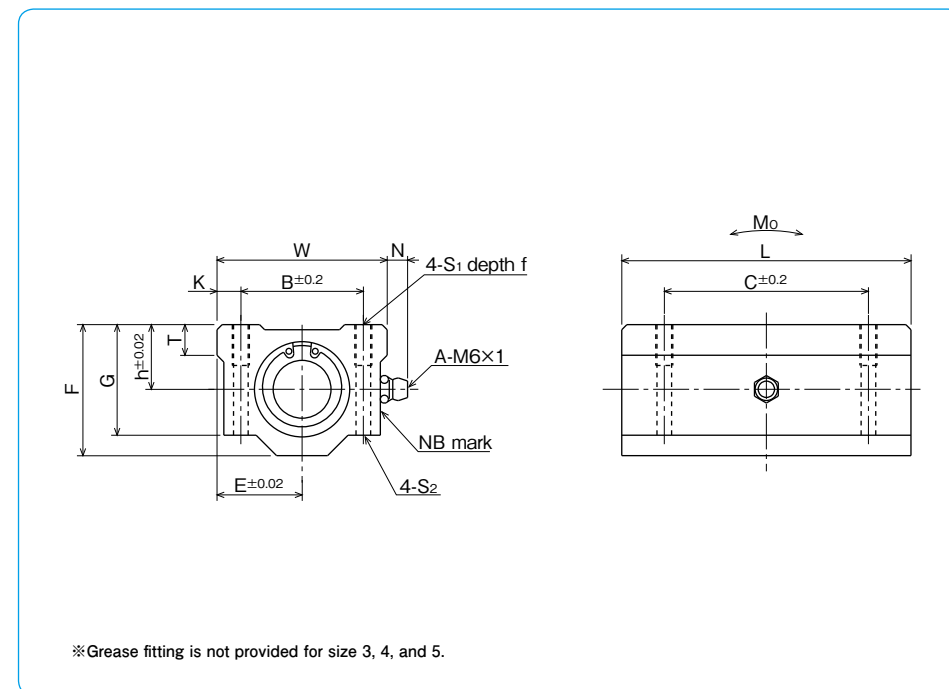
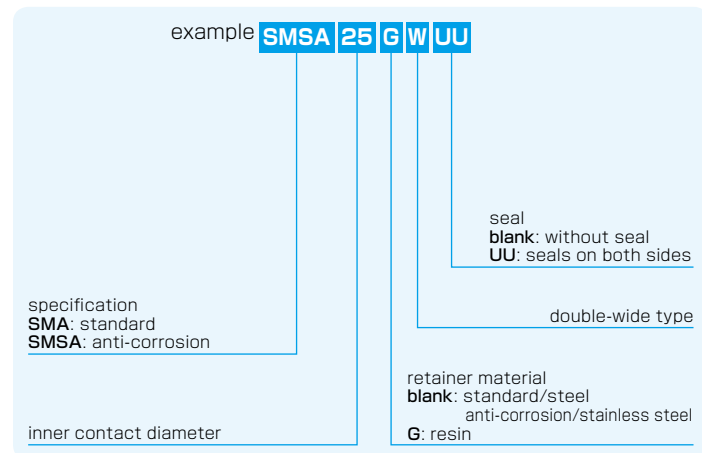


# SMA-W TYPE

– Double-Wide Block Type –



## part number structure



part number	inner contact diameter		major dimensions							
	mm	tolerance μm	h mm	E mm	W mm	L mm	F mm	G mm	T mm	N mm
SMA 3GWUU	3	0 - 8	5	8	16	23	10	8	—	—
SMA 4GWUU	4		5.5	8.5	17	27	11	9	—	—
SMA 5GWUU	5		7	11	22	33	14	11	—	—
SMA 6GWUU	6	0 - 9	9	15	30	48	18	15	6	7
SMA 8GWUU	8		11	17	34	58	22	18	6	7
SMA 10GWUU	10		13	20	40	68	26	21	8	7
SMA 12GWUU	12		15	21	42	70	28	24	8	6.5
SMA 13GWUU	13		15	22	44	75	30	24.5	8	6.5
SMA 16GWUU	16		19	25	50	85	38.5	32.5	9	6
SMA 20GWUU	20	0 - 10	21	27	54	96	41	35	11	7
SMA 25GWUU	25		26	38	76	130	51.5	42	12	4
SMA 30GWUU	30		30	39	78	140	59.5	49	15	5
SMA 35GWUU	35	0 - 12	34	45	90	155	68	54	18	5.5
SMA 40GWUU	40		40	51	102	175	78	62	20	5
SMA 50GWUU	50		52	61	122	215	102	80	25	5
SMA 60GWUU	60	0/-15	58	66	132	240	114	94	30	5

mounting dimensions						basic load rating		allowable static moment Mo N·m	※ mass g	shaft diameter mm
B mm	C mm	K mm	S <sub>1</sub>	f mm	S <sub>2</sub> mm	dynamic C N	static Co N			
11	16	2.5	M2	—	—	108	206	0.49	10	3
12	20	2.5	M3	—	—	137	255	0.72	13	4
16	25	3	M3	—	—	265	412	1.54	27	5
20	36	5	M4	8	3.4	323	530	2.18	63	6
24	42	5	M4	8	3.4	431	784	4.31	102	8
28	46	6	M5	12	4.3	588	1,100	7.24	180	10
30.5	50	5.75	M5	12	4.3	813	1,570	10.9	205	12
33	50	5.5	M5	12	4.3	813	1,570	11.6	240	13
36	60	7	M5	12	4.3	1,230	2,350	19.7	400	16
40	70	7	M6	12	5.2	1,400	2,740	26.8	570	20
54	100	11	M8	18	7	1,560	3,140	43.4	1,200	25
58	110	10	M8	18	7	2,490	5,490	82.8	1,480	30
70	120	10	M8	18	7	2,650	6,270	110	2,200	35
80	140	11	M10	25	8.7	3,430	8,040	147	3,200	40
100	160	11	M10	25	8.7	6,080	15,900	397	6,700	50
108	180	12	M12	25	10.7	7,550	20,000	530	8,560	60

\* Mass of resin retainer type

1N≒0.102kgf 1N·m≒0.102kgf·m

# AK TYPE

– Compact Block Type –



## part number structure

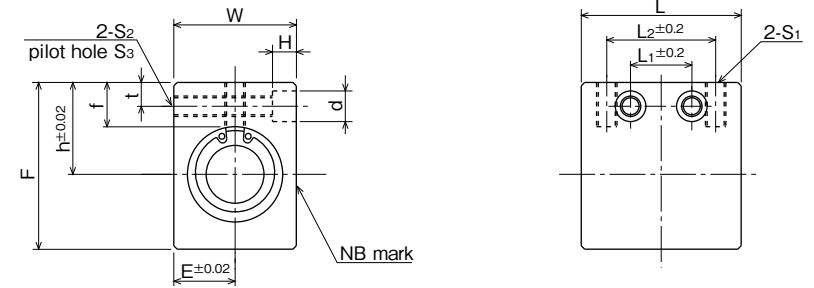
example **AKS25G UU**

specification  
**AK**: standard  
**AKS**: anti-corrosion

seal  
**blank**: without seal  
**UU**: seals on both sides

retainer material  
**blank**: standard/steel  
 anti-corrosion/stainless steel  
**G**: resin

inner contact diameter



part number	inner contact diameter		outer dimensions							major dimensions	
	mm	tolerance μm	h mm	E mm	W mm	F mm	L mm	L <sub>2</sub> mm	S <sub>1</sub>		
<b>AK 6GUU</b>	6	0 - 9	14	8	16	22	27	18	M4		
<b>AK 8GUU</b>	8		16	10	20	26	32	20	M5		
<b>AK 10GUU</b>	10		19	13	26	32	39	27	M6		
<b>AK 12GUU</b>	12		20	14	28	34	40	27	M6		
<b>AK 13GUU</b>	13		25	15	30	43	42	28	M6		
<b>AK 16GUU</b>	16		27	18	36	49	47	32	M6		
<b>AK 20GUU</b>	20	0 - 10	31	21	42	54	52	36	M8		
<b>AK 25GUU</b>	25		37	26	52	65	69	42	M10		
<b>AK 30GUU</b>	30		40	29	58	71	74	44	M10		

f mm	mounting dimensions						basic load rating		* mass g	shaft diameter mm
	L <sub>1</sub> mm	t mm	S <sub>2</sub>	S <sub>3</sub> mm	d mm	H mm	dynamic C N	static C <sub>0</sub> N		
8	9	5	M4	3.5	6	5	206	265	21.5	6
8.5	10	5	M4	3.5	6	5	274	392	40	8
9.5	15	6	M5	4.5	8	6	372	549	80	10
9.5	15	6	M5	4.5	8	6	510	784	90	12
13.5	16	7	M6	5.2	9	7	510	784	132	13
13	18	7	M6	5.2	9	7	774	1,180	204	16
15	18	8	M8	7	11	8	882	1,370	272	20
17	22	9	M10	8.9	14	10	980	1,570	574	25
17.5	22	9	M10	8.9	14	10	1,570	2,740	710	30

\* Mass of resin retainer type

1N≒0.102kgf

# AK-W TYPE

– Double-Wide Compact Block Type –



## part number structure

example **AKS25GWUU**

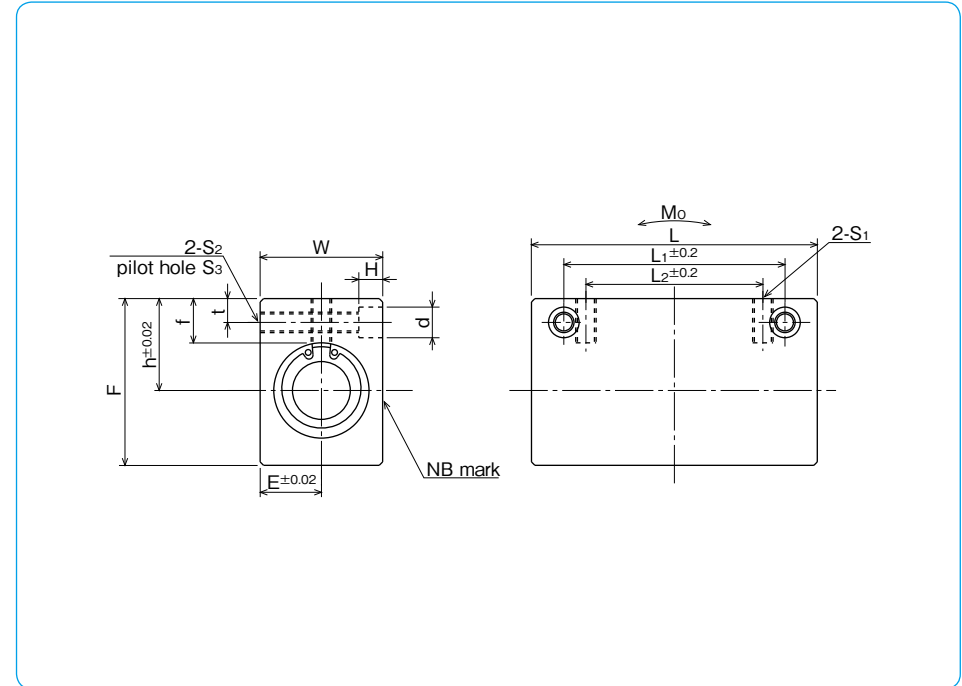
specification  
**AK**: standard  
**AKS**: anti-corrosion

inner contact diameter

retainer material  
**blank**: standard/steel  
 anti-corrosion/stainless steel  
**G**: resin

seal  
**blank**: without seal  
**UU**: seals on both sides

double-wide type



part number	inner contact diameter		outer dimensions					major dimensions		
	mm	tolerance μm	h mm	E mm	W mm	F mm	L mm	L <sub>2</sub> mm	S <sub>1</sub>	
<b>AK 6GWUU</b>	6	0 - 9	14	8	16	22	46	20	M4	
<b>AK 8GWUU</b>	8		16	10	20	26	56	30	M5	
<b>AK10GWUU</b>	10		19	13	26	32	68	36	M6	
<b>AK12GWUU</b>	12		20	14	28	34	70	36	M6	
<b>AK13GWUU</b>	13		25	15	30	43	74	42	M6	
<b>AK16GWUU</b>	16		27	18	36	49	84	52	M6	
<b>AK20GWUU</b>	20	0 -10	31	21	42	54	94	58	M8	
<b>AK25GWUU</b>	25		37	26	52	65	128	80	M10	
<b>AK30GWUU</b>	30		40	29	58	71	138	90	M10	

f mm	mounting dimensions						basic load rating		allowable static moment Mo N·m	** mass g	shaft diameter mm
	L <sub>1</sub> mm	t mm	S <sub>2</sub>	S <sub>3</sub> mm	d mm	H mm	dynamic C N	static Co N			
8	30	5	M4	3.5	6	5	323	530	2.18	40	6
8.5	42	5	M4	3.5	6	5	431	784	4.31	75	8
9.5	50	6	M5	4.5	8	6	588	1,100	7.24	150	10
9.5	50	6	M5	4.5	8	6	813	1,570	10.9	168	12
13.5	55	7	M6	5.2	9	7	813	1,570	11.6	248	13
13	65	7	M6	5.2	9	7	1,230	2,350	19.7	383	16
15	70	8	M8	7	11	8	1,400	2,740	26.8	520	20
17	100	9	M10	8.9	14	10	1,560	3,140	43.4	1,120	25
17.5	110	9	M10	8.9	14	10	2,490	5,490	82.8	1,384	30

\* Mass of resin retainer type

1N ≙ 0.102kgf 1N · m ≙ 0.102kgf · m

# SMP TYPE

– Pillow Block Type –



## part number structure

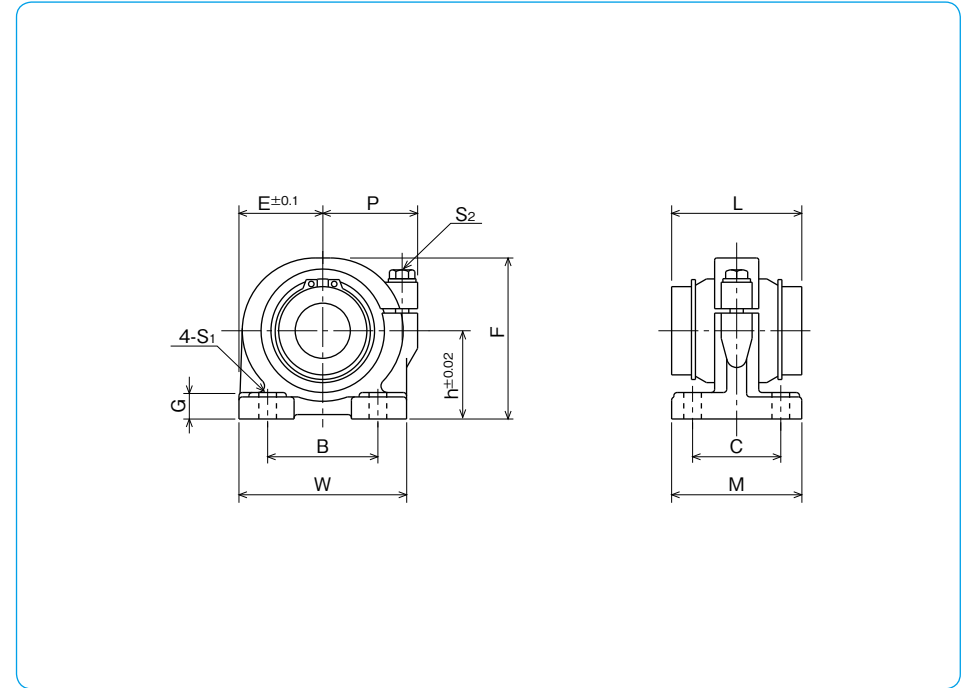
example **SMP 25 G UU**

SMP type

inner contact diameter

seal  
blank: without seal  
UU: seals on both sides

retainer material  
blank: steel  
G: resin



part number	inner contact diameter		outer dimensions							major dimensions	
	mm	tolerance	h mm	E mm	W mm	L mm	F mm	G mm	M mm		
		μm									
<b>SMP13GUU</b>	13	0	25	25	50	32	46	8	36		
<b>SMP16GUU</b>	16	- 9	29	27.5	55	37	53	10	40		
<b>SMP20GUU</b>	20	0	34	32.5	65	42	62	12	48		
<b>SMP25GUU</b>	25	-10	40	38	76	59	73	12	59		
<b>SMP30GUU</b>	30	0	45	42.5	85	64	84	15	69		
<b>SMP35GUU</b>	35	-12	50	49	98	70	94	15	76		
<b>SMP40GUU</b>	40	0	60	62	124	80	112	18	86		
<b>SMP50GUU</b>	50	-12	70	72	144	100	134	20	105		
<b>SMP60GUU</b>	60	0/-15	82	84.5	169	110	154	23	115		

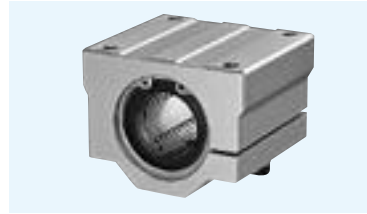
P mm	mounting dimensions			adjustment screw size S <sub>2</sub>	basic load rating		* mass g	shaft diameter mm
	B mm	C mm	S <sub>1</sub> mm		dynamic C N	static C <sub>0</sub> N		
30	30	26	7 (M5)	M5	510	784	270	13
32	35	29	7 (M5)	M5	774	1,180	380	16
37	40	35	8 (M6)	M6	882	1,370	680	20
43	50	40	8 (M6)	M6	980	1,570	1,000	25
49	58	46	10 (M8)	M8	1,570	2,740	1,400	30
58	62	53	12 (M10)	M10	1,670	3,140	2,100	35
68	76	64	12 (M10)	M10	2,160	4,020	3,700	40
80	100	70	14 (M12)	M12	3,820	7,940	6,100	50
88	115	80	14 (M12)	M12	4,700	10,000	8,700	60

\* Mass of resin retainer type

1N≒0.102kgf

# SMJ TYPE

– Clearance Adjustable Type –



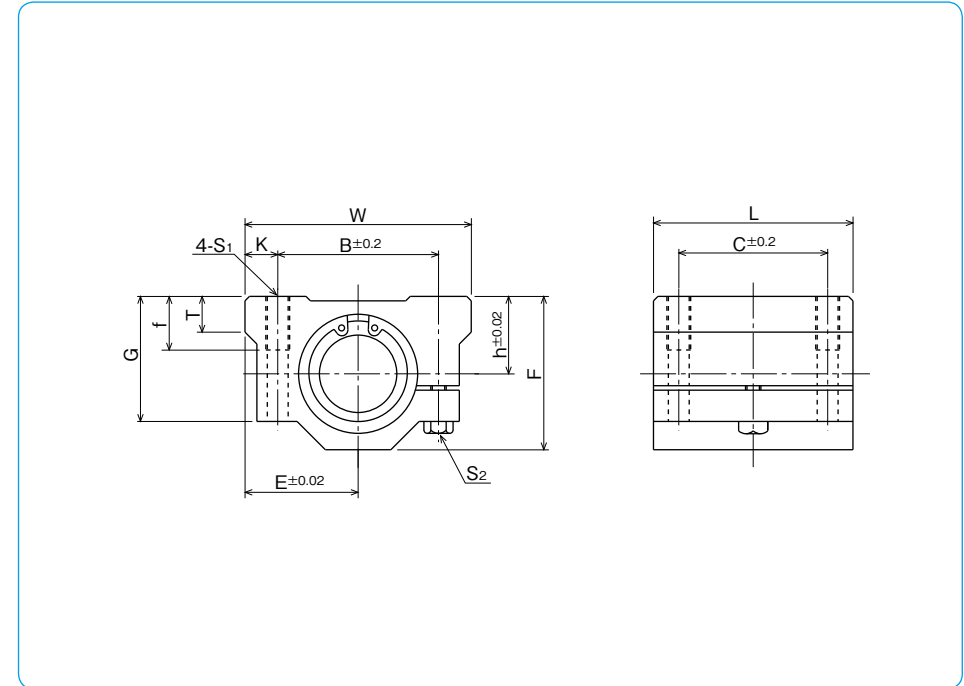
## part number structure

example **SMSJ 25 G UU**

specification	<b>SMSJ</b>	inner contact diameter	<b>25</b>	retainer material	<b>G</b>	seal	<b>UU</b>
				<b>blank</b> : standard/steel*		<b>blank</b> : without seal	
				anti-corrosion/stainless steel*		<b>UU</b> : seals on both sides	
				<b>G</b> : resin			

\*Size 10 is provided with resin retainer type only.

part number	inner contact diameter mm	major dimensions							
		h mm	E mm	outer dimensions			G mm	T mm	B mm
				W mm	L mm	F mm			
SMJ10GUU	10	13	20	40	35	26	21	8	28
SMJ12GUU	12	15	21	42	36	28	24	8	30.5
SMJ13GUU	13	15	22	44	39	30	24.5	8	33
SMJ16GUU	16	19	25	50	44	38.5	32.5	9	36
SMJ20GUU	20	21	27	54	50	41	35	11	40
SMJ25GUU	25	26	38	76	67	51.5	42	12	54
SMJ30GUU	30	30	39	78	72	59.5	49	15	58
SMJ35GUU	35	34	45	90	80	68	54	18	70
SMJ40GUU	40	40	51	102	90	78	62	20	80
SMJ50GUU	50	52	61	122	110	102	80	25	100
SMJ60GUU	60	58	66	132	122	114	94	30	108



mounting dimensions				adjustment screw size S <sub>2</sub>	basic load rating		* mass g	shaft diameter mm
C mm	K mm	S <sub>1</sub>	f mm		dynamic C N	static C <sub>0</sub> N		
21	6	M5	12	M4	372	549	92	10
26	5.75	M5	12	M4	510	784	102	12
26	5.5	M5	12	M4	510	784	120	13
34	7	M5	12	M4	774	1,180	200	16
40	7	M6	12	M5	882	1,370	255	20
50	11	M8	18	M6	980	1,570	600	25
58	10	M8	18	M6	1,570	2,740	735	30
60	10	M8	18	M6	1,670	3,140	1,100	35
60	11	M10	25	M8	2,160	4,020	1,590	40
80	11	M10	25	M8	3,820	7,940	3,340	50
90	12	M12	25	M10	4,700	10,000	4,270	60

\* Mass of resin retainer type

1N≒0.102kgf

# SME TYPE

– Open Block Type –



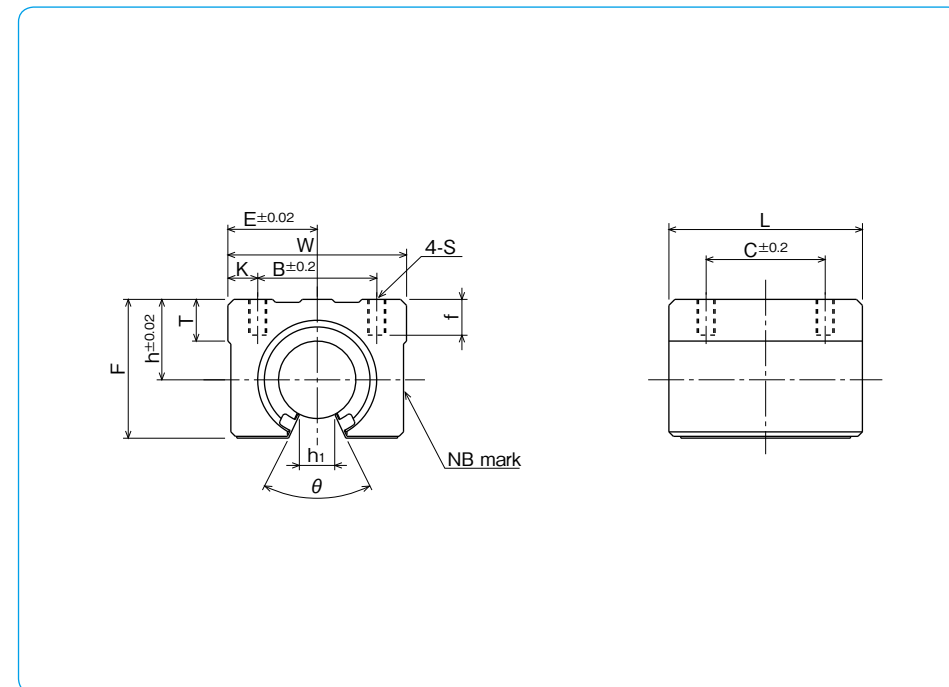
## part number structure

example **SMSE 25 G UU**

specification SME: standard SMSE: anti-corrosion	inner contact diameter	retainer material blank: standard/steel* anti-corrosion/stainless steel* G: resin	seal blank: without seal UU: seals on both sides
--	------------------------	--	--

\*Size 10 is provided with resin retainer type only.

part number	inner contact diameter mm	major dimensions							
		h mm	E mm	W mm	outer dimensions				
					L mm	F mm	T mm	h <sub>1</sub> mm	θ
SME10GUU	10	15	18	36	32	24	7	6	80°
SME13GUU	13	17	20	40	39	28	8	8.5	80°
SME16GUU	16	20	22.5	45	45	33	9	10	80°
SME20GUU	20	23	24	48	50	39	11	10	60°
SME25GUU	25	27	30	60	65	47	14	11.5	50°
SME30GUU	30	33	35	70	70	56	15	14	50°
SME35GUU	35	37	40	80	80	63	18	16	50°
SME40GUU	40	42	45	90	90	72	20	19	50°
SME50GUU	50	53	60	120	110	92	25	23	50°



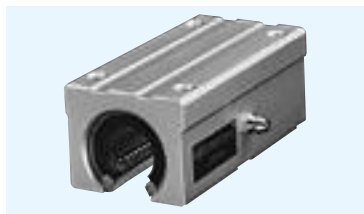
mounting dimensions					basic load rating		* mass g	shaft diameter mm
B mm	C mm	K mm	S	f mm	dynamic C N	static Co N		
25	20	5.5	M5	10	372	549	65	10
28	26	6	M5	10	510	784	100	13
32	30	6.5	M5	12	774	1,180	150	16
35	35	6.5	M6	12	882	1,370	200	20
40	40	10	M6	12	980	1,570	450	25
50	50	10	M8	18	1,570	2,740	630	30
55	55	12.5	M8	18	1,670	3,140	925	35
65	65	12.5	M10	20	2,160	4,020	1,330	40
94	80	13	M10	20	3,820	7,940	3,000	50

\* Mass of resin retainer type

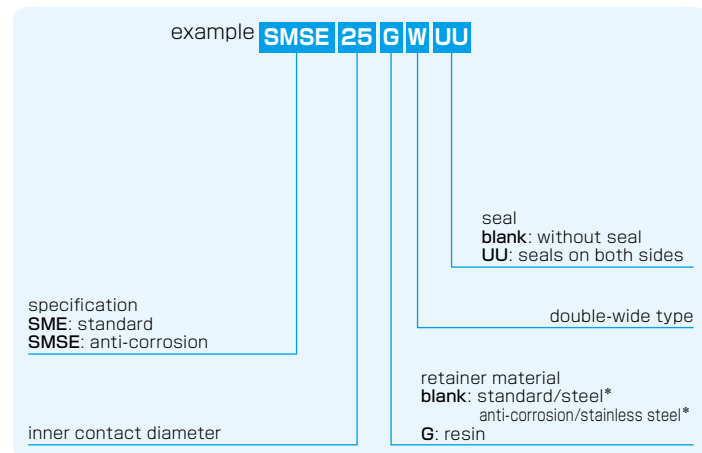
1N≒0.102kgf

# SME-W TYPE

– Double-wide Open Block Type –

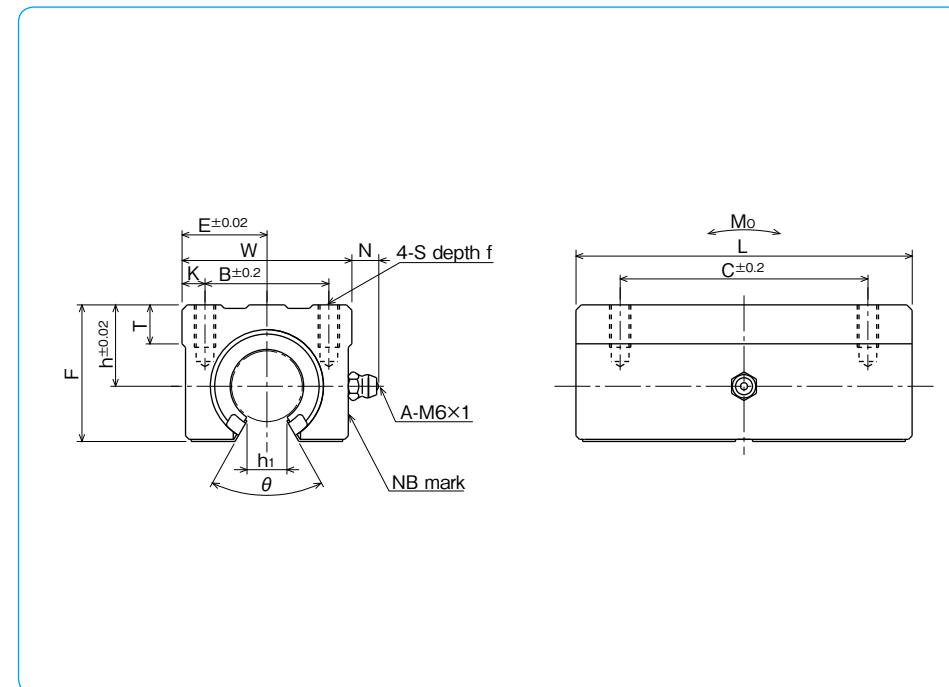


## part number structure



\*Size 10 is provided with resin retainer type only.

part number	inner contact diameter mm	major dimensions								
		h mm	E mm	W mm	outer dimensions			N mm	h <sub>1</sub> mm	θ
					L mm	F mm	T mm			
<b>SME10GWUU</b>	10	15	18	36	65	24	7	7.5	6	80°
<b>SME13GWUU</b>	13	17	20	40	75	28	8	7.5	8.5	80°
<b>SME16GWUU</b>	16	20	22.5	45	85	33	9	7.5	10	80°
<b>SME20GWUU</b>	20	23	24	48	95	39	11	7.5	10	60°
<b>SME25GWUU</b>	25	27	30	60	130	47	14	7.5	11.5	50°
<b>SME30GWUU</b>	30	33	35	70	140	56	15	7.5	14	50°



mounting dimensions					basic load rating		allowable static moment Mo N · m	** mass g	shaft diameter mm
B mm	C mm	K mm	S	f mm	dynamic C N	static Co N			
25	40	5.5	M5	10	588	1,100	4.63	140	10
28	50	6	M5	10	813	1,570	7.42	200	13
32	60	6.5	M5	12	1,230	2,350	12.6	300	16
35	70	6.5	M6	12	1,400	2,740	14.5	400	20
40	90	10	M6	12	1,560	3,140	24.7	900	25
50	100	10	M8	18	2,490	5,490	47.2	1,260	30

\* Mass of resin retainer type

1N ≒ 0.102kgf 1N · m ≒ 0.102kgf · m

SLIDE BUSH

# SMD TYPE

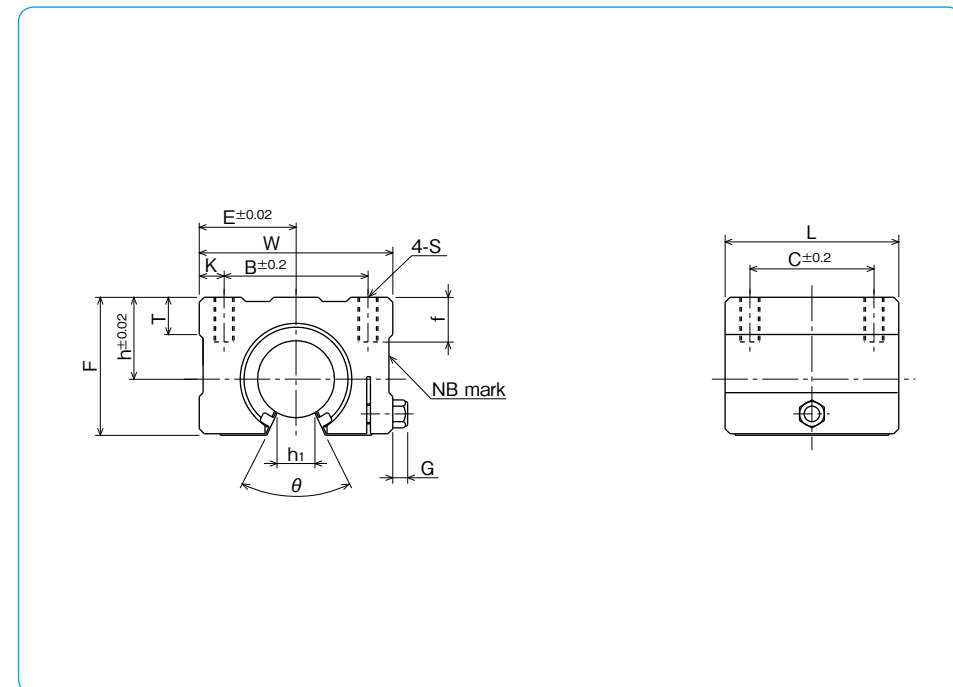
— Open Block with Clearance Adjustable Type —



## part number structure

example **SMSD 25 G UU**

specification <b>SMD</b> : standard <b>SMSD</b> : anti-corrosion	inner contact diameter <b>25</b>	retainer material <b>G</b> : resin	seal <b>blank</b> : without seal <b>UU</b> : seals on both sides
--	-------------------------------------	---------------------------------------	--



part number	inner contact diameter mm	h mm	E mm	W mm	outer dimensions			major dimensions		
					L mm	F mm	T mm	G mm	h <sub>1</sub> mm	θ
<b>SMD16GUU</b>	16	20	25	50	45	33	9	6	10	80°
<b>SMD20GUU</b>	20	23	27	54	50	39	11	7	10	60°
<b>SMD25GUU</b>	25	27	38	76	65	47	14	7	11.5	50°
<b>SMD30GUU</b>	30	33	39	78	70	56	15	7	14	50°

mounting dimensions					basic load rating		* mass g	shaft diameter mm
B mm	C mm	K mm	S	f mm	dynamic C N	static Co N		
36	30	7	M5	12	774	1,180	170	16
40	35	7	M6	12	882	1,370	240	20
54	40	11	M6	12	980	1,570	580	25
58	50	10	M8	18	1,570	2,740	720	30

\* Mass of resin retainer type

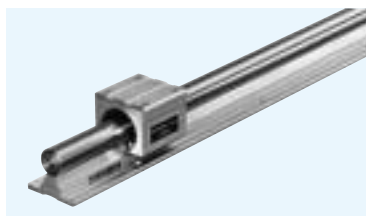
1N≐0.102kgf

SLIDE BUSH

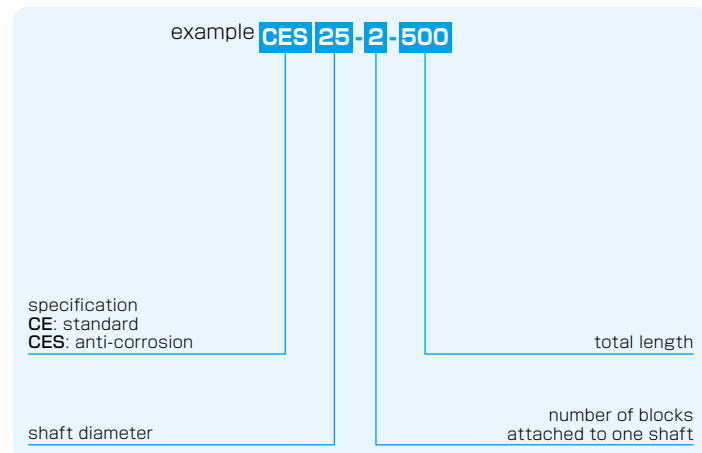


# CE TYPE

– Non-Clearance Adjustable Type –

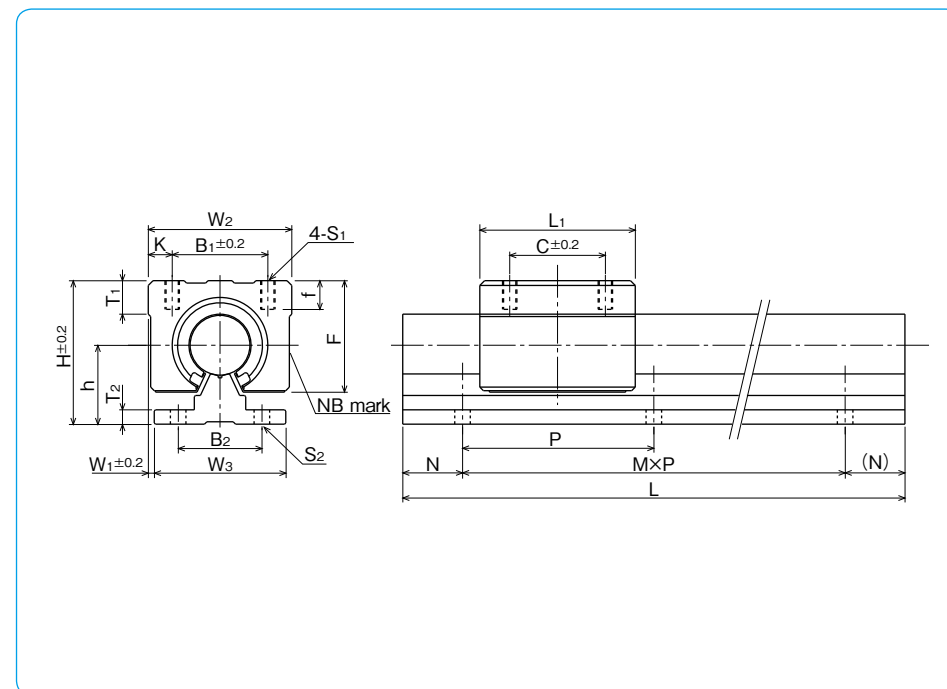


## part number structure



※Inside bush is a resin retainer type with seals.

part number		shaft diameter mm	assembly dimension tolerance g6 μm	block dimension										major dimensions						
standard	anti-corrosion			H	h	W <sub>1</sub>	W <sub>2</sub>	F	L <sub>1</sub>	B <sub>1</sub>	C	K	T <sub>1</sub>	S <sub>1</sub>	f	W <sub>3</sub>	B <sub>2</sub>	T <sub>2</sub>	P	S <sub>2</sub>
<b>CE16</b>	<b>CES16</b>	16	-6 -17	45	25	2.5	45	33	45	32	30	6.5	9	M5	12	40	30	5	150	5.5
<b>CE20</b>	<b>CES20</b>	20	-7 -20	50	27	1.5	48	39	50	35	35	6.5	11	M6	12	45	30	5	150	5.5
<b>CE25</b>	<b>CES25</b>	25		60	33	2.5	60	47	65	40	40	10	14	M6	12	55	35	6	200	6.5
<b>CE30</b>	<b>CES30</b>	30		70	37	5	70	56	70	50	50	10	15	M8	18	60	40	7	200	6.5

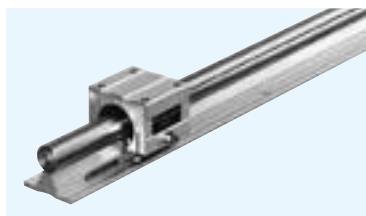


support rail dimensions L (M,N) mm				basic load rating dynamic C N	static Co N	block mass g	rail mass kg/m	size
300 (1,75)	500 (3,25)	800 (5,25)	1,000 (6,50)	774	1,180	150	2.58	<b>16</b>
300 (1,75)	500 (3,25)	800 (5,25)	1,000 (6,50)	882	1,370	200	3.49	<b>20</b>
300 (1,50)	500 (2,50)	800 (3,100)	1,000 (4,100)	980	1,570	450	5.31	<b>25</b>
300 (1,50)	500 (2,50)	800 (3,100)	1,000 (4,100)	1,570	2,740	630	7.39	<b>30</b>

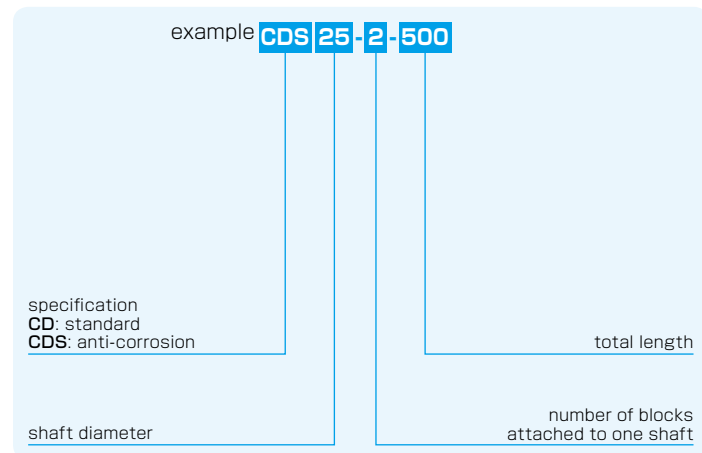
1N≒0.102kgf

# CD TYPE

– Clearance Adjustable Type –

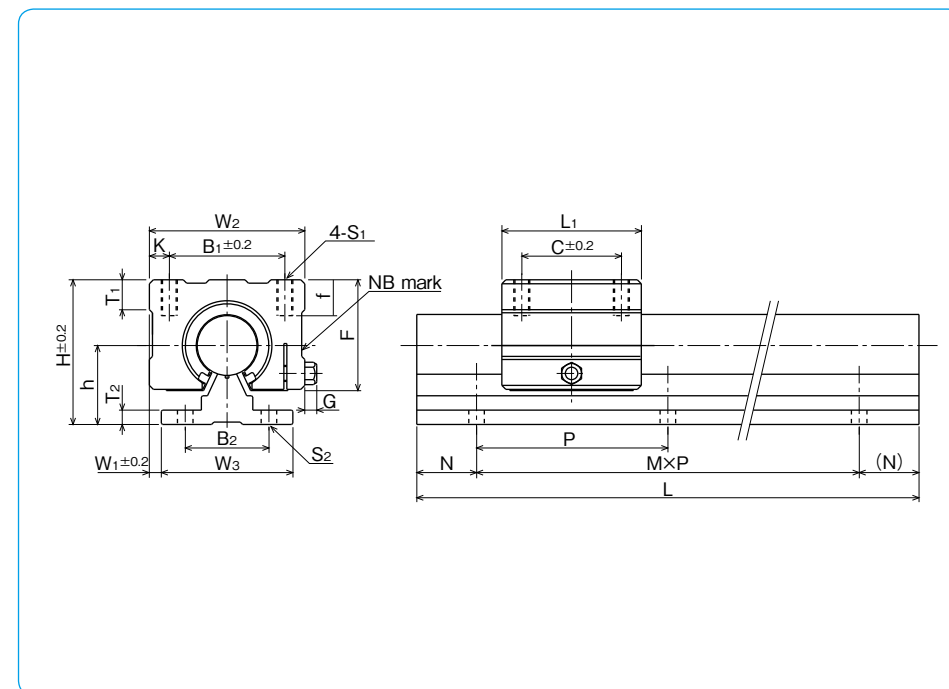


## part number structure



※Inside bush is a resin retainer type with seals.

part number		shaft diameter mm	assembly dimension	block dimension												major dimensions					
standard	anti-corrosion			tolerance g6 μm	H	h	W <sub>1</sub>	W <sub>2</sub>	F	L <sub>1</sub>	B <sub>1</sub>	C	K	T <sub>1</sub>	S <sub>1</sub>	f	G	W <sub>3</sub>	B <sub>2</sub>	T <sub>2</sub>	P
<b>CD16</b>	<b>CDS16</b>	16	-6 -17	45	25	5	50	33	45	36	30	7	9	M5	12	6	40	30	5	150	5.5
<b>CD20</b>	<b>CDS20</b>	20		50	27	4.5	54	39	50	40	35	7	11	M6	12	7	45	30	5	150	5.5
<b>CD25</b>	<b>CDS25</b>	25	-7 -20	60	33	10.5	76	47	65	54	40	11	12	M6	12	7	55	35	6	200	6.5
<b>CD30</b>	<b>CDS30</b>	30		70	37	9	78	56	70	58	50	10	15	M8	18	7	60	40	7	200	6.5

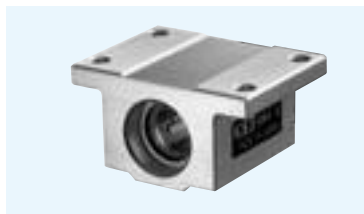


support rail dimensions L (M,N) mm				basic load rating dynamic C N	static Co N	block mass g	rail mass kg/m	size
300 (1,75)	500 (3,25)	800 (5,25)	1,000 (6,50)	774	1,180	170	2.58	<b>16</b>
300 (1,75)	500 (3,25)	800 (5,25)	1,000 (6,50)	882	1,370	240	3.49	<b>20</b>
300 (1,50)	500 (2,50)	800 (3,100)	1,000 (4,100)	980	1,570	580	5.31	<b>25</b>
300 (1,50)	500 (2,50)	800 (3,100)	1,000 (4,100)	1,570	2,740	720	7.39	<b>30</b>

1N≒0.102kgf

# SWA TYPE (Inch Standard)

– Block Type –



## part number structure

example **SWA 20 G R UU**

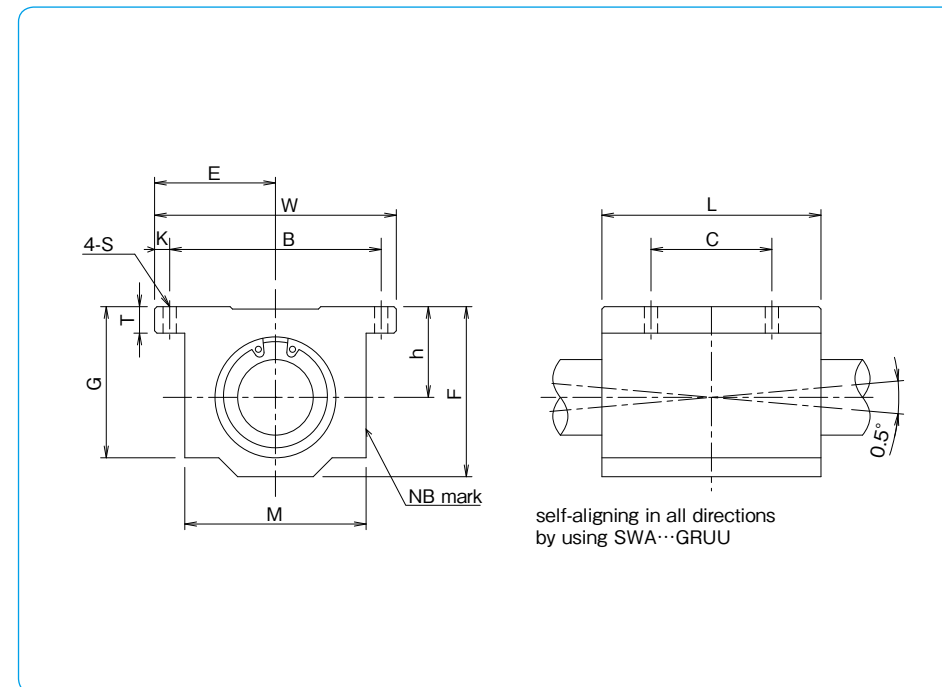
specification  
**SWA**: standard  
**SWSA**: anti-corrosion

size

retainer material  
**blank**: standard/steel  
 anti-corrosion/stainless steel  
**G**: resin

seal  
**blank**: without seal  
**UU**: seals on both sides

self-aligning  
 (SWA-resin retainer only)



part number	inner contact diameter		major dimensions				
	tolerance		outer dimensions				
	inch/(mm)	inch/(μm)	h ±.001/(±0.02) inch/(mm)	E ±.001/(±0.02) inch/(mm)	W inch/(mm)	L inch/(mm)	F inch/(mm)
<b>SWA 4GUU</b>	.2500 (6.350)	0 −.00040 (−9)	.4370 (11.100)	.8125 (20.638)	1.625 (41.28)	1.188 (30.16)	.813 (20.64)
<b>SWA 6GUU</b>	.3750 (9.525)		.5000 (12.700)	.8750 (22.225)	1.750 (44.45)	1.313 (33.34)	.938 (23.82)
<b>SWA 8GUU</b>	.5000 (12.700)		.6870 (17.450)	1.0000 (25.400)	2.000 (50.80)	1.688 (42.86)	1.250 (31.75)
<b>SWA 10GUU</b>	.6250 (15.875)	0 −.00040 (−10)	.8750 (22.225)	1.2500 (31.750)	2.500 (63.50)	1.938 (49.21)	1.625 (41.28)
<b>SWA 12GUU</b>	.7500 (19.050)		.9370 (23.800)	1.3750 (34.925)	2.750 (69.85)	2.063 (52.39)	1.750 (44.45)
<b>SWA 16GUU</b>	1.0000 (25.400)		1.1870 (30.150)	1.6250 (41.275)	3.250 (82.55)	2.813 (71.44)	2.188 (55.56)
<b>SWA 20GUU</b>	1.2500 (31.750)	0 −.00050 (−12)	1.5000 (38.100)	2.0000 (50.800)	4.000 (101.60)	3.625 (92.08)	2.813 (71.44)
<b>SWA 24GUU</b>	1.5000 (38.100)		1.7500 (44.450)	2.3750 (60.325)	4.750 (120.65)	4.000 (101.60)	3.250 (82.55)
<b>SWA 32GUU</b>	2.0000 (50.800)		2.1250 (53.975)	3.0000 (76.200)	6.000 (152.40)	5.000 (127.00)	4.063 (103.19)

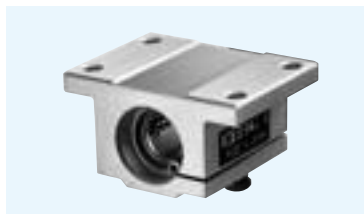
Product of NB Corporation of America

T	G	M	mounting dimensions				S	basic load rating		mass
			B	C	C	Co				
			±.01/(±0.2) inch/(mm)	±.01/(±0.2) inch/(mm)				N	N	
.188 (4.76)	.750 (19.05)	1.000 (25.40)	1.312 (33.33)	.750 (19.05)	.156 (3.96)	.156 (3.96)	206	265	45	
.188 (4.76)	.875 (22.23)	1.125 (28.58)	1.437 (36.50)	.875 (22.23)	.156 (3.96)	.156 (3.96)	225	314	62	
.250 (6.35)	1.125 (28.58)	1.375 (34.93)	1.688 (42.88)	1.000 (25.40)	.156 (3.96)	.156 (3.96)	510	784	130	
.281 (7.14)	1.437 (36.50)	1.750 (44.45)	2.125 (53.98)	1.125 (28.58)	.188 (4.76)	.188 (4.76)	774	1,180	240	
.313 (7.94)	1.563 (39.69)	1.875 (47.63)	2.375 (60.33)	1.250 (31.75)	.188 (4.76)	.188 (4.76)	862	1,370	290	
.375 (9.53)	1.938 (49.21)	2.375 (60.33)	2.875 (73.03)	1.750 (44.45)	.188 (4.76)	.219 (5.56)	980	1,570	615	
.438 (11.11)	2.500 (63.50)	3.000 (76.20)	3.500 (88.90)	2.000 (50.80)	.250 (6.35)	.219 (5.56)	1,570	2,740	1,300	
.500 (12.70)	2.875 (73.03)	3.500 (88.90)	4.125 (104.78)	2.500 (63.50)	.313 (7.94)	.281 (7.14)	2,160	4,020	1,900	
.625 (15.88)	3.625 (92.08)	4.500 (114.30)	5.250 (133.35)	3.250 (82.55)	.375 (9.53)	.413 (10.50)	3,820	7,940	3,600	

SI UNIT 1N≒0.225lbf  
 1kg≒2.205lbs

# SWJ TYPE (Inch Standard)

– Clearance Adjustable Block Type –



## part number structure

example **SWJ 20 G R UU**

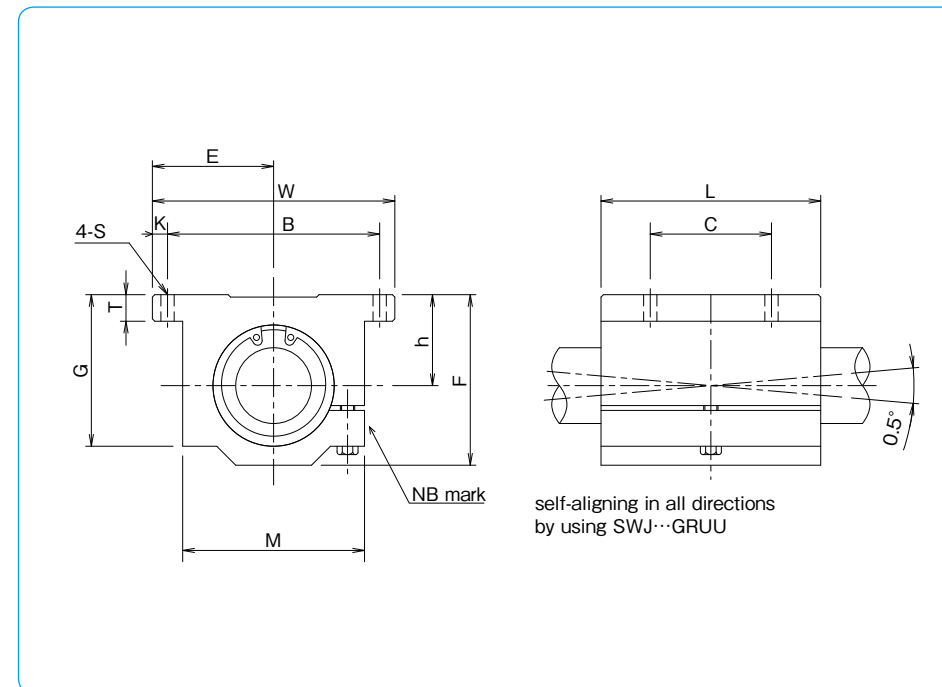
specification  
**SWJ**: standard  
**SWSJ**: anti-corrosion

size

retainer material  
**blank**: standard/steel  
 anti-corrosion/stainless steel  
**G**: resin

seal  
**blank**: without seal  
**UU**: seals on both sides

self-aligning  
 (SWA-resin retainer only)



part number	major dimensions					
	inner contact diameter	outer dimensions				
		h	E	W	L	F
inch/(mm)	$\pm .001/(\pm 0.02)$ inch/(mm)	$\pm .001/(\pm 0.02)$ inch/(mm)	inch/(mm)	inch/(mm)	inch/(mm)	
<b>SWJ 4GUU</b>	.2500 (6.350)	.4370 (11.100)	.8125 (20.638)	1.625 (41.28)	1.188 (30.16)	.813 (20.64)
<b>SWJ 6GUU</b>	.3750 (9.525)	.5000 (12.700)	.8750 (22.225)	1.750 (44.45)	1.313 (33.34)	.938 (23.82)
<b>SWJ 8GUU</b>	.5000 (12.700)	.6870 (17.450)	1.0000 (25.400)	2.000 (50.80)	1.688 (42.86)	1.250 (31.75)
<b>SWJ 10GUU</b>	.6250 (15.875)	.8750 (22.225)	1.2500 (31.750)	2.500 (63.50)	1.938 (49.21)	1.625 (41.28)
<b>SWJ 12GUU</b>	.7500 (19.050)	.9370 (23.800)	1.3750 (34.925)	2.750 (69.85)	2.063 (52.39)	1.750 (44.45)
<b>SWJ 16GUU</b>	1.0000 (25.400)	1.1870 (30.150)	1.6250 (41.275)	3.250 (82.55)	2.813 (71.44)	2.188 (55.56)
<b>SWJ 20GUU</b>	1.2500 (31.750)	1.5000 (38.100)	2.0000 (50.800)	4.000 (101.60)	3.625 (92.08)	2.813 (71.44)
<b>SWJ 24GUU</b>	1.5000 (38.100)	1.7500 (44.450)	2.3750 (60.325)	4.750 (120.65)	4.000 (101.60)	3.250 (82.55)
<b>SWJ 32GUU</b>	2.0000 (50.800)	2.1250 (53.975)	3.0000 (76.200)	6.000 (152.40)	5.000 (127.00)	4.063 (103.19)

Product of NB Corporation of America

T	G	M	mounting dimensions				dynamic C	static Co	mass
			B	C	K	S			
			$\pm .01/(\pm 0.2)$ inch/(mm)	$\pm .01/(\pm 0.2)$ inch/(mm)	inch/(mm)	inch/(mm)			
.188 (4.76)	.750 (19.05)	1.000 (25.40)	1.312 (33.33)	.750 (19.05)	.156 (3.96)	.156 (3.96)	206	265	45
.188 (4.76)	.875 (22.23)	1.125 (28.58)	1.437 (36.50)	.875 (22.23)	.156 (3.96)	.156 (3.96)	225	315	62
.250 (6.35)	1.125 (28.58)	1.375 (34.93)	1.688 (42.88)	1.000 (25.40)	.156 (3.96)	.156 (3.96)	510	784	130
.281 (7.14)	1.437 (36.50)	1.750 (44.45)	2.125 (53.98)	1.125 (28.58)	.188 (4.76)	.188 (4.76)	774	1,180	240
.313 (7.94)	1.563 (39.69)	1.875 (47.63)	2.375 (60.33)	1.250 (31.75)	.188 (4.76)	.188 (4.76)	862	1,370	290
.375 (9.53)	1.938 (49.21)	2.375 (60.33)	2.875 (73.03)	1.750 (44.45)	.188 (4.76)	.219 (5.56)	980	1,570	615
.438 (11.11)	2.500 (63.50)	3.000 (76.20)	3.500 (88.90)	2.000 (50.80)	.250 (6.35)	.219 (5.56)	1,570	2,740	1,300
.500 (12.70)	2.875 (73.03)	3.500 (88.90)	4.125 (104.78)	2.500 (50.80)	.313 (7.94)	.281 (7.14)	2,160	4,020	1,900
.625 (15.88)	3.625 (92.08)	4.500 (114.30)	5.250 (133.35)	3.250 (82.55)	.375 (9.53)	.413 (10.50)	3,820	7,940	3,600

SI UNIT 1N $\approx$ 0.225lbf  
 1kg $\approx$ 2.205lbs

# SWD TYPE (Inch Standard)

– Open Block Type –



## part number structure

example **SWD 20 G R UU**

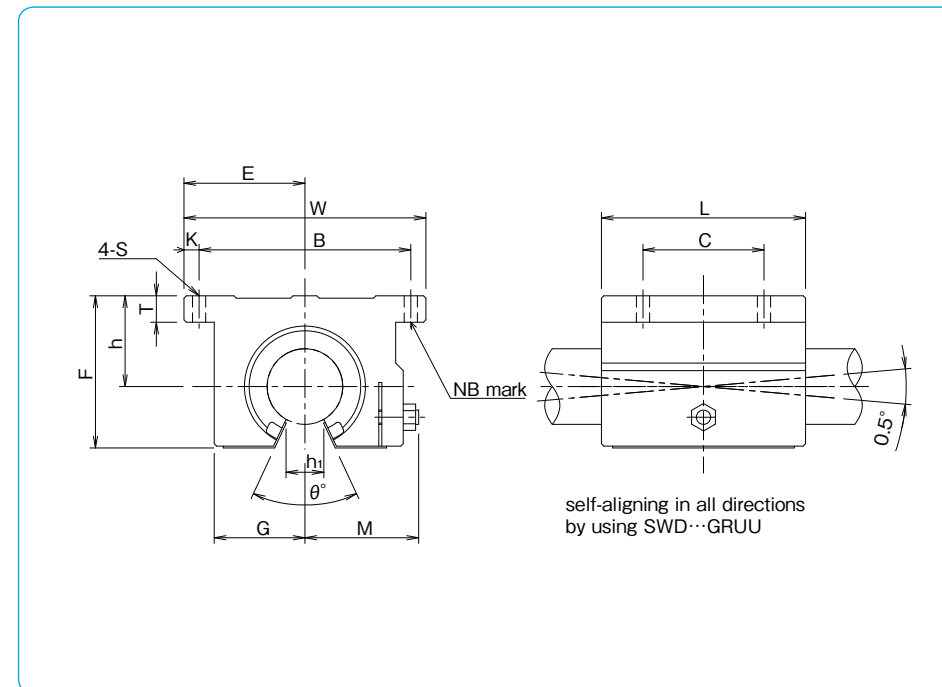
specification  
**SWD**: standard  
**SWSD**: anti-corrosion

size

retainer material  
**blank**: standard/steel  
 anti-corrosion/stainless steel  
**G**: resin

seal  
**blank**: without seal  
**UU**: seals on both sides

self-aligning  
 (SWD-resin retainer only)



part number	major dimensions							
	inner contact diameter inch/(mm)	h ±.001/(±0.02) inch/(mm)	E ±.001/(±0.02) inch/(mm)	W inch/(mm)	L inch/(mm)	F inch/(mm)	outer dimensions	
							T inch/(mm)	G inch/(mm)
<b>SWD 8GUU</b>	.5000 (12.700)	.6870 (17.450)	1.0000 (25.400)	2.000 (50.80)	1.500 (38.10)	1.100 (27.94)	.250 (6.35)	.688 (17.5)
<b>SWD 10GUU</b>	.6250 (15.875)	.8750 (22.225)	1.2500 (31.750)	2.500 (63.50)	1.750 (44.45)	1.375 (34.93)	.281 (7.14)	.875 (22.23)
<b>SWD 12GUU</b>	.7500 (19.050)	.9370 (23.800)	1.3750 (34.950)	2.750 (69.85)	1.875 (47.63)	1.535 (39.00)	.315 (8.00)	.937 (23.80)
<b>SWD 16GUU</b>	1.0000 (25.400)	1.1870 (30.150)	1.6250 (41.300)	3.250 (82.55)	2.625 (66.68)	1.975 (50.17)	.375 (9.53)	1.188 (30.18)
<b>SWD 20GUU</b>	1.2500 (31.750)	1.5000 (38.100)	2.0000 (50.800)	4.000 (101.60)	3.375 (85.73)	2.485 (63.12)	.437 (11.10)	1.500 (38.10)
<b>SWD 24GUU</b>	1.5000 (38.100)	1.7500 (44.450)	2.3750 (60.325)	4.750 (120.65)	3.750 (95.25)	2.910 (73.90)	.500 (12.70)	1.750 (44.45)
<b>SWD 32GUU</b>	2.0000 (50.800)	2.1250 (53.975)	3.0000 (76.200)	6.000 (152.4)	4.750 (120.65)	3.660 (92.90)	.625 (15.88)	2.250 (57.15)

Product of NB Corporation of America

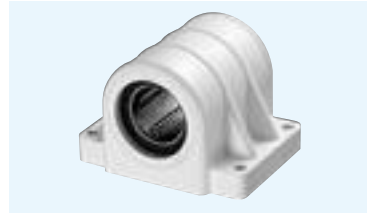
M	h <sub>1</sub>	θ	mounting dimensions				dynamic C	static C <sub>0</sub>	mass
			B ±.01/(±0.2) inch/(mm)	C ±.01/(±0.2) inch/(mm)	K inch/(mm)	S inch/(mm)			
inch/(mm)	inch/(mm)		inch/(mm)	inch/(mm)	inch/(mm)	inch/(mm)	N	N	g
.98 (24.89)	.3425 (8.70)	80°	1.688 (42.88)	1.000 (25.40)	.156 (3.96)	.156 (3.96)	510	784	98
1.15 (29.21)	.375 (9.53)	80°	2.125 (53.98)	1.125 (28.58)	.188 (4.76)	.188 (4.76)	774	1,180	185
1.23 (31.24)	.4375 (11.11)	60°	2.375 (60.33)	1.250 (31.75)	.188 (4.76)	.188 (4.76)	862	1,370	235
1.48 (37.59)	.5625 (14.29)	50°	2.875 (73.03)	1.750 (44.45)	.188 (4.76)	.219 (5.56)	980	1,570	530
1.88 (47.75)	.625 (15.88)	50°	3.500 (88.90)	2.000 (50.80)	.250 (6.35)	.219 (5.56)	1,570	2,740	1,080
2.12 (53.85)	.750 (19.05)	50°	4.125 (104.78)	2.500 (63.50)	.313 (7.94)	.281 (7.14)	2,160	4,020	1,620
2.70 (68.58)	1.00 (25.40)	50°	5.250 (133.35)	3.250 (82.55)	.375 (9.53)	.413 (10.50)	3,820	7,940	3,100

SI UNIT 1N≒0.225lbf  
1kg≒2.205lbs

# RBW TYPE

(Inch Standard / Anti-Corrosion Type)

— Resin Block Type —

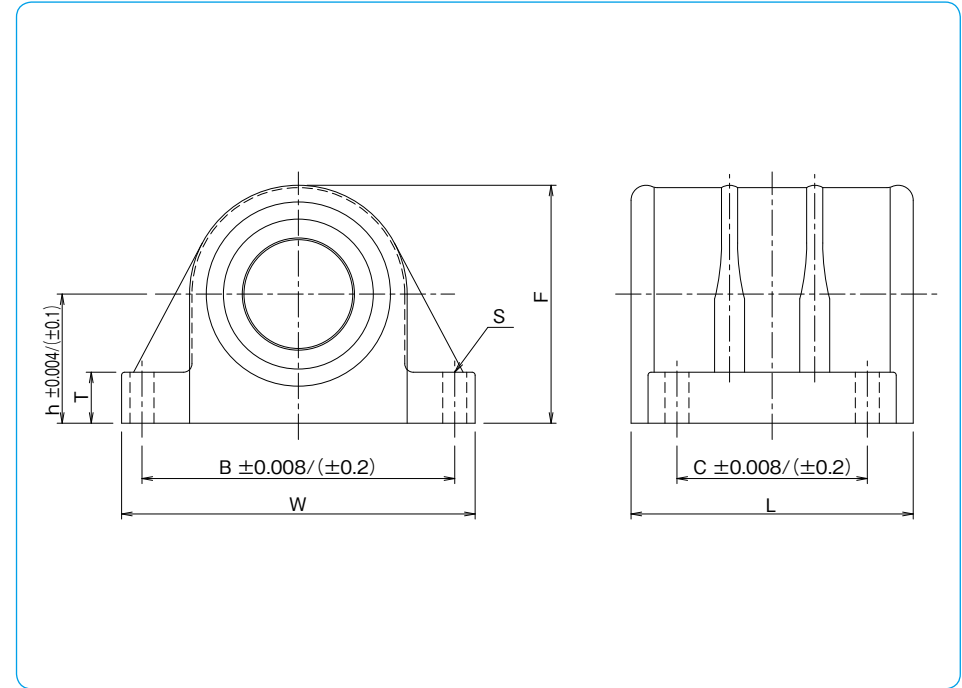


## part number structure

example **RBW 16**

RBW type

size



part number	inner contact diameter		major dimensions			
	inch/(mm)	tolerance inch/(μm)	h inch/(mm)	outer dimensions		
				W inch/(mm)	L inch/(mm)	F inch/(mm)
<b>RBW 8</b>	.5000 (12.700)	0	.6870 (17.450)	2.000 (50.80)	1.5937 (40.481)	1.2500 (31.750)
<b>RBW 10</b>	.6250 (15.875)	-0.00040 (-9)	.8750 (22.225)	2.500 (63.50)	1.8437 (46.831)	1.6250 (41.275)
<b>RBW 12</b>	.7500 (19.050)	0	.9370 (23.800)	2.750 (69.85)	1.9687 (50.006)	1.7500 (44.450)
<b>RBW 16</b>	1.0000 (25.400)	-0.00040 (-10)	1.1870 (30.150)	3.250 (82.55)	2.5937 (65.881)	2.1870 (55.550)

\*RBW type has side-seals as standard.  
Product of NB Corporation of America

mounting dimensions				basic load rating		mass g
T inch/(mm)	B inch/(mm)	C inch/(mm)	S inch/(mm)	dynamic C N	static Co N	
.3437 (8.731)	1.688 (42.875)	1.000 (25.400)	.157 (4.0)	510	784	51
.3750 (9.525)	2.125 (53.975)	1.125 (28.575)	.189 (4.8)	774	1180	99
.4063 (10.319)	2.375 (60.325)	1.250 (31.750)	.189 (4.8)	862	1370	129
.4687 (11.906)	2.875 (73.025)	1.750 (44.450)	.220 (5.6)	980	1570	242

SI UNIT 1N≒0.225lbf  
1kg≒2.205lbs

# TOPBALL®

<b>TOPBALL</b>	
STRUCTURE AND ADVANTAGES	· · · D-2
TYPES	· · · · · D-3
LIFE CALCULATION	· · · · · D-4
RELATION BETWEEN BALL CIRCUITS AND LOAD RATING	D-4
MOUNTING	· · · · · D-5
ANTI-CORROSIVE TYPE	· · · · · D-6
USE AND HANDLING PRECAUTIONS	D-7
DIMENSION TABLE	· · · · · D-8

# TOPBALL®

The NB TOPBALL is a linear motion mechanism utilizing the rotational motion of ball elements. NB's self-aligning TOPBALL can be designed into many different applications such as factory automated equipment, machine tools, industrial machines, electrical equipment, optical and measuring instruments.

## STRUCTURE AND ADVANTAGES

### Higher Load Capacity and Longer Travel life

NB's uniquely designed load plate provides circular arch contact to the ball element resulting in a greater dispersion of the load, enabling TOPBALL to provide up to three times the load capacity therefore 27 times the travel life of conventional slide bushings.

### Self Aligning Capability

Load plates are thinner at the ends to provide a pivot point at the center of the plate. The center acts as a fulcrum to compensate for any slight misalignment between the shaft and the housing bore that might be caused by inaccurate machining, mounting errors or shaft deflection.

Straight load plate ST option is available for non self-alignment.

### Floating Seal

NB's unique floating seal design allows for self-alignment while maintaining equal and constant contact to the shaft. Seals do not add to the overall length of the bushing allowing for more compact designs.

### High Speed

TOPBALL meets high speed requirements. The maximum speed is 3m/s.

### Clearance Adjustable

TOPBALL load plates are designed to "float" in the outer sleeve which allows for clearance between the ball elements and shaft to best suit application requirements.

### TOPBALL Unit

This is a TOPBALL with a housing. The housing has the most appropriate bore tolerance that optimizes TOPBALL's performance.

### Tolerance interchangeable with Asian Metric Slide Bush Type

Shaft diameter tolerance for TMF and TMA types is the same as Asian Metric slide Bush (refer to "Clearance and Fit" in page D-6).

TMF type is an easy to mount flange type. Mounting dimensions of TMA type are the same as those of Asian Metric SMA type which makes replacement easy.

Figure D-1 Circular Arch Design and Ground Surface Raceway

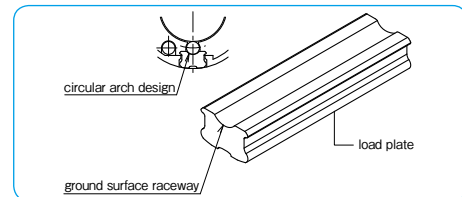


Figure D-3 Basic Structure of TK

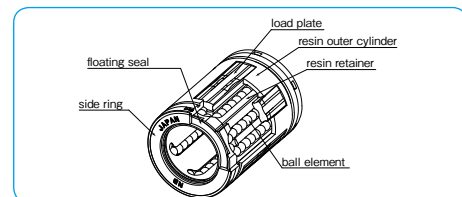
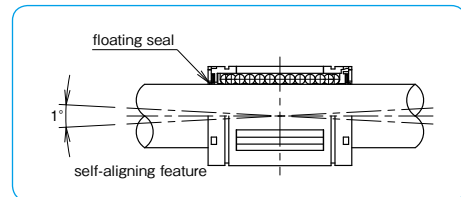




















Figure D-2 Floating Seal and Self-aligning Feature



## TYPES

Table D-1 Types

		Metric Series		Inch Series	
TOPBALL	closed type	TK  P.D-8	TW  P.D-10		
	open type	TK-OP  P.D-8	TW-OP  P.D-10		
TOPBALL Unit	closed type	TKA  P.D-12	TKA-W  P.D-13	TWA  P.D-20	TWA-W  P.D-21
	adjustable type	/		TWJ  P.D-22	TWJ-W  P.D-23
	open type	TKE  P.D-14	TKE-W  P.D-15	/	
	adjustable-open type	TKD  P.D-16	TKD-W  P.D-17	TWD  P.D-24	TWD-W  P.D-25
	Tolerance interchangeable with Asian Metric Slide Bush Type	TMF  P.D-18	TMA  P.D-19	/	
			/		/



## LIFE CALCULATION

Since ball elements are used as the rolling element in the NB TOPBALL, the following equation is used to calculate the rated life.

$$L = \left( \frac{f_H \cdot f_T \cdot f_C \cdot C}{f_w \cdot P} \right)^3 \cdot 50$$

L: rated life (km) f<sub>H</sub>: hardness coefficient  
 f<sub>T</sub>: temperature coefficient f<sub>C</sub>: contact coefficient  
 f<sub>w</sub>: applied load coefficient (Table D-2)  
 C: basic dynamic load rating (N) P: applied load (N)  
 \*Refer to page Eng-5 for the coefficients.

### Applied Load Coefficient (f<sub>w</sub>)

When calculating the applied load, the weight of the mass, inertial force, moment resulting from the motion, and the variation with time should be accurately estimated. However, it is very difficult to accurately estimate the applied load due to the existence of numerous variables, including the start/stop conditions of the reciprocating motion and of the shock/vibration. Estimation is simplified by using the values given in Table D-2.

If the stroke and number of cycles per unit time are constant, the life time is calculated using the following equation.

$$L_h = \frac{L \cdot 10^3}{2 \cdot l_s \cdot n \cdot 60}$$

L<sub>h</sub>: life time (hr) l<sub>s</sub>: stroke length (m)  
 L: rated life (km) n: number of cycles per minute (cpm)

Table D-2 Applied Load Coefficient

operating conditions	applied load coefficient f <sub>w</sub>
no shock/vibration 0.25m/s or less	1.0~1.5
low shock/vibration 1m/s or less	1.5~2.0
high shock/vibration 1.5m/s or less	2.0~3.5
high shock/vibration 3m/s or less	3.5~4.0
5m/s or less	4.0 or more

## RELATION BETWEEN BALL CIRCUITS AND LOAD RATING

The load rating varies according to the loaded position on the circumference. The value in the dimension table indicates the lowest load rating with the load placed on top of one ball circuit. Table D-3 shows the load ratio for the TK and TW TOPBALL.

Table D-3 Load Positions

size	TK8	TK10~TK16	TK20~TK50	TW3~TW8	TW10	TW12~TW32
C (dynamic load rating in the table)						
C <sub>max</sub> (maximum dynamic load rating)						
load ratio C <sub>max</sub> /C C <sub>MAX</sub> /C	1.414	1.463	1.280	1.414	1.463	1.280
C <sub>z</sub> (dynamic load rating in reverse direction)	none					
load ratio C <sub>z</sub> /C C <sub>Z</sub> /C	—	0.44 <small>(except for TK10)</small>	0.60	0.70 <small>(TW8 only)</small>	0.44	0.57

## MOUNTING

### Clearance and Fit

An appropriate clearance between TOPBALL and shaft is required in TOPBALL operation. Inadequate clearance may cause early failure and/or poor, rough movement. Proper clearance is determined by shaft diameter and housing bore. Table D-4~6 show recommended tolerances of the shaft and housing bore.

### Tolerance of TMF and TMA type

Shaft diameter tolerance of TMF and TMA types matches that of Asian Metric Slide Bush:g6. Table D-6 shows recommended tolerances of TMF and TMA types. Please insert TMF type into an installation bore which is slightly larger than the outer cylinder.

### Shaft and Housing

To optimize NB TOPBALL performance, high precision shafts and housings are required.

- Shaft: Dimensional tolerance, surface roughness and hardness greatly affect the traveling performance of the TOPBALL.  
 The shaft must be manufactured to the following tolerances.
  - Surface roughness of Ra0.4 or less.
  - Hardness of 58 HRC or more (refer to page Eng-5).
  - The proper tolerance of the shaft diameter is recommended on Table D-4 and D-5.
 The NB Shaft is an ideal component manufactured to meet these specifications. Please see pages F-1 ~ for details.
- Housing: There are a wide range of designs and manufacturing techniques for housings. NB TOPBALL Units are available as standard products. When housings are prepared separately please refer to Table D-4 and D-5 for a proper fit.

Table D-4: Recommended Tolerance for Shaft Dia. and Housing Bore

part number	shaft dia.		housing bore	
	dr mm	tol. (h6) μm	D mm	tol. (H7) μm
TK 8	8	0	16	+18/0
TK10	10	-9	19	+21
TK12	12	0	22	0
TK16	16	-11	26	0
TK20	20	0	32	+25
TK25	25	0	40	0
TK30	30	-13	47	0
TK40	40	0	62	+30
TK50	50	-16	75	0

Table D-6: Recommended Tolerance (TMF,TMA type)

part number	shaft dia.	
	dr mm	tol. (g6) μm
TMF16	—	16
TMF20	TMA20	20
TMF25	TMA25	25

Table D-5: Recommended Tolerance for Shaft Dia. and Housing Bore

part number	shaft dia.		housing bore	
	dr inch	tol. (g6) inch	D inch	tol. (H7) inch
TW 3	.1875	-.0002	.3750	+0.0005/0
TW 4	.2500	-.0006	.5000	+0.0007
TW 6	.3750	0	.6250	0
TW 8	.5000	-.0002	.8750	+0.0008
TW10	.6250	-.0007	1.1250	0
TW12	.7500	-.0003	1.2500	+0.0010
TW16	1.0000	-.0008	1.5625	0
TW20	1.2500	-.0004	2.0000	+0.0012
TW24	1.5000	-.0010	2.3750	0
TW32	2.0000	-.0004/-0.0012	3.0000	0

### Mounting

TK type TOPBALL is designed to be press fitted into the housing bore. When inserting bushing, however, don't apply excess force nor shock load which may cause permanent damage. For TW type TOPBALL, examples of mouting are shown in Figures D-4~7 and D-9.

### Examples of Mounting

Figures D-4 to D-9 illustrate mounting methods as example.

Figure D-4 Use of Holding Plates

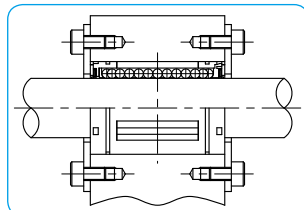


Figure D-5 Clearance Adjustable Type

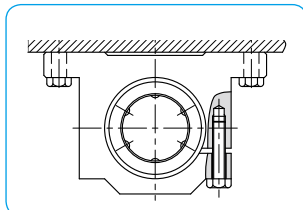


Figure D-6 Use of Retaining Rings

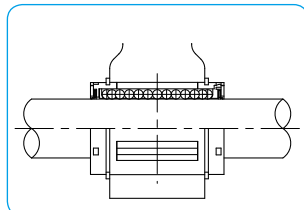
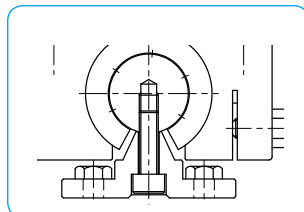


Figure D-7 Open Type



\* Please contact NB for SA type support rails' compatibility with the TOPBALL units.

Figure D-8 Press Fit (TK type)

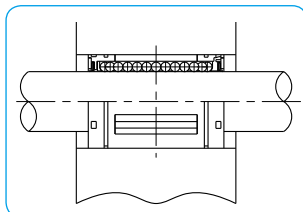
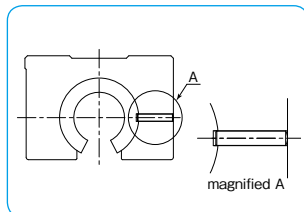


Figure D-9 Pin Fixing



\* Please fix by the pin for open type housing .

### ANTI-CORROSIVE TYPE

A special TOPBALL is also available for anti-corrosive requirements. Please specify with a suffix "-SK" for either TOPBALL or TOPBALL Unit part number. The load plates are electroless nickel plated and balls are made of stainless steel.

Table D-7

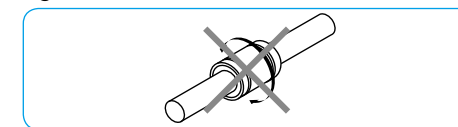
part number	material	
	load plate	ball element
-SK	electroless nickel plate	stainless steel

### USE AND HANDLING PRECAUTIONS

#### Rotational motion not supported

The NB TOPBALL is designed only for linear motion, so that for applications in which a combination of linear and rotational motion is a requirement, Stroke Bush (P. E-2), Slide Rotary Bush (P. E-8), or Rotary Ball Spline (P. B-30) are recommended.

Figure D-10



#### Self Alignment

When used with a single bearing on a single shaft or with a single bearing each on 2 shafts, Self-Alignment causes either shafts or bearings to tilt. To avoid tilting, 2 shafts with 2 bearings on each shaft is recommended. Non-self aligned "ST" type is available only for Euro Metric TK type TOPBALL in size 12 to 40. Please contact NB for details.

#### Operating Temperature Range

The operating temperature range is from -20°C to 80 °C . In case of operation at a temperature outside of this range, please contact NB.

#### Dust Prevention

Foreign particles and dust in the NB TOPBALL affect the motion accuracy and shorten product life. Standard seals will perform well for dust prevention under normal operating conditions, however, in harsh environment it may be necessary to attach protective covers.

#### Lubrication

It is important to lubricate the NB TOPBALL for an accurate operation and for a long life. Anti-rust oil is applied to the NB TOPBALL prior to shipment only. The NB selected anti-rust oil has a little to no effect on lubricants, however, please apply lubricant after cleaning the TOPBALL, for example, using kerosene, etc. For grease lubrication, lithium soap-based grease is recommended. A special low dust generating grease is also available for clean room application. Please refer to page Eng-39 for details.

#### Operating Speed

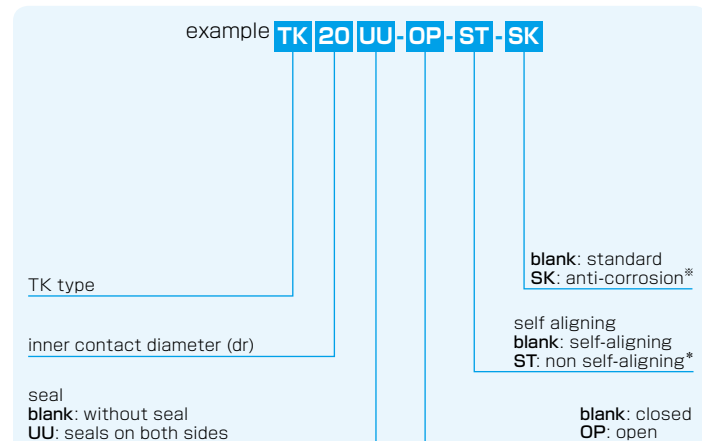
The maximum speed is 5m/s. Product life time may be shortened if operating speed is more than 3m/s due to wear of resin components. Please set applied load coefficient and static safety factor with a margin.

# TK TYPE

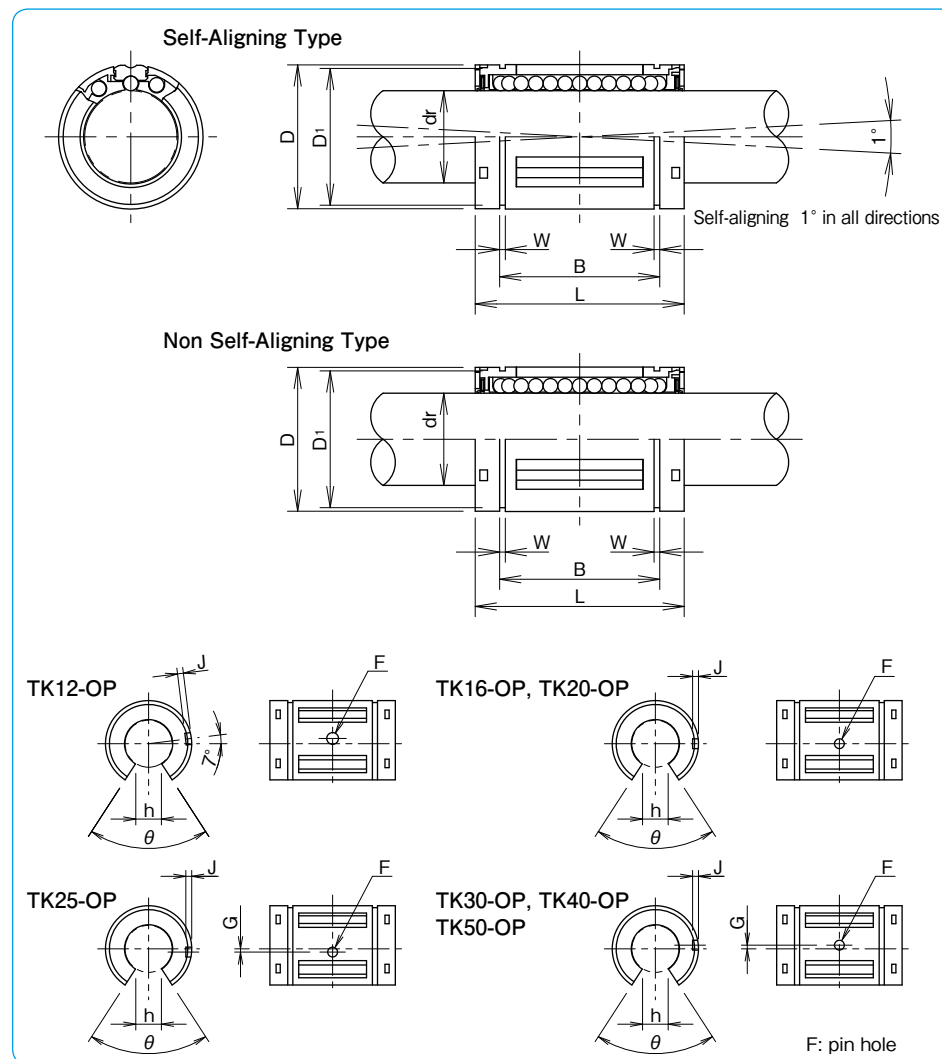
– TOPBALL Metric Type –



## part number structure



※For anti-corrosion the load plates are electroless nickel plated with stainless steel balls.  
 \*ST option is available for size 12 to 40



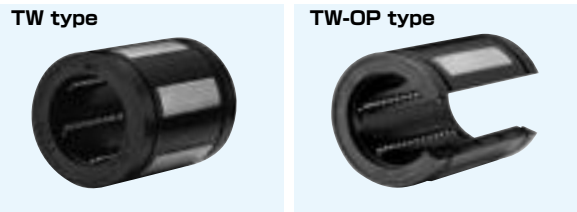
part number		major dimensions									
closed type	number of ball circuits	mass g	open type	number of ball circuits	mass g	mm	dr*		D	L	tolerance mm
							tolerance	mm			
TK 8	4	7.2	—	—	—	8			16	25	±0.2
TK10	5	13.9	—	—	—	10	+ 8	19	29		
TK12	5	21	TK12-OP	4	17	12	0	22	32		
TK16	5	26	TK16-OP	4	35	16	+ 9	26	36		
TK20	6	54	TK20-OP	5	48	20	- 1	32	45		
TK25	6	122	TK25-OP	5	103	25	+11	40	58		
TK30	6	193	TK30-OP	5	177	30	- 1	47	68		
TK40	6	354	TK40-OP	5	275	40	+13	62	80		
TK50	6	615	TK50-OP	5	520	50	-2	75	100		

One-sided seal is also available. Please contact NB for details.  
 \* Based on nominal housing bore

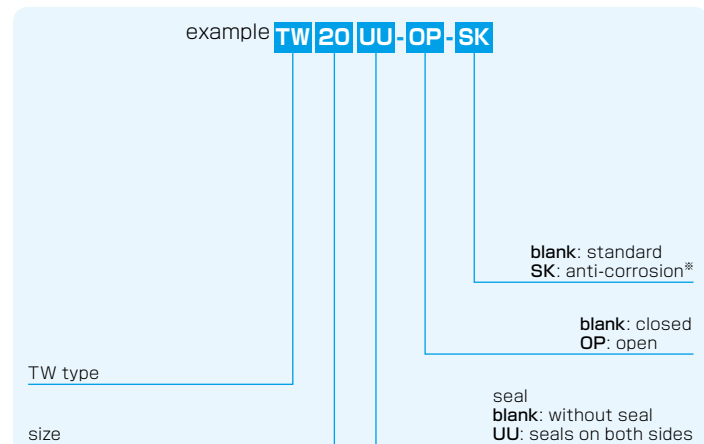
mm	B tolerance mm	W mm	D <sub>1</sub> mm	h mm	θ	open type			basic load rating dynamic C N	static Co N	shaft diameter mm
						F <sup>H11</sup> mm	G mm	J mm			
16.5	-0.2	1.1	15.2	—	—	—	—	—	423	534	8
22.0		1.3	18	—	—	—	—	—	750	935	10
22.9		1.3	21	6.5	66°	3	—	0.7	1,020	1,290	12
24.9		1.3	24.9	9	68°		—	1.0	1,250	1,550	16
31.5		1.6	30.3	9	55°		—	1.0	2,090	2,630	20
44.1	1.85	37.5	11.5	57°	1.5		1.5	3,780	4,720	25	
52.1	1.85	44.5	14	57°	2		1.7	5,470	6,810	30	
60.6	-0.3	2.15	59	19.5	56°	1.5	2.4	6,590	8,230	40	
77.6		2.65	72	22.5	54°	5	2.5	2.7	10,800	13,500	50

# TW TYPE

– TOPBALL Inch Type –



## part number structure



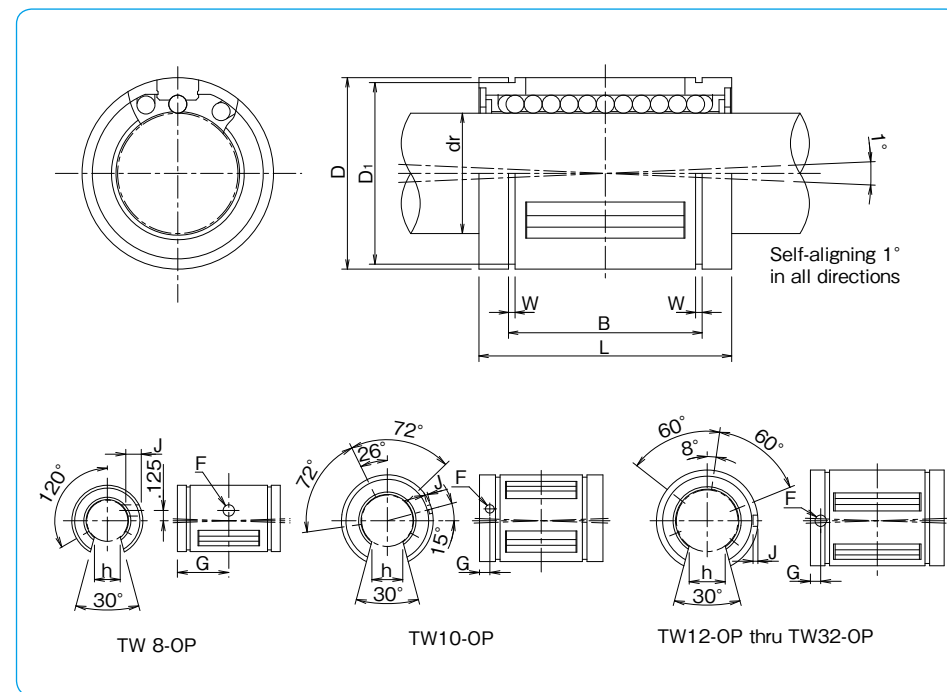
\*For anti-corrosion the load plates are electroless nickel plated with stainless steel balls.

part number						major dimensions					
closed type			open type			dr*		D			L
number of ball circuits	mass lbs		number of ball circuits	mass lbs		inch	tolerance inch	inch	inch	inch	tolerance inch
TW 3	4	.004	—	—	—	.1875	0 -0.005	.3750	.562	±.008	
TW 4	4	.009	—	—	—	.2500		.5000	.750	0	
TW 6	4	.014	—	—	—	.3750		.6250	.875	-.015	
TW 8	4	.043	TW 8-OP	3	.033	.5000		.8750	1.250	0	
TW 10	5	.103	TW 10-OP	4	.083	.6250		1.1250	1.500	0	
TW 12	6	.123	TW 12-OP	5	.102	.7500		1.2500	1.625	-.020	
TW 16	6	.265	TW 16-OP	5	.220	1.0000		1.5625	2.250		
TW 20	6	.485	TW 20-OP	5	.419	1.2500		2.0000	2.625	0/- .025	
TW 24	6	.750	TW 24-OP	5	.639	1.5000		2.3750	3.000	0/- .030	
TW 32	6	1.411	TW 32-OP	5	1.168	2.0000		3.0000	4.000	0/- .040	

\* Based on nominal housing bore

\*\* Seals are not available on TW3.

\*\*\* One-sided seal is also available. Please contact NB for details.



B	W	D <sub>1</sub>	h	open type			basic load rating		nominal shaft diameter	
inch	inch	inch	inch	F	G	J	dynamic C	static Co	inch	
tolerance inch	inch	inch	inch	inch	inch	inch	lbf	lbf	inch	
—	—	—	—	—	—	—	35	47	3/16	
.515	0	.0390	.4687	—	—	—	60	80	1/4	
.703	-.015	.0390	.5880	—	—	—	95	120	3/8	
1.032	0 -0.020	.0459	.8209	.313	.136	.6250	through	230	290	1/2
1.112		.0559	1.0590	.375	.105	.1250	.0390	400	500	5/8
1.272		.0559	1.1760	.438	.136	.1250	.0590	470	590	3/4
1.886		.0679	1.4687	.563	.136	.1250	.0470	850	1,060	1
2.011		0/- .025	.0679	1.8859	.625	.201	.1875	.0900	1,230	1,530
2.422	0/- .030	.0859	2.2389	.750	.201	.1875	.0900	1,480	1,850	1-1/2
3.206	0/- .040	.1029	2.8379	1.000	.265	.3125	through	2,430	3,040	2

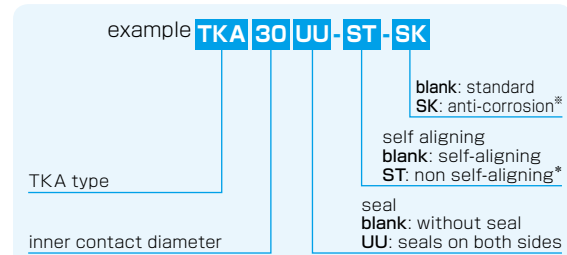
1inch=25.4mm  
1lbs≐0.454kg  
1lbf≐4.448N

# TKA TYPE (Euro Standard)

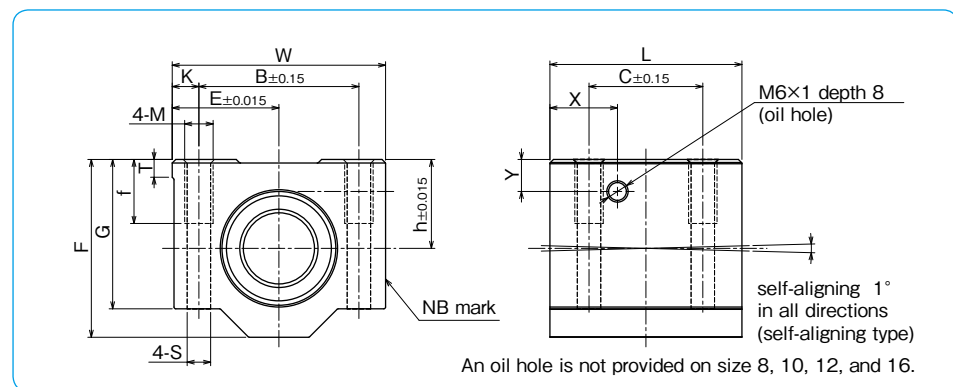
– Block Type –



## part number structure



※For anti-corrosion the load plates are electroless nickel plated with stainless steel balls.  
 ※ST option is available for size 12 to 40

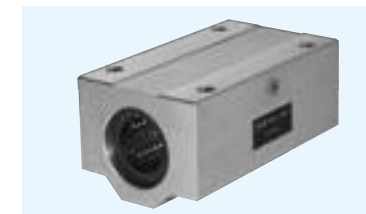


part number	inner contact diameter mm	major dimensions									mounting dimensions						basic load rating		mass g
		h	E	W	L	F	G	T	X	Y	B	C	K	M	f	S	dynamic C <sub>N</sub>	static Co <sub>N</sub>	
TKA 8UU	8	15	17.5	35	32	28	22	5	—	—	25	20	5	M4	9	3.3	423	534	59
TKA 10UU	10	16	20	40	36	31.5	25	5	—	—	29	20	5.5	M5	11	4.3	750	935	90
TKA 12UU	12	18	21.5	43	39	35	28	5	—	—	32	23	5.5	M5	11	4.3	1,020	1,290	116
TKA 16UU	16	22	26.5	53	43	42	35	5	—	—	40	26	6.5	M6	13	5.3	1,250	1,550	205
TKA 20UU	20	25	30	60	54	50	42	5	19	9	45	32	7.5	M8	18	6.6	2,090	2,630	326
TKA 25UU	25	30	39	78	67	60	48	7	22.5	10	60	40	9	M10	22	8.4	3,780	4,720	624
TKA 30UU	30	35	43.5	87	79	70	58	8	26	11.5	68	45	9.5	M10	22	8.4	5,470	6,810	980
TKA 40UU	40	45	54	108	91	90	72	10	26.5	14	86	58	11	M12	26	10.5	6,590	8,230	1,670
TKA 50UU	50	50	66	132	113	105	85	12	43.5	12.5	108	50	12	M16	34	13.5	10,800	13,500	2,950

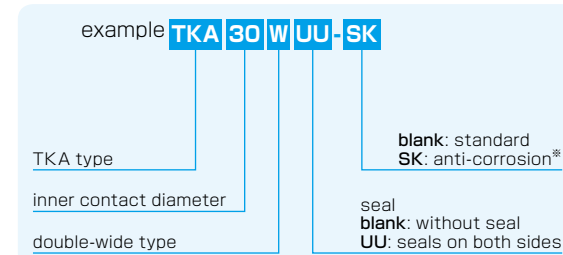
1N≒0.102kgf

# TKA-W TYPE (Euro Standard)

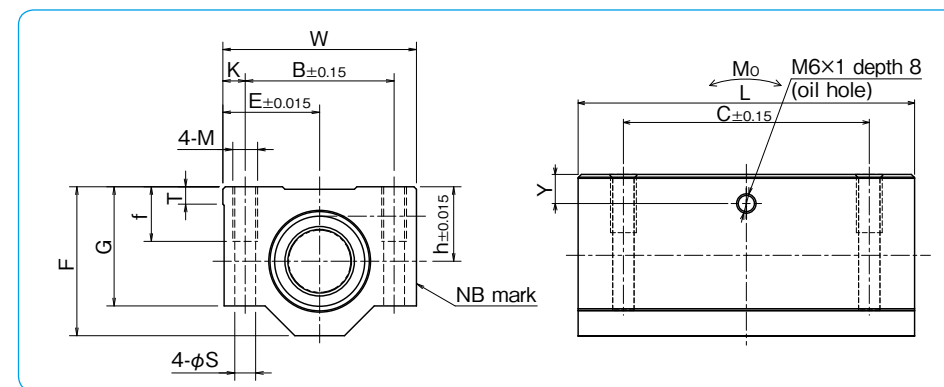
– Double-Wide Block Type –



## part number structure



※For anti-corrosion the load plates are electroless nickel plated with stainless steel balls.

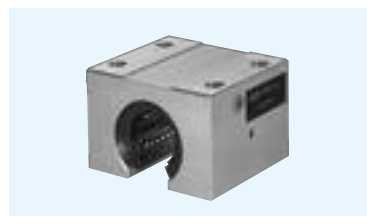


part number	inner contact diameter mm	major dimensions									mounting dimensions						basic load rating		allowable static moment Mo N·m	mass g
		h	E	W	L	F	G	T	Y	B	C	K	M	f	S	dynamic C <sub>N</sub>	static Co <sub>N</sub>			
TKA 8WUU	8	15	17.5	35	62	28	22	5	6.5	25	50	5	M4	9	3.3	685	1,068	6.53	119	
TKA 10WUU	10	16	20	40	70	31.5	25	5	7	29	52	5.5	M5	11	4.3	1,215	1,870	13.4	175	
TKA 12WUU	12	18	21.5	43	76	35	28	5	7.5	32	56	5.5	M5	11	4.3	1,652	2,580	20.9	227	
TKA 16WUU	16	22	26.5	53	84	42	35	5	9.5	40	64	6.5	M6	13	5.3	2,025	3,100	28.2	390	
TKA 20WUU	20	25	30	60	104	50	42	5	9	45	76	7.5	M8	18	6.6	3,390	5,260	62.0	630	
TKA 25WUU	25	30	39	78	130	60	48	7	10	60	94	9	M10	22	8.4	6,120	9,440	149	1,210	
TKA 30WUU	30	35	43.5	87	152	70	58	8	11.5	68	106	9.5	M10	22	8.4	8,860	13,620	247	1,880	
TKA 40WUU	40	45	54	108	176	90	72	10	14	86	124	11	M12	26	10.5	10,680	16,460	349	3,280	

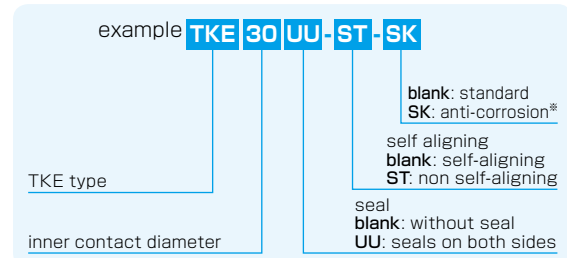
1N≒0.102kgf

# TKE TYPE (Euro Standard)

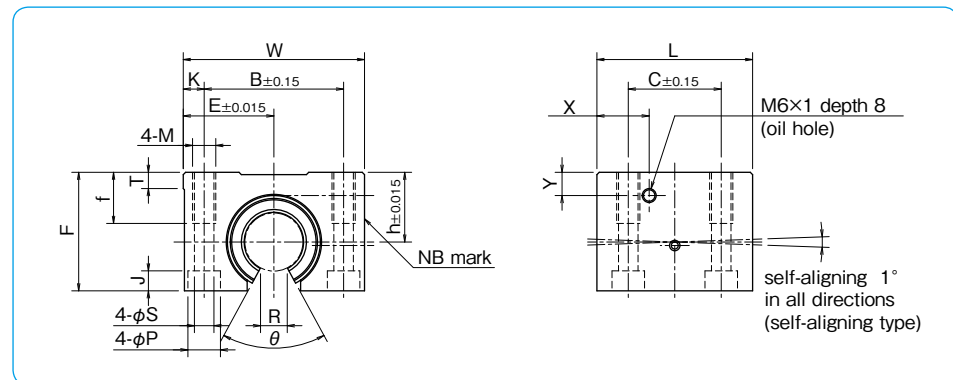
– Open Block Type –



## part number structure



※For anti-corrosion the load plates are electroless nickel plated with stainless steel balls.



part number	inner contact diameter	major dimensions										mounting dimensions										basic load rating		
		h	E	W	L	F	T	R	θ	X	Y	B	C	K	M	f	S	P	J	dynamic C	static Co	mass		
TKE12UU	12	18	21.5	43	39	28	5	6.5	66°	14.5	7.5	32	23	5.5	M5	11	4.3	8	4.5	1,020	1,290	99		
TKE16UU	16	22	26.5	53	43	35	5	9	68°	15.5	9.5	40	26	6.5	M6	13	5.3	9.5	5.5	1,250	1,550	175		
TKE20UU	20	25	30	60	54	42	5	9	55°	19	9	45	32	7.5	M8	18	6.6	11	6.5	2,090	2,630	275		
TKE25UU	25	30	39	78	67	51	7	11.5	57°	22.5	10	60	40	9	M10	22	8.4	14	8.6	3,780	4,720	558		
TKE30UU	30	35	43.5	87	79	60	8	14	57°	26	11.5	68	45	9.5	M10	22	8.4	14	8.6	5,470	6,810	860		
TKE40UU	40	45	54	108	91	77	10	19.5	56°	26.5	14	86	58	11	M12	26	10.5	17.5	10.8	6,590	8,230	1,490		
TKE50UU	50	50	66	132	113	88	12	22.5	54°	43.5	12.5	108	50	12	M16	34	13.5	20	13	10,800	13,500	2,500		

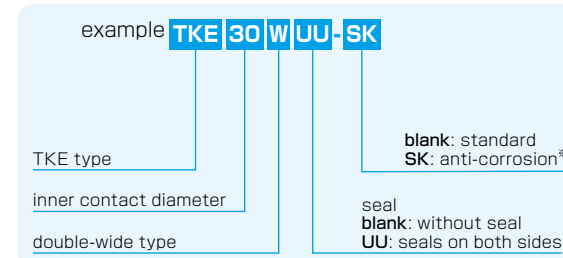
1N≐0.102kgf

# TKE-W TYPE (Euro Standard)

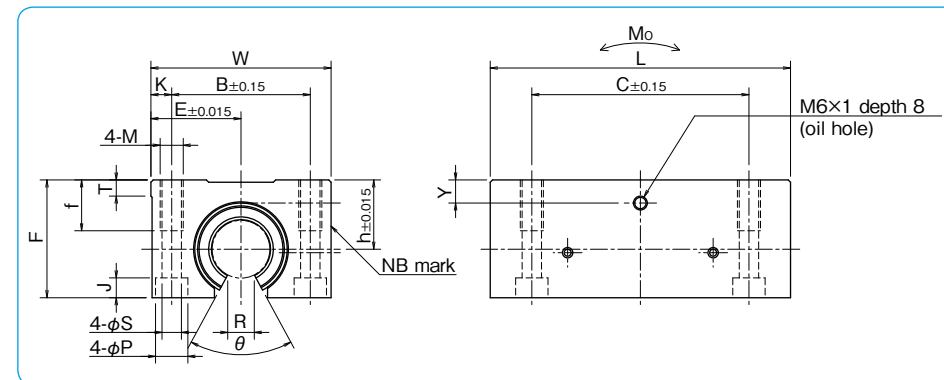
– Double-Wide Open Block Type –



## part number structure



※For anti-corrosion the load plates are electroless nickel plated with stainless steel balls.



part number	inner contact diameter	major dimensions										mounting dimensions										basic load rating			allowable static moment	
		h	E	W	L	F	T	R	θ	Y	B	C	K	M	f	S	P	J	dynamic C	static Co	mass	N	N·m			
TKE12WUU	12	18	21.5	43	76	28	5	6.5	66°	7.5	32	56	5.5	M5	11	4.3	8	4.5	1,652	2,580	11.3	190				
TKE16WUU	16	22	26.5	53	84	35	5	9	68°	9.5	40	64	6.5	M6	13	5.3	9.5	5.5	2,025	3,100	15.2	312				
TKE20WUU	20	25	30	60	104	42	5	9	55°	9	45	76	7.5	M8	18	6.6	11	6.5	3,390	5,260	35.3	505				
TKE25WUU	25	30	39	78	130	51	7	11.5	57°	10	60	94	9	M10	22	8.4	14	8.6	6,120	9,440	85.2	1,050				
TKE30WUU	30	35	43.5	87	152	60	8	14	57°	11.5	68	106	9.5	M10	22	8.4	14	8.6	8,860	13,620	140	1,630				
TKE40WUU	40	45	54	108	176	77	10	19.5	56°	14	86	124	11	M12	26	10.5	17.5	10.8	10,680	16,460	199	2,880				

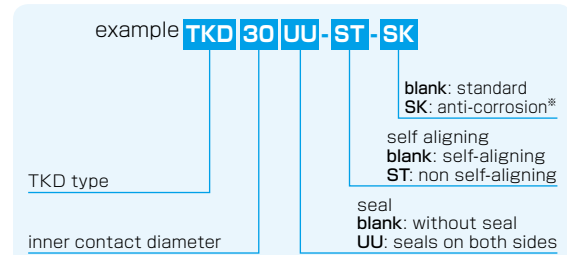
1N≐0.102kgf

# TKD TYPE (Euro Standard)

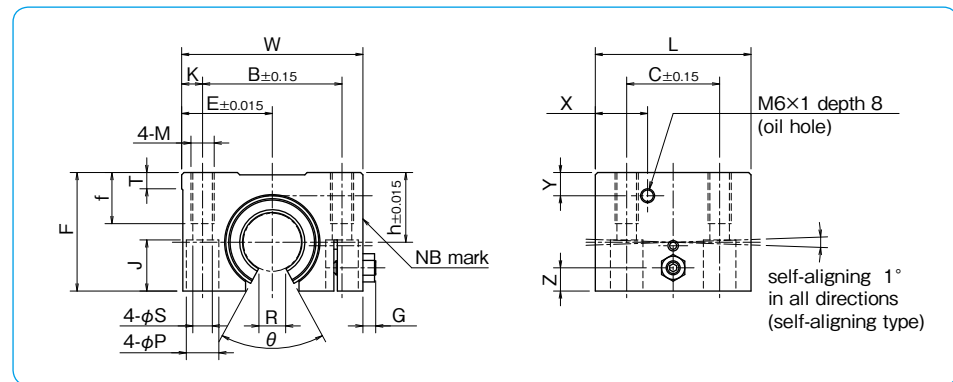
– Clearance Adjustable Open Block Type –



### part number structure



※For anti-corrosion the load plates are electroless nickel plated with stainless steel balls.



part number	inner contact diameter	major dimensions											mounting dimensions										basic load rating			mass
		h	E	W	L	F	G	Z	T	R	θ	X	Y	B	C	K	M	f	S	P	J	dynamic C	static Co	mass N		
TKD12UU	12	18	21.5	43	39	28	3.2	5	5	6.5	66°	14.5	7.5	32	23	5.5	M5	11	4.3	8	11.5	1,020	1,290	99		
TKD16UU	16	22	26.5	53	43	35	3.2	6	5	9	68°	15.5	9.5	40	26	6.5	M6	13	5.3	9.5	14	1,250	1,550	175		
TKD20UU	20	25	30	60	54	42	4	8	5	9	55°	19	9	45	32	7.5	M8	18	6.6	11	18	2,090	2,630	275		
TKD25UU	25	30	39	78	67	51	5.5	10	7	11.5	57°	22.5	10	60	40	9	M10	22	8.4	14	22	3,780	4,720	558		
TKD30UU	30	35	43.5	87	79	60	5.5	12	8	14	57°	26	11.5	68	45	9.5	M10	22	8.4	14	26	5,470	6,810	860		
TKD40UU	40	45	54	108	91	77	5	15	10	19.5	56°	26.5	14	86	58	11	M12	26	10.5	17.5	33	6,590	8,230	1,490		
TKD50UU	50	50	66	132	113	88	7	17	12	22.5	54°	43.5	12.5	108	50	12	M16	34	13.5	20	39	10,800	13,500	2,450		

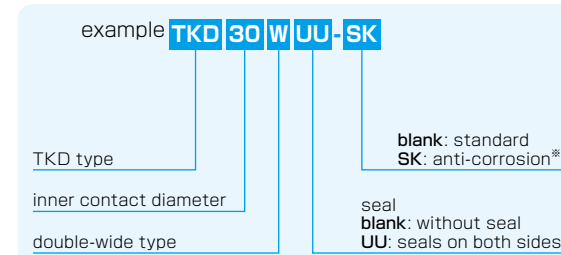
1N≒0.102kgf

# TKD-W TYPE (Euro Standard)

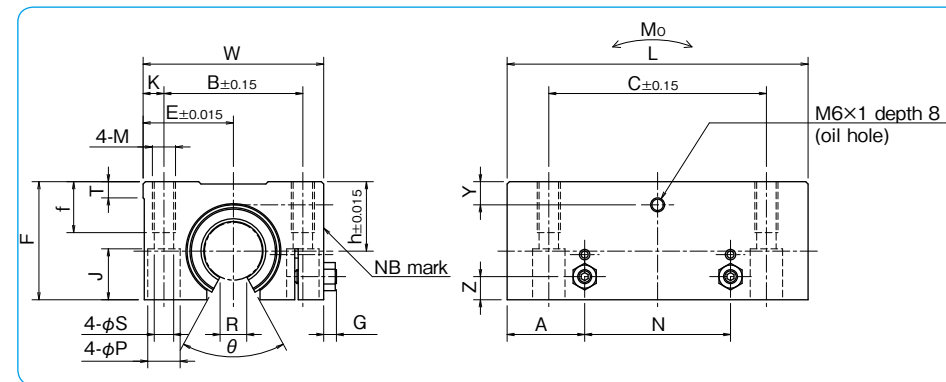
– Clearance Adjustable Double-Wide Open Block Type –



### part number structure



※For anti-corrosion the load plates are electroless nickel plated with stainless steel balls.

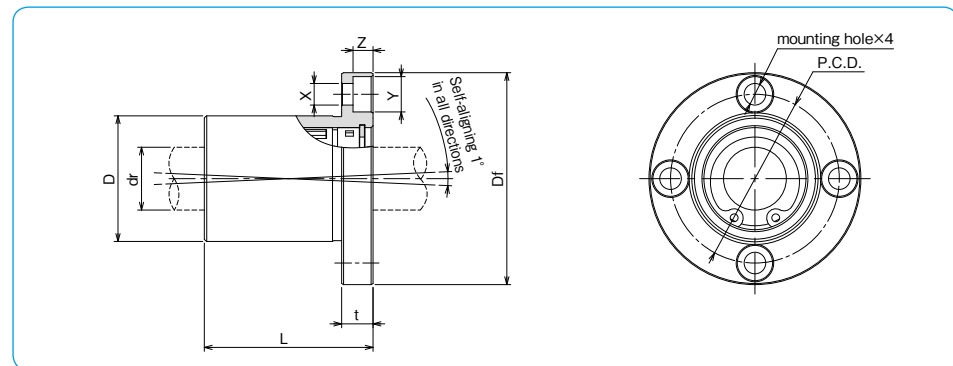


part number	inner contact diameter	major dimensions											mounting dimensions										basic load rating			allowable static moment Mo	mass
		h	E	W	L	F	G	Z	A	N	T	R	θ	Y	B	C	K	M	f	S	P	J	dynamic C	static Co	mass N		
TKD12WUU	12	18	21.5	43	76	28	3.2	5	19.5	37	5	6.5	66°	7.5	32	5.5	M5	11	4.3	8	11.5	1,652	2,580	11.3	190		
TKD16WUU	16	22	26.5	53	84	35	3.2	6	21.5	41	5	9	68°	9.5	40	6.5	M6	13	5.3	9.5	14	2,025	3,100	15.2	312		
TKD20WUU	20	25	30	60	104	42	4	8	27	50	5	9	55°	9	45	7.5	M8	18	6.6	11	18	3,390	5,260	35.3	505		
TKD25WUU	25	30	39	78	130	51	5.5	10	33.5	63	7	11.5	57°	10	60	9.5	M10	22	8.4	14	22	6,120	9,440	85.2	1,050		
TKD30WUU	30	35	43.5	87	152	60	5.5	12	39.5	73	8	14	57°	11.5	68	10.5	M10	22	8.4	14	26	8,860	13,620	140	1,630		
TKD40WUU	40	45	54	108	176	77	5	15	45.5	85	10	19.5	56°	14	86	12.5	M12	26	10.5	17.5	33	10,680	16,460	199	2,880		

1N≒0.102kgf

## TMF TYPE

– Tolerance interchangeable with Asian Metric Slide Bush Type –

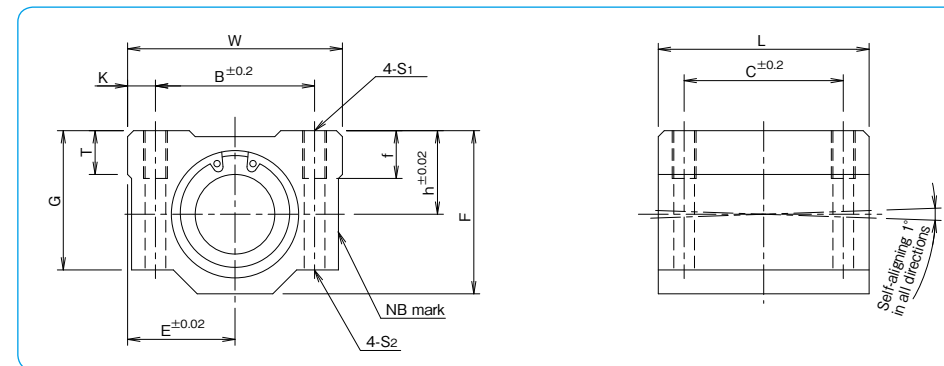
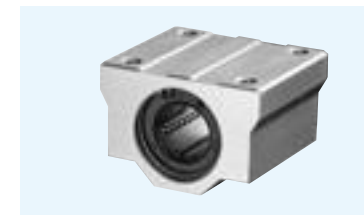


part number	number of ball circuits	dr Recommended shaft diameter - g6 mm	D tolerance μm	major dimensions					basic load rating		shaft diameter mm	
				L mm	Df mm	t mm	flange P.C.D. mm	X×Y×Z mm	C N	Co N		
TMF16CUU	5	16	32	0 -25	43	54	8	43	5.5×9×5.1	1,250	1,550	16
TMF20CUU	6	20	40		54	62	8	51	5.5×9×5.1	2,090	2,630	20
TMF25CUU	6	25	45		67	74	10	60	6.6×11×6.1	3,780	4,720	25

1N≐0.102kgf

## TMA TYPE

– Tolerance interchangeable with Asian Metric Slide Bush Type –



part number	inner contact diameter Recommended shaft diameter - g6 mm	major dimensions										mounting dimensions				basic load rating		shaft diameter mm
		h mm	E mm	W mm	L mm	F mm	G mm	T mm	B mm	C mm	K mm	S1 mm	f mm	S2 mm	C N	Co N		
TMA20CUU	20	21	27	54	53	41	35	11	40	40	7	M6	12	5.2	2,090	2,630	20	
TMA25CUU	25	26	38	76	67	51.5	42	12	54	50	11	M8	18	7	3,780	4,720	25	

1N≐0.102kgf

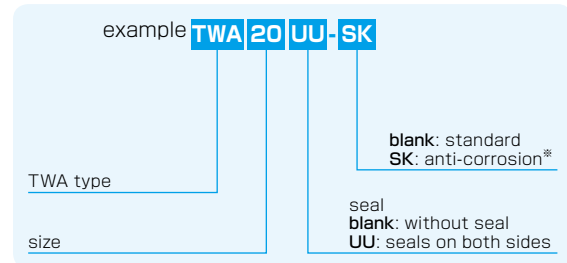


# TWA TYPE (Inch Standard)

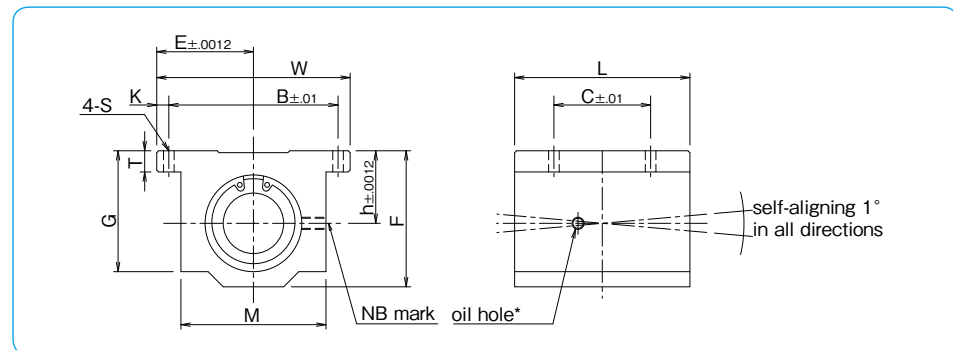
– Block Type –



## part number structure



\*For anti-corrosion the load plates are electroless nickel plated with stainless steel balls.



part number	nom. shaft dia.	major dimensions								mounting dimensions				basic load rating		mass
		h	E	W	L	F	T	G	M	B	C	K	S	dynamic C	static Co	
TWA 4UU	1/4	.4370	.8125	1.625	1.188	.813	.188	.750	1.000	1.312	.750	.156	.156	60	80	.090
TWA 6UU	3/8	.5000	.8750	1.750	1.313	.938	.188	.875	1.125	1.437	.875	.156	.156	95	120	.120
TWA 8UU	1/2	.6870	1.0000	2.000	1.688	1.250	.250	1.125	1.375	1.688	1.000	.156	.156	230	290	.248
TWA 10UU	5/8	.8750	1.2500	2.500	1.938	1.625	.281	1.437	1.750	2.125	1.125	.188	.188	400	500	.465
TWA 12UU	3/4	.9370	1.3750	2.750	2.063	1.750	.313	1.563	1.875	2.375	1.250	.188	.188	470	590	.553
TWA 16UU	1	1.1870	1.6250	3.250	2.813	2.188	.375	1.938	2.375	2.875	1.750	.188	.219	850	1060	1.200
TWA 20UU	1-1/4	1.5000	2.0000	4.000	3.625	2.813	.438	2.500	3.000	3.500	2.000	.250	.219	1230	1530	2.380
TWA 24UU	1-1/2	1.7500	2.3750	4.750	4.000	3.250	.500	2.875	3.500	4.125	2.500	.313	.281	1480	1850	3.460
TWA 32UU	2	2.1250	3.0000	6.000	5.000	4.063	.625	3.625	4.500	5.250	3.250	.375	.406	2430	3040	6.830

\* Provided with push-in oil fitting for 1/4" to 1/2" sizes. Sizes from 5/8" to 2" offer a 1/4-28 tapped hole with a plug for adding a fitting if desired.  
Product of NB Corporation of America

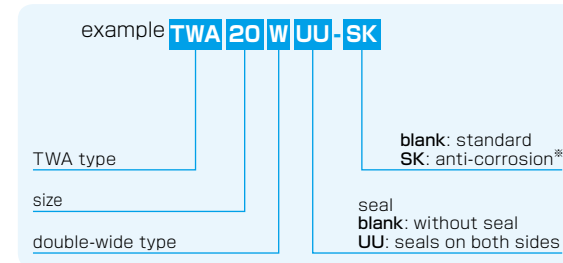
1inch=25.4mm  
1lbs≐0.454kg  
1lbf≐4.448N

# TWA-W TYPE (Inch Standard)

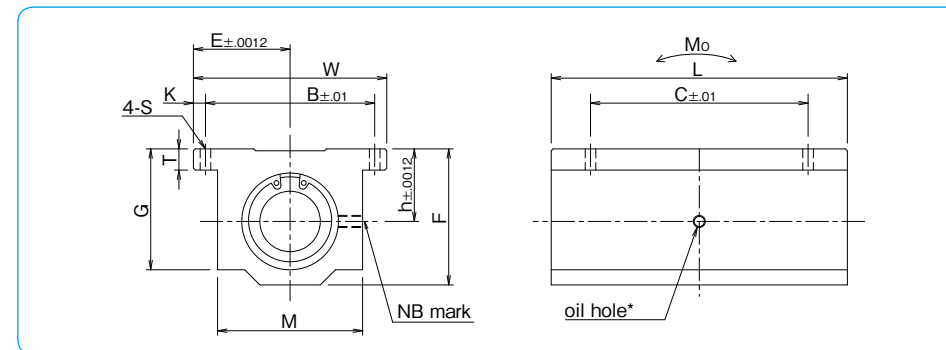
– Double-Wide Block Type –



## part number structure



\*For anti-corrosion the load plates are electroless nickel plated with stainless steel balls.



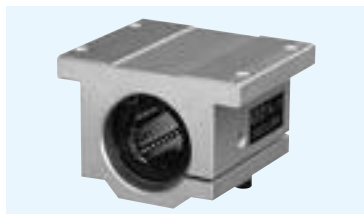
part number	nom. shaft dia.	major dimensions								mounting dimensions				basic load rating		allowable static moment	mass
		h	E	W	L	F	T	G	M	B	C	K	S	dynamic C	static Co	Mo	
TWA 4WUU	1/4	.4370	.8125	1.625	2.500	.813	.188	.750	1.000	1.312	2.000	.156	.156	96	160	26.8	.190
TWA 6WUU	3/8	.5000	.8750	1.750	2.750	.938	.188	.875	1.125	1.437	2.250	.156	.156	150	240	52.2	.250
TWA 8WUU	1/2	.6870	1.0000	2.000	3.500	1.250	.250	1.125	1.375	1.688	2.500	.156	.156	370	580	183	.510
TWA 10WUU	5/8	.8750	1.2500	2.500	4.000	1.625	.281	1.437	1.750	2.125	3.000	.188	.188	640	1000	373	1.000
TWA 12WUU	3/4	.9370	1.3750	2.750	4.500	1.750	.313	1.563	1.875	2.375	3.500	.188	.188	750	1180	496	1.200
TWA 16WUU	1	1.1870	1.6250	3.250	6.000	2.188	.375	1.938	2.375	2.875	4.500	.188	.219	1360	2120	1260	2.400
TWA 20WUU	1-1/4	1.5000	2.0000	4.000	7.500	2.813	.438	2.500	3.000	3.500	5.500	.250	.219	1970	3060	2100	5.000
TWA 24WUU	1-1/2	1.7500	2.3750	4.750	9.000	3.250	.500	2.875	3.500	4.125	6.500	.313	.281	2370	3700	2900	7.800

\* Provided with push-in oil fitting for 1/4" to 1/2" sizes. Sizes from 5/8" to 1-1/2" offer a 1/4-28 tapped hole with a plug for adding a fitting if desired.  
Product of NB Corporation of America

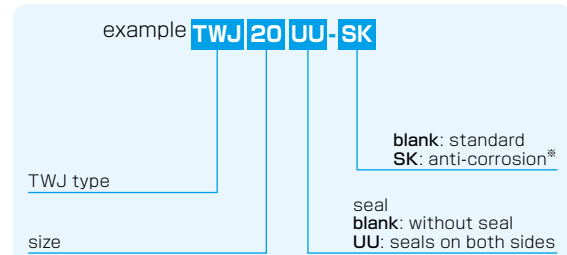
1inch=25.4mm  
1lbs≐0.454kg  
1lbf≐4.448N  
1lbf · in≐0.112N · m

# TWJ TYPE (Inch Standard)

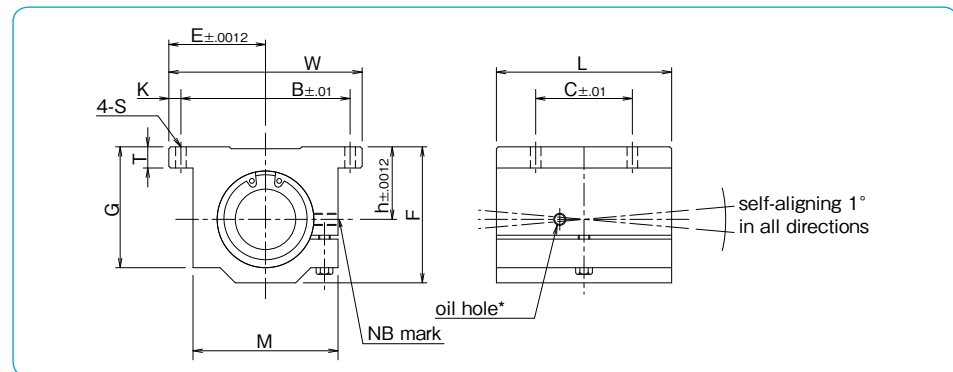
— Clearance Adjustable Block Type —



### part number structure



\*For anti-corrosion the load plates are electroless nickel plated with stainless steel balls.



part number	nom. shaft dia. inch	major dimensions								mounting dimensions				basic load rating		mass lbs
		h	E	W	L	F	T	G	M	B	C	K	S	C lbf	Co lbf	
TWJ 4UU	1/4	.4370	.8125	1.625	1.188	.813	.188	.750	1.000	1.312	.750	.156	.156	60	80	.090
TWJ 6UU	3/8	.5000	.8750	1.750	1.313	.938	.188	.875	1.125	1.437	.875	.156	.156	95	120	.120
TWJ 8UU	1/2	.6870	1.0000	2.000	1.688	1.250	.250	1.125	1.375	1.688	1.000	.156	.156	230	290	.248
TWJ 10UU	5/8	.8750	1.2500	2.500	1.938	1.625	.281	1.437	1.750	2.125	1.125	.188	.188	400	500	.465
TWJ 12UU	3/4	.9370	1.3750	2.750	2.063	1.750	.313	1.563	1.875	2.375	1.250	.188	.188	470	590	.553
TWJ 16UU	1	1.1870	1.6250	3.250	2.813	2.188	.375	1.938	2.375	2.875	1.750	.188	.219	850	1060	1.200
TWJ 20UU	1-1/4	1.5000	2.0000	4.000	3.625	2.813	.438	2.500	3.000	3.500	2.000	.250	.219	1230	1530	2.380
TWJ 24UU	1-1/2	1.7500	2.3750	4.750	4.000	3.250	.500	2.875	3.500	4.125	2.500	.313	.281	1480	1850	3.460
TWJ 32UU	2	2.1250	3.0000	6.000	5.000	4.063	.625	3.625	4.500	5.250	3.250	.375	.406	2430	3040	6.830

\* Provided with push-in oil fitting for 1/4" to 1/2" size. Sizes from 5/8" to 2" offer a 1/4-28 tapped hole with a plug for adding a fitting if desired.  
Product of NB Corporation of America

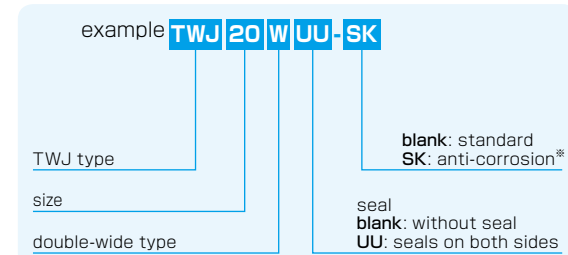
1inch=25.4mm  
1lbs≈0.454kg  
1lbf≈4.448N

# TWJ-W TYPE (Inch Standard)

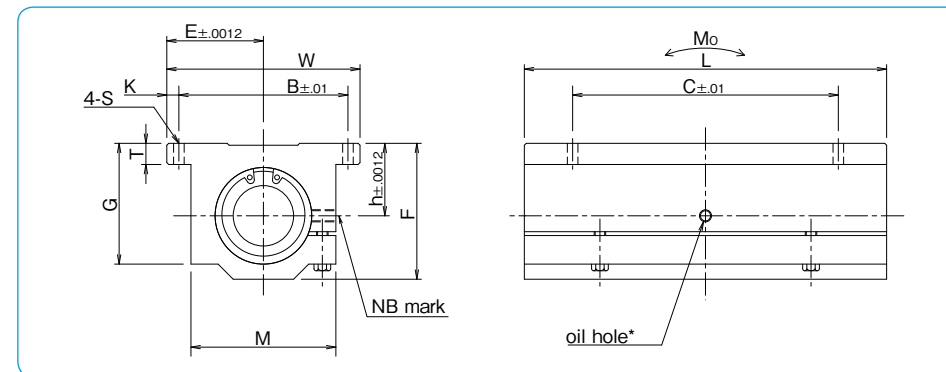
— Clearance Adjustable Double-Wide Block Type —



### part number structure



\*For anti-corrosion the load plates are electroless nickel plated with stainless steel balls.



part number	nom. shaft dia. inch	major dimensions								mounting dimensions				basic load rating		allowable static moment	mass lbs
		h	E	W	L	F	T	G	M	B	C	K	S	C lbf	Co lbf	Mo lbf·in	
TWJ 4WUU	1/4	.4370	.8125	1.625	2.500	.813	.188	.750	1.000	1.312	2.000	.156	.156	96	160	26.8	.190
TWJ 6WUU	3/8	.5000	.8750	1.750	2.750	.938	.188	.875	1.125	1.437	2.250	.156	.156	150	240	52.2	.250
TWJ 8WUU	1/2	.6870	1.0000	2.000	3.500	1.250	.250	1.125	1.375	1.688	2.500	.156	.156	370	580	183	.510
TWJ 10WUU	5/8	.8750	1.2500	2.500	4.000	1.625	.281	1.437	1.750	2.125	3.000	.188	.188	640	1000	373	1.000
TWJ 12WUU	3/4	.9370	1.3750	2.750	4.500	1.750	.313	1.563	1.875	2.375	3.500	.188	.188	750	1180	496	1.200
TWJ 16WUU	1	1.1870	1.6250	3.250	6.000	2.188	.375	1.938	2.375	2.875	4.500	.188	.219	1360	2120	1260	2.400
TWJ 20WUU	1-1/4	1.5000	2.0000	4.000	7.500	2.813	.438	2.500	3.000	3.500	5.500	.250	.219	1970	3060	2100	5.000
TWJ 24WUU	1-1/2	1.7500	2.3750	4.750	9.000	3.250	.500	2.875	3.500	4.125	6.500	.313	.281	2370	3700	2900	7.800

\* Provided with push-in oil fitting for 1/4" to 1/2" size. Sizes from 5/8" to 1-1/2" offer a 1/4-28 tapped hole with a plug for adding a fitting if desired.  
Product of NB Corporation of America

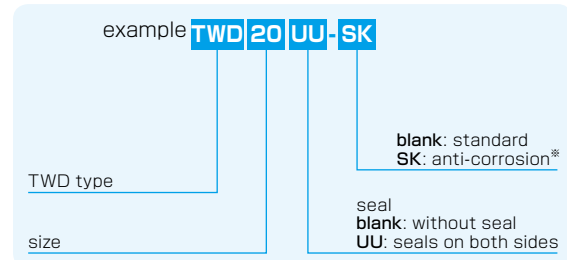
1inch=25.4mm  
1lbs≈0.454kg  
1lbf≈4.448N  
1lbf·in≈0.112N·m

# TWD TYPE (Inch Standard)

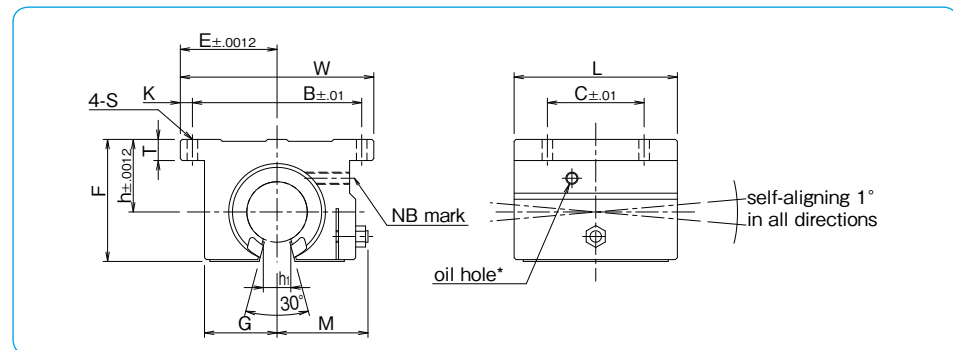
– Open Block Type –



## part number structure



※For anti-corrosion the load plates are electroless nickel plated with stainless steel balls.



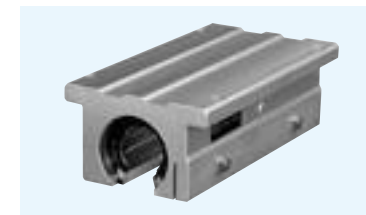
part number	nom. shaft dia. inch	major dimensions									mounting dimensions				basic load rating		mass lbs
		h	E	W	L	F	T	G	M	h <sub>1</sub>	B	C	K	S	C	Co	
TWD 8UU	1/2	.6870	1.000	2.000	1.500	1.100	.250	.688	.86	.260	1.688	1.000	.156	.156	230	290	.188
TWD 10UU	5/8	.8750	1.2500	2.500	1.750	1.405	.281	.875	1.06	.319	2.125	1.125	.188	.188	400	500	.365
TWD 12UU	3/4	.9370	1.3750	2.750	1.875	1.535	.315	.937	1.12	.386	2.375	1.250	.188	.188	470	590	.452
TWD 16UU	1	1.1870	1.6250	3.250	2.625	1.975	.375	1.188	1.40	.512	2.875	1.750	.188	.218	850	1060	1.010
TWD 20UU	1-1/4	1.5000	2.0000	4.000	3.375	2.485	.437	1.500	1.88	.596	3.500	2.000	.250	.218	1230	1530	1.980
TWD 24UU	1-1/2	1.7500	2.3750	4.750	3.750	2.910	.500	1.750	2.12	.681	4.125	2.500	.313	.281	1480	1850	2.950
TWD 32UU	2	2.1250	3.0000	6.000	4.750	3.660	.625	2.250	2.70	.933	5.250	3.250	.375	.406	2430	3040	5.840

\* Provided with push-in oil fitting for 1/2" size only. Sizes from 5/8" to 2" offer a 1/4-28 tapped hole with a plug for adding a fitting if desired.  
Product of NB Corporation of America

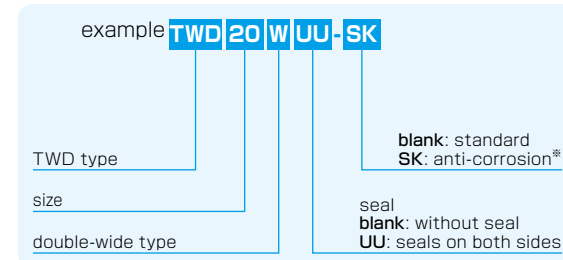
1inch=25.4mm  
1lbs≈0.454kg  
1lbf≈4.448N

# TWD-W TYPE (Inch Standard)

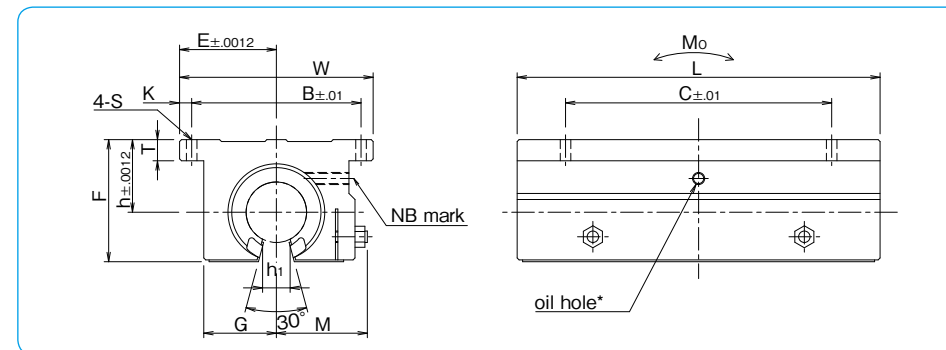
– Double-Wide Open Block Type –



## part number structure



※For anti-corrosion the load plates are electroless nickel plated with stainless steel balls.



part number	nom. shaft dia. inch	major dimensions									mounting dimensions				basic load rating		allowable static moment	mass lbs
		h	E	W	L	F	T	G	M	h <sub>1</sub>	B	C	K	S	C	Co	Mo	
TWD 8WUU	1/2	.6870	1.000	2.000	3.500	1.100	.250	.688	.86	.260	1.688	2.500	.156	.156	370	580	128	.400
TWD 10WUU	5/8	.8750	1.2500	2.500	4.000	1.405	.281	.875	1.06	.319	2.125	3.000	.188	.188	640	1000	164	.800
TWD 12WUU	3/4	.9370	1.3750	2.750	4.500	1.535	.315	.937	1.12	.386	2.375	3.500	.188	.188	750	1180	283	1.000
TWD 16WUU	1	1.1870	1.6250	3.250	6.000	1.975	.375	1.188	1.40	.512	2.875	4.500	.188	.218	1360	2120	719	2.000
TWD 20WUU	1-1/4	1.5000	2.0000	4.000	7.500	2.485	.437	1.500	1.88	.569	3.500	5.500	.250	.218	1970	3060	1200	4.200
TWD 24WUU	1-1/2	1.7500	2.3750	4.750	9.000	2.910	.500	1.750	2.12	.681	4.125	6.500	.313	.281	2370	3700	1650	6.700

\* Provided with push-in oil fitting for 1/2" size only. Sizes from 5/8" to 1-1/2" offer a 1/4-28 tapped hole with a plug for adding a fitting if desired.  
Product of NB Corporation of America

1inch=25.4mm  
1lbs≈0.454kg  
1lbf≈4.448N  
1lbf · in≈0.112N · m

# STROKE BUSH SLIDE ROTARY BUSH

## STROKE BUSH

STRUCTURE AND ADVANTAGES	E-2
ALLOWABLE SPEED FOR COMBINED ROTATION AND STROKE MOTION	E-2
RATED LOAD AND RATED LIFE	E-2
FIT	E-3
USE AND HANDLING PRECAUTIONS	E-5
DIMENSION TABLE	E-6~

## SLIDE ROTARY BUSH SRE SERIES

STRUCTURE AND ADVANTAGES	E-10
RATED LOAD AND RATED LIFE	E-12
APPLICATION EXAMPLES	E-14
USE AND HANDLING PRECAUTIONS	E-15
FELT SEAL	E-15
DIMENSION TABLE	E-16~

## SLIDE ROTARY BUSH RK TYPE

STRUCTURE AND ADVANTAGES	E-26
LIFE CALCULATION	E-26
DIMENSION TABLE	E-27

# STROKE BUSH

The NB stroke bush is a linear and rotational motion mechanism utilizing the rotational motion of ball elements between an outer cylinder and a shaft. It is compact and can withstand high loading.

The retainer is made of a light metal alloy with high wear resistance. Smooth motion is achieved under high-speed and high-acceleration conditions.

Although the linear motion is limited to a specific stroke length, the combined rotation and stroke motion is achieved with very little frictional resistance. The NB stroke bush can be conveniently used in a variety of applications.

## STRUCTURE AND ADVANTAGES

The retainer in the NB stroke bush positions the ball elements in a zigzag arrangement. The inner surface of the outer cylinder is finished by precision grinding, resulting in smooth motion of the ball elements. Each of the ball elements is held in a separate hole and smooth motion is achieved for both rotational motion and linear motion. The retainer moves half the length of the linear motion, therefore, the stroke length is limited to approximately twice the length the retainer can travel within the outer cylinder.

### High Precision

High-carbon chromium bearing steel is used for the outer cylinder. It is heat treated and ground to achieve high rigidity and accuracy.

### Ease of Mounting and Replacement

The highly accurate fabrication of the NB stroke bush results in uniform dimensions, facilitating parts replacement and housing fabrication.

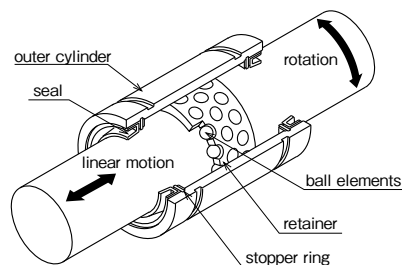
### Light Weight and Space Saving

The use of an aluminum alloy for the retainer and the thin-wall outer cylinder makes the NB stroke bush light weight and compact.

### Lubrication



One lubrication hole is provided on each oil groove of the outer cylinder, making it easy to lubricate the SR stroke bush.

Figure E-1 Structure of SR Stroke Bush



## TYPE

Table E-1 Type

	Standard Type	Double Retainer Type
SR TYPE	 P.E-6	SR-B TYPE  P.E-8

## ALLOWABLE SPEED FOR COMBINED ROTATION AND STROKE MOTION

The allowable speed for combined rotation and stroke motion is obtained from the following equation:

The value of DN is given as follows depending on the lubrication method.

$$DN \geq dm \cdot n + 10 \cdot S \cdot n_1$$

for oil lubrication	DN=600,000
for grease lubrication	DN=300,000

note.....n ≤ 5,000 S · n<sub>1</sub> ≤ 50,000

## RATED LOAD AND RATED LIFE

The relationship between the rated load and life of the stroke bush is expressed as follows:

$$L = \left( \frac{f_H \cdot f_T \cdot f_C}{f_W} \cdot \frac{C}{P} \right)^3 \times 10^6$$

L: rated life  
 f<sub>H</sub>: hardness coefficient  
 f<sub>T</sub>: temperature coefficient f<sub>C</sub>: contact coefficient  
 f<sub>W</sub>: applied load coefficient  
 C: basic dynamic load rating (N)  
 P: applied load (N)  
 ※Refer to page Eng-5 for the coefficients.

●For combined rotation and stroke motion

$$L_h = \frac{L}{60 \sqrt{(dm \cdot n)^2 + (10 \cdot S \cdot n_1)^2} / dm}$$

●For stroke motion

$$L_h = \frac{L}{600 \cdot S \cdot n_1 / (\pi \cdot dm)}$$

L<sub>h</sub>: life time (hr) S: stroke length (mm)  
 n: revolutions per min. (rpm)  
 n<sub>1</sub>: number of cycles per minute (cpm)  
 dm: ball pitch diameter (mm) ≅ 1.15 dr

## FIT

The fits generally used between the shaft and the housing are listed in Table E-2. The inner contact diameters of the SR stroke bush are listed in the dimension tables. The shaft diameter tolerance should be selected to achieve the desired amount of radial clearance (see Table E-3). Please pay attention that high-speed linear motion can cause the retainer to slip due to inertial force. In selecting a shaft, please take note of:  
 Hardness: 58HRC or more (refer to hardness coefficient on page Eng-5) recommended  
 Surface Roughness: less than Ra0.4 recommended

Table E-2

normal operating condition		vertical use or highly accurate case	
shaft	housing	shaft	housing
k5,m5	H6,H7	n5,p6	J6,J7

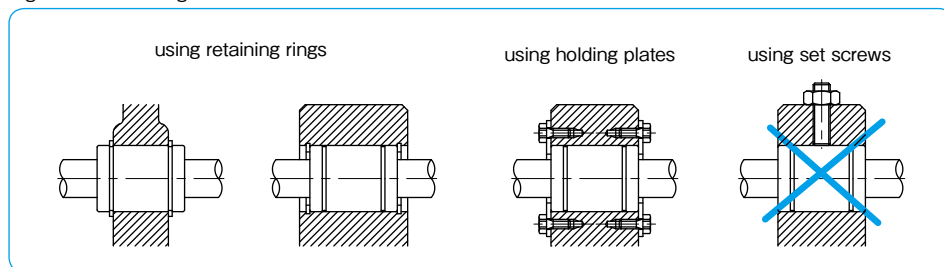
Table E-3 Radial Clearance Negative Limit

part number	limit (μm)
6	- 2
8~10	- 3
12~16	- 4
20~30	- 5
35~50	- 6
60~80	- 8
100	-10

## MOUNTING

Examples of mounting methods of Stroke Bush are shown in Figure E-2. To avoid deformation, do not fix outer cylinder by using set screw.

Figure E-2 Mounting Method



## LUBRICATION

Appropriate lubrication is needed to ensure the accuracy of NB Stroke Bush and to maintain bearing life. Anti-rust oil is applied to NB Stroke Bush prior to shipment. The NB selected anti-rust oil has a little to no effect on lubricants, however, please apply lubricant only after cleaning Stroke Bush with kerosene, etc.

### Grease Lubricant

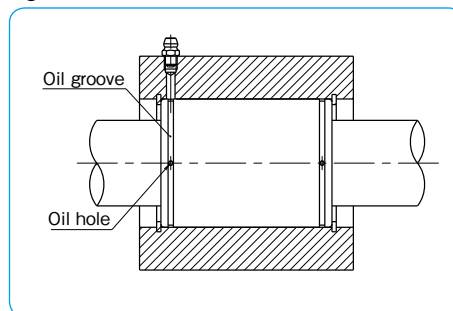
Prior to usage, please apply grease, and re-lubricate periodically according to the operating conditions. (Lithium soap-based grease is recommended.) Relubrication can be done by directly applying grease inside the ball bush or by using oil hole as Figure E-3 shows.

A special low dust generation grease is optional for clean room application. Please refer to page Eng-39.

### Oil Lubricant

Prior to usage, please apply oil directly to the shaft surface or by using oil hole as Figure E-3 shows. Turbine oil (ISO standard VG32-68) is recommended.

Figure E-3 Oil hole



## USE AND HANDLING PRECAUTIONS

### Maximum Stroke

The maximum stroke in the dimension table is the stroke limit.

### Retainer Slippage

The retainer can slip under high-speed motion, vertical application, unbalanced-loading, and vibrating conditions. It is suggested that the stroke to be set as a 80% of the maximum stroke in the dimension table. It is also recommended that the bush be cycled to perform the maximum stroke several times, so that the retainer returns to its central position.

### Accuracy

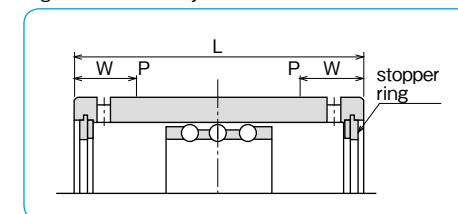
The accuracies of the SR stroke bush are stated in the dimension tables. Since the outer cylinder deforms due to tension from the retaining ring, the dimension of the outer cylinder is an average value at points P, where calculated using the following equation:

$$W = 4 + \frac{L}{8}$$

W: the distance from the end of the outer cylinder to measurement point P

L: the length of the outer cylinder

Figure E-4 Outer Cylinder Measurement Points



### Operating Temperature Range

The operating temperature is ranging from -20 °C to 110°C. In case of operation at temperature outside this range, please contact NB.

### Dust Prevention

Dust and other contaminations affect the bush's lifetime and accuracy if dust or particle enter into inside of bush. Although seals work under a normal environment, in a harsh environment, it is necessary to attach protective covers.

# SR TYPE

—Standard Type—

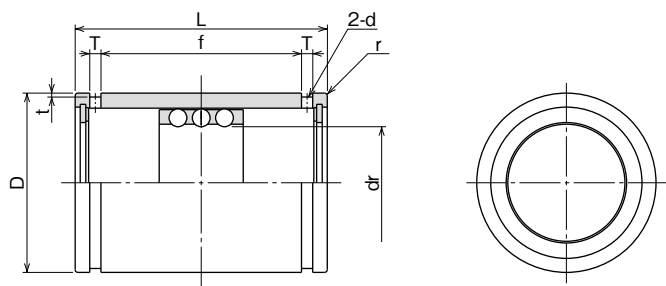


## part number structure

example **SR 20**

SR type

inner contact diameter (dr)



part number	maximum stroke mm	number of rows	dr		D		major dimensions					basic load rating		mass g	
			mm	tolerance μm	mm	tolerance μm	L	f	T	t	d	r	dynamic C N		static Co N
SR 6	19	3	6	+22	12	0	20	11.3	1.1	0.5	1	0.5	216	147	8.9
SR 8	24	3	8	+13	15	-11	24	17.1	1.5	0.5	1.2	0.5	343	245	15.6
SR 10	30	3	10	+19	19	0	30	22.7	1.5	0.5	1.2	0.5	637	461	28.8
SR 12	32	3	12	+27	23	-13	32	24.5	1.5	0.5	1.2	0.5	1,070	813	42
SR 16	40	3	16	+16	28	-13	37	29.1	1.5	0.7	1.3	0.5	1,180	990	71
SR 20	50	3	20	+33	32	0	45	35.8	2	0.7	1.5	0.5	1,260	1,170	99
SR 25	50	3	25	+20	37	-16	45	35.8	2	0.7	1.6	1	1,330	1,330	117
SR 30	82	3	30	+45	45	-19	65	53.5	2.5	1	2	1	2,990	3,140	205
SR 35	92	3	35	+52	52	0	70	58.5	2.5	1	2	1.5	3,140	3,530	329
SR 40	108	3	40	+41	60	0	80	68.3	2.5	1	2	1.5	4,120	4,800	516
SR 50	138	3	50	+25	72	-19	100	86.4	3	1	2.5	1.5	5,540	6,910	827
SR 60	138	3	60	+49	85	0	100	86.4	3	1	2.5	2	5,980	8,230	1,240
SR 80	132	3	80	+30	110	-22	100	86	3	1.5	2.5	2	7,840	12,200	2,050
SR100	132	3	100	+58/+36	130	0/-25	100	86	3	1.5	2.5	2	8,430	14,700	2,440

1N≒0.102kgf

# SR-UU TYPE

—Standard Type with Seals—



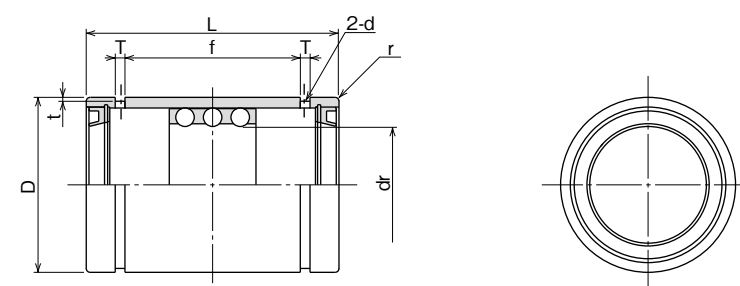
## part number structure

example **SR 20 UU**

SR type

inner contact diameter (dr)

seals on both sides



part number	maximum stroke mm	number of rows	dr		D		major dimensions					basic load rating		mass g	
			mm	tolerance μm	mm	tolerance μm	L	f	T	t	d	r	dynamic C N		static Co N
SR 8UU	14	3	8	+22	15	0/-11	24	12.3	1.5	0.5	1.2	0.5	343	245	15.6
SR 10UU	16	3	10	+13	19	0	30	15.5	1.5	0.5	1.2	0.5	637	461	28.8
SR 12UU	18	3	12	+27	23	-13	32	17.1	1.5	0.5	1.2	0.5	1,070	813	42
SR 16UU	26	3	16	+16	28	-13	37	21.1	1.5	0.7	1.3	0.5	1,180	990	71
SR 20UU	36	3	20	+33	32	0	45	26.8	2	0.7	1.5	0.5	1,260	1,170	99
SR 25UU	36	3	25	+20	37	-16	45	26.8	2	0.7	1.6	1	1,330	1,330	117
SR 30UU	68	3	30	+45	45	-16	65	45.1	2.5	1	2	1	2,990	3,140	205
SR 35UU	76	3	35	+52	52	0	70	50.1	2.5	1	2	1.5	3,140	3,530	329
SR 40UU	91	3	40	+41	60	0	80	59.9	2.5	1	2	1.5	4,120	4,800	516
SR 50UU	116	3	50	+25	72	-19	100	77.4	3	1	2.5	1.5	5,540	6,910	827
SR 60UU	117	3	60	+49	85	0	100	77.4	3	1	2.5	2	5,980	8,230	1,240
SR 80UU	110	3	80	+30	110	-22	100	77	3	1.5	2.5	2	7,840	12,200	2,050
SR100UU	110	3	100	+58/+36	130	0/-25	100	77	3	1.5	2.5	2	8,430	14,700	2,440

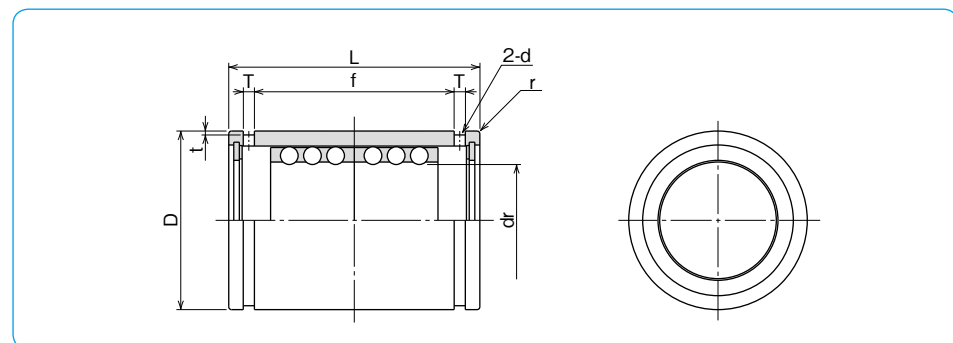
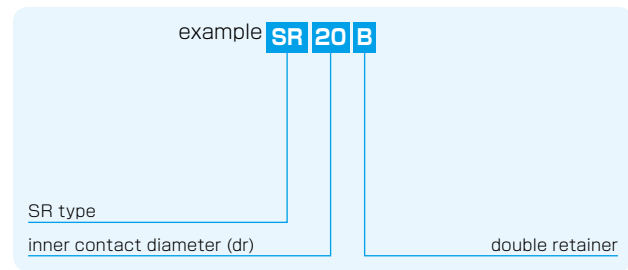
1N≒0.102kgf

# SR-B TYPE

–Double Retainer Type–



## part number structure

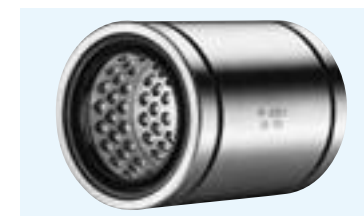


part number	maximum stroke mm	number of rows	major dimensions										basic load rating		mass g	
			dr mm	tolerance $\mu\text{m}$	D mm	tolerance $\mu\text{m}$	L mm	tolerance mm	f mm	T mm	t mm	d mm	r mm	dynamic C N		static Co N
SR 8B	8	6	8	+22	15	0/-11	24		17.1	1.5	0.5	1.2	0.5	549	490	16.8
SR 10B	8	6	10	+13	19	0	30	0	22.7	1.5	0.5	1.2	0.5	1,030	931	31.2
SR 12B	8	6	12	+27	23	-13	32	-0.2	24.5	1.5	0.5	1.2	0.5	1,720	1,630	46
SR 16B	16	6	16	+16	28		37		29.1	1.5	0.7	1.3	0.5	1,910	1,980	75
SR 20B	20	6	20		32		45		35.8	2	0.7	1.5	0.5	2,060	2,320	106
SR 25B	20	6	25	+33	37	0	45		35.8	2	0.7	1.6	1	2,170	2,670	125
SR 30B	44	6	30	+20	45	-16	65		53.5	2.5	1	2	1	4,800	6,270	220
SR 35B	54	6	35		52		70	0	58.5	2.5	1	2	1.5	5,050	7,060	346
SR 40B	66	6	40	+41	60	0	80	-0.3	68.3	2.5	1	2	1.5	6,710	9,560	540
SR 50B	88	6	50	+25	72	-19	100		86.4	3	1	2.5	1.5	8,970	13,800	862
SR 60B	88	6	60	+49	85	0	100		86.4	3	1	2.5	2	9,700	16,500	1,290
SR 80B	76	6	80	+30	110	-22	100	0	86	3	1.5	2.5	2	12,700	24,300	2,110
SR100B	76	6	100	+58/+36	130	0/-25	100	-0.4	86	3	1.5	2.5	2	13,700	29,400	2,520

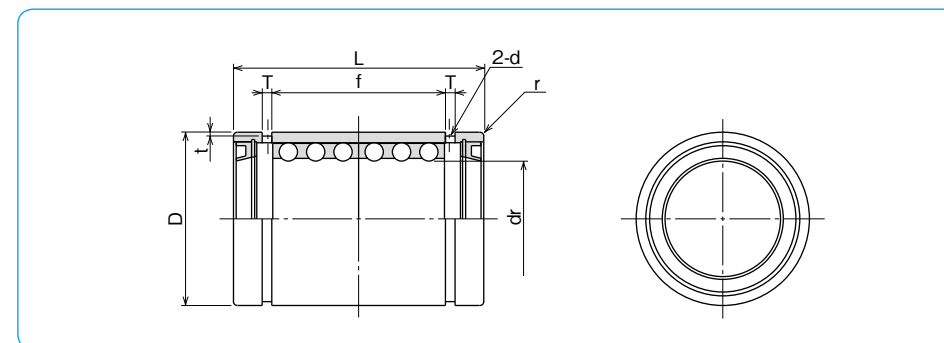
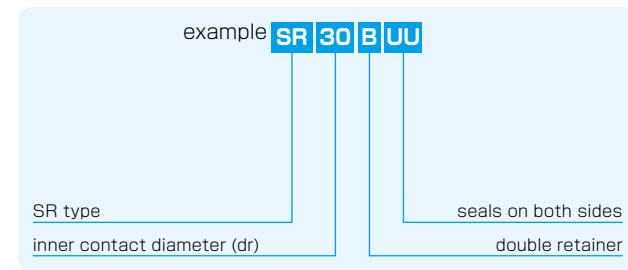
1N $\approx$ 0.102kgf

# SR-BUU TYPE

–Double Retainer Type with Seals–



## part number structure



part number	maximum stroke mm	number of rows	major dimensions										basic load rating		mass g	
			dr mm	tolerance $\mu\text{m}$	D mm	tolerance $\mu\text{m}$	L mm	tolerance mm	f mm	T mm	t mm	d mm	r mm	dynamic C N		static Co N
SR 30BUU	30	6	30	+33/+20	45	0/-16	65		45.1	2.5	1	2	1	4,800	6,270	220
SR 35BUU	38	6	35		52	0	70	0	50.1	2.5	1	2	1.5	5,050	7,060	346
SR 40BUU	49	6	40	+25	60	-19	80	-0.3	59.9	2.5	1	2	1.5	6,710	9,560	540
SR 50BUU	66	6	50		72		100		77.4	3	1	2.5	1.5	8,970	13,800	862
SR 60BUU	67	6	60	+49	85	0	100		77.4	3	1	2.5	2	9,700	16,500	1,290
SR 80BUU	54	6	80	+30	110	-22	100	0	77	3	1.5	2.5	2	12,700	24,300	2,110
SR100BUU	54	6	100	+58/+36	130	0/-25	100	-0.4	77	3	1.5	2.5	2	13,700	29,400	2,520

1N $\approx$ 0.102kgf



# SLIDE ROTARY BUSH SRE SERIES

The NB Slide Rotary Bush SRE Series provides rotary and linear motion functions. Linear motion with unlimited stroke and rotary motion are merged into a single bush resulting in great space saving compared with a combination of any conventional bearings. There are three types; standard, flange, and unit type with sizes ranging from 6 to 40.

## STRUCTURE AND ADVANTAGES

NB Slide Rotary Bush features a special retainer fitted into cylindrical steel outer cylinder and is designed to guide steel balls for smooth circulation in its retainer. The retainer is also designed to rotate freely towards radial direction and offers smooth linear and rotary motions.

### Smooth Operation

The inner surface of the outer cylinder allows smooth operation of linear and rotary motions while maintaining a uniform load distribution.

### High Load Capacity

The use of comparatively large diameter steel balls enhances the load capacity.

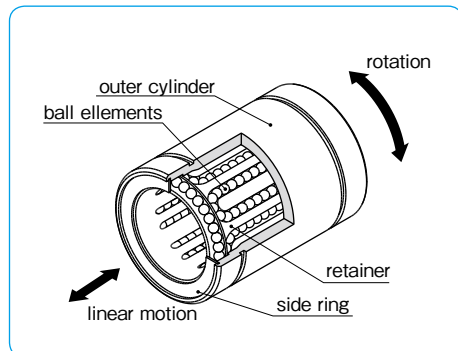
### Smooth Rotation

The positioning of the steel balls in a cylindrical formation inside the retainer enables a smooth rotational motion regardless of the installation direction.

### Complete Interchangeability

NB Slide Rotary series is completely interchangeable with SM type Slide Bush, SMK type Flanged Slide Bush and SMA(W) type, AK(W) type and SMP type.

Figure E-5 Structure of Slide Rotary Bush SRE type



## TYPE

Table E-4 Type

Standard Type		Square Flange Type	
SRE TYPE		SREK TYPE	
	P.E-16		P.E-18
Block Type		Unit	
SMA-R TYPE		SMA-RW TYPE	
			
	P.E-20		P.E-21
AK-R TYPE		AK-RW TYPE	
			
	P.E-22		P.E-23
SMP-R TYPE			
			
	P.E-24		

**RATED LOAD AND RATED LIFE**

The rated life and load rating are defined as follows.

**Rated Life**

When a group of slide rotary bearings of the same type are used under the same conditions, the rated life is defined as the total number of rotations made without causing flaking by 90% of the bearings.

**Basic Dynamic Load Rating**

The basic dynamic load rating is defined as the load with a constant magnitude and direction at which a rated life of 10<sup>6</sup> rotations can be achieved.

**Basic Static Load Rating**

The basic static load rating is defined as the load with a constant direction that would result in a certain contact stress at the mid-point of the rolling element and tracking surface that are experiencing the maximum stress.

Equation (1) gives the relation between the applied load and the rated life of the slide rotary bush.

$$L = \left( \frac{f_H \cdot f_T \cdot f_C}{f_W} \cdot \frac{C}{P} \right)^3 \times 10^6 \dots\dots\dots (1)$$

L: rated life (rotations) f<sub>H</sub>: hardness coefficient  
 f<sub>T</sub>: temperature coefficient f<sub>C</sub>: contact coefficient  
 f<sub>W</sub>: applied load coefficient C: basic dynamic load rating (N)  
 P: applied load (N)  
 ※Refer to page Eng-5 for the coefficients.

Since the slide rotary bush is used in applications with combined linear and rotary motions, the life time is obtained using Equations (2) and (3).

●When linear and rotary motions are combined

$$L_h = \frac{L}{60\sqrt{(dm \cdot n)^2 + (10 \cdot S \cdot n_1)^2} / dm} \dots\dots\dots (2)$$

●When only linear motion is involved

$$L_h = \frac{L}{600 \cdot S \cdot n_1 / (\pi \cdot dm)} \dots\dots\dots (3)$$

L<sub>h</sub>: life time (hr) S: stroke length (mm) n: revolutions per minute (rpm) n<sub>1</sub>: number of cycles per minute (cpm)  
 dm: ball pitch diameter (mm) ≅ 1.15dr (dr is the inner contact diameter of the SRE series)

**Calculation Example**

The life of SRE20 type NB slide rotary bush is calculated based on the following conditions.

- Conditions  
 Motion: Linear and rotational combined Load: P=30N Stroke: S=200mm  
 Revolutions per minute: n=15rpm Number of cycles per minute: n<sub>1</sub>=10cpm  
 Shaft surface hardness: greater than 58 HRC  
 Operating temperature: room temperature Other: single shaft with single bush

- Calculation  
 Basic dynamic load rating: C=647 N  
 Based on the above conditions, the life is calculated using the following coefficient values.  
 Hardness coefficient f<sub>H</sub>=1, Temperature coefficient f<sub>T</sub>=1, Contact coefficient f<sub>C</sub>=1  
 Applied load coefficient, f<sub>W</sub>=1.5

Rated life

$$L = \left( \frac{f_H \cdot f_T \cdot f_C}{f_W} \cdot \frac{C}{P} \right)^3 \times 10^6$$

$$= \left( \frac{1 \times 1 \times 1}{1.5} \cdot \frac{647}{30} \right)^3 = 2,972 \times 10^6 \text{ (rotations)}$$

Life (in hours)

$$L_h = \frac{L}{60\sqrt{(dm \cdot n)^2 + (10 \cdot S \cdot n_1)^2} / dm}$$

$$= \frac{2,972 \times 10^6}{60\sqrt{(1.15 \times 20 \times 15)^2 + (10 \times 200 \times 10)^2} / (1.15 \times 20)}$$

$$= 56,900 \text{ (h)}$$

**FIT**

**Shaft**

In order to ensure high accuracy motion of Slide Rotary Bush SRE type, it is essential to select a high quality shaft. In selecting a shaft, please take note of:

- Outer diameter tolerance: g6 recommended
- Surface hardness: 58HRC or higher  
 For a shaft with surface hardness less than 58HRC, make a correction in life calculation by adding hardness coefficient.
- Surface roughness: lower than Ra0.4 or better

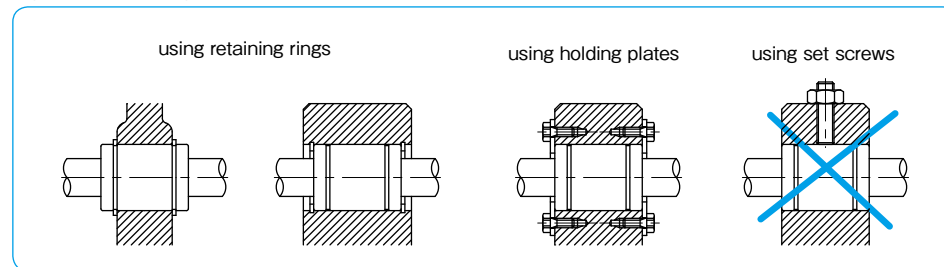
**Housing**

Inner diameter tolerance: H7 recommended

**MOUNTING**

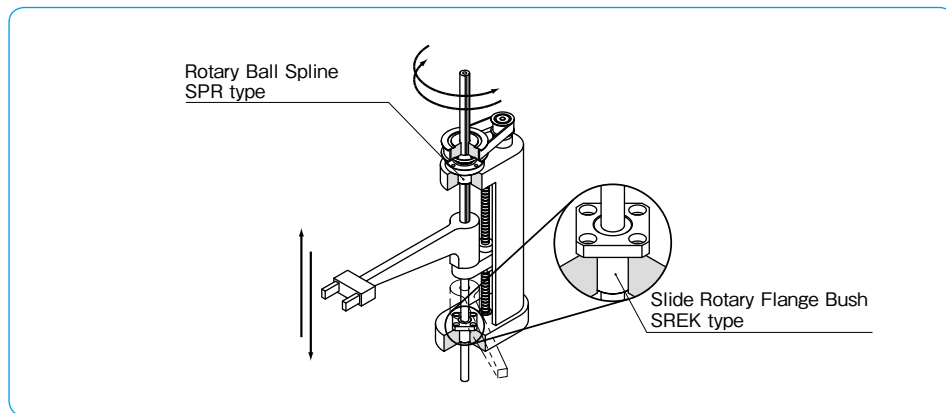
Examples of mounting methods are shown in Figure E-6. Please do not fix outer cylinder by using set screw to avoid deformation.

Figure E-6 Mounting Method

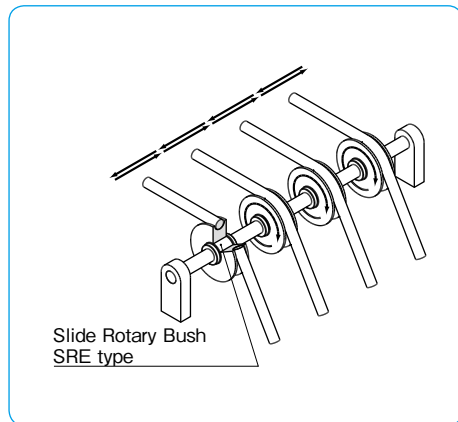


APPLICATION EXAMPLES

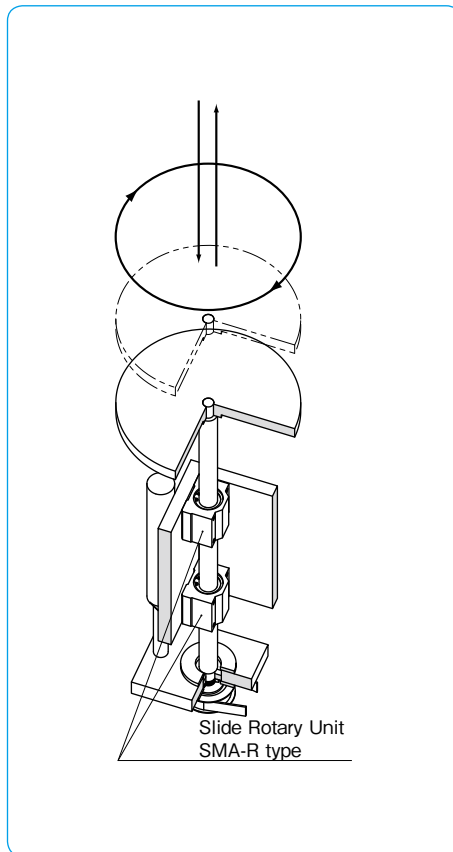
Application Example 1 Vertical Shaft Robot Arm



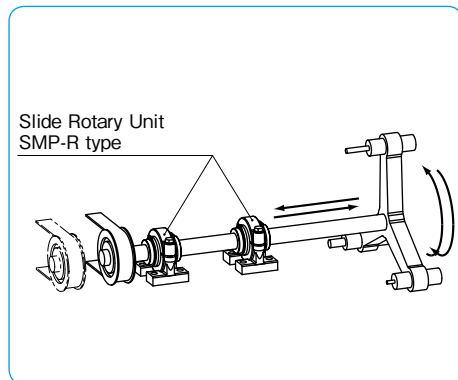
Application Example 2 Multiple Gearing Idler



Application Example 4 Turntable



Application Example 3 Tool Changer



USE AND HANDLING PRECAUTIONS

Lubrication

Lubrication is needed (1) to prevent heat fusing by reducing friction between the rolling elements and the tracking surface, (2) to reduce wear of the structural elements, and (3) to prevent rusting. Lubrication affects both the performance and life of the bush. A lubrication method and a lubrication agent appropriate to the operating conditions should be selected. For oil lubrication, turbine oil (ISO standard VG32-68) is recommended. For grease lubrication, lithium soap based grease No. 2 is recommended. The replenishment interval depends on the operating conditions.

Dust Prevention

Dust and other contaminants affect the bush's lifetime and accuracy. Appropriate prevention methods are thus important.

Operating Temperature Range

The operating temperature is ranging from  $-20^{\circ}\text{C}$  to  $110^{\circ}\text{C}$ . In case of operation at a temperature outside this range, please contact NB.

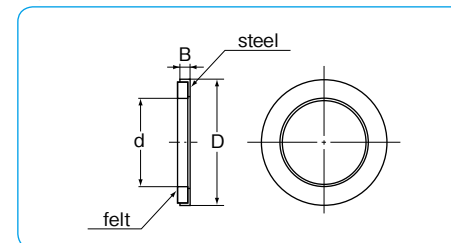
Retainer Material

The standard material of SRE Retainer is stainless steel. When requiring other material, please contact NB.

FELT SEAL

A felt seal FLM strengthens lubrication characteristics and extends relubrication period of the slide rotary bush.

Figure E-7 Felt Seal



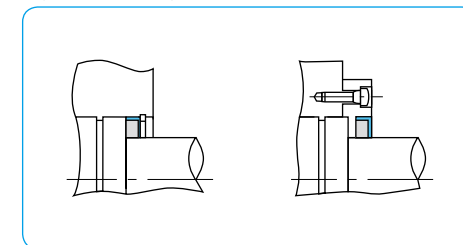
Installation

The felt seal does not work as a retaining ring. Figure E-5 shows how to install the felt seal.

Table E-4 Felt Seal Dimensions

part number	major dimensions (mm)			applicable slide rotary bush
	d	D	B	
FLM 6	6	12	2	SRE 6
FLM 8	8	15	2	SRE 8
FLM 10	10	19	3	SRE 10
FLM 12	12	21	3	SRE 12
FLM 13	13	23	3	SRE 13
FLM 16	16	28	4	SRE 16
FLM 20	20	32	4	SRE 20
FLM 25	25	40	5	SRE 25
FLM 30	30	45	5	SRE 30
FLM 40	40	60	5	SRE 40

Figure E-8 Example of Installation



# SRE TYPE

– Standard type –

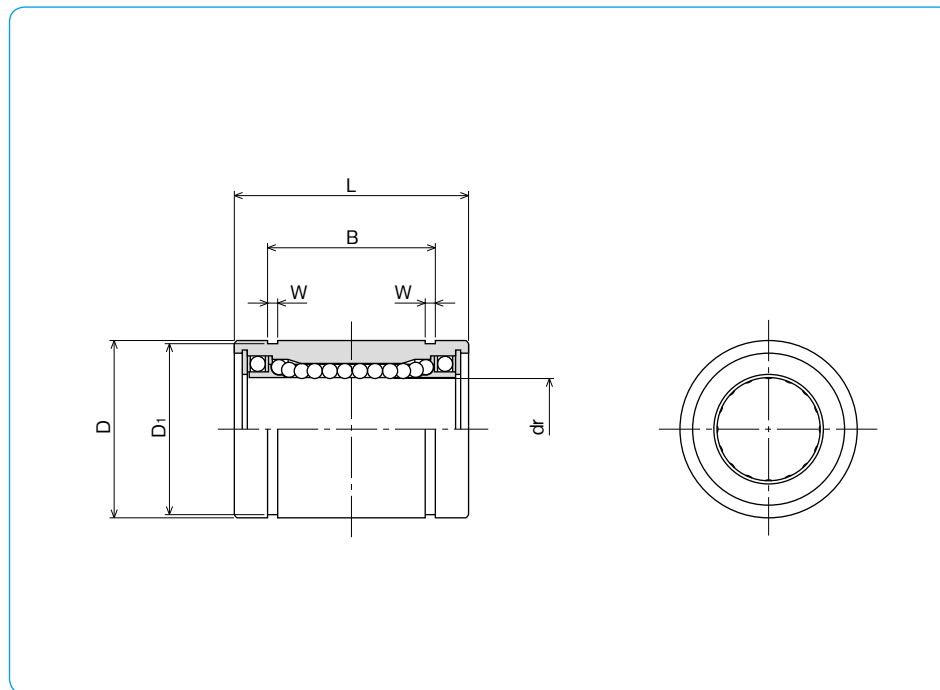


## part number structure

example **SRE 25**

SRE type

inner contact diameter (dr)



part number	dr		D		major dimensions			B	tolerance mm
	mm	tolerance $\mu\text{m}$	mm	tolerance $\mu\text{m}$	L	L	mm		
<b>SRE 6</b>	6		12	0	19	0	13.5	0	
<b>SRE 8</b>	8	+4	15	-11	24		17.5		
<b>SRE 10</b>	10	-5	19		29		22		
<b>SRE 12</b>	12		21	0	30		23		
<b>SRE 13</b>	13	+3	23	-13	32	-0.2	23	-0.2	
<b>SRE 16</b>	16	-6	28		37		26.5		
<b>SRE20</b>	20		32	0	42	0	30.5	0	
<b>SRE25</b>	25	+3	40	-16	59		41		
<b>SRE30</b>	30	-7	45		64		44.5		
<b>SRE40</b>	40	+3/-8	60	0/-19	80		-0.3		60.5

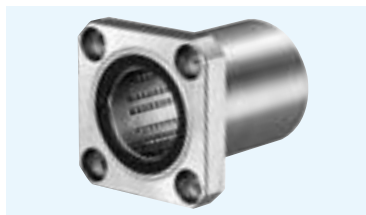
※If the inner contact diameter exceeds 40 mm, please contact NB.

W	D <sub>1</sub>	basic load rating		allowable revolutions per minute rpm	mass g	part number
		dynamic C N	static Co N			
1.1	11.5	78	176	300	10	<b>SRE 6</b>
1.1	14.3	137	314	300	20	<b>SRE 8</b>
1.3	18	157	372	300	39	<b>SRE 10</b>
1.3	20	274	588	300	42	<b>SRE 12</b>
1.3	22	323	686	300	56	<b>SRE 13</b>
1.6	27	451	882	250	97	<b>SRE 16</b>
1.6	30.5	647	1,180	250	133	<b>SRE20</b>
1.85	38	882	1,860	250	293	<b>SRE25</b>
1.85	43	1,180	2,650	200	371	<b>SRE30</b>
2.1	57	1,960	4,020	200	778	<b>SRE40</b>

1N≒0.102kgf

# SREK TYPE

– Square Flange type –

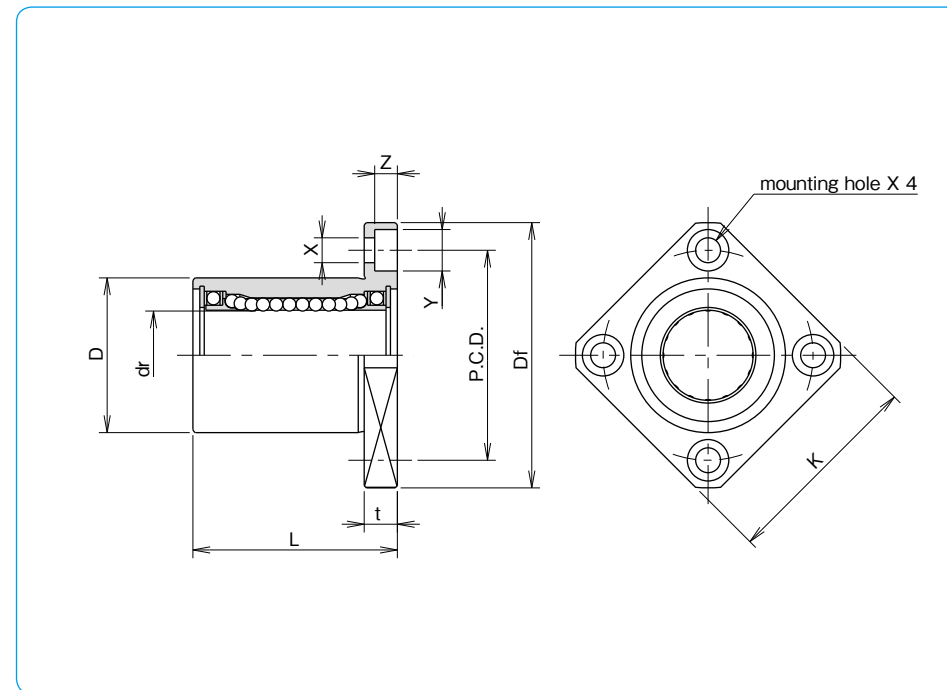


## part number structure

example **SREK 25**

SREK type

inner contact diameter (dr)



part number	dr		D		major dimensions			
	mm	tolerance $\mu\text{m}$	mm	tolerance $\mu\text{m}$	L $\pm 0.3$ mm	Df mm	K mm	flange t mm
<b>SREK 6</b>	6	+4 -5	12	0	19	28	22	5
<b>SREK 8</b>	8		15	-13	24	32	25	5
<b>SREK10</b>	10		19		29	40	30	6
<b>SREK12</b>	12	+3 -6	21	0	30	42	32	6
<b>SREK13</b>	13		23	-16	32	43	34	6
<b>SREK16</b>	16		28		37	48	37	6
<b>SREK20</b>	20	+3 -7	32	0	42	54	42	8
<b>SREK25</b>	25		40	-19	59	62	50	8
<b>SREK30</b>	30		45		64	74	58	10

P.C.D. mm	X×Y×Z mm	perpendicularity $\mu\text{m}$	basic load rating		allowable revolutions per minute	mass g	part number
			dynamic C N	static Co N			
20	3.5×6×3.1	12	78	176	300	21	<b>SREK 6</b>
24	3.5×6×3.1		137	314	300	33	<b>SREK 8</b>
29	4.5×7.5×4.1		157	372	300	61	<b>SREK10</b>
32	4.5×7.5×4.1		274	588	300	67	<b>SREK12</b>
33	4.5×7.5×4.1		323	686	300	83	<b>SREK13</b>
38	4.5×7.5×4.1		451	882	250	126	<b>SREK16</b>
43	5.5×9×5.1	15	647	1,180	250	178	<b>SREK20</b>
51	5.5×9×5.1		882	1,860	250	355	<b>SREK25</b>
60	6.6×11×6.1		1,180	2,650	200	483	<b>SREK30</b>

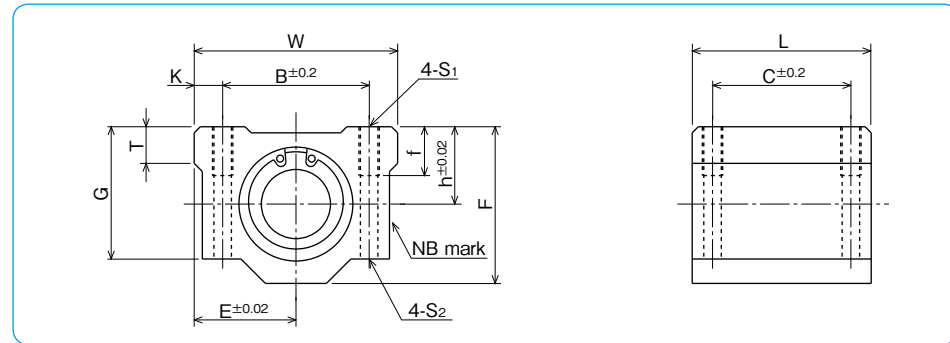
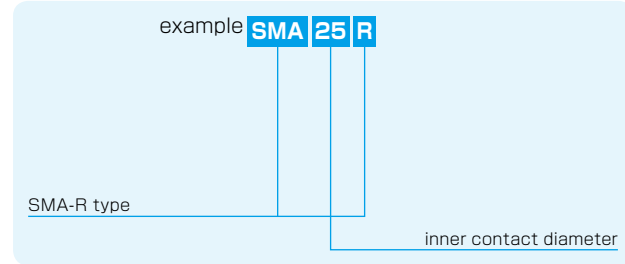
1N≐0.102kgf

# SMA-R TYPE

—Block type—



## part number structure



part number	inner contact diameter		major dimensions														basic load rating		allowable revolutions per minute	mass g
			outer dimensions							mounting dimensions							dynamic	static		
			h	E	W	L	F	G	T	B	C	K	S <sub>1</sub>	f	S <sub>2</sub>	C	Co			
<b>SMA 6R</b>	6		9	15	30	25	18	15	6	20	15	5	M4	8	3.4	78	176	300	33	
<b>SMA 8R</b>	8	+4	11	17	34	30	22	18	6	24	18	5	M4	8	3.4	137	314	300	55	
<b>SMA 10R</b>	10	-5	13	20	40	35	26	21	8	28	21	6	M5	12	4.3	157	372	300	93	
<b>SMA 12R</b>	12		15	21	42	36	28	24	8	30.5	26	5.75	M5	12	4.3	274	588	300	104	
<b>SMA 13R</b>	13	+3	15	22	44	39	30	24.5	8	33	26	5.5	M5	12	4.3	323	686	300	128	
<b>SMA 16R</b>	16	-6	19	25	50	44	38.5	32.5	9	36	34	7	M5	12	4.3	451	882	250	216	
<b>SMA 20R</b>	20		21	27	54	50	41	35	11	40	40	7	M6	12	5.2	647	1,180	250	286	
<b>SMA 25R</b>	25	+3	26	38	76	67	51.5	42	12	54	50	11	M8	18	7	882	1,860	250	645	
<b>SMA 30R</b>	30	-7	30	39	78	72	59.5	49	15	58	58	10	M8	18	7	1,180	2,650	200	824	
<b>SMA 40R</b>	40	+3/-8	40	51	102	90	78	62	20	80	60	11	M10	25	8.7	1,960	4,020	200	1,719	

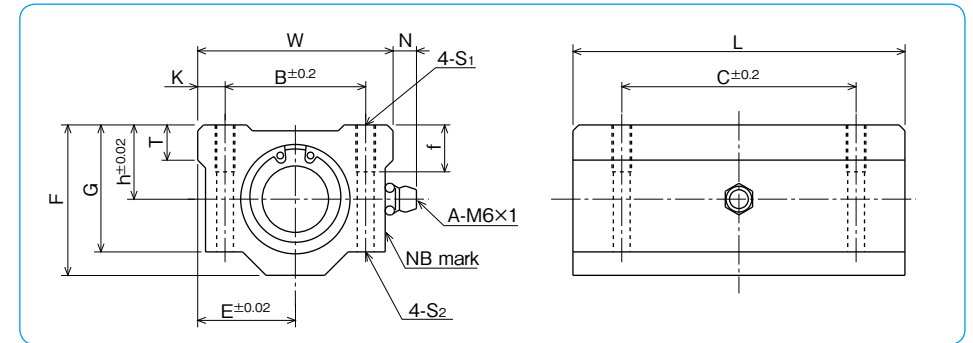
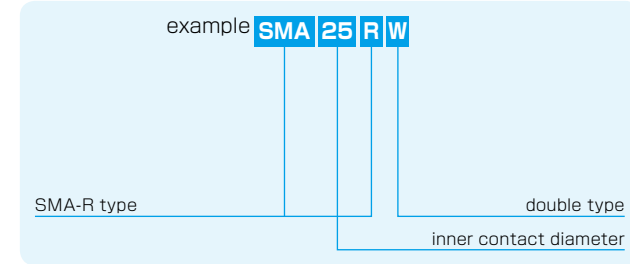
1N=0.102kgf

# SMA-RW TYPE

—Double-Wide Block type—



## part number structure



part number	inner contact diameter		major dimensions														basic load rating		allowable revolutions per minute	mass g
			outer dimensions							mounting dimensions							dynamic	static		
			h	E	W	L	F	G	T	N	B	C	K	S <sub>1</sub>	f	S <sub>2</sub>	C	Co		
<b>SMA 6RW</b>	6		9	15	30	48	18	15	6	7	20	36	5	M4	8	3.4	126	352	300	68
<b>SMA 8RW</b>	8	+4	11	17	34	58	22	18	6	7	24	42	5	M4	8	3.4	222	628	300	113
<b>SMA 10RW</b>	10	-5	13	20	40	68	26	21	8	7	28	46	6	M5	12	4.3	254	744	300	188
<b>SMA 12RW</b>	12		15	21	42	70	28	24	8	6.5	30.5	50	5.75	M5	12	4.3	444	1,180	300	210
<b>SMA 13RW</b>	13	+3	15	22	44	75	30	24.5	8	6.5	33	50	5.5	M5	12	4.3	523	1,370	300	254
<b>SMA 16RW</b>	16	-6	19	25	50	85	38.5	32.5	9	6	36	60	7	M5	12	4.3	731	1,760	250	431
<b>SMA 20RW</b>	20		21	27	54	96	41	35	11	7	40	70	7	M6	12	5.2	1,050	2,360	250	568
<b>SMA 25RW</b>	25	+3	26	38	76	130	51.5	42	12	4	54	100	11	M8	18	7	1,430	3,720	250	1,282
<b>SMA 30RW</b>	30	-7	30	39	78	140	59.5	49	15	5	58	110	10	M8	18	7	1,910	5,300	200	1,638
<b>SMA 40RW</b>	40	+3/-8	40	51	102	175	78	62	20	5	80	140	11	M10	25	8.7	3,180	8,040	200	3,419

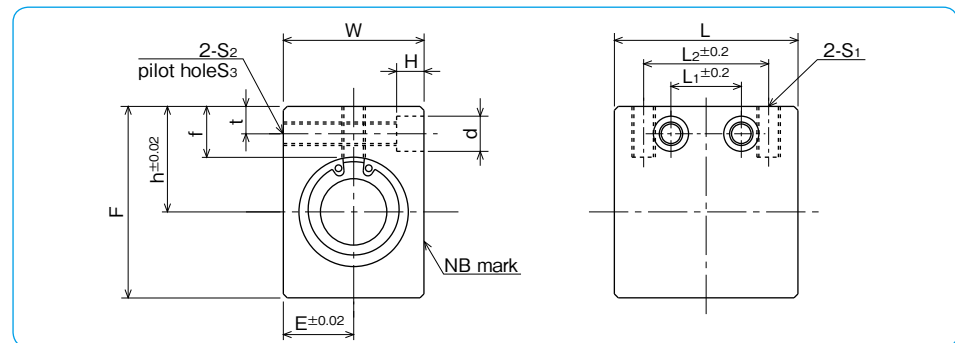
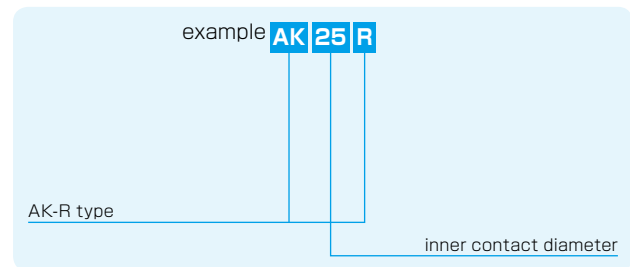
1N=0.102kgf

# AK-R TYPE

-Compact Block type-



## part number structure



part number	inner contact diameter		major dimensions																basic load rating		allowable revolutions per minute	mass
	mm	tolerance μm	outer dimensions					mounting dimensions											dynamic	static		
			h	E	W	L	F	L <sub>2</sub>	S <sub>1</sub>	f	L <sub>1</sub>	t	S <sub>2</sub>	S <sub>3</sub>	d	H	C	Co	N	N	rpm	g
AK 6R	6		14	8	16	27	22	18	M4	8	9	5	M4	3.5	6	5	78	176	300	27		
AK 8R	8	+4	16	10	20	32	26	20	M5	8.5	10	5	M4	3.5	6	5	137	314	300	48		
AK10R	10	-5	19	13	26	39	32	27	M6	9.5	15	6	M5	4.5	8	6	157	372	300	94		
AK12R	12		20	14	28	40	34	27	M6	9.5	15	6	M5	4.5	8	6	274	588	300	105		
AK13R	13	+3	25	15	30	42	43	28	M6	13.5	16	7	M6	5.2	9	7	323	686	300	151		
AK16R	16	-6	27	18	36	47	49	32	M6	13	18	7	M6	5.2	9	7	451	882	250	238		
AK20R	20		31	21	42	52	54	36	M8	15	18	8	M8	7	11	8	647	1,180	250	328		
AK25R	25	+3	37	26	52	69	65	42	M10	17	22	9	M10	8.9	14	10	882	1,860	250	669		
AK30R	30	-7	40	29	58	74	71	44	M10	17.5	22	9	M10	8.9	14	10	1,180	2,650	200	856		

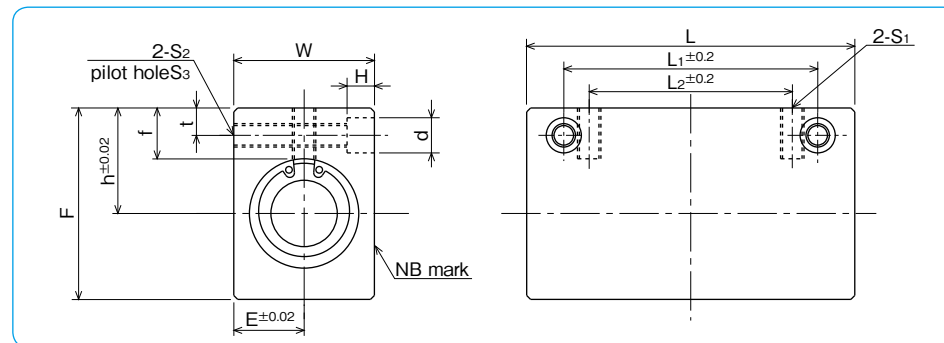
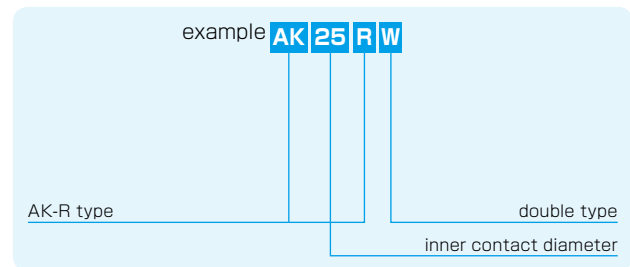
1N≒0.102kgf

# AK-RW TYPE

-Double-Wide Compact Block type-



## part number structure



part number	inner contact diameter		major dimensions																basic load rating		allowable revolutions per minute	mass
	mm	tolerance μm	outer dimensions					mounting dimensions											dynamic	static		
			h	E	W	L	F	L <sub>2</sub>	S <sub>1</sub>	f	L <sub>1</sub>	t	S <sub>2</sub>	S <sub>3</sub>	d	H	C	Co	N	N	rpm	g
AK 6RW	6		14	8	16	46	22	20	M4	8	30	5	M4	3.5	6	5	126	352	300	48		
AK 8RW	8	+4	16	10	20	56	26	30	M5	8.5	42	5	M4	3.5	6	5	222	628	300	89		
AK10RW	10	-5	19	13	26	68	32	36	M6	9.5	50	6	M5	4.5	8	6	254	744	300	175		
AK12RW	12		20	14	28	70	34	36	M6	9.5	50	6	M5	4.5	8	6	444	1,180	300	196		
AK13RW	13	+3	25	15	30	74	43	42	M6	13.5	55	7	M6	5.2	9	7	523	1,370	300	281		
AK16RW	16	-6	27	18	36	84	49	52	M6	13	65	7	M6	5.2	9	7	731	1,760	250	450		
AK20RW	20		31	21	42	94	54	58	M8	15	70	8	M8	7	11	8	1,050	2,360	250	626		
AK25RW	25	+3	37	26	52	128	65	80	M10	17	100	9	M10	8.9	14	10	1,430	3,720	250	1,299		
AK30RW	30	-7	40	29	58	138	71	90	M10	17.5	110	9	M10	8.9	14	10	1,910	5,300	200	1,662		

1N≒0.102kgf

# SMP-R TYPE

—Pillow Block type—



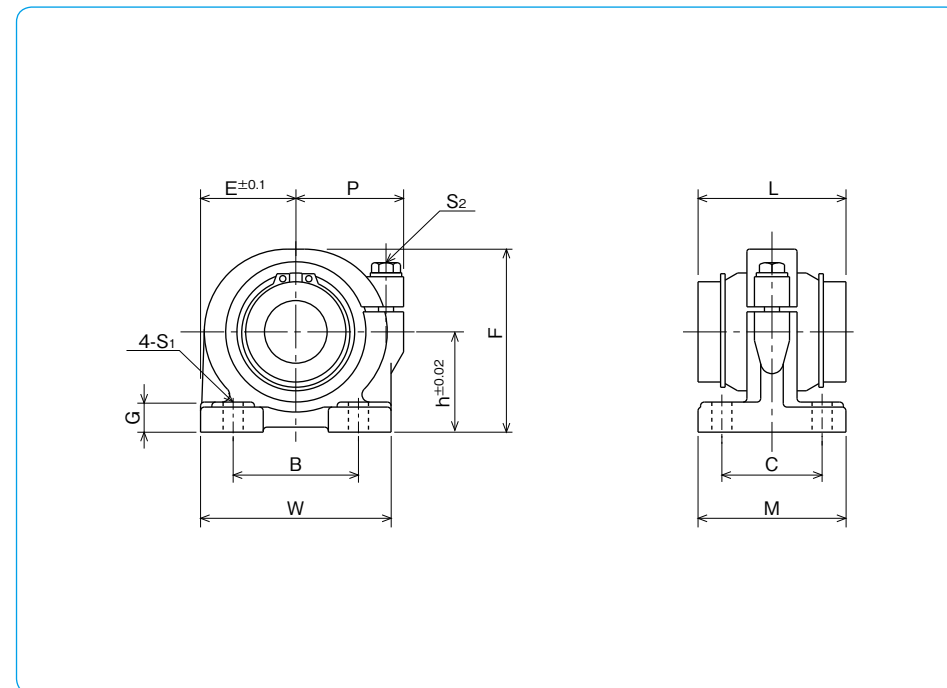
## part number structure

example **SMP 25 R**

SMP-R type

inner contact diameter

part number	inner contact diameter		major dimensions						
	mm	tolerance μm	h mm	E mm	W mm	outer dimensions			
						L mm	F mm	G mm	M mm
<b>SMP13R</b>	13	+3	25	25	50	32	46	8	36
<b>SMP16R</b>	16	-6	29	27.5	55	37	53	10	40
<b>SMP20R</b>	20	+3 -7	34	32.5	65	42	62	12	48
<b>SMP25R</b>	25		40	38	76	59	73	12	59
<b>SMP30R</b>	30	+3/-8	45	42.5	85	64	84	15	69
<b>SMP40R</b>	40		60	62	124	80	112	18	86



P mm	mounting dimensions			adjustment screw size S2	basic load rating		allowable revolutions per minute rpm	mass g	part number
	B mm	C mm	S1 mm		dynamic C N	static Co N			
30	30	26	7 (M5)	M5	323	686	300	266	<b>SMP13R</b>
32	35	29	7 (M5)	M5	451	882	250	369	<b>SMP16R</b>
37	40	35	8 (M6)	M6	647	1,180	250	690	<b>SMP20R</b>
43	50	40	8 (M6)	M6	882	1,860	250	970	<b>SMP25R</b>
49	58	46	10 (M8)	M8	1,180	2,650	200	1,420	<b>SMP30R</b>
68	76	64	12 (M10)	M10	1,960	4,020	200	3,585	<b>SMP40R</b>

1N≐0.102kgf



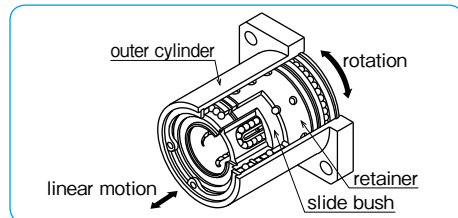
# SLIDE ROTARY BUSH RK TYPE

NB's RK type slide rotary bush is a highly accurate and high load capacity bearing providing smooth continuous linear and rotational motions. Its structure imposes no constraints on linear and rotational motions. It is much more compact than a standard slide bush with separate rotational bearing.

## STRUCTURE AND ADVANTAGES

The RK type slide rotary bush uses a retainer similar to that used in the SR type stroke bush. This retainer gives a smooth motion in a high rotational application. SM type slide bush is incorporated, providing the stable and smooth linear motion. Relatively large ball elements are used for high load capacity.

Figure E-9 Structure of RK Slide Rotary Bush



## FIT

### Shaft

In order to ensure high accuracy motion of Slide Rotary Bush RK type, it is essential to select a high quality shaft. In selecting a shaft, please take note of:

- Outer diameter tolerance: h5 recommended
- Surface hardness: 58HRC or higher

For a shaft with surface hardness less than 58HRC, make a correction in life calculation by adding hardness coefficient.

Surface roughness: lower than Ra0.4 or better

### Calculation of Life:

$$L = \left( \frac{f_H \cdot f_T \cdot f_C \cdot C}{f_W \cdot P} \right)^3 \times 50$$

L: rated life (km) f<sub>H</sub>: hardness coefficient  
 f<sub>T</sub>: temperature coefficient f<sub>C</sub>: contact coefficient  
 f<sub>W</sub>: applied load coefficient  
 C: basic dynamic load rating (N) P: applied load (N)  
 ※Refer to page Eng-5 for the coefficients.

1. A smooth unlimited linear and rotational motion is obtained.
2. There is no need to machine separate housing.
3. High accuracy is ensured for extended period of usage.
4. Its high compatibility eliminates replacement problems.
5. High rigidity enables it to withstand an unbalanced load and large load.

※For best performance, please select tolerance of h5 for the shaft.

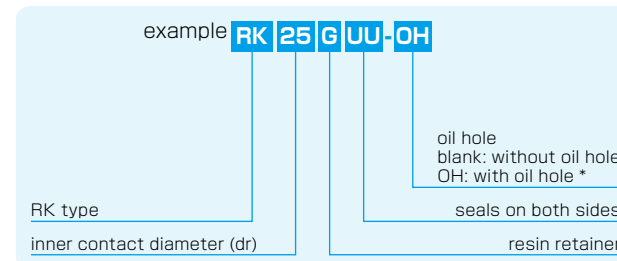
### Housing

Inner diameter tolerance is not requested. Please insert into an installation bore which is slightly larger than the outer cylinder.

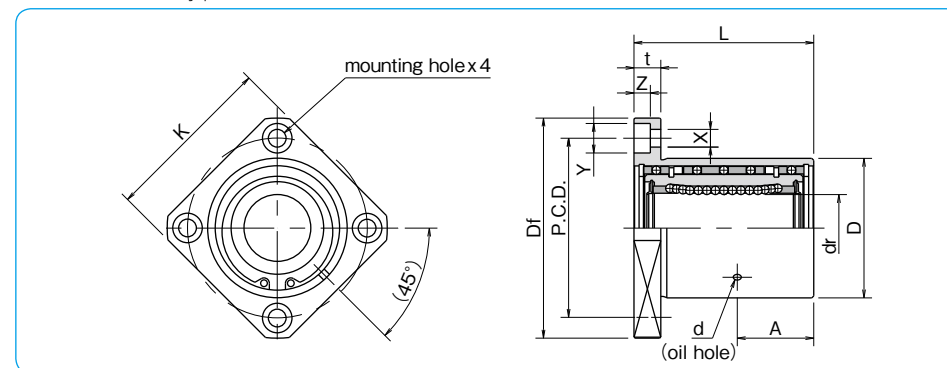
## RK TYPE



### part number structure



\*Oil hole is for rotary-portion lubrication.



part number	dr		D		L	A		d	flange				basic load rating		allowable revolutions per minute	mass	
	mm	tolerance	mm	tolerance		mm	mm		mm	Df	K	t	P.C.D.	X×Y×Z			C
<b>RK12GUU</b>	12	0	32	0	36	15	2	54	42	8	43	5.5×9×5.1	510	784	500	180	
<b>RK16GUU</b>	16	-9	40	-25	45	19.5	2	62	50	8	51	5.5×9×5.1	774	1,180	500	280	
<b>RK20GUU</b>	20	0	45	0	50	±0.3	21.5	3	74	58	10	60	6.6×11×6.1	882	1,370	400	420
<b>RK25GUU</b>	25	-10	52	0	67	28.5	3	82	64	10	67	6.6×11×6.1	980	1,570	400	680	
<b>RK30GUU</b>	30	-10	60	-30	74	31	3	96	75	13	78	9×14×8.1	1,570	2,740	400	990	

1N≒0.102kgf

# SLIDE SHAFT SPINDLE SHAFT

## SLIDE SHAFT

ADVANTAGES .....	F-2
TYPES .....	F-3
CALCULATION OF DEFLECTION AND DEFLECTION ANGLE .....	F-4
NB SHAFT SN TYPE .....	F-6
NB STAINLESS STEEL SHAFT SNS TYPE .....	F-7
NB HOLLOW SHAFT SNT TYPE .....	F-8
NB CENTER-LINED TAPPED SHAFT SN(S)B TYPE .....	F-9
NB INCH SHAFT .....	F-10
NB INCH STAINLESS STEEL SHAFT .....	F-11
NB INCH PRE-DRILLED SHAFT .....	F-12
NB INCH PRE-DRILLED STAINLESS STEEL SHAFT .....	F-13
SHAFT SUPPORTER AND SHAFT SUPPORT RAIL .....	F-14
ACCURACY OF SA TYPE SUPPORT RAIL .....	F-14
SHAFT SUPPORTER SH-A TYPE .....	F-15
SHAFT SUPPORTER SH TYPE .....	F-16
SHAFT SUPPORTER SHF TYPE .....	F-17
SHAFT SUPPORT RAIL SA TYPE .....	F-18
SHAFT SUPPORTER WH-A TYPE (INCH SIZE) .....	F-20
SHAFT SUPPORT RAIL WA TYPE (INCH SIZE) .....	F-22
LOW SHAFT SUPPORT RAIL LWA TYPE (INCH SIZE) .....	F-23
SHAFT SUPPORT ASSEMBLY WSS TYPE (STANDARD TYPE) .....	F-24
SHAFT SUPPORT ASSEMBLY WSS-SS TYPE (STAINLESS TYPE) .....	F-25
FIT SERIES .....	F-26
THERMAL-SPRAYING CERAMIC-COATING SPECIFICATIONS .....	F-27
NBCA SHAFT SF TYPE .....	F-28
NBCA STAINLESS STEEL SHAFT SFS TYPE .....	F-29
NBCA INCH SHAFT SFW TYPE .....	F-30
NBCA INCH STAINLESS STEEL SHAFT SFWS TYPE .....	F-31
NBCA INCH PRE-DRILLED SHAFT SFW-PD TYPE .....	F-32
NBCA INCH PRE-DRILLED STAINLESS STEEL SHAFT SFWS-PD TYPE .....	F-33
FORMAT SINGLE END TAPPED INCH SHAFT SFW TYPE .....	F-34
FORMAT BOTH ENDS TAPPED INCH SHAFT SFW TYPE .....	F-35
FORMAT THREADED INCH SHAFTS SFW TYPE (SINGLE END THREADED) .....	F-36

FORMAT THREADED INCH SHAFTS SFW TYPE (BOTH ENDS THREADED) .....	F-37
---	------

PRE-CUT SLIDE SHAFTS PC TYPE .....	F-38
------------------------------------	------

## SPINDLE SHAFT/SPINDLE UNIT

ADVANTAGES .....	F-39
SPINDLE UNIT SPECIFICATIONS (EXAMPLE) .....	F-39
EXAMPLES OF MACHINING .....	F-40
EXAMPLE OF DRAWING① .....	F-41
EXAMPLE OF DRAWING② .....	F-42
EXAMPLE OF DRAWING③ .....	F-43

## GENERAL MACHINE SHAFTING

ADVANTAGES .....	F-44
MACHINING SPECIFICATIONS .....	F-44
EXAMPLES OF MACHINING① .....	F-45
EXAMPLES OF MACHINING② .....	F-46

# SHAFT

The NB shaft can be used in a wide range of applications as a mechanical component from straight shaft to spindle shaft. NB's expertise in machining and heat-treatment turns into manufacturing spindle shaft, roll shaft, and general machinery shaft for rotational motion. NB's high accuracy technology answers various shaft machining requirements.

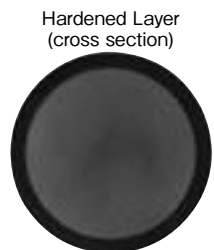
## ADVANTAGES

### Advanced Machining Technology

NB performs a wide variety of highly accurate machining processes to provide custom shafting from relatively simple machining, such as tapping and shaft stepping to the more demanding high-speed rotating shafts and spindles. NB can also answer the special grinding and bore machining requirements.

### Excellent Wear Resistance

Most commonly used materials are high-carbon chromium bearing steel (SUJ2) and martensite stainless steel (SUS440C or equivalent). NB's advanced heat-treatment technology gives these materials an excellent wear resistance by quenching and tempering to achieve a uniform hardened layer in the circumferential and axial directions. The cross-sectional picture below shows the hardened layer-depth of the NB shaft.



### Surface Roughness

Precision grinding results in a surface roughness of less than Ra0.4.

### Wide Selection of Shaft Types

- SN type, SNS type, SNT type,
- SNB, SNSB type (Center-lined tapped shaft)
- SNW, SNWS type (Inch shaft)
- SNW-PD, SNWS-PD type (Inch, pre-drilled shaft)
- Spindle shaft, roll shaft

### Special Requirements

Based on the customer drawings and specifications NB will answer the customer requirements in material (SCM, SKS etc.), heat-treatment, surface treatment, etc.

### Shaft Supporter and Shaft Support Rail

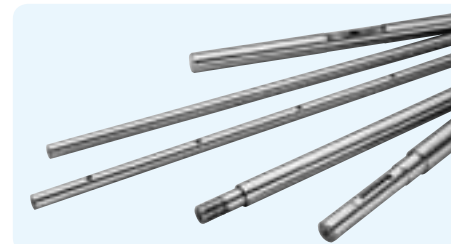
These components ease the shaft installation and help save the design/assembling time. (refer to page F-14)

### FIT Series

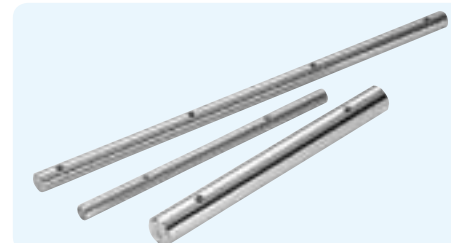
This series is a set of NB slide bush and NB shaft. By precise shaft-grinding, FIT series achieves the best-fit clearance adjustment for a smooth, high accuracy linear motion. (refer to page F-26)

## TYPES

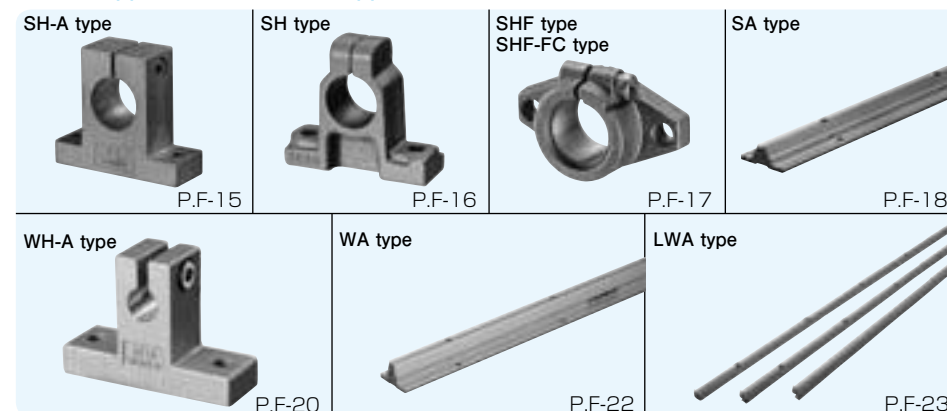
### SN/SNS/SNT type (NB Shaft) SNW/SNWS type (Inch Shaft)



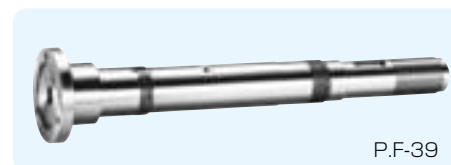
### SNB/SNSB type (NB Center-lined Tapped Shaft) SNW-PD/SNWS-PD type (Inch Shaft, Pre-drilled Shaft)



### Shaft Supporter and Shaft Support Rail



### Special Specifications



NB shaft is a high-precision shaft that can be used with slide bush or any other bearings. A wide range of machining is provided for customer drawings and requirements.

Table F-1 Specifications

type	SN type	SNS type	SNT type
material	SUJ2	equivalent to SUS440C	SUJ2 (hollow shaft)
outer diameter tolerance	g6 or to be specified		
hardness	60HRC or more	56HRC or more	60HRC or more
surface roughness	Ra0.4 or less		
page	page F-6	page F-7	page F-8

Center-lined tapped shafts are standardized series for easy selection that can be used with the SA shaft support rails. (refer to page F-18)

Table F-2 Specifications

type	SNB type	SNSB type
material	SUJ2	equivalent to SUS440C
outer diameter tolerance	g6 or to be specified	
hardness	60HRC or more	56HRC or more
surface roughness	Ra0.4 or less	
page	page F-9	

The SNW and SNWS types are inch dimensional shafts with the same specifications as SN/SNS type (refer to page F-10,11). SNW-PD and SNWS-PD types are standardized series that can be used with the WA shaft support rails. (refer to page F-12,13,22)

Based on drawings and specifications, NB manufactures spindle shafts, and roll shafts for the rotary motion application. Material, heat-treatment (hardening/tempering), surface treatment, etc, NB meets customer requirements. Please contact NB for details.

### CALCULATION OF DEFLECTION AND DEFLECTION ANGLE

The following formulas are used to obtain the deflection and its angle of the shaft. Typical conditions are listed in Table F-3.

Table F-3 Formulas for Calculating Deflection and Deflection Angle

support method	specification	formula for deflection	formula for deflection angle
1 support   support		$\delta_{max} = \frac{P\ell^3}{48EI} = P\ell^3C$	$i_1 = 0$ $i_2 = \frac{P\ell^2}{16EI} = 3P\ell^2C$
2 fixed   fixed		$\delta_{max} = \frac{P\ell^3}{192EI} = \frac{1}{4}P\ell^3C$	$i_1 = 0$ $i_2 = 0$
3 support   support		$\delta_{max} = \frac{5p\ell^4}{384EI} = \frac{5}{8}p\ell^4C$	$i_2 = \frac{p\ell^3}{24EI} = 2p\ell^3C$
4 fixed   fixed		$\delta_{max} = \frac{p\ell^4}{384EI} = \frac{1}{8}p\ell^4C$	$i_2 = 0$
5 support   support		$\delta_{i1} = \frac{Pa^2}{6EI} \left( 2 + \frac{3b}{a} \right) = 8Pa^3 \left( 2 + \frac{3b}{a} \right) C$ $\delta_{max} = \frac{Pa^3}{24EI} \left( \frac{3\ell^2}{a^2} - 4 \right) = 2Pa^3 \left( \frac{3\ell^2}{a^2} - 4 \right) C$	$i_1 = \frac{Pab}{2EI} = 24PabC$ $i_2 = \frac{Pa(a+b)}{2EI} = 24Pa(a+b)C$
6 fixed   fixed		$\delta_{i1} = \frac{Pa^2}{6EI} \left( 2 - \frac{3a}{\ell} \right) = 8Pa^3 \left( 2 - \frac{3a}{\ell} \right) C$ $\delta_{max} = \frac{Pa^3}{24EI} \left( 2 + \frac{3b}{a} \right) = 2Pa^3 \left( 2 + \frac{3b}{a} \right) C$	$i_1 = \frac{Pa^2b}{2EI\ell} = \frac{24Pa^2bC}{\ell}$ $i_2 = 0$
7 fixed   free		$\delta_{max} = \frac{P\ell^3}{3EI} = 16P\ell^3C$	$i_1 = \frac{P\ell^2}{2EI} = 24P\ell^2C$ $i_2 = 0$
8 fixed   free		$\delta_{max} = \frac{p\ell^4}{8EI} = 6p\ell^4C$	$i_1 = \frac{p\ell^3}{6EI} = 8p\ell^3C$ $i_2 = 0$
9 support   support		$\delta_{max} = \frac{\sqrt{3}Mo\ell^2}{216EI} = \frac{2\sqrt{3}}{9}Mo\ell^2C$	$i_1 = \frac{Mo\ell}{12EI} = 4Mo\ell C$ $i_2 = \frac{Mo\ell}{24EI} = 2Mo\ell C$
10 fixed   fixed		$\delta_{max} = \frac{Mo\ell^2}{216EI} = \frac{2}{9}Mo\ell^2C$	$i_1 = \frac{Mo\ell}{16EI} = 3Mo\ell C$ $i_2 = 0$

$\delta_{i1}$ : deflection at the concentrated load point (mm)  $\delta_{max}$ : maximum deflection (mm)  $i_1$ : deflection angle at the concentrated load point (rad)  
 $i_2$ : deflection angle at the support point (rad) Mo: moment (N·mm) P: concentrated load (N)  
 p: uniformly distributed load (N/mm) a,b: concentrated load point distance (mm)  $\ell$ : span (mm) I: moment of inertia of area (mm<sup>4</sup>)  
 E: modulus of longitudinal elasticity (SUJ2)  $2.06 \times 10^5$  (N/mm<sup>2</sup>) (SUS)  $2.0 \times 10^5$  (N/mm<sup>2</sup>) C:  $1/48EI$  (1/N·mm<sup>2</sup>)

The moment of inertia of area (I) is obtained using the following formulas:

● For solid shaft

● For hollow shaft

$$I = \frac{\pi D^4}{64}$$

$$I = \frac{\pi}{64} (D^4 - d^4)$$

I: moment of inertia of area (mm<sup>4</sup>)

D: outer diameter (mm) d: inner diameter (mm)

The values of the moment of inertia of area and C (=1/48 EI) for NB shafts are listed in Table F-4 and F-5.

### Calculation Examples

1. Calculating the maximum deflection of a 30mm shaft with a 500mm span when a concentrated load of 980 N is applied at the mid-point of the shaft ... (neglecting the shaft weight)

① In case the support method is support-support:

From the given conditions, P = 980 N,  $\ell = 500$ mm  
 From Table F-4, C for an outer diameter of 30 mm,  
 C =  $2.54 \times 10^{-12}$  (N·mm<sup>2</sup>).

Substituting these values into the corresponding formula (No. 1) in Table F-3,  
 $\delta_{max} = P\ell^3C = 0.31$  (mm)

② In case the support method is fixed-fixed:

Substituting the values into the corresponding formula (No. 2) given in Table F-3,

$$\delta_{max} = \frac{1}{4}P\ell^3C = 0.08$$
 (mm)

2. Calculating the maximum deflection of a 60mm shaft with an inner diameter of 32 mm and a 2,000 mm span by its own weight ...

From Table F-5, C for an outer diameter of 60 mm,  
 C =  $1.73 \times 10^{-13}$  (N·mm<sup>2</sup>)

The mass per unit length of a shaft with an outer diameter of 60 mm and an inner diameter of 32 mm is 15.9kg/m. Therefore, a uniformly distributed load of 0.156 N/mm is applied. Substituting these values into the formula (No. 3) given in Table F-3.

$$\delta_{max} = \frac{5}{8}p\ell^4C = 0.27$$
 (mm)

Table F-4 Solid Shaft

outer diameter D (mm)	moment of inertia of area I (mm <sup>4</sup> )	C=1/48EI (1/N·mm <sup>2</sup> ) SUJ2	equivalent to SUS440C
3	3.98	$2.54 \times 10^{-8}$	$2.62 \times 10^{-8}$
4	$1.26 \times 10$	$8.05 \times 10^{-9}$	$8.29 \times 10^{-9}$
5	$3.07 \times 10$	$3.30 \times 10^{-9}$	$3.40 \times 10^{-9}$
6	$6.36 \times 10$	$1.59 \times 10^{-9}$	$1.64 \times 10^{-9}$
8	$2.01 \times 10^2$	$5.03 \times 10^{-10}$	$5.18 \times 10^{-10}$
10	$4.91 \times 10^2$	$2.06 \times 10^{-10}$	$2.12 \times 10^{-10}$
12	$1.02 \times 10^3$	$9.94 \times 10^{-11}$	$1.02 \times 10^{-10}$
13	$1.40 \times 10^3$	$7.21 \times 10^{-11}$	$7.43 \times 10^{-11}$
15	$2.49 \times 10^3$	$4.07 \times 10^{-11}$	$4.19 \times 10^{-11}$
16	$3.22 \times 10^3$	$3.14 \times 10^{-11}$	$3.24 \times 10^{-11}$
20	$7.85 \times 10^3$	$1.29 \times 10^{-11}$	$1.33 \times 10^{-11}$
25	$1.92 \times 10^4$	$5.27 \times 10^{-12}$	$5.43 \times 10^{-12}$
30	$3.98 \times 10^4$	$2.54 \times 10^{-12}$	$2.62 \times 10^{-12}$
35	$7.37 \times 10^4$	$1.37 \times 10^{-12}$	$1.41 \times 10^{-12}$
40	$1.26 \times 10^5$	$8.05 \times 10^{-13}$	$8.29 \times 10^{-13}$
50	$3.07 \times 10^5$	$3.30 \times 10^{-13}$	$3.40 \times 10^{-13}$
60	$6.36 \times 10^5$	$1.59 \times 10^{-13}$	$1.64 \times 10^{-13}$
80	$2.01 \times 10^6$	$5.03 \times 10^{-14}$	$5.18 \times 10^{-14}$
100	$4.91 \times 10^6$	$2.06 \times 10^{-14}$	$2.12 \times 10^{-14}$
120	$1.02 \times 10^7$	$9.94 \times 10^{-15}$	—
150	$2.49 \times 10^7$	$4.07 \times 10^{-15}$	—

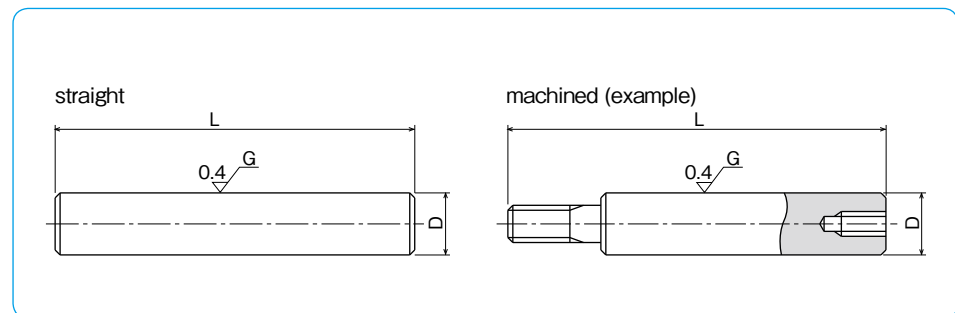
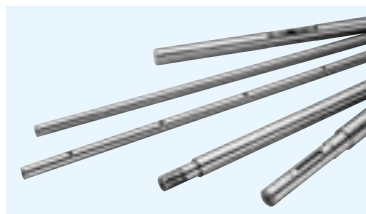
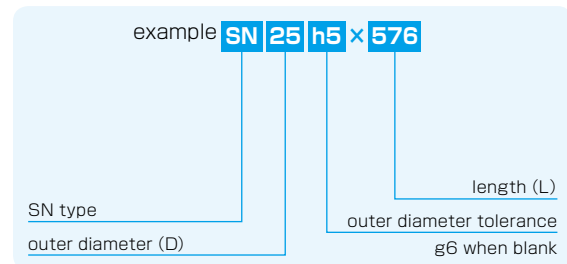
Table F-5 Hollow Shaft

outer diameter D (mm)	inner diameter d (mm)	moment of inertia of area I (mm <sup>4</sup> )	C=1/48EI (1/N·mm <sup>2</sup> )
6	2	$6.28 \times 10$	$1.61 \times 10^{-9}$
8	3	$1.97 \times 10^2$	$5.13 \times 10^{-10}$
10	4	$4.78 \times 10^2$	$2.11 \times 10^{-10}$
12	5	$9.87 \times 10^2$	$1.02 \times 10^{-10}$
13	6	$1.34 \times 10^3$	$7.55 \times 10^{-11}$
16	8	$3.02 \times 10^3$	$3.36 \times 10^{-11}$
20	10	$7.36 \times 10^3$	$1.37 \times 10^{-11}$
25	15	$1.67 \times 10^4$	$6.06 \times 10^{-12}$
30	16	$3.65 \times 10^4$	$2.77 \times 10^{-12}$
35	19	$6.73 \times 10^4$	$1.50 \times 10^{-12}$
40	20	$1.18 \times 10^5$	$8.57 \times 10^{-13}$
50	26	$2.84 \times 10^5$	$3.56 \times 10^{-13}$
60	32	$5.85 \times 10^5$	$1.73 \times 10^{-13}$
80	48	$1.75 \times 10^6$	$5.78 \times 10^{-14}$
100	60	$4.27 \times 10^6$	$2.37 \times 10^{-14}$

# SN TYPE

– NB Shaft –

## part number structure



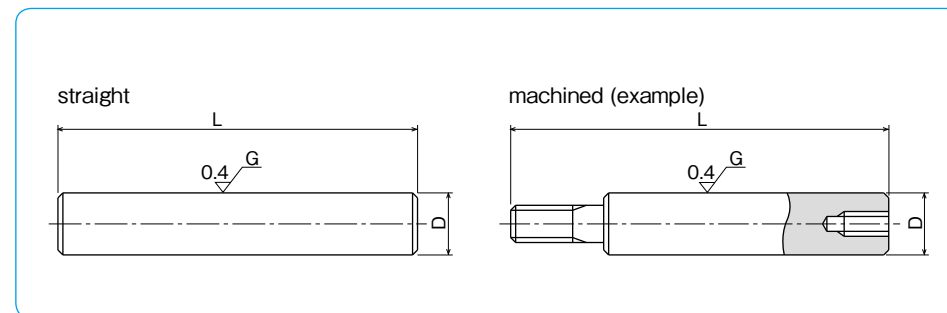
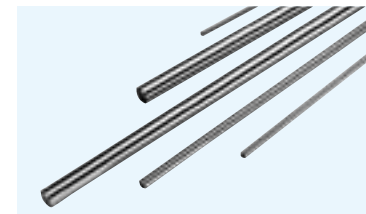
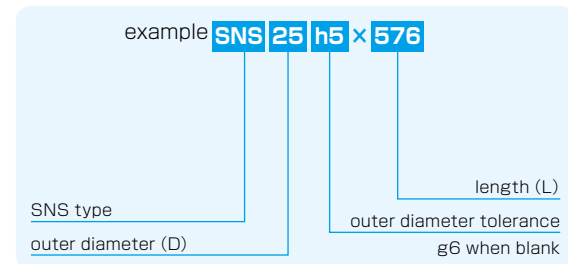
part number	outer diameter D mm	tolerance g6 μm	length L mm		mass Kg/m
			mm	mm	
SN 3	3	-2/-8	50	400	0.06
SN 4	4	-4	100	500	0.10
SN 5	5	-12	100	700	0.16
SN 6	6	-12	100	1000	0.23
SN 8	8	-5	200	1500	0.40
SN 10	10	-14	200	2000	0.62
SN 12	12	-6	200	3000	0.89
SN 13	13	-6	200	3000	1.04
SN 15	15	-17	300	4000	1.39
SN 16	16	-17	300	4000	1.58
SN 20	20	-7	300	5000	2.47
SN 25	25	-20	300	6000	3.85
SN 30	30	-20	300	6000	5.55
SN 35	35	-9	400	6000	7.55
SN 40	40	-9	400	6000	9.87
SN 50	50	-25	500	6000	15.4
SN 60	60	-10	600	6000	22.2
SN 80	80	-29	800	6000	39.5
SN100	100	-12	1000	6000	61.7
SN120	120	-34	1500	4500	88.8
SN150	150	-14/-39	1500	4500	139

material: high-carbon chromium bearing steel (SUJ2) hardness: 60HRC (HV697) or more  
Tolerances other than g6 are available upon request.

# SNS TYPE

– NB Stainless Steel Shaft –

## part number structure



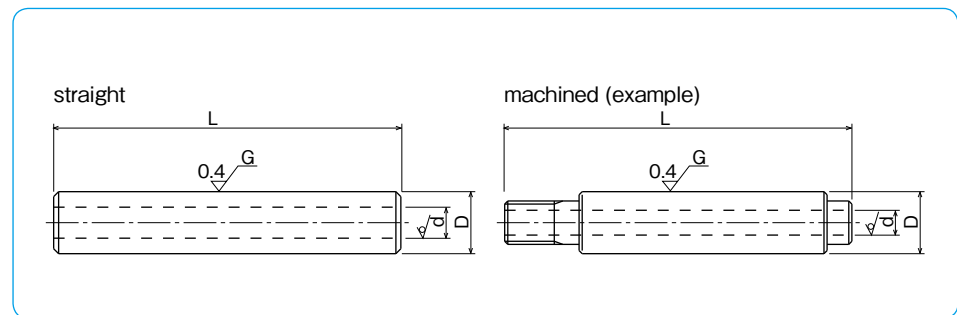
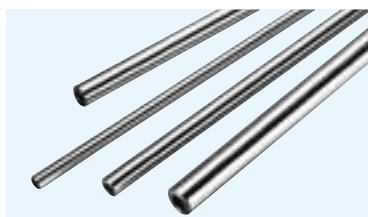
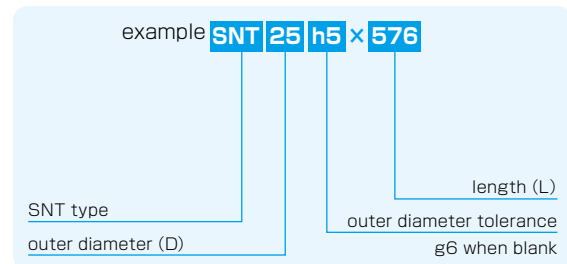
part number	outer diameter D mm	tolerance g6 μm	length L mm		mass Kg/m
			mm	mm	
SNS 3	3	-2/-8	50	300	0.06
SNS 4	4	-4	100	400	0.10
SNS 5	5	-12	100	500	0.16
SNS 6	6	-12	100	600	0.22
SNS 8	8	-5	200	1000	0.39
SNS 10	10	-14	200	1500	0.61
SNS 12	12	-6	200	2500	0.88
SNS 13	13	-6	200	3000	1.03
SNS 16	16	-17	300	4000	1.56
SNS 20	20	-7	300	5000	2.43
SNS 25	25	-20	300	6000	3.80
SNS 30	30	-20	300	6000	5.48
SNS 35	35	-9	400	6000	7.46
SNS 40	40	-9	400	6000	9.75
SNS 50	50	-25	500	6000	15.2
SNS 60	60	-10	600	6000	21.9
SNS 80	80	-29	800	6000	39.0
SNS100	100	-12/-34	1000	6000	60.9

material: martensite stainless steel (equivalent to SUS440C)  
hardness: 56HRC (HV613) or more  
The maximum length of hardening is up to 4500mm for shafts with diameter over 80mm.  
Tolerances other than g6 are available upon request.

# SNT TYPE

– NB Hollow Shaft –

## part number structure



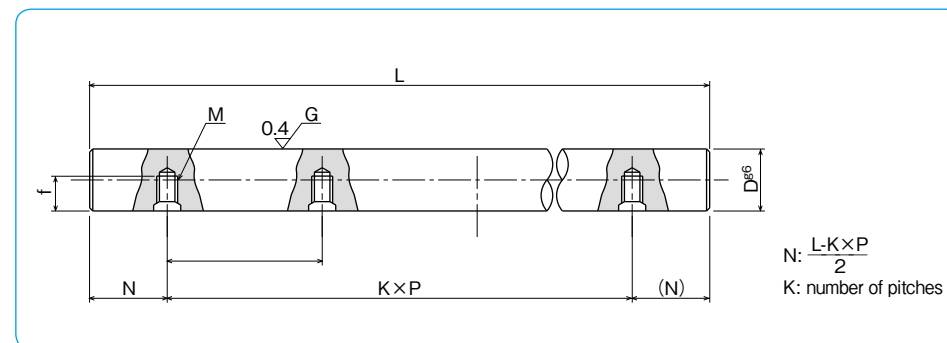
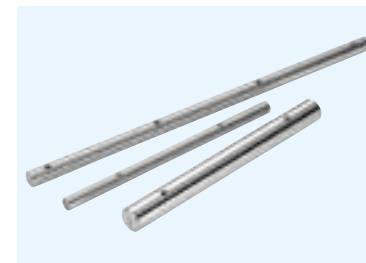
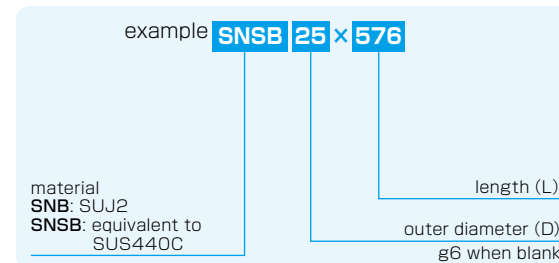
part number	outer diameter		inner diameter	length		mass
	D	tolerance		L	L	
	mm	g6 μm	d mm	mm		Kg/m
<b>SNT 6</b>	6	-4/-12	2	100	← 400	0.20
<b>SNT 8</b>	8	-5	3	200	← 600	0.34
<b>SNT 10</b>	10	-14	4	200	← 1000	0.52
<b>SNT 12</b>	12	-6	5	200	← 1500	0.73
<b>SNT 13</b>	13	-6	6	200	← 1500	0.82
<b>SNT 16</b>	16	-17	8	300	← 2500	1.18
<b>SNT 20</b>	20	-7	10	300	← 4000	1.85
<b>SNT 25</b>	25	-20	15	300	← 4000	2.46
<b>SNT 30</b>	30	-	16	300	← 4500	3.97
<b>SNT 35</b>	35	-	19	400	← 4500	5.32
<b>SNT 40</b>	40	-9	20	400	← 4500	7.39
<b>SNT 50</b>	50	-25	26	500	← 4500	11.3
<b>SNT 60</b>	60	-10	32	600	← 4500	15.9
<b>SNT 80</b>	80	-29	48	800	← 4500	25.3
<b>SNT100</b>	100	-12/-34	60	1000	← 4500	39.5

material: high-carbon chromium bearing steel (SUJ2)  
 hardness: 60HRC (HV697) or more  
 Tolerances other than g6 are available upon request.

# NB CENTER-LINED TAPPED SHAFT

A larger diameter shaft can overcome problems in maintaining precision functionality when a high or unbalanced load is applied. A combination of the center-lined tapped shaft together with the SA type support rail is ideal in such cases. (see pages F-18,19) The center-lined tapped shaft is standardized to simplify shaft selection.

## part number structure



## NB Center-Lined Tapped Shaft

part number	outer diameter	tolerance	pitch	screw	tap	maximum
	D	g6*	P	size	depth	length
	mm	μm	mm	M	f	L <sub>max</sub>
					mm	mm
<b>SNB10</b>	10	-5/-14	100	M4	4.5	1,500
<b>SNB12</b>	12	-6	100	M4	5.5	1,800
<b>SNB13</b>	13	-17	100	M4	6	2,000
<b>SNB16</b>	16	-	150	M5	7	4,000
<b>SNB20</b>	20	-7	150	M6	9	4,000
<b>SNB25</b>	25	-20	200	M6	12	4,000
<b>SNB30</b>	30	-	200	M8	15	4,500
<b>SNB35</b>	35	-9	200	M8	15	5,000
<b>SNB40</b>	40	-25	300	M8	18	6,000
<b>SNB50</b>	50	-	300	M10	22	6,000

material: high-carbon chromium bearing steel (SUJ2)  
 hardness: 60HRC (HV697) or more  
 \*g6 is a standard tolerance of the outer diameter.

## NB Center-Lined Tapped Stainless Steel Shaft

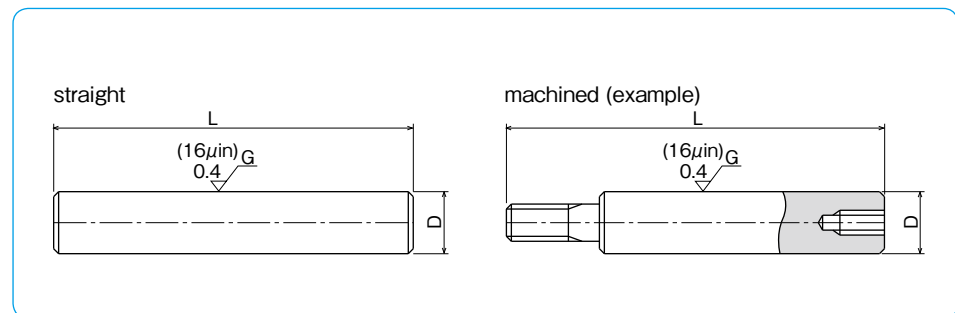
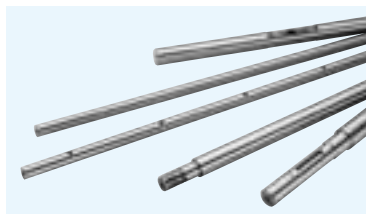
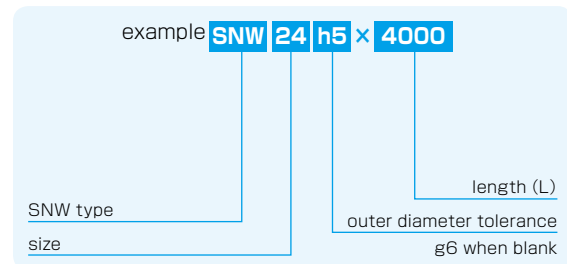
part number	outer diameter	tolerance	pitch	screw	tap	maximum
	D	g6*	P	size	depth	length
	mm	μm	mm	M	f	L <sub>max</sub>
					mm	mm
<b>SNSB16</b>	16	-6/-17	150	M5	7	2,000
<b>SNSB20</b>	20	-7	150	M6	9	3,000
<b>SNSB25</b>	25	-20	200	M6	12	4,000
<b>SNSB30</b>	30	-	200	M8	15	4,500
<b>SNSB35</b>	35	-9	200	M8	15	5,000
<b>SNSB40</b>	40	-25	300	M8	18	6,000
<b>SNSB50</b>	50	-	300	M10	22	6,000

material: martensite stainless steel (equivalent to SUS440C)  
 hardness: 56HRC (HV613) or more  
 \*g6 is a standard tolerance of the outer diameter.

# SNW TYPE

- NB Inch Shaft -

## part number structure



part number	outer diameter		length L	mass
	D	tolerance		
	inch	g6	inch	lbs/inch
	mm	inch/µm	mm	Kg/m
SNW 4	1/4 6.350	-0.0002 -0.0006	3.94 100 ← → 39.37 1000	0.014 0.25
SNW 6	3/8 9.525	-5 -14	7.84 200 ← → 59.06 1500	0.031 0.56
SNW 8	1/2 12.700	-0.0002 -0.0007	7.84 200 ← → 118.11 3000	0.056 0.99
SNW10	5/8 15.875	-6 -17	7.84 200 ← → 157.48 4000	0.086 1.55
SNW12	3/4 19.050	-0.0003 -0.0008	11.81 300 ← → 157.48 4000	0.125 2.24
SNW16	1 25.400	-7 -20	11.81 300 ← → 157.48 4000	0.222 3.98
SNW20	1-1/4 31.750	-0.0004 -0.0010	11.81 300 ← → 157.48 4000	0.348 6.22
SNW24	1-1/2 38.100	-9 -25	15.75 400 ← → 157.48 4000	0.500 8.95
SNW32	2 50.800	-0.0004 -0.0011	19.69 500 ← → 157.48 4000	0.890 15.91
SNW40	2-1/2 63.500	-10 -29	23.62 600 ← → 157.48 4000	1.391 25.00
SNW48	3 76.200	-9 -29	23.62 600 ← → 157.48 4000	2.003 37.92
SNW64	4 101.600	-0.0005/-0.0013 -12/-34	39.37 1000 ← → 157.48 4000	3.560 64.02

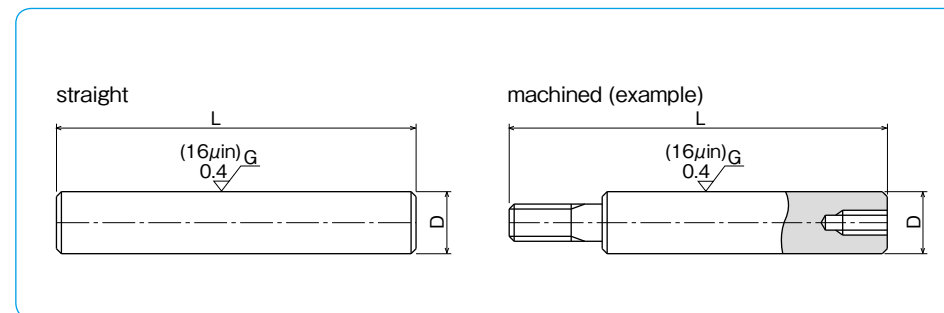
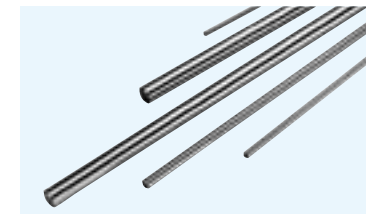
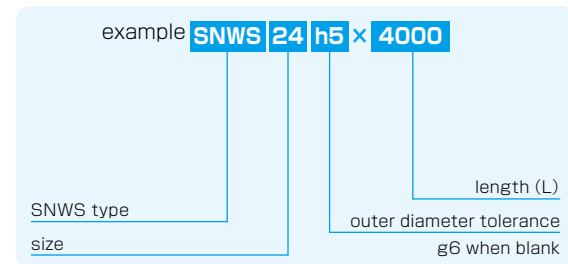
material: high-carbon chromium bearing steel (SUJ2)  
hardness: 60HRC (HV697) or more  
Tolerances other than g6 are available upon request.

1kg≒2.205lbs

# SNWS TYPE

- NB Inch Stainless Steel Shaft -

## part number structure



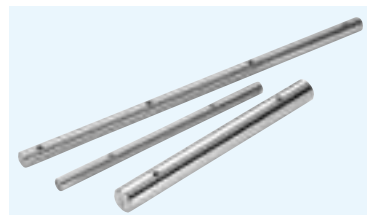
part number	outer diameter		length L	mass
	D	tolerance		
	inch	g6	inch	lbs/inch
	mm	inch/µm	mm	Kg/m
SNWS 4	1/4 6.350	-0.0002 -0.0006	3.94 100 ← → 23.62 600	0.014 0.25
SNWS 6	3/8 9.525	-5 -14	7.84 200 ← → 39.37 1000	0.031 0.55
SNWS 8	1/2 12.700	-0.0002 -0.0007	7.84 200 ← → 98.43 2500	0.056 0.98
SNWS10	5/8 15.875	-6 -17	7.84 200 ← → 118.11 3000	0.086 1.54
SNWS12	3/4 19.050	-0.0003 -0.0008	11.81 300 ← → 157.48 4000	0.125 2.22
SNWS16	1 25.400	-7 -20	11.81 300 ← → 157.48 4000	0.222 3.95
SNWS20	1-1/4 31.750	-0.0004 -0.0010	11.81 300 ← → 157.48 4000	0.420 6.16
SNWS24	1-1/2 38.100	-9 -25	15.75 400 ← → 157.48 4000	0.500 8.88
SNWS32	2 50.800	-0.0004/-0.0011 -10/-29	19.69 500 ← → 157.48 4000	0.890 15.78

material: martensite stainless steel (equivalent to SUS440C)  
hardness: 56HRC (HV613) or more  
Tolerances other than g6 are available upon request.

1kg≒2.205lbs

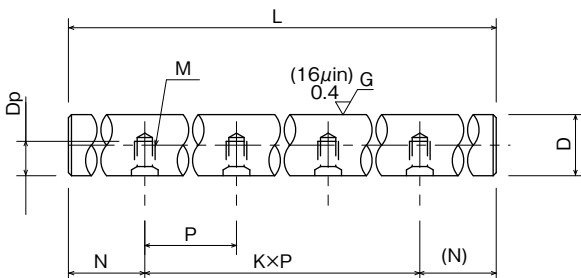
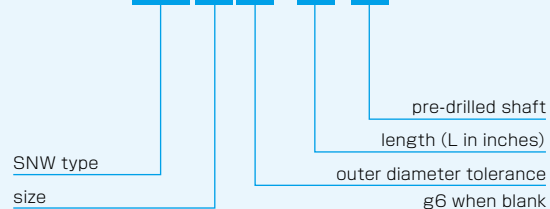
# SNW-PD

– NB Inch Pre-Drilled Shaft –



## part number structure

example **SNW 24 h5 x 72 - PD**



$$N: \frac{L-K \times P}{2}$$

K: number of pitches

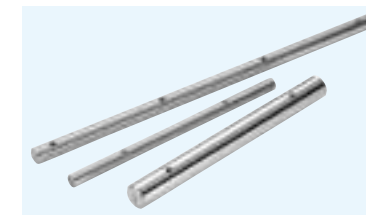
part number	outer diameter		pitch P inch/mm	bolt size M	tapped hole depth Dp inch/mm	maximum length L inch/mm
	D inch mm	tolerance g6* inch/µm				
<b>SNW 8-PD</b>	1/2 12.700	-.0002 -.0007	4 101.6	# 6-32	0.280 7.1	72 1,828.8
<b>SNW10-PD</b>	5/8 15.875	-6 -17			0.350 8.9	
<b>SNW12-PD</b>	3/4 19.050	-.0003 -.0008	6 152.4	# 10-32	0.400 10.2	
<b>SNW16-PD</b>	1 25.400	-7 -20			0.500 12.7	
<b>SNW20-PD</b>	1-1/4 31.750	-.0004 -.0010	8 203.2	5/16-18	0.650 16.5	
<b>SNW24-PD</b>	1-1/2 38.100	-9 -25			0.700 17.8	
<b>SNW32-PD</b>	2 50.800	-.0004/-0.0011 -10/-29		1/2-13	0.850 21.6	

material: high-carbon chromium bearing steel (SUJ2)  
hardness: 60HRC (HV697) or more  
Tolerances other than \*g6 are available upon request.  
Longer lengths are also available.

1kg≒2.205lbs

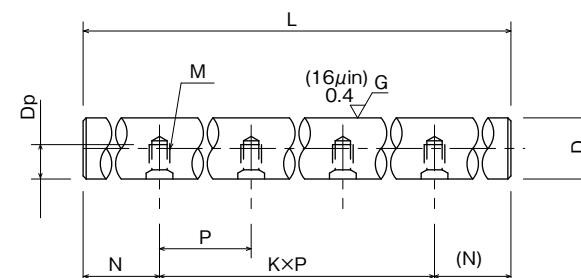
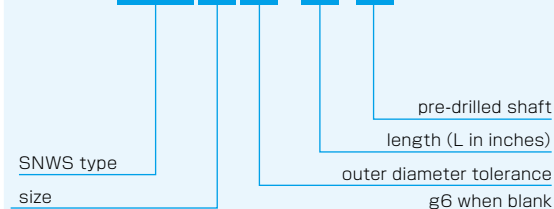
# SNWS-PD

– NB Inch Pre-Drilled Stainless Steel Shaft –



## part number structure

example **SNWS 24 h5 x 72 - PD**



$$N: \frac{L-K \times P}{2}$$

K: number of pitches

part number	outer diameter		pitch P inch/mm	bolt size M	tapped hole depth Dp inch/mm	maximum length L inch/mm
	D inch mm	tolerance g6* inch/µm				
<b>SNWS 12-PD</b>	3/4 19.050	-.0003 -.0008	6 152.4	#10-32	0.400 10.2	72 1,828.8
<b>SNWS 16-PD</b>	1 25.400	-7 -20			0.500 12.7	
<b>SNWS20-PD</b>	1-1/4 31.750	-.0004 -.0010	8 203.2	5/16-18	0.650 16.5	
<b>SNWS24-PD</b>	1-1/2 38.100	-9 -25			0.700 17.8	
<b>SNWS32-PD</b>	2 50.800	-.0004/-0.0011 -10/-29		1/2-13	0.850 21.6	

material: martensite stainless steel (equivalent to SUS440C)  
hardness: 56HRC (HV613) or more  
Tolerances other than \*g6 are available upon request.  
Longer lengths are also available.

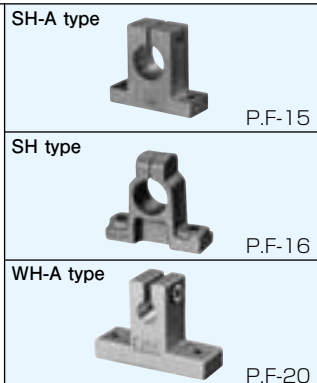


SHAFT SUPPORTER AND SHAFT SUPPORT RAIL

These components save design/assembling time and ease shaft installation.

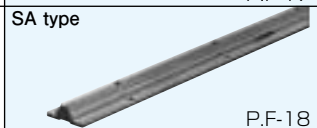
SH·SH-A·WH-A type

These are most commonly used compact shaft supporters. SH type is made of cast iron and SH-A/WH-A type is made of aluminum alloy.



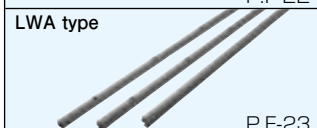
SHF·SHF-FC type

These are flanged type shaft supporters for a compact design. SHF is made of aluminum alloy and SHF-FC (shaft diameter 35 and over) is made of cast iron.



SA·WA·LWA type (shaft support rail)

These support rails support shafts from below to avoid shaft deflection for a long-stroke/high load application. This type is made of aluminum alloy.



ACCURACY OF SA TYPE SUPPORT RAIL

The accuracy of the SA support rails are measured as shown in Figure F-1.

Figure F-1 Measurement Method

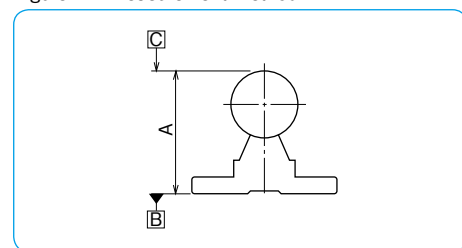
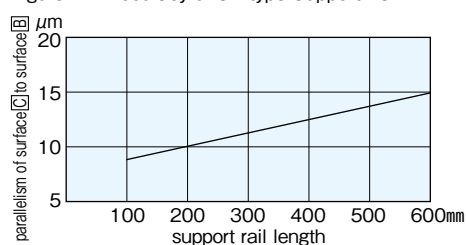
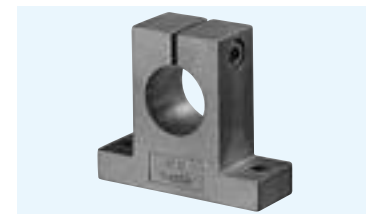


Figure F-2 Accuracy of SA type Support Rail

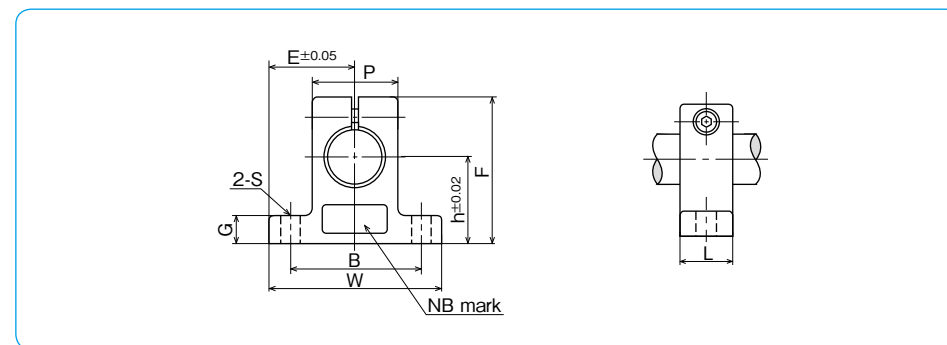
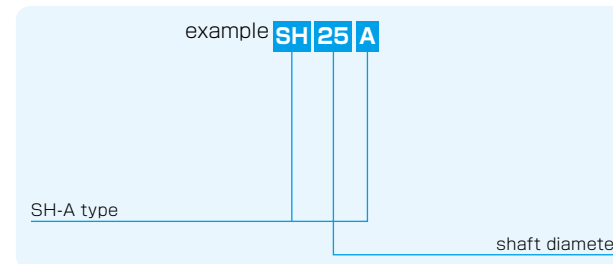


SH-A TYPE

– Shaft Supporter –



part number structure



part number	shaft diameter mm	major dimensions									tightening screw size	recommended torque N·m	mass g
		h mm	E mm	W mm	L mm	F mm	G mm	P mm	B mm	S mm			
SH 8A	8	20	21	42	14	32.8	6	18	32	5.5 (M5)	M4	2	24
SH10A	10	20	21	42	14	32.8	6	18	32	5.5 (M5)	M4	2	24
SH12A	12	23	21	42	14	37.5	6	20	32	5.5 (M5)	M4	2	30
SH13A	13	23	21	42	14	37.5	6	20	32	5.5 (M5)	M4	2	30
SH16A	16	27	24	48	16	44	8	25	38	5.5 (M5)	M4	2	40
SH20A	20	31	30	60	20	51	10	30	45	6.6 (M6)	M5	3	70
SH25A	25	35	35	70	24	60	12	38	56	6.6 (M6)	M6	5.5	130
SH30A	30	42	42	84	28	70	12	44	64	9 (M8)	M6	5.5	180
SH35A	35	50	49	98	32	82	15	50	74	11 (M10)	M8	13.5	270
SH40A	40	60	57	114	36	96	15	60	90	11 (M10)	M8	13.5	420
SH50A	50	70	63	126	40	120	18	74	100	14 (M12)	M12	29	750
SH60A	60	80	74	148	45	136	18	90	120	14 (M12)	M12	29	1,100

# SH TYPE

– Shaft Supporter –

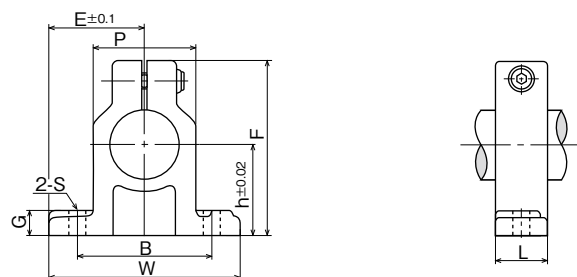


part number structure

example **SH 25**

SH type

shaft diameter



part number	shaft diameter mm	major dimensions									tightening screw		mass g
		h mm	E mm	W mm	L mm	F mm	G mm	P mm	B mm	S mm	size	recommended torque N · m	
SH10	10	20	22	44	15	35	7	19	32	4.5 (M4)	M4	2	80
SH13	13	23	25	50	17	40	8	17	32	7 (M5)	M4	2	120
SH16	16	27	27.5	55	17	45	10	25	38	7 (M5)	M4	2	120
SH20	20	31	32.5	65	20	53	12	30	45	8 (M6)	M5	3	190
SH25	25	35	38	76	24	61	12	35	56	8 (M6)	M6	5.5	300
SH30	30	42	42.5	85	28	73	15	42	64	10 (M8)	M6	5.5	490
SH35	35	50	50	100	32	87	15	50	74	12 (M10)	M8	13.5	690
SH40	40	60	60	120	36	104	18	58	90	12 (M10)	M10	29	1,200
SH50	50	70	70	140	40	122	20	68	100	14 (M12)	M12	29	1,700
SH60	60	80	82.5	165	45	140	23	80	120	14 (M12)	M12	29	2,500

# SHF TYPE

– Shaft Supporter Flange Type –



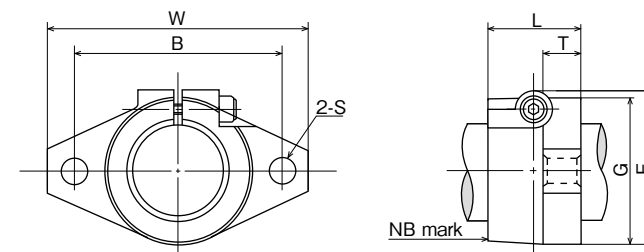
part number structure

example **SHF 35 FC**

SHF type

shaft diameter

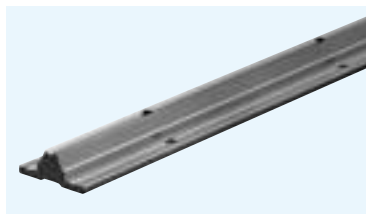
blank: aluminum alloy  
FC: cast iron



part number		shaft diameter mm	major dimensions							S mm	tightening screw		mass g	
aluminum alloy	cast iron		W mm	L mm	T mm	F mm	G mm	B mm	size		recommended torque N · m	aluminum alloy	cast iron	
SHF10	—	10	43	10	5	24	20	32	5.5 (M5)	M4	2	13	—	
SHF12	—	12	47	13	7	28	25	36	5.5 (M5)	M4	2	20	—	
SHF13	—	13	47	13	7	28	25	36	5.5 (M5)	M4	2	20	—	
SHF16	—	16	50	16	8	31	28	40	5.5 (M5)	M4	2	27	—	
SHF20	—	20	60	20	8	37	34	48	7 (M6)	M5	3	40	—	
SHF25	—	25	70	25	10	42	40	56	7 (M6)	M5	3	60	—	
SHF30	—	30	80	30	12	50	46	64	9 (M8)	M6	5.5	110	—	
SHF35	SHF35FC	35	92	35	14	58	50	72	12 (M10)	M8	13.5	140	380	
SHF40	SHF40FC	40	102	40	16	67	56	80	12 (M10)	M10	29	205	510	
SHF50	SHF50FC	50	122	50	19	83	70	96	14 (M12)	M12	29	360	890	
SHF60	SHF60FC	60	140	60	23	95	82	112	14 (M12)	M12	29	530	1,500	

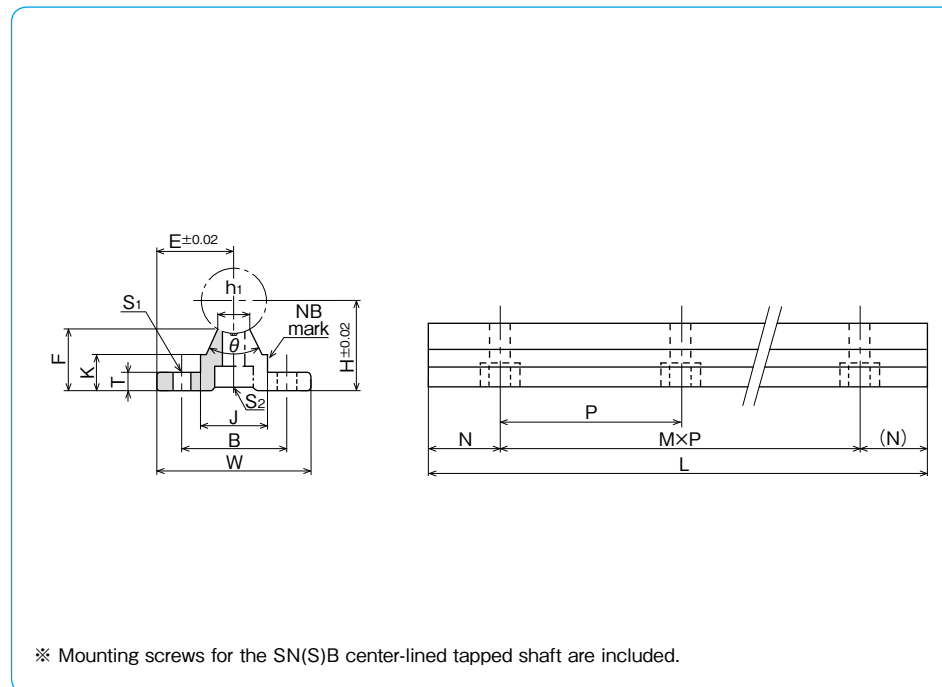
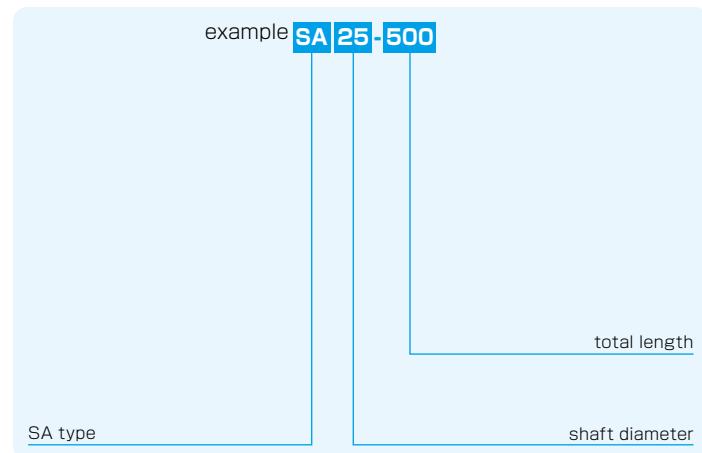
# SA TYPE

– Shaft Support Rail –



## part number structure

example SA 25-500



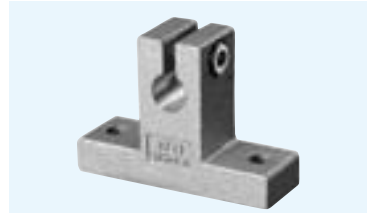
※ Mounting screws for the SN(S)B center-lined tapped shaft are included.

part number	shaft diameter mm	major dimensions												mass g				
		H	E	W	L	F	T	K	J	h <sub>1</sub>	θ	B	N		M×P	S <sub>1</sub>	S <sub>2</sub>	
SA10-200	10	18	16	32	200	13.5	4	8.9	12.4	4.7	80°	22	50	1×100	4.5	M4	110	
SA10-300					300								50	2×100				160
SA10-400					400								50	3×100				220
SA10-500					500								50	4×100				270
SA10-600					600								50	5×100				330
SA13-200	13	21	17	34	200	15	4.5	9.8	15	6	80°	25	50	1×100	4.5	M4	140	
SA13-300					300								50	2×100				210
SA13-400					400								50	3×100				280
SA13-500					500								50	4×100				350
SA13-600					600								50	5×100				420
SA16-200	16	25	20	40	200	17.8	5	11.7	18.5	8	80°	30	25	1×150	5.5	M5	200	
SA16-300					300								75	1×150				300
SA16-400					400								50	2×150				400
SA16-500					500								25	3×150				500
SA16-600					600								75	3×150				600
SA20-200	20	27	22.5	45	200	17.7	5	10	19	8	50°	30	25	1×150	5.5	M6	200	
SA20-300					300								75	1×150				300
SA20-400					400								50	2×150				400
SA20-500					500								25	3×150				510
SA20-600					600								75	3×150				610
SA25-200	25	33	27.5	55	200	21	6	12	21.5	8	50°	35	25	1×150	6.5	M6	290	
SA25-300					300								50	1×200				430
SA25-400					400								100	1×200				580
SA25-500					500								50	2×200				730
SA25-600					600								100	2×200				880

part number	shaft diameter mm	major dimensions												mass g				
		H	E	W	L	F	T	K	J	h <sub>1</sub>	θ	B	N		M×P	S <sub>1</sub>	S <sub>2</sub>	
SA30-200	30	37	30	60	200	22.8	7	13	26.5	10.3	50°	40	25	1×150	6.5	M8	360	
SA30-300					300								50	1×200				550
SA30-400					400								100	1×200				730
SA30-500					500								50	2×200				920
SA30-600					600								100	2×200				1,100
SA35-200	35	43	32.5	65	200	26.5	8	15.5	28	13	50°	45	25	1×150	9	M8	460	
SA35-300					300								50	1×200				700
SA35-400					400								100	1×200				950
SA35-500					500								50	2×200				1,190
SA35-600					600								100	2×200				1,420
SA40-200	40	48	37.5	75	200	29.4	9	17	38	16	50°	55	25	1×150	9	M8	630	
SA40-300					300								75	1×150				960
SA40-400					400								50	1×300				1,290
SA40-500					500								100	1×300				1,610
SA40-600					600								150	1×300				1,950
SA50-200	50	62	47.5	95	200	38.8	11	21	45	20	50°	70	25	1×150	11	M10	1,000	
SA50-300					300								75	1×150				1,500
SA50-400					400								50	1×300				2,000
SA50-500					500								100	1×300				2,500
SA50-600					600								150	1×300				3,000

# WH-A TYPE

– Shaft Supporter –  
(Inch Standard)



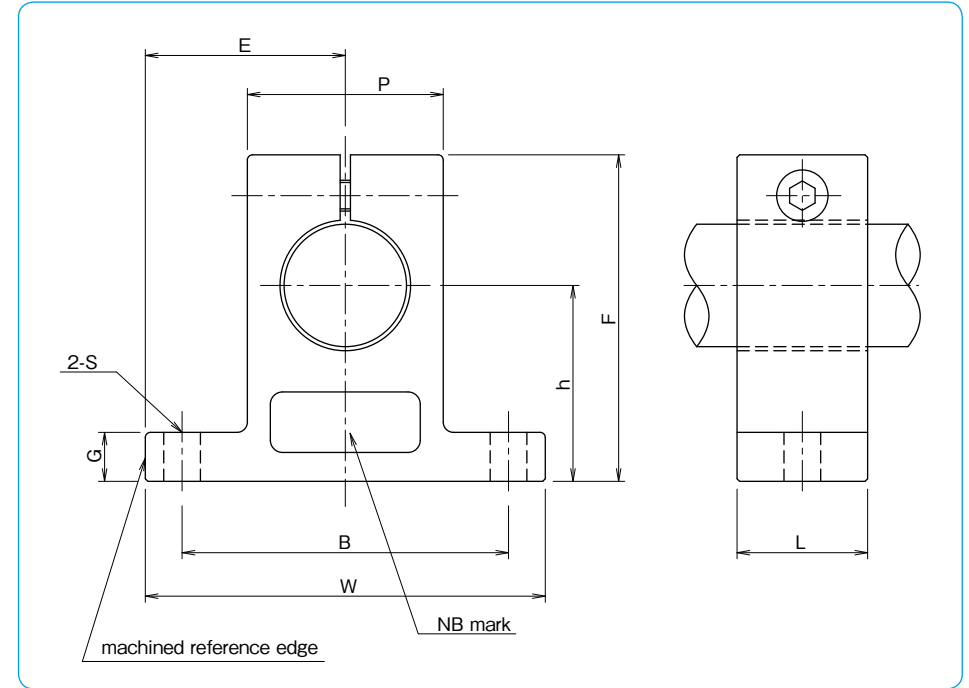
### part number structure

example **WH 24 A**

WH-A type

size

part number	shaft diameter inch	major dimensions				
		h ±.001 inch	E ±.005 inch	W inch	L inch	F inch
<b>WH 4A</b>	.2500	.6875	.7500	1.500	.500	1.063
<b>WH 6A</b>	.3750	.7500	.8125	1.625	.563	1.187
<b>WH 8A</b>	.5000	1.0000	1.0000	2.000	.625	1.625
<b>WH 10A</b>	.6250	1.0000	1.2500	2.500	.688	1.750
<b>WH 12A</b>	.7500	1.2500	1.2500	2.500	.750	2.063
<b>WH 16A</b>	1.0000	1.5000	1.5315	3.063	1.000	2.500
<b>WH 20A</b>	1.2500	1.7500	1.8750	3.750	1.125	3.000
<b>WH 24A</b>	1.5000	2.0000	2.1875	4.375	1.250	3.437
<b>WH 32A</b>	2.0000	2.5000	2.7500	5.500	1.500	4.375

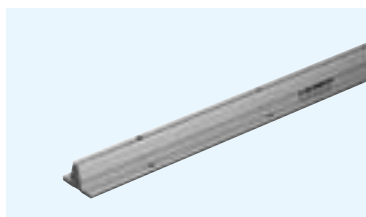


major dimensions					mass lbs	part number
G inch	P inch	B ±.01 inch	S inch	bolt#		
.250	.500	1.125	.156	# 6	.033	<b>WH 4A</b>
.250	.688	1.250	.156	# 6	.044	<b>WH 6A</b>
.250	.875	1.500	.188	# 8	.075	<b>WH 8A</b>
.313	1.000	1.875	.218	# 10	.106	<b>WH 10A</b>
.313	1.250	2.000	.218	# 10	.156	<b>WH 12A</b>
.375	1.500	2.500	.281	1/4	.294	<b>WH 16A</b>
.438	2.000	3.000	.346	5/16	.531	<b>WH 20A</b>
.500	2.250	3.500	.346	5/16	.725	<b>WH 24A</b>
.625	3.000	4.500	.406	3/8	1.400	<b>WH 32A</b>

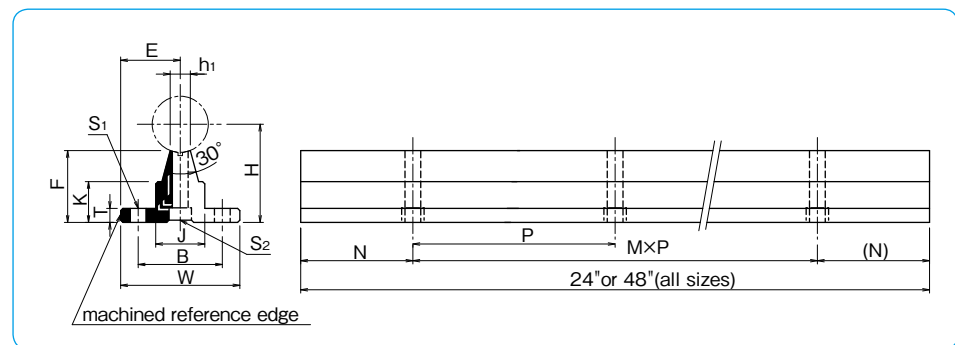
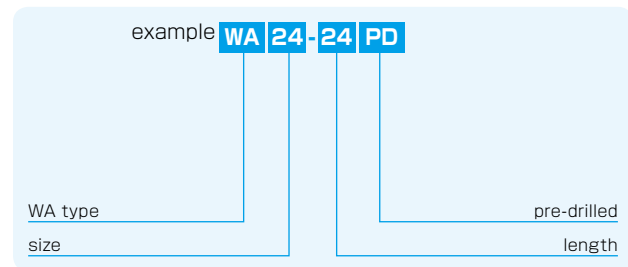
1kg≒2.205lbs  
1lb≒0.454kg

# WA TYPE

– Shaft Support Rail –  
(Inch Standard)



## part number structure

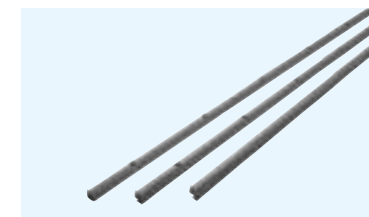


part number	shaft diameter inch	major dimensions								mounting dimensions				mass lbs				
		H ±.001 inch	E ±.005 inch	W inch	F inch	T inch	K inch	J inch	h <sub>1</sub> inch	B ±.01 inch	N inch	M×P inch	S <sub>1</sub> hole inch		S <sub>2</sub> hole inch			
WA 8-	24PD	.5000	1.125	.7500	1.500	.903	.188	.466	.500	.255	1.000	2	5×4	.169	#6	.169	#6	1.326
	48PD												11×4					2.652
WA10-	24PD	.6250	1.125	.8125	1.625	.841	.250	.423	.500	.276	1.125	2	5×4	.193	#8	.193	#8	1.488
	48PD												11×4					2.976
WA12-	24PD	.7500	1.500	.8750	1.750	1.158	.250	.592	.625	.322	1.250	3	3×6	.221	#10	.221	#10	2.100
	48PD												7×6					4.200
WA16-	24PD	1.0000	1.750	1.0625	2.125	1.280	.250	.727	.875	.359	1.500	3	3×6	.281	1/4	.281	1/4	2.776
	48PD												7×6					5.552
WA20-	24PD	1.2500	2.125	1.2500	2.500	1.537	.313	.799	1.100	.437	1.875	3	3×6	.343	5/16	.343	5/16	4.060
	48PD												7×6					8.120
WA24-	24PD	1.5000	2.500	1.5000	3.000	1.798	.375	.922	1.375	.558	2.250	4	2×8	.343	5/16	.406	3/8	5.840
	48PD												5×8					11.680
WA32-	24PD	2.0000	3.250	1.8750	3.750	2.322	.500	1.450	1.500	.800	2.750	4	2×8	.406	3/8	.531	1/2	9.500
	48PD												5×8					19.000

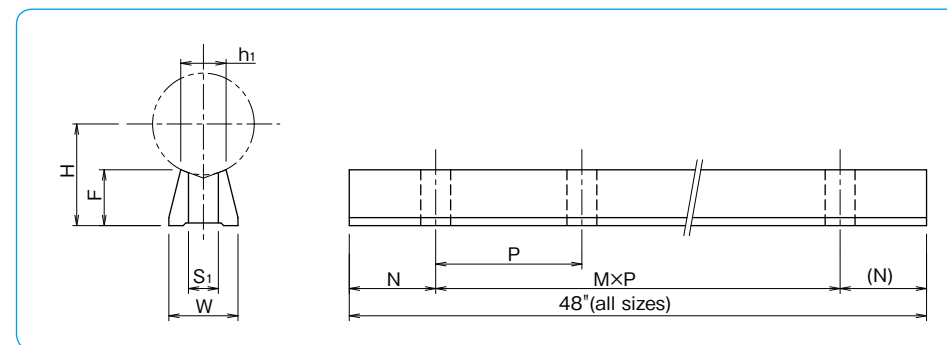
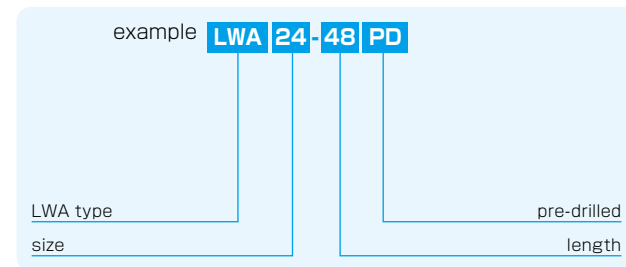
All sizes are also available without pre-drilled mounting holes.  
Complete shaft-rail assemblies are also available as well as custom drilling and lengths.  
Please send drawings with customer specifications.  
Product of NB Corporation of America

# LWA TYPE

– Low Shaft Support Rail –  
(Inch Standard)



## part number structure

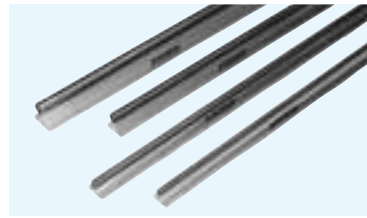


part number	shaft diameter inch	major dimensions			major dimensions			S <sub>1</sub> inch	mass lb
		H ±.002 inch	W inch	F inch	N inch	M×P inch	h <sub>1</sub> inch		
LWA 8-48 PD	.5000	.5625	.37	.342	2	11×4	0.25	.169	0.11
LWA 10-48 PD	.6250	.6875	.45	.405	2	11×4	0.276	.193	0.17
LWA 12-48 PD	.7500	.7500	.51	.409	3	7×6	0.317	.220	0.20
LWA 16-48 PD	1.0000	1.0000	.69	.545	3	7×6	0.422	.283	0.35
LWA 20-48 PD	1.2500	1.1875	.78	.617	3	7×6	0.520	.343	0.44
LWA 24-48 PD	1.5000	1.3750	.93	.691	4	5×8	0.630	.406	0.58
LWA 32-48 PD	2.0000	1.7500	1.18	.836	4	5×8	0.824	.531	0.89

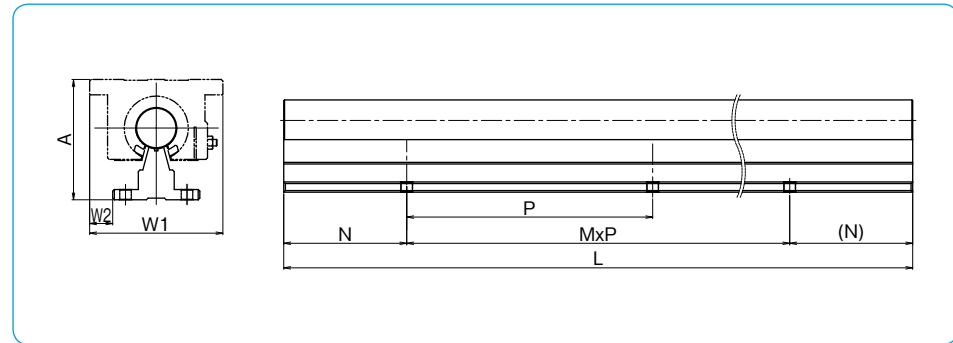
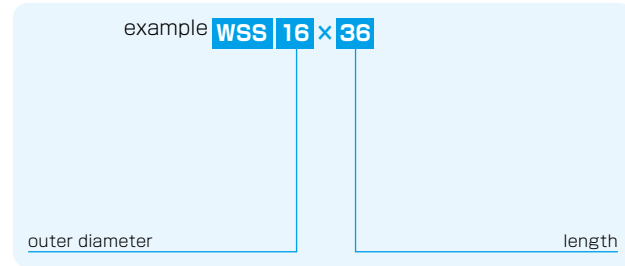
Product of NB Corporation of America  
1kg≐2.205lbs  
1lb≐0.454kg

# WSS TYPE

– Shaft Support Assembly –  
(Standard Type)



### part number structure

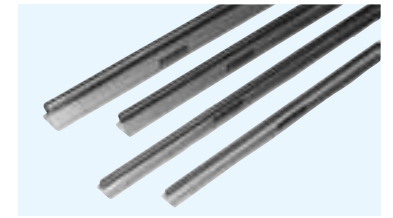


Part Number	Outer Diameter inch/mm	Outer Assembly Dimensions			Base Mounting Holes		Maximum Length	Weight lbs/ft kg/m
		A inch/mm	W1 inch/mm	W2 inch/mm	N inch/mm	P inch/mm		
<b>WSS 8</b>	1/2	1.812	2.000	0.2500	2.000	4.000	168	1.26
	12.700	46.02	50.80	6.35	50.80	101.60	4267.2	1.88
<b>WSS 10</b>	5/8	2.000	2.500	0.4375	2.000	4.000	180	1.83
	15.875	50.80	63.50	11.11	50.80	101.60	4572.0	2.72
<b>WSS 12</b>	3/4	2.437	2.750	0.5000	3.000	6.000	204	2.50
	19.050	61.90	69.85	12.70	76.20	152.40	5181.6	3.72
<b>WSS 16</b>	1	2.937	3.250	0.5625	3.000	6.000	204	4.06
	25.400	74.60	82.55	14.29	76.20	152.40	5181.6	6.04
<b>WSS 20</b>	1-1/4	3.625	4.000	0.7500	3.000	6.000	204	6.28
	31.750	92.08	101.60	19.05	76.20	152.40	5181.6	9.35
<b>WSS 24</b>	1-1/2	4.250	4.750	0.8750	4.000	8.000	204	8.60
	38.100	107.95	120.65	22.23	101.60	203.20	5181.6	12.8
<b>WSS 32</b>	2	5.375	6.000	1.1250	4.000	8.000	204	14.88
	50.800	136.53	152.40	28.58	101.60	203.20	5181.6	22.14

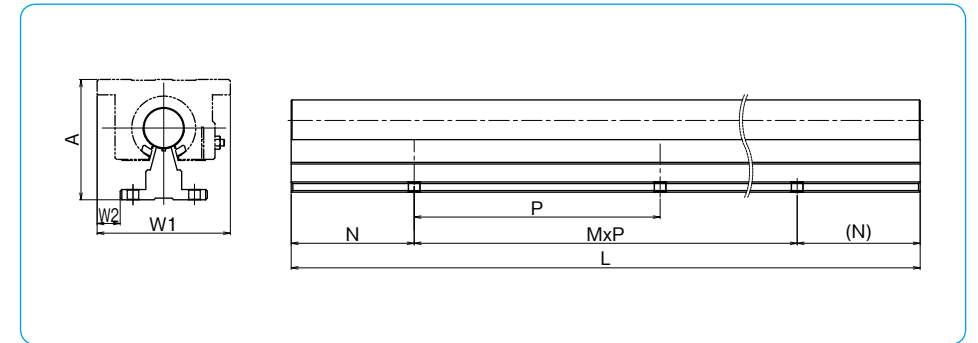
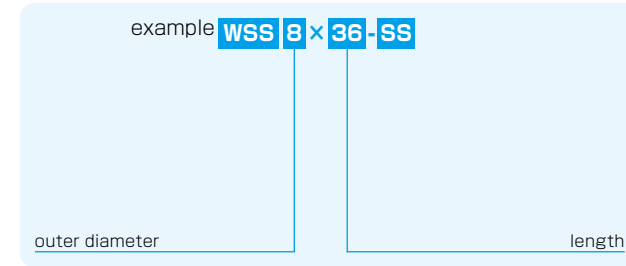
Product of NB Corporation of America

# WSS-SS TYPE

– Shaft Support Assembly –  
(Stainless Steel Type)



### part number structure



Part Number	Outer Diameter inch/mm	Outer Assembly Dimensions			Base Mounting Holes		Maximum Length	Weight lbs/ft kg/m
		A inch/mm	W1 inch/mm	W2 inch/mm	N inch/mm	P inch/mm		
<b>WSS 8-SS</b>	1/2	1.812	2.000	0.2500	2.000	4.000	158	1.26
	12.700	46.02	50.80	6.35	50.80	101.60	4013.2	1.88
<b>WSS 10-SS</b>	5/8	2.000	2.500	0.4375	2.000	4.000	158	1.83
	15.875	50.80	63.50	11.11	50.80	101.60	4013.2	2.72
<b>WSS 12-SS</b>	3/4	2.437	2.750	0.5000	3.000	6.000	158	2.50
	19.050	61.90	69.85	12.70	76.20	152.40	4013.2	3.72
<b>WSS 16-SS</b>	1	2.937	3.250	0.5625	3.000	6.000	158	4.06
	25.400	74.60	82.55	14.29	76.20	152.40	4013.2	6.04
<b>WSS 20-SS</b>	1-1/4	3.625	4.000	0.7500	3.000	6.000	158	6.28
	31.750	92.08	101.60	19.05	76.20	152.40	4013.2	9.35
<b>WSS 24-SS</b>	1-1/2	4.250	4.750	0.8750	4.000	8.000	158	8.60
	38.100	107.95	120.65	22.23	101.60	203.20	4013.2	12.8
<b>WSS 32-SS</b>	2	5.375	6.000	1.1250	4.000	8.000	204	14.88
	50.800	136.53	152.40	28.58	101.60	203.20	5181.6	22.14

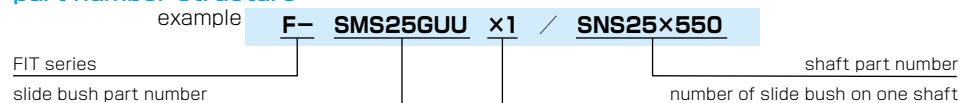
Product of NB Corporation of America

## FIT SERIES

Due to the combined tolerances of the bush's bore and the shaft's diameter, accuracy can be affected by clearance or increased dynamic friction caused by preloading.

NB's FIT Series takes advantages of the lower cost slide bush and the precision ground shaft to achieve a target clearance in order for the linear system to produce a smooth, high-accuracy performance.

### part number structure



- Please refer to corresponding catalog pages for details.
- Please specify on the drawing about the shaft machining, radial clearance, match-marking, etc.

### Recommended Radial Clearance

Depending on the type of application, the clearance range varies, please use the chart below as a guideline.

target	clearance (+)	← 0 →	clearance (-)
light motion	[Bar chart showing positive clearance range]		
high accuracy	[Bar chart showing narrow clearance range around 0]		
no play	[Bar chart showing negative clearance range]		

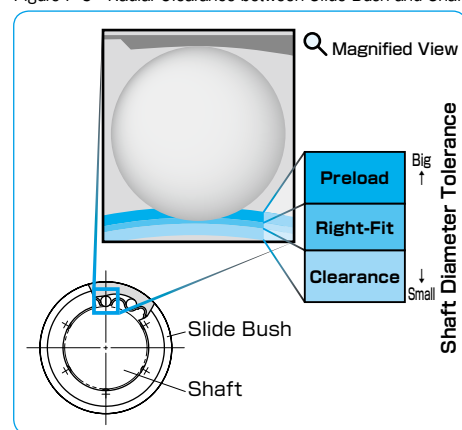
### Slide Bush, Radial Clearance (-), Negative Limit

Negative clearance is opted to reduce backlash. Please refer to the chart below for the negative clearance limits.

size	3~8	10~13	16~25	30~35	40	50~60
radial clearance limit	-3μm	-4μm	-6μm	-8μm	-10μm	-13μm

- The off-center of the housing causes uneven loading on the slide bush, please pay special attention to the centering of the housing especially when negative clearance is a requirement.
- Please contact NB for details on the extra preloading requirement or on other part numbers like SRE, SR, etc.

Figure F-3 Radial Clearance between Slide Bush and Shaft

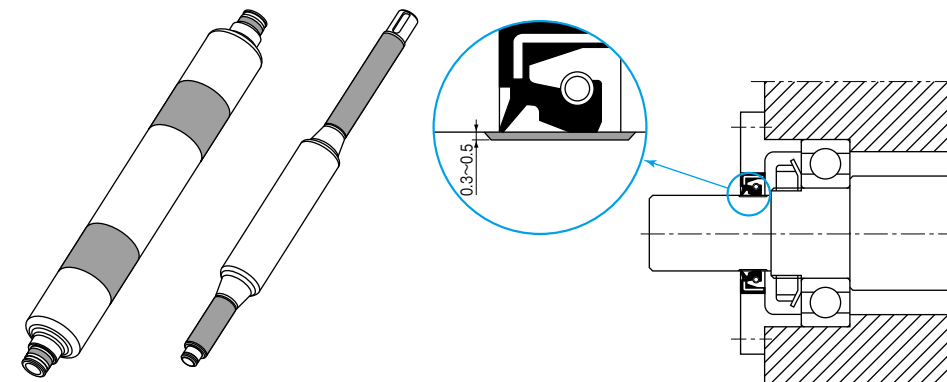


## THERMAL-SPRAYING CERAMIC-COATING SPECIFICATIONS

### ADVANTAGES

Parts that require wear and corrosion resistance can be thermal-sprayed with a ceramic material per NB's ceramic-coating specifications. Ceramic-coating can be applied to a wide variety of materials. The pores in the coated layer result in good lubrication characteristics and can be sealed to achieve high corrosion resistance.

### APPLICATION EXAMPLE



Application of a ceramic coating to oil-sealing parts, rollers, and roll shafts results in good lubrication and high wear/corrosion resistance characteristics.

Note: Ceramic coated surface cannot be used as the inner race for a slide bush.

### REFERENCE

#### Standard Coating Materials

High-carbon chromium bearing steel (SUJ2)	Martensite stainless steel (equivalent to SUS440C)
Chrome molybdenum steel (SCM415, 435)	Austenite stainless steel (SUS303, 304)
Carbon steel for machinery (S45C)	Tool steel (SKS3, SK4)

Proper heat treatment can be done on your request. Thermal-spraying ceramic-coating is applicable to other materials as well.

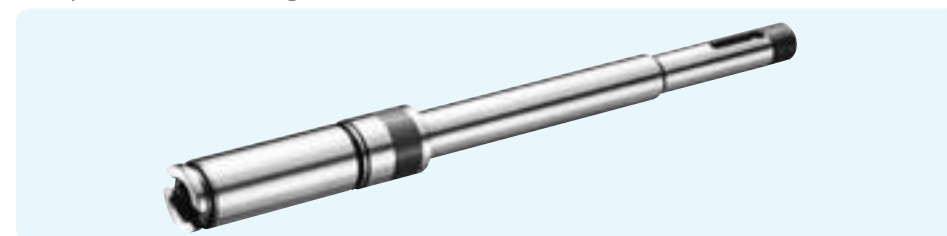
#### Standard Ceramic for Thermal-Spraying

main component	specific gravity	hardness	characteristics
TiO <sub>2</sub> titanium dioxide	4.7	58HRC	max. temp. 540°C color: black fine coating fine surface finish

thermal-spraying layer thickness: 0.3-0.5mm

Other types of ceramic materials can be thermal-sprayed. Contact NB for more information.

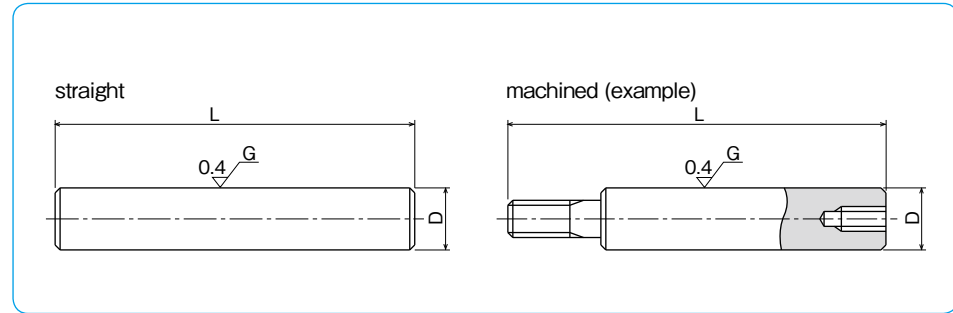
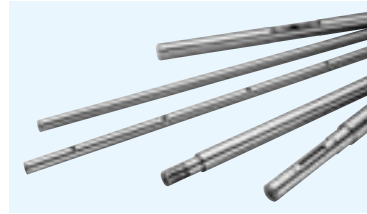
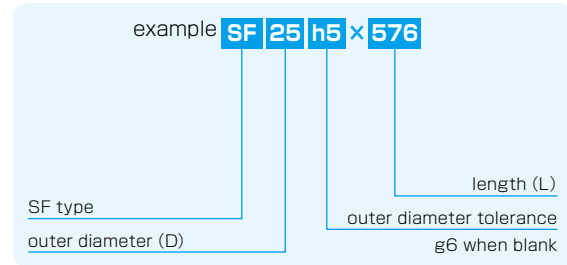
### Example of Ceramic Coating



# SF TYPE

– NBCA Shaft –

## part number structure



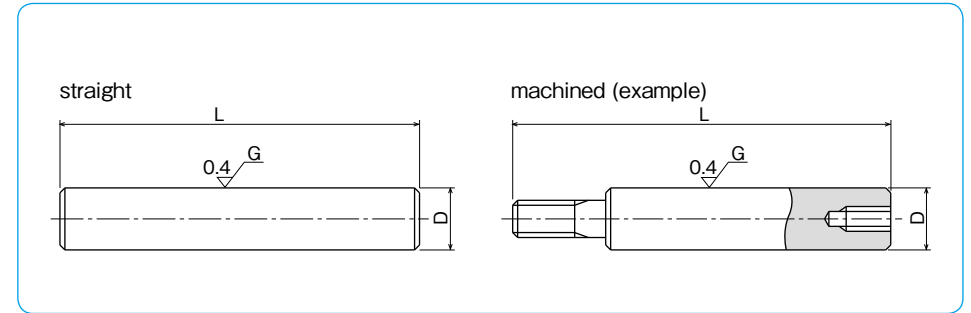
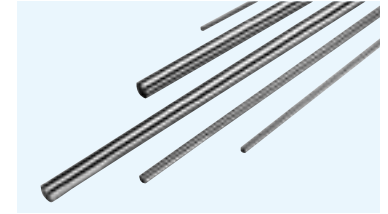
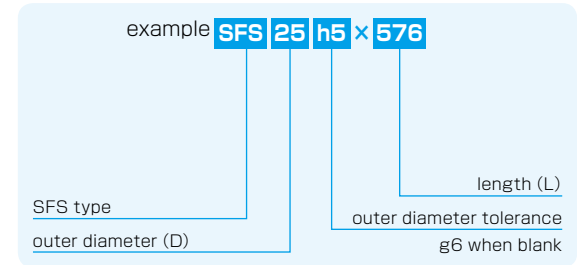
part number	outer diameter D mm	outer diameter tolerance g6 μm	length L mm	mass Kg/m
SF 6	6	-4/-12	100 ← → 3000	0.23
SF 8	8	- 5	100 ← → 3000	0.40
SF 10	10	-14	100 ← → 3000	0.62
SF 12	12		100 ← → 3000	0.89
SF 13	13	- 6	100 ← → 3000	1.04
SF 15	15	-17	100 ← → 3000	1.39
SF 16	16		100 ← → 3000	1.58
SF 20	20	- 7	100 ← → 3000	2.47
SF 25	25	-20	100 ← → 3000	3.85
SF 30	30		100 ← → 3000	5.55
SF 35	35	- 9	100 ← → 3000	7.55
SF 40	40	-25	100 ← → 3000	9.87
SF 50	50		100 ← → 3000	15.4

material: Equivalent to SUJ2 hardness: 60HRC (HV697) or more  
Tolerances other than g6 are available upon request.  
Product of NB Corporation of America

# SFS TYPE

– NBCA Stainless Steel Shaft –

## part number structure



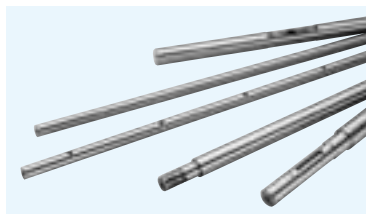
part number	outer diameter D mm	outer diameter tolerance g6 μm	length L mm	mass Kg/m
SFS 6	6	-4/-12	100 ← → 3000	0.22
SFS 8	8	- 5	100 ← → 3000	0.39
SFS 10	10	-14	100 ← → 3000	0.61
SFS 12	12		100 ← → 3000	0.88
SFS 13	13	- 6	100 ← → 3000	1.03
SFS 16	16	-17	100 ← → 3000	1.56
SFS 20	20	- 7	100 ← → 3000	2.43
SFS 25	25	-20	100 ← → 3000	3.80
SFS 30	30		100 ← → 3000	5.48
SFS 35	35	- 9	100 ← → 3000	7.46
SFS 40	40	-25	100 ← → 3000	9.75
SFS 50	50		100 ← → 3000	15.2

material: Equivalent to SUS440C  
hardness: 52HRC (HV544) or more  
Tolerances other than g6 are available upon request.  
Product of NB Corporation of America

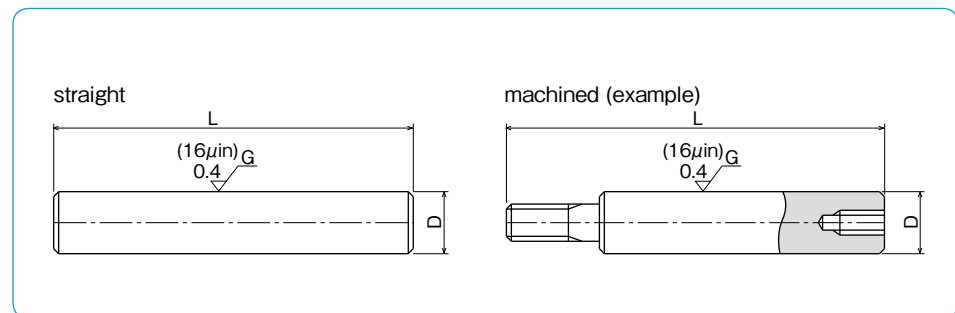
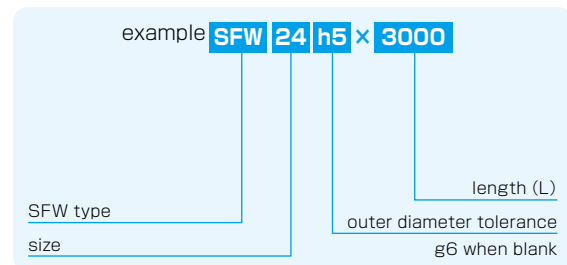


# SFW TYPE

– NBCA Inch Shaft –



## part number structure

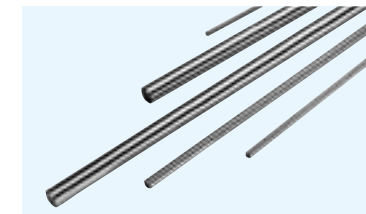


Part Number	Outer Diameter		Length L inch/mm	Mass lbs/inch kg/m
	D inch/mm	g6 inch/mm		
SFW 4	1/4	−.0002	2	120
	6.350	−.0006	50.8	3048
SFW 6	3/8	−5	2	120
	9.525	−14	50.8	3048
SFW 8	1/2	−.0002	2	120
	12.700	−.0007	50.8	3048
SFW 10	5/8	−6	2	120
	15.875	−17	50.8	3048
SFW 12	3/4	−.0003	2	120
	19.050	−.0008	50.8	3048
SFW 16	1	−7	2	120
	25.400	−20	50.8	3048
SFW 20	1-1/4	−.0004	2	120
	31.750	−.0011	50.8	3048
SFW 24	1-1/2	−10	2	120
	38.100	−29	50.8	3048
SFW 32	2	−.0005/−.0013	2	120
	50.800	−12/−34	50.8	3048

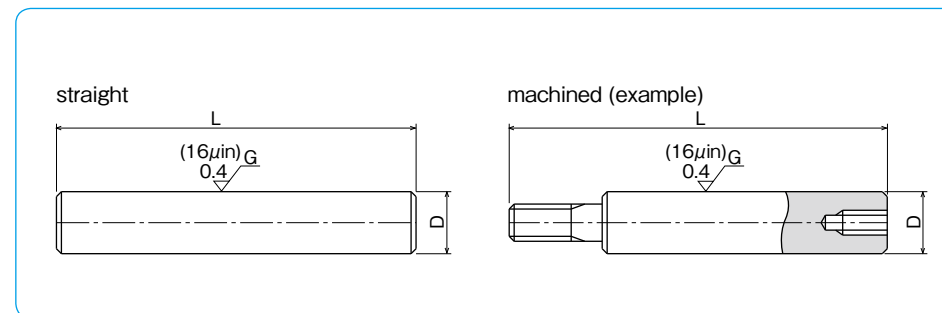
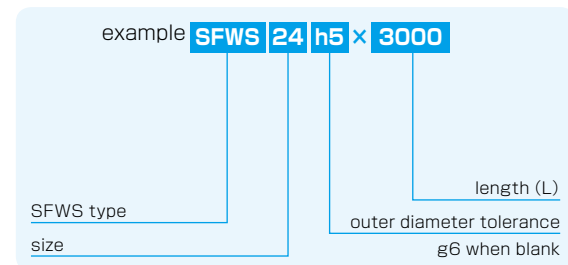
material: Equivalent to SUJ2  
 hardness: 60 HRC or more  
 Tolerances: g6 or to be specified  
 Product of NB Corporation of America  
 1kg≐2.205lbs

# SFWS TYPE

– NBCA Inch Stainless Steel Shaft –



## part number structure

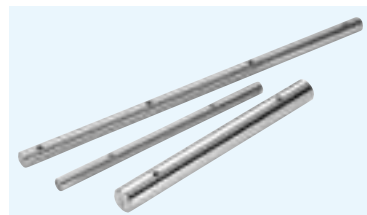


Part Number	Outer Diameter		Length L inch/mm	Mass lbs/inch kg/m
	D inch/mm	g6 inch/mm		
SFWS 2	1/8	−.0002	2	16
	3.175	−.0005	50.8	406.4
SFWS 3	3/16	−5	2	16
	4.763	−12	50.8	406.4
SFWS 4	1/4	−.0002	2	120
	6.350	−.0006	50.8	3048
SFWS 6	3/8	−5	2	120
	9.525	−14	50.8	3048
SFWS 8	1/2	−.0002	2	120
	12.700	−.0007	50.8	3048
SFWS 10	5/8	−6	2	120
	15.875	−17	50.8	3048
SFWS 12	3/4	−.0003	2	120
	19.050	−.0008	50.8	3048
SFWS 16	1	−7	2	120
	25.400	−20	50.8	3048
SFWS 20	1-1/4	−.0004	2	120
	31.750	−.0011	50.8	3048
SFWS 24	1-1/2	−10	2	120
	38.100	−29	50.8	3048
SFWS 32	2	−.0005/−.0013	2	120
	50.800	−12/−34	50.8	3048

material: Equivalent to SUS440C  
 hardness: 52 HRC or more  
 Tolerances: g6 or to be specified  
 Product of NB Corporation of America  
 1kg≐2.205lbs

# SFW-PD

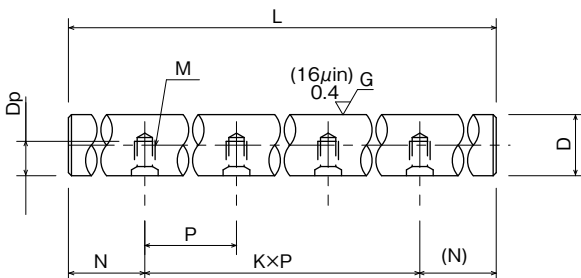
– NBCA Inch Pre-Drilled Shaft –



## part number structure

example **SFW 24 x 72 - PD**

SFW type size      pre-drilled shaft length (L in inches)



$$N: \frac{L-K \times P}{2}$$

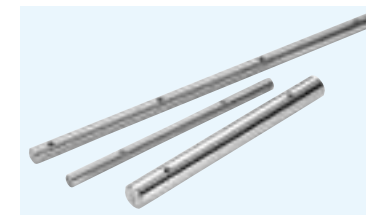
K: number of pitches

Part Number	Outer Diameter		Pitch P inch/mm	Bolt Size M	Tapped Hole Depth Dp inch/mm	Maximum Length L inch/mm
	D inch/mm	inch/mm				
<b>SFW 8-PD</b>	1/2	-.0005	4	# 6-32	0.280 7.1	168 4267.2
	12.700	-.0010				
<b>SFW 10-PD</b>	5/8	-13	101.6	# 8-32	0.350 8.9	180 4572
	15.875	-25				
<b>SFW 12-PD</b>	3/4	-.0005	6	# 10-32	0.400 10.2	204 5181.6
	19.050					
<b>SFW 16-PD</b>	1	-13	152.4	1/4-20	0.500 12.7	204 5181.6
	25.400	-25				
<b>SFW 20-PD</b>	1-1/4	-.0005	8	5/16-18	0.650 16.5	204 5181.6
	31.750					
<b>SFW 24-PD</b>	1-1/2	-13	203.2	3/8-16	0.700 17.8	204 5181.6
	38.100	-25				
<b>SFW 32-PD</b>	2	-.0005	8	1/2-13	0.850 21.6	204 5181.6
	50.800					

material: Equivalent to SUJ2  
hardness: 60 HRC or more  
Product of NB Corporation of America  
1kg≒2.205lbs

# SFWS-PD

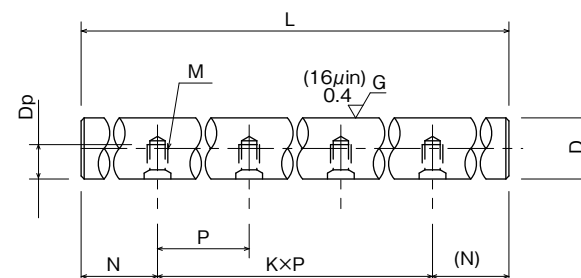
– NBCA Inch Pre-Drilled Stainless Steel Shaft –



## part number structure

example **SFWS 24 x 72 - PD**

SFWS type size      pre-drilled shaft length (L in inches)



$$N: \frac{L-K \times P}{2}$$

K: number of pitches

Part Number	Outer Diameter		Pitch P inch/mm	Bolt Size M	Tapped Hole Depth Dp inch/mm	Maximum Length L inch/mm
	D inch/mm	inch/mm				
<b>SFWS 8-PD</b>	1/2	-.0005	4	# 6-32	0.280 7.1	158 4013.2
	12.700	-.0010				
<b>SFWS 10-PD</b>	5/8	-13	101.6	# 8-32	0.350 8.9	158 4013.2
	15.875	-25				
<b>SFWS 12-PD</b>	3/4	-.0005	6	# 10-32	0.400 10.2	158 4013.2
	19.050					
<b>SFWS 16-PD</b>	1	-13	152.4	1/4-20	0.500 12.7	158 4013.2
	25.400	-25				
<b>SFWS 20-PD</b>	1-1/4	-.0005	8	5/16-18	0.650 16.5	158 4013.2
	31.750					
<b>SFWS 24-PD</b>	1-1/2	-13	203.2	3/8-16	0.700 17.8	158 4013.2
	38.100	-25				
<b>SFWS 32-PD</b>	2	-.0005	8	1/2-13	0.850 21.6	158 4013.2
	50.800					

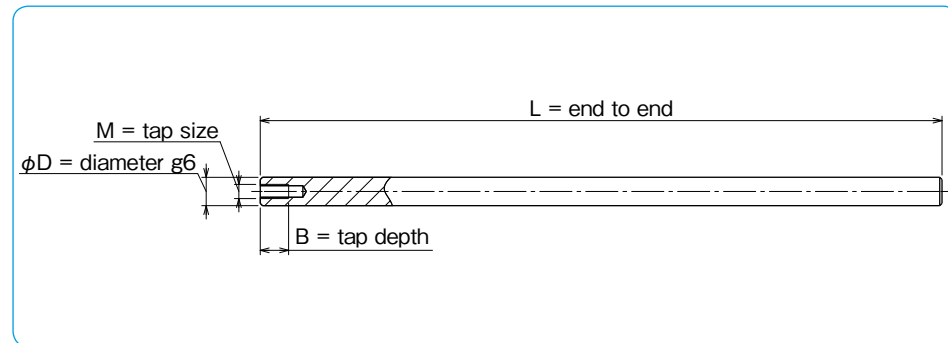
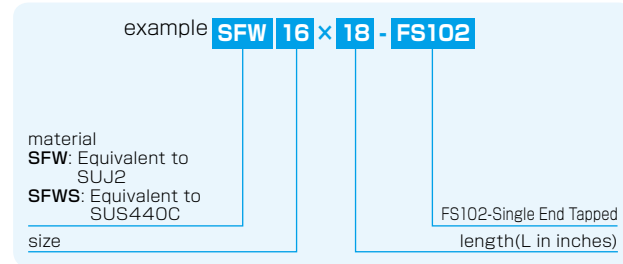
material: Equivalent to SUS440C  
hardness: 52 HRC or more  
Product of NB Corporation of America  
1kg≒2.205lbs

### SFW-FS102/SFWS-FS102 TYPE

– Format Single End Tapped Inch Shaft –



part number structure

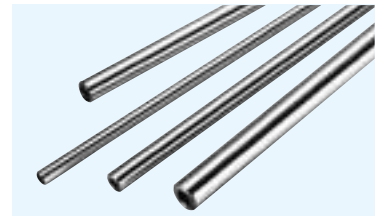


Part Number SFW	Part Number SFWS	Outer Diameter D		Tap Size M	Tap Depth B	Length in mm							
		inch/mm	inch/mm			6	8	9*	10*	12	18	24	36
<b>SFW 4-FS102</b>		1/4	-.0002	# 5-40	0.250"	6	8			12	18	24	36
		6.350	-.0006			152.4	203.2			304.8	457.2	609.6	
<b>SFW 6-FS102</b>	<b>SFWS 6-FS102</b>	3/8	-5	# 8-32	0.330"	6	8*	9*	10*	12	18	24	36
		9.525	-14			152.4	203.2	228.6	254	304.8	457.2	609.6	914.4
<b>SFW 8-FS102</b>	<b>SFWS 8-FS102</b>	1/2	-.0002	1/4-20	0.500"	6	8*	9*	10*	12	18	24	36
		12.700	-.0007			152.4	203.2	228.6	254	304.8	457.2	609.6	914.4
<b>SFW 10-FS102</b>	<b>SFWS10-FS102</b>	5/8	-6	1/4-20	0.500"	6	8*	9*	10*	12	18	24	36
		15.875	-17			152.4	203.2	228.6	254	304.8	457.2	609.6	914.4
<b>SFW 12-FS102</b>	<b>SFWS12-FS102</b>	3/4	-.0003	5/16-18	0.625"	6	8*	9*	10*	12	18	24	36
		19.050	-.0008			152.4	203.2	228.6	254	304.8	457.2	609.6	914.4
<b>SFW 16-FS102</b>	<b>SFWS16-FS102</b>	1	-7	3/8-16	0.750"	6	8*	9*	10*	12	18	24	36
		25.400	-20			152.4	203.2	228.6	254	304.8	457.2	609.6	914.4
<b>SFW 20-FS102</b>	<b>SFWS20-FS102</b>	1-1/4	-.0004	1/2-13	1.000"	6	8*	9*	10*	12	18	24	36
		31.750	-.0011			152.4	203.2	228.6	254	304.8	457.2	609.6	914.4
<b>SFW 24-FS102</b>	<b>SFWS24-FS102</b>	1-1/2	-10	5/8-11	1.250"	6				12	18	24	36
		38.100	-29			152.4				304.8	457.2	609.6	914.4

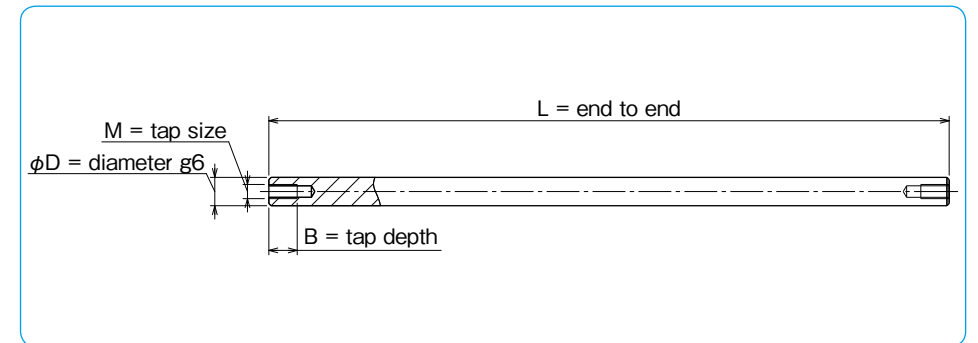
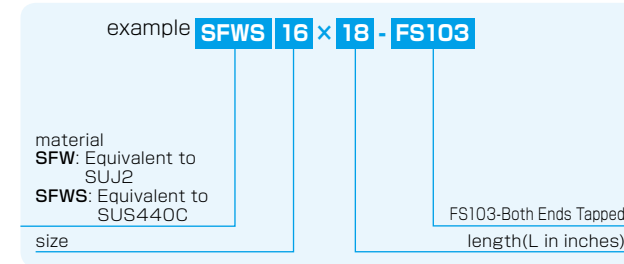
hardness of SFW: 60 HRC or more  
 hardness of SFWS: 52 HRC or more  
 Product of NB Corporation of America  
 \* SFWS is not available

### SFW-FS103/SFWS-FS103 TYPE

– Format Both Ends Tapped Inch Shaft –



part number structure

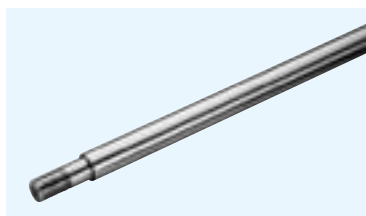


Part Number SFW	Part Number SFWS	Outer Diameter D		Tap Size M	Tap Depth B	Length in mm							
		inch/mm	inch/mm			6	8	9*	10*	12	18	24	36
<b>SFW 4-FS103</b>		1/4	-.0002	# 5-40	0.250"	6	8			12	18	24	36
		6.350	-.0006			152.4	203.2			304.8	457.2	609.6	
<b>SFW 6-FS103</b>	<b>SFWS 6-FS103</b>	3/8	-5	# 8-32	0.330"	6	8*	9*	10*	12	18	24	36
		9.525	-14			152.4	203.2	228.6	254	304.8	457.2	609.6	914.4
<b>SFW 8-FS103</b>	<b>SFWS 8-FS103</b>	1/2	-.0002	1/4-20	0.500"	6	8*	9*	10*	12	18	24	36
		12.700	-.0007			152.4	203.2	228.6	254	304.8	457.2	609.6	914.4
<b>SFW 10-FS103</b>	<b>SFWS10-FS103</b>	5/8	-6	1/4-20	0.500"	6	8*	9*	10*	12	18	24	36
		15.875	-17			152.4	203.2	228.6	254	304.8	457.2	609.6	914.4
<b>SFW 12-FS103</b>	<b>SFWS12-FS103</b>	3/4	-.0003	5/16-18	0.625"	6	8*	9*	10*	12	18	24	36
		19.050	-.0008			152.4	203.2	228.6	254	304.8	457.2	609.6	914.4
<b>SFW 16-FS103</b>	<b>SFWS16-FS103</b>	1	-7	3/8-16	0.750"	6	8*	9*	10*	12	18	24	36
		25.400	-20			152.4	203.2	228.6	254	304.8	457.2	609.6	914.4
<b>SFW 20-FS103</b>	<b>SFWS20-FS103</b>	1-1/4	-.0004	1/2-13	1.000"	6	8*	9*	10*	12	18	24	36
		31.750	-.0011			152.4	203.2	228.6	254	304.8	457.2	609.6	914.4
<b>SFW 24-FS103</b>	<b>SFWS24-FS103</b>	1-1/2	-10	5/8-11	1.250"	6				12	18	24	36
		38.100	-29			152.4				304.8	457.2	609.6	914.4

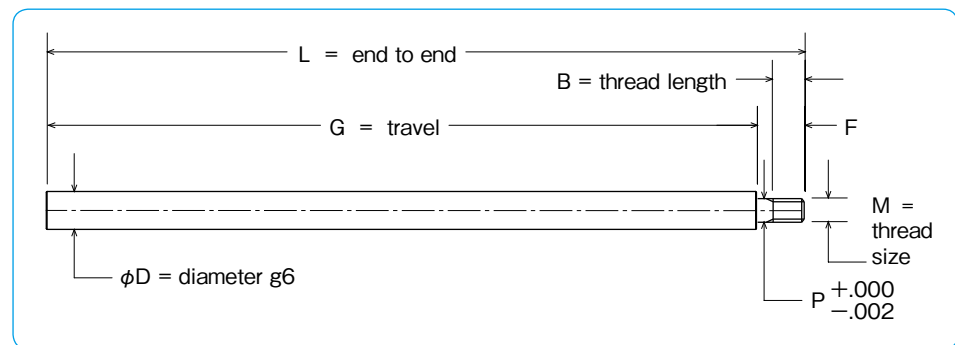
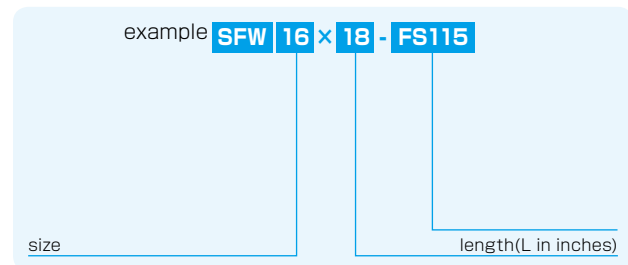
hardness of SFW: 60 HRC or more  
 hardness of SFWS: 52 HRC or more  
 Product of NB Corporation of America  
 \* SFWS is not available

# SFW-FS115 TYPE

– Format Single End Threaded Inch Shafts –



## part number structure

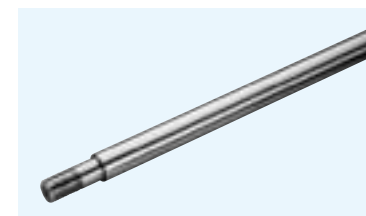


Part Number	Outer Diameter		Thread Size M	Thread Length B	Journal Length F	Journal DIA P	4" Travel G	6" Travel G	8" Travel G	12" Travel G	24" Travel G	36" Travel G	48" Travel G
	D	inch/mm					Length L	Length L	Length L	Length L	Length L	Length L	
SFW 6-FS115	3/8	—5	# 8-32	0.31 7.87	0.330 8.38	0.250 6.35	4.500 114.3	6.500 165.1	8.500 215.9	12.500 317.5	24.500 622.3		
	9.525	—14											
SFW 8-FS115	1/2	—0.002	1/4-20	0.39 9.91	0.500 12.70	0.313 7.95	4.625 117.5	6.625 168.3	8.625 219.1	12.625 320.7	24.625 625.5		
	12.700	—0.007											
SFW 10-FS115	5/8	—6	1/4-20	0.47 11.94	0.500 12.70	0.375 9.53	4.750 120.7	6.750 171.5	8.750 222.3	12.750 323.9	24.750 628.7		
	15.875	—17											
SFW 12-FS115	3/4	—0.003	5/16-18	0.63 16.00	0.625 15.88	0.500 12.70	5.000 127.0	7.000 177.8	9.000 228.6	13.000 330.2	25.000 635.0		
	19.050	—0.008											
SFW 16-FS115	1	—7	3/8-16	0.78 19.81	0.750 19.05	0.625 15.88		7.250 184.2	9.250 235.0	13.250 336.6	25.250 641.4	37.250 946.2	
	25.400	—20											
SFW 20-FS115	1-1/4	—0.004	1/2-13	0.94 23.88	1.000 25.40	0.750 19.05		7.500 190.5	9.500 241.3	13.500 342.9	25.500 647.7	37.500 952.5	
	31.750	—0.011											
SFW 24-FS115	1-1/2	—10	5/8-11	1.25 31.75	1.250 31.75	1.000 25.40		10.000 254.0	14.000 355.6	26.000 660.4	38.000 965.2	50.000 1270.0	
	38.100	—29											

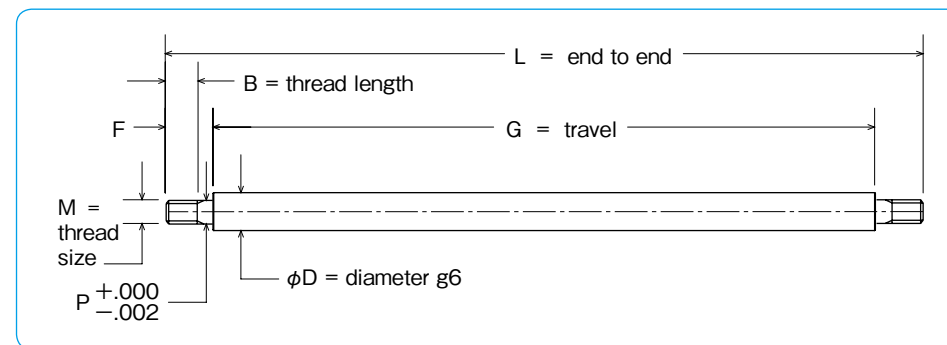
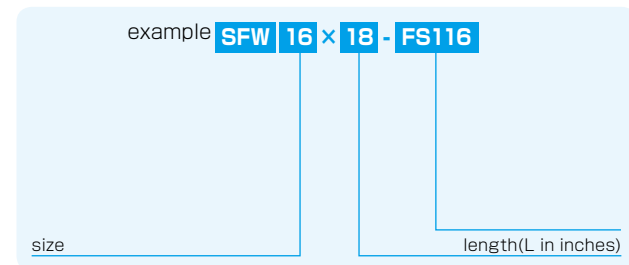
material: Equivalent to SUJ2  
 hardness: 60 HRC or more  
 tolerances: g6 or to be specified  
 stainless steel sizes are available on this series by quote only  
 Product of NB Corporation of America

# SFW-FS116 TYPE

– Format Both Ends Threaded Inch Shafts –



## part number structure

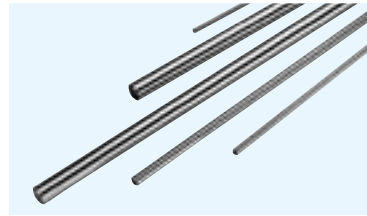


Part Number	Outer Diameter		Thread Size M	Thread Length B	Journal Length F	Journal DIA P	4" Travel G	6" Travel G	8" Travel G	12" Travel G	24" Travel G	36" Travel G	48" Travel G
	D	inch/mm					Length L	Length L	Length L	Length L	Length L	Length L	
SFW 6-FS116	3/8	—5	# 8-32	0.31 7.87	0.330 8.38	0.250 6.35	5.000 127.0	7.000 177.8	9.000 228.6	13.000 330.2	25.000 635.0		
	9.525	—14											
SFW 8-FS116	1/2	—0.002	1/4-20	0.39 9.91	0.500 12.70	0.313 7.95	5.250 133.4	7.250 184.2	9.250 235.0	13.250 336.6	25.250 641.4		
	12.700	—0.007											
SFW 10-FS116	5/8	—6	1/4-20	0.47 11.94	0.500 12.70	0.375 9.53	5.500 139.7	7.500 190.5	9.500 241.3	13.500 342.9	25.500 647.7		
	15.875	—17											
SFW 12-FS116	3/4	—0.003	5/16-18	0.63 16.00	0.625 15.88	0.500 12.70	6.000 152.4	8.000 203.2	10.000 254.0	14.000 355.6	26.000 660.4		
	19.050	—0.008											
SFW 16-FS116	1	—7	3/8-16	0.78 19.81	0.750 19.05	0.625 15.88		8.500 215.9	10.500 266.7	14.500 368.3	26.500 673.1	38.500 977.9	
	25.400	—20											
SFW 20-FS116	1-1/4	—0.004	1/2-13	0.94 23.88	1.000 25.40	0.750 19.05		9.000 228.6	11.000 279.4	15.000 381.0	27.000 685.8	39.000 990.6	
	31.750	—0.011											
SFW 24-FS116	1-1/2	—10	5/8-11	1.25 31.75	1.250 31.75	1.000 25.40		12.000 304.8	16.000 406.4	28.000 711.2	40.000 1016.0	52.000 1320.8	
	38.100	—29											

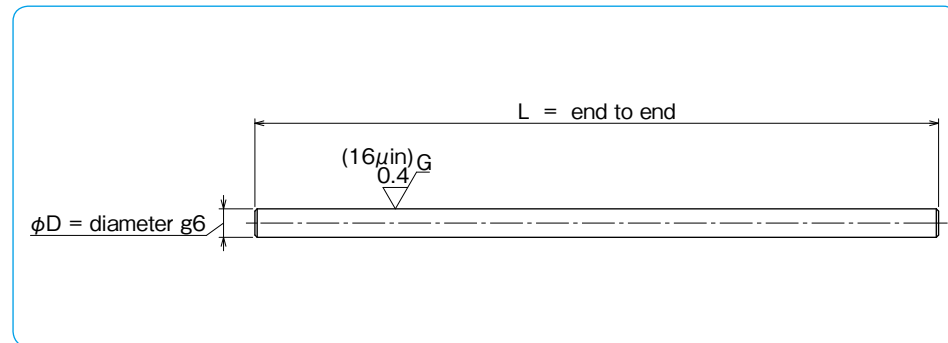
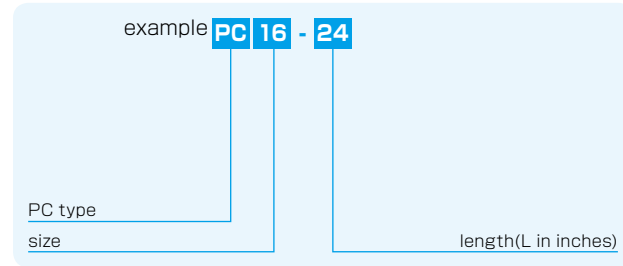
material: Equivalent to SUJ2  
 hardness: 60 HRC or more  
 tolerances: g6 or to be specified  
 stainless steel sizes are available on this series by quote only  
 Product of NB Corporation of America

# PC TYPE

– Pre-Cut Slide Shafts –



### part number structure



Part Number	Outer Diameter		Length L							Mass lbs/inch kg/m	
	D inch/mm	g6 inch/mm	inch mm								
PC 4	1/4	-.0002	6	12	18	24				0.014	
	6.350	-.0006	152.4	304.8	457.2	609.6				0.25	
PC 6	3/8	-5	6	12	18	24				0.031	
	9.525	-14	152.4	304.8	457.2	609.6				0.56	
PC 8	1/2	-.0002		12	18	24	30	36		0.056	
	12.700	-.0007		304.8	457.2	609.6	762	914.4		0.99	
PC 10	5/8	-6		12	18	24	30	36		0.086	
	15.875	-17		304.8	457.2	609.6	762	914.4		1.55	
PC 12	3/4	-.0003			18	24	30	36	42	48	0.125
	19.050	-.0008			457.2	609.6	762	914.4	1066.8	1219.2	2.24
PC 16	1	-7			18	24	30	36	42	48	0.222
	25.400	-20			457.2	609.6	762	914.4	1066.8	1219.2	3.98
PC 20	1-1/4	-.0004			18	24	30	36	42	48	0.348
	31.750	-.0011			457.2	609.6	762	914.4	1066.8	1219.2	6.22
PC 24	1-1/2	-10			18	24		36		48	0.500
	38.100	-29			457.2	609.6		914.4		1219.2	8.95

material: Equivalent to SUJ2  
 hardness: 60 HRC or more  
 tolerances: g6 or to be specified  
 Product of NB Corporation of America

# SPINDLE SHAFT & SPINDLE UNIT

NB Spindle Shaft is back by decades of precision manufacturing experience as well as up to date manufacturing facility to meet the demands. NB is capable of handling all your spindle needs such as manufacturing of bearing case and spindle base, design and manufacturing of spindle unit, and overhauling of spindles.

## ADVANTAGES

### Spindle Unit

NB provides overhauling, engineering services as well as manufacturing of spindle unit.

### Ultra Precision Machining

Spindle manufacturing facility is controlled to a constant temperature throughout the year for precision manufacturing of spindles.

### Various Machining Solution Available

BT, BBT, HSK inner tapers, gauge and bearing matching, thread grinding, and many other spindle related machining are available.

### Surface Treatments

Various surface treatments are available such as hard chrome and ceramic coating. Repairing a damaged spindle with replating and grinding is also available.

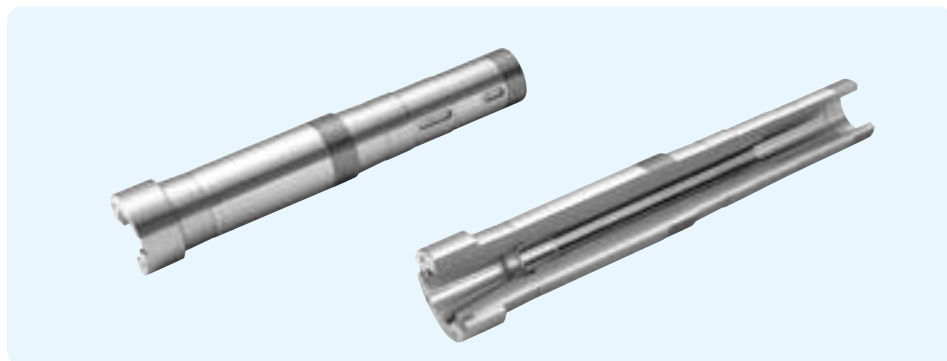
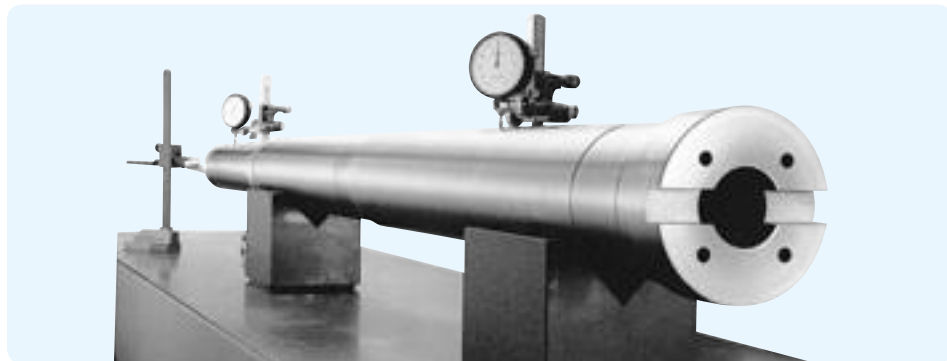
## EXAMPLE OF SPINDLE UNIT DESIGN AND MACHINING



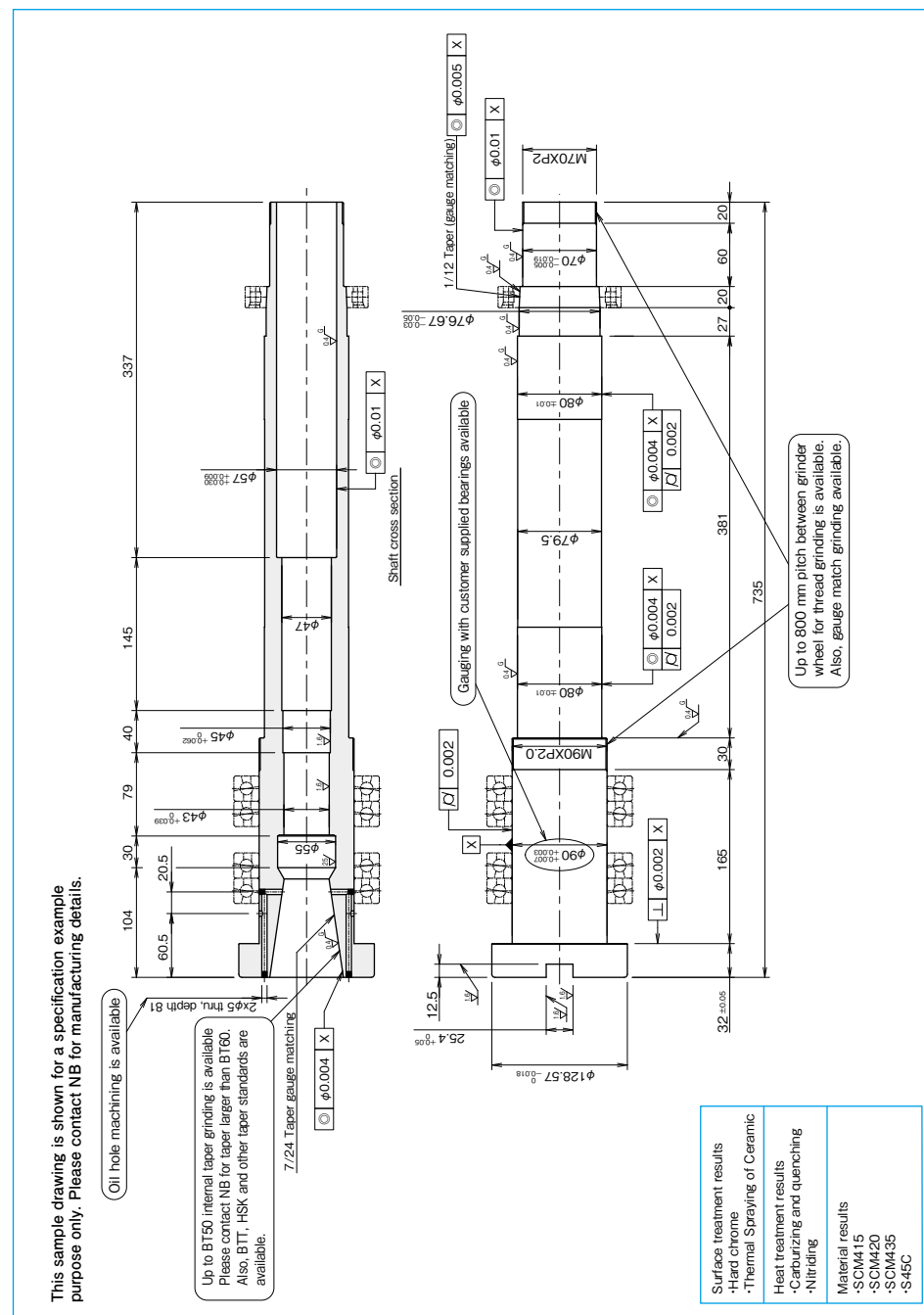
Example of spindle unit specification	
Machine used	Machining center
Mounting orientation	Vertical
Rotational Speed	Max. 10,000 rpm (Max. 700 rpm without tooling attached)
Spindle taper size	#30
Lubrication methods	Grease lubrication
Lubricant	ISOFLEX NBU15 (NOK Corporation)
Tool clamping power	400 kgf (theoretical)
Estimated drive power	3.5kW
Estimated weight	31kg

### EXAMPLES OF MACHINING

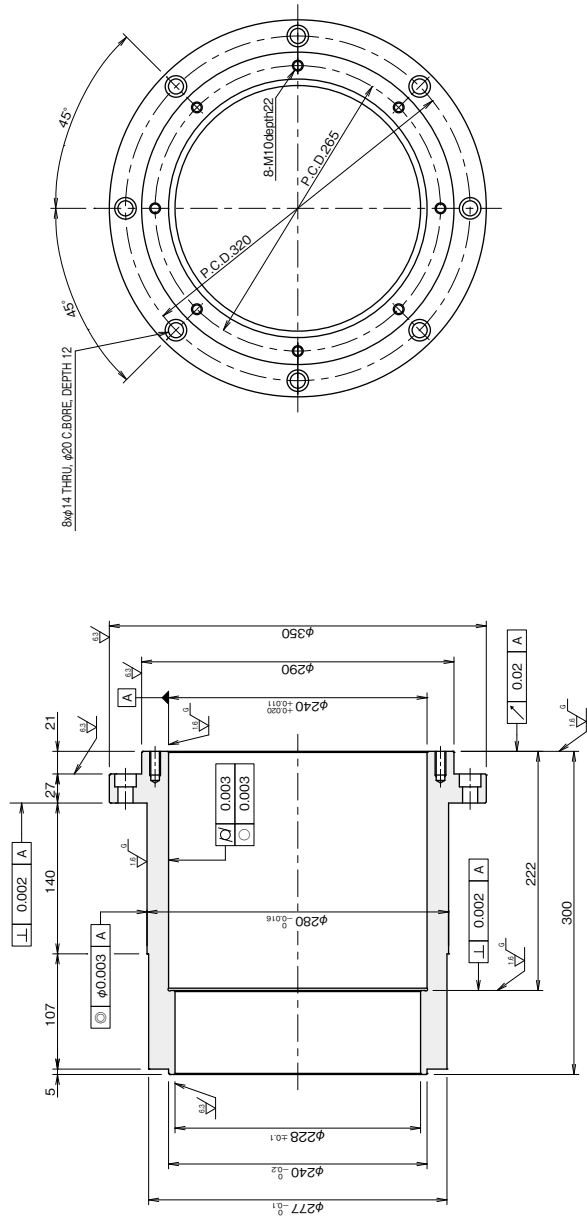
Spindle



### EXAMPLE OF DRAWING ①



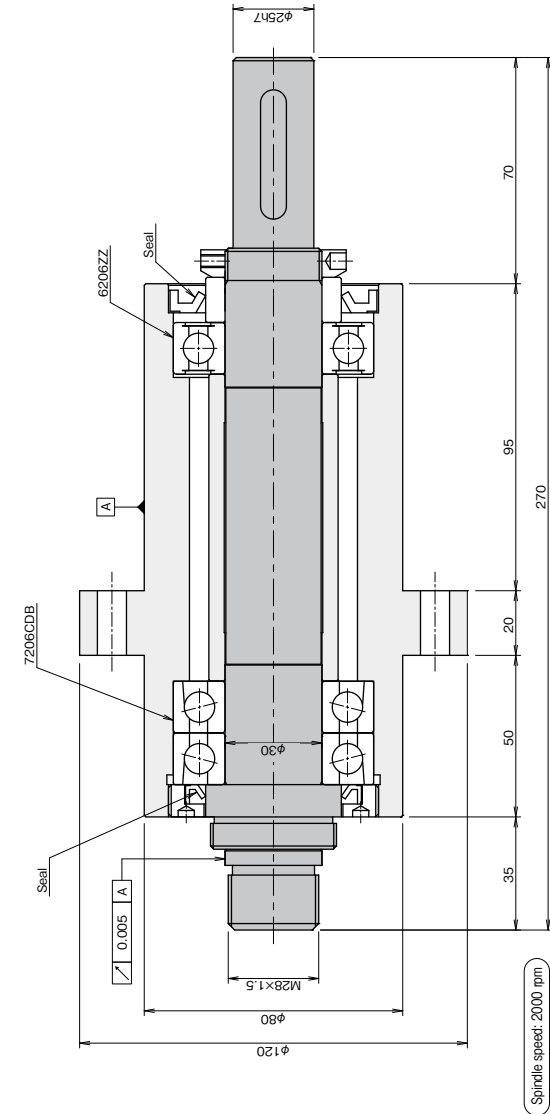
EXAMPLE OF DRAWING ②



Material results  
 -S45C  
 -SCM435

This sample drawing is shown for a specification example purpose only. Please contact NB for manufacturing details.

EXAMPLE OF DRAWING ③



Custom design and manufacturing service for various spindle units is available. Please contact NB for details.

This sample drawing is shown for a specification example purpose only. Please contact NB for manufacturing details.

# GENERAL MACHINE SHAFTING

NB general machine shafts are made to customer drawings. Integrated production from material sourcing, machining, heat treatments, surface treatments and final inspection, NB does it all.

## ADVANTAGES

### Small Lot Production Accepted

One piece custom accepted.

### Variety of Machining Capabilities

From small to large, various shaft and spindle machining is available.

### Surface Treatment

Various surface treatments are available such as hard chrome, electroless nickel plating, and low temperature black chrome.

### Heat Treatment

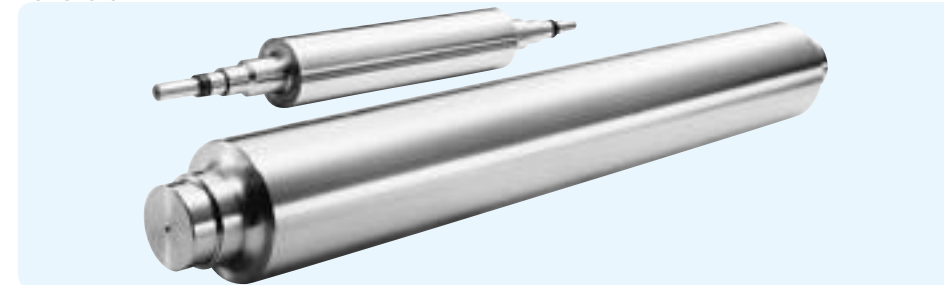
Various heat treatments are available such as carburizing and induction hardening.

Materials	High Carbon Chromium Bearing Steel (SUJ2)	Surface Treatment	Hard Chrome
	Chrome Molybdenum Steel (JIS SCM415, 420, 435)		Low Temperature Black Chrome
	Structural Carbon Steel (JIS S45C)		Electroless Nickel Plating
	Martensite Stainless Steel (SUS440)		Thermal Spray Ceramic Coating
	Austenite Stainless Steel (SUS303, 304)		Others
	Tool Steel (JIS SK4)	Triangular and trapezoidal thread grinding available	
	Tool Steel (JIS SKS3)		
Heat Treatment	Induction Hardening		
	Induction Hardening (deep)		
	Carburizing and quenching		

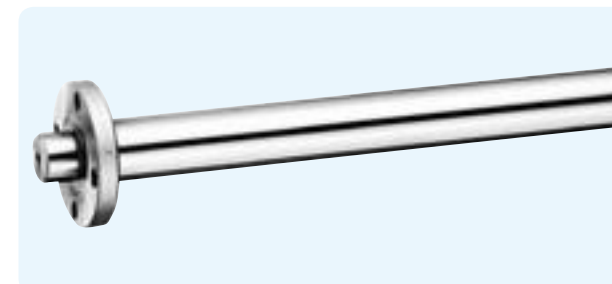
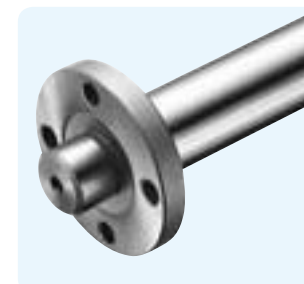
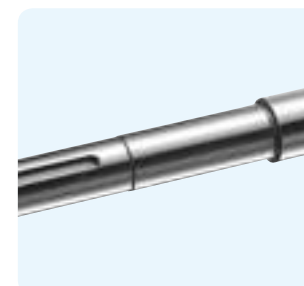
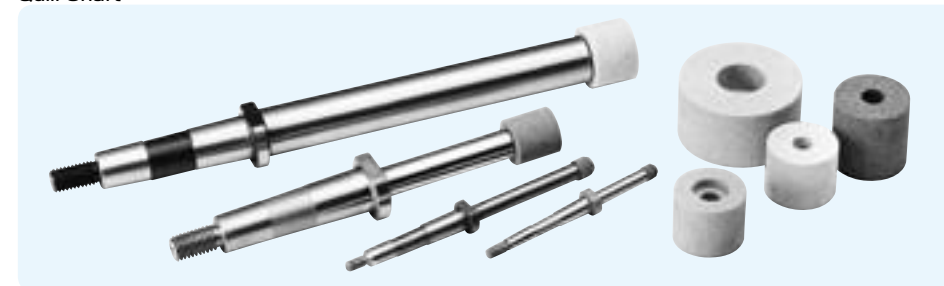
Machining Ability	Process Details / Manufacturing Contents	Maximum Machinable Diameter	Maximum Machinable Length	Remarks / Notes
	Centerless Grinding	φ60 mm outer diameter	4000mm	
	External Grinder	φ640 mm outer diameter	6000mm	
	Internal Grinder	φ200 mm inner diameter	300mm	Allowable work length: up to 1100 mm
		φ350 mm inner diameter	300mm	
	Vertical Grinder	φ630 mm outer diameter	300mm	
	Lathe	φ400	3800mm	
	Horizontal Machining Center	φ350	2000mm	Up to 3000 kg
Vertical Machining Center	φ300	3000mm	Up to 3000 kg	
BT / Gun Drilling	φ80	2000mm	Up to 4000 mm long with both end machining for less than φ120 Up to 2000 mm long for φ120 and over	

## EXAMPLES OF MACHINING ①

Roll Shaft

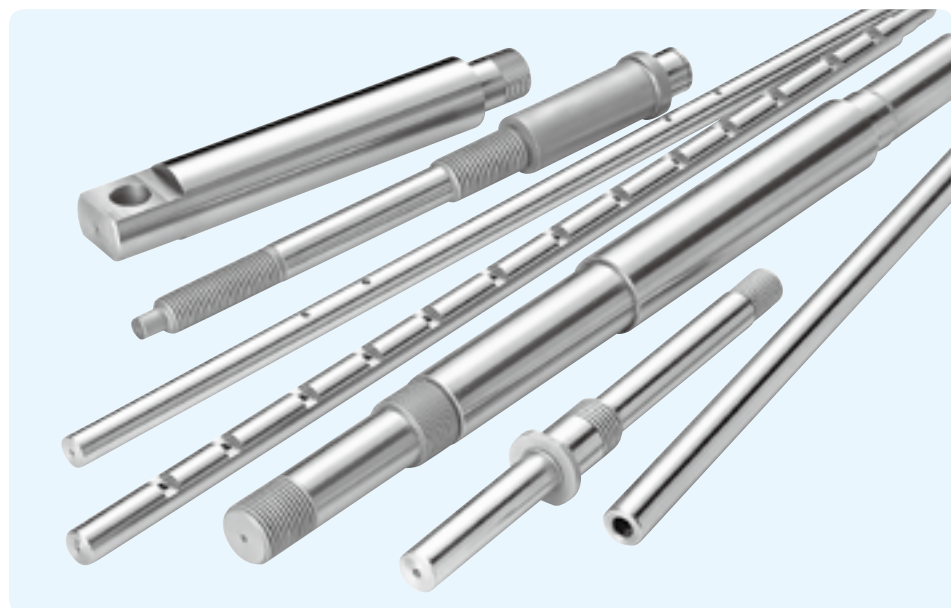
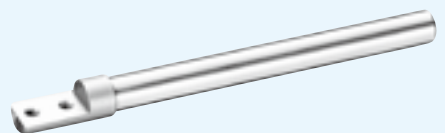
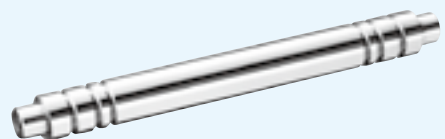
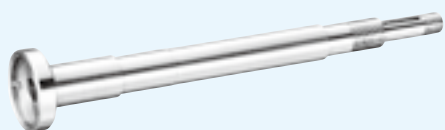
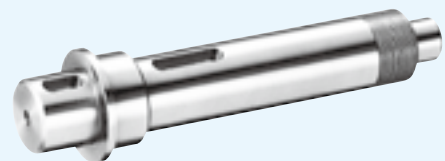


Quill Shaft





EXAMPLES OF MACHINING ②



Please visit at NB Website for more examples of machining.

# SLIDE WAY SLIDE TABLE MINIATURE SLIDE GONIO WAY

## SLIDE WAY

- STRUCTURE AND ADVANTAGES G-2
- TYPES ..... G-3
- ACCURACY ..... G-4
- RATED LIFE ..... G-4
- LOAD RATING ..... G-4
- STROKE ..... G-6
- LUBRICATION AND DUST PREVENTION G-6
- MOUNTING ..... G-6
- INSTALLATION PROCEDURE OF NV TYPE G-7
- INSTALLATION PROCEDURE OF SV TYPE G-8
- SPECIAL MOUNTING SCREW BT TYPE G-9
- USE AND HANDLING PRECAUTIONS G-9
- DIMENSION TABLE ..... G-10~

## SLIDE TABLE

- STRUCTURE AND ADVANTAGES G-26
- TYPES ..... G-27
- ACCURACY ..... G-27
- RATED LIFE ..... G-28
- LOAD RATING ..... G-28
- USE AND HANDLING PRECAUTIONS G-28
- SPECIAL REQUIREMENTS ..... G-29
- DIMENSION TABLE ..... G-30~

## MINIATURE SLIDE

- STRUCTURE AND ADVANTAGES G-52
- ACCURACY ..... G-53
- LOAD RATING ..... G-53
- RATED LIFE ..... G-53
- MOUNTING ..... G-54
- USE AND HANDLING PRECAUTIONS G-55
- DIMENSION TABLE ..... G-56~

## GONIO WAY

- STRUCTURE AND ADVANTAGES G-58
- ACCURACY OF RVF TYPE ..... G-59
- ACCURACY OF RV TYPE ..... G-59
- RATED LIFE ..... G-59
- MOUNTING OF RVF TYPE ..... G-60
- MOUNTING OF RV TYPE ..... G-62
- RVF TYPE 2 AXES AND SPECIAL REQUIREMENTS G-64
- USE AND HANDLING PRECAUTIONS G-65
- DIMENSION TABLE ..... G-66~

# SLIDE WAY

The NB slide way is a non-recirculating linear motion bearing utilizing precision rollers. It is used primarily in optical and measurement equipment where high precision movement is required.

## STRUCTURE AND ADVANTAGES

The NB slide way NV type comprises precisely ground rails and R-retainers with built-in STUDROLLERS and precision rollers. The rails have been optimally designed so that the STUDROLLERS move smoothly, and the STUDROLLERS and precision rollers incorporated in the R-retainers enable slip-free operation between the raceway surface and the rollers resulting in motion with minimal frictional resistance. SV and SVW types consist of precision ground rails and precision caged-rollers. Since caged-rollers do not recirculate, there is only a minimum frictional resistance fluctuation. Also, there is a minimum difference between the static and dynamic frictional resistances.

### Non-slip! STUDROLLER System (Rivet Roller Structure)

The STUDROLLER system is based on a new concept to provide complete prevention of roller cage slippage during operation. This system permits usage in all orientations and positions.

Figure G-1 STUDROLLER System



### Suitable for Minute Motion

Because the frictional resistance is extremely small and there is only little difference between the static and dynamic frictional resistances, the NB slide way is well suited for minute motion, resulting in highly accurate linear movement.

### Low-Speed Stability

Since the frictional resistance fluctuation is small even under low-load conditions, stable motion is obtained at from low to high speeds.

### High Rigidity and High Load Capacity

Compared to the ball elements, the rollers provide a larger contact area and less elastic deformation, thus the NB slide way has high rigidity and high load capacity. With new NV rail design, the roller contact area is increased by 30 to 58% (Figure G-2). The number of effective rollers is increased by narrowing the roller pitch. Thus, the NV type has the load rating that is 1.3 to 2.5 times that of the SV type.

### Low Noise

The slide way never produces recirculation noise nor roller-contact noise due to a use of roller cage, resulting in quiet motion.

### All Stainless Steel Type Available

The anti-corrosion SVS/SVWS/NVS-RNS slide ways have all stainless steel components, making them ideal for use in clean room applications.

Figure G-2 Roller Contact Profile

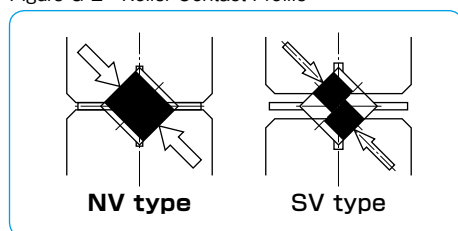


Figure G-3 Structure of NV type

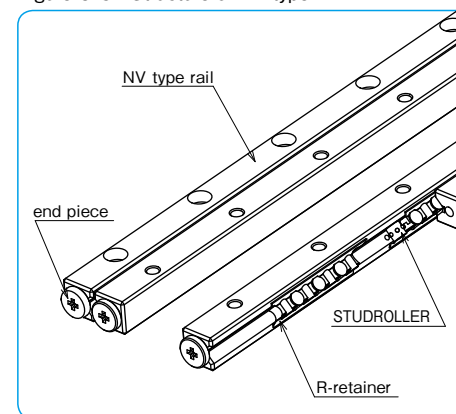
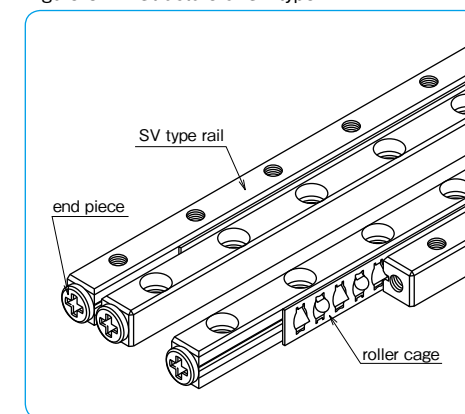


Figure G-4 Structure of SV type



※To the NV type, fastening plates are attached for the purpose of maintaining the center position of the R-retainer before assembly. Please see Installation Procedure on page G-7 and remove the fastening plates before use.

## TYPES

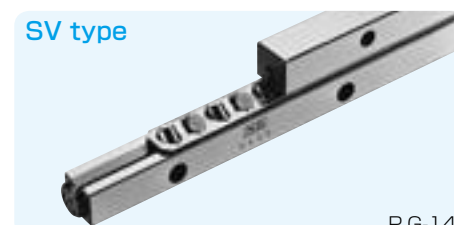
### NV type NVS-RNS type



P.G-10

The NV slide way consists of a set of four rails, two R-retainers, and eight end pieces. It permits flexible design of the table which will best suit your application. The NVS-RNS type has all stainless steel components, which is suitable for anti-corrosion, high temperature and vacuum requirements.

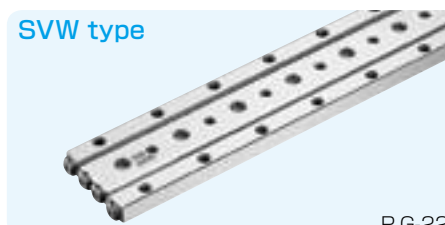
### SV type



P.G-14

The SV slide way consists of a set of four rails, two R type roller cages, which have precision rollers in a cross arrangement, and eight end pieces. The all stainless steel option makes it suitable for use in corrosive environments.

### SVW type



P.G-22

The SVW slide way consists of two SV-type rails, one W type rail, two R type roller cages, and eight end pieces. The use of a W-type rail serves for a compact design. The SVWS type is also available with all stainless steel components.

## ACCURACY

The accuracy of the slide way is represented as parallelism measured across the full length with a method shown in Figure G-6. It is classified as high (blank), precision (P), or ultra precision (UP). Special accuracies can also be accommodated. Please contact NB for details.

Figure G-5 Parallelism

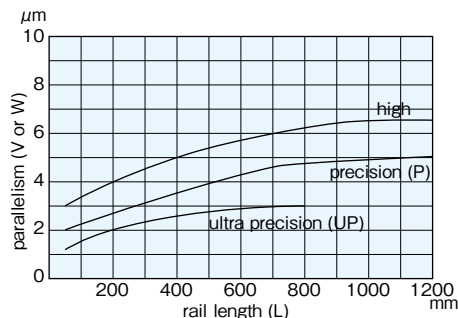
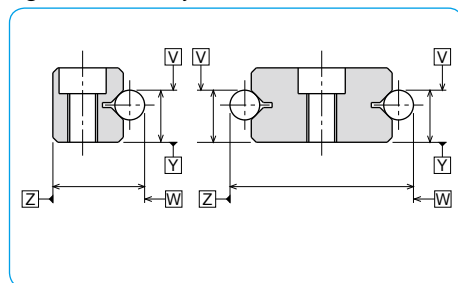


Figure G-6 Accuracy Measurement Method



Ultra precision grade is available from size 1 to size 9.

## RATED LIFE

The life of the slide way and the slide table is calculated with the following equations:

Rated Life

$$L = \left( \frac{f_t \cdot C}{f_w \cdot P} \right)^{10/3} \cdot 50$$

L: rated life (km)  $f_t$ : temperature coefficient  $f_w$ : applied load coefficient  
C: basic dynamic load rating (N) P: applied load (N)  
※ Please refer to page Eng-5 for the coefficients.

Life Time

$$L_h = \frac{L \cdot 10^3}{2 \cdot l_s \cdot n \cdot 60}$$

$L_h$ : life time (hr)  $l_s$ : stroke length (m)  
 $n$ : number of cycles per minute (cpm)

## LOAD RATING

The load rating for the slide way is obtained using the equations listed in Table G-1.

Table G-1 Load Rating

condition	double-rail parallel usage
direction of load	
basic dynamic load rating C	$C = \left\{ 2P \left( \frac{Z}{2} - 1 \right) \right\}^{1/36} \cdot \left( \frac{Z}{2} \right)^{3/4} \cdot 2^{7/9} \cdot C_1$
basic static load rating $C_0$	$C_0 = \frac{Z}{2} \cdot C_{01} \cdot 2$
allowable load F	$F = \frac{Z}{2} \cdot F_1 \cdot 2$

C: basic dynamic load rating (N)  
 $C_0$ : basic static load rating (N)  
F: allowable load (N)  
 $C_1$ : basic dynamic load rating per roller (N)  
 $C_{01}$ : basic static load rating per roller (N)  
 $F_1$ : allowable load per roller (N)  
Z: number of rollers per cage  
Z/2: number of effective rollers (round down to whole number)  
P: roller pitch (mm)

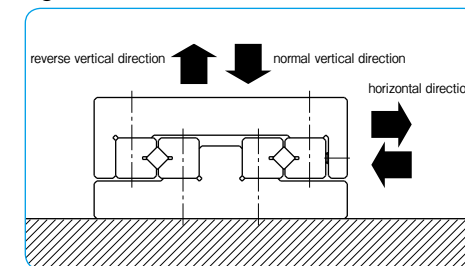
The load rating of the NV type differs depending on the direction of the load.

Table G-2 Change of Load Rating Corresponding to Load Direction

basic dynamic load rating	normal vertical direction	$1.0 \times C$
	horizontal direction	$0.85 \times C$
	reverse vertical direction	$0.7 \times C$
basic static load rating	normal vertical direction	$1.0 \times C_0$
	horizontal direction	$0.85 \times C_0$
	reverse vertical direction	$0.7 \times C_0$

※ There may be a difference depending on the size. Please contact NB for details.  
Consideration has been given to holes for STUDROLLERS in the raceway surface in calculation of load ratings.

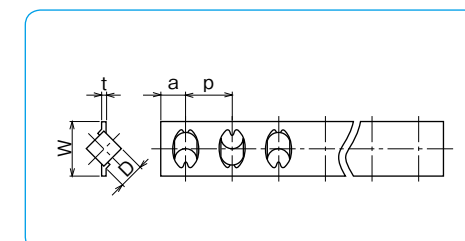
Figure G-7 Direction of Load



## R·RS TYPE

— Standard Roller Cage —  
part number structure

example **RS 6 - 15Z**  
specification R: standard roller RS: stainless steel roller  
number of rollers 6  
size 15Z



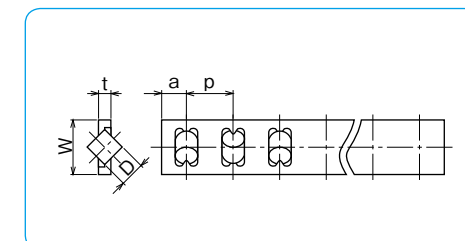
part number		D	t	W	p	a	$C_1$	$C_{01}$	$F_1$
standard	anti-corrosion	mm	mm	mm	mm	mm	N	N	N
R 1	RS 1	1.5	0.2	3.8	2.5	2	154	119	39.6
R 2	RS 2	2	0.3	5.6	4	2.5	360	293	97.6
R 3	RS 3	3	0.4	7.6	5	3	824	649	216
R 4	RS 4	4	0.4	10.4	7	4.5	1,660	1,320	440
R 6	RS 6	6	0.7	14	8.5	5.5	3,840	2,960	986
R 9	RS 9	9	0.7	19	14	7.5	9,330	7,070	2,350
R12	RS12	12	1.0	25	20	10	18,900	14,500	4,830

cage material: stainless steel  $C_1$ : dynamic load rating per roller  $C_{01}$ : static load rating per roller  
 $F_1$ : allowable load per roller

## RA·RAS TYPE

— Aluminum Roller Cage —  
part number structure

example **RAS 6 - 15Z**  
specification RA: standard roller RAS: stainless steel roller  
number of rollers 6  
size 15Z



part number		D	t	W	p	a	$C_1$	$C_{01}$	$F_1$
standard	anti-corrosion	mm	mm	mm	mm	mm	N	N	N
RA3	RAS3	3	1.2	7.6	5	3	824	649	216
RA4	RAS4	4	1.4	10.4	7	4.5	1,660	1,320	440
RA6	RAS6	6	2.1	14	8.5	5.5	3,840	2,960	986
RA9	RAS9	9	3.0	20	14	7.5	9,330	7,070	2,350

cage material: aluminum alloy  $C_1$ : dynamic load rating per roller  $C_{01}$ : static load rating per roller  
 $F_1$ : allowable load per roller

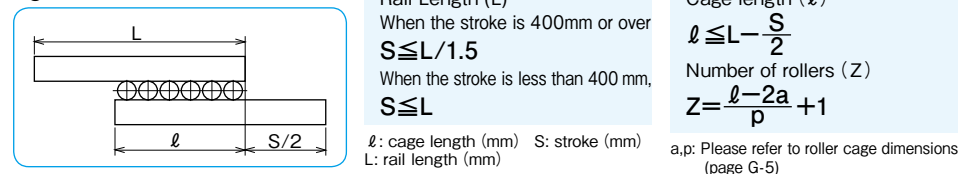
## STROKE

Please contact NB for a non-standard stroke length for the NV type. When the stroke of SV type or SVW type is changed, the stroke length must be determined and the load rating should be re-estimated as follows.

### Stroke of SV type, SVW type

When the slide way moves along the rail, the cage moves half the distance traveled by the slide way in the same direction. Therefore, although the work may be fixed on the table, the distance between the load center and the cage center will change. To achieve stable accuracy, determine the stroke and the length of the rail as follows.

Figure G-8



## LUBRICATION AND DUST PREVENTION

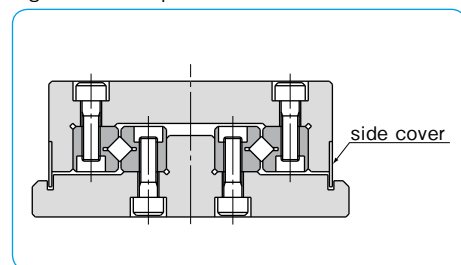
### Lubrication

The slide way is pre-lubricated with lithium soap-based grease No.00 prior to shipment for immediate use. Make sure to relubricate with a similar type of grease periodically according to the operating conditions. NB also provides low dust generation grease. Please refer to page Eng-39 for details.

### Dust Prevention

Foreign particles or dust in the slide way affects the motion accuracy and shortens the life time. In a harsh environment please provide side covers for dust prevention. (refer to Figure G-9)

Figure G-9 Example of Dust Prevention Mechanism



## MOUNTING

### Example

Figure G-10 NV type, SV type

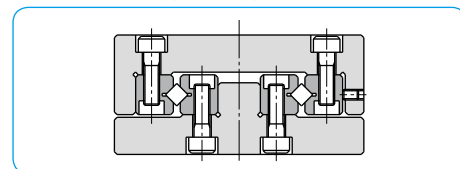
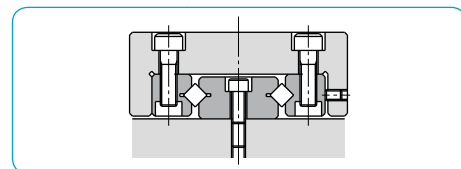


Figure G-11 SVW type

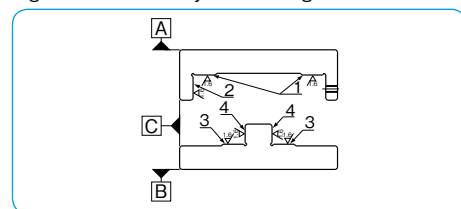


### Accuracy of Mounting Surface

To maximize the performance of the NB slide way, it is recommended that the accuracy of the mounting surface to be equal to or greater than the degree of parallelism of the slide way.

- Parallelism of surface 1 against surface A
- Perpendicularity of surface 2 against surface A
- Parallelism of surface 3 against surface B
- Perpendicularity of surface 4 against surface B
- Parallelism of surface 2 against surface C
- Parallelism of surface 4 against surface C

Figure G-12 Accuracy of Mounting Surface



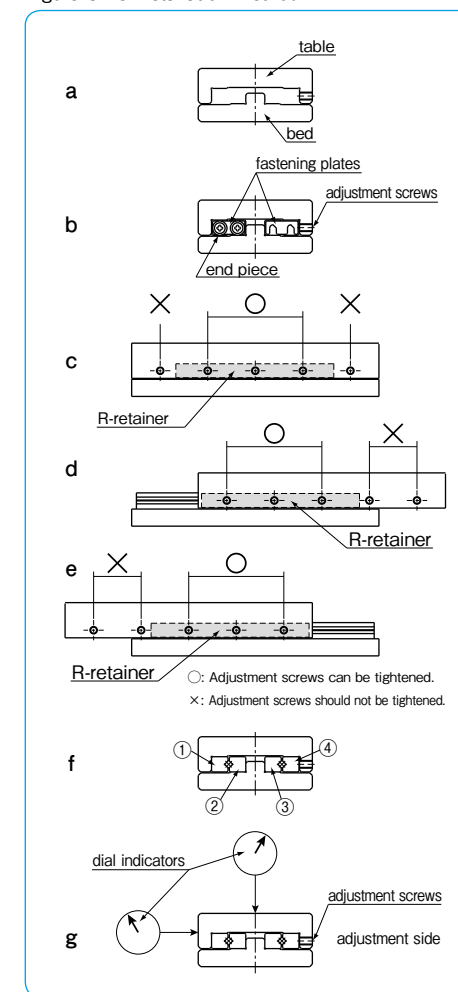
## INSTALLATION PROCEDURE OF NV TYPE

### Installation Procedure

※Please read "Use and Handling Precautions" before installation.

- (1) Remove burrs, scratches, and dust from the rail-mounting surface of the bed and the table, be careful to prevent contamination during assembly.
- (2) Apply low-viscosity oil to the contact surfaces, and align the bed and the table. (Figure G-13a)
- (3) Set the reference surface onto the mounting surface with the rails fastened. Set the table in the center position, and tighten the adjustment screws lightly so that almost no gap remains. (Figure G-13b)
- (4) Keep the table in the center, tighten the rail mounting bolts lightly, loosen the end pieces of both ends, and remove the fastening plates. Following this, lightly retighten the end pieces.
- (5) While maintaining the conditions of (4), gently move the assembly through its stroke to check if the maximum stroke is secured, and if there is no irregularity.
- (6) Move the table to the center and tighten only the adjustment screws on the R-retainer with the recommended torque shown in Table G-3. (Figure G-13c)
- (7) Gently move the table to one stroke end, and check that the table has surely come into contact with the external mechanical stopper. Following this, tighten the adjustment screws in the same manner as (6). (Figure G-13d)
- (8) Move the table to the opposite stroke end, and tighten in the same manner as (6). (Figure G-13e)
- (9) Fasten the mounting screws on rails 1, 2, and 3 by tightening with the recommended torque shown in Table G-4. (Figure G-13f)
- (10) Set the dial indicators to the center of the table and to the side (reference surface) of the table. (Figure G-13g)
- (11) Perform the final preload adjustment. While moving the table back and forth, repeat steps (6) to (8) until the dial indicators show a minimum deviation.
- (12) Fasten rail 4 securely with the recommended torque. As for the adjustment screws, successively tighten the mounting screws on the R-retainer by moving the table.
- (13) Recheck the motion accuracy while moving the table.
- (14) Tighten the end pieces finally.

Figure G-13 Installation Method



INSTALLATION PROCEDURE OF SV TYPE

Installation Procedure

- (1) Remove burrs, scratches, and dust from the rail-mounting surface of the bed and the table, be careful to prevent contamination during assembly.
- (2) Apply low-viscosity oil to contact surfaces. Attach rails ①-③ by tightening screws with the recommended torque (Table G-4). (Figure G-14a)
- (3) Temporarily attach rail ④ on the adjustment side. (Figure G-14b)
- (4) Remove end pieces on one end. Carefully insert roller cages between rails. (Figure G-14c)
- (5) Re-attach end pieces.
- (6) Move the table slowly to each stroke end to position roller cages at the center of the rails.
- (7) Set the dial indicators to the center of the table and to the side (reference surface) of the table. (Figure G-14d)
- (8) Move the table to one stroke end. Lightly tighten adjustment screws on the roller cage. (Figure G-14e)
- (9) Move the table to the opposite stroke end. Similarly lightly tighten adjustment screws on the roller cage. (Figure G-14f)
- (10) Move table to the center and lightly tighten center adjustment screws. (Figure G-14g)
- (11) Repeat steps (8) ~ (10) until the indicators show a minimum deviation. Please do not apply an excessive preload.
- (12) Make final adjustment of preload. Repeat steps (8) ~ (10) and tighten the adjustment screws with the recommended torque listed in Table G-3.
- (13) Fasten the rail ④ securely with the recommended torque. As with the adjustment screws, successively tighten the mounting screws by moving the table.

Figure G-14 Installation Method

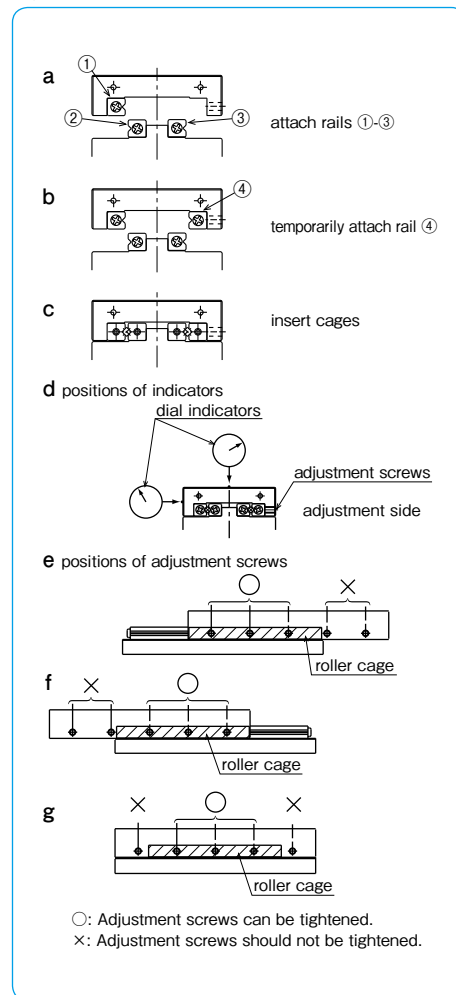


Table G-3 Recommended Torque for Adjustment Screw Unit/N·m

part number	size	torque
SV1	M2	0.008
NV2, SV2	M3	0.012
NV3, SV3	M4	0.05
NV4, SV4	M4	0.08
NV6, SV6	M5	0.20
NV9, SV9	M6	0.40

Table G-4 Recommended Torque for Mounting screw Unit/N·m

size	torque
M2	0.4
M3	1.4
M4	3.2
M5	6.6
M6	11.2
M8	27.6

(for steel alloy screw)

SPECIAL MOUNTING SCREW BT TYPE

In case of mounting slide way by screws from the counterbore side, threaded holes become the pilot holes. Thus, pilot hole's clearance will be less than a standard clearance hole for a screw. NB offers reduced shoulder screws for mounting SlideWay from bottom when larger screw clearance is required due to preload adjustment or inaccuracy of mating threaded holes. This special mounting screw made of alloy steel is stocked, and custom stainless steel version is available as a special order. Please contact NB for details.

Figure G-15 Special Mounting Screw

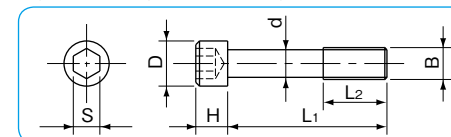
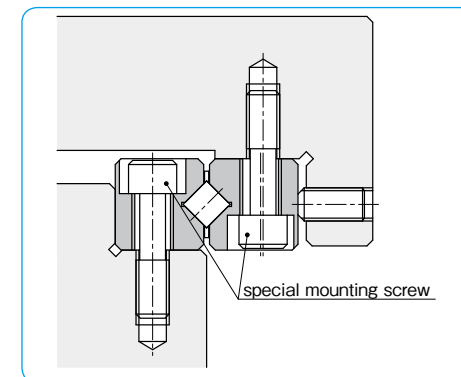


Table G-5 Special Mounting Screw

part number	B	d	D	H	L1	L2	S	applicable size
BT 3	M3	2.3	5	3	12	5	2.5	NV 3, SV 3
BT 4	M4	3.1	5.8	4	15	7	3	NV 4, SV 4
BT 6	M5	3.9	8	5	20	8	4	NV 6, SV 6
BT 9	M6	4.6	8.5	6	30	12	5	NV 9, SV 9
BT12	M8	6.25	11.3	8	40	17	6	NV12, SV12



USE AND HANDLING PRECAUTIONS

Careful Handling

Dropping the slide way causes the rolling elements to make dents in the raceway surface. This will prevent smooth motion and will also affect accuracy. Be sure to handle the product with care.

The NV type is packaged as a set of rails and R-retainers. Do not separate or disassemble until assembly/installation is completed. Precision is not guaranteed if disassembled.

Fastening Plates

For the NV type, fastening plates are attached at both end faces of the rails to maintain the R-retainer center position prior to assembly. The fastening plates are not required after the NV type is mounted to a table and bed, however, when removal of the NV type is necessary such as when it will be reassembled, be sure to return the R-retainer to the proper center position, secure the fastening plates with the end pieces, and then remove the NV type.

Specified Allowable Stroke

For the NV type, exceeding the specified stroke (over-stroke) shall cause the raceway surface of the rail to be damaged and the performance of the STUDROLLER to drastically deteriorate. Be sure to provide external mechanical stoppers.

Adjustment

Using the product with insufficient accuracy of the mounting surface or before adjusting the preload will cause the motion accuracy of the product to drop and will have a negative influence upon product life and accuracy. Make sure to assemble, install, and adjust the product with care.

Caution against Excess Preload

It is essential to give preload on the Slide Way products in order to assure rigidity and accuracy. However, excess preload causes damage on the raceways and roller cages/R-retainers.

On installation, please follow the installation procedure and recommended torque on page G-8.

Operating Temperature

The NV type uses resin parts. Please use the product in environments that are lower than 80°C.

Use as a Set

The accuracy of the rails has been matched within each set. Note that the accuracy will be affected when the rails of different sets are combined.

Allowable Load

The allowable load is a load under which the sum of elastic deformations of the rolling element and the raceway in the contact area subject to the maximum contact stress is small enough to guarantee smooth rolling movement. When very smooth and highly accurate linear motion is required, make sure to use the product within the allowable load.

Cage Slippage

For the SV/SVW type, the cage can slip under high-speed motion, vertical application, unbalanced-loading, and vibrating conditions. It is advised that the stroke be set with sufficient margin and an excessive preload should be avoided.

It is also recommended that the rails be cycled to perform the maximum stroke several times, so that the cage returns to its central position.

End Pieces

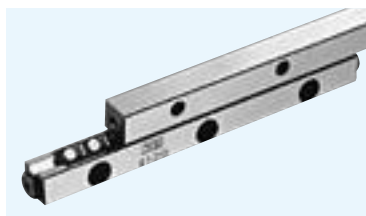
End pieces are attached to each end of the slide way to prevent removal of the cage. Do not use them as a mechanical stopper.

Knock Pin Hole

When using SVW type knock pin holes to attach a slide way, please do the hole-machining on the mounting surface after attaching the W type rail. After machining, remove the chips completely and wash as required.

# NV TYPE

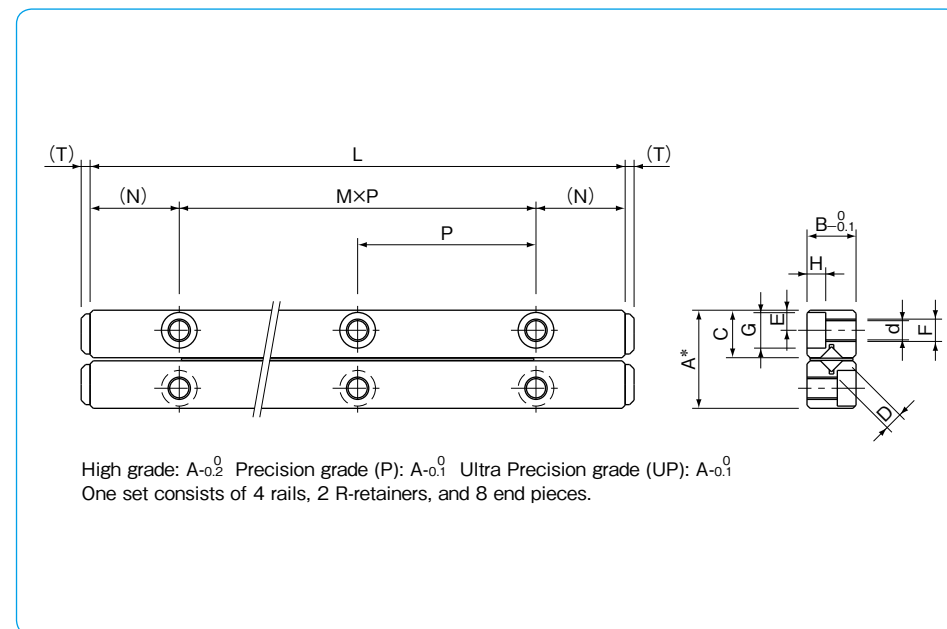
-NV2/NV3/NV4-



## part number structure

example **NVS 2 150-41Z-UP**

specification NV: standard NVS: anti-corrosion	size	rail length	number of rollers	accuracy grade blank: high P: precision UP: ultra precision
--	------	-------------	-------------------	--



part number		stroke	roller diameter	number of rollers	L	A	B	C
standard	anti-corrosion	ST mm	D mm	Z	mm	mm	mm	mm
NV2030-5Z	NVS2030-5Z	18	2	5	30	12	6	5.7
2045-9Z	2045-9Z	25		9	45			
2060-15Z	2060-15Z	30		15	60			
2075-19Z	2075-19Z	40		19	75			
2090-23Z	2090-23Z	50		23	90			
2105-27Z	2105-27Z	65		27	105			
2120-33Z	2120-33Z	70		33	120			
2135-37Z	2135-37Z	80		37	135			
2150-41Z	2150-41Z	90		41	150			
2165-47Z	2165-47Z	95		47	165			
2180-51Z	2180-51Z	100		51	180			
NV3050-9Z	NVS3050-9Z	25	3	9	50	18	8	8.65
3075-13Z	3075-13Z	48		13	75			
3100-19Z	3100-19Z	60		19	100			
3125-23Z	3125-23Z	83		23	125			
3150-29Z	3150-29Z	90		29	150			
3175-35Z	3175-35Z	103		35	175			
3200-41Z	3200-41Z	113		41	200			
3225-43Z	3225-43Z	150		43	225			
NV4080-9Z	NVS4080-9Z	60		4	9			
4120-17Z	4120-17Z	75	17		120			
4160-23Z	4160-23Z	105	23		160			
4200-29Z	4200-29Z	130	29		200			
4240-37Z	4240-37Z	143	37		240			
4280-43Z	4280-43Z	170	43		280			

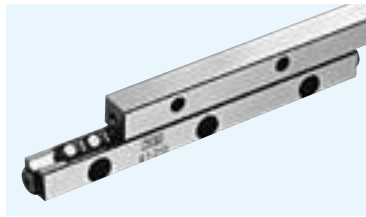
The basic static load rating is the value at the center of the stroke.

major dimensions								basic load rating	allowable	mass	size	
MxP	N	E	F	d	G	H	T	dynamic C	static Co	load F	(one set) g	
mm	mm	mm		mm	mm	mm	mm	N	N	N		
1x15	7.5	2.5	M3	2.55	4.4	2	1.2	1,360	1,520	509	33	2030
2x15								2,330	3,050	1,010	49	2045
3x15								3,990	6,110	2,030	62	2060
4x15								4,740	7,630	2,540	74	2075
5x15								5,460	9,160	3,050	91	2090
6x15								6,160	10,600	3,560	103	2105
7x15								6,830	12,200	4,070	120	2120
8x15								7,490	13,700	4,580	132	2135
9x15								8,130	15,200	5,090	149	2150
10x15								9,370	18,300	6,110	161	2165
11x15								9,970	19,800	6,620	174	2180
1x25	12.5	3.5	M4	3.3	6	3.1	2	6,150	8,060	2,680	97	3050
2x25								8,440	12,100	4,030	140	3075
3x25								12,500	20,100	6,720	192	3100
4x25								14,400	24,200	8,060	245	3125
5x25								16,300	28,200	9,410	290	3150
6x25								19,800	36,300	12,100	337	3175
7x25								21,500	40,300	13,400	385	3200
8x25								23,200	44,300	14,700	434	3225
1x40								20	4.5	M5	4.3	8
2x40	20,700	31,500	10,500	400	4120							
3x40	28,500	47,200	15,700	530	4160							
4x40	32,100	55,100	18,300	660	4200							
5x40	39,000	70,900	23,600	800	4240							
6x40	45,600	86,600	28,800	930	4280							

1N≒0.102kgf

# NV TYPE

-NV6/NV9/NV12-



## part number structure

example **NV 6 200- 19Z -UP**

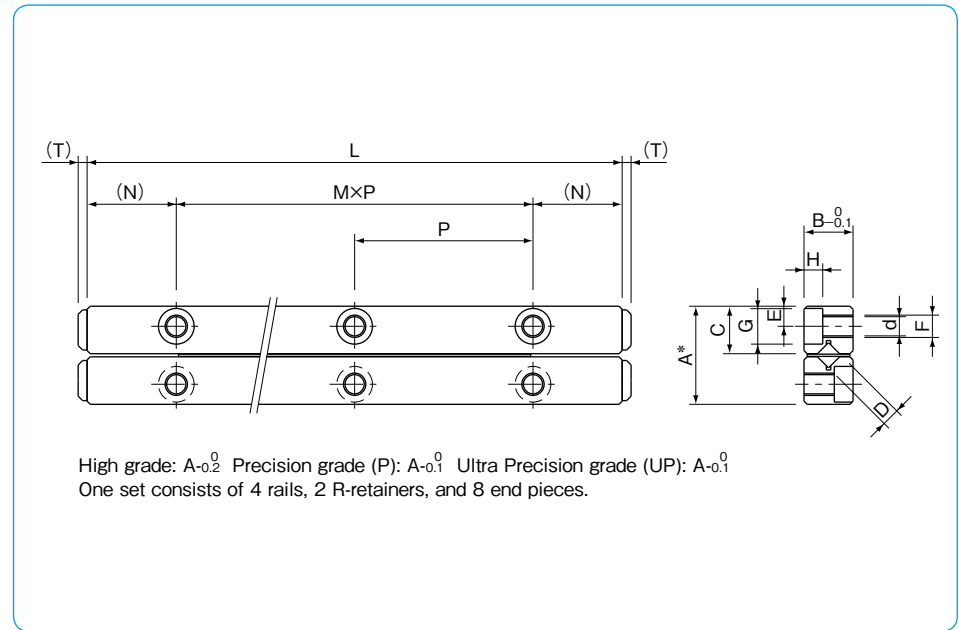
NV type

size

rail length

accuracy grade  
**blank**: high  
**P**: precision  
**UP**: ultra precision  
 The UP grade is not available for NV 12

number of rollers



part number	stroke ST mm	roller diameter D mm	number of rollers Z	major dimensions						
				L mm	A mm	B mm	C mm	M×P mm	N mm	E mm
NV6100- 9Z	63	6	9	100	31	15	15.15	1×50	25	6
6150- 15Z	85		15	150				2×50		
6200- 19Z	135		19	200				3×50		
6250- 25Z	158		25	250				4×50		
6300- 31Z	180		31	300				5×50		
6350- 35Z	230		35	350				6×50		
6400- 39Z	275		39	400				7×50		
NV9200- 13Z	120		9	13				200		
9300- 21Z	170	21		300	2×100					
9400- 29Z	220	29		400	3×100					
9500- 35Z	300	35		500	4×100					
NV12300- 15Z	180	12	15	300	58	28	28.5	2×100	50	12
12400- 21Z	230		21	400				3×100		
12500- 27Z	280		27	500				4×100		
12600- 31Z	380		31	600				5×100		

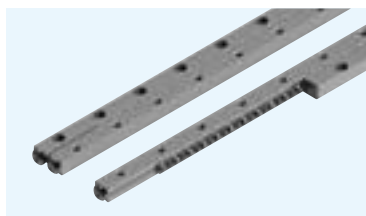
The basic static load rating is the value at the center of the stroke.

F	d	G	H	T	basic load rating		allowable load F N	mass (one set) g	size
					dynamic C N	static Co N			
M6	5.2	9.5	5.2	3	29,600	37,500	12,500	650	<b>6100</b>
					50,900	75,100	25,000	970	<b>6150</b>
					60,600	93,900	31,300	1,300	<b>6200</b>
					69,800	112,000	37,500	1,620	<b>6250</b>
					87,400	150,000	50,100	1,940	<b>6300</b>
					95,800	169,000	56,300	2,360	<b>6350</b>
					104,000	187,000	62,600	2,780	<b>6400</b>
					96,100	128,000	42,600	2,720	<b>9200</b>
M8	6.8	10.5	6.2	4	143,000	213,000	71,100	4,080	<b>9300</b>
					186,000	298,000	99,500	5,440	<b>9400</b>
					226,000	384,000	128,000	6,790	<b>9500</b>
					228,000	317,000	105,000	6,770	<b>12300</b>
M10	8.5	13.5	8.2	4	271,000	397,000	132,000	9,040	<b>12400</b>
					352,000	555,000	185,000	11,300	<b>12500</b>
					391,000	635,000	211,000	13,560	<b>12600</b>

1N≒0.102kgf

# NVS-RNS TYPE

—Special Environments Type—



## part number structure

example **NVS 4 200-RNS 27Z - P**

specification  
NVS: anti-corrosion

size

accuracy grade  
blank: high  
P: precision  
UP: ultra precision

number of rollers

cage type  
RNS: stainless steel cage  
stainless steel roller  
RN: stainless steel cage  
standard roller

rail length

part number	stroke ST mm	roller diameter D mm	number of rollers Z	major dimensions												
				L mm	A mm	B mm	C mm	M×P mm	N mm	E mm						
NVS 2030-RNS 7Z	15	2	7	30	12	6	5.7	1×15	7.5	2.5						
2045-RNS11Z	20		11	45				2×15								
2060-RNS13Z	30		13	60				3×15								
2075-RNS17Z	40		17	75				4×15								
2090-RNS21Z	50		21	90				5×15								
2105-RNS23Z	65		23	105				6×15								
2120-RNS27Z	70		27	120				7×15								
2135-RNS31Z	80		31	135				8×15								
2150-RNS33Z	90		33	150				9×15								
2165-RNS37Z	95		37	165				10×15								
2180-RNS43Z	100		43	180				11×15								
NVS 3050-RNS 9Z	20	3	9	50	18	8	8.65	1×25	12.5	3.5						
3075-RNS13Z	38		13	75				2×25								
3100-RNS17Z	55		17	100				3×25								
3125-RNS21Z	70		21	125				4×25								
3150-RNS25Z	85		25	150				5×25								
3175-RNS29Z	103		29	175				6×25								
3200-RNS33Z	113		33	200				7×25								
3225-RNS35Z	150		35	225				8×25								
NVS 4080-RNS 9Z	58		4	9				80			22	11	10.65	1×40	20	4.5
4120-RNS17Z	60			17				120						2×40		
4160-RNS21Z	98	21		160	3×40											
4200-RNS27Z	115	27		200	4×40											
4240-RNS31Z	143	31		240	5×40											
4280-RNS37Z	170	37		280	6×40											

※Some specification values are different from those of NV standard type. Please contact NB for details.

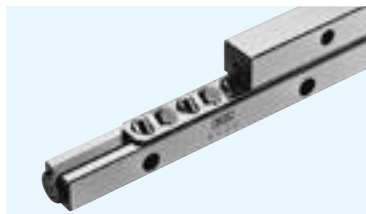
High: A-0.2 Precision (P): A-0.1 Ultra Precision (UP): A-0.0  
One set consists of 4 rails, 2 cages, and 8 end pieces.

F	d mm	G mm	H mm	T mm	basic load rating		allowable load F N	mass (one set) g	size
					dynamic C N	static Co N			
M3	2.55	4.4	2	1.2	2,320	3,050	1,010	30	2030
					3,190	4,580	1,520	44	2045
					3,190	4,580	1,520	58	2060
					4,000	6,110	2,030	73	2075
					4,760	7,630	2,540	87	2090
					5,490	9,160	3,050	101	2105
					6,190	10,600	3,560	115	2120
					6,870	12,200	4,070	130	2135
					6,870	12,200	4,070	144	2150
					7,530	13,700	4,580	158	2165
M4	3.3	6	3.1	2	8,800	16,800	5,600	173	2180
					6,150	8,060	2,680	102	3050
					8,460	12,100	4,030	151	3075
					10,600	16,100	5,370	200	3100
					12,600	20,100	6,720	249	3125
					14,500	24,200	8,060	297	3150
					16,400	28,200	9,410	346	3175
					18,200	32,200	10,700	395	3200
					19,900	36,300	12,100	443	3225
					12,100	15,700	5,250	269	4080
M5	4.3	8	4.2	2	20,800	31,500	10,500	405	4120
					24,800	39,300	13,100	536	4160
					32,200	55,100	18,300	670	4200
					35,800	63,000	21,000	801	4240
					39,200	70,900	23,600	935	4280

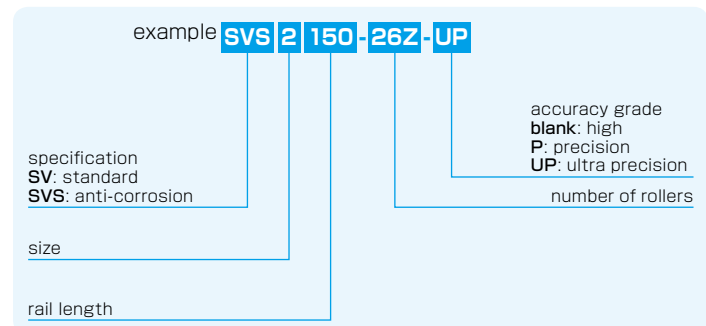


# SV TYPE

-SV1/SV2-



## part number structure



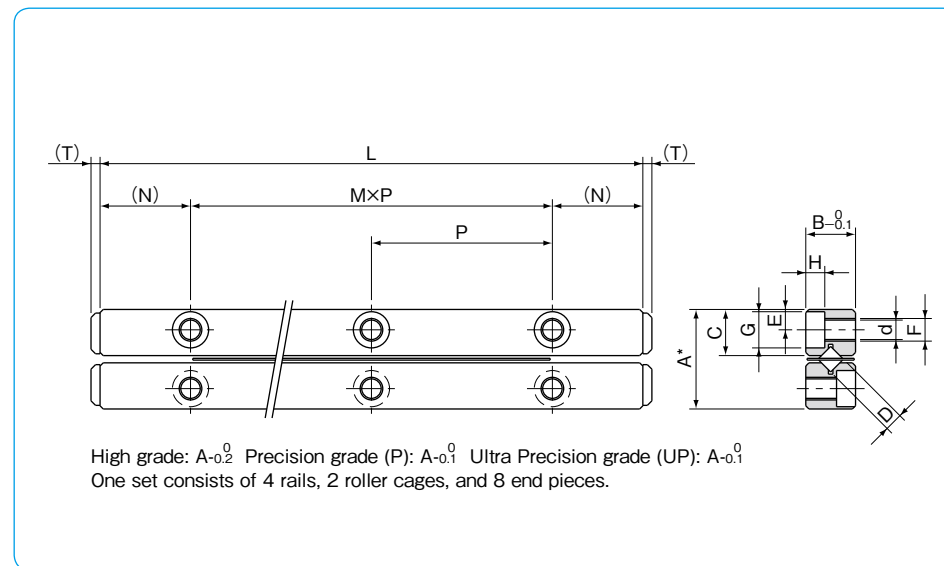
※Stainless steel rollers are used for anti-corrosion type. (refer to page G-5)

part number		stroke	roller diameter	number of rollers	L	A	B	C
standard	anti-corrosion	ST mm	D mm	Z	mm	mm	mm	mm
SV 1020-5Z	SVS 1020-5Z	12	1.5	5	20	8.5	4	3.8
1030-7Z	1030-7Z	20		7	30			
1040-10Z	1040-10Z	27		10	40			
1050-13Z	1050-13Z	32		13	50			
1060-16Z	1060-16Z	37		16	60			
1070-19Z	1070-19Z	42		19	70			
1080-21Z	1080-21Z	50		21	80			
SV 2030-5Z	SVS 2030-5Z	18		5	30			
2045-8Z	2045-8Z	24	8	45				
2060-11Z	2060-11Z	30	11	60				
2075-13Z	2075-13Z	44	13	75				
2090-16Z	2090-16Z	50	16	90				
2105-18Z	2105-18Z	64	18	105				
2120-21Z	2120-21Z	70	21	120				
2135-23Z	2135-23Z	84	23	135				
2150-26Z	2150-26Z	90	26	150				
2165-29Z	2165-29Z	95	29	165				
2180-32Z	2180-32Z	100	32	180				

※Maximum Rail Length (standard type only)

part number	Max. length
SV1	200mm
SV2	450mm

※Please contact NB for details.

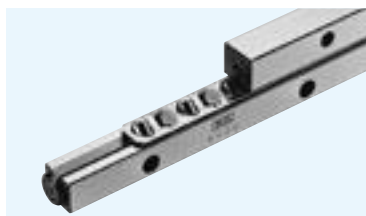


major dimensions								dynamic C N	static Co N	allowable load F N	mass (one set) g	size
M × P mm	N mm	E mm	F	d mm	G mm	H mm	T mm					
1 × 10	5	1.8	M2	1.65	3	1.4	0.8	464	476	158	11	1020
2 × 10								641	714	237	14	1030
3 × 10								959	1,190	396	18	1040
4 × 10								1,100	1,420	475	22	1050
5 × 10								1,380	1,900	633	26	1060
6 × 10								1,510	2,140	712	30	1070
7 × 10								1,650	2,380	792	34	1080
1 × 15								7.5	2.5	M3	2.55	4.4
2 × 15	1,900	2,340	780	42	2045							
3 × 15	2,270	2,930	976	55	2060							
4 × 15	2,620	3,510	1,170	69	2075							
5 × 15	3,280	4,680	1,560	83	2090							
6 × 15	3,590	5,270	1,750	96	2105							
7 × 15	3,900	5,860	1,950	110	2120							
8 × 15	4,210	6,440	2,140	123	2135							
9 × 15	4,790	7,610	2,530	137	2150							
10 × 15	5,080	8,200	2,730	151	2165							
11 × 15	5,640	9,370	3,120	165	2180							

1N≐0.102kgf

# SV TYPE

-SV3/SV4-



## part number structure

example **SVS 4 200-RAS 19Z-UP**

specification  
**SV**: standard  
**SVS**: anti-corrosion

size

rail length

accuracy grade  
**blank**: high  
**P**: precision  
**UP**: ultra precision

number of rollers

cage type  
**blank**: standard cage  
**RA(RAS)**: aluminum cage

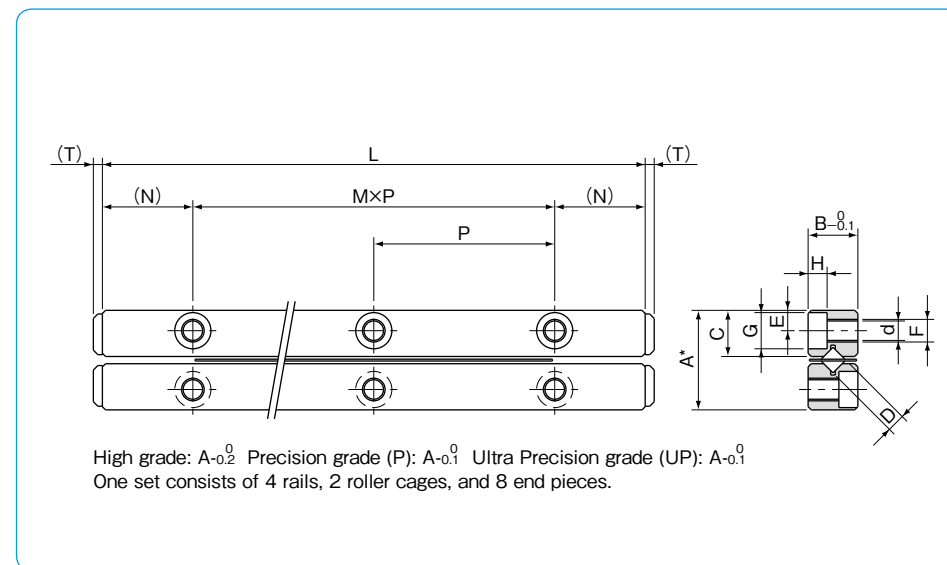
※Stainless steel rollers are used for anti-corrosion type. (refer to page G-5)

part number		stroke	roller diameter	number of rollers	L	A	B	C
standard	anti-corrosion	ST mm	D mm	Z	mm	mm	mm	mm
SV 3050-7Z	SVS 3050-7Z	28	3	7	50	18	8	8.3
3075-10Z	3075-10Z	48		10	75			
3100-14Z	3100-14Z	58		14	100			
3125-17Z	3125-17Z	78		17	125			
3150-21Z	3150-21Z	88		21	150			
3175-24Z	3175-24Z	105		24	175			
3200-28Z	3200-28Z	115		28	200			
3225-31Z	3225-31Z	135		31	225			
3250-35Z	3250-35Z	145		35	250			
3275-38Z	3275-38Z	165		38	275			
3300-42Z	3300-42Z	175		42	300			
3325-45Z	3325-45Z	195		45	325			
3350-49Z	3350-49Z	205		49	350			
SV 4080-7Z	SVS 4080-7Z	58		4	7			
4120-11Z	4120-11Z	82	11		120			
4160-15Z	4160-15Z	105	15		160			
4200-19Z	4200-19Z	130	19		200			
4240-23Z	4240-23Z	150	23		240			
4280-27Z	4280-27Z	175	27		280			
4320-31Z	4320-31Z	200	31		320			
4360-35Z	4360-35Z	225	35		360			
4400-39Z	4400-39Z	250	39		400			
4440-43Z	4440-43Z	270	43		440			
4480-47Z	4480-47Z	295	47		480			

※Maximum Rail Length (standard type only)

part number	Max. length
SV3	700mm
SV4	700mm

※Please contact NB for details.

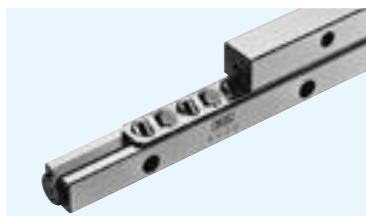


major dimensions								basic load rating		allowable	mass	size
M × P	N	E	F	d	G	H	T	dynamic C N	static Co N	load F N	(one set) g	
mm	mm	mm	mm	mm	mm	mm	mm					
1 × 25	12.5	3.5	M4	3.3	6	3.1	2	3,490	3,890	1,290	94	<b>3050</b>
2 × 25								5,230	6,490	2,160	135	<b>3075</b>
3 × 25								6,810	9,080	3,020	187	<b>3100</b>
4 × 25								7,560	10,300	3,450	234	<b>3125</b>
5 × 25								9,000	12,900	4,320	281	<b>3150</b>
6 × 25								10,300	15,500	5,180	327	<b>3175</b>
7 × 25								11,700	18,100	6,040	374	<b>3200</b>
8 × 25								12,300	19,400	6,480	421	<b>3225</b>
9 × 25								13,600	22,000	7,340	468	<b>3250</b>
10 × 25								14,800	24,600	8,200	514	<b>3275</b>
11 × 25								16,000	27,200	9,070	561	<b>3300</b>
12 × 25								16,600	28,500	9,500	608	<b>3325</b>
13 × 25								17,800	31,100	10,300	655	<b>3350</b>
1 × 40								20	4.5	M5	4.3	8
2 × 40	10,600	13,200	4,400	385	<b>4120</b>							
3 × 40	13,800	18,400	6,160	510	<b>4160</b>							
4 × 40	16,800	23,700	7,920	635	<b>4200</b>							
5 × 40	19,700	29,000	9,680	770	<b>4240</b>							
6 × 40	22,400	34,300	11,400	905	<b>4280</b>							
7 × 40	25,100	39,600	13,200	1,020	<b>4320</b>							
8 × 40	27,600	44,800	14,900	1,160	<b>4360</b>							
9 × 40	30,200	50,100	16,700	1,280	<b>4400</b>							
10 × 40	32,600	55,400	18,400	1,410	<b>4440</b>							
11 × 40	35,000	60,700	20,200	1,540	<b>4480</b>							

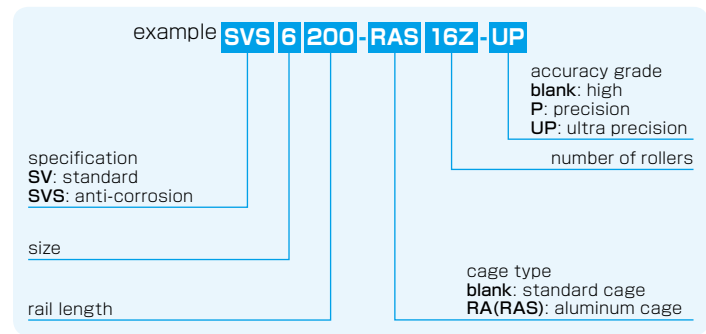
1N≐0.102kgf

# SV TYPE

-SV6/SV9-

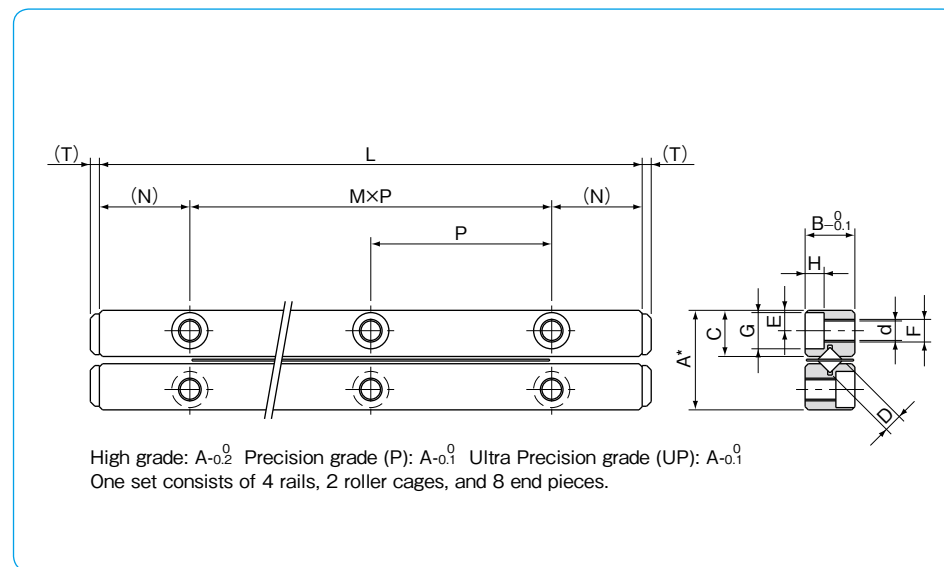


## part number structure



※Stainless steel rollers are used for anti-corrosion type. (refer to page G-5)

part number		stroke	roller diameter	number of rollers	L	A	B	C
standard	anti-corrosion	ST mm	D mm	Z	mm	mm	mm	mm
SV 6100-8Z	SVS 6100-8Z	55	6	8	100	31	15	14.2
6150-12Z	6150-12Z	85		12	150			
6200-16Z	6200-16Z	120		16	200			
6250-20Z	6250-20Z	150		20	250			
6300-24Z	6300-24Z	185		24	300			
6350-28Z	6350-28Z	215		28	350			
6400-32Z	6400-32Z	245		32	400			
6450-36Z	6450-36Z	280		36	450			
6500-40Z	6500-40Z	310		40	500			
6600-49Z	6600-49Z	360		49	600			
SV 9200-10Z	SVS 9200-10Z	115	9	10	200	44	22	20.2
9300-15Z	9300-15Z	175		15	300			
9400-20Z	9400-20Z	235		20	400			
9500-25Z	9500-25Z	295		25	500			
9600-30Z	9600-30Z	355		30	600			
9700-35Z	9700-35Z	415		35	700			
9800-40Z	9800-40Z	475		40	800			
9900-45Z	9900-45Z	535		45	900			
91000-50Z	91000-50Z	595		50	1,000			



major dimensions								basic load rating		allowable	mass	size
M x P	N	E	F	d	G	H	T	dynamic C	static Co	load F	(one set) g	
mm	mm	mm	mm	mm	mm	mm	mm	N	N	N		
1 x 50	25	6	M6	5.2	9.5	5.2	3	20,700	23,600	7,880	628	6100
2 x 50								28,500	35,500	11,800	942	6150
3 x 50								35,700	47,300	15,700	1,260	6200
4 x 50								42,500	59,200	19,700	1,570	6250
5 x 50								49,000	71,000	23,600	1,880	6300
6 x 50								55,300	82,800	27,600	2,200	6350
7 x 50								61,400	94,700	31,500	2,510	6400
8 x 50								67,300	106,000	35,400	2,830	6450
9 x 50								73,100	118,000	39,400	3,140	6500
11 x 50								84,200	142,000	47,300	3,770	6600
1 x 100	50	9	M8	6.8	10.5	6.2	4	60,900	70,700	23,500	2,720	9200
2 x 100								79,300	98,900	32,900	4,030	9300
3 x 100								104,000	141,000	47,000	5,380	9400
4 x 100								120,000	169,000	56,400	6,700	9500
5 x 100								143,000	212,000	70,500	8,050	9600
6 x 100								158,000	240,000	79,900	9,230	9700
7 x 100								180,000	282,000	94,000	10,500	9800
8 x 100								193,000	311,000	103,000	11,900	9900
9 x 100								214,000	353,000	117,000	13,000	91000

1N≒0.102kgf

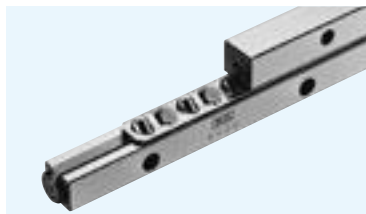
※Maximum Rail Length (standard type only)

part number	Max. length
SV6	700mm

※Please contact NB for details.

# SV TYPE

-SV12-



## part number structure

example **SV 12 500-17Z-P**

specification  
SV: standard

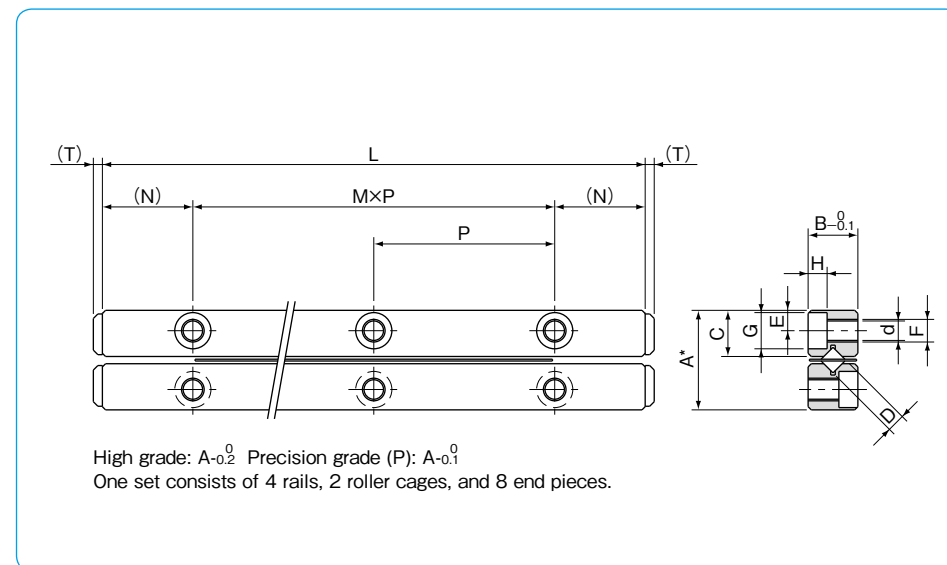
size

rail length

accuracy grade  
blank: high  
P: precision

number of rollers

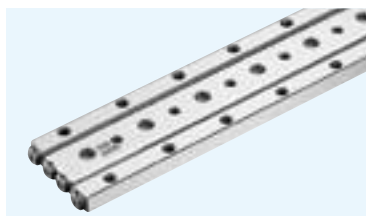
part number		stroke ST mm	roller diameter D mm	number of rollers Z	L mm	A mm	B mm	C mm
standard	anti-corrosion							
<b>SV 12300-10Z</b>	<b>SVS 12300-10Z</b>	200	12	10	300	58	28	27
<b>12400-14Z</b>	<b>12400-14Z</b>	240		14	400			
<b>12500-17Z</b>	<b>12500-17Z</b>	320		17	500			
<b>12600-21Z</b>	<b>12600-21Z</b>	360		21	600			
<b>12700-24Z</b>	<b>12700-24Z</b>	440		24	700			
<b>12800-28Z</b>	<b>12800-28Z</b>	480		28	800			
<b>12900-31Z</b>	<b>12900-31Z</b>	560		31	900			
<b>121000-34Z</b>	<b>121000-34Z</b>	640		34	1,000			
<b>121100-38Z</b>	—	680		38	1,100			
<b>121200-42Z</b>	—	720		42	1,200			



major dimensions								basic load rating dynamic C N	static Co N	allowable load F N	mass (one set) g	size
M×P mm	N mm	E mm	F	d mm	G mm	H mm	T mm					
2×100	50	12	M10	8.5	13.5	8.2	4	124,000	145,000	48,300	6,880	<b>12300</b>
3×100								162,000	203,000	67,600	9,090	<b>12400</b>
4×100								180,000	232,000	77,200	11,400	<b>12500</b>
5×100								214,000	290,000	96,600	13,700	<b>12600</b>
6×100								247,000	348,000	115,000	15,800	<b>12700</b>
7×100								279,000	406,000	135,000	18,200	<b>12800</b>
8×100								294,000	435,000	144,000	20,500	<b>12900</b>
9×100								324,000	493,000	164,000	22,800	<b>121000</b>
10×100								354,000	551,000	183,000	25,000	<b>121100</b>
11×100								382,000	609,000	202,000	27,300	<b>121200</b>

1N≒0.102kgf

# SVW TYPE



## part number structure

example **SVWS 4 200-RAS 19Z-UP**

specification  
**SVW**: standard  
**SVWS**: anti-corrosion

size

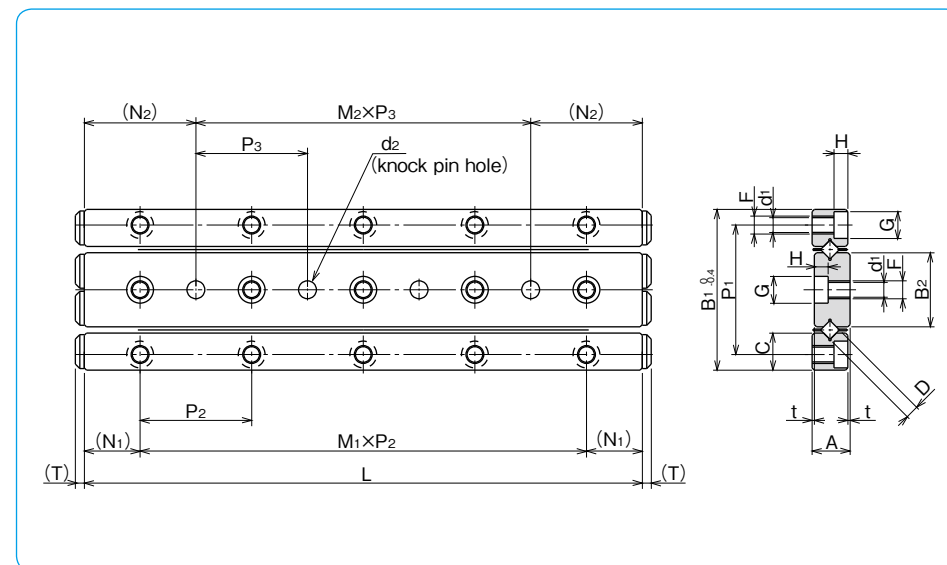
rail length

accuracy grade  
**blank**: high  
**P**: precision  
**UP**: ultra precision

number of rollers

cage type  
**blank**: standard cage  
**RA**: aluminum cage  
**standard**: standard roller  
**RAS**: aluminum cage  
**stainless steel**: stainless steel roller

\* Refer to page G-5 for information on cage types.  
 \*\* Aluminum cage is not available for size 1 and 2.



part number		stroke	roller diameter	number of rollers	L	A	t	B <sub>1</sub>	B <sub>2</sub>	C	P <sub>1</sub>	M <sub>1</sub> × P <sub>2</sub>
standard	anti-corrosion	ST mm	D mm	Z	mm	mm	mm	mm	mm	mm	mm	mm
SVW 1020- 5Z	SVWS 1020- 5Z	12	1.5	5	20	4.5	0.5	17	7.6	3.8	13.4	1 × 10
1030- 7Z	1030- 7Z	20		7	30							2 × 10
1040-10Z	1040-10Z	27		10	40							3 × 10
1050-13Z	1050-13Z	32		13	50							4 × 10
1060-16Z	1060-16Z	37		16	60							5 × 10
1070-19Z	1070-19Z	42		19	70							6 × 10
1080-21Z	1080-21Z	50		21	80							7 × 10
SVW 2030- 5Z	SVWS 2030- 5Z	18	2	5	30	6.5	0.5	24	11	5.5	19	1 × 15
2045- 8Z	2045- 8Z	24		8	45							2 × 15
2060-11Z	2060-11Z	30		11	60							3 × 15
2075-13Z	2075-13Z	44		13	75							4 × 15
2090-16Z	2090-16Z	50		16	90							5 × 15
2105-18Z	2105-18Z	64		18	105							6 × 15
2120-21Z	2120-21Z	70		21	120							7 × 15
SVW 3050- 7Z	SVWS 3050- 7Z	28	3	7	50	8.5	0.5	36	16.6	8.3	29	1 × 25
3075-10Z	3075-10Z	48		10	75							2 × 25
3100-14Z	3100-14Z	58		14	100							3 × 25
3125-17Z	3125-17Z	78		17	125							4 × 25
3150-21Z	3150-21Z	88		21	150							5 × 25
3175-24Z	3175-24Z	105		24	175							6 × 25
3200-28Z	3200-28Z	115		28	200							7 × 25
SVW 4080- 7Z	SVWS 4080- 7Z	58	4	7	80	11.5	0.5	44	20.4	10.2	35	1 × 40
4120-11Z	4120-11Z	82		11	120							2 × 40
4160-15Z	4160-15Z	105		15	160							3 × 40
4200-19Z	4200-19Z	130		19	200							4 × 40
4240-23Z	4240-23Z	150		23	240							5 × 40
4280-27Z	4280-27Z	175		27	280							6 × 40

major dimensions									basic load rating				allowable		mass		size
N <sub>1</sub>	F	d <sub>1</sub>	G	H	M <sub>2</sub> × P <sub>3</sub>	N <sub>2</sub>	d <sub>2</sub>	T	dynamic C	static Co	load F	load N	mass (one set) g	size			
mm	mm	mm	mm	mm	mm	mm	mm	mm	N	N	N	N	g				
5	M2	1.65	3	1.4	—	10	2 <sup>+0.010/0</sup>	0.8	464	476	158	11	11	1020			
					1 × 10				641	714	237	14	14	1030			
					2 × 10				959	1,190	396	18	18	1040			
					3 × 10				1,100	1,420	475	22	22	1050			
					4 × 10				1,380	1,900	633	26	26	1060			
					5 × 10				1,510	2,140	712	30	30	1070			
					6 × 10				1,650	2,380	792	34	34	1080			
7.5	M3	2.55	4.4	2	—	15	3 <sup>+0.010/0</sup>	1.2	1,090	1,170	390	28	28	2030			
					1 × 15				1,900	2,340	780	42	42	2045			
					2 × 15				2,270	2,930	976	55	55	2060			
					3 × 15				2,620	3,510	1,170	69	69	2075			
					4 × 15				3,280	4,680	1,560	83	83	2090			
					5 × 15				3,590	5,270	1,750	96	96	2105			
					6 × 15				3,900	5,860	1,950	110	110	2120			
12.5	M4	3.3	6	3.1	—	25	4 <sup>+0.012/0</sup>	2	3,490	3,890	1,290	94	94	3050			
					1 × 25				5,230	6,490	2,160	135	135	3075			
					2 × 25				6,810	9,080	3,020	187	187	3100			
					3 × 25				7,560	10,300	3,450	234	234	3125			
					4 × 25				9,000	12,900	4,320	281	281	3150			
					5 × 25				10,300	15,500	5,180	327	327	3175			
					6 × 25				11,700	18,100	6,040	374	374	3200			
20	M5	4.3	8	4.2	—	40	5 <sup>+0.012/0</sup>	2	7,110	7,920	2,640	255	255	4080			
					1 × 40				10,600	13,200	4,400	385	385	4120			
					2 × 40				13,800	18,400	6,160	510	510	4160			
					3 × 40				16,800	23,700	7,920	635	635	4200			
					4 × 40				19,700	29,000	9,680	770	770	4240			
					5 × 40				22,400	34,300	11,400	905	905	4280			

1N≒0.102kgf

# SLIDE TABLE

The NB slide table is a precision table equipped with a slide way. Its high-precision and low-friction characteristics make it well suited for use in electronics automatic-assembly machines, optical measurement devices, etc.

## STRUCTURE AND ADVANTAGES

The NB slide table consists of a slide way sandwiched between an accurately machined table and a bed. Stoppers are provided inside the table.

### High Accuracy

The mounting surfaces of the table and bed are precision finished to ensure high precision linear motion, resulting in a high performance slide way.

### Low Friction

Its non-recirculating mechanism provides stable motion at from low to high speeds.

### Compact and High Rigidity

Being designed compactly, the NB slide table holds the high load capacity and high rigidity characteristics.

Figure G-16 Structure of NVT type

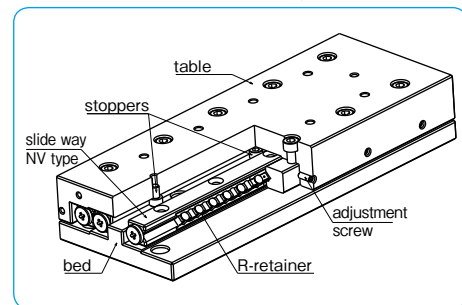
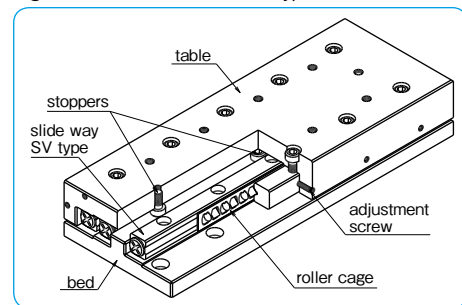


Figure G-18 Structure of SVT type



### No Need for Adjustment

The table is carefully assembled so that the accuracy and preload are optimized, it can be used immediately without any further adjustment.

### Ease of Mounting

Standardized mounting holes are provided in the table and bed. High precision linear motion can be achieved simply by mounting.

Figure G-17 Structure of NYT type

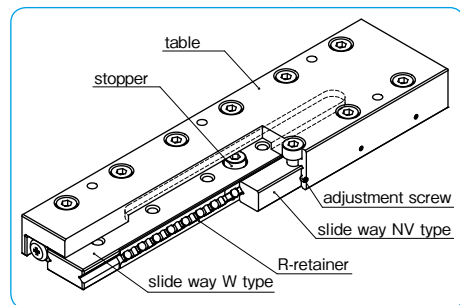
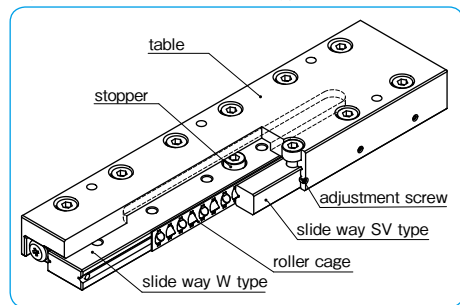


Figure G-19 Structure of SYT type



## TYPES

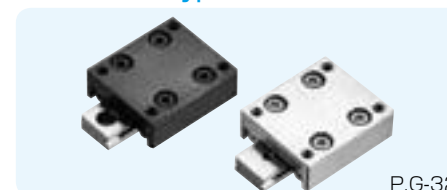
### NVT·NVTS type



P.G-28

The NVT type slide table incorporates the NV type slide way. The table and bed have been precision machined to provide a high degree of accuracy and the product can be used, without any need for troublesome accuracy or preload adjustments. In the NVTS type, the anti-corrosion NVS type slide way is sandwiched between an accurately machined aluminum table and bed.

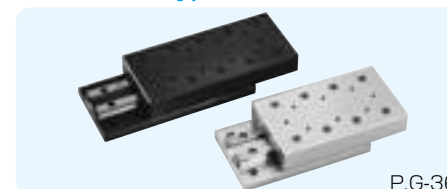
### NYT·NYTS type



P.G-32

The NYT/NYTS type is a thin, compact slide table, utilizing the studroller system. Either tapped or counterbore mounting type (D type) is available. The anti-corrosion type NYTS slide table is made of all stainless steel components except for R-retainer.

### SVT·SVTS type



P.G-36

In the SVT type slide table, the SV type slide way is sandwiched between an accurately machined steel table and bed. In the SVTS type, the anti-corrosion SVS type slide way is sandwiched between an accurately machined aluminum table and bed.

### SYT·SYTS type



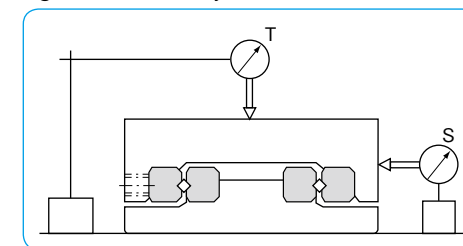
P.G-42

The SYT/SYTS type is a thin, compact slide table. Either tapped or counterbore type (D type) is available for the mounting hole. The anti-corrosion SYTS type slide table is made of all stainless steel components, making it suitable for use in clean rooms.

## ACCURACY

The motion accuracy of a slide table is measured by placing indicators at the center of the top and side surface of the table, as illustrated in Figure G-20. It is expressed in terms of the indicator deviation when the table is moved the full stroke without any load. For accuracy, please see the dimension tables.

Figure G-20 Accuracy Measurement Method



### RATED LIFE

The life of an NB slide table is calculated using the following equations.

Rated Life

$$L = \left( \frac{f_T \cdot C}{f_w \cdot P} \right)^{10/3} \cdot 50$$

L: rated life(km) f<sub>T</sub>: temperature coefficient f<sub>w</sub>: applied load coefficient  
 C: basic dynamic load rating(N) P: applied load(N)  
 ※Please refer to page Eng-5 for the coefficients.

Life Time

$$L_h = \frac{L \cdot 10^3}{2 \cdot l_s \cdot n \cdot 60}$$

L<sub>h</sub>: life time (hr) l<sub>s</sub>: stroke length (m)  
 n: number of cycles per minute (cpm)

### LOAD RATING

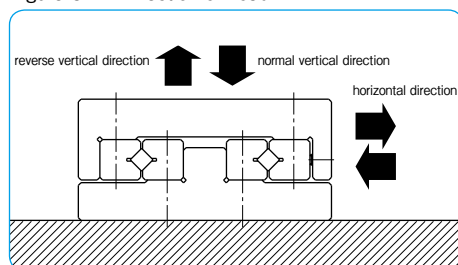
The load rating of the slide table NVT type and NYT type differs depending on the direction of the load.

Table G-6 Change of Load Rating Corresponding to Load Direction

basic dynamic load rating	normal vertical direction	1.0×C
	horizontal direction	0.85×C
	reverse vertical direction	0.7×C
basic static load rating	normal vertical direction	1.0×C <sub>0</sub>
	horizontal direction	0.85×C <sub>0</sub>
	reverse vertical direction	0.7×C <sub>0</sub>

※There may be a difference depending on the size. Please contact NB for details.  
 Consideration has been given to holes for STUDROLLERS in the raceway surface in calculation of load ratings.

Figure G-21 Direction of Load



### USE AND HANDLING PRECAUTIONS

#### Careful Handling

Dropping the slide table causes the rolling elements to make dents in the raceway surface. This will prevent smooth motion and will also affect accuracy. Be sure to handle the product with care.

#### Dust Prevention

Dust and foreign particles affect the accuracy and lifetime of a slide table. A slide table used in a harsh environment should be protected with a cover.

#### Lubrication

The slide table is prelubricated with lithium soap based grease prior to shipment for immediate use. Make sure to relubricate with a similar type of grease periodically depending on the operating conditions.

#### Cage Slippage

For the SVT/SYT type, the cage can slip under high-speed motion, vertical application, unbalanced-loading, and vibrating conditions. It is advised

that the motion speed be kept under 0.5m/s under general operating conditions. It is also recommended that the rails be cycled to perform the maximum stroke several times, so that the cage returns to its central position.

#### Adjustment/Installation Screw

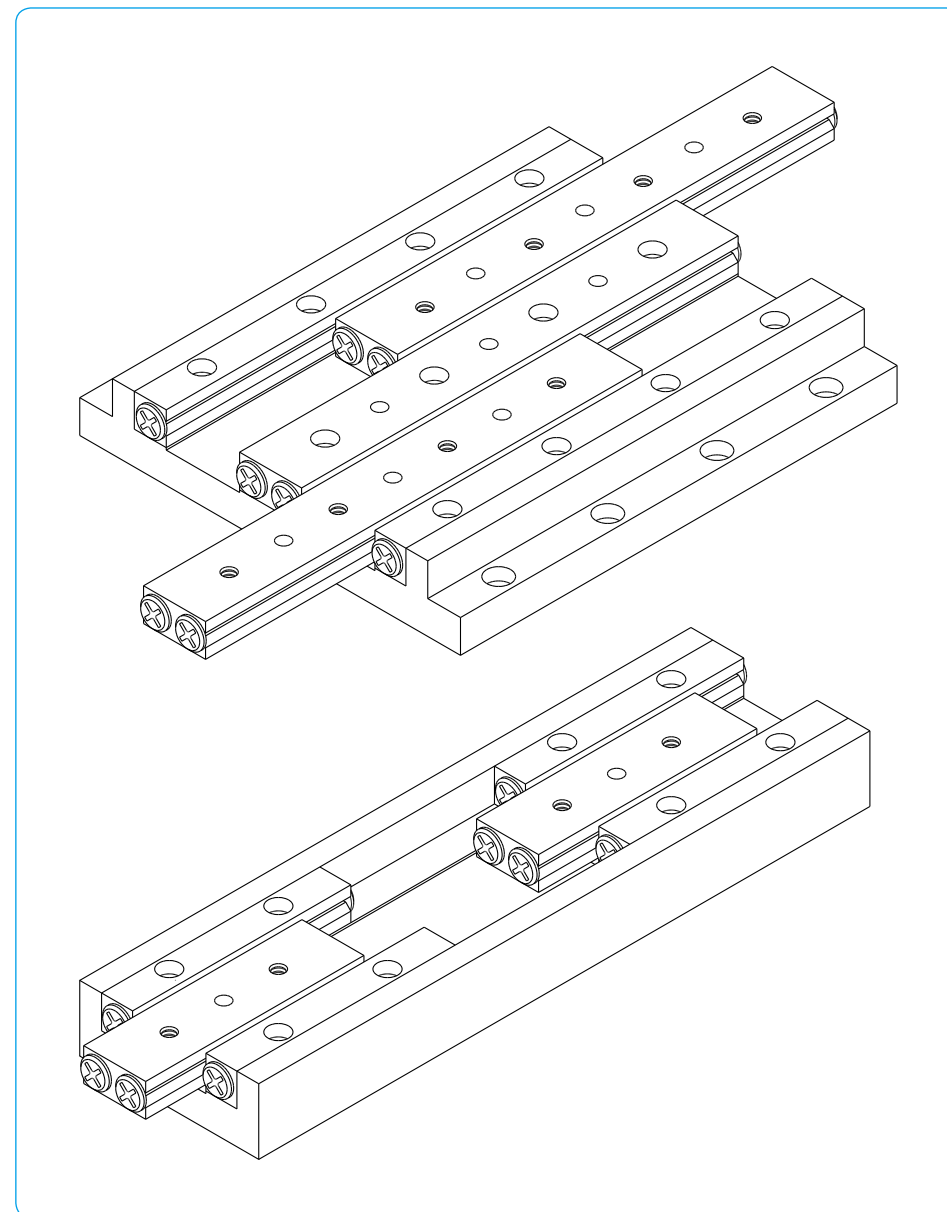
The NB slide table is adjusted to achieve optimum accuracy and preload. The adjustment screw and rail installation screws should be kept untouched.

#### Allowable Load

The allowable load is a load under which the sum of elastic deformations of the rolling element and the raceway in the contact area subject to the maximum contact stress is small enough to guarantee smooth rolling movement. When very smooth and highly accurate linear motion is required, make sure to use the product within the allowable load.

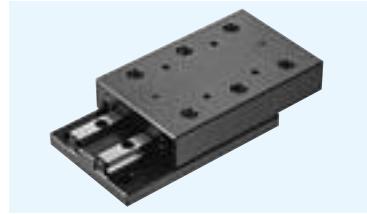
### SPECIAL REQUIREMENTS

NB can machine tables to meet special requirements, including tables with a micrometer head and tables for projectors. Please contact NB for details.

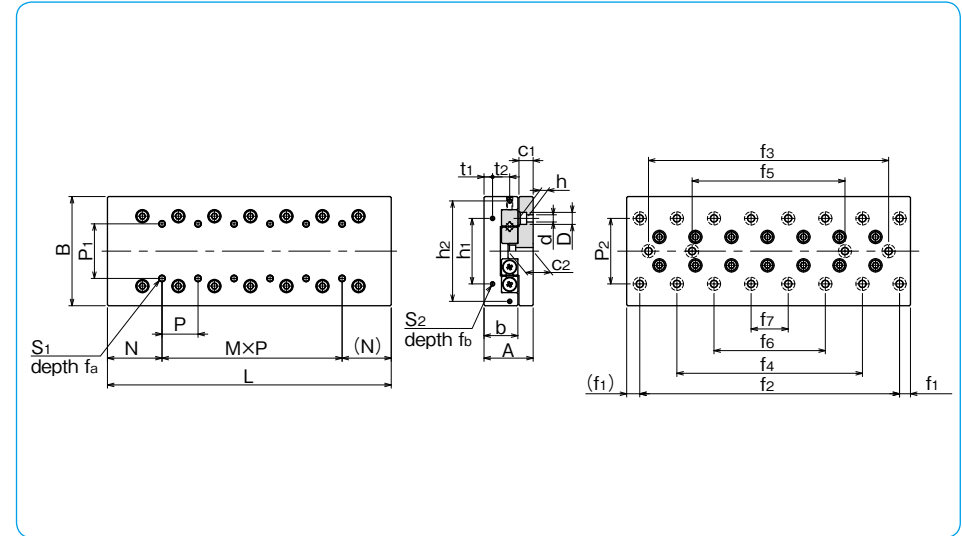
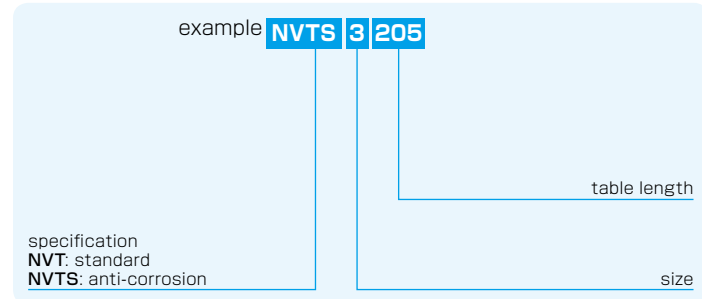


# NVT TYPE

-NVT2/NVT3/NVT4-



## part number structure



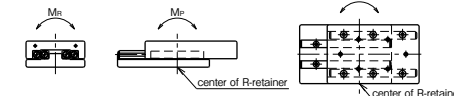
part number		stroke	major dimensions				table-top mounting hole dimensions				table-end mounting hole dimensions							
standard	anti-corrosion	ST mm	A mm	B mm	L mm	b mm	P <sub>1</sub> mm	S <sub>1</sub>	f <sub>a</sub> mm	N mm	M×P mm	h <sub>1</sub> mm	h <sub>2</sub> mm	t <sub>1</sub> mm	t <sub>2</sub> mm	S <sub>2</sub>	f <sub>b</sub> mm	
<b>NVT2035</b>	<b>NVTS2035</b>	18			35						—							
<b>2050</b>	<b>2050</b>	30			50					1×15								
<b>2065</b>	<b>2065</b>	40			65					2×15								
<b>2080</b>	<b>2080</b>	50			80					3×15								
<b>2095</b>	<b>2095</b>	60			95					4×15								
<b>2110</b>	<b>2110</b>	70	21 <sup>±0.1</sup>	40 <sup>-0.2/-0.4</sup>	110	14	15	M3	6	17.5	5×15	16	—	3.4	—	M2	6	
<b>2125</b>	<b>2125</b>	80			125					6×15								
<b>2140</b>	<b>2140</b>	90			140					7×15								
<b>2155</b>	<b>2155</b>	100			155					8×15								
<b>2170</b>	<b>2170</b>	110			170					9×15								
<b>2185</b>	<b>2185</b>	120			185					10×15								
<b>NVT3055</b>	<b>NVTS3055</b>	30			55					—								
<b>3080</b>	<b>3080</b>	45			80					1×25								
<b>3105</b>	<b>3105</b>	60			105					2×25								
<b>3130</b>	<b>3130</b>	75			130					3×25								
<b>3155</b>	<b>3155</b>	90	28 <sup>±0.1</sup>	60 <sup>±0.1</sup>	155	18.5	25	M4	8	27.5	4×25	40	—	5.5	—	M3	6	
<b>3180</b>	<b>3180</b>	105			180					5×25								
<b>3205</b>	<b>3205</b>	130			205					6×25								
<b>3230</b>	<b>3230</b>	155			230					7×25								
<b>NVT4085</b>	<b>NVTS4085</b>	50			85					—								
<b>4125</b>	<b>4125</b>	75			125					1×40								
<b>4165</b>	<b>4165</b>	105	35 <sup>±0.1</sup>	80 <sup>±0.1</sup>	165	24	40	M5	10	42.5	2×40	55	—	6.5	—	M3	6	
<b>4205</b>	<b>4205</b>	130			205					3×40								
<b>4245</b>	<b>4245</b>	155			245					4×40								
<b>4285</b>	<b>4285</b>	185			285					5×40								

The basic static load rating is the value at the center of the stroke.

bed-surface mounting hole dimensions														accuracy ※(deviation)		basic load rating		allowable	allowable static moment			mass		size
P <sub>2</sub> mm	d×D×h mm	c <sub>1</sub> mm	c <sub>2</sub> mm	f <sub>1</sub> mm	f <sub>2</sub> mm	f <sub>3</sub> mm	f <sub>4</sub> mm	f <sub>5</sub> mm	f <sub>6</sub> mm	f <sub>7</sub> mm	T μm	S μm	C N	Co N	F N	M <sub>P</sub> N·m	M <sub>Y</sub> N·m	M <sub>R</sub> N·m	NVT g	NVTS g	size			
30	3.5×6.5×3.5	6.5	10.9	5	25	—	—	—	—	—	2	4	1,360	1,520	509	10.1	8.8	13.7	200	95	<b>2035</b>			
					40	—	—	—	—	—	2	4	2,330	3,050	1,010	18.9	18.7	18.6	287	140	<b>2050</b>			
					55	—	—	—	—	—	2	5	3,190	4,580	1,520	36.9	35.7	32.4	377	182	<b>2065</b>			
					70	—	40	—	—	—	2	5	3,990	6,110	2,030	53.2	53.8	37.3	455	225	<b>2080</b>			
					85	—	55	—	—	—	2	5	4,740	7,630	2,540	80.3	79.9	51.1	550	260	<b>2095</b>			
					100	—	70	—	—	—	3	6	5,460	9,160	3,050	104	106	56	640	295	<b>2110</b>			
					115	—	85	—	—	—	3	6	6,160	10,600	3,560	130	135	60.9	730	340	<b>2125</b>			
					130	—	100	—	70	—	3	6	6,830	12,200	4,070	171	176	74.7	810	370	<b>2140</b>			
					145	—	115	—	85	—	3	6	8,130	15,200	5,090	235	244	88.4	890	410	<b>2155</b>			
					160	—	130	—	100	—	3	7	8,750	16,800	5,600	275	289	93.3	980	450	<b>2170</b>			
175	—	145	—	115	85	3	7	9,370	18,300	6,110	317	338	98.3	1,070	490	<b>2185</b>								
40	4.5×8×4.5	9	15	10	35	—	—	—	—	—	2	5	6,150	8,060	2,680	20.8	37.2	27.3	643	303	<b>3055</b>			
					60	—	—	—	—	—	2	5	8,440	12,100	4,030	125	119	140	960	445	<b>3080</b>			
					85	—	—	—	—	—	3	6	10,500	16,100	5,370	188	186	167	1,260	590	<b>3105</b>			
					110	—	—	—	—	—	3	6	14,400	24,200	8,060	300	319	195	1,580	725	<b>3130</b>			
					135	85	—	—	—	—	3	6	16,300	28,200	9,410	508	505	308	1,860	860	<b>3155</b>			
					160	110	—	—	—	—	3	7	18,100	32,200	10,700	630	635	335	2,160	1,000	<b>3180</b>			
					185	135	85	—	—	—	3	7	19,800	36,300	12,100	763	779	362	2,460	1,140	<b>3205</b>			
					210	160	110	—	—	—	3	7	21,500	40,300	13,400	906	936	390	2,780	1,310	<b>3230</b>			
					225	185	135	—	—	—	3	7	21,500	40,300	13,400	906	936	390	2,780	1,310	<b>3230</b>			
					265	185	—	—	—	—	3	7	42,400	78,700	26,200	2,380	2,400	1,190	5,730	2,630	<b>4285</b>			

※For accuracy (T, S), refer to Figure G-18 (page G-25).

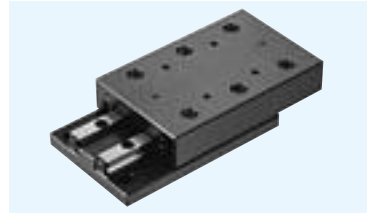
1N≒0.102kgf 1N·m≒0.102kgf·m



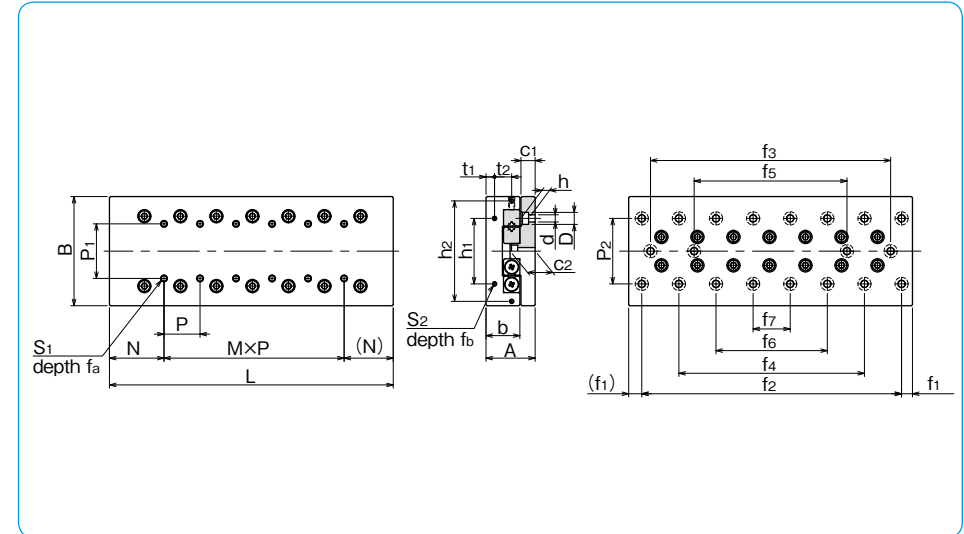
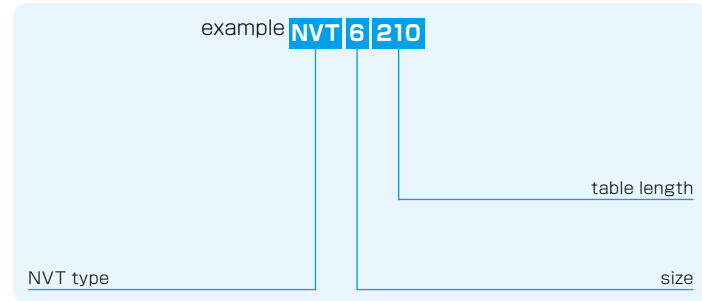


# NVT TYPE

-NVT6/NVT9-



## part number structure



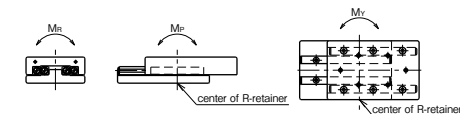
part number	stroke ST mm	major dimensions			table-top mounting hole dimensions					table-end mounting hole dimensions					P <sub>2</sub> mm	d×D×h mm		
		A mm	B mm	L mm	b mm	P <sub>1</sub> mm	S <sub>1</sub> mm	f <sub>a</sub> mm	N mm	M×P mm	h <sub>1</sub> mm	h <sub>2</sub> mm	t <sub>1</sub> mm	t <sub>2</sub> mm			S <sub>2</sub> mm	f <sub>b</sub> mm
<b>NVT6110</b>	60			110					—									
<b>6160</b>	95			160					1×50									
<b>6210</b>	130			210					2×50									
<b>6260</b>	165	45 <sup>±0.1</sup>	100 <sup>±0.1</sup>	260	31	50	M6	12	55	3×50	60	92	8	15	M4	8	60	7×11.5×7
<b>6310</b>	200			310						4×50								
<b>6360</b>	235			360						5×50								
<b>6410</b>	265			410						6×50								
<b>NVT9210</b>	130			210						—								
<b>9310</b>	180	60 <sup>±0.1</sup>	145 <sup>±0.1</sup>	310	43	85	M8	16	105	1×100	90	135	11	20	M4	8	90	9×14×9
<b>9410</b>	220			410						2×100								
<b>9510</b>	300			510						3×100								

The basic static load rating is the value at the center of the stroke.

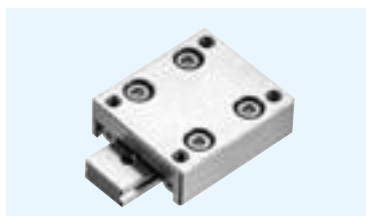
bed-surface mounting hole dimensions								accuracy ※(deviation)		basic load rating		allowable load F N	allowable static moment			mass g	size			
c <sub>1</sub> mm	c <sub>2</sub> mm	f <sub>1</sub> mm	f <sub>2</sub> mm	f <sub>3</sub> mm	f <sub>4</sub> mm	f <sub>5</sub> mm	f <sub>6</sub> mm	f <sub>7</sub> mm	T μm	S μm	dynamic C N		static C <sub>0</sub> N	M <sub>P</sub> N·m	M <sub>Y</sub> N·m			M <sub>R</sub> N·m		
13	23	10	90	—	—	—	—	—	3	6	29,600	37,500	12,500	216	303	343	3,300	<b>6110</b>		
			140	—	—	—	—	—	3	6	40,700	56,300	18,700	937	927	995	4,850	<b>6160</b>		
			190	90	—	—	—	—	—	3	7	60,600	93,900	31,300	1,950	1,980	1,410	6,310	<b>6210</b>	
			240	140	—	—	—	—	—	3	7	69,800	112,000	37,500	2,680	2,770	1,640	7,790	<b>6260</b>	
			290	190	—	—	—	—	—	3	7	78,800	131,000	43,800	4,460	4,410	2,490	9,260	<b>6310</b>	
			340	240	140	—	—	—	—	—	4	8	87,400	150,000	50,100	5,570	5,580	2,720	10,900	<b>6360</b>
16	29	55	390	290	190	—	—	—	4	8	104,000	187,000	62,600	7,440	7,660	2,950	12,460	<b>6410</b>		
			100	—	—	—	—	—	—	3	6	96,100	128,000	42,600	1,700	2,110	2,260	12,550	<b>9210</b>	
			200	—	—	—	—	—	—	3	6	143,000	213,000	71,100	6,550	6,580	5,330	18,000	<b>9310</b>	
			300	—	—	—	—	—	—	3	7	186,000	298,000	99,500	12,600	12,700	7,770	24,010	<b>9410</b>	
			400	—	—	—	—	—	—	—	3	7	206,000	341,000	113,000	18,700	18,600	10,200	30,100	<b>9510</b>

※For accuracy (T, S), refer to Figure G-18 (page G-25).

1N ≒ 0.102kgf    1N · m ≒ 0.102kgf · m



# NYT TYPE



## part number structure

example **NYT 2 065**

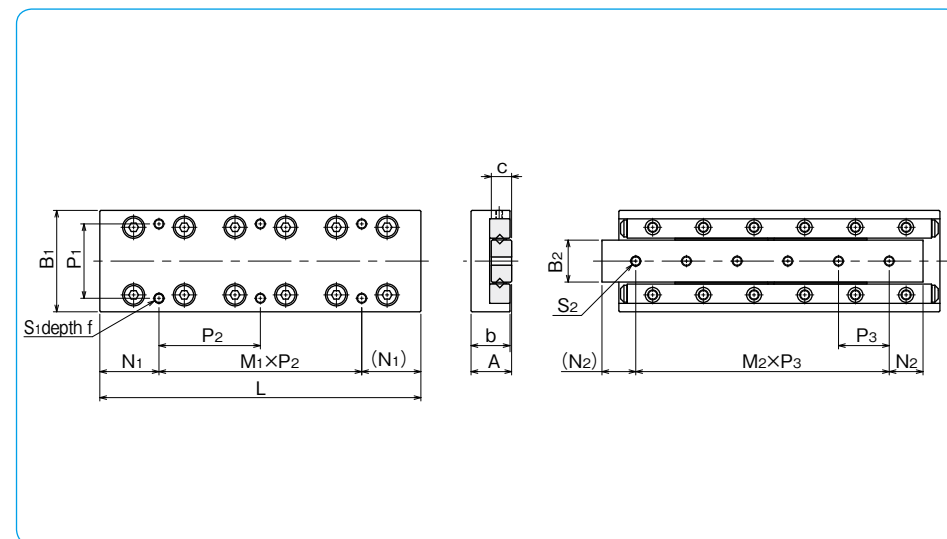
table length

specification  
 NYT: standard  
 NYTS: anti-corrosion

size

part number		stroke ST mm	major dimensions						table-top mounting hole dimensions				
standard	anti-corrosion		A	B <sub>1</sub>	L	b	B <sub>2</sub>	c	P <sub>1</sub>	S <sub>1</sub>	f	N <sub>1</sub>	M <sub>1</sub> × P <sub>2</sub>
<b>NYT 2035</b>	<b>NYTS 2035</b>	18	12±0.1	30±0.1	35	11.5	12.4	6	22	M3	5	3.5	1×28
<b>2050</b>	<b>2050</b>	30			50							17.5	1×30
<b>2065</b>	<b>2065</b>	40			65							17.5	1×30
<b>2080</b>	<b>2080</b>	50			80							17.5	1×45
<b>2095</b>	<b>2095</b>	60			95							17.5	2×30
<b>2110</b>	<b>2110</b>	70			110							32.5	1×45
<b>2125</b>	<b>2125</b>	80			125							17.5	2×45
<b>NYT 3055</b>	<b>NYTS 3055</b>	30	16±0.1	40±0.1	55	15.5	16.7	8	30	M4	7	7.5	1×40
<b>3080</b>	<b>3080</b>	45			80							7.5	1×65
<b>3105</b>	<b>3105</b>	60			105							27.5	1×50
<b>3130</b>	<b>3130</b>	75			130							27.5	1×75
<b>3155</b>	<b>3155</b>	90			155							27.5	2×50
<b>3180</b>	<b>3180</b>	105			180							52.5	1×75
<b>3205</b>	<b>3205</b>	130			205							27.5	2×75

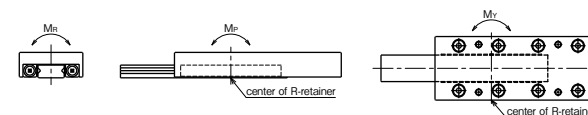
The basic static load rating is the value at the center of the stroke.



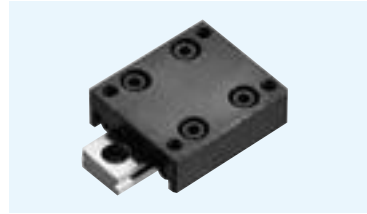
bed-surface mounting hole dimensions S <sub>2</sub>	N <sub>2</sub>		M <sub>2</sub> × P <sub>3</sub>		accuracy ※(deviation)		basic load rating		allowable load F N	allowable static moment			mass g	size
	N <sub>2</sub> mm	M <sub>2</sub> × P <sub>3</sub> mm	T μm	S μm	dynamic C N	static C <sub>0</sub> N	M <sub>P</sub> N · m	M <sub>Y</sub> N · m		M <sub>R</sub> N · m				
M3	7.5	1×20	2	4	1,360	1,520	509	10.1	8.80	9.93	84	<b>2035</b>		
	10	2×15	2	4	2,330	3,050	1,010	18.9	18.7	13.4	120	<b>2050</b>		
	10	3×15	2	5	3,190	4,580	1,520	36.9	35.7	23.4	157	<b>2065</b>		
	10	4×15	2	5	3,990	6,110	2,030	53.2	53.8	26.9	190	<b>2080</b>		
	10	5×15	2	5	4,740	7,630	2,540	80.3	79.9	36.9	225	<b>2095</b>		
	10	6×15	2	5	5,460	9,160	3,050	104	106	40.4	265	<b>2110</b>		
	10	7×15	2	5	6,160	10,600	3,560	130	135	44.0	305	<b>2125</b>		
M4	10	1×35	2	5	6,150	8,060	2,680	23.6	37.2	17.0	228	<b>3055</b>		
	15	2×25	2	5	8,440	12,100	4,030	125	119	87.2	345	<b>3080</b>		
	15	3×25	3	5	10,500	16,100	5,370	188	186	104	450	<b>3105</b>		
	15	4×25	3	5	14,400	24,200	8,060	302	319	121	570	<b>3130</b>		
	15	5×25	3	5	16,300	28,200	9,410	508	505	191	665	<b>3155</b>		
	15	6×25	3	5	18,100	32,200	10,700	630	635	208	780	<b>3180</b>		
	15	7×25	3	5	19,800	36,300	12,100	763	779	225	890	<b>3205</b>		

※For accuracy (T, S), refer to Figure G-20 (page G-25).

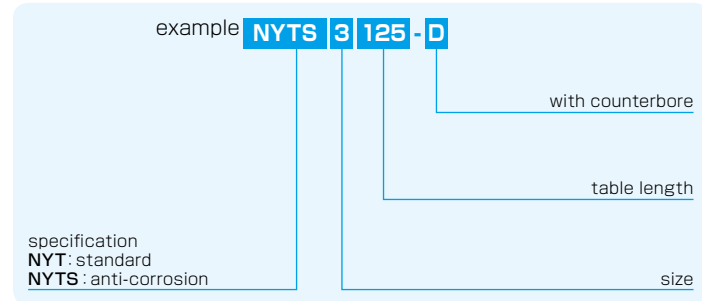
1N ≃ 0.102kgf 1N · m ≃ 0.102kgf · m



# NYT-D TYPE

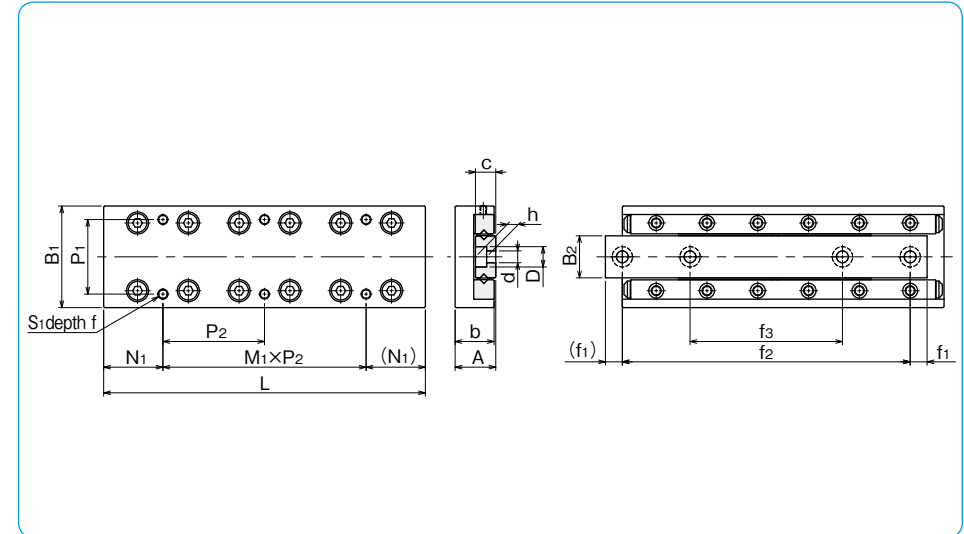


## part number structure



part number		stroke	major dimensions						table-top mounting hole dimensions				
standard	anti-corrosion	ST mm	A mm	B <sub>1</sub> mm	L mm	b mm	B <sub>2</sub> mm	c mm	P <sub>1</sub> mm	S <sub>1</sub> mm	f mm	N <sub>1</sub> mm	M <sub>1</sub> ×P <sub>2</sub> mm
NYT 2035-D	NYTS 2035-D	18	12±0.1	30±0.1	35	11.5	12.4	6	22	M3	5	3.5	1×28
2050-D	2050-D	30			50							3.5	1×43
2065-D	2065-D	40			65							17.5	1×30
2080-D	2080-D	50			80							17.5	1×45
2095-D	2095-D	60			95							17.5	2×30
2110-D	2110-D	70			110							32.5	1×45
2125-D	2125-D	80	125	17.5	2×45								
NYT 3055-D	NYTS 3055-D	30	16±0.1	40±0.1	55	15.5	16.7	8	30	M4	7	7.5	1×40
3080-D	3080-D	45			80							7.5	1×65
3105-D	3105-D	60			105							27.5	1×50
3130-D	3130-D	75			130							27.5	1×75
3155-D	3155-D	90			155							27.5	2×50
3180-D	3180-D	105			180							52.5	1×75
3205-D	3205-D	130	205	27.5	2×75								

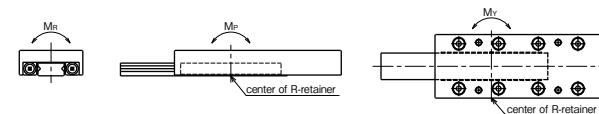
The basic static load rating is the value at the center of the stroke.



bed-surface mounting hole dimensions d×D×h mm	hole dimensions			accuracy ※(deviation)		basic load rating		allowable load F N	allowable static moment			mass g	size
	f <sub>1</sub> mm	f <sub>2</sub> mm	f <sub>3</sub> mm	T μm	S μm	dynamic C N	static Co N		M <sub>P</sub> N·m	M <sub>Y</sub> N·m	M <sub>R</sub> N·m		
3.5×6×3.3	5	25	—	2	4	1,360	1,520	509	10.1	8.80	9.93	84	2035
	7.5	35	—	2	4	2,330	3,050	1,010	18.9	18.7	13.4	120	2050
	5	55	33	2	5	3,190	4,580	1,520	36.9	35.7	23.4	157	2065
	5	70	40	2	5	3,990	6,110	2,030	53.2	53.8	26.9	190	2080
	5	85	45	2	5	4,740	7,630	2,540	80.3	79.9	36.9	225	2095
	7.5	95	50	2	5	5,460	9,160	3,050	104	106	40.4	265	2110
	7.5	110	55	2	5	6,160	10,600	3,560	130	135	44.0	305	2125
	7.5	40	—	2	5	6,150	8,060	2,680	23.6	37.2	17.0	228	3055
4.5×7.5×4.3	6	68	43	2	5	8,440	12,100	4,030	125	119	87.2	345	3080
	7.5	90	55	3	5	10,500	16,100	5,370	188	186	104	450	3105
	7.5	115	65	3	5	14,400	24,200	8,060	302	319	121	570	3130
	7.5	140	95	3	5	16,300	28,200	9,410	508	505	191	665	3155
	7.5	165	85	3	5	18,100	32,200	10,700	630	635	208	780	3180
	7.5	190	90	3	5	19,800	36,300	12,100	763	779	225	890	3205

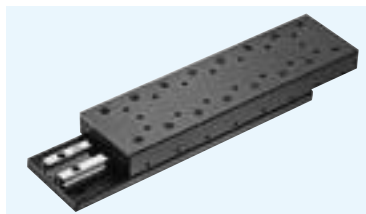
※For accuracy (S, P), refer to Figure G-20 (page G-25).

1N≒0.102kgf 1N·m≒0.102kgf·m

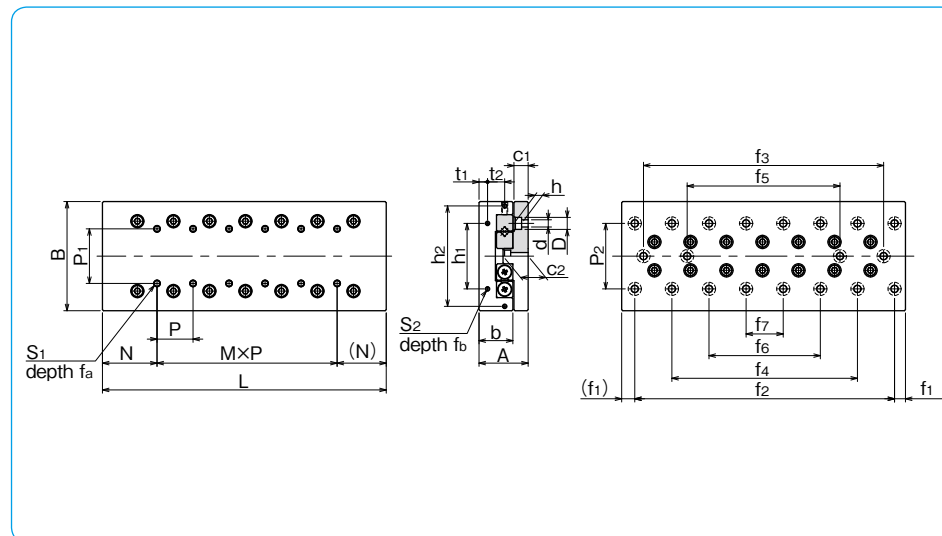
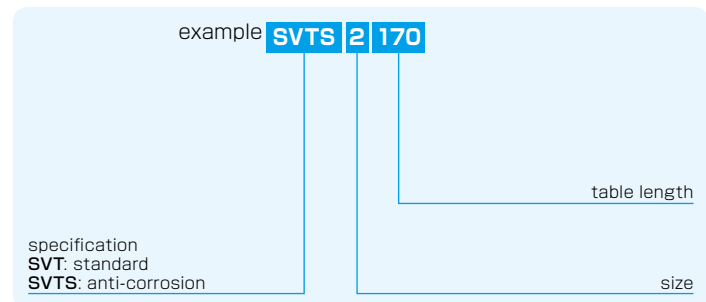


# SVT TYPE

-SVT1/SVT2-



## part number structure

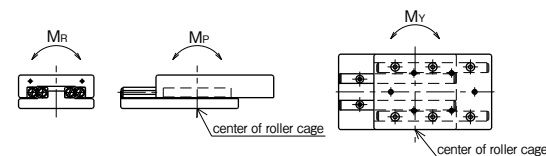


part number		stroke	major dimensions				table-top mounting hole dimensions					table-end mounting hole dimensions					
standard	anti-corrosion	ST mm	A mm	B mm	L mm	b mm	P <sub>1</sub> mm	S <sub>1</sub>	f <sub>a</sub> mm	N mm	M×P mm	h <sub>1</sub> mm	h <sub>2</sub> mm	t <sub>1</sub> mm	t <sub>2</sub> mm	S <sub>2</sub>	f <sub>b</sub> mm
<b>SVT 1025</b>	<b>SVTS 1025</b>	12			25						—						
<b>1035</b>	<b>1035</b>	18			35						1×10						
<b>1045</b>	<b>1045</b>	25			45						2×10						
<b>1055</b>	<b>1055</b>	32	17±0.1	30 <sup>-0.4</sup>	55	11	10	M2	4	12.5	3×10	12	—	2.5	—	M2	6
<b>1065</b>	<b>1065</b>	40			65						4×10						
<b>1075</b>	<b>1075</b>	45			75						5×10						
<b>1085</b>	<b>1085</b>	50			85						6×10						
<b>SVT 2035</b>	<b>SVTS 2035</b>	18			35						—						
<b>2050</b>	<b>2050</b>	30			50						1×15						
<b>2065</b>	<b>2065</b>	40			65						2×15						
<b>2080</b>	<b>2080</b>	50			80						3×15						
<b>2095</b>	<b>2095</b>	60			95						4×15						
<b>2110</b>	<b>2110</b>	70	21±0.1	40 <sup>-0.4</sup>	110	14	15	M3	6	17.5	5×15	16	—	3.4	—	M2	6
<b>2125</b>	<b>2125</b>	80			125						6×15						
<b>2140</b>	<b>2140</b>	90			140						7×15						
<b>2155</b>	<b>2155</b>	100			155						8×15						
<b>2170</b>	<b>2170</b>	110			170						9×15						
<b>2185</b>	<b>2185</b>	120			185						10×15						

bed-surface mounting hole dimensions													accuracy ※(deviation)		basic load rating		allowable		allowable			mass		size
P <sub>2</sub> mm	d×D×h mm	c <sub>1</sub> mm	c <sub>2</sub> mm	f <sub>1</sub> mm	f <sub>2</sub> mm	f <sub>3</sub> mm	f <sub>4</sub> mm	f <sub>5</sub> mm	f <sub>6</sub> mm	f <sub>7</sub> mm	T μm	S μm	C N	Co N	F N	M <sub>P</sub> N·m	M <sub>Y</sub> N·m	M <sub>R</sub> N·m	SVT g	SVTS g				
22	2.5×4.5×2.5	5.5	9	3.5	18	—	—	—	—	—	2	4	464	476	158	1.79	1.47	3.22	82	36	<b>1025</b>			
					28	—	—	—	—	—	—	—	2	4	805	952	316	3.08	3.5	6.45	120	50	<b>1035</b>	
					38	—	—	—	—	—	—	—	—	2	4	959	1,190	396	6.98	6.4	8.06	158	69	<b>1045</b>
					48	—	28	—	—	—	—	—	—	2	5	1,100	1,420	475	9.53	8.81	9.68	190	83	<b>1055</b>
					58	—	38	—	—	—	—	—	—	2	5	1,240	1,660	554	12.4	11.6	11.2	225	98	<b>1065</b>
					68	—	48	—	—	—	—	—	—	2	5	1,510	2,140	712	19.3	18.3	14.5	260	113	<b>1075</b>
					78	—	58	—	—	—	—	—	—	2	5	1,650	2,380	792	23.4	22.3	16.1	295	128	<b>1085</b>
					25	—	—	—	—	—	—	—	—	—	2	4	1,090	1,170	390	7.04	5.78	10.5	195	90
30	3.5×6.5×3.5	6.5	10.9	5	40	—	—	—	—	—	2	4	1,510	1,750	585	12.1	10.7	15.8	280	133	<b>2050</b>			
					55	—	—	—	—	—	—	—	2	5	1,900	2,340	780	19.1	17.1	21.1	370	175	<b>2065</b>	
					70	—	40	—	—	—	—	—	—	2	5	2,620	3,510	1,170	27.4	29.6	31.6	450	220	<b>2080</b>
					85	—	55	—	—	—	—	—	—	2	5	2,950	4,100	1,360	37.4	39.9	36.9	540	250	<b>2095</b>
					100	—	70	—	—	—	—	—	—	3	6	3,280	4,680	1,560	61.7	58.1	42.2	630	285	<b>2110</b>
					115	—	85	—	—	—	—	—	—	3	6	3,590	5,270	1,750	76.1	72.1	47.5	720	330	<b>2125</b>
					130	—	100	—	70	—	—	—	—	3	6	4,210	6,440	2,140	92	95.9	58.1	800	360	<b>2140</b>
					145	—	115	—	85	—	—	—	—	3	6	4,500	7,030	2,340	109	113	63.3	880	400	<b>2155</b>
					160	—	130	—	100	—	—	—	—	3	7	4,790	7,610	2,530	148	143	68.6	970	440	<b>2170</b>
					175	—	145	—	115	85	—	—	—	3	7	5,080	8,200	2,730	170	164	73.9	1,060	480	<b>2185</b>

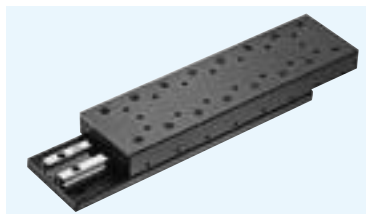
※For accuracy (T, S), refer to Figure G-18 (page G-25).

1N ≃ 0.102kgf 1N·m ≃ 0.102kgf·m

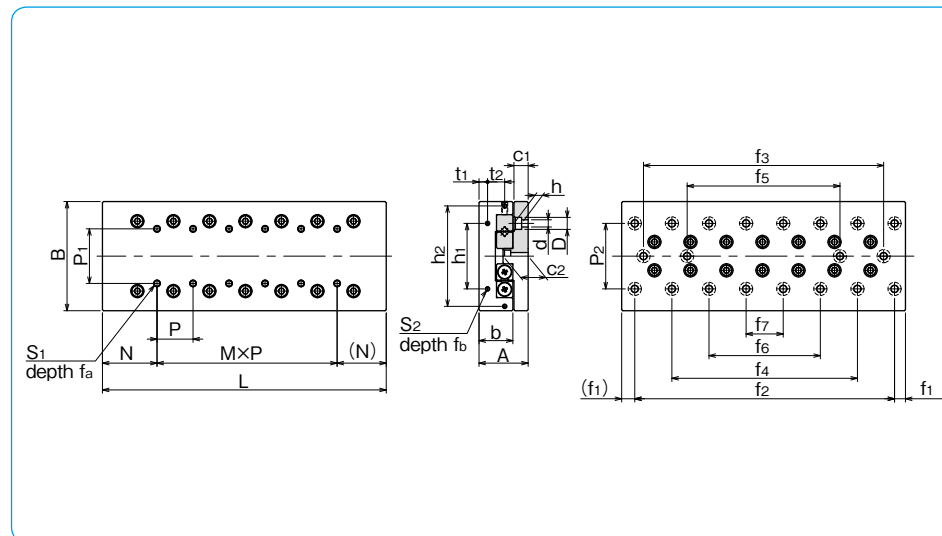
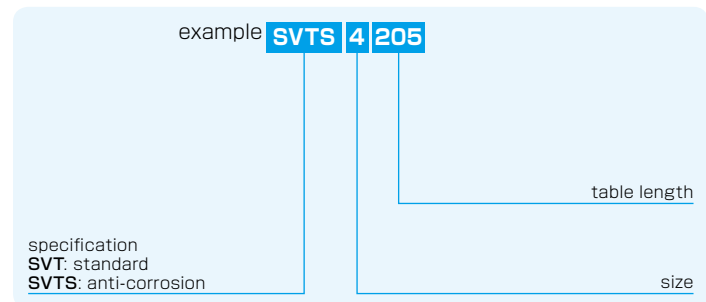


# SVT TYPE

-SVT3/SVT4-



## part number structure

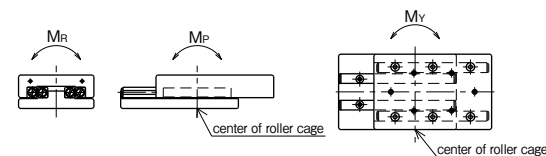


part number		stroke ST mm	major dimensions				table-top mounting hole dimensions					table-end mounting hole dimensions					
standard	anti-corrosion		A mm	B mm	L mm	b mm	P <sub>1</sub> mm	S <sub>1</sub> mm	f <sub>a</sub> mm	N mm	M×P mm	h <sub>1</sub> mm	h <sub>2</sub> mm	t <sub>1</sub> mm	t <sub>2</sub> mm	S <sub>2</sub> mm	f <sub>b</sub> mm
<b>SVT 3055</b>	<b>SVTS 3055</b>	30			55					—							
<b>3080</b>	<b>3080</b>	45			80					1×25							
<b>3105</b>	<b>3105</b>	60			105					2×25							
<b>3130</b>	<b>3130</b>	75			130					3×25							
<b>3155</b>	<b>3155</b>	90	28 <sup>±0.1</sup>	60 <sup>±0.1</sup>	155	18.5	25	M4	8	27.5	4×25	40	—	5.5	—	M3	6
<b>3180</b>	<b>3180</b>	105			180						5×25						
<b>3205</b>	<b>3205</b>	130			205						6×25						
<b>3230</b>	<b>3230</b>	155			230						7×25						
<b>3255</b>	<b>3255</b>	180			255						8×25						
<b>3280</b>	<b>3280</b>	205			280						9×25						
<b>3305</b>	<b>3305</b>	230			305						10×25						
<b>SVT 4085</b>	<b>SVTS 4085</b>	50			85					—							
<b>4125</b>	<b>4125</b>	75			125					1×40							
<b>4165</b>	<b>4165</b>	105			165					2×40							
<b>4205</b>	<b>4205</b>	130			205					3×40							
<b>4245</b>	<b>4245</b>	155	35 <sup>±0.1</sup>	80 <sup>±0.1</sup>	245	24	40	M5	10	42.5	4×40	55	—	6.5	—	M3	6
<b>4285</b>	<b>4285</b>	185			285						5×40						
<b>4325</b>	<b>4325</b>	210			325						6×40						
<b>4365</b>	<b>4365</b>	235			365						7×40						
<b>4405</b>	<b>4405</b>	265			405						8×40						

bed-surface mounting hole dimensions											accuracy ※(deviation)		basic load rating		allowable load		allowable static moment		mass		size			
P <sub>2</sub> mm	d×D×h mm	c <sub>1</sub> mm	c <sub>2</sub> mm	f <sub>1</sub> mm	f <sub>2</sub> mm	f <sub>3</sub> mm	f <sub>4</sub> mm	f <sub>5</sub> mm	f <sub>6</sub> mm	f <sub>7</sub> mm	T μm	S μm	C N	Co N	F N	M <sub>P</sub> N·m	M <sub>Y</sub> N·m	M <sub>R</sub> N·m	SVT g	SVTS g				
40	4.5×8×4.5	9	15	10	35	—	—	—	—	—	2	5	3,490	3,890	1,290	19.4	22.2	54.5	640	300	<b>3055</b>			
					60	—	—	—	—	—	—	—	—	2	5	5,230	6,490	2,160	53.0	58.0	90.9	955	440	<b>3080</b>
					85	—	—	—	—	—	—	—	—	3	6	6,030	7,780	2,590	103	95.7	109	1,250	580	<b>3105</b>
					110	—	—	—	—	—	—	—	—	3	6	7,560	10,300	3,450	170	160	145	1,570	715	<b>3130</b>
					135	85	—	—	—	—	—	—	—	3	6	9,000	12,900	4,320	210	220	181	1,850	850	<b>3155</b>
					160	110	—	—	—	—	—	—	—	3	7	10,300	15,500	5,180	302	314	218	2,150	990	<b>3180</b>
					185	135	85	—	—	—	—	—	—	3	7	11,000	16,800	5,610	355	367	236	2,450	1,130	<b>3205</b>
					210	160	110	—	—	—	—	—	—	3	7	11,700	18,100	6,040	472	455	254	2,740	1,270	<b>3230</b>
					235	185	135	—	—	—	—	—	—	3	7	12,900	20,700	6,910	537	552	290	3,040	1,410	<b>3255</b>
					260	210	160	110	—	—	—	—	—	3	7	13,600	22,000	7,340	606	622	309	3,360	1,540	<b>3280</b>
285	235	185	135	—	—	—	—	—	3	7	14,200	23,300	7,770	757	735	372	3,660	1,680	<b>3305</b>					
55	5.5×10×5.4	10.5	18	10	65	—	—	—	—	—	2	5	7,110	7,920	2,640	96.0	84.9	159	1,700	780	<b>4085</b>			
					105	—	—	—	—	—	—	—	—	3	6	10,600	13,200	4,400	217	199	265	2,500	1,140	<b>4125</b>
					145	—	—	—	—	—	—	—	—	3	7	13,800	18,400	6,160	296	316	371	3,300	1,510	<b>4165</b>
					185	105	—	—	—	—	—	—	—	3	7	16,800	23,700	7,920	488	513	477	4,100	1,870	<b>4205</b>
					225	145	—	—	—	—	—	—	—	3	7	19,700	29,000	9,680	729	759	584	4,900	2,240	<b>4245</b>
					265	185	—	—	—	—	—	—	—	3	7	22,400	34,300	11,400	1,010	1,050	690	5,700	2,600	<b>4285</b>
					305	225	145	—	—	—	—	—	—	4	8	25,100	39,600	13,200	1,350	1,390	796	6,500	3,000	<b>4325</b>
					345	265	185	—	—	—	—	—	—	4	8	27,600	44,800	14,900	1,730	1,780	902	7,300	3,300	<b>4365</b>
					385	305	225	—	—	—	—	—	—	4	8	28,900	47,500	15,800	2,160	2,100	955	8,100	3,700	<b>4405</b>

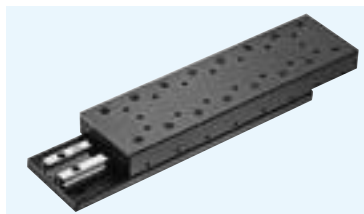
※For accuracy (T, S), refer to Figure G-18 (page G-25).

1N ≅ 0.102kgf 1N · m ≅ 0.102kgf · m

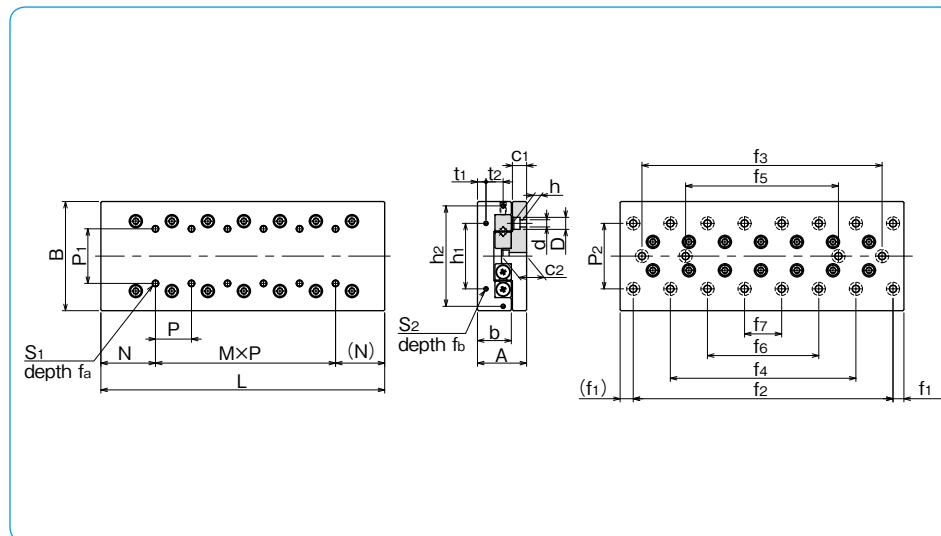
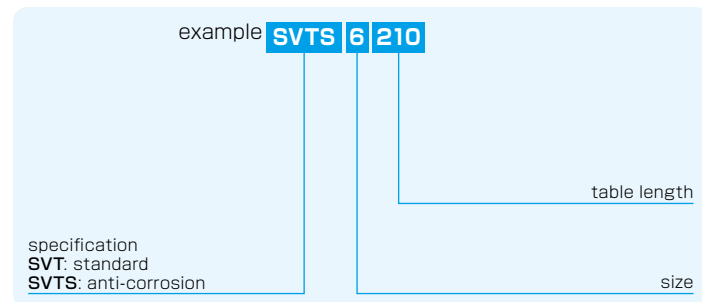


# SVT TYPE

-SVT6/SVT9-



## part number structure

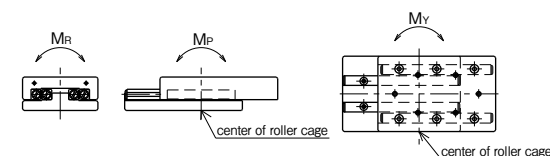


part number		stroke ST mm	major dimensions				table-top mounting hole dimensions					table-end mounting hole dimensions					
standard	anti-corrosion		A mm	B mm	L mm	b mm	P <sub>1</sub> mm	S <sub>1</sub> mm	f <sub>a</sub> mm	N mm	M×P mm	h <sub>1</sub> mm	h <sub>2</sub> mm	t <sub>1</sub> mm	t <sub>2</sub> mm	S <sub>2</sub> mm	f <sub>b</sub> mm
<b>SVT 6110</b>	<b>SVTS 6110</b>	60			110					—							
<b>6160</b>	<b>6160</b>	95			160					1×50							
<b>6210</b>	<b>6210</b>	130			210					2×50							
<b>6260</b>	<b>6260</b>	165			260					3×50							
<b>6310</b>	<b>6310</b>	200	45 <sup>±0.1</sup>	100 <sup>±0.1</sup>	310	31	50	M6	12	55	4×50	60	92	8	15	M4	8
<b>6360</b>	<b>6360</b>	235			360					5×50							
<b>6410</b>	<b>6410</b>	265			410					6×50							
<b>6460</b>	<b>6460</b>	300			460					7×50							
<b>6510</b>	<b>6510</b>	335			510					8×50							
<b>SVT 9210</b>	—	130			210					—							
<b>9310</b>	—	180			310					1×100							
<b>9410</b>	—	350			410					2×100							
<b>9510</b>	—	450			510					3×100							
<b>9610</b>	—	550	60 <sup>±0.1</sup>	145 <sup>±0.1</sup>	610	43	85	M8	16	105	4×100	90	135	11	20	M4	8
<b>9710</b>	—	650			710					5×100							
<b>9810</b>	—	750			810					6×100							
<b>9910</b>	—	850			910					7×100							
<b>91010</b>	—	950			1,010					8×100							

bed-surface mounting hole dimensions											accuracy ※(deviation)		basic load rating		allowable load		allowable static moment			mass		size		
P <sub>2</sub> mm	d×D×h mm	c <sub>1</sub> mm	c <sub>2</sub> mm	f <sub>1</sub> mm	f <sub>2</sub> mm	f <sub>3</sub> mm	f <sub>4</sub> mm	f <sub>5</sub> mm	f <sub>6</sub> mm	f <sub>7</sub> mm	T μm	S μm	C N	Co N	F N	M <sub>P</sub> N·m	M <sub>Y</sub> N·m	M <sub>R</sub> N·m	SVT g	SVTS g				
60	7×11.5×7	13	23	10	90	—	—	—	—	—	3	6	16,500	17,700	5,910	260	230	400	3,280	1,705	<b>6110</b>			
					140	—	—	—	—	—	—	—	—	3	6	24,700	29,600	9,860	588	539	666	4,820	2,480	<b>6160</b>
					190	90	—	—	—	—	—	—	—	3	7	32,200	41,400	13,800	1,040	978	933	6,270	3,255	<b>6210</b>
					240	140	—	—	—	—	—	—	—	3	7	39,200	53,200	17,700	1,630	1,540	1,200	7,740	4,030	<b>6260</b>
					290	190	—	—	—	—	—	—	—	3	7	45,800	65,100	21,600	2,340	2,240	1,460	9,200	4,805	<b>6310</b>
					340	240	140	—	—	—	—	—	—	4	8	52,200	76,900	25,600	2,750	2,850	1,730	10,740	5,580	<b>6360</b>
					390	290	190	—	—	—	—	—	—	4	8	58,400	88,800	29,500	3,660	3,770	2,000	12,190	6,355	<b>6410</b>
					440	340	240	—	—	—	—	—	—	4	8	64,400	100,000	33,500	4,700	4,830	2,260	13,800	7,130	<b>6460</b>
					490	390	290	190	—	—	—	—	—	4	8	70,200	112,000	37,400	5,870	6,010	2,530	15,300	7,905	<b>6510</b>
					90	9×14×9	16	29	55	100	—	—	—	—	—	3	7	51,100	56,500	18,800	1,610	1,440	2,030	12,520
200	—	—	—	—						—	—	—	3	7	79,300	98,900	32,900	3,150	3,360	3,560	17,950	—	<b>9310</b>	
300	100	—	—	—						—	—	—	—	4	8	79,300	98,900	32,900	4,110	3,840	3,560	23,950	—	<b>9410</b>
400	200	—	—	—						—	—	—	—	4	8	96,600	127,000	42,300	6,420	6,080	4,580	30,090	—	<b>9510</b>
500	300	100	—	—						—	—	—	—	4	9	112,000	155,000	51,700	7,760	8,090	5,600	35,990	—	<b>9610</b>
600	400	200	—	—						—	—	—	—	4	9	128,000	183,000	61,100	10,800	11,200	6,620	41,890	—	<b>9710</b>
700	500	300	100	—						—	—	—	—	5	10	136,000	197,000	65,800	14,400	13,900	7,130	47,790	—	<b>9810</b>
800	600	400	200	—						—	—	—	—	5	10	151,000	226,000	75,200	18,500	17,900	8,140	53,690	—	<b>9910</b>
900	700	500	300	100						—	—	—	—	5	10	165,000	254,000	84,600	23,100	22,400	9,160	59,590	—	<b>91010</b>

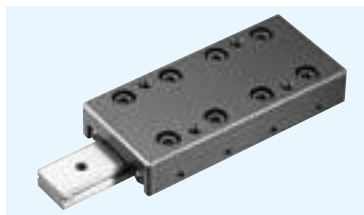
※For accuracy (T, S), refer to Figure G-18 (page G-25).

1N ≃ 0.102kgf 1N · m ≃ 0.102kgf · m

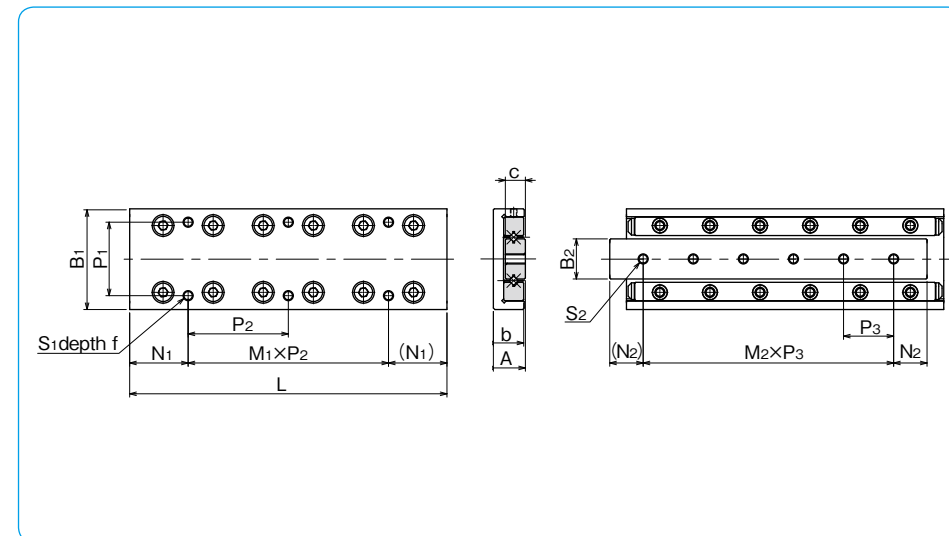
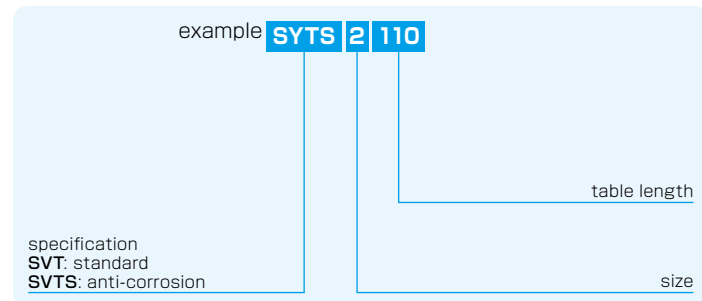


# SYT TYPE

-SYT1/SYT2-



## part number structure

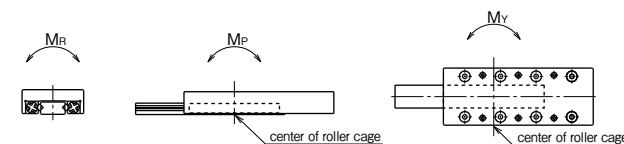


part number		stroke ST mm	major dimensions						table-top mounting hole dimensions		
standard	anti-corrosion		A mm	B <sub>1</sub> mm	L mm	b mm	B <sub>2</sub> mm	c mm	P <sub>1</sub> mm	S <sub>1</sub>	f mm
<b>SYT 1025</b>	<b>SYTS 1025</b>	12	8±0.1	20±0.1	25	7.5	6.6	4	14	M2.6	3
<b>1035</b>	<b>1035</b>	18			35						
<b>1045</b>	<b>1045</b>	25			45						
<b>1055</b>	<b>1055</b>	32			55						
<b>1065</b>	<b>1065</b>	40			65						
<b>1075</b>	<b>1075</b>	45			75						
<b>1085</b>	<b>1085</b>	50			85						
<b>SYT 2035</b>	<b>SYTS 2035</b>	18	12±0.1	30±0.1	35	11.5	12	6	22	M3	5
<b>2050</b>	<b>2050</b>	30			50						
<b>2065</b>	<b>2065</b>	40			65						
<b>2080</b>	<b>2080</b>	50			80						
<b>2095</b>	<b>2095</b>	60			95						
<b>2110</b>	<b>2110</b>	70			110						
<b>2125</b>	<b>2125</b>	80			125						

N <sub>1</sub> mm	M <sub>1</sub> ×P <sub>2</sub> mm	bed-surface mounting hole dimensions		accuracy ※(deviation)		basic load rating		allowable load F N	allowable static moment			mass g	size	
		S <sub>2</sub>	N <sub>2</sub> mm	M <sub>2</sub> ×P <sub>3</sub> mm	T μm	S μm	dynamic C N		static Co N	M <sub>P</sub> N·m	M <sub>Y</sub> N·m			M <sub>R</sub> N·m
3.5	1×18	M2.6	5	2×7.5	2	4	464	476	158	1.79	1.47	1.79	22	<b>1025</b>
3.5	1×28		7.5	2×10	2	4	805	952	316	3.08	3.50	3.58	33	<b>1035</b>
12.5	1×20		7.5	3×10	2	5	959	1,190	396	6.98	6.40	4.48	42	<b>1045</b>
12.5	1×30		7.5	4×10	2	5	1,100	1,420	475	9.53	8.81	5.37	52	<b>1055</b>
12.5	2×20		7.5	5×10	2	5	1,240	1,660	554	12.4	11.6	6.27	63	<b>1065</b>
22.5	1×30		7.5	6×10	2	5	1,510	2,140	712	19.3	18.3	8.06	72	<b>1075</b>
12.5	2×30		7.5	7×10	2	5	1,650	2,380	792	23.4	22.3	8.96	83	<b>1085</b>
3.5	1×28	M3	7.5	1×20	2	4	1,090	1,170	390	7.04	5.78	7.63	79	<b>2035</b>
3.5	1×43		10	2×15	2	4	1,510	1,750	585	12.1	10.7	11.4	113	<b>2050</b>
17.5	1×30		10	3×15	2	5	1,900	2,340	780	19.1	17.1	15.2	150	<b>2065</b>
17.5	1×45		10	4×15	2	5	2,620	3,510	1,170	27.4	29.6	22.8	185	<b>2080</b>
17.5	2×30		10	5×15	2	5	2,950	4,100	1,360	37.4	39.9	26.7	215	<b>2095</b>
32.5	1×45		10	6×15	2	5	3,280	4,680	1,560	61.7	58.1	30.5	255	<b>2110</b>
17.5	2×45		10	7×15	2	5	3,590	5,270	1,750	76.1	72.1	34.3	295	<b>2125</b>

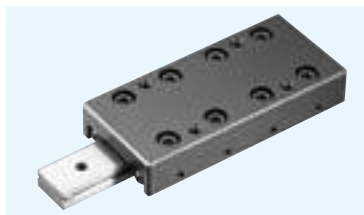
※For accuracy (T, S), refer to Figure G-18 (page G-25).

1N≒0.102kgf 1N·m≒0.102kgf·m

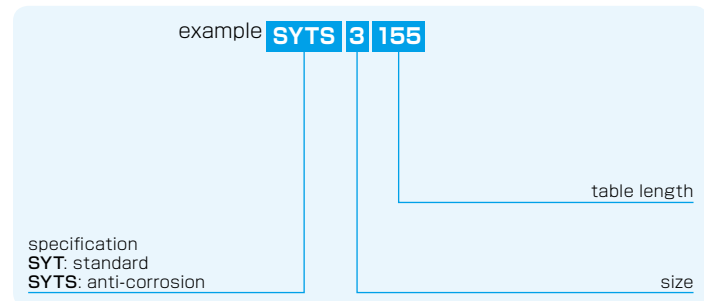


# SYT TYPE

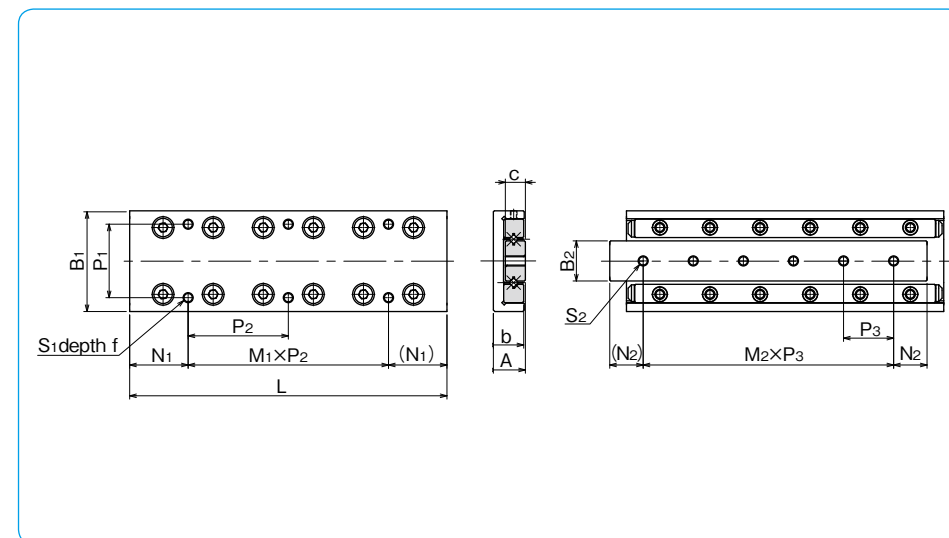
-SYT3-



## part number structure



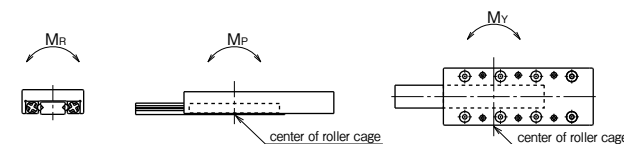
part number		stroke ST mm	major dimensions						table-top mounting hole dimensions		
standard	anti-corrosion		A mm	B <sub>1</sub> mm	L mm	b mm	B <sub>2</sub> mm	c mm	P <sub>1</sub> mm	S <sub>1</sub>	f mm
<b>SYT 3055</b>	<b>SYTS 3055</b>	30	16±0.1	40±0.1	55	15.5	16	8	30	M4	7
<b>3080</b>	<b>3080</b>	45			80						
<b>3105</b>	<b>3105</b>	60			105						
<b>3130</b>	<b>3130</b>	75			130						
<b>3155</b>	<b>3155</b>	90			155						
<b>3180</b>	<b>3180</b>	105			180						
<b>3205</b>	<b>3205</b>	130			205						



N <sub>1</sub> mm		M <sub>1</sub> ×P <sub>2</sub> mm		bed-surface mounting hole dimensions		accuracy ※(deviation)		basic load rating		allowable load	allowable static moment			mass	size
N <sub>1</sub>	M <sub>1</sub> ×P <sub>2</sub>	S <sub>2</sub>	N <sub>2</sub>	M <sub>2</sub> ×P <sub>3</sub>	T μm	S μm	dynamic C N	static Co N	F N	M <sub>P</sub> N·m	M <sub>Y</sub> N·m	M <sub>R</sub> N·m	g		
7.5	1×40	M4	10	1×35	2	5	3,490	3,890	1,290	19.4	22.2	33.8	225	<b>3055</b>	
7.5	1×65		15	2×25	2	5	5,230	6,490	2,160	53.0	58.0	56.4	340	<b>3080</b>	
27.5	1×50		15	3×25	3	5	6,030	7,790	2,590	103	95.7	67.7	440	<b>3105</b>	
27.5	1×75		15	4×25	3	5	7,560	10,300	3,450	170	160	90.3	560	<b>3130</b>	
27.5	2×50		15	5×25	3	5	9,000	12,900	4,320	210	220	112	655	<b>3155</b>	
52.5	1×75		15	6×25	3	5	10,300	15,500	5,180	302	314	135	770	<b>3180</b>	
27.5	2×75		15	7×25	3	5	11,000	16,800	5,610	355	367	146	880	<b>3205</b>	

※For accuracy (T, S), refer to Figure G-18 (page G-25).

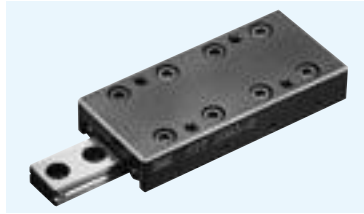
1N≐0.102kgf 1N·m≐0.102kgf·m



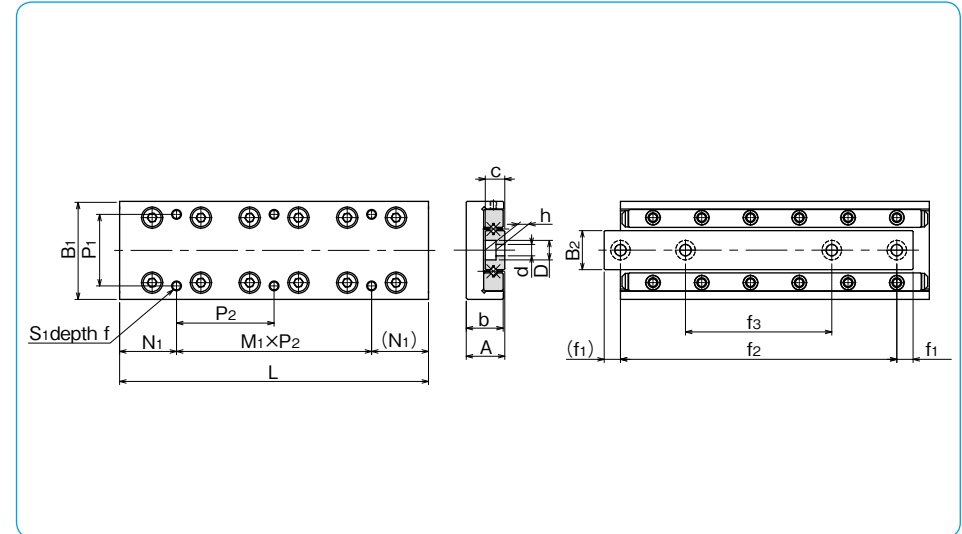
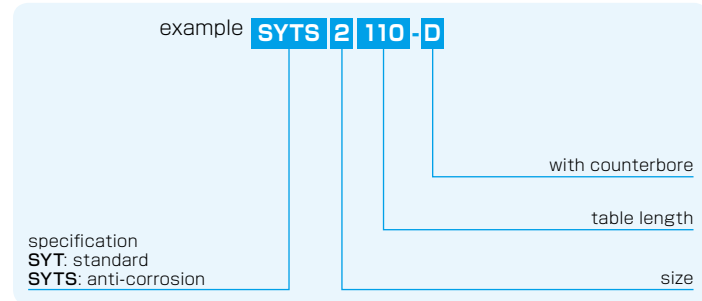


# SYT-D TYPE

-SYT1/SYT2-



## part number structure

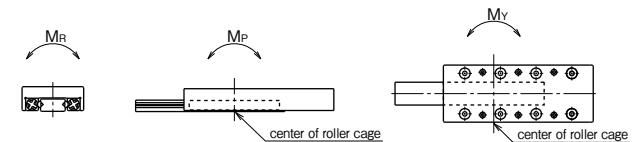


part number		stroke ST mm	major dimensions						table-top mounting hole dimensions			
standard	anti-corrosion		A mm	B <sub>1</sub> mm	L mm	b mm	B <sub>2</sub> mm	c mm	P <sub>1</sub> mm	S <sub>1</sub> mm	f mm	N <sub>1</sub> mm
<b>SYT1025-D</b>	<b>SYTS1025-D</b>	12	8±0.1	20±0.1	25	7.5	6.6	4	14	M2.6	3	3.5
<b>1035-D</b>	<b>1035-D</b>	18			35							3.5
<b>1045-D</b>	<b>1045-D</b>	25			45							12.5
<b>1055-D</b>	<b>1055-D</b>	32			55							12.5
<b>1065-D</b>	<b>1065-D</b>	40			65							12.5
<b>1075-D</b>	<b>1075-D</b>	45			75							22.5
<b>1085-D</b>	<b>1085-D</b>	50			85							12.5
<b>SYT2035-D</b>	<b>SYTS2035-D</b>	18			12±0.1							30±0.1
<b>2050-D</b>	<b>2050-D</b>	30	50	3.5								
<b>2065-D</b>	<b>2065-D</b>	40	65	17.5								
<b>2080-D</b>	<b>2080-D</b>	50	80	17.5								
<b>2095-D</b>	<b>2095-D</b>	60	95	17.5								
<b>2110-D</b>	<b>2110-D</b>	70	110	32.5								
<b>2125-D</b>	<b>2125-D</b>	80	125	17.5								

M <sub>1</sub> ×P <sub>2</sub> mm	bed-surface mounting hole dimensions			accuracy ※(deviation)		basic load rating		allowable	allowable static moment			mass g	size		
	d×D×h mm	f <sub>1</sub> mm	f <sub>2</sub> mm	f <sub>3</sub> mm	T μm	S μm	dynamic C N	static Co N	load F N	M <sub>P</sub> N·m	M <sub>Y</sub> N·m			M <sub>R</sub> N·m	
1×18	2.5×4.1×2.2	3.5	18	—	2	4	464	476	158	1.79	1.47	1.79	22	<b>1025</b>	
1×28		5	25	—	2	4	805	952	316	3.08	3.50	3.58	33	<b>1035</b>	
1×20		3.5	38	25	2	5	959	1,190	396	6.98	6.40	4.48	42	<b>1045</b>	
1×30		3.5	48	29	2	5	1,100	1,420	475	9.53	8.81	5.37	52	<b>1055</b>	
2×20		5	55	31	2	5	1,240	1,660	554	12.4	11.6	6.27	63	<b>1065</b>	
1×30		5	65	35	2	5	1,510	2,140	712	19.3	18.3	8.06	72	<b>1075</b>	
2×30		5	75	40	2	5	1,650	2,380	792	23.4	22.3	8.96	83	<b>1085</b>	
1×28		3.5×6×3.3	5	25	—	2	4	1,090	1,170	390	7.04	5.78	7.63	79	<b>2035</b>
1×43			7.5	35	—	2	4	1,510	1,750	585	12.1	10.7	11.4	113	<b>2050</b>
1×30			5	55	33	2	5	1,900	2,340	780	19.1	17.1	15.2	150	<b>2065</b>
1×45			5	70	40	2	5	2,620	3,510	1,170	27.4	29.6	22.8	185	<b>2080</b>
2×30			5	85	45	2	5	2,950	4,100	1,360	37.4	39.9	26.7	215	<b>2095</b>
1×45			7.5	95	50	2	5	3,280	4,680	1,560	61.7	58.1	30.5	255	<b>2110</b>
2×45			7.5	110	55	2	5	3,590	5,270	1,750	76.1	72.1	34.3	295	<b>2125</b>

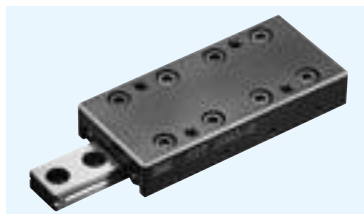
※For accuracy (T, S), refer to Figure G-18 (page G-25).

1N≒0.102kgf 1N·m≒0.102kgf·m

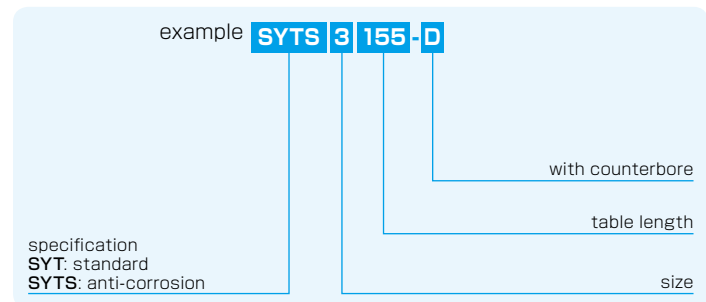


# SYT-D TYPE

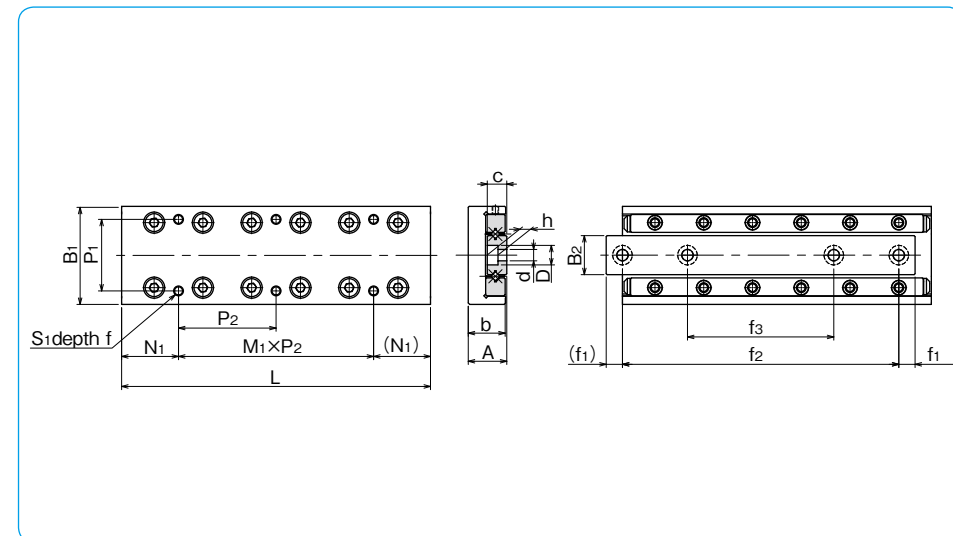
-SYT3-



## part number structure



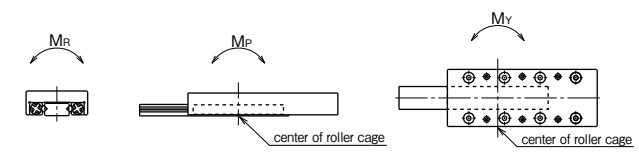
part number		stroke ST mm	major dimensions						table-top mounting hole dimensions			
standard	anti-corrosion		A mm	B <sub>1</sub> mm	L mm	b mm	B <sub>2</sub> mm	c mm	P <sub>1</sub> mm	S <sub>1</sub>	f mm	N <sub>1</sub> mm
<b>SYT3055-D</b>	<b>SYTS3055-D</b>	30	16±0.1	40±0.1	55	15.5	16	8	30	M4	7	7.5
<b>3080-D</b>	<b>3080-D</b>	45			80							7.5
<b>3105-D</b>	<b>3105-D</b>	60			105							27.5
<b>3130-D</b>	<b>3130-D</b>	75			130							27.5
<b>3155-D</b>	<b>3155-D</b>	90			155							27.5
<b>3180-D</b>	<b>3180-D</b>	105			180							52.5
<b>3205-D</b>	<b>3205-D</b>	130			205							27.5



M <sub>1</sub> ×P <sub>2</sub> mm	bed-surface mounting hole dimensions			accuracy ※(deviation)		basic load rating		allowable load F N	allowable static moment			mass g	size	
	d×D×h mm	f <sub>1</sub> mm	f <sub>2</sub> mm	f <sub>3</sub> mm	T μm	S μm	dynamic C N		static Co N	M <sub>P</sub> N·m	M <sub>Y</sub> N·m			M <sub>R</sub> N·m
1×40	4.5×7.5×4.3	7.5	40	—	2	5	3,490	3,890	1,290	19.4	22.2	33.8	225	<b>3055</b>
1×65		6	68	43	2	5	5,230	6,490	2,160	53.0	58.0	56.4	340	<b>3080</b>
1×50		7.5	90	55	3	5	6,030	7,780	2,590	103	95.7	67.7	440	<b>3105</b>
1×75		7.5	115	65	3	5	7,560	10,300	3,450	170	160	90.3	560	<b>3130</b>
2×50		7.5	140	95	3	5	9,000	12,900	4,320	210	220	112	655	<b>3155</b>
1×75		7.5	165	85	3	5	10,300	15,500	5,180	302	314	135	770	<b>3180</b>
2×75		7.5	190	90	3	5	11,000	16,800	5,610	355	367	146	880	<b>3205</b>

※For accuracy (T, S), refer to Figure G-18 (page G-25).

1N≐0.102kgf 1N·m≐0.102kgf·m



# MINIATURE SLIDE

The NB miniature slide SYBS type is a limited stroke table with the most compact envelope dimensions, featuring two ball raceway grooves. The SYBS type utilizes balls as the rolling elements. The ultra compact design contributes greatly to the creation of smaller and lighter industrial machinery and equipment of all types.

## STRUCTURE AND ADVANTAGES

The NB miniature slide incorporates a unique integrated ball cage between the table and bed. All components have been produced with high precision machining.

### Ultra Compact Design

The table height of the SYBS type is 3.2~8mm and the width is 6~17mm. This compact size when compared with conventional slide tables helps to realize the miniaturization of machinery and equipment.

### Low Friction · Low Noise

Since the rolling ball elements do not recirculate, the frictional resistance will not vary significantly resulting in smooth, high precision operation. Additionally, the

ball cage greatly reduces the contact noise of the rolling elements bringing about a low-noise operation.

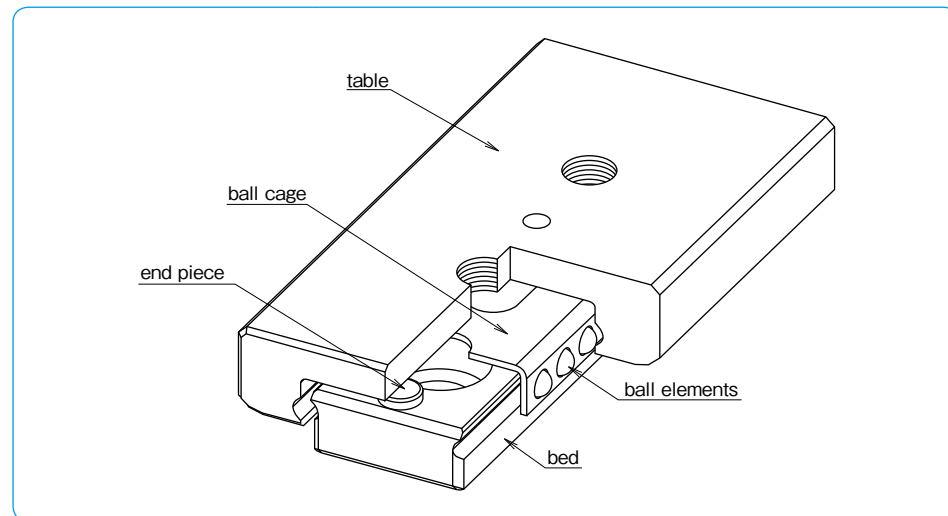
### High Accuracy

The ball raceway grooves of each of the bed and table are processed through simultaneous precision machining resulting in minimal processing errors, and bringing about extremely smooth, precision linear movement.

### Stainless Steel Structure

The SYBS type is made of all stainless steel components. This allows for use in corrosive or high temperature applications. The SYBS is a perfect component for vacuum or clean room environments.

Figure G-22 Structure of SYBS type



## ACCURACY

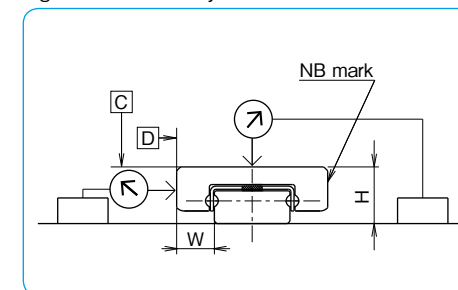
Table G-7 shows the accuracy of the SYBS miniature slide.

The deviation is measured as Figure G-23 illustrates. Dial indicators are placed to the center of the table's top and the reference surface side (opposite from the NB mark) and then the table is moved the full stroke without any load.

Table G-7 Accuracy unit: mm

item	tolerance
height H	±0.020
width W	±0.025
deviation from center of surface C	0.004
deviation from center of surface D	0.006

Figure G-23 Accuracy Measurement Method



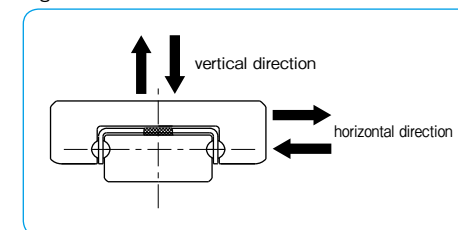
## LOAD RATING

The load rating of the miniature slide varies depending on the direction of the applied load.

Table G-8 Change of Load Rating Corresponding to Load Direction

basic dynamic load rating	vertical direction	1.00×C
	horizontal direction	1.13×C
basic static load rating	vertical direction	1.00×Co
	horizontal direction	1.19×Co

Figure G-24 Direction of Load



## RATED LIFE

The life of an NB miniature slide is calculated using the following equations:

Rated Life

$$L = \left( \frac{f_r \cdot C}{f_w \cdot P} \right)^3 \cdot 50$$

L: rated life (km)  $f_r$ : temperature coefficient  
 $f_w$ : applied load coefficient C: basic dynamic load rating (N)  
 P: applied load (N)  
 \* Refer to page Eng-5 for the coefficient.

Life Time

$$L_h = \frac{L \cdot 10^3}{2 \cdot l_s \cdot n_1 \cdot 60}$$

$L_h$ : life time (hr)  $l_s$ : stroke length (m)  
 $n_1$ : number of cycles per minute (cpm)

**MOUNTING**

**Mounting Surface Profile**

In most general installations, the miniature slide is mounted by pushing the reference surface of the bed and table against a shoulder that is set up on the mounting surface. Machined undercuts should be used in the corners of the shoulder (as illustrated in Figure G-25) so that the corners will not interfere with the reference surfaces of the bed and table. Table G-9 lists the recommended shoulder heights of the mounting reference surfaces.

When installing the miniature slide table without providing machined undercuts, the corner radius should be realigned as illustrated in Figure G-26. Table G-10 lists the values of the corner radius of the mounting surface.

Figure G-25 Mounting Surface Profile-1

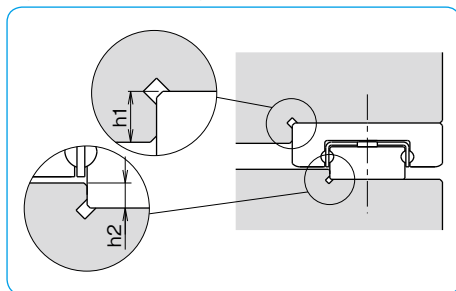


Table G-9 Shoulder Height on Mounting Reference Surface  
unit : mm

part number	shoulder height for table h1	shoulder height for bed h2
SYBS 6	1.0	0.5
SYBS 8	1.2	0.8
SYBS12	1.5	0.8
SYBS17	2.5	1

Figure G-26 Mounting Surface Profile-2

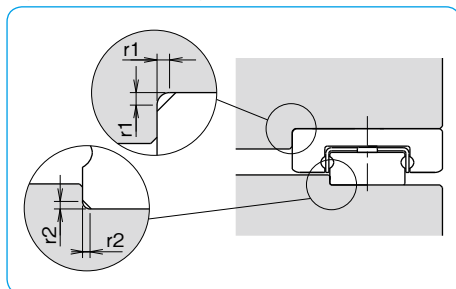
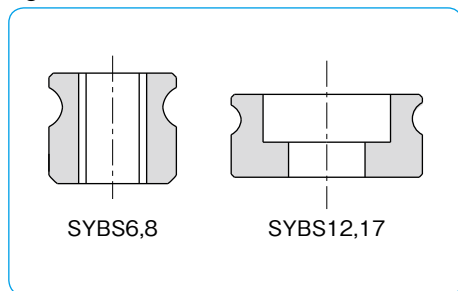


Table G-10 Maximum Corner Radius  
unit : mm

part number	mounting surface for	
	table	bed
SYBS 6	r1	r2
SYBS 8	0.1	0.05
SYBS 12	0.15	0.1
SYBS17	0.15	0.1
SYBS17	0.3	0.3

Figure G-27 Profile of SYBS Bed



**Recommended Torque Value**

The bed should be tightened with a consistent torque by using a torque wrench. Table G-11 lists the recommended torque.

Table G-11 Recommended Torque  
unit : N · m

size	torque
M1	0.03
M1.6	0.15
M2	0.3

(for stainless steel screw A2-70)

**Mounting Example and Mounting Screw**

All the mounting holes are for SYBS6,8,12 fully through-hole. Mount SYBS6,8,12 as illustrated in Figure G-28 after considering the size of mounting screw, the maximum penetration depth, and the height of the bed. Make certain that the mounting screws do not interfere with the ball cage; otherwise, the accuracy and travel life will be affected adversely. Special screws for SYBS type are available from NB. Please refer to Table G-12 for dimensions of mounting screws.

Figure G-28 Mounting Example

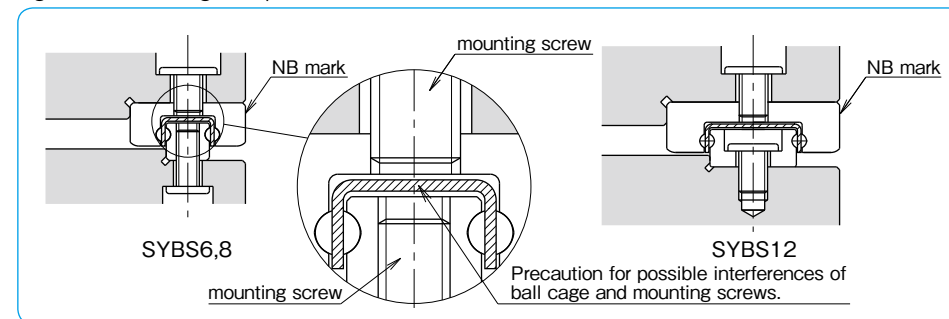
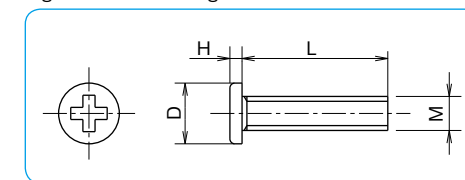


Table G-12 Mounting Screw (stainless steel)

M (size)	D mm	H mm	pitch mm	L mm
M1	1.8	0.45	0.25	5
M1.4	2.5	0.5	0.3	6
M1.6	2.3	0.5	0.35	4, 5, 6
M2	3	0.6	0.4	6

Figure G-29 Mounting Screw



**USE AND HANDLING PRECAUTIONS**

**Preload**

The SYBS miniature slide is provided with a slightly positive clearance type only.

**End Piece**

On both ends of the SYBS miniature slide bed section, screws are attached to prevent the ball cage from escaping. Please note that the screws are designed only to prevent the ball cage from escaping and are not intended for the use as a mechanical stopper. The ball cage may become deformed on contact with the stopper and this will result in a negative affect of the accuracy and travel life.

**Lubrication**

NB miniature slide SYBS type is supplied with an initial application of lithium soap grease No.00 and therefore is ready for immediate use. Make sure to relubricate with a similar type of grease periodically according to the operating conditions. For use in clean rooms or vacuum environments, miniature slide tables without grease or with customer specified grease are available. NB also provides low

dust generation grease. Please refer to page Eng-39 for details.

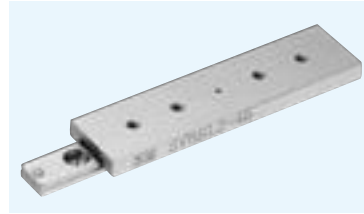
**Cage Slippage**

For the SYBS type, the cage can slip under high-speed motion, vertical application, unbalanced-loading, and vibrating conditions. It is advised that the motion speed be kept under 0.5m/s under general operating conditions. It is also recommended that the table be cycled to perform the maximum stroke several times, so that the cage returns to its central position.

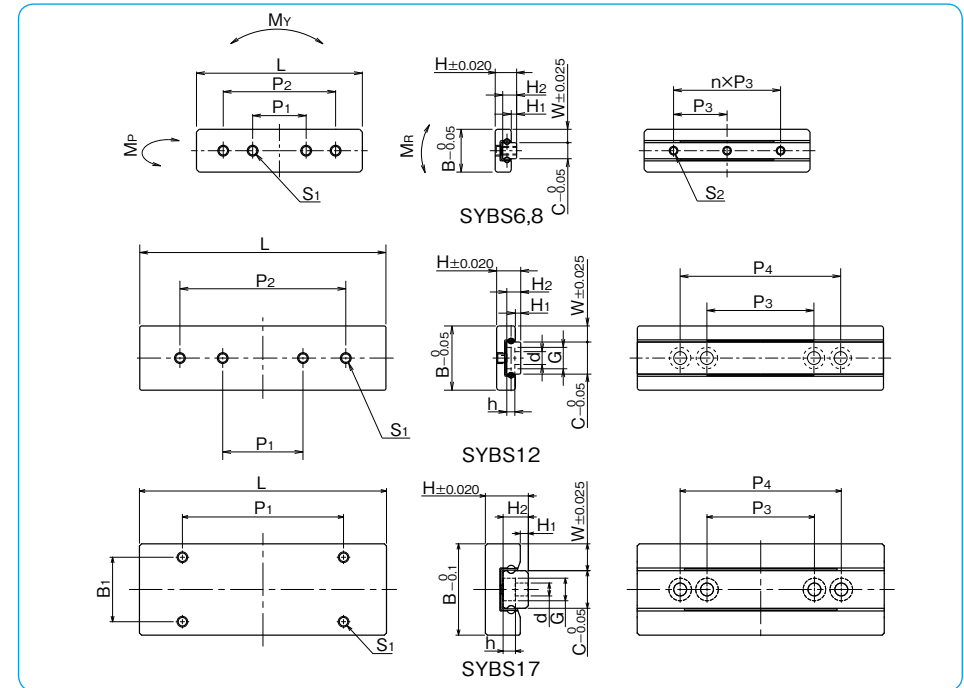
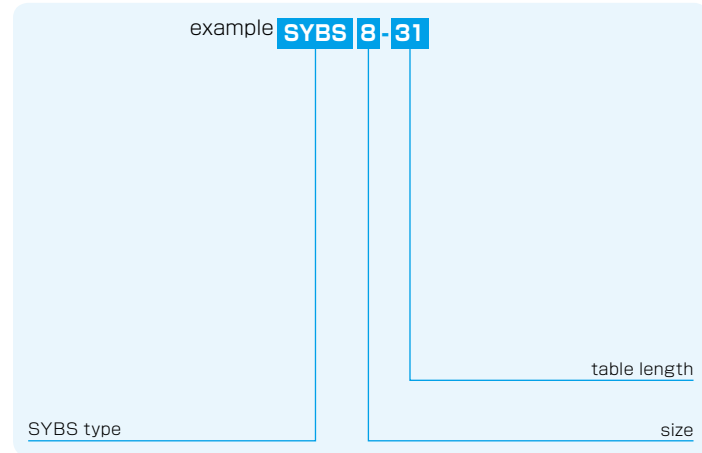
**Allowable Load**

The allowable load is a load under which the sum of elastic deformation of the rolling element and the raceway in the contact area subject to the maximum contact stress is small enough to guarantee smooth rolling movement. When very smooth and highly accurate liner motion is required, make sure to use the product within the allowable load values.

# SYBS TYPE



## part number structure



part number	major dimensions				tabel-top dimensions						S <sub>1</sub> maximum screw penetration depth mm
	H mm	W mm	H <sub>1</sub> mm	stroke mm	B mm	L mm	P <sub>1</sub> mm	P <sub>2</sub> mm	B <sub>1</sub> mm		
<b>SYBS 6-13</b>	3.2	2	0.7	5	6	13	6.0	—	—	M1.4	0.5
<b>SYBS 6-21</b>				12		21	10.0	—	—		
<b>SYBS 8-11</b>	4	2.5	1	4	8	11	5.5	—	—	0.7	
<b>SYBS 8-21</b>				12		21	10.0	—	—		
<b>SYBS 8-31</b>				18		31	10.0	21	—		
<b>SYBS12-23</b>	4.5	3	1	12	12	23	8.0	—	—	M2	1.2
<b>SYBS12-31</b>				18		31	15.0	—	—		
<b>SYBS12-46</b>				28		46	15.0	31	—		
<b>SYBS17-23</b>	8	5	1.5	14	17	23	10.0	—	—	12	3
<b>SYBS17-31</b>				19		31	20.0	—	—		
<b>SYBS17-46</b>				29		46	30.0	—	—		

※1: Custom mounting screws are provided with the SYBS-12 type only. Other screw sizes are also available. (Please refer to page G-53)

H <sub>2</sub> mm	C mm	bed-surface dimensions				basic load rating		allowable load F N	allowable static moment			mass g	size	
		d×G×h mm	S <sub>2</sub>	P <sub>3</sub> mm	n mm	P <sub>4</sub> mm	dynamic C N		static C <sub>0</sub> N	M <sub>P</sub> N·m	M <sub>Y</sub> N·m			M <sub>R</sub> N·m
2.0	2	—	M1	7	1	—	154	180	60.1	0.21	0.25	0.21	1.4	<b>6-13</b>
				7	2	—	229	315	105	0.57	0.69	0.37	2.2	<b>6-21</b>
2.6	3	—	M1.6	5	1	—	201	211	70.4	0.23	0.28	0.35	2.0	<b>8-11</b>
				10	1	—	368	493	164	1.02	1.22	0.83	3.7	<b>8-21</b>
2.6	6	※1 2.4×4×1.5	—	15	—	—	404	563	187	1.30	1.55	1.80	7.6	<b>12-23</b>
				15	—	—	473	704	234	1.97	2.35	2.25	10.2	<b>12-31</b>
				20	—	30	658	1,120	375	4.80	5.72	3.60	15.2	<b>12-46</b>
				15	—	—	775	888	296	2.09	2.49	3.33	19.2	<b>17-23</b>
4.7	7	2.4×4.2×2.3	—	15	—	—	984	1,240	414	3.80	4.53	4.66	26.2	<b>17-31</b>
				20	—	30	1,350	1,950	651	8.75	10.4	7.32	38.4	<b>17-46</b>

1N≒0.102kgf 1N·m≒0.102kgf·m

# GONIO WAY

The NB gonio way is a curved cross roller slide way. It is a curved motion bearing utilizing low-friction, non-recirculating precision rollers. It is used when there is a need to change the gradient or obtain an accurate gradient angle without changing the center of rotation in high-precision optical and measurement equipment.

## STRUCTURE AND ADVANTAGES

The NB gonio way RVF type consists of curved tracking bases with precisely ground V-grooves and flat installation surfaces, as well as curved roller cages. The NB gonio way RV type consists of curved rails with precisely machined V-grooves and curved roller cages. Precision rollers are employed as the rolling elements, since the rolling elements do not recirculate, the frictional resistance will not vary significantly, providing curved movement with extremely low frictional resistance.

### Low Frictional Resistance and Minute Motion

The precision grinding and curved roller cage allow for extremely low frictional resistance. The negligible difference between static and dynamic frictions allows the gonio way to follow minute movements accurately, realizing curved movement of high accuracy.

### Low Noise

Since NB gonio way employs a non-recirculating design, there is no noise from the circulating area. In addition, the curved roller cage realizes quiet operation without contact noise between the rolling elements.

### High Rigidity and High Load Capacity

The rollers provide a larger contact area and less

elastic deformation compared to the ball elements. Additionally, since the rollers do not recirculate, the effective number of rotating elements is larger, resulting in high rigidity and high load capacity.

### Flat Installation Surface

The flat installation surfaces of the RVF type do not require complicated machining of tables and beds when installing the product. As a result, machining costs can be reduced greatly.

### Same Rotation Center

The curved V-grooves, which are finished with a precise grinding process, provide an accurate center of rotation. Furthermore, the products are composed to provide identical rotation centers when products of each size are installed to two axes. (refer to Table G-17.)

Figure G-30 Structure of Gonio Way RVF type

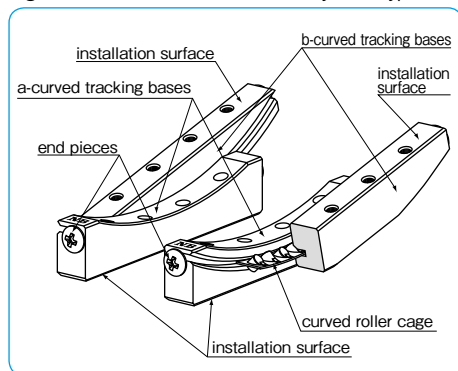
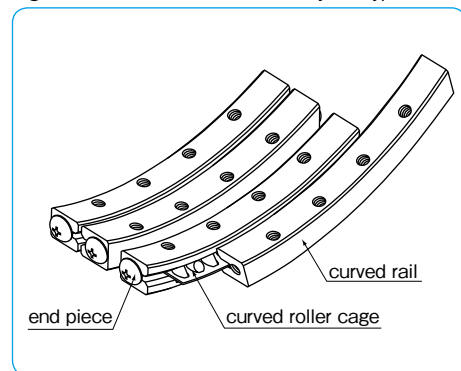


Figure G-31 Structure of Gonio Way RV type



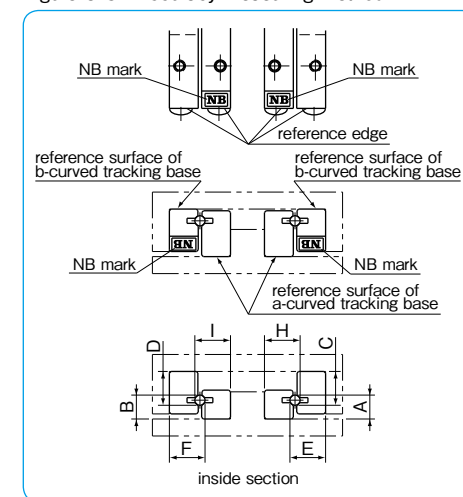
## ACCURACY OF RVF TYPE

The accuracies of the gonio way RVF type are represented by mutual dimensional errors of four rails, which are measured along the overall length using the procedure as shown in Figure G-32.

Table G-13 Accuracy unit: μm

part number	mutual error between A and B mutual error between C and D	mutual error between E and F mutual error between H and I
RVF2050- 70	10	10
RVF2050- 87		
RVF2050-103		
RVF2050-120		
RVF3070- 85		
RVF3070-110		
RVF3100-125		
RVF3100-160		

Figure G-32 Accuracy Measuring Method



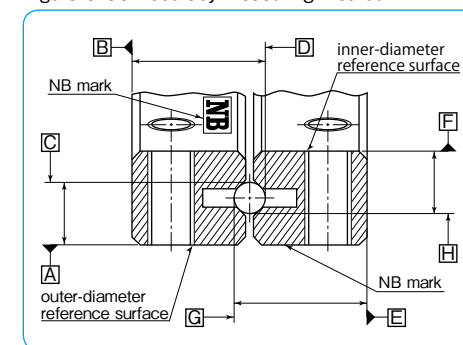
## ACCURACY OF RV TYPE

The accuracies of the gonio way RV type are represented by mutual dimensional errors of four rails, which are measured along the overall length using the procedure as shown in Figure G-33.

Table G-14 Accuracy unit: μm

part number	accuracy
RV2040- 50	10
RV2060- 60	
RV3070- 90	
RV3070-110	
RV3100-160	

Figure G-33 Accuracy Measuring Method



The reference surfaces are located on the opposite side of the NB mark. There are inner reference surface and outer reference surface in one set of RV.

## RATED LIFE

The life of a gonio way is obtained using the following equations.

Rated Life

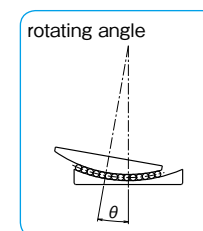
$$L = \frac{90}{\theta} \times \left( \frac{f_r}{f_w} \times \frac{C}{P} \right)^{\frac{10}{3}}$$

L: travel life (10°cycles) θ: rotating angle (degree)  
 C: basic dynamic load rating (N) P: applied load (N)  
 f<sub>r</sub>: temperature coefficient f<sub>w</sub>: applied load coefficient  
 ※Refer to page Eng-5 for the coefficients.

Life Time

$$L_h = \frac{L \times 10^6}{60 \times n}$$

L<sub>h</sub>: life time (hr)  
 n: number of cycles per minute (cpm)



**MOUNTING OF RVF TYPE**

**Accuracy of Mounting Surface**

To maximize the performance of NB gonio way, it is important to finish the installation surface with high accuracies.

- Parallelism of surface 1 against surface A
- Perpendicularity of surface 2 against surface A
- Perpendicularity of surface 5 against surface A
- Parallelism of surface 3 against surface B
- Perpendicularity of surface 4 against surface B
- Perpendicularity of surface 6 against surface B
- Parallelism of surface 2 against surface C
- Parallelism of surface 4 against surface C

Figure G-34 Accuracy of Mounting Surface

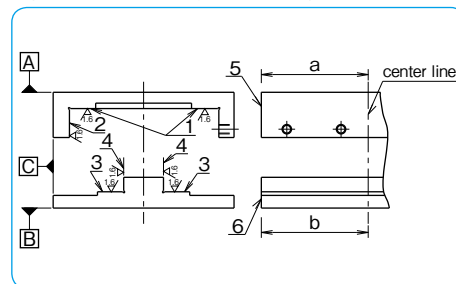
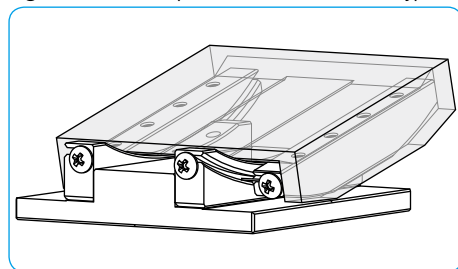


Figure G-35 Example of Installation of RVF type

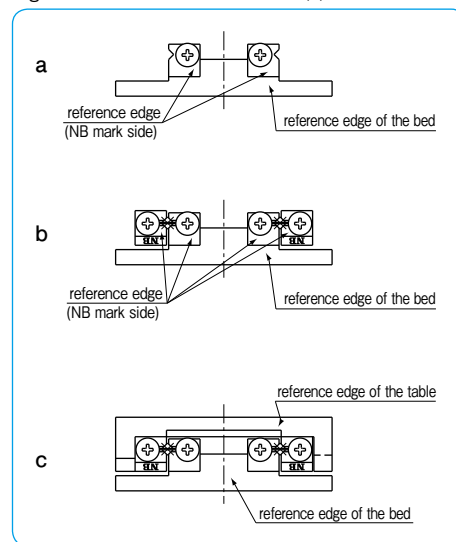


**Installation Procedure**

**Setting the curved tracking bases temporarily**

- (1) Remove burrs, stains, and dust from the installation surfaces of the curved tracking bases of tables and beds. Foreign particles must be kept out of the assembly work as well.
- (2) Apply low viscosity oil to contact surfaces, check the reference edges of an a-curved tracking base and bed, and then tighten the screws temporarily. (Figure G-36a)
- (3) Align the reference edges (NB mark side) of a b-curved tracking base and an a-curved tracking base to the same orientation. Then, insert the curved roller cages between the curved tracking bases at the center area. Make sure that the curved roller cages will not interfere with the curved raceway grooves of the curved roller tracking bases. (Figure G-36b)
- (4) Check the reference edge of the table, set the table over the b-curved tracking base, and then secure the table temporarily. (Figure G-36c)

Figure G-36 Installation Method (1)



**Setting four curved tracking bases in parallel position**

- (5) Move the table to the maximum stroke ends of both sides and adjust the setting so that the curved roller cage is positioned at the center of the curved tracking base.
- (6) Move the table to the center position and tighten the adjustment screws with ※slightly strong torque by using a torque wrench. (Figure G-37d)  
 ※"Slightly strong torque" here means slightly stronger than the torque at which the oscillation of the dial indicator is stabilized at the minimum value when the table is moved right and left, or when pressure is applied to the rolling direction while the dial indicator is attached to the side face (reference side) of the table. (Figure G-37i)
- (7) Move the table to the maximum stroke end of one side and tighten the adjustment screws on the curved roller cage with the same torque as in step (6). (Figure G-37e)
- (8) Move the table to the maximum stroke end of the other side and tighten the adjustment screws with a torque wrench by repeating the procedure above. (Figure G-37f)

**Securing the curved tracking bases**

- (9) Mount an edge reference plate between the reference edge of the a-curved tracking base and end piece, press it against the reference edge of the bed, and then tighten only the mounting screws in the middle. (Figure G-37g)
- (10) Repeat the procedure above to mount an edge reference plate between the reference edge of the b-curved tracking base and the end piece. Press it against the reference edge of the bed, and then tighten only the mounting screws in the middle. (Figure G-37h) In order to maintain parallelism of curved tracking bases, do not cycle the table during this process and make sure that there is no clearance between the edge of the table and the edge reference plate.
- (11) Secure the rest of the mounting screws on the curved roller cage one by one by moving the table as instructed in steps (7) and (8).

**Adjusting the preload**

- (12) Move the table to the right and left with the test indicator attached to the side face of the table (reference side). Or, apply pressure in the rolling direction and confirm that the oscillation of the indicator is stabilized at the minimum level. (Figure G-37i)
- (13) Return the mounting screws on the b-curved tracking base at the adjustment screw side to the temporary setting.
- (14) Return the table to the center position, slightly loosen the adjustment screws in the middle, and then gradually loosen the adjustment screws on the curved roller cage while moving the table as instructed in steps (7) and (8). Make sure not to reduce the preload too much.
- (15) Finally, secure the b-curved tracking base at the adjustment screw side, which has been installed temporarily. Secure the mounting screws on the curved roller cage one by one by moving the table as instructed above.

Figure G-37 Installation Method (2)

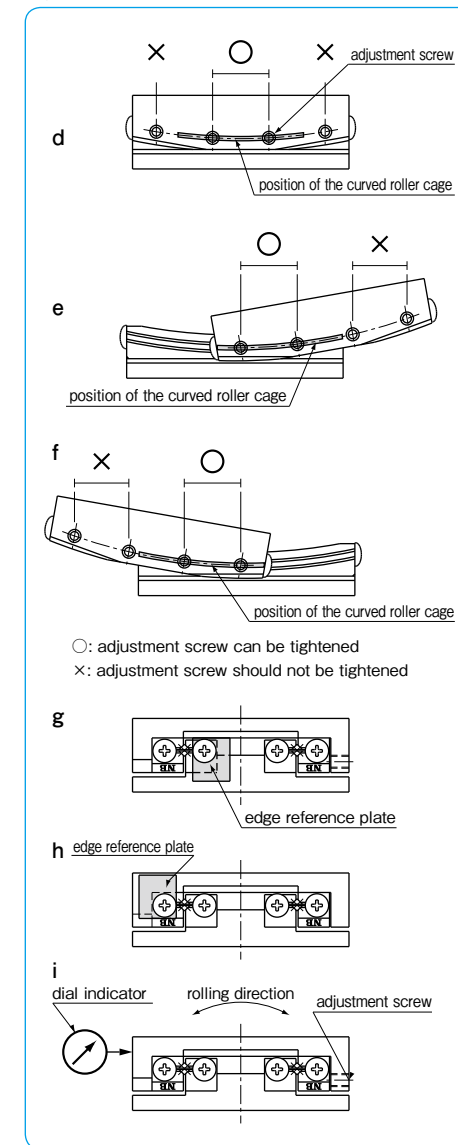


Table G-15 Recommended Torque for Mounting Screw

size	tightening torque
M2.5	0.5
M3	1.1

(for stainless steel screw A2-70)

## MOUNTING OF RV TYPE

### Accuracy of Mounting Surface

The accuracy of surfaces 1, 2, 3, and 4 (Figure G-38) directly affect the motion accuracy. To maximize the performance of NB gonio way, it is important to finish the installation surface with high accuracies.

Figure G-38 Accuracy of Mounting Surface

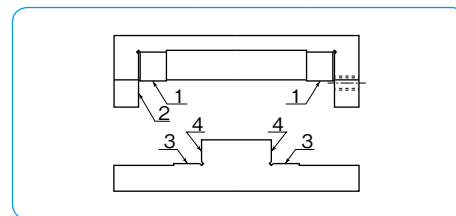
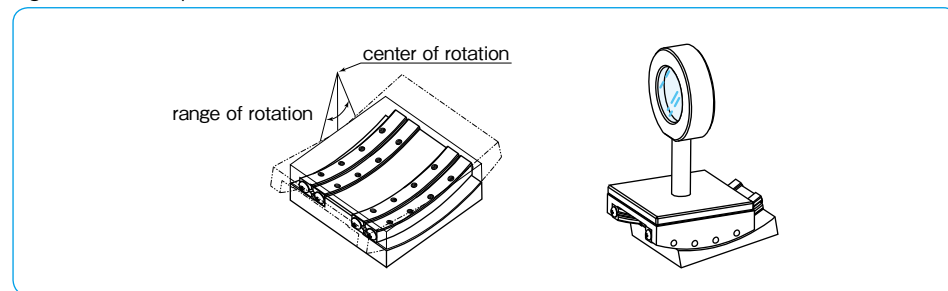


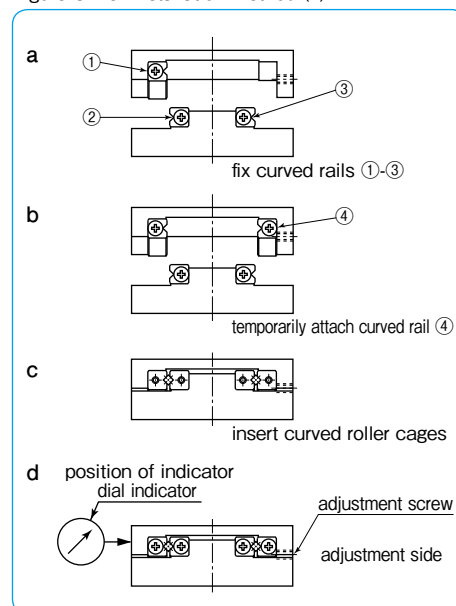
Figure G-39 Example of Installation



### Installation Procedure

- (1) Remove burrs, dirt, dust, etc. from the table and the installation surfaces of the bed.
- (2) Apply a low viscosity oil to contact surfaces. Fix the rail ①inner-diameter reference surface, ②outer-diameter reference surface and ③outer-diameter reference surface by tightening screws to the specified torque. (Table G-16, Figure G-40a)
- (3) Temporarily attach the rail ④inner-diameter reference surface on curved rail to the adjustment side. (Figure G-40b)
- (4) Remove the end pieces on one side of the rails and insert roller cages to the center. (Figure G-40c)
- (5) Re-attach end pieces.
- (6) Move the table to the right and left (in the direction of the stroke) to position roller cages at the center of the curved rails.
- (7) Set an indicator at the side of the table on the reference surface. (Figure G-40d)
- (8) Move the table to one of the stroke ends and tighten the adjustment screws slightly. (Figure G-41e)

Figure G-40 Installation Method (1)



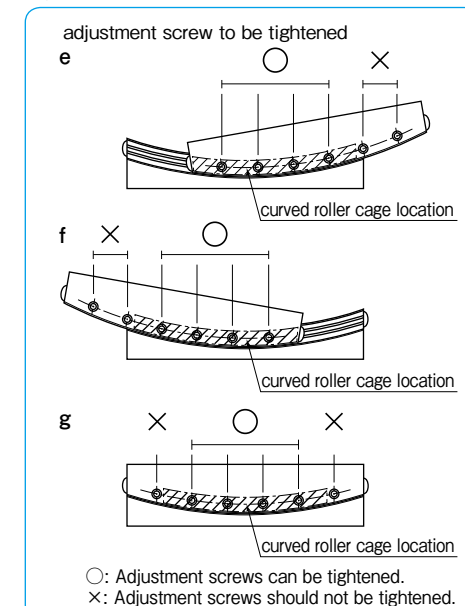
- (9) Move the table fully to the other stroke end and tighten the adjustment screws slightly. (Figure G-41f)
- (10) Move the table to the center and lightly tighten adjustment screws. (Figure G-41g)
- (11) Repeat steps (8)~(10) until there is no clearance around the table. If there is no clearance, the indicator will show a minimum fluctuation value when the table is moved to the right and left. Exercise care so as not to apply an excessive preload.
- (12) Repeat steps (8)~(10) and tighten the adjustment screws uniformly by using a torque wrench.
- (13) Fix the rail ④inner-diameter reference surface. Tighten the mounting screws sequentially by moving the table in the same manner as with the adjustment screws.

Table G-16 Recommended Torque for Mounting Screw unit: N · m

size	torque
M3	1

(for stainless steel screw A2-70)

Figure G-41 Installation Method (2)





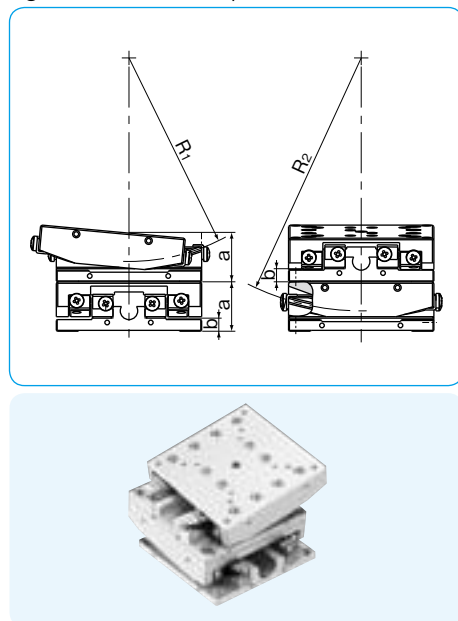
**RVF TYPE 2 AXES AND SPECIAL SPECIFICATIONS**

When incorporating RVF type units onto two axes as illustrated in Figure G-42, adjust the height of one lifting axis as instructed in Table G-17. Then, adjust dimension b (the height of the installation surface of the a-curved tracking base) in Figure G-42 according to the table in order to obtain the identical rotation center for the two axes. In addition, requests can be made for custom specifications including table units fitted for two axes, non-standard lengths for curved tracking bases, the radius of rotation, the rotation range, and the number of rollers. Contact NB for further information.

Table G-17 Two Axes Specification unit:mm

part number combination	a	R <sub>1</sub>	R <sub>2</sub>
RVF2050- 70	17	70	87
RVF2050- 87			
RVF2050-103	17	103	120
RVF2050-120			
RVF3070- 85	25	85	110
RVF3070-110			
RVF3100-125	35	125	160
RVF3100-160			

Figure G-42 Two Axes Specification



**USE AND HANDLING PRECAUTIONS**

**Lubrication**

NB gonio ways are lubricated using lithium soap No.00 based grease prior to shipment, so they can be used immediately. Make sure to relubricate with a similar type of grease periodically according to the operating conditions. NB also provides low dust generation grease for the linear system. Please refer to page Eng-39 for further details.

**Dust Prevention**

If a foreign matter, such as dust and dirt, enters the inside of the NB gonio way, it will deteriorate the accuracy and life of the system. A gonio way used in a harsh environment should be protected with a cover.

**Operating Environment**

The recommended operating temperature range of the NB gonio way is -20°C to 110°C.

**Adjustment**

Inaccuracy in mounting surface or improper adjustment of preload will reduce the motion accuracy, resulting in skewing and shortening of gonio way life. The adjustment should be carried out carefully.

**Cage Slippage**

For the NB Gonio Way, the cage can slip under high-speed motion, vertical application, unbalanced-loading, and vibrating conditions. It is recommended that the rotation range be set with sufficient margin and an excessive preload should be avoided. It is also recommended that the rails be cycled to perform the maximum stroke several times, so that the cage returns to its central position.

**End Pieces**

End pieces are attached to each end of the NB gonio way to prevent removal of the curved roller cage. Do not use as a mechanical stopper.

**Careful Handling**

Dropping the NB gonio way causes the rolling elements to make dents in the raceway surface. This will prevent smooth motion and will also affect accuracy. Be sure to handle the product with care.

**Use as a Set**

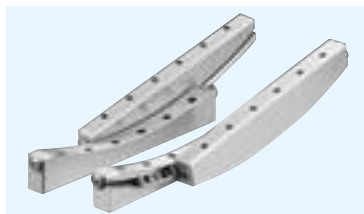
The accuracy of the rails has been matched within each set. Note that the accuracy will be affected when the rails of different sets are combined.

**Allowable Load**

The allowable load is a load under which the sum of elastic deformation of the rolling element and the raceway in the contact area subject to the maximum contact stress is small enough to guarantee smooth rolling movement. When very smooth and highly accurate motion is required, make sure to use the product within the allowable load.

# RVF TYPE

— Gonio Way flat-installation-surface —



## part number structure

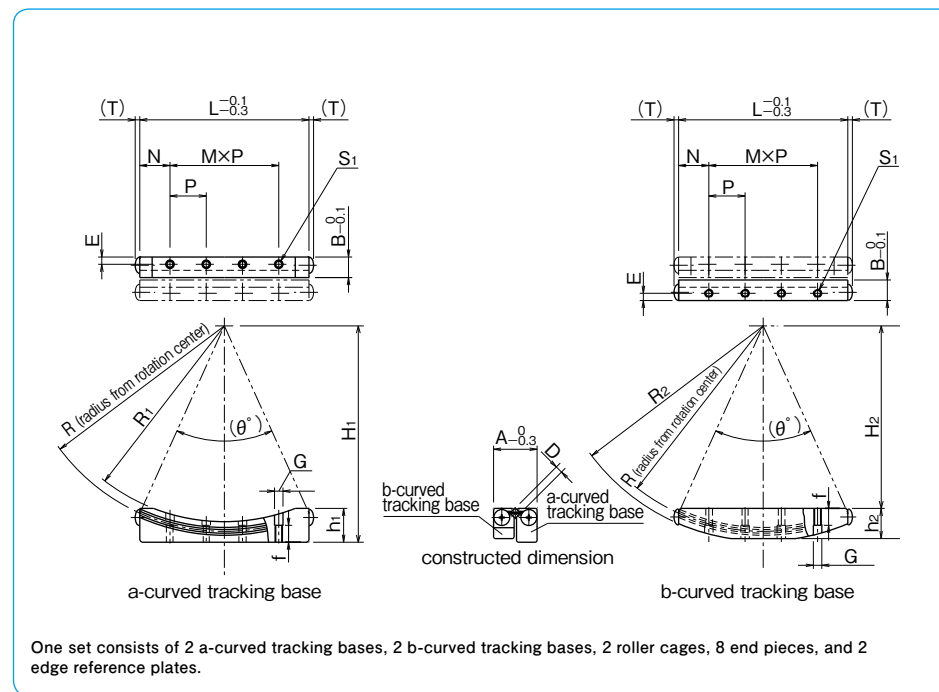
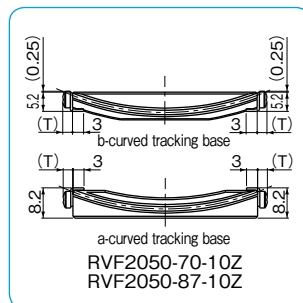
example **RVF 3 100-125-16Z**

RVF type

size

rail length

radius from rotation center



part number	rotation range	roller diameter D mm	number of rollers Z	major dimensions									
				L mm	R mm	R <sub>1</sub> mm	R <sub>2</sub> mm	H <sub>1</sub> mm	H <sub>2</sub> mm	h <sub>1</sub> mm	h <sub>2</sub> mm	A mm	B mm
RVF2050- 70-10Z	± 5°	2	10	50	70	67	73	72.5	64.5	7.5	7.5	15	7.25
RVF2050- 87-10Z			10		87	84	89.5	89.5	81.5	7.5	7.5		
RVF2050-103-10Z			10		103	100	106	105.5	97.5	7.5	8		
RVF2050-120- 9Z			9		120	117	123	122.5	114.5	7.5	8		
RVF3070- 85-10Z	± 10°	3	10	70	85	81	89	89.5	75.5	14	12.5	18	8.5
RVF3070-110-10Z			10		110	106	114	114.5	100.5	12.8	12.5		
RVF3100-125-16Z			16		125	121	129	129.5	110.5	17.5	18		
RVF3100-160-14Z			14		160	156	164	164.5	145.5	15	18		

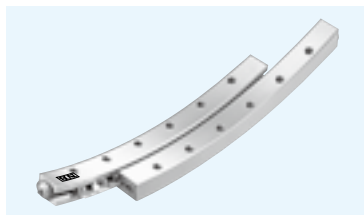
※ Please refer to page G-68 for information on cage dimensions.

M×P mm	N mm	E mm	S <sub>1</sub>	f mm	G mm	T mm	θ°	basic load rating		allowable load F N	mass (one set) g	part number
								dynamic C N	static Co N			
3×12.5	6.25	2.5	M2.5	4	3	2.7	41.8°	1,180	2,400	800	66	RVF2050- 70-10Z
							33.4°	1,060	2,430	810	70	RVF2050- 87-10Z
3×13	5.5	2.5	M2.5	4	3	1.5	28.1°	998	2,440	815	70	RVF2050-103-10Z
							24.0°	751	1,970	657	70	RVF2050-120- 9Z
3×15	12.5	3	M3	7	3.5	1.9	48.6°	2,680	5,530	1,840	182	RVF3070- 85-10Z
							37.1°	2,440	5,620	1,870	182	RVF3070-110-10Z
5×15	12.5	3	M3	7	3.5	1.9	47.2°	3,520	8,850	2,950	327	RVF3100-125-16Z
							36.4°	2,860	7,890	2,630	323	RVF3100-160-14Z

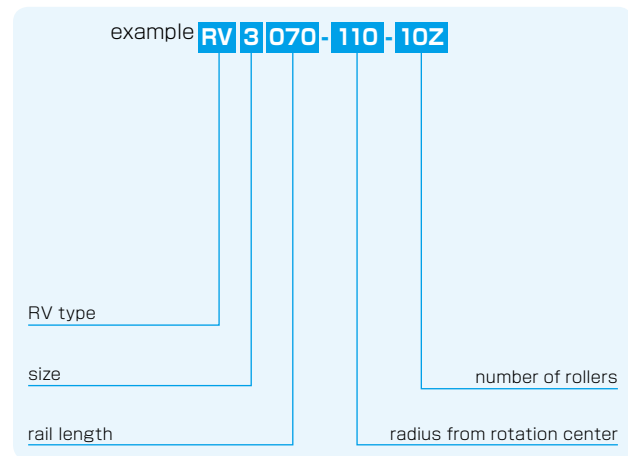
1N≒0.102kgf

# RV TYPE

— Gonio Way —

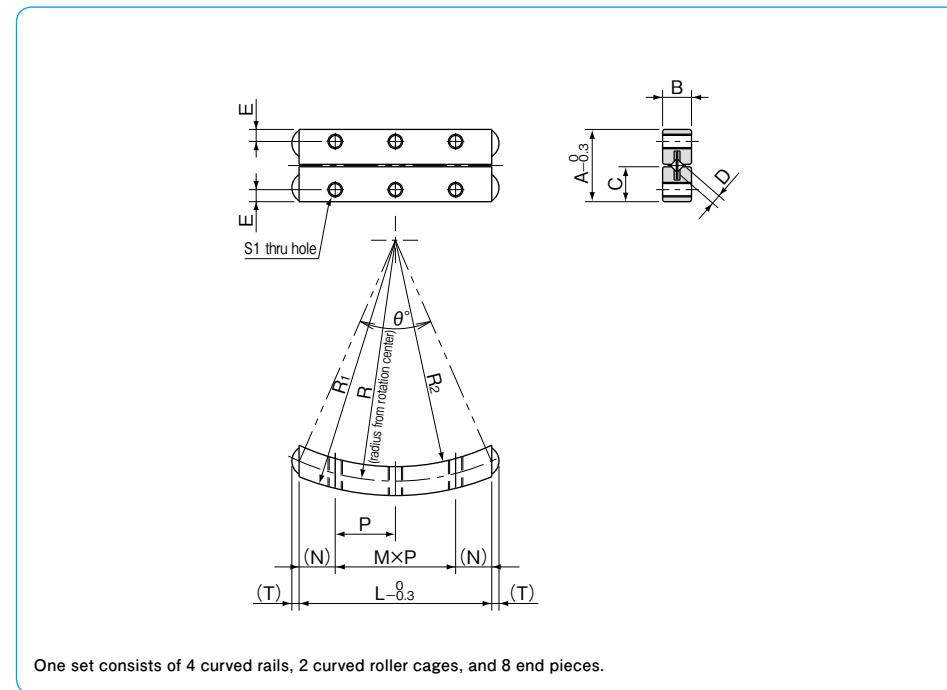


## part number structure



part number	rotation range	roller diameter D mm	number of rollers Z	major dimensions						
				L mm	R mm	R <sub>1</sub> mm	R <sub>2</sub> mm	A mm	B mm	C mm
RV2040- 50- 7Z	±10°	2	7	40	50	53	47	15	6	7.25
RV2060- 60-12Z			12	60	60	63	57			
RV3070- 90-11Z	±10°	3	11	70	90	94	86	18	8	8.5
RV3070-110-10Z			10	70	110	114	106			
RV3100-160-14Z			14	100	160	164	156			

※ Please refer to page G-68 for information on cage dimensions.

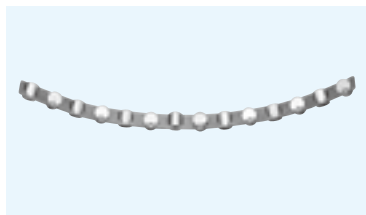


M×P mm	N mm	E mm	S <sub>1</sub>	T mm	θ°	basic load rating		allowable load F N	mass (one set) g	part number
						dynamic C N	static Co N			
2×12.5	7.5	2.5	M3	1.5	47.2°	820	1,440	482	49	RV2040- 50- 7Z
3×12.5	11.25				60.0°	1,490	2,800	936	75	RV2060- 60-12Z
3×15	12.5	3	M3	1.9	45.8°	2,640	5,550	1,850	137	RV3070- 90-11Z
3×15					37.1°	2,440	5,620	1,870	135	RV3070-110-10Z
5×15					36.4°	2,860	7,890	2,630	193	RV3100-160-14Z

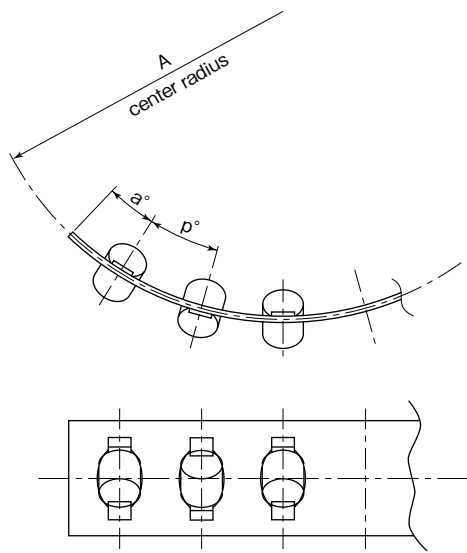
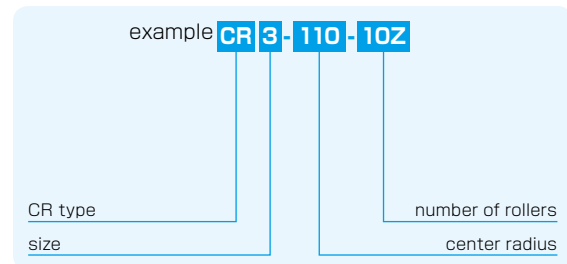
1N≒0.102kgf

# CR TYPE

— Standard Curved Roller Cage —



## part number structure



part number	roller diameter D mm	center radius A mm	t mm	w mm	p°	a°	applicable type
CR2- 50- 7Z	2	50	0.3	5.6	4.6°	2.9°	RV
CR2- 60-12Z		60			3.8°	2.4°	RV
CR2- 70-10Z		70			3.3°	2.0°	RVF
CR2- 87-10Z		87			2.6°	1.6°	RVF
CR2-103-10Z		103			2.2°	1.4°	RVF
CR2-120- 9Z		120			1.9°	1.2°	RVF
CR3- 85-10Z	3	85	0.4	7.2	3.4°	2.0°	RVF
CR3- 90-11Z		90			3.2°	1.9°	RV
CR3-110-10Z		110			2.6°	1.5°	RVF,RV
CR3-125-16Z		125			2.3°	1.3°	RVF
CR3-160-14Z		160			1.8°	1.0°	RVF,RV

# ACTUATOR

## ACTUATOR

- ADVANTAGES ..... H-3
- PART NUMBER STRUCTURE .. H-4
- SPECIFICATIONS ..... H-6
- ALLOWABLE SPEED AND STROKE LIMIT H-7
- ACCURACY ..... H-8
- RATED LIFE ..... H-10
- DIMENSION TABLE ..... H-14~29
- MOTOR BRACKET CONFIGURATIONS & APPLICABLE MOTORS H-30
- EXPOSED BRACKET RO ..... H-43
- RETURN PULLEY UNIT ..... H-46
- LOW HOUSING ..... H-48
- BELLOWS ..... H-50
- SENSOR ..... H-59
- PNP SENSOR ..... H-70
- SENSOR SPECIFICATIONS .... H-71
- POSITIONING PIN HOLE ..... H-74
- LUBRICATION ..... H-79
- OPERATING TEMPERATURE .. H-79
- USE AND HANDLING PRECAUTIONS H-79

# ACTUATOR

NB's BG type is a compact single axis actuator which integrates a slide guide and precision ball screw. BG type offers compact dimensions and outperforms conventional positioning tables.

This is made possible by a unique "U" shaped guide rail and slide block which provides multiple functions of a guide block and a ball screw nut combined into a single unit. The "U" shaped guide rail offers high rigidity against bending moment. This structural feature allows for integrated framework of machinery or equipment and can be cantilevered. Additionally, the slide block contains 4 ball circuits which delivers high load capacity, high accuracy and high rigidity.

Figure H-1 Structure of BG type

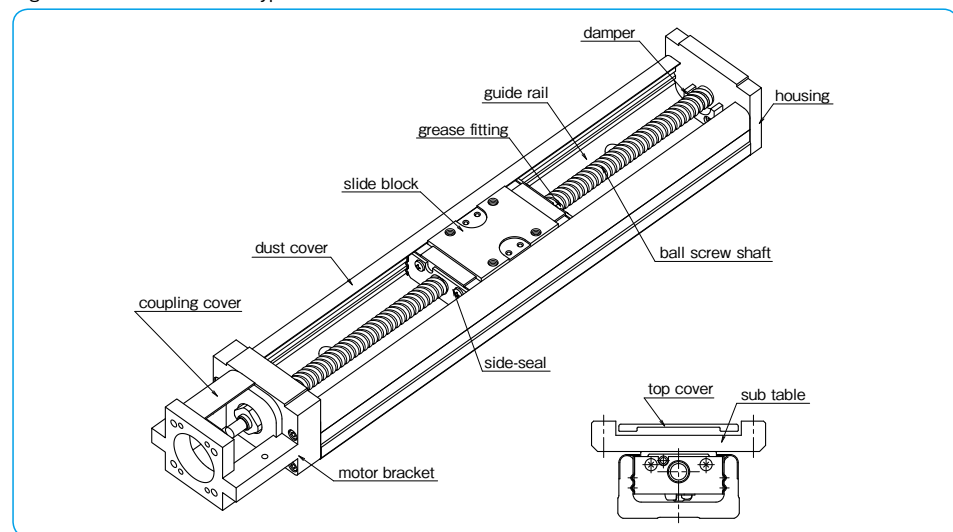
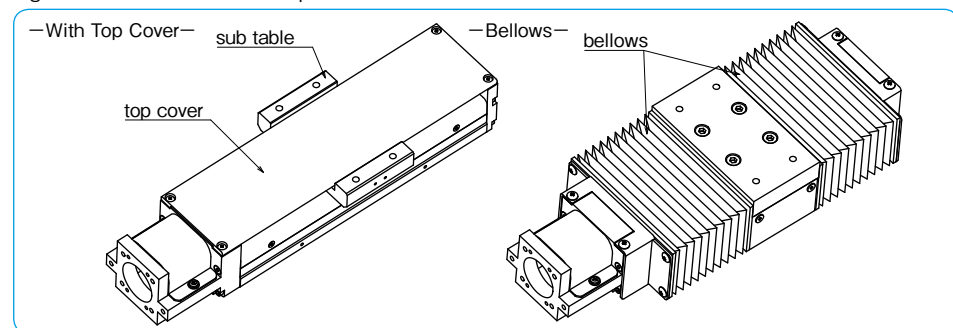


Figure H-2 Structure of With Top Cover and Bellows



H-2

## ADVANTAGES

### Adjustment Free

The integration of the slide guide and precision ball screw eliminates complex precision adjustment and reduces installation time dramatically.

### High Rigidity

Four-circuit and four-point contact structure and "U" shaped guide rail provide very high rigidity despite its compact configuration and can be used for cantilevered application.

### High Accuracy

BG type contains four ball circuits and four-point contact ball grooves which contribute to its high rigidity. The combination of precision ground guide rail, slide block and precision ball screw provides high positioning accuracy.

### Space Saving

In comparison to conventional positioning tables, the BG type allows for compact designs and dramatic space saving. The "U" shaped guide rail and integrated slide block and precision ball screw make this possible.

By utilizing four-circuit and four-point contact structure, the BG type provides extremely high rigidity. Figure H-3 shows displacement of each size of long block against radial load. Table H-3 shows the moment of inertia of area of guide rails.

Figure H-3 Block Displacement against Radial Load

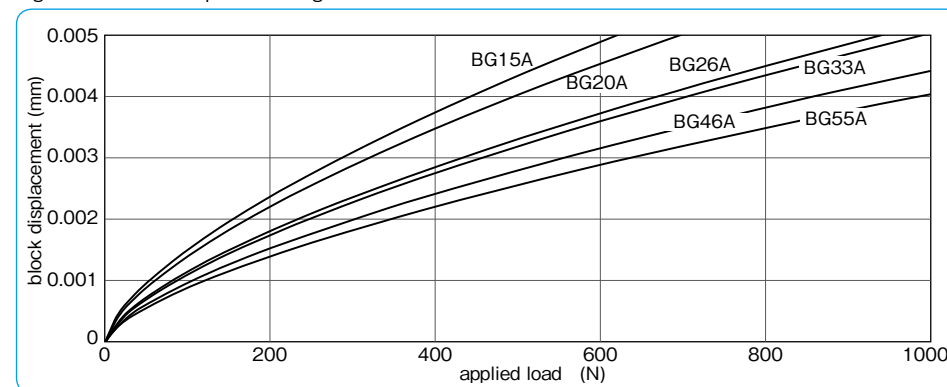


Figure H-4 Ball Contact Profile

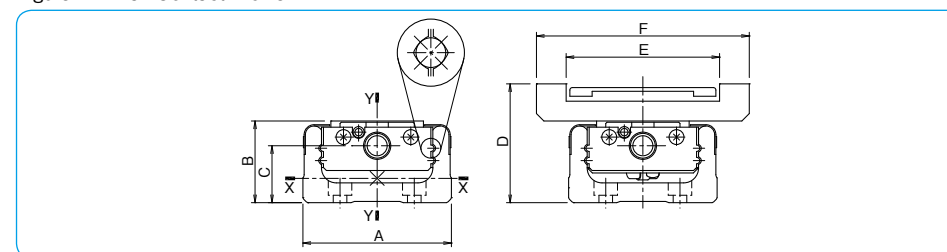


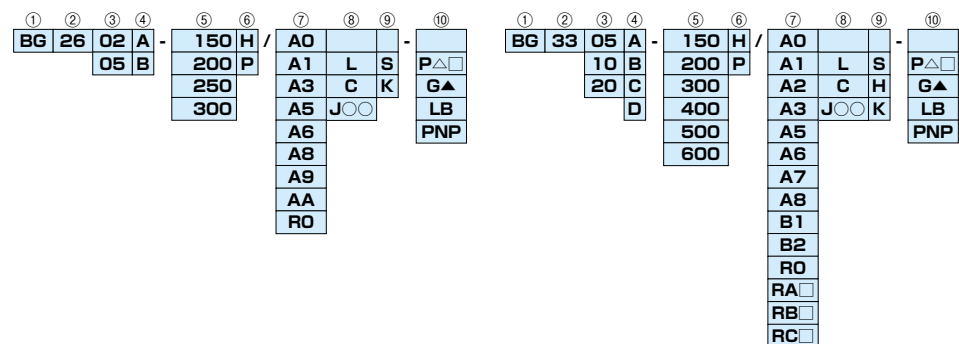
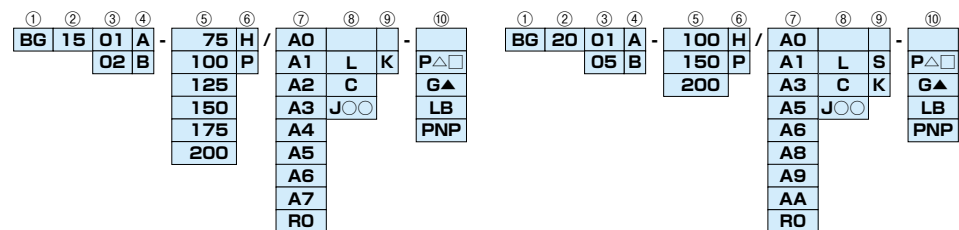
Table H-1 Moment of Inertia of Area of Guide Rail

part number	A	B	C	D	E	F	moment of inertia of area (mm <sup>4</sup> )		mass W (kg/100mm)
							I <sub>x</sub> (X Axis)	I <sub>y</sub> (Y Axis)	
<b>BG15</b>	30	15	9.5	25	32	44	1.22×10 <sup>3</sup>	1.56×10 <sup>4</sup>	0.12
<b>BG20</b>	40	20	12.5	32	37	52	6.50×10 <sup>3</sup>	6.00×10 <sup>4</sup>	0.25
<b>BG26</b>	50	26	16	40	47	62	1.69×10 <sup>4</sup>	1.47×10 <sup>5</sup>	0.38
<b>BG33</b>	60	33	23	48	62	86	5.11×10 <sup>4</sup>	3.42×10 <sup>5</sup>	0.60
<b>BG46</b>	86	46	32	68	88	112	2.42×10 <sup>5</sup>	1.49×10 <sup>6</sup>	1.24
<b>BG55</b>	100	55	32	80	95	124	2.29×10 <sup>5</sup>	2.28×10 <sup>6</sup>	1.50

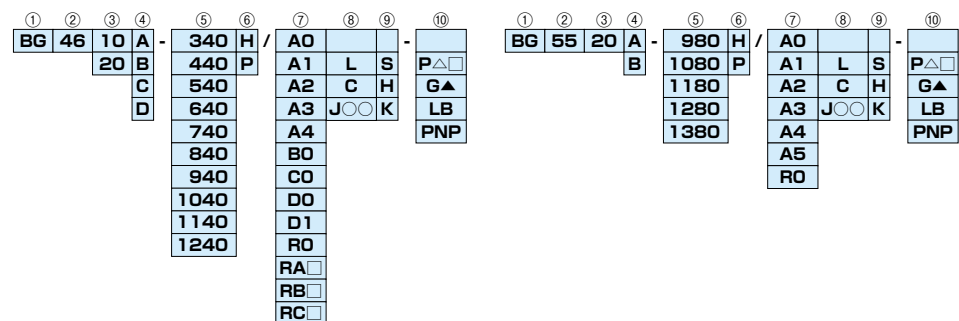
H-3

PART NUMBER STRUCTURE

Part number for BG type is described as follows.



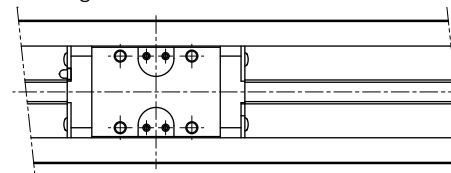
※Short blocks are not available for BG3320.



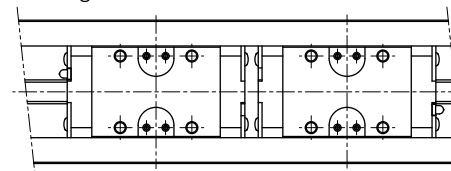
There is limitation on the length of rails depending on block type and accuracy grade. Please refer to page H-7,8.

- ① BG type
- ② size
- ③ ball screw lead
- ④ type of block

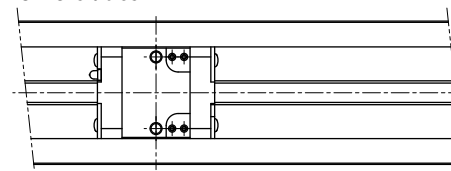
A:1 long block



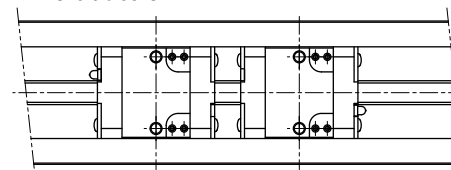
B:2 long blocks



C:1 short block



D:2 short blocks



※ Drive block is located closest to motor bracket side.

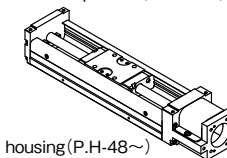
- ⑦ guide rail length
- ※Precision grade(P) has limitation on the length of rails. Please refer to page H-8.

⑥ accuracy grade (P.H-8)

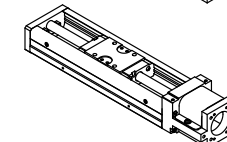
H	high grade
P	precision grade

⑦ motor bracket (refer to page H-30,H-31)  
The number in the square , □ ,after suffix RA , RB or RC indicates the mounting direction code. (refer to page H-46)

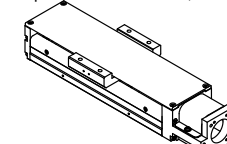
- ⑧ cover, low housing and bellows
- none: without top cover (P.H-14~)



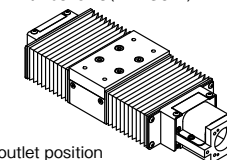
L:low housing (P.H-48~)



C: with top cover + sub table (P.H-15~)



J○○: with bellows (P.H-50~)



○○ sensor cable outlet position (refer to page H-50)

⑨ sensor (P.H-59~)

none	without sensor
S	with slim-type / compact photomicro sensor
H	with close contact capable photomicro sensor
K	with proximity sensor

⑩ option

none	without option
P△□	with positioning pin hole (※1)
G▲	with special grease option (※2)
LB	with low temperature black chrome treatment (※3)
PNP	with PNP sensor

In case of multiple options, add + between each option. Example: (PS+LB+PNP)

※1: △ is S, W or R (refer to page H-74)

□ is R (refer to page H-74)

※2: ▲ is U, L or F (refer to page H-79)

Grease is applied to slide guide, ball screw, and angular bearings.

※3: LB is applied to steel parts except for aluminum parts and radial bearings.

For BG15, LB is applied to steel parts except for the drive block, aluminum parts, and radial bearings.

Black chrome treatment is applied to the drive block.

SPECIFICATIONS

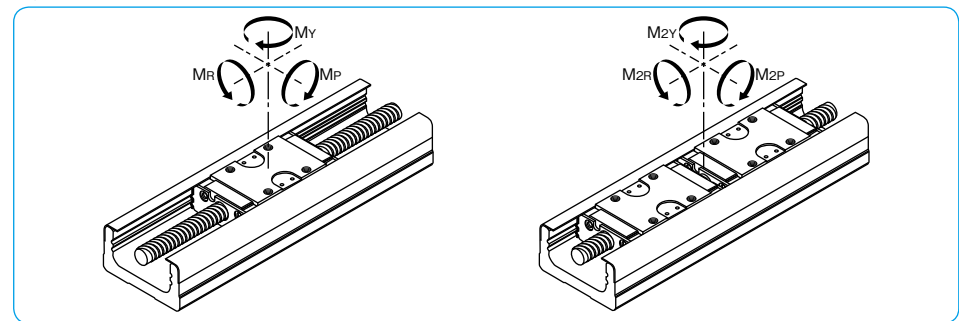
BG Type is categorized as either high grade (H) or precision grade (P). Precision grade(P) has limitation on the length of rails. Please refer to page H-8.

Table H-2 Specifications

part number		BG1501		BG1502		BG2001		BG2005		BG2602		BG2605		BG3305		BG3310		BG3320		BG4610		BG4620		BG5520				
precision grade		high	Precision	high	Precision	high	Precision	high	Precision	high	Precision	high	Precision	high	Precision	high	Precision	high	Precision	high	Precision	high	Precision	high	Precision	high	Precision	
guide	radial clearance	μm		-2~0	-4~-2	-2~0	-4~-2	-3~0	-6~-3	-3~0	-6~-3	-4~0	-8~-4	-4~0	-8~-4	-3~0	-6~-3	-3~0	-6~-3	-3~0	-6~-3	-5~0	-11~-5	-5~0	-11~-5	-6~0	-18~-6	
	basic dynamic load	C	kN		2.42		4.27		7.87		12.6		29.8		43.2													
		Co	kN		4.76		7.89		14.98		22.7		51.2		74.0													
	long block	allowable static moment	Mp	N·m		17		35		99		181		610		1,088												
			M2p	N·m		92		199		550		1,035		3,285		5,465												
		My	N·m		20		42		118		215		727		1,297													
		M2y	N·m		110		237		656		1,233		3,914		6,513													
		Me	N·m		51		101		255		500		1,612		2,701													
		M2e	N·m		102		201		509		1,000		3,224		5,402													
	short block	basic dynamic load	C	kN		-		-		7.8		-		19.9		-												
			Co	kN		-		-		-		11.4		-		28.8		-										
		allowable static moment	Mp	N·m		-		-		-		49		-		207		-										
M2p			N·m		-		-		-		368		-		1,336		-											
My			N·m		-		-		-		59		-		246		-											
M2y			N·m		-		-		-		439		-		1,593		-											
Me	N·m		-		-		-		250		-		907		-													
M2e	N·m		-		-		-		500		-		1,814		-													
ball screw	shaft diameter	mm		6		6		8		10		12		15		20												
	lead	mm		1 2		1 5		2 5		5 10		20 10		20 20		20												
	spacer-ball ratio	-		-		-		-		- 1:1 - 1:1 - 1:1 - 1:1 - 2:1 - 2:1																		
bearing support	basic dynamic load	Ca	kN		0.39	0.54	0.63	0.65	2.60	2.35	3.35	2.11	2.20	1.39	2.32	1.46	4.40	2.77	4.40	3.36	5.40	4.12						
	basic static load	Coa	kN		0.77	0.75	1.34	0.92	3.64	3.30	5.90	2.95	3.50	1.75	4.05	2.02	7.90	3.95	7.90	5.27	10.5	7.00						
bearing support	part number	-		AC4-12DF		AC5-14DF		AC6-16DF		70M8DF/GMP5		7001T2DF/GMP5		7002T2DF/GMP5														
	basic dynamic load	Cb	kN		1.21		1.31		1.79		4.40		6.77		7.74													
	basic static load	Cob	kN		1.08		1.25		1.76		4.36		7.45		9.50													

M2p, M2y and M2e are the allowable static moments when 2 blocks are used in close contact.  
 ※ Please consult with NB when using BG15, BG20 and BG26 series in the Precision grade with short and frequent stroke. (short stroke: BG1501= 2mm or less, BG1502= 4mm or less, BG2001= 7mm or less, BG2005= 25mm or less, BG2602= 14mm or less and BG2605= 25mm or less)  
 Short blocks are not available for BG3320.

Figure H-5 Direction of Moment



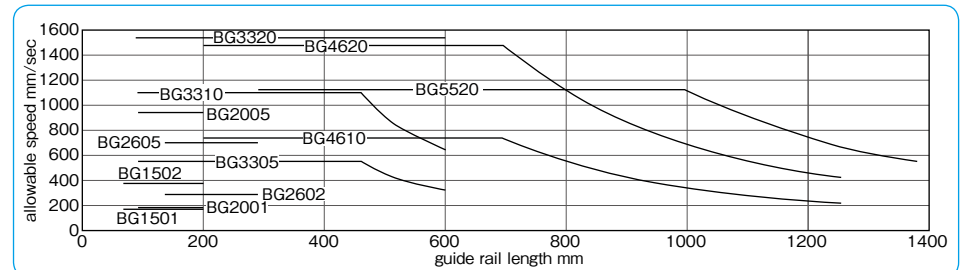
ALLOWABLE SPEED AND STROKE LIMIT

Allowable speed of BG type is subject to the type of motor and operating conditions. The speed may also be limited by the critical speed of the ball screw. Use caution when operating at high speeds or using long rails.

Table H-3 ALLOWABLE SPEED AND STROKE LIMIT

part number	rail length	stroke limit (mm)				speed (mm/sec)			
		1 long block	2 long blocks	1 short block	2 short blocks	lead1	lead2		
BG15	75	30	-	-	-	185	370		
	100	55	-	-	-				
	125	80	46	-	-				
	150	105	71	-	-				
	175	130	96	-	-				
	200	155	121	-	-				
BG20	100	43	-	-	-	187	925		
	150	93	51	-	-				
	200	143	101	-	-				
	200	143	101	-	-				
BG26	150	73	-	-	-	281	694		
	200	123	61	-	-				
	250	173	111	-	-				
	300	223	161	-	-				
BG33	150	60	-	85	34	550	1,100	1,500	
	200	110	-	135	84				
	300	210	133	235	184				
	400	310	233	335	284				
	500	410	333	435	384				
	600	510	433	535	484				
	600	510	433	535	484				
600	510	433	535	484	310	620			
Short block type is not available for lead 20.									
BG46	340	209	100	245	172	740	1,480		
	440	309	200	345	272				
	540	409	300	445	372				
	640	509	400	545	472				
	740	609	500	645	572				
	840	709	600	745	672				
	940	809	700	845	772				
	1,040	909	800	945	872				
	1,140	1,009	900	1,045	972				
	1,240	1,109	1,000	1,145	1,072				
BG55	980	834	711	-	-	-	-	-	
	1,080	934	811	-	-				
	1,180	1,034	911	-	-				
	1,280	1,134	1,011	-	-				
	1,380	1,234	1,111	-	-				
	1,380	1,234	1,111	-	-				

Figure H-6 Guide Rail Length and Allowable Speed



ACCURACY

Table H-4 shows accuracy of BG type.

Table H-4 Accuracy

part number	rail length mm	positioning repeatability		positioning accuracy		running parallelism B		backlash		※starting torque		
		high μm	precision μm	high μm	precision μm	high μm	precision μm	high μm	precision μm	high N·m	precision N·m	
BG15	75	±3	±1	40	20	20	10	5	2	0.01	0.012	
	100											
	125											
	150											
	175											
200												
BG20	100	±3	±1	50	20	25	10	5	2	0.01	0.012	
	150											
	200											
BG26	150	±3	±1	50	20	25	10	5	2	0.015	0.04	
	200											
	250											
	300											
BG33	150	±3 (±5)	±1 (±3)	30	15	25	10	5	2	0.07	0.15	
	200											
	300			35	20							
	400			40	25							15
	500			70	—							35
600	—	—	—	—	—	—	—	—	—	—		
BG46	340	±3 (±5)	±1 (±3)	35	20	35	15	5	2	0.10	0.15	
	440											
	540											
	640			40	25							
	740			50	30	40	20					
	840			80	—	—	—					
	940			—	—	—	—					
	1,040			—	—	—	—					
	1,140			—	—	—	—					
1,240	—	—	—	—								
BG55	980	±3	±1	80	35	50	25	5	2	0.12	0.17	
	1,080											
	1,180			40	30							
	1,280			—	—	—						
	1,380			—	—	—	—					

Above values are measured by using our selected motors.  
 ※ Above specifications are based on using NB standard grease. Other grease may cause deviations.  
 The values in the parentheses are positioning repeatability when used with return pulley unit.

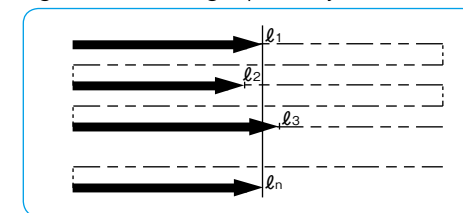
Positioning Repeatability

After setting an arbitrary position, from one end, move the drive block to this position and measure the stop position. Repeat the positioning and measurement process 7 times with respect to the setting position at the midpoint and near both ends of travel. Take the maximum difference and divide it by 2, then indicate it with a positive and negative sign as the test result.

Positioning Repeatability

$$= \pm \frac{1}{2} (\text{maximum value of } \ell_n - \text{minimum value of } \ell_n)$$

Figure H-7 Positioning Repeatability

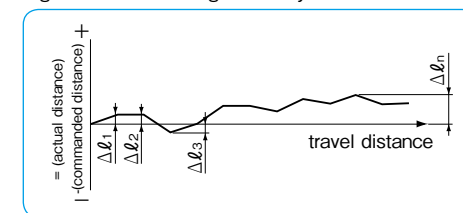


Positioning Accuracy

Positioning is performed in one direction and the resulting position is set as the datum point. Take the difference between the actual travel distance and the commanded travel distance from the datum point. Continuing in the same direction (without returning to the start point) repeat this process randomly several times until nearing to the stroke limit. Express the accuracy by the absolute maximum difference.

$$\text{Positioning Accuracy} = (\Delta \ell_n)_{\max}$$

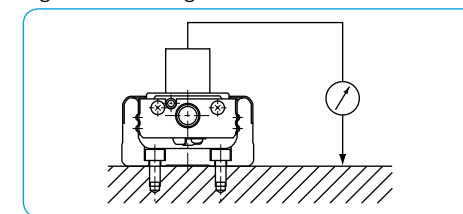
Figure H-8 Positioning Accuracy



Running Parallelism B

After fixing the guide rail onto the surface plate, placing the dial test indicator on the center of the slide block and connecting the indicator probe onto the mounting surface, run the block over the entire travel distance. Take the maximum deviation in readings as the test result.

Figure H-9 Running Parallelism

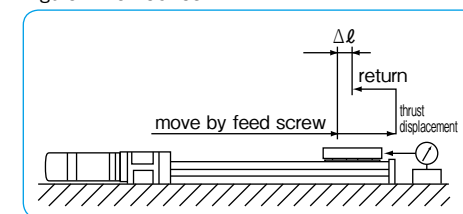


Backlash

Using the feed screw to move the slide block a little, take the dial test indicator reading and make it the datum point. While in this position, thrust the block by a certain force in the same direction without using the feed screw. Release the thrust and read the return, then take the difference from the datum point. Repeat the same process at the midpoint and near both ends of travel. Take the maximum difference as the test result.

$$\text{Backlash} = \Delta \ell$$

Figure H-10 Backlash





**RATED LIFE**

To obtain the rated life of the BG type, calculate the rated life of the guide portion, ball screw portion and support bearing portion. Use the minimum value as the rated life of the BG type.

**A. Life of Guide Portion**

Use the following equation for calculating the rated life of guide portion.

$$L_G = \left( \frac{f_c}{f_w} \cdot \frac{C}{P_T} \right)^3 \cdot 50 \quad \dots\dots\dots (1)$$

$L_G$ : rated life (km)  $f_c$ : contact coefficient (refer to Table H-5)  
 $f_w$ : applied load coefficient (refer to Table H-6)  
 $C$ : basic dynamic load rating (N)  
 $P_T$ : calculated load applied to one block (N)

**A.1. Calculation of  $P_T$**

Before calculating the rated life using the equation (1), the calculated load applied to one block ( $P_T$ ) needs to be obtained in consideration of the moment load, etc. that will be actually applied. For rapidly-accelerating or short stroke motion,  $P_T$  needs to be calculated with acceleration taken into consideration. The calculation of this acceleration will be carried out for the mass applied to BG. Obtain the calculated load during uniform motion, acceleration, and deceleration, and use the average value of the three as  $P_T$ .

For the calculation of  $P_T$ , select an appropriate equation depending on the installation conditions of the guide.

It is also possible to calculate  $P_T$  without including the effect of acceleration by using the equation " $P_T = P_{TC}$  (see the equations (2), (5), and (8)). In this case, however, the obtained value is a rough approximation, so a selection with sufficient margin is recommended.

Table H-5 Contact Coefficient ( $f_c$ )

number of blocks in close contact on one axis	contact coefficient ( $f_c$ )
1	1.0
2	0.81

Table H-6 Applied Load Coefficient ( $f_w$ )

operating conditions		applied load coefficient ( $f_w$ )
vibration, impact	velocity	
none	0.25m/s or less	1.0 ~ 1.5
low	1m/s or less	1.5 ~ 2.0
high	1m/s or more	2.0 ~ 3.5

Table H-7 Moment Equivalent Coefficient

	$E_p$ (E2p)	$E_y$ (E2y)	$E_r$ (E2r)
BG15 * * A	$2.82 \times 10^{-1}$	$2.37 \times 10^{-1}$	$9.35 \times 10^{-2}$
BG15 * * B	$5.16 \times 10^{-2}$	$4.33 \times 10^{-2}$	$4.67 \times 10^{-2}$
BG20 * * A	$2.25 \times 10^{-1}$	$1.89 \times 10^{-1}$	$7.84 \times 10^{-2}$
BG20 * * B	$3.98 \times 10^{-2}$	$3.34 \times 10^{-2}$	$3.92 \times 10^{-2}$
BG26 * * A	$1.51 \times 10^{-1}$	$1.27 \times 10^{-1}$	$5.88 \times 10^{-2}$
BG26 * * B	$2.72 \times 10^{-2}$	$2.28 \times 10^{-2}$	$2.94 \times 10^{-2}$
BG33 * * A	$1.26 \times 10^{-1}$	$1.06 \times 10^{-1}$	$4.55 \times 10^{-2}$
BG33 * * B	$2.20 \times 10^{-2}$	$1.84 \times 10^{-2}$	$2.27 \times 10^{-2}$
BG33 * * C	$2.31 \times 10^{-1}$	$1.94 \times 10^{-1}$	$4.55 \times 10^{-2}$
BG33 * * D	$3.09 \times 10^{-2}$	$2.59 \times 10^{-2}$	$2.27 \times 10^{-2}$
BG46 * * A	$8.39 \times 10^{-2}$	$7.04 \times 10^{-2}$	$3.17 \times 10^{-2}$
BG46 * * B	$1.56 \times 10^{-2}$	$1.31 \times 10^{-2}$	$1.59 \times 10^{-2}$
BG46 * * C	$1.39 \times 10^{-1}$	$1.17 \times 10^{-1}$	$3.17 \times 10^{-2}$
BG46 * * D	$2.15 \times 10^{-2}$	$1.81 \times 10^{-2}$	$1.59 \times 10^{-2}$
BG55 * * A	$6.80 \times 10^{-2}$	$5.71 \times 10^{-2}$	$2.74 \times 10^{-2}$
BG55 * * B	$1.35 \times 10^{-2}$	$1.14 \times 10^{-2}$	$1.37 \times 10^{-2}$

\*The E2 coefficient is for two blocks being used in close contact.

**A.1.a.  $P_T$  for Horizontal Move (Horizontal Mounting)**

i) during uniform motion ( $P_{TC}$ )

$$P_{TC} = \frac{1}{n} \cdot W + E_p \cdot M_{pL} + E_y \cdot M_{yL} + E_r \cdot M_{rL} \quad \dots\dots\dots (2)$$

ii) during acceleration ( $P_{Ta}$ )

$$P_{Ta} = \frac{1}{n} \cdot W + E_p(M_{pL} + m \cdot \alpha_a \cdot Z) + E_y(M_{yL} + m \cdot \alpha_a \cdot X) + E_r \cdot M_{rL} \quad \dots\dots\dots (3)$$

Note that the values of  $(M_{pL} + m \cdot \alpha_a \cdot Z)$  and  $(M_{yL} + m \cdot \alpha_a \cdot X)$  will be treated as 0 (zero) when the calculated value is negative.

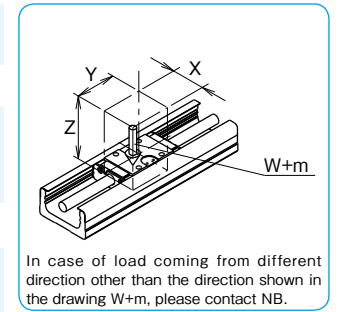
iii) during deceleration ( $P_{Td}$ )

$$P_{Td} = \frac{1}{n} \cdot W + E_p(M_{pL} + m \cdot \alpha_d \cdot Z) + E_y(M_{yL} + m \cdot \alpha_d \cdot X) + E_r \cdot M_{rL} \quad \dots\dots\dots (4)$$

Note that the values of  $(M_{pL} + m \cdot \alpha_d \cdot Z)$  and  $(M_{yL} + m \cdot \alpha_d \cdot X)$  will be treated as 0 (zero) when the calculated value is negative.

$P_{TC}$ : calculated load applied to a block during uniform motion (N)  $P_{Ta}$ : calculated load applied to a block during accelerating (N)  
 $P_{Td}$ : calculated load applied to a block during decelerating (N)  $n$ : number of blocks of BG  $W$ : applied load (N)  $m$ : carrying mass (kg)  
 $\alpha_a$ : acceleration during accelerating (m/sec<sup>2</sup>)  $\alpha_d$ : acceleration during decelerating (m/sec<sup>2</sup>) (the negative value)  
 $X$ : distance between the center of BG and the center of the carrying mass (mm)  
 $Y$ : distance between the center of BG and the center of the carrying mass (mm)  
 $Z$ : distance between the center of BG ball screw and the center of the carrying mass (mm)  
 $E_p$ : moment equivalent coefficient in the pitching direction (refer to Table H-7)  
 $E_y$ : moment equivalent coefficient in the yawing direction (refer to Table H-7)  
 $E_r$ : moment equivalent coefficient in the rolling direction (refer to Table H-7)  
 $M_{pL}$ : applied moment in the pitching direction (N · mm)  $M_{pL} = W \cdot Y$   
 $M_{yL}$ : applied moment in the yawing direction (N · mm)  $M_{yL} = 0$   
 $M_{rL}$ : applied moment in the rolling direction (N · mm)  $M_{rL} = W \cdot X$  \*Refer to Fig.H-5 for the direction of moment.

Figure H-11



In case of load coming from different direction other than the direction shown in the drawing W+m, please contact NB.

**A.1.b.  $P_T$  for Horizontal Move (Wall Mounting)**

i) during uniform motion ( $P_{TC}$ )

$$P_{TC} = \frac{1}{1.19 \cdot n} \cdot W + E_p \cdot M_{pL} + E_y \cdot M_{yL} + E_r \cdot M_{rL} \quad \dots\dots\dots (5)$$

ii) during acceleration ( $P_{Ta}$ )

$$P_{Ta} = \frac{1}{1.19 \cdot n} \cdot W + E_p(M_{pL} + m \cdot \alpha_a \cdot Z) + E_y(M_{yL} + m \cdot \alpha_a \cdot X) + E_r \cdot M_{rL} \quad \dots\dots\dots (6)$$

Note that the values of  $(M_{pL} + m \cdot \alpha_a \cdot Z)$  and  $(M_{yL} + m \cdot \alpha_a \cdot X)$  will be treated as 0 (zero) when the calculated value is negative.

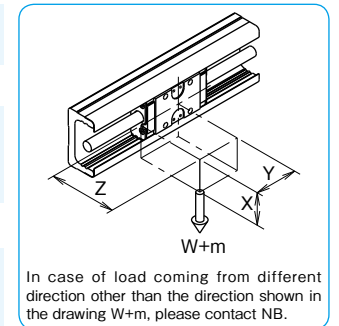
iii) during deceleration ( $P_{Td}$ )

$$P_{Td} = \frac{1}{1.19 \cdot n} \cdot W + E_p(M_{pL} + m \cdot \alpha_d \cdot Z) + E_y(M_{yL} + m \cdot \alpha_d \cdot X) + E_r \cdot M_{rL} \quad \dots\dots\dots (7)$$

Note that the values of  $(M_{pL} + m \cdot \alpha_d \cdot Z)$  and  $(M_{yL} + m \cdot \alpha_d \cdot X)$  will be treated as 0 (zero) when the calculated value is negative.

$P_{TC}$ : calculated load applied to a block during uniform motion (N)  $P_{Ta}$ : calculated load applied to a block during accelerating (N)  
 $P_{Td}$ : calculated load applied to a block during decelerating (N)  $n$ : number of blocks of BG  $W$ : applied load (N)  $m$ : carrying mass (kg)  
 $\alpha_a$ : acceleration during accelerating (m/sec<sup>2</sup>)  $\alpha_d$ : acceleration during decelerating (m/sec<sup>2</sup>) (the negative value)  
 $X$ : distance between the center of BG and the center of the carrying mass (mm)  
 $Y$ : distance between the center of BG and the center of the carrying mass (mm)  
 $Z$ : distance between the center of BG ball screw and the center of the carrying mass (mm)  
 $E_p$ : moment equivalent coefficient in the pitching direction (refer to Table H-7)  $E_y$ : moment equivalent coefficient in the yawing direction (refer to Table H-7)  $E_r$ : moment equivalent coefficient in the rolling direction (refer to Table H-7)  
 $M_{pL}$ : applied moment in the pitching direction (N · mm)  $M_{pL} = 0$   
 $M_{yL}$ : applied moment in the yawing direction (N · mm)  $M_{yL} = W \cdot Y$   
 $M_{rL}$ : applied moment in the rolling direction (N · mm)  $M_{rL} = W \cdot Z$  \*Refer to Fig. H-5 for the direction of moment.

Figure H-12



In case of load coming from different direction other than the direction shown in the drawing W+m, please contact NB.

**A.1.c. P<sub>T</sub> for Vertical Move**

i) during uniform motion (P<sub>Tc</sub>)

$$P_{Tc} = E_p \cdot M_{pL} + E_y \cdot M_{yL} + E_r \cdot M_{rL} \quad \dots \quad (8)$$

ii) during acceleration (P<sub>Ta</sub>)

$$P_{Ta} = E_p(M_{pL} + m \cdot \alpha_a \cdot Z) + E_y(M_{yL} + m \cdot \alpha_a \cdot X) + E_r \cdot M_{rL} \quad \dots \quad (9)$$

Note that the values of (M<sub>pL</sub>+m·α<sub>a</sub>·Z) and (M<sub>yL</sub>+m·α<sub>a</sub>·X) will be treated as 0 (zero) when the calculated value is negative.

iii) during deceleration (P<sub>Td</sub>)

$$P_{Td} = E_p(M_{pL} + m \cdot \alpha_d \cdot Z) + E_y(M_{yL} + m \cdot \alpha_d \cdot X) + E_r \cdot M_{rL} \quad \dots \quad (10)$$

Note that the values of (M<sub>pL</sub>+m·α<sub>d</sub>·Z) and (M<sub>yL</sub>+m·α<sub>d</sub>·X) will be treated as 0 (zero) when the calculated value is negative.

P<sub>Tc</sub>: calculated load applied to a block during uniform motion(N) P<sub>Ta</sub>: calculated load applied to a block during accelerating(N)  
 P<sub>Td</sub>: calculated load applied to a block during decelerating(N) n: number of blocks of BG W: applied load(N) m: carrying mass(kg)  
 α<sub>a</sub>: acceleration during accelerating(m/sec<sup>2</sup>) α<sub>d</sub>: acceleration during decelerating(m/sec<sup>2</sup>) (the negative value)  
 X: distance between the center of BG and the center of the carrying mass(mm)  
 Y: distance between the center of BG and the center of the carrying mass(mm)  
 Z: distance between the center of BG ball screw and the center of the carrying mass(mm)  
 E<sub>p</sub>: moment equivalent coefficient in the pitching direction (refer to Table H-7)  
 E<sub>y</sub>: moment equivalent coefficient in the yawing direction (refer to Table H-7)  
 E<sub>r</sub>: moment equivalent coefficient in the rolling direction (refer to Table H-7)  
 M<sub>pL</sub>: applied moment in the pitching direction (N·mm) M<sub>pL</sub>=W·Z M<sub>yL</sub>: loaded moment in the yawing direction (N·mm) M<sub>yL</sub>=W·X  
 M<sub>rL</sub>: applied moment in the rolling direction (N·mm) M<sub>rL</sub>=0 ※Refer to Fig. H-5 for the direction of moment.

**A.1.d.**

Obtain the calculated load applied to a block (P<sub>T</sub>) by calculating the average load of each motion using an appropriate equation among those shown above according to the application.

$$P_T = \sqrt[3]{\frac{1}{S_1+S_2+S_3} (P_{Ta}^3 \cdot S_1 + P_{Tc}^3 \cdot S_2 + P_{Td}^3 \cdot S_3)} \quad \dots \quad (11)$$

P<sub>T</sub>: calculated load applied to one block (N)  
 S1: travel distance during acceleration (mm) (refer to Figure H-14)  
 S2: travel distance during uniform motion (mm) (refer to Figure H-14)  
 S3: travel distance during deceleration (mm) (refer to Figure H-14)  
 P<sub>Ta</sub>: calculated load applied to one block during accelerating (N): equation (3), (6), and (9)  
 P<sub>Tc</sub>: calculated load applied to one block during uniform motion (N): equation (2), (5), and (8)  
 P<sub>Td</sub>: calculated load applied to one block during decelerating (N): equation (4), (7), and (10)

**B. Life of Ball Screw and Support Bearing**

The life of ball screw and support bearing can be calculated using a common equation, as shown below. Compare the dynamic load rating of the ball screw and the support bearing and apply smaller value for calculation.

$$L_a = \left( \frac{1}{f_w} \cdot \frac{C_a \text{ or } C_b}{P_a} \right)^3 \cdot \ell \quad \dots \quad (12)$$

L<sub>a</sub>: rated life (km) f<sub>w</sub>: applied load coefficient (refer to Table H-6)  
 C<sub>a</sub>: basic dynamic load rating of the ball screw (N)  
 C<sub>b</sub>: basic dynamic load rating of the support bearing (N)  
 P<sub>a</sub>: axial load (N) ℓ: ball screw lead (mm)

**B.1. Calculation of Pa**

Before calculating the life using the equation (12), calculate Pa with acceleration taken into consideration. Calculate the load in each axial direction during uniform motion, acceleration, and deceleration and the obtained value is used as Pa.

Figure H-13

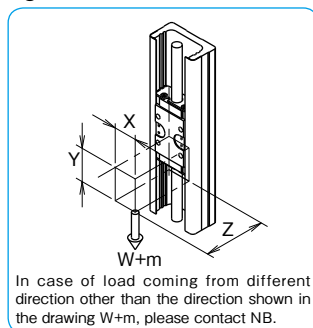
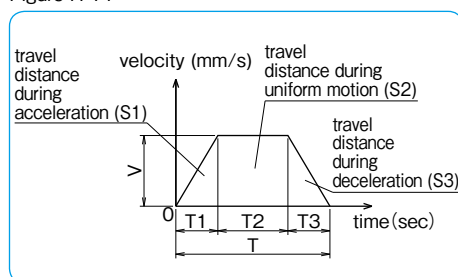


Figure H-14



**B.1.a. For Horizontal Move**

i) during uniform motion (P<sub>ac</sub>)

$$P_{ac} = \mu \cdot W + F + f_b \cdot n \quad \dots \quad (13)$$

ii) during acceleration (P<sub>aa</sub>)

$$P_{aa} = \mu \cdot W + F + f_b \cdot n + (m + m_b \cdot n) \alpha_a \quad \dots \quad (14)$$

iii) during deceleration (P<sub>ad</sub>)

$$P_{ad} = \mu \cdot W + F + f_b \cdot n + (m + m_b \cdot n) \alpha_d \quad \dots \quad (15)$$

**B.1.b. For Vertical Move**

i) during uniform motion (P<sub>ac</sub>)

$$P_{ac} = (m + m_b \cdot n)g + F + f_b \cdot n \quad \dots \quad (16)$$

ii) during acceleration (P<sub>aa</sub>)

$$P_{aa} = (m + m_b \cdot n) \cdot (g + \alpha_a) + F + f_b \cdot n \quad \dots \quad (17)$$

iii) during deceleration (P<sub>ad</sub>)

$$P_{ad} = (m + m_b \cdot n) \cdot (g + \alpha_d) + F + f_b \cdot n \quad \dots \quad (18)$$

**B.1.c.**

Obtain the average axial load (Pa) using an appropriate formula among those shown above depending on the application.

$$P_a = \sqrt[3]{\frac{1}{S_1+S_2+S_3} (P_{aa}^3 \cdot S_1 + P_{ac}^3 \cdot S_2 + P_{ad}^3 \cdot S_3)} \quad \dots \quad (19)$$

P<sub>a</sub>: average axial load (N)  
 S1: travel distance during acceleration (mm) (refer to Table H-14)  
 S2: travel distance during uniform motion (mm) (refer to Table H-14)  
 S3: travel distance during deceleration (mm) (refer to Table H-14)  
 P<sub>aa</sub>: axial load during accelerating (N): formulas (14) and (17)  
 P<sub>ac</sub>: axial load during uniform motion (N): formulas (13) and (16)  
 P<sub>ad</sub>: axial load during decelerating (N): formulas (15) and (18)

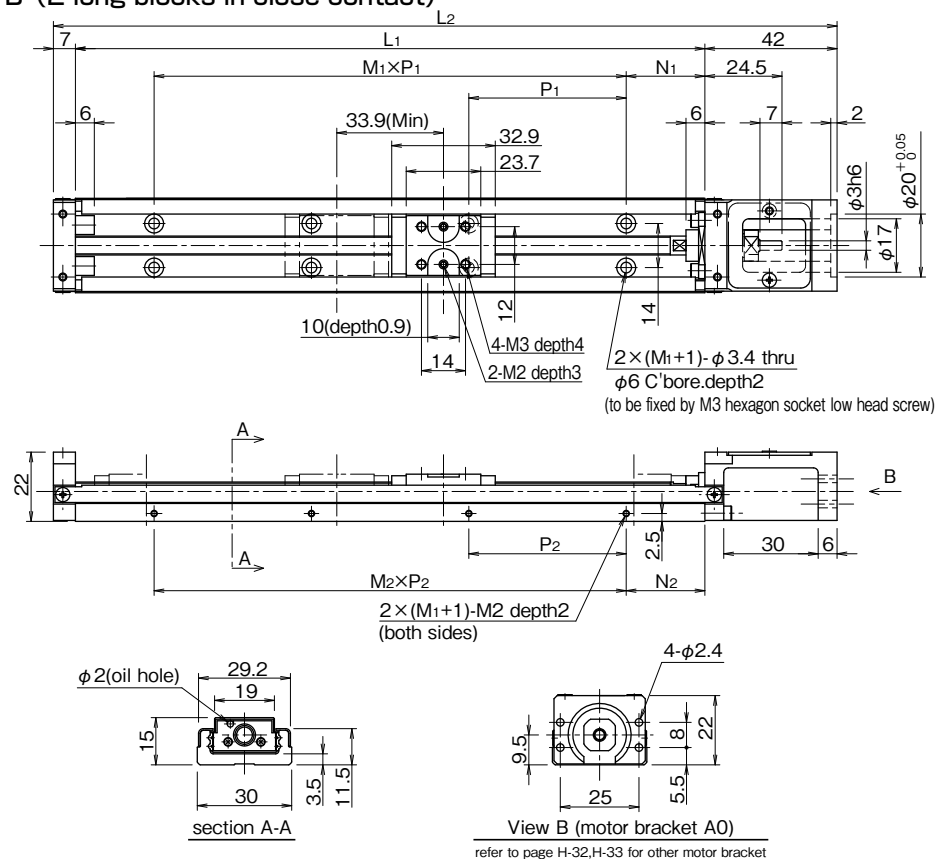
Table H-8 Sliding Resistance (f<sub>b</sub>) of a Single Block (Seal Resistance) unit: N

	high grade (H)	precision grade (P)
BG15	0.8	1.8
BG20	2.3	4.9
BG26	5.4	9.8
BG33	4.4	10.2
BG46	7.4	13.3
BG55	9	16

P<sub>ac</sub>: axial load rating during uniform motion (N)  
 P<sub>aa</sub>: axial load rating during accelerating (N)  
 P<sub>ad</sub>: axial load rating during decelerating (N)  
 μ: friction coefficient W: load applied to a block (N)  
 F: external force (load) applied to the axial direction (N)  
 f<sub>b</sub>: sliding resistance of a single block (N) (refer to Table H-8)  
 n: number of blocks of BG m: carrying mass (kg)  
 m<sub>b</sub>: mass of a block of BG (kg) (refer to P.H14~29)  
 α<sub>a</sub>: acceleration during accelerating (m/s<sup>2</sup>)  
 α<sub>d</sub>: acceleration during decelerating (m/s<sup>2</sup>)  
 g: acceleration of gravity

### BG15 –Without Top Cover–

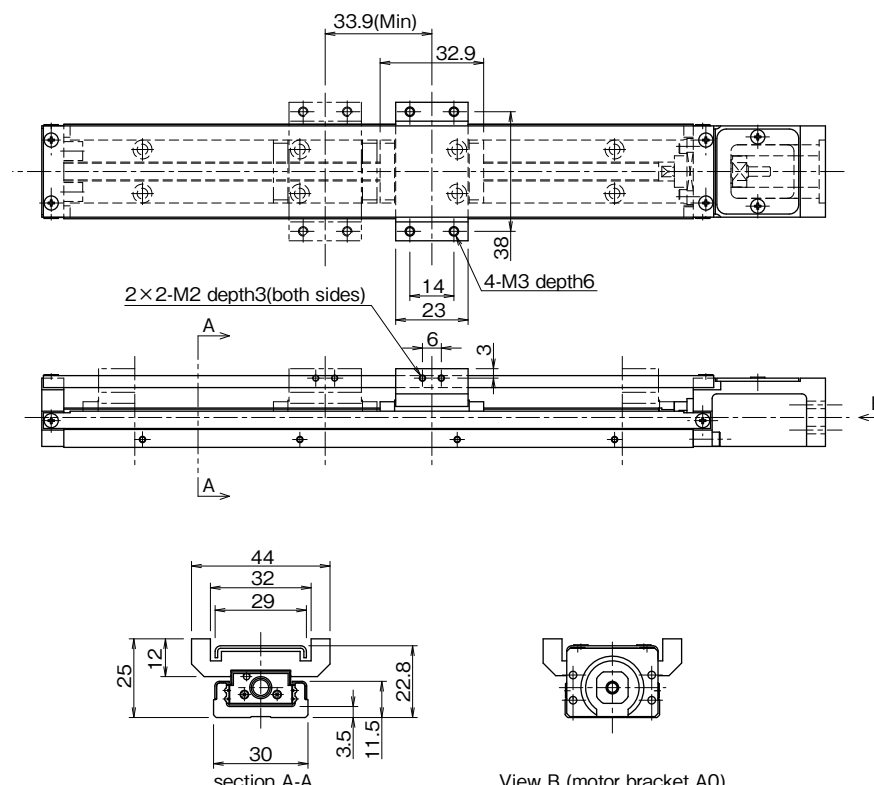
- A (1 long block)
- B (2 long blocks in close contact)



refer to page H-32,H-33 for other motor bracket

### BG15 –With Top Cover–

- A (1 long block)
- B (2 long blocks in close contact)



refer to page H-32,H-33 for other motor bracket

part number <sup>※3※4</sup>	stroke limit mm <sup>※1</sup>	dimensions mm						block mass kg <sup>※2</sup>		total mass kg	
		L <sub>1</sub>	L <sub>2</sub>	N <sub>1</sub>	M <sub>1</sub> ×P <sub>1</sub>	N <sub>2</sub>	M <sub>2</sub> ×P <sub>2</sub>	without top cover	with top cover	without top cover	with top cover
BG15□□ A-75	30	75	124	12.5	1×50	12.5	1×50	0.03	0.05	0.21	0.24
B	—	—	—	—	—	—	—	—	—	—	—
BG15□□ A-100	55	100	149	25	1×50	25	1×50	0.03	0.05	0.25	0.28
B	—	—	—	—	—	—	—	—	—	—	—
BG15□□ A-125	80	125	174	12.5	2×50	12.5	2×50	0.03	0.05	0.28	0.31
B	46							0.06	0.10	0.32	0.37
BG15□□ A-150	105	150	199	25	25	25	25	0.03	0.05	0.32	0.35
B	71							0.06	0.10	0.35	0.40
BG15□□ A-175	130	175	224	12.5	3×50	12.5	3×50	0.03	0.05	0.35	0.39
B	96							0.06	0.10	0.39	0.44
BG15□□ A-200	155	200	249	25	25	25	3×50	0.03	0.05	0.39	0.42
B	121							0.06	0.10	0.42	0.48

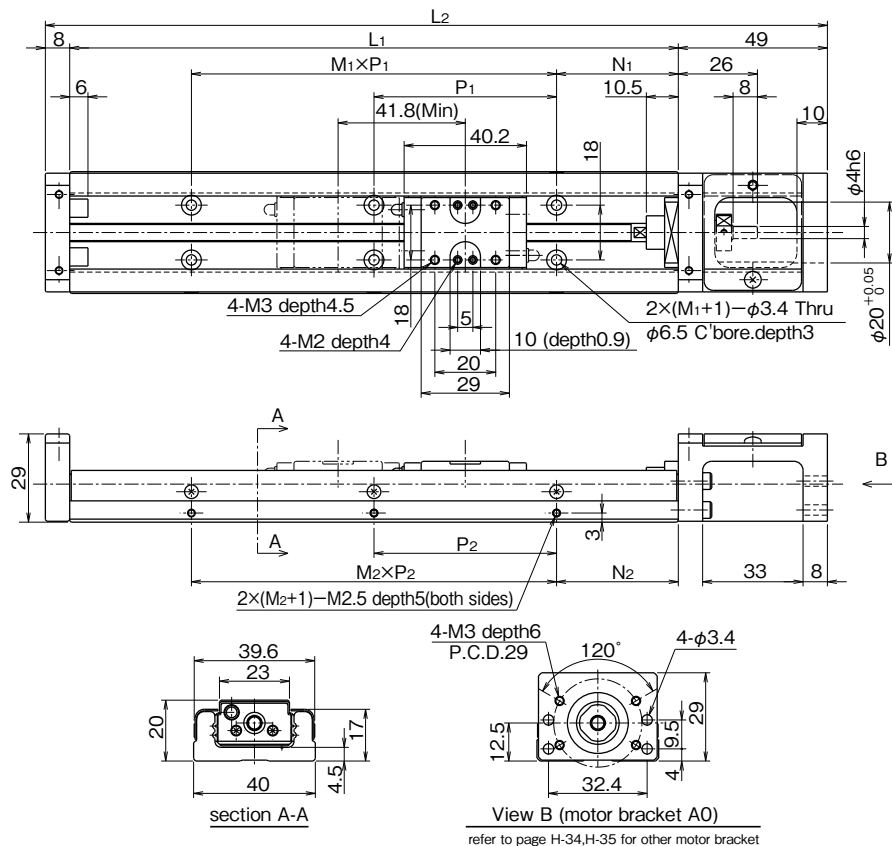
※1: Stroke limit is a drive distance between both ends of the dampers.  
 ※2: Mass stated "with top cover" includes mass of sub tables.  
 ※3: For B type (2 long blocks), drive block is located closest to motor bracket side.  
 ※4: □ is ball screw lead.

inertia (reference values) unit: kg · m<sup>2</sup>

part number	rail length mm	long block			
		without top cover		with top cover	
		A 1 block	B 2 block	A 1 block	B 2 block
BG1501	75	1.06 × 10 <sup>-7</sup>	—	1.07 × 10 <sup>-7</sup>	—
	100	1.31 × 10 <sup>-7</sup>	—	1.31 × 10 <sup>-7</sup>	—
	125	1.56 × 10 <sup>-7</sup>	1.56 × 10 <sup>-7</sup>	1.56 × 10 <sup>-7</sup>	1.58 × 10 <sup>-7</sup>
	150	1.80 × 10 <sup>-7</sup>	1.81 × 10 <sup>-7</sup>	1.81 × 10 <sup>-7</sup>	1.82 × 10 <sup>-7</sup>
	175	2.05 × 10 <sup>-7</sup>	2.06 × 10 <sup>-7</sup>	2.06 × 10 <sup>-7</sup>	2.07 × 10 <sup>-7</sup>
BG1502	200	2.30 × 10 <sup>-7</sup>	2.31 × 10 <sup>-7</sup>	2.31 × 10 <sup>-7</sup>	2.32 × 10 <sup>-7</sup>
	75	1.09 × 10 <sup>-7</sup>	—	1.11 × 10 <sup>-7</sup>	—
	100	1.33 × 10 <sup>-7</sup>	—	1.35 × 10 <sup>-7</sup>	—
	125	1.58 × 10 <sup>-7</sup>	1.62 × 10 <sup>-7</sup>	1.60 × 10 <sup>-7</sup>	1.66 × 10 <sup>-7</sup>
	150	1.83 × 10 <sup>-7</sup>	1.86 × 10 <sup>-7</sup>	1.85 × 10 <sup>-7</sup>	1.90 × 10 <sup>-7</sup>
175	2.08 × 10 <sup>-7</sup>	2.11 × 10 <sup>-7</sup>	2.10 × 10 <sup>-7</sup>	2.15 × 10 <sup>-7</sup>	
200	2.33 × 10 <sup>-7</sup>	2.36 × 10 <sup>-7</sup>	2.35 × 10 <sup>-7</sup>	2.40 × 10 <sup>-7</sup>	

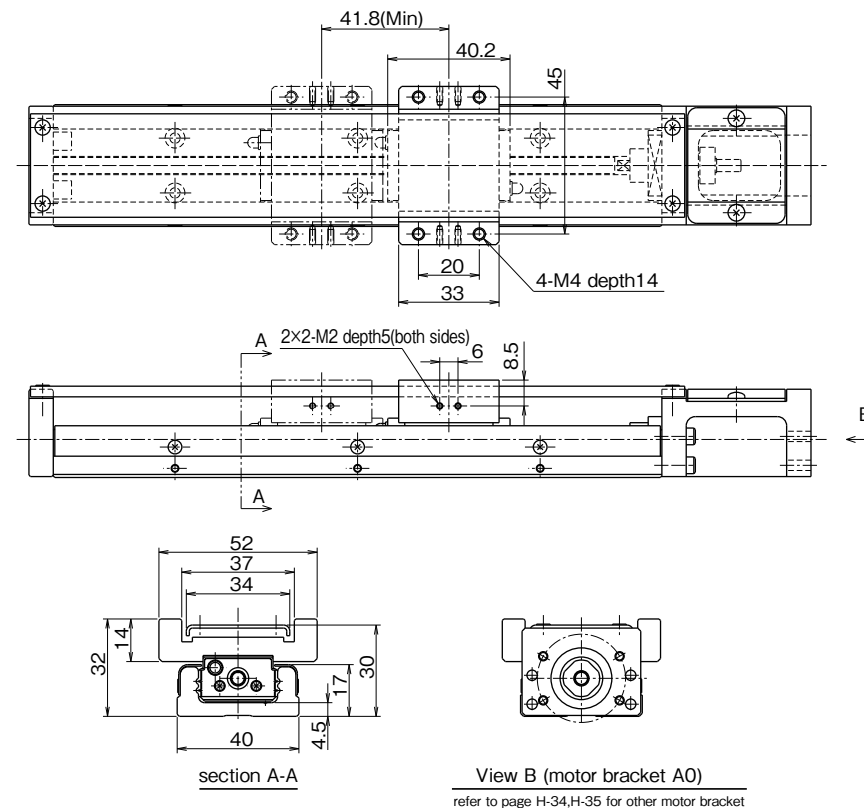
### BG20 – Without Top Cover –

- A (1 long block)
- B (2 long blocks in close contact)



### BG20 – With Top Cover –

- A (1 long block)
- B (2 long blocks in close contact)



part number <sup>※3※4</sup>	stroke limit mm <sup>※1</sup>	dimensions mm						block mass kg <sup>※2</sup>		total mass kg	
		L <sub>1</sub>	L <sub>2</sub>	N <sub>1</sub>	M <sub>1</sub> ×P <sub>1</sub>	N <sub>2</sub>	M <sub>2</sub> ×P <sub>2</sub>	without top cover	with top cover	without top cover	with top cover
BG20□□A-100	43	100	157	20	1×60	20	1×60	0.07	0.11	0.45	0.50
B	—	—	—	—	—	—	—	—	—	—	—
BG20□□A-150	93	150	207	15	2×60	15	2×60	0.07	0.11	0.58	0.63
B	51	—	—	—		—		—	0.14	0.22	0.65
BG20□□A-200	143	200	257	40	2×60	40	2×60	0.07	0.11	0.71	0.77
B	101	—	—	—		—		—	0.14	0.22	0.78

※1 : Stroke limit is a drive distance between both ends of the dampers.  
 ※2 : Mass stated "with top cover" includes mass of sub tables.  
 ※3 : For B type (2 long blocks), drive block is located closest to motor bracket side.  
 ※4 : □ is ball screw lead.

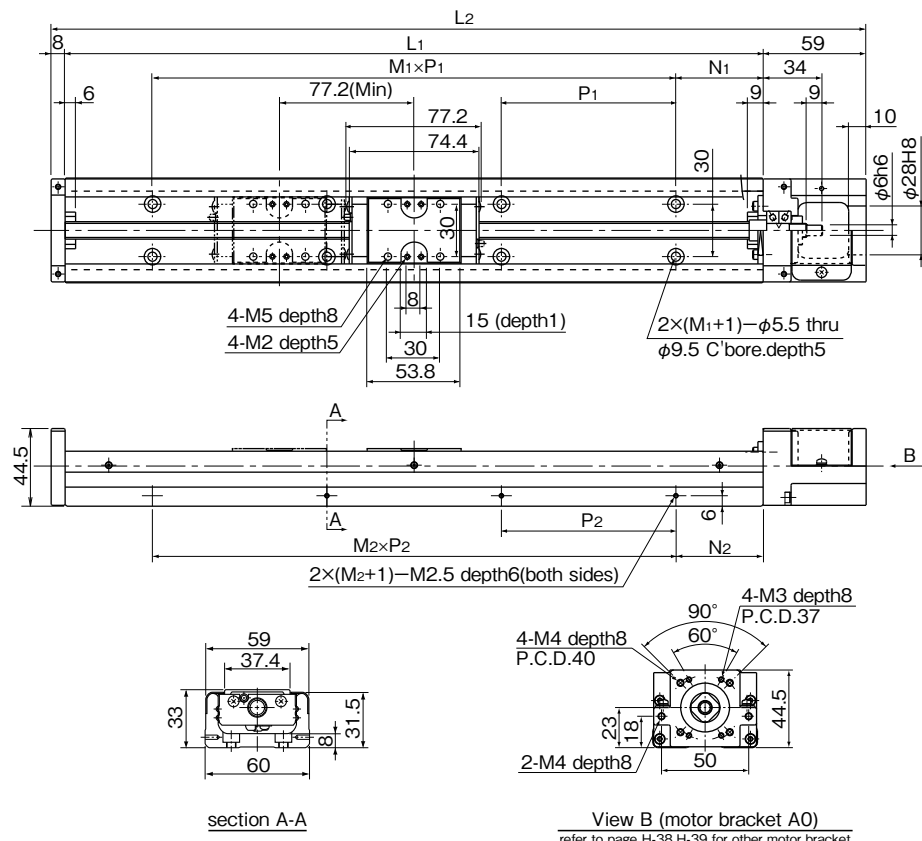
inertia (reference values) unit : kg · m<sup>2</sup>

part number	rail length mm	long block			
		without top cover		with top cover	
		A 1 block	B 2 block	A 1 block	B 2 block
BG2001	100	1.34 × 10 <sup>-7</sup>	—	1.35 × 10 <sup>-7</sup>	—
	150	1.83 × 10 <sup>-7</sup>	1.85 × 10 <sup>-7</sup>	1.84 × 10 <sup>-7</sup>	1.87 × 10 <sup>-7</sup>
	200	2.33 × 10 <sup>-7</sup>	2.35 × 10 <sup>-7</sup>	2.34 × 10 <sup>-7</sup>	2.37 × 10 <sup>-7</sup>
BG2005	100	1.76 × 10 <sup>-7</sup>	—	2.00 × 10 <sup>-7</sup>	—
	150	2.26 × 10 <sup>-7</sup>	2.70 × 10 <sup>-7</sup>	2.50 × 10 <sup>-7</sup>	3.18 × 10 <sup>-7</sup>
	200	2.76 × 10 <sup>-7</sup>	3.20 × 10 <sup>-7</sup>	3.00 × 10 <sup>-7</sup>	3.68 × 10 <sup>-7</sup>



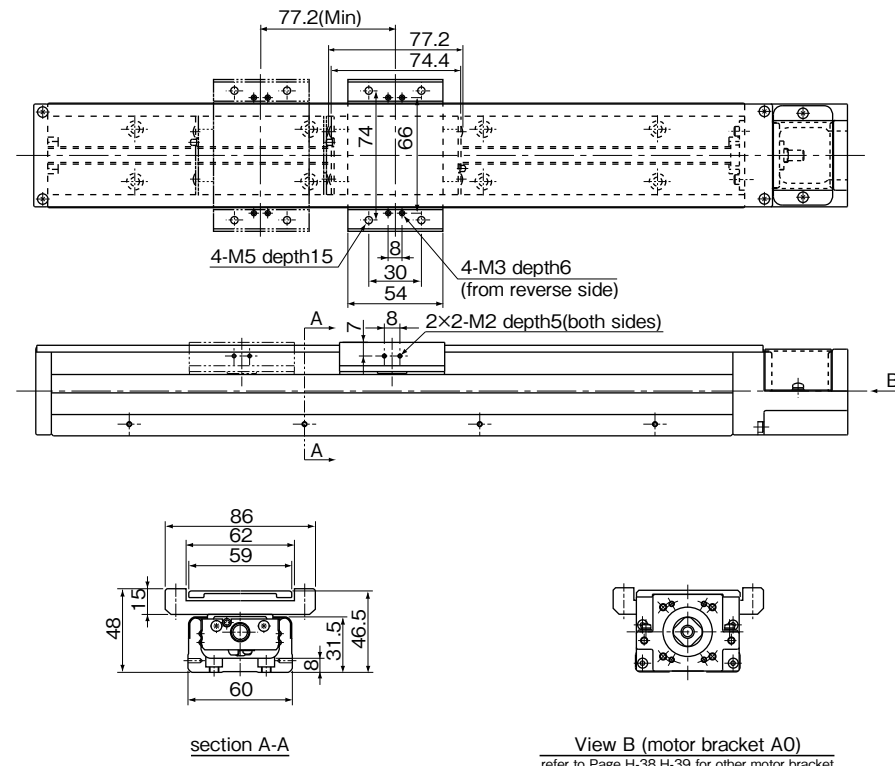
### BG33 –Without Top Cover–

- A (1 long block)
- B (2 long blocks in close contact)



### BG33 –With Top Cover–

- A (1 long block)
- B (2 long blocks in close contact)



part number <sup>※3※4</sup>	stroke limit mm <sup>※1</sup>	dimensions mm					block mass kg <sup>※2</sup>		total mass kg				
		L <sub>1</sub>	L <sub>2</sub>	N <sub>1</sub>	M <sub>1</sub> ×P <sub>1</sub>	N <sub>2</sub>	M <sub>2</sub> ×P <sub>2</sub>	without top cover	with top cover	without top cover	with top cover		
BG33□□A-150	60	150	217	25	1×100	25	1×100	0.3	0.4	1.6	1.8		
B	—	—	—	—	—	—	—	—	—	—	—		
BG33□□A-200	110	200	267	50	1×100	50	1×100	0.3	0.4	2	2.1		
B	—	—	—	—	—	—	—	—	—	—	—		
BG33□□A-300	210	300	367	50	2×100	50	2×100	0.3	0.4	2.6	2.8		
B	133							0.6	0.8	2.9	3.2		
BG33□□A-400	310	400	467					3×100	3×100	0.3	0.4	3.2	3.5
B	233									0.6	0.8	3.6	3.9
BG33□□A-500	410	500	567					4×100	4×100	0.3	0.4	3.9	4.2
B	333									0.6	0.8	4.2	4.6
BG33□□A-600	510	600	667	5×100	5×100	0.3	0.4	4.6	4.9				
B	433					0.6	0.8	4.9	5.3				

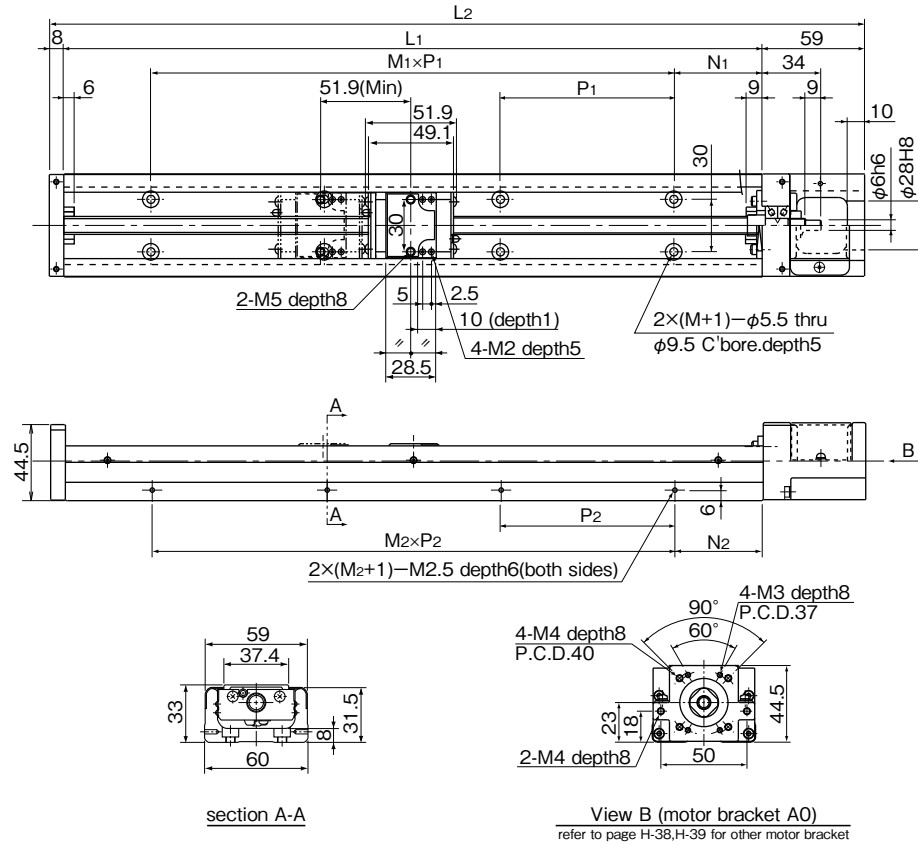
※1 : Stroke limit is a drive distance between both ends of the dampers.  
 ※2 : Mass stated "with top cover" includes mass of sub tables.  
 ※3 : For B type (2 long blocks), drive block is located closest to motor bracket side.  
 ※4 : □ is ball screw lead.

inertia (reference values) unit : kg · m<sup>2</sup>

part number	rail length mm	long block			
		without top cover		with top cover	
		A 1 block	B 2 block	A 1 block	B 2 block
BG3305	150	1.64×10 <sup>-6</sup>	—	1.71×10 <sup>-6</sup>	—
	200	2.02×10 <sup>-6</sup>	—	2.09×10 <sup>-6</sup>	—
	300	2.79×10 <sup>-6</sup>	2.99×10 <sup>-6</sup>	2.86×10 <sup>-6</sup>	3.13×10 <sup>-6</sup>
	400	3.55×10 <sup>-6</sup>	3.75×10 <sup>-6</sup>	3.62×10 <sup>-6</sup>	3.89×10 <sup>-6</sup>
	500	4.32×10 <sup>-6</sup>	4.52×10 <sup>-6</sup>	4.39×10 <sup>-6</sup>	4.66×10 <sup>-6</sup>
	600	5.08×10 <sup>-6</sup>	5.28×10 <sup>-6</sup>	5.15×10 <sup>-6</sup>	5.42×10 <sup>-6</sup>
BG3310	150	2.19×10 <sup>-6</sup>	—	2.47×10 <sup>-6</sup>	—
	200	2.57×10 <sup>-6</sup>	—	2.85×10 <sup>-6</sup>	—
	300	3.34×10 <sup>-6</sup>	4.14×10 <sup>-6</sup>	3.61×10 <sup>-6</sup>	4.69×10 <sup>-6</sup>
	400	4.10×10 <sup>-6</sup>	4.90×10 <sup>-6</sup>	4.38×10 <sup>-6</sup>	5.46×10 <sup>-6</sup>
	500	4.87×10 <sup>-6</sup>	5.67×10 <sup>-6</sup>	5.15×10 <sup>-6</sup>	6.22×10 <sup>-6</sup>
	600	5.63×10 <sup>-6</sup>	6.43×10 <sup>-6</sup>	5.91×10 <sup>-6</sup>	6.99×10 <sup>-6</sup>
BG3320	150	5.94×10 <sup>-6</sup>	—	7.06×10 <sup>-6</sup>	—
	200	6.74×10 <sup>-6</sup>	—	7.85×10 <sup>-6</sup>	—
	300	8.33×10 <sup>-6</sup>	1.15×10 <sup>-5</sup>	9.44×10 <sup>-6</sup>	1.38×10 <sup>-5</sup>
	400	9.91×10 <sup>-6</sup>	1.31×10 <sup>-5</sup>	1.10×10 <sup>-5</sup>	1.53×10 <sup>-5</sup>
	500	1.15×10 <sup>-5</sup>	1.47×10 <sup>-5</sup>	1.26×10 <sup>-5</sup>	1.69×10 <sup>-5</sup>
	600	1.31×10 <sup>-5</sup>	1.63×10 <sup>-5</sup>	1.42×10 <sup>-5</sup>	1.85×10 <sup>-5</sup>

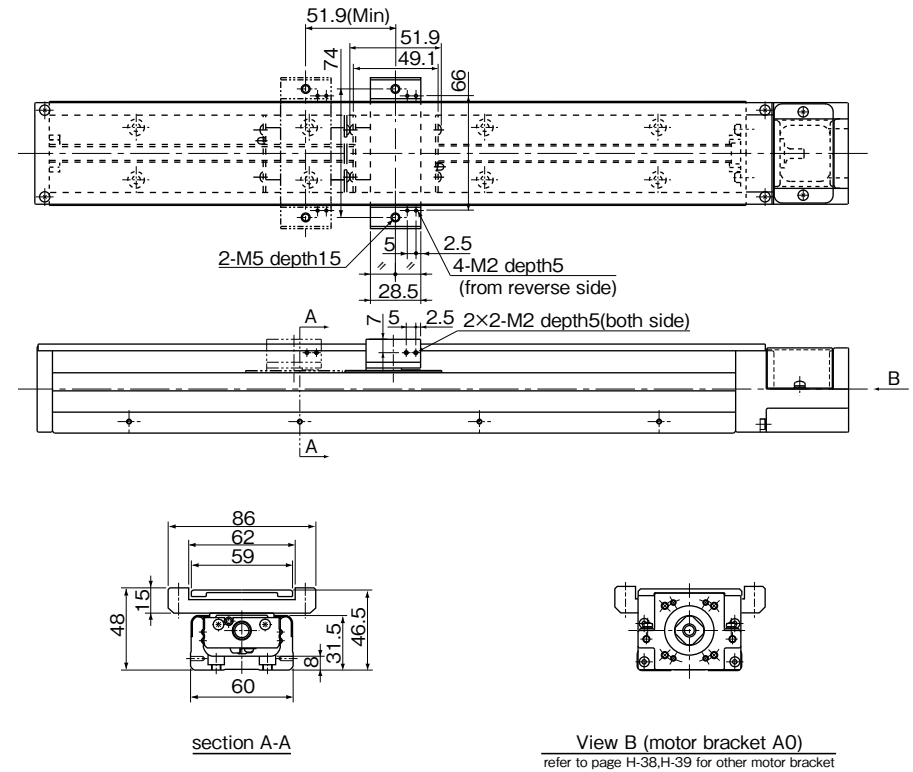
**BG33 –Without Top Cover–**

C (1 short block)  
D (2 short blocks in close contact)



**BG33 –With Top Cover–**

C (1 short block)  
D (2 short blocks in close contact)



part number <sup>※3※4</sup>	stroke limit mm <sup>※1</sup>	dimensions mm					block mass kg <sup>※2</sup>		total mass kg		
		L <sub>1</sub>	L <sub>2</sub>	N <sub>1</sub>	M <sub>1</sub> ×P <sub>1</sub>	N <sub>2</sub>	M <sub>2</sub> ×P <sub>2</sub>	without top cover	with top cover	without top cover	with top cover
BG33□□C-150	85	150	217	25	1×100	25	1×100	0.15	0.2	1.5	1.6
	34							0.3	0.4	1.7	1.9
BG33□□C-200	135	200	267	50	2×100	50	2×100	0.15	0.2	1.8	2
	84							0.3	0.4	2	2.2
BG33□□C-300	235	300	367	3×100	50	3×100	3×100	0.15	0.2	3.1	3.3
	184							0.3	0.4	3.3	3.5
BG33□□C-400	435	400	467	4×100	50	4×100	4×100	0.15	0.2	3.8	4
	384							0.3	0.4	3.9	4.2
BG33□□C-600	535	600	667	5×100	50	5×100	5×100	0.15	0.2	4.4	4.7
	484							0.3	0.4	4.6	4.9

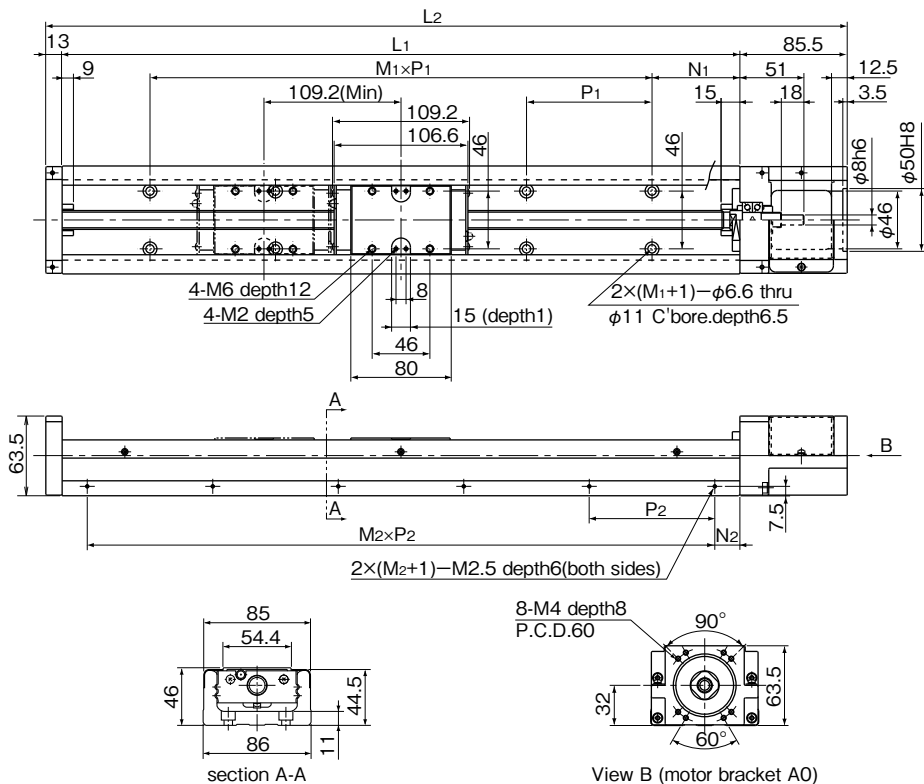
※1: Stroke limit is a drive distance between both ends of the dampers.  
 ※2: Mass stated "with top cover" includes mass of sub tables.  
 ※3: For D type (2 short blocks), drive block is located closest to motor bracket side.  
 ※4: □ is ball screw lead.  
 ※5: Ball screw lead of 20mm is not available for BG33 short block type.

inertia (reference values) unit: kg · m<sup>2</sup>

part number	rail length mm	short block			
		without top cover		with top cover	
		C	D	C	D
BG3305	150	1.56×10 <sup>-6</sup>	1.64×10 <sup>-6</sup>	1.60×10 <sup>-6</sup>	1.71×10 <sup>-6</sup>
	200	1.94×10 <sup>-6</sup>	2.03×10 <sup>-6</sup>	1.98×10 <sup>-6</sup>	2.10×10 <sup>-6</sup>
	300	2.71×10 <sup>-6</sup>	2.79×10 <sup>-6</sup>	2.75×10 <sup>-6</sup>	2.86×10 <sup>-6</sup>
	400	3.48×10 <sup>-6</sup>	3.56×10 <sup>-6</sup>	3.51×10 <sup>-6</sup>	3.63×10 <sup>-6</sup>
	500	4.24×10 <sup>-6</sup>	4.32×10 <sup>-6</sup>	4.28×10 <sup>-6</sup>	4.39×10 <sup>-6</sup>
	600	5.01×10 <sup>-6</sup>	5.09×10 <sup>-6</sup>	5.04×10 <sup>-6</sup>	5.16×10 <sup>-6</sup>
BG3310	150	1.88×10 <sup>-6</sup>	2.21×10 <sup>-6</sup>	2.02×10 <sup>-6</sup>	2.49×10 <sup>-6</sup>
	200	2.27×10 <sup>-6</sup>	2.59×10 <sup>-6</sup>	2.40×10 <sup>-6</sup>	2.87×10 <sup>-6</sup>
	300	3.03×10 <sup>-6</sup>	3.36×10 <sup>-6</sup>	3.17×10 <sup>-6</sup>	3.64×10 <sup>-6</sup>
	400	3.80×10 <sup>-6</sup>	4.12×10 <sup>-6</sup>	3.94×10 <sup>-6</sup>	4.40×10 <sup>-6</sup>
	500	4.56×10 <sup>-6</sup>	4.89×10 <sup>-6</sup>	4.70×10 <sup>-6</sup>	5.17×10 <sup>-6</sup>
	600	5.33×10 <sup>-6</sup>	5.65×10 <sup>-6</sup>	5.47×10 <sup>-6</sup>	5.93×10 <sup>-6</sup>

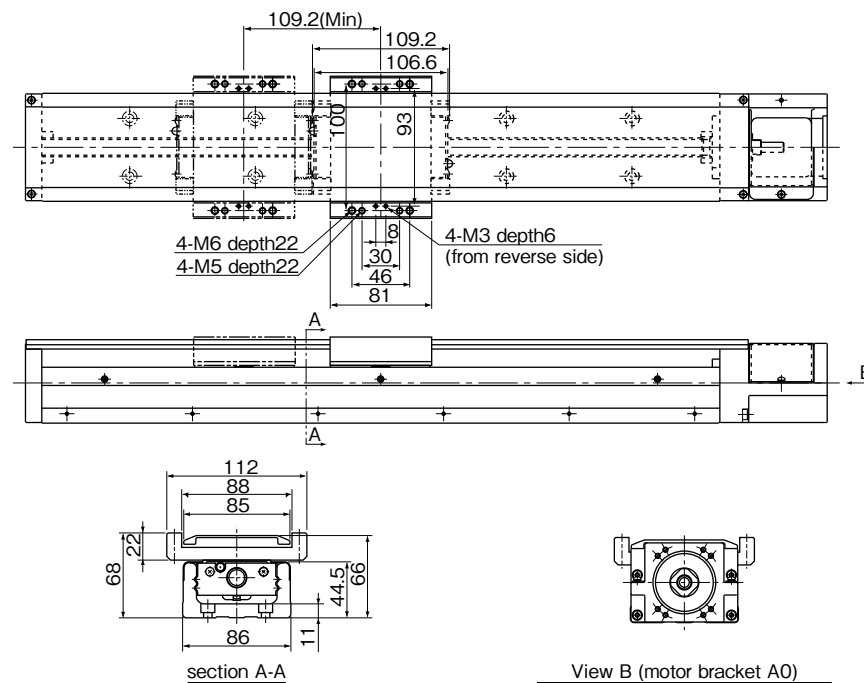
**BG46** –Without Top Cover–

- A (1 long block)
- B (2 long blocks in close contact)



**BG46** –With Top Cover–

- A (1 long block)
- B (2 long blocks in close contact)



part number <sup>※3※4</sup>	stroke limit mm <sup>※1</sup>	dimensions mm		N <sub>1</sub>		N <sub>2</sub>	M <sub>2</sub> ×P <sub>2</sub>		block mass kg <sup>※2</sup>		total mass kg	
		L <sub>1</sub>	L <sub>2</sub>	M <sub>1</sub> ×P <sub>1</sub>	M <sub>2</sub> ×P <sub>2</sub>		without top cover	with top cover	without top cover	with top cover		
BG46□□A-340	209	340	438.5	2×100	3×100	20	3×100	0.9	1.2	6.5	7	
	100							1.8	2.4	7.5	8	
BG46□□A-440	309	440	538.5	3×100	4×100	20	4×100	0.9	1.2	8	8.5	
	200							1.8	2.4	8.5	9.5	
BG46□□A-540	409	540	638.5	4×100	5×100	20	5×100	0.9	1.2	9	10	
	300							1.8	2.4	10	11	
BG46□□A-640	509	640	738.5	5×100	6×100	20	6×100	0.9	1.2	10.5	11	
	400							1.8	2.4	11.5	12.5	
BG46□□A-740	609	740	838.5	6×100	7×100	20	7×100	0.9	1.2	12	12.5	
	500							1.8	2.4	13	14	
BG46□□A-840	709	840	938.5	7×100	8×100	20	8×100	0.9	1.2	13	14	
	600							1.8	2.4	14	15.5	
BG46□□A-940	809	940	1,038.5	8×100	9×100	20	9×100	0.9	1.2	14.5	15.5	
	700							1.8	2.4	15.5	16.5	
BG46□□A-1040	909	1,040	1,138.5	9×100	10×100	20	10×100	0.9	1.2	16	17	
	800							1.8	2.4	17	18	
BG46□□A-1140	1,009	1,140	1,238.5	10×100	11×100	20	11×100	0.9	1.2	17.5	18.5	
	900							1.8	2.4	18	19.5	
BG46□□A-1240	1,109	1,240	1,338.5	11×100	12×100	20	12×100	0.9	1.2	18.5	19.5	
	1,000							1.8	2.4	19.5	21	

※1: Stroke limit is a drive distance between both ends of the dampers.  
 ※2: Mass stated "with top cover" includes mass of sub tables.  
 ※3: For B type (2 long blocks), drive block is located closest to motor bracket side.  
 ※4: □ is ball screw lead.

inertia (reference values) unit: kg · m<sup>2</sup>

part number	rail length mm	long block			
		without top cover		with top cover	
		A 1 block	B 2 block	A 1 block	B 2 block
BG4610	340	1.79 × 10 <sup>-5</sup>	2.02 × 10 <sup>-5</sup>	1.87 × 10 <sup>-5</sup>	2.17 × 10 <sup>-5</sup>
	440	2.18 × 10 <sup>-5</sup>	2.41 × 10 <sup>-5</sup>	2.25 × 10 <sup>-5</sup>	2.56 × 10 <sup>-5</sup>
	540	2.57 × 10 <sup>-5</sup>	2.79 × 10 <sup>-5</sup>	2.64 × 10 <sup>-5</sup>	2.95 × 10 <sup>-5</sup>
	640	2.95 × 10 <sup>-5</sup>	3.18 × 10 <sup>-5</sup>	3.03 × 10 <sup>-5</sup>	3.33 × 10 <sup>-5</sup>
	740	3.34 × 10 <sup>-5</sup>	3.57 × 10 <sup>-5</sup>	3.42 × 10 <sup>-5</sup>	3.72 × 10 <sup>-5</sup>
	840	3.73 × 10 <sup>-5</sup>	3.96 × 10 <sup>-5</sup>	3.80 × 10 <sup>-5</sup>	4.11 × 10 <sup>-5</sup>
	940	4.12 × 10 <sup>-5</sup>	4.35 × 10 <sup>-5</sup>	4.19 × 10 <sup>-5</sup>	4.50 × 10 <sup>-5</sup>
	1,040	4.50 × 10 <sup>-5</sup>	4.74 × 10 <sup>-5</sup>	4.58 × 10 <sup>-5</sup>	4.88 × 10 <sup>-5</sup>
	1,140	4.89 × 10 <sup>-5</sup>	5.12 × 10 <sup>-5</sup>	4.97 × 10 <sup>-5</sup>	5.27 × 10 <sup>-5</sup>
	1,240	5.28 × 10 <sup>-5</sup>	5.51 × 10 <sup>-5</sup>	5.35 × 10 <sup>-5</sup>	5.66 × 10 <sup>-5</sup>
BG4620	340	2.47 × 10 <sup>-5</sup>	3.39 × 10 <sup>-5</sup>	2.78 × 10 <sup>-5</sup>	3.99 × 10 <sup>-5</sup>
	440	2.86 × 10 <sup>-5</sup>	3.77 × 10 <sup>-5</sup>	3.17 × 10 <sup>-5</sup>	4.38 × 10 <sup>-5</sup>
	540	3.25 × 10 <sup>-5</sup>	4.16 × 10 <sup>-5</sup>	3.55 × 10 <sup>-5</sup>	4.77 × 10 <sup>-5</sup>
	640	3.63 × 10 <sup>-5</sup>	4.55 × 10 <sup>-5</sup>	3.94 × 10 <sup>-5</sup>	5.16 × 10 <sup>-5</sup>
	740	4.03 × 10 <sup>-5</sup>	4.94 × 10 <sup>-5</sup>	4.33 × 10 <sup>-5</sup>	5.55 × 10 <sup>-5</sup>
	840	4.41 × 10 <sup>-5</sup>	5.34 × 10 <sup>-5</sup>	4.71 × 10 <sup>-5</sup>	5.93 × 10 <sup>-5</sup>
	940	4.80 × 10 <sup>-5</sup>	5.72 × 10 <sup>-5</sup>	5.09 × 10 <sup>-5</sup>	6.32 × 10 <sup>-5</sup>
	1,040	5.19 × 10 <sup>-5</sup>	6.11 × 10 <sup>-5</sup>	5.48 × 10 <sup>-5</sup>	6.71 × 10 <sup>-5</sup>
	1,140	5.57 × 10 <sup>-5</sup>	6.50 × 10 <sup>-5</sup>	5.87 × 10 <sup>-5</sup>	7.09 × 10 <sup>-5</sup>
	1,240	5.96 × 10 <sup>-5</sup>	6.89 × 10 <sup>-5</sup>	6.26 × 10 <sup>-5</sup>	7.48 × 10 <sup>-5</sup>

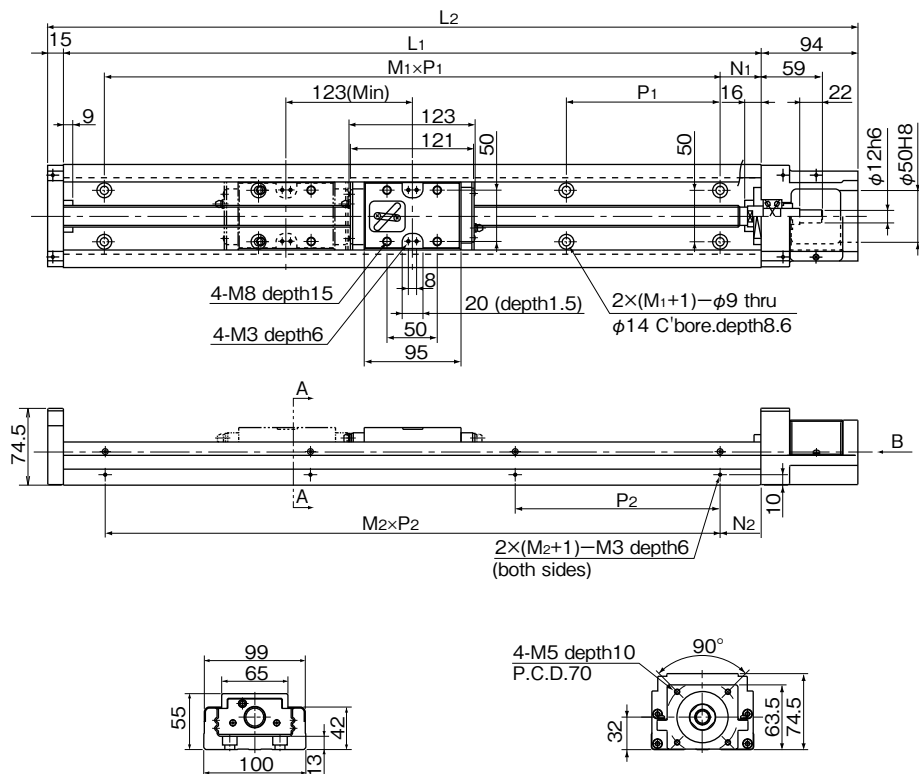
View B (motor bracket A0)  
refer to page H-40,H-41 for other motor bracket





### BG55 –Without Top Cover–

- A (1 long block)
- B (2 long blocks in close contact)

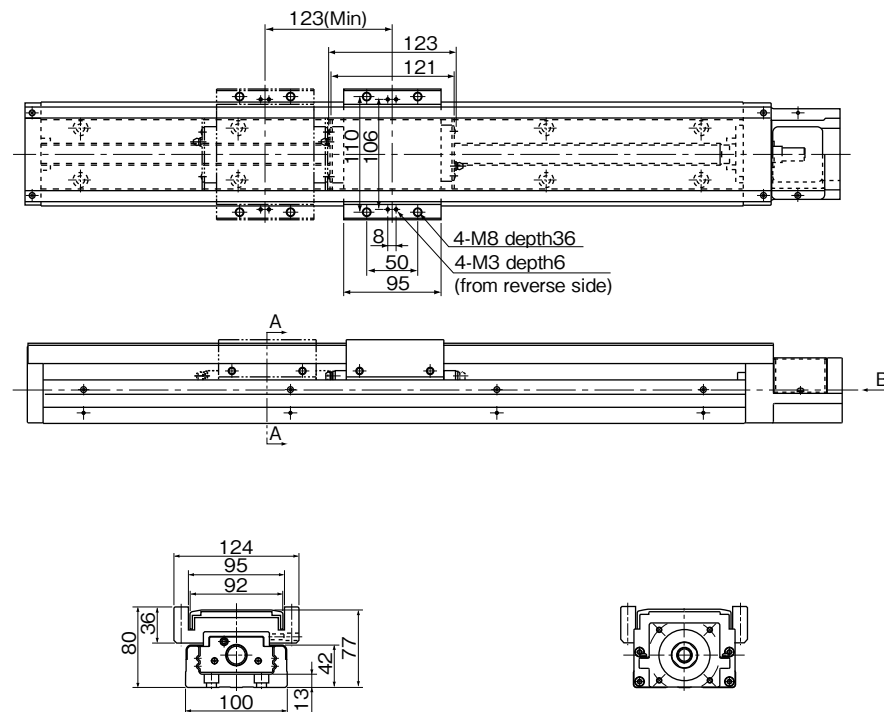


section A-A

View B (motor bracket A0)  
refer to page H-42,H-43 for other motor bracket

### BG55 –With Top Cover–

- A (1 long block)
- B (2 long blocks in close contact)



section A-A

View B (motor bracket A0)  
refer to page H-42,H-43 for other motor bracket

part number <sup>※3※4</sup>	stroke limit mm <sup>※1</sup>	dimensions mm					block mass kg <sup>※2</sup>		total mass kg		
		L <sub>1</sub>	L <sub>2</sub>	N <sub>1</sub>	M <sub>1</sub> ×P <sub>1</sub>	N <sub>2</sub>	M <sub>2</sub> ×P <sub>2</sub>	without top cover	with top cover	without top cover	with top cover
BG55□□A-980	834	980	1,089	40	6×150	90	4×200	1.7	2.3	20	21
	711							3.4	4.6	22	24
BG55□□A-1080	934	1,080	1,189	15	7×150	40	5×200	1.7	2.3	22	23
	811							3.4	4.6	24	26
BG55□□A-1180	1,034	1,180	1,289	65	90	6×200	6×200	1.7	2.3	23	25
	911							3.4	4.6	25	27
BG55□□A-1280	1,134	1,280	1,389	40	8×150	40	6×200	1.7	2.3	25	27
	1,011							3.4	4.6	27	29
BG55□□A-1380	1,234	1,380	1,489	15	9×150	90	6×200	1.7	2.3	27	29
	1,111							3.4	4.6	29	31

※1: Stroke limit is a drive distance between both ends of the dampers.  
 ※2: Mass stated "with top cover" includes mass of sub tables.  
 ※3: For B type (2 long blocks), drive block is located closest to motor bracket side.  
 ※4: □ is ball screw lead.

inertia (reference values) unit: kg · m<sup>2</sup>

part number	rail length mm	long block			
		without top cover		with top cover	
		A 1 block	B 2 block	A 1 block	B 2 block
BG5520	980	1.46 × 10 <sup>-4</sup>	1.64 × 10 <sup>-4</sup>	1.52 × 10 <sup>-4</sup>	1.76 × 10 <sup>-4</sup>
	1,080	1.59 × 10 <sup>-4</sup>	1.76 × 10 <sup>-4</sup>	1.65 × 10 <sup>-4</sup>	1.88 × 10 <sup>-4</sup>
	1,180	1.71 × 10 <sup>-4</sup>	1.88 × 10 <sup>-4</sup>	1.77 × 10 <sup>-4</sup>	2.00 × 10 <sup>-4</sup>
	1,280	1.83 × 10 <sup>-4</sup>	2.00 × 10 <sup>-4</sup>	1.89 × 10 <sup>-4</sup>	2.12 × 10 <sup>-4</sup>
	1,380	1.95 × 10 <sup>-4</sup>	2.13 × 10 <sup>-4</sup>	2.01 × 10 <sup>-4</sup>	2.25 × 10 <sup>-4</sup>

MOTOR BRACKET CONFIGURATIONS & APPLICABLE MOTORS

NB provides optional motor brackets to easily install most popular motors.

Table H-9 (1) Applicable Motors

Applicable motors			Output flange	BG15	BG20	BG26	BG33	BG46	BG55	
				P.H-32 ~33	P.H-34 ~35	P.H-36 ~37	P.H-38 ~39	P.H-40 ~41	P.H-42 ~43	
AC Servo motor	Panasonic	E	MUMA5A	50W	-	AA	AA	B2	-	-
			MUMA01	100W	-	AA	AA	B2	-	-
			MUMA02	200W	-	-	-	A7	A2	-
			MUMA04	400W	-	-	-	-	-	-
		A4	MSMD5A	50W	-	A3	A3	A2	C0	-
			MSMD01	100W	-	-	-	A2	C0	-
			MSMD02	200W	-	-	-	A7	A2	-
			MSMD04	400W	-	-	-	-	-	-
		MSMD08	750W	-	-	-	-	A3	A2	
	A5	MSME5A	50W	-	A3	A3	A2	C0	-	
		MSME01	100W	-	-	-	-	-	-	
		MSME02	200W	-	-	-	A7	A2	-	
		MSME04	400W	-	-	-	-	-	-	
	MSME08	750W	-	-	-	-	A3	A2		
	YASKAWA ELECTRIC	J2-Jr	HC-AQ0135	10W	-	-	-	-	-	-
			HC-AQ0235	20W	A1	A8	A8	-	-	-
			HC-AQ0335	30W	-	-	-	-	-	-
			J4	HG-KR(MR)053	50W	-	A1	A1	A1	B0
HG-KR(MR)13				100W	-	-	-	A6	A1	A0
HG-KR(MR)23				200W	-	-	-	-	-	-
HG-KR(MR)43				400W	-	-	-	-	A4	A1
HG-KR(MR)73			750W	-	-	-	-	-	-	
J3			HF-KP(MP)053	50W	-	A1	A1	A1	B0	-
		HF-KP(MP)13	100W	-	-	-	A6	A1	A0	
		HF-KP(MP)23	200W	-	-	-	-	-	-	
		HF-KP(MP)43	400W	-	-	-	-	A4	A1	
HF-KP(MP)73		750W	-	-	-	-	-	-		
YASKAWA ELECTRIC		Σ-V mini	SGMMV-A1	10W	-	-	-	-	-	-
			SGMMV-A2	20W	A2	A9	A9	-	-	-
			SGMMV-A3	30W	-	-	-	-	-	-
		Σ-V	SGMJV(SGMAV)-A5	50W	-	A1	A1	A1	B0	-
			SGMJV(SGMAV)-01	100W	-	-	-	-	-	-
	SGMAV-C2		150W	-	-	-	-	-	-	
	SGMJV(SGMAV)-02		200W	-	-	-	A6	A1	A0	
	SGMJV(SGMAV)-04		400W	-	-	-	-	-	-	
	SGMAV-06		550W	-	-	-	-	-	-	
	SGMJV(SGMAV)-08		750W	-	-	-	-	A4	A1	
	SGMAS-A5		50W	-	A1	A1	A1	B0	-	
	Σ-III	SGMAS-01	100W	-	-	-	-	-	-	
		SGMAS-C2	150W	-	-	-	-	-	-	
		SGMAS-02	200W	-	-	-	A6	A1	A0	
		SGMAS-04	400W	-	-	-	-	-	-	
	SGMAS-08	750W	-	-	-	-	A4	A1		

Table H-9 (2) Applicable Motors

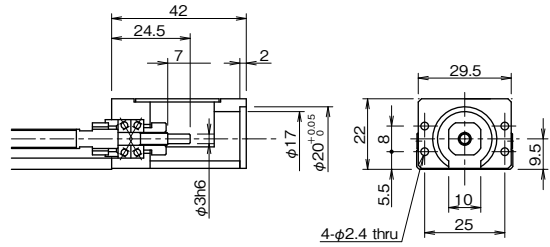
Applicable motors			Output flange	BG15	BG20	BG26	BG33	BG46	BG55		
				P.H-32 ~33	P.H-34 ~35	P.H-36 ~37	P.H-38 ~39	P.H-40 ~41	P.H-42 ~43		
AC Servo motor	SANYO DENKI	Q	Q1AA04003D	30W	-	A1	A1	A1	B0	-	
			Q1AA04005D	50W	-	-	-	-	-	-	
			Q1AA04010D	100W	-	-	-	A6	A1	A0	
			Q1AA06020D	200W	-	-	-	-	-	-	
			Q1AA06040D	400W	-	-	-	-	-	-	
		Q1AA07075D	750W	-	-	-	-	A4	A1		
		R	R2AA04005	50W	-	A1	A1	A1	B0	-	
			R2AA04010	100W	-	-	-	A6	A1	A0	
			R2AA06020	200W	-	-	-	-	-	-	
	R2AA06040		400W	-	-	-	-	-	-		
	R2AA08075	750W	-	-	-	-	A4	A1			
	Stepper motor	ORIENTAL MOTOR	α step	ASC3*	□28	A3	A6	A6	-	-	-
				AS46,ASC46	□42	-	A5	A5	B1	-	-
				AS6*,ASC66	□60	-	-	-	A8	D0	-
				AS9*	□85	-	-	-	-	D1	A4
				AR4,ARL4	□42	-	A5	A5	B1	-	-
				AR6,ARL6	□60	-	-	-	-	D0	-
			AR9,ARL9	□85	-	-	-	-	D1	A4	
5 phase motor			CSK51,CRK51	□20	A5	-	-	-	-	-	
			CSK52,CRK52	□28	A3	A6	A6	-	-	-	
		CSK54,CRK54	□42	-	A5	A5	B1	-	-		
		CSK56,CRK56	□60	-	-	-	A8	D0	-		
		CSK59	□85	-	-	-	-	D1	A4		
		RK54	□42	-	A5	A5	B1	-	-		
		RK56	□60	-	-	-	A8	D0	-		
		RK59	□85	-	-	-	-	D1	A4		
		RKS54	□42	-	A5	A5	B1	-	-		
RKS56		□60	-	-	-	-	D0	-			
RKS59		□85	-	-	-	-	D1	A4			
2 phase motor	PK22,CSK22	□28	A3	A6	A6	-	-	-			
	PK24,CSK24,UMK24	□42	-	A5	A5	B1	-	-			
	PK26,CSK26,UMK26	□60	-	-	-	A5	-	-			
SH528	□28	A3	A6	A6	-	-	-				
SANYO DENKI	5 phase motor	103H(F,M)55	□42	-	A5	A5	B1	-	-		
		103H(F,M)785	□60	-	-	-	A8	D0	-		
		103H(F,M)858	□85	-	-	-	-	D1	A5		
TECHNO DRIVE	5 phase motor	*K-S52*	□28	A4	-	-	-	-	-		
		*K-S54*	□42	-	A5	A5	B1	-	-		
		*K-S(M)56*	□60	-	-	-	A8	D0	-		
		*K-M(G)59*	□85	-	-	-	-	D1	A5		

NB can provide other types of motor brackets. Please contact NB for details.

# BG15

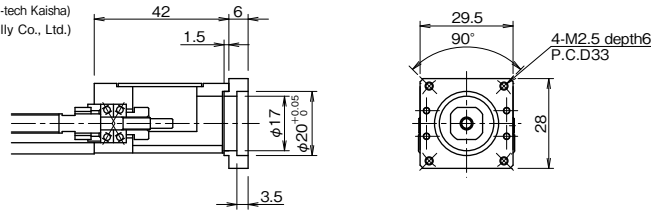
Figures inside ( ) indicates mass of the motor mount adapter plate.

## A0



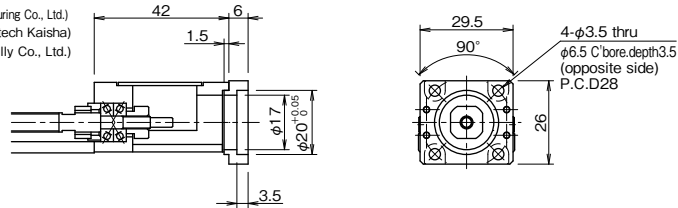
## A1 (Mass: 9g)

Recommended Coupling: XBW-15C2(Nabeya Bi-tech Kaisha)  
SFC-005DA2(Miki Pully Co., Ltd.)



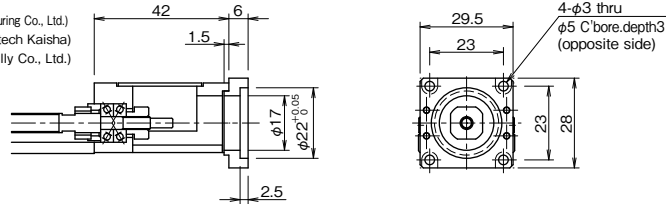
## A2 (Mass: 8g)

Recommended Coupling: LAD-15C(Sakai Manufacturing Co., Ltd.)  
XBW-15C2(Nabeya Bi-tech Kaisha)  
SFC-005DA2(Miki Pully Co., Ltd.)



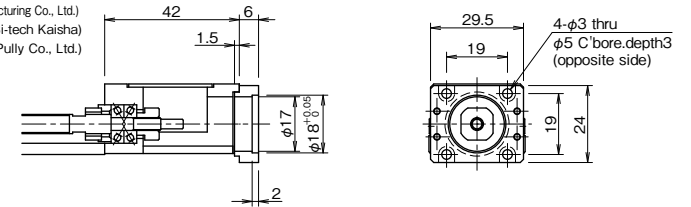
## A3 (Mass: 9g)

Recommended Coupling: LAD-15C(Sakai Manufacturing Co., Ltd.)  
XBW-15C2(Nabeya Bi-tech Kaisha)  
SFC-005DA2(Miki Pully Co., Ltd.)



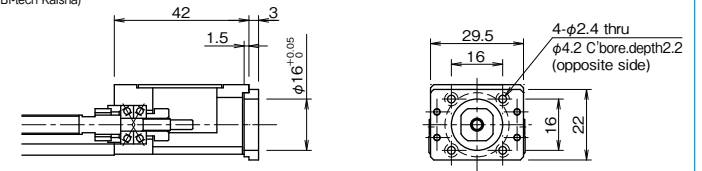
## A4 (Mass: 8g)

Recommended Coupling: LAD-15C(Sakai Manufacturing Co., Ltd.)  
XBW-15C2(Nabeya Bi-tech Kaisha)  
SFC-005DA2(Miki Pully Co., Ltd.)



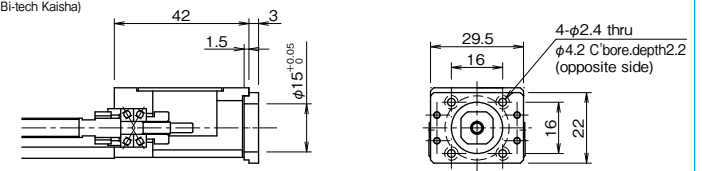
## A5 (Mass: 4g)

Recommended Coupling: XBW-15C2(Nabeya Bi-tech Kaisha)



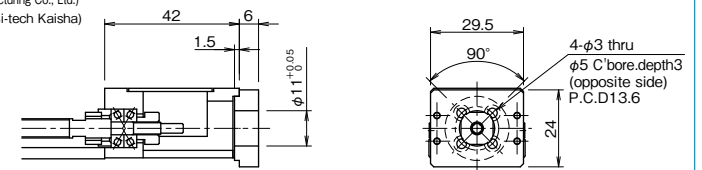
## A6 (Mass: 4g)

Recommended Coupling: XBW-15C2(Nabeya Bi-tech Kaisha)



## A7 (Mass: 11g)

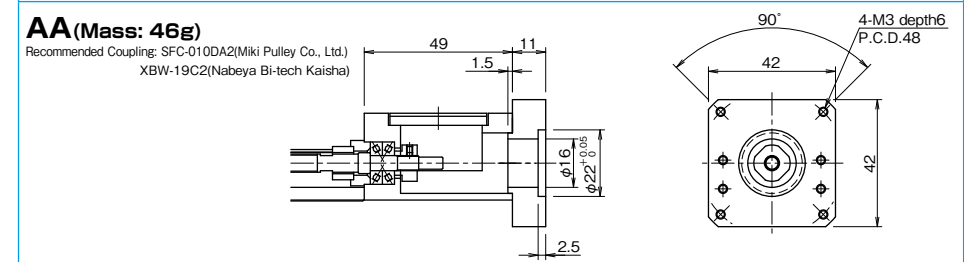
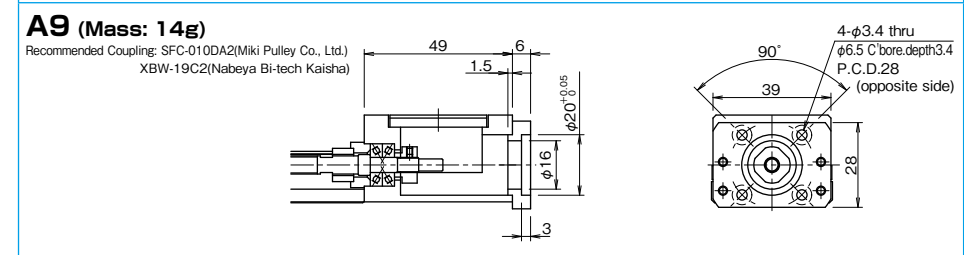
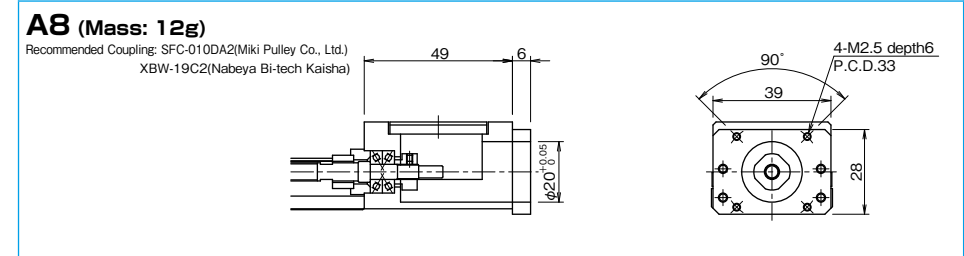
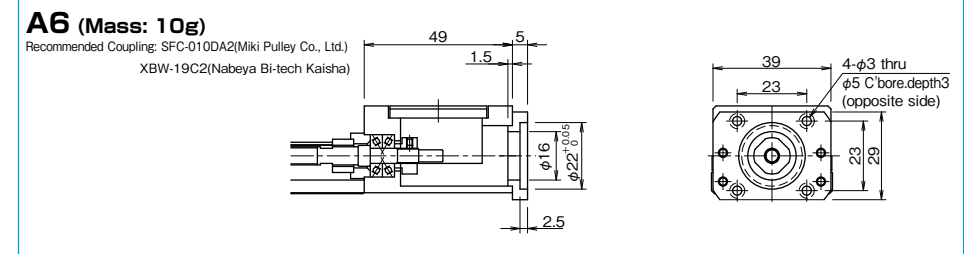
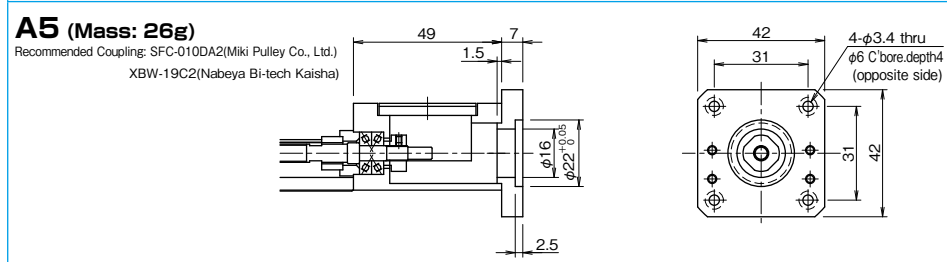
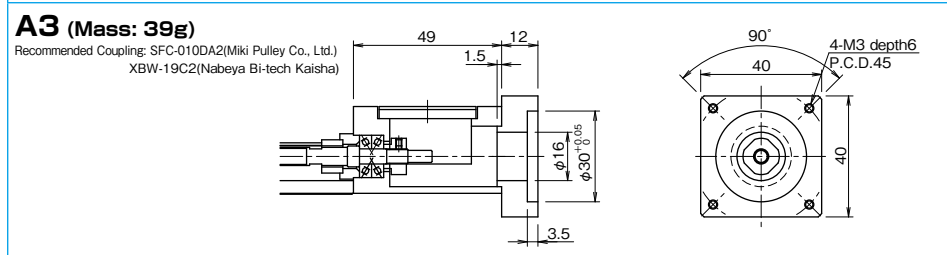
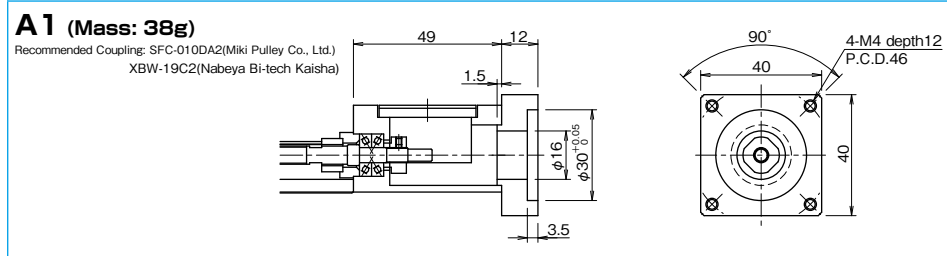
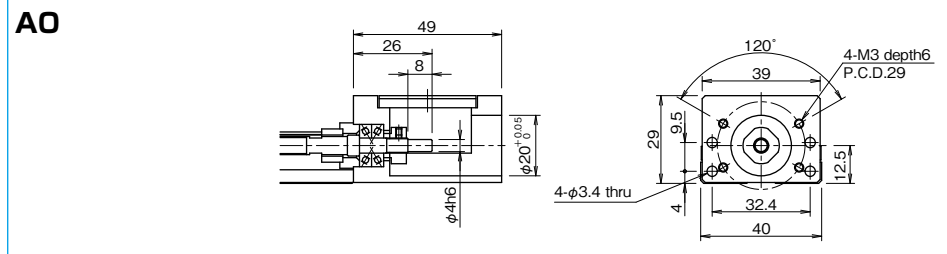
Recommended Coupling: LAD-15C(Sakai Manufacturing Co., Ltd.)  
XBW-15C2(Nabeya Bi-tech Kaisha)



Attach the motor to the motor mount adapter plate first.

# BG20

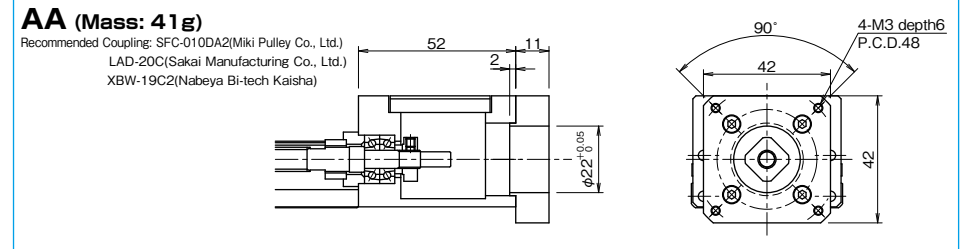
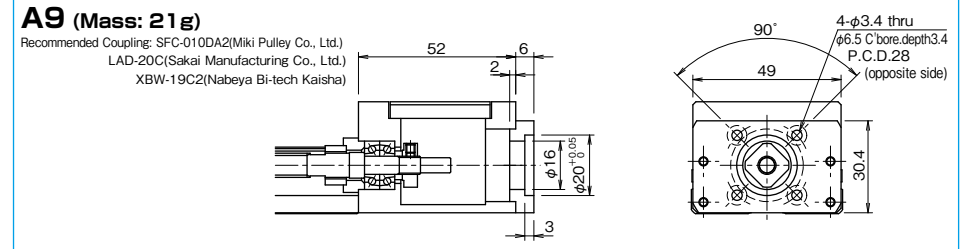
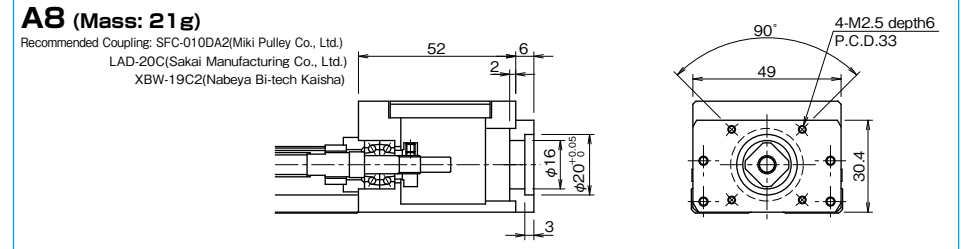
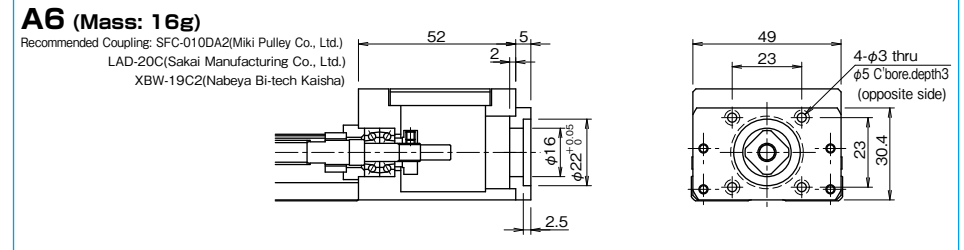
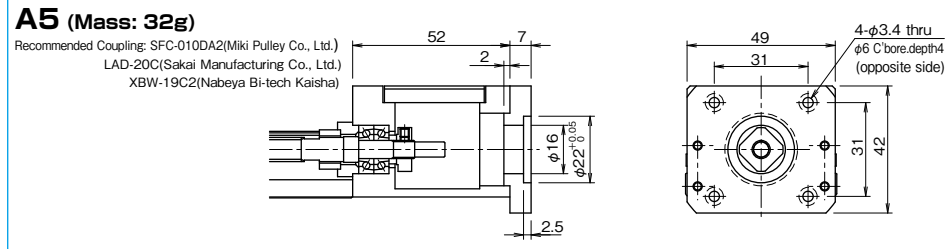
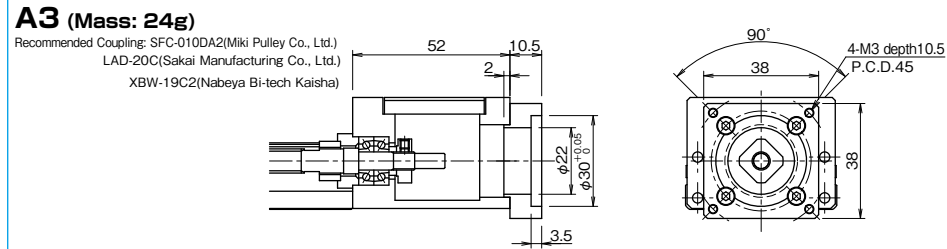
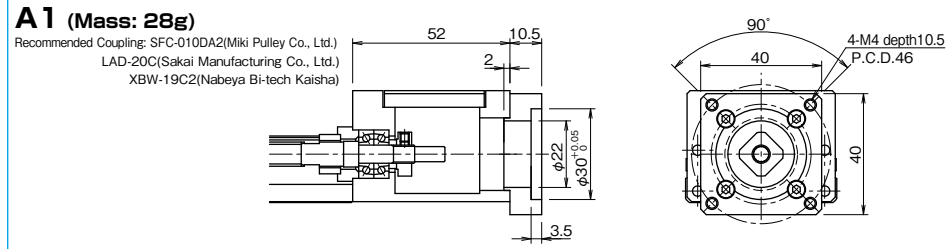
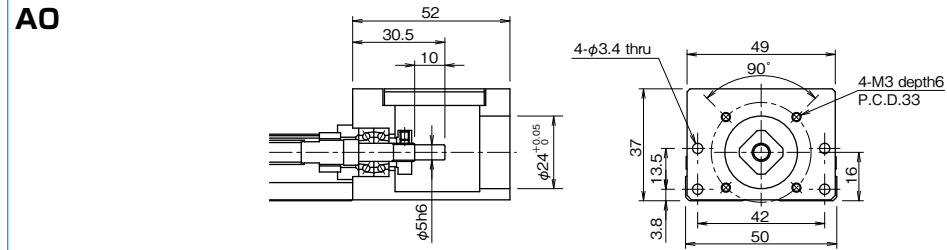
Figures inside ( ) indicates mass of the motor mount adapter plate.



For configurations A5, A6, A9 and AA, attach the motor to the motor mount adapter plate first.

# BG26

Figures inside ( ) indicates mass of the motor mount adapter plate.

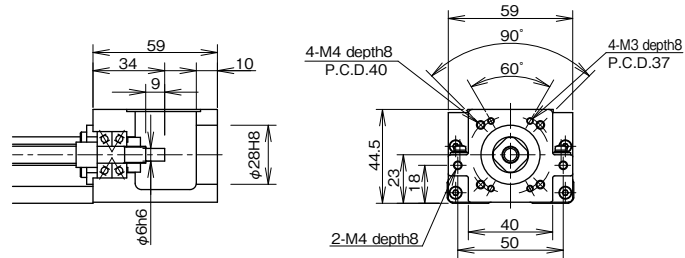


For configurations A5, A6 and A9, attach the motor to the motor mount adapter plate first.

# BG33

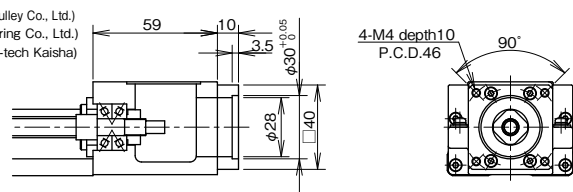
Figures inside ( ) indicates mass of the motor mount adapter plate.

## A0



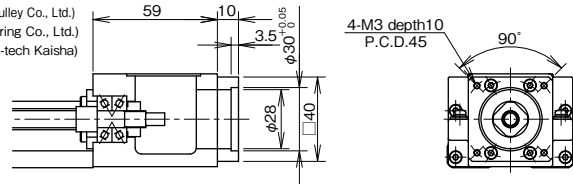
## A1 (Mass: 66g)

Recommended Coupling: SFC-020DA2(Miki Pulley Co., Ltd.)  
LAD-25C(Sakai Manufacturing Co., Ltd.)  
XBW-25C2(Nabeya Bi-tech Kaisha)



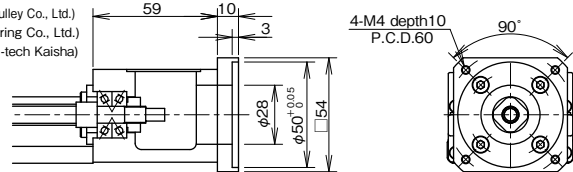
## A2 (Mass: 67g)

Recommended Coupling: SFC-020DA2(Miki Pulley Co., Ltd.)  
LAD-25C(Sakai Manufacturing Co., Ltd.)  
XBW-25C2(Nabeya Bi-tech Kaisha)



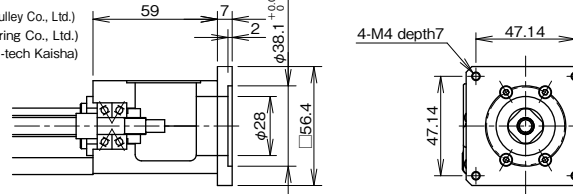
## A3 (Mass: 133g)

Recommended Coupling: SFC-020DA2(Miki Pulley Co., Ltd.)  
LAD-25C(Sakai Manufacturing Co., Ltd.)  
XBW-25C2(Nabeya Bi-tech Kaisha)



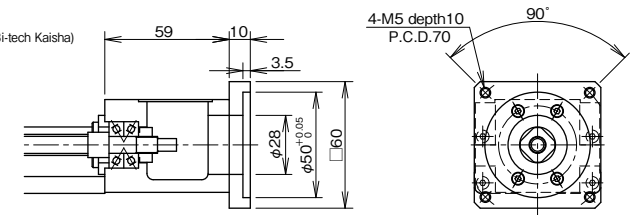
## A5 (Mass: 125g)

Recommended Coupling: SFC-020DA2(Miki Pulley Co., Ltd.)  
LAD-25C(Sakai Manufacturing Co., Ltd.)  
XBW-25C2(Nabeya Bi-tech Kaisha)



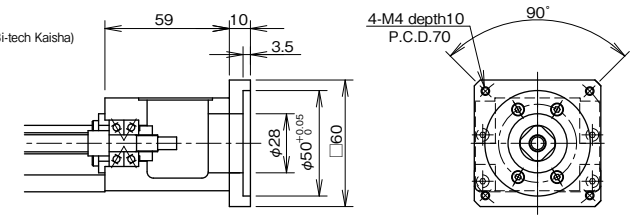
## A6 (Mass: 215g)

Recommended Coupling: XBW-27C2(Nabeya Bi-tech Kaisha)



## A7 (Mass: 215g)

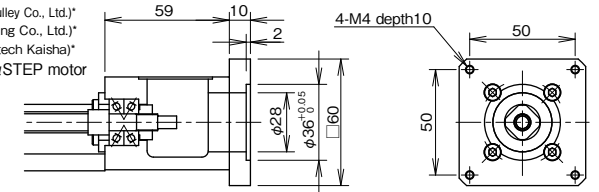
Recommended Coupling: XBW-27C2(Nabeya Bi-tech Kaisha)



## A8 (Mass: 212g)

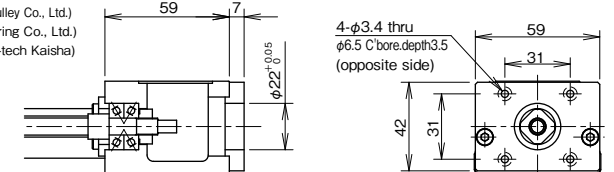
Recommended Coupling: SFC-020DA2(Miki Pulley Co., Ltd.)  
LAD-25C(Sakai Manufacturing Co., Ltd.)  
XBW-25C2(Nabeya Bi-tech Kaisha)

\*Please contact NB when you use αSTEP motor (Oriental Motor Co., Ltd.).



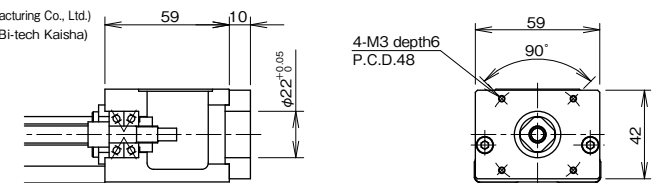
## B1 (Mass: 111g)

Recommended Coupling: SFC-010DA2(Miki Pulley Co., Ltd.)  
LAD-20C(Sakai Manufacturing Co., Ltd.)  
XBW-19C2(Nabeya Bi-tech Kaisha)



## B2 (Mass: 167g)

Recommended Coupling: LAD-25C(Sakai Manufacturing Co., Ltd.)  
XBW-19C2(Nabeya Bi-tech Kaisha)



For configurations B1 and B2, attach the motor to the motor mount adapter plate first.

# BG46

Figures inside ( ) indicates mass of the motor mount adapter plate.

**A0**  
 Recommended Coupling: SFC-020DA2(Miki Pulley Co., Ltd.)  
 LAD-25C(Sakai Manufacturing Co., Ltd.)  
 XBW-25C2(Nabeya Bi-tech Kaisha)

**A1 (Mass: 103g)**  
 Recommended Coupling: SFC-030DA2(Miki Pulley Co., Ltd.)  
 LAD-30C(Sakai Manufacturing Co., Ltd.)  
 XBW-34C3(Nabeya Bi-tech Kaisha)

**A2 (Mass: 106g)**  
 Recommended Coupling: SFC-030DA2(Miki Pulley Co., Ltd.)  
 LAD-30C(Sakai Manufacturing Co., Ltd.)  
 XBW-34C3(Nabeya Bi-tech Kaisha)

**A3 (Mass: 448g)**  
 Recommended Coupling  
 (200W-400W): SFC-030DA2(Miki Pulley Co., Ltd.)  
 XBW-34C3(Nabeya Bi-tech Kaisha)  
 (750W): SFC-040DA2(Miki Pulley Co., Ltd.)  
 XBW-39C2(Nabeya Bi-tech Kaisha)

**A4 (Mass: 628g)**  
 Recommended Coupling: SFC-040DA2(Miki Pulley Co., Ltd.)  
 XBW-39C2(Nabeya Bi-tech Kaisha)

**B0**  
 Recommended Coupling: SFC-020DA2(Miki Pulley Co., Ltd.)  
 LAD-25C(Sakai Manufacturing Co., Ltd.)  
 XBW-25C2(Nabeya Bi-tech Kaisha)

**C0**  
 Recommended Coupling: SFC-020DA2(Miki Pulley Co., Ltd.)  
 LAD-25C(Sakai Manufacturing Co., Ltd.)  
 XBW-25C2(Nabeya Bi-tech Kaisha)

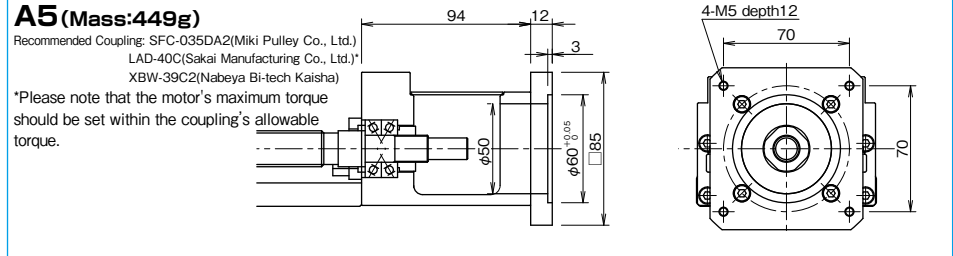
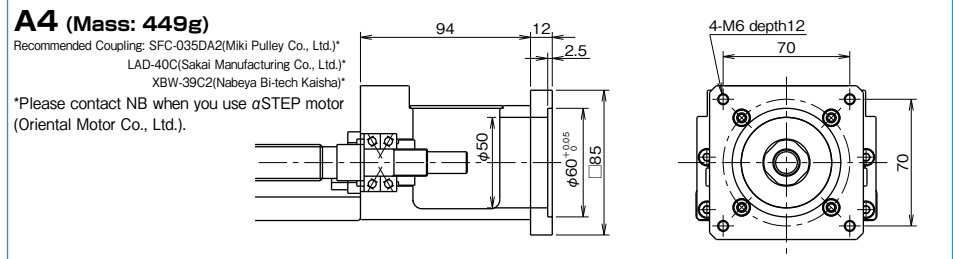
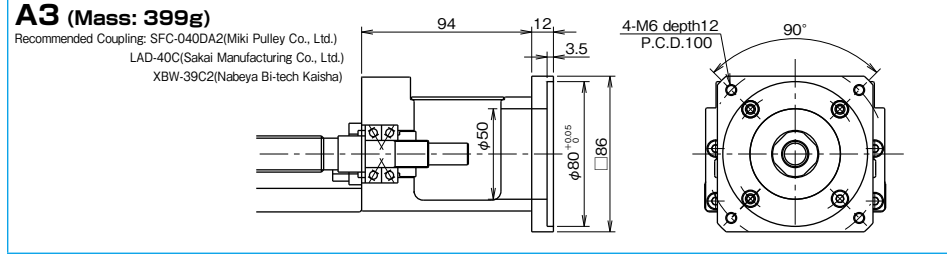
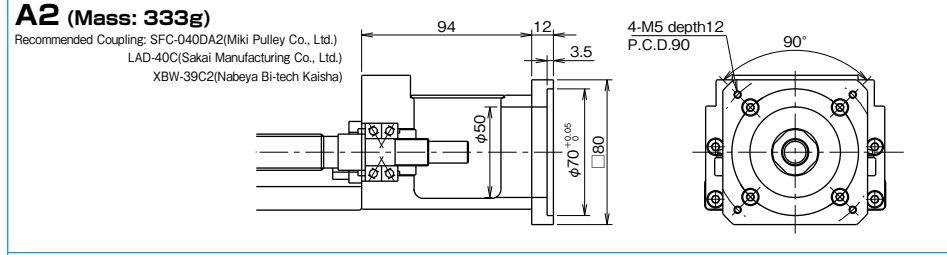
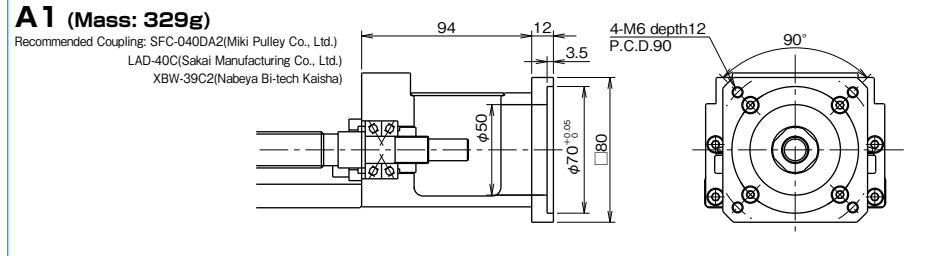
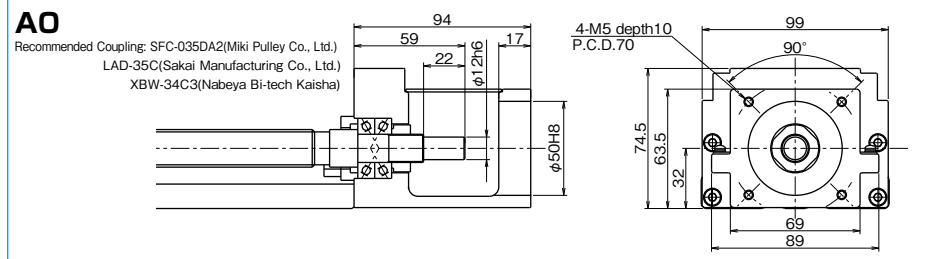
**D0**  
 Recommended Coupling: SFC-020DA2(Miki Pulley Co., Ltd.)  
 LAD-25C(Sakai Manufacturing Co., Ltd.)  
 XBW-27C2(Nabeya Bi-tech Kaisha)  
 \*Please contact NB when you use αSTEP motor (Oriental Motor Co., Ltd.).

**D1 (Mass:435g)**  
 Recommended Coupling: LAD-35C(Sakai Manufacturing Co., Ltd.)  
 XBW-34C3(Nabeya Bi-tech Kaisha)  
 \*Please contact NB when you use αSTEP motor (Oriental Motor Co., Ltd.).



# BG55

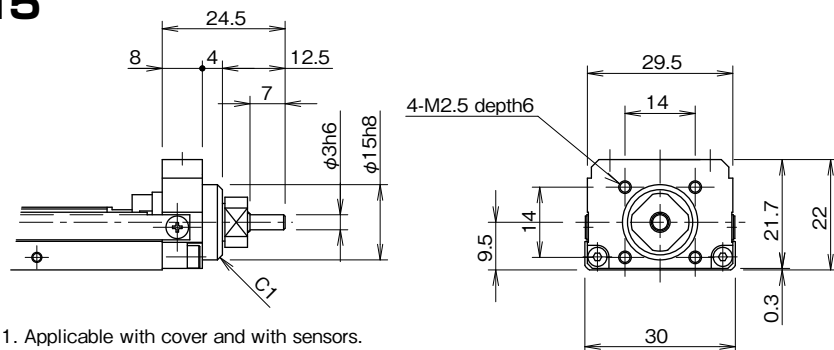
Figures inside ( ) indicates mass of the motor mount adapter plate.



**EXPOSED BRACKET R0**

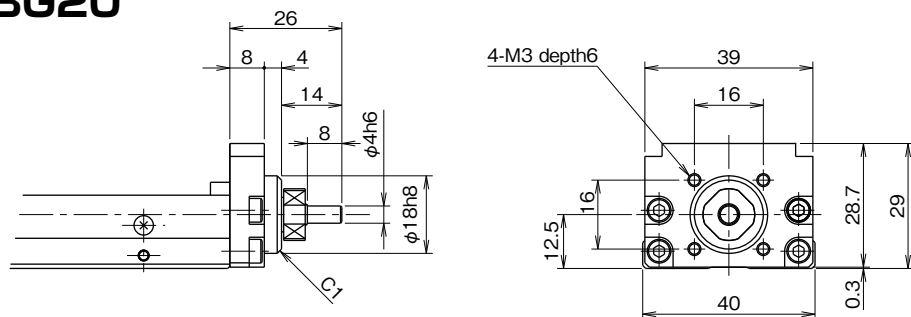
The ball screw shaft end is exposed with the exposed bracket R0 type.  
Please fabricate an original bracket in case the standard brackets are not applicable.

**BG15**



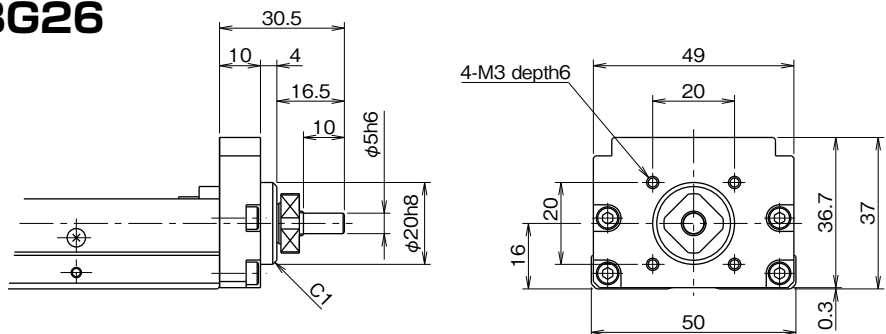
1. Applicable with cover and with sensors.
2. Mass is 0.04kg less than the mass in the table on page H-14.

**BG20**



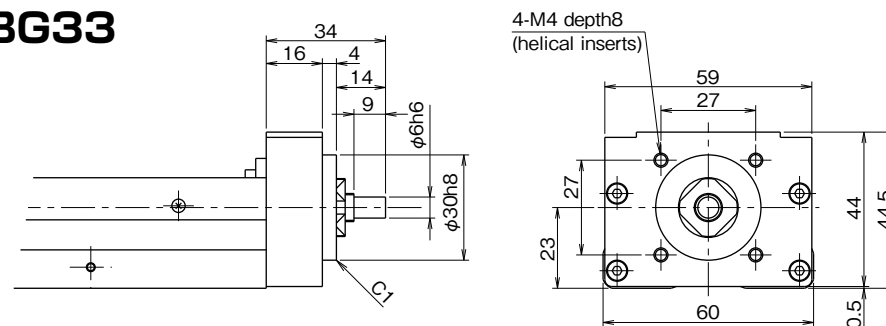
1. Applicable with cover and with sensors.
2. Mass is 0.04kg less than the mass in the table on page H-16.

**BG26**



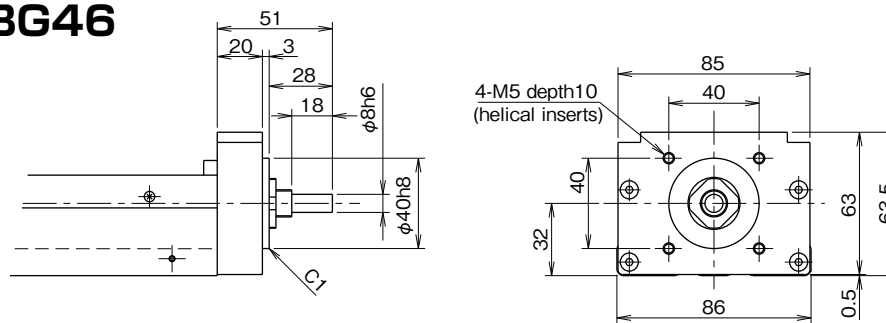
1. Applicable with cover and with sensors.
2. Mass is 0.08kg less than the mass in the table on page H-18.

**BG33**



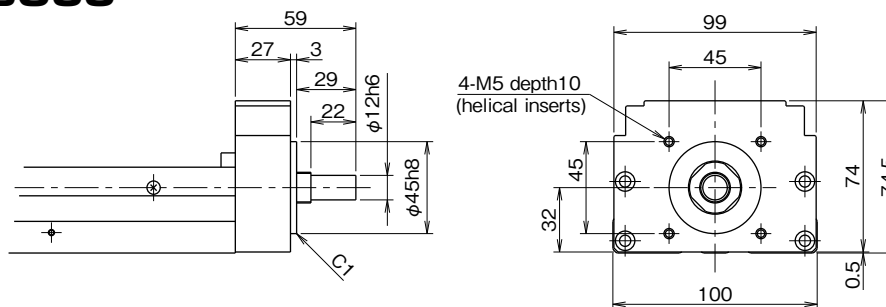
1. Applicable with cover and with sensors.
2. Mass is 0.1kg less than the mass in the table on page H-20,H-22.

**BG46**



1. Applicable with cover and with sensors.
2. Mass is 0.3kg less than the mass in the table on page H-24,H-26.

**BG55**

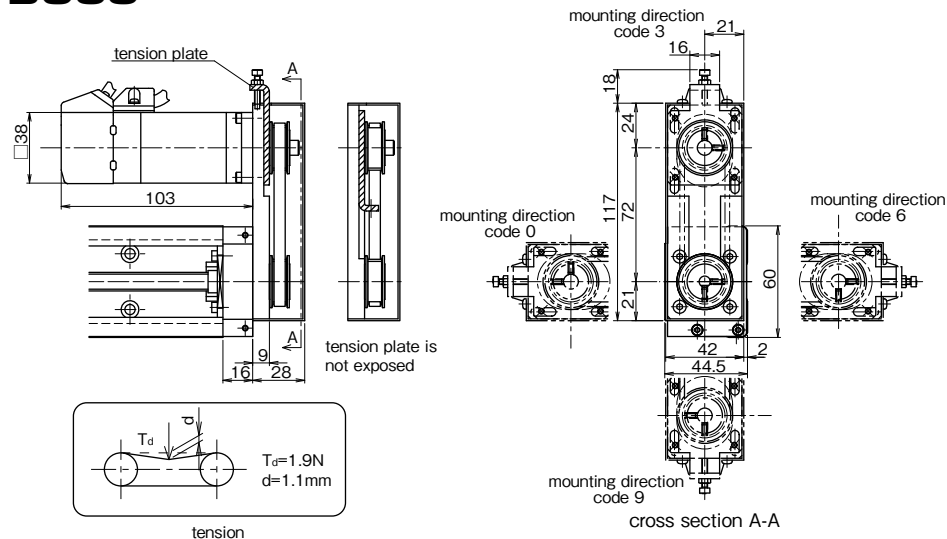


1. Applicable with cover and with sensors.
2. Mass is 0.3kg less than the mass in the table on page H-28.

RETURN PULLEY UNIT

Return pulley units in which a motor is connected with a timing belt are available for BG type. Its return structure allows the reduction of total length (available for BG33 and BG46).

BG33



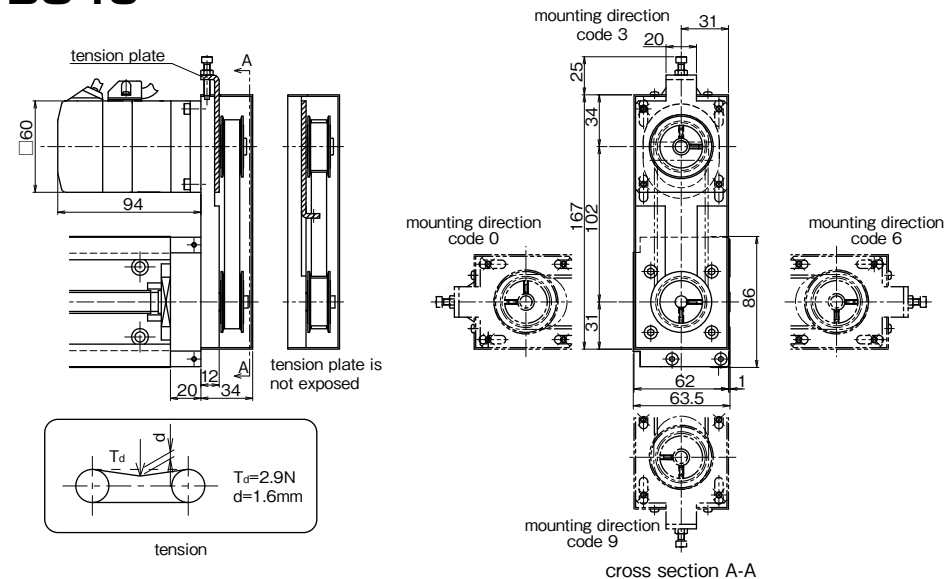
- This drawing shows RA for MSMA01(Panasonic).
- Installation position of Pulley Unit can be selected at 90° intervals (mounting direction code).
- Applicable with cover and with sensors.  
Precaution for applying H type sensors  
When the motor is positioned at direction 3 or 9, H type sensors interfere if mounted on the side of motor. H type sensors must be mounted opposite to the motor.
- Tension plate can be built in and is not exposed. (not applicable to RC)
- Mass is added 0.2kg to the mass on page H-20~23.
- Inertia is added  $2.22 \times 10^{-6} \text{kg} \cdot \text{m}^2$  to the value of Table on page H-20~23. (motor inertia not included)
- Part number structure BG33\*\*\*-\*\*\*\*/☆☆□  
☆☆: Symbol of applicable motor bracket (refer to Table H-10)  
□: Mounting direction code (refer to cross section A-A)

Table H-10 Applicable Motor

motor bracket	applicable motors		output	flange	motor diameter
RA	Panasonic	MINAS SERIES	50~100W	□38	φ8
RB	YASKAWA ELECTRIC	SIGMA SERIES	50~100W	□40	φ8
	MITSUBISHI ELECTRIC	MELSERVO SERIES	50~100W	□40	
	SANYO DENKI	SANMOTIONQ1 SERIES	50~100W	□40	
RC	5 PHASE STEPPING MOTOR		-	□42	φ5

Please contact NB for other stepper motors.

BG46



- This drawing shows RA for MSMA01(Panasonic).
- Installation position of Pulley Unit can be selected at 90° intervals (mounting direction code).
- Applicable with cover and with sensors.  
Precaution for applying H type sensors  
When the motor is positioned at direction 3 or 9, H type sensors interfere if mounted on the side of motor. H type sensors must be mounted opposite to the motor.
- Tension plate can be built in and is not exposed.
- Mass is added 0.7kg to the mass on page H-24~27.
- Inertia is added  $1.24 \times 10^{-6} \text{kg} \cdot \text{m}^2$  to the value of Table on page H-24~27. (motor inertia not included)
- Part number structure BG46\*\*\*-\*\*\*\*/☆☆□  
☆☆: Symbol of applicable motor bracket (refer to Table H-11)  
□: Mounting direction code (refer to cross section A-A)

Table H-11 Applicable Motor

motor bracket	applicable motors		output	flange	motor diameter
RA	Panasonic	MINAS SERIES	200W	□60	φ11
RB	YASKAWA ELECTRIC	SIGMA SERIES	200W	□60	φ14
	MITSUBISHI ELECTRIC	MELSERVO SERIES	200W	□60	
	SANYO DENKI	SANMOTIONQ1 SERIES	200W	□60	
RC	5 PHASE STEPPING MOTOR		-	□60	φ8

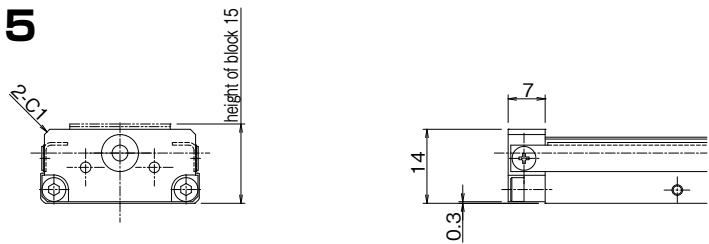
Please contact NB for other stepper motors.

Return pulley units is available for sizes other than BG33 and BG46. Please contact NB.

**LOW HOUSING**

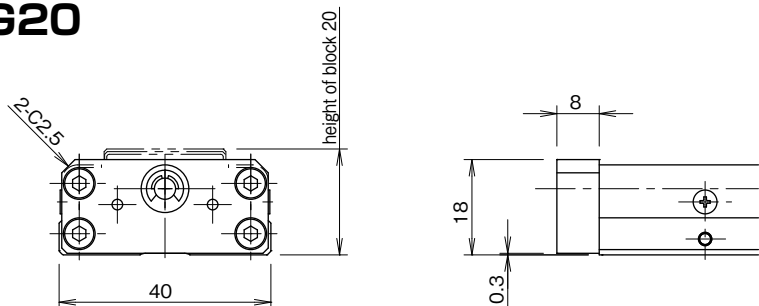
NB provides low housing with actuators. The height of housing is lower than the block. When the length of work is longer than the block, mounted with standatad housing, the housing contact works. It is recommended to take low housing when long work is mounted. Please note that the height of motor bracket cannot be lower any more.

**BG15**



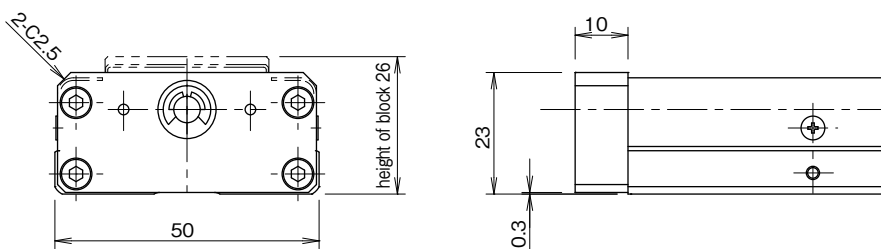
·Mass is 0.005Kg less than the mass on page H-14.

**BG20**



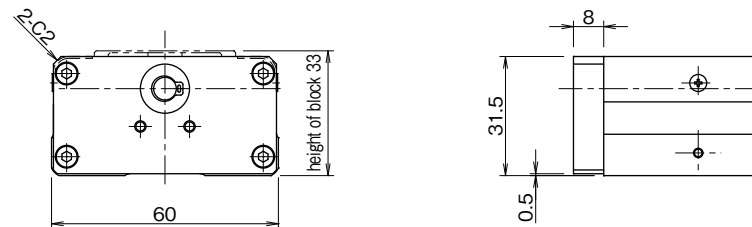
·Mass is 0.01Kg less than the mass on page H-16.

**BG26**



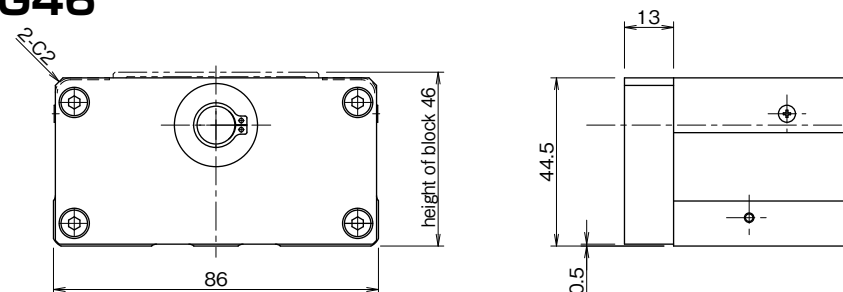
·Mass is 0.02Kg less than the mass on page H-18.

**BG33**



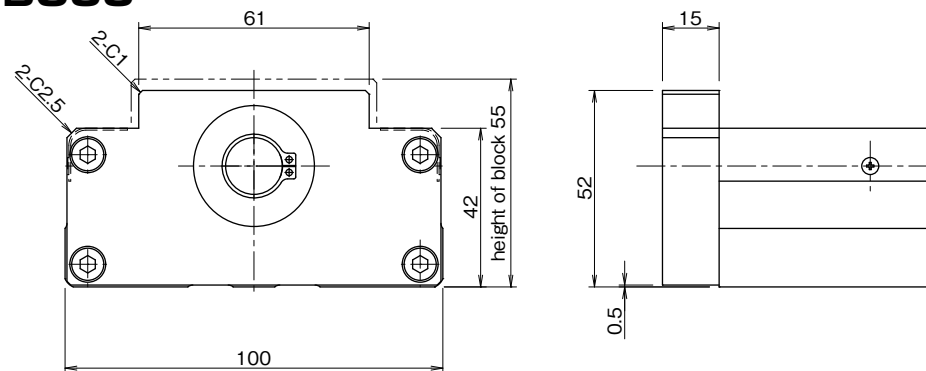
·Mass is 0.02Kg less than the mass on page P.H-20,22.

**BG46**



·Mass is 0.05Kg less than the mass on page P.H-24,26.

**BG55**



·Mass is 0.1Kg less than the mass on page P.H-28.

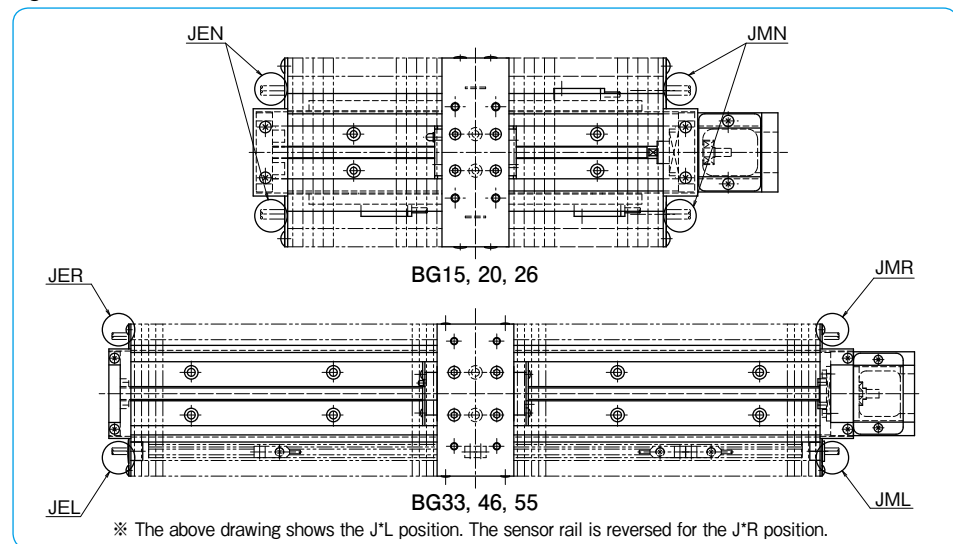
**BELLOWS**

BG type can be specified with a cover or bellows for dust prevention. Bellows are securely fixed for various installation methods in positioning and directions. Sensor for bellows is limited to K (proximity sensor) type only, which is pre-installed at proper positions. Please pay attention to the stroke limit of BG with bellows that is shorter than the standard stroke limit.

— Position of Sensor Cable Outlet —

The positions of the outlet for sensor cables can be selected as Figure H-15 shows.

Figure H-15 Position of Sensor Cable Outlet



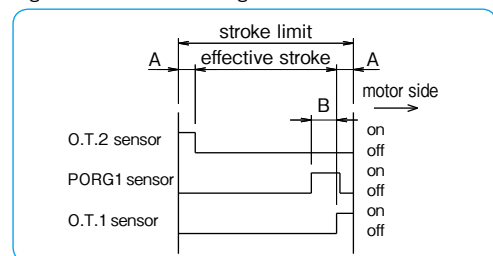
part number structure for bellows

1. J (for the first symbol)
2. Specification of the position of the sensor cable outlet  
Please select the motor side or the housing side.  
M: motor side E: housing side (end plate side)
3. Specification of the position of the sensor rail  
Please select the right hand or the left hand.  
R: on the right from the motor side  
L: on the left from the motor side  
※N for BG15, 20, and 26 since the sensors are mounted on both the right and left hand.
4. JNN for without sensors
5. Sensor type is K (proximity sensor) type only (APM-D3 series: YAMATAKE CORPORATION).

— Sensor Timing Chart —

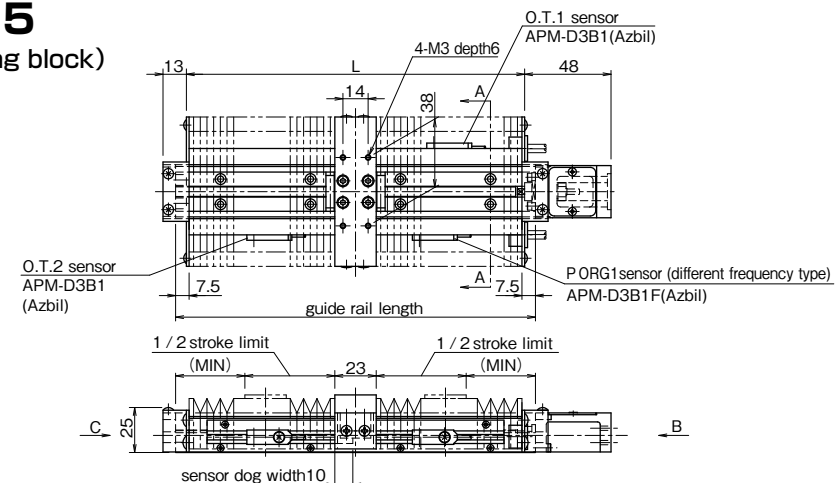
The following chart shows the standard sensor arrangement.

Figure H-16 Sensor Timing Chart

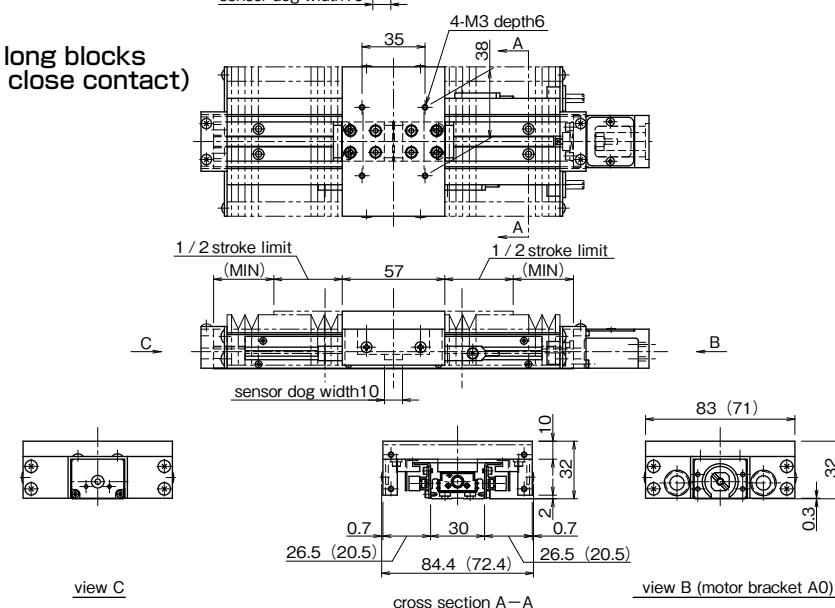


part number	A	B
<b>BG15</b>	5	8
<b>BG20</b>	5	8
<b>BG26</b>	5	13
<b>BG33</b>	10	13
<b>BG46</b>	10	13
<b>BG55</b>	10	13

**BG15**  
A(1 long block)



**B(2 long blocks in close contact)**



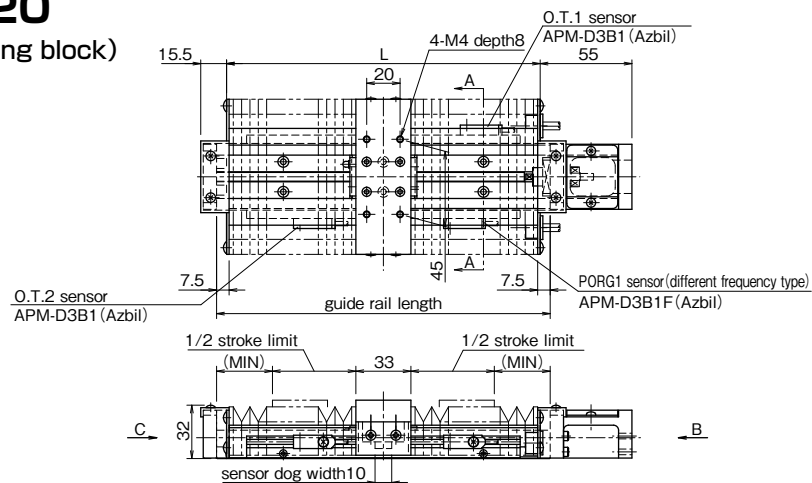
1. The drawings show the "JMN" configuration.
2. The numbers in the parentheses are the dimensions when sensors are not selected.
3. Please refer to page H-14 for dimensions that are not shown on the drawings.
4. material of bellows: composite resin sheet (shining black)

rail length	L	1 long block		2 long blocks			
		stroke limit	effective stroke	MIN	stroke limit	effective stroke	MIN
75	—	—	—	—	—	—	—
100	—	—	—	—	—	—	—
125	113	43	33	29.5	—	—	—
150*	138	60	50	33.5	40	30	26.5
175	163	85	75	33.5	59	49	29.5
200	188	100	90	38.5	76	60	33.5

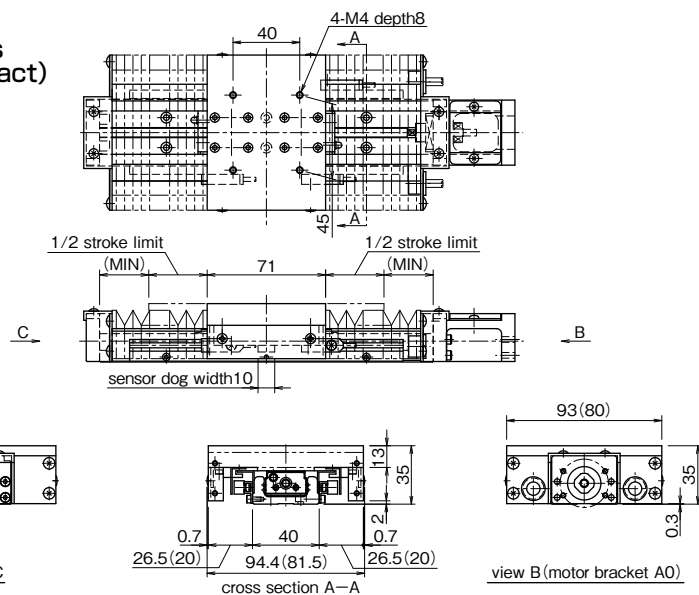
※ The rail mounting holes at the center cannot be used for the rail length 150 with two long blocks.

# BG20

A(1 long block)



B(2 long blocks in close contact)



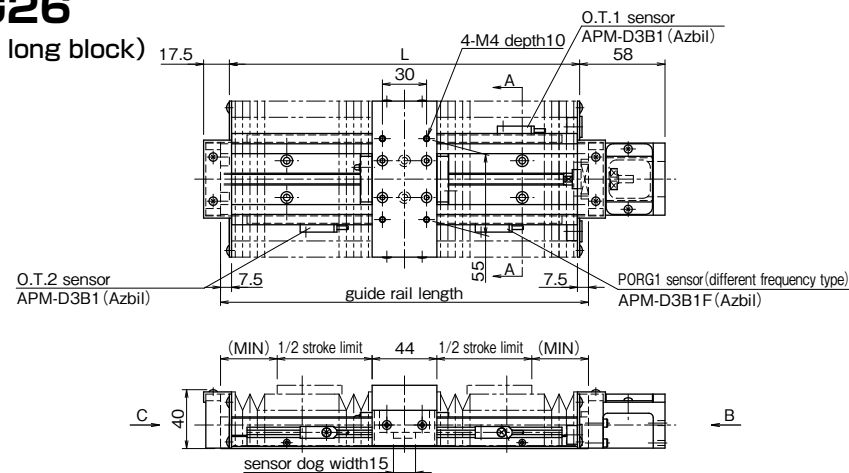
- 1.The drawings show the "JMN" configuration.
- 2.The numbers in the parentheses are the dimensions when sensors are not selected.
- 3.Please refer to page H-16 for dimensions that are not shown on the drawings.
- 4.material of bellows: composite resin sheet (shining black)

rail length	L	1 long block			2 long blocks		
		stroke limit	effective stroke	MIN	stroke limit	effective stroke	MIN
100	—	—	—	—	—	—	—
150*	138	58	48	29.5	32	22	23.5
200	188	100	90	33.5	70	60	29.5

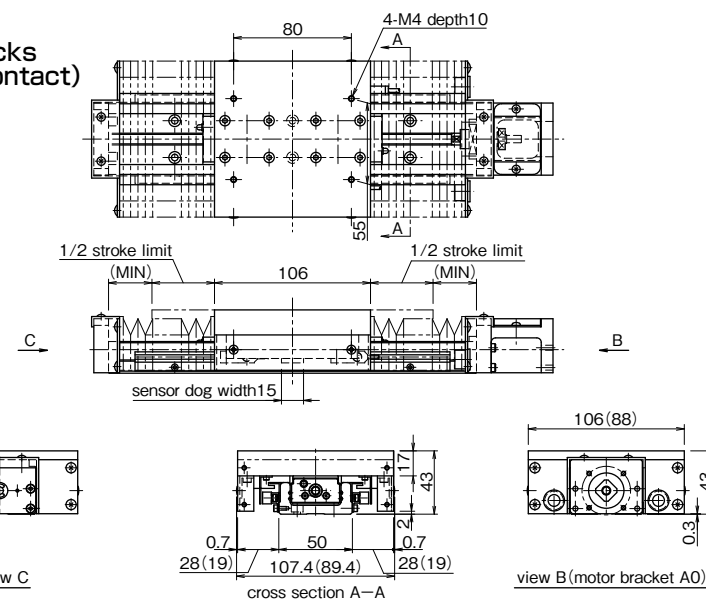
\*The rail mounting holes at the center cannot be used for the rail length 150 with two long blocks.

# BG26

A(1 long block)



B(2 long blocks in close contact)



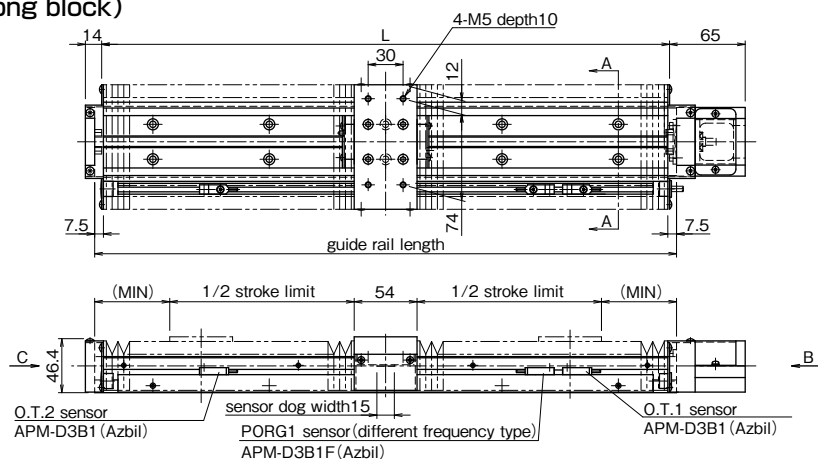
- 1.The drawings show the "JMN" configuration.
- 2.The numbers in the parentheses are the dimensions when sensors are not selected.
- 3.Please refer to page H-18 for dimensions that are not shown on the drawings.
- 4.material of bellows: composite resin sheet (shining black)

rail length	L	1 long block			2 long blocks		
		stroke limit	effective stroke	MIN	stroke limit	effective stroke	MIN
150	138	53	43	26.5	—	—	—
200*	188	97	87	29.5	41	31	26.5
250	238	129	119	38.5	85	75	29.5
300	288	169	159	43.5	127	117	33.5

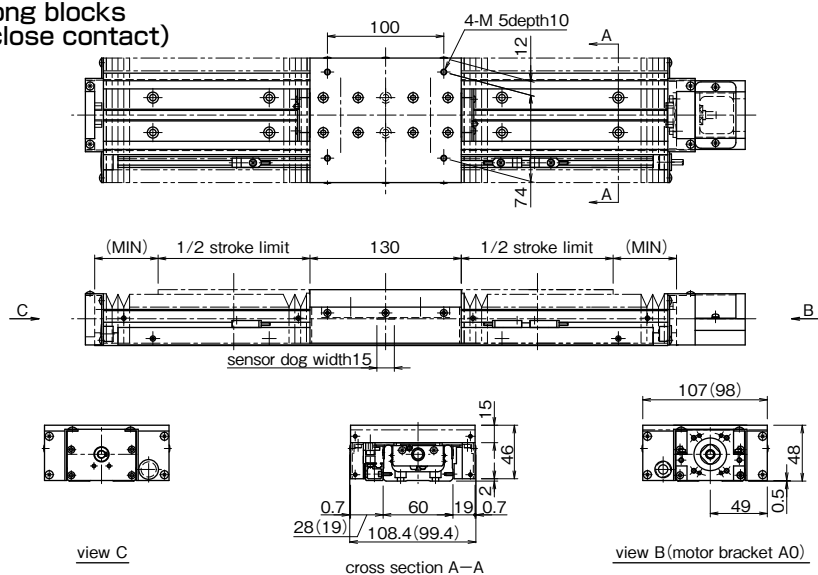
\*The rail mounting holes at the center cannot be used for the rail length 200 with two long blocks.

# BG33

## A(1 long block)



## B(2 long blocks in close contact)



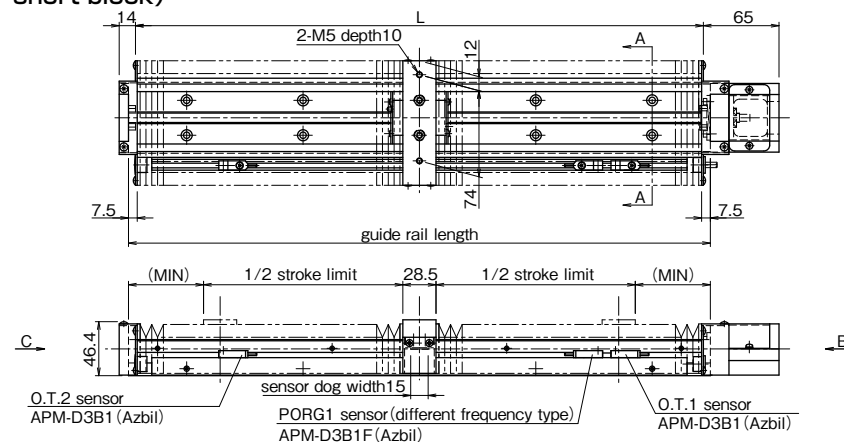
- The drawings show the "JML" configuration. The cross sections become reversed when "J\*R" is selected.
- The numbers in the parentheses are the dimensions when sensors are not selected.
- Please refer to page H-20 for dimensions that are not shown on the drawings.
- material of bellows: composite resin sheet (shining black)

rail length	L	1 long block			2 long blocks		
		stroke limit	effective stroke	MIN	stroke limit	effective stroke	MIN
150	-	-	-	-	-	-	-
200	188	79	59	33.5	-	-	-
300*	288	159	139	43.5	103	83	33.5
400	388	237	217	54.5	183	163	43.5
500	488	317	297	64.5	261	241	54.5
600	588	395	375	75.5	341	321	64.5

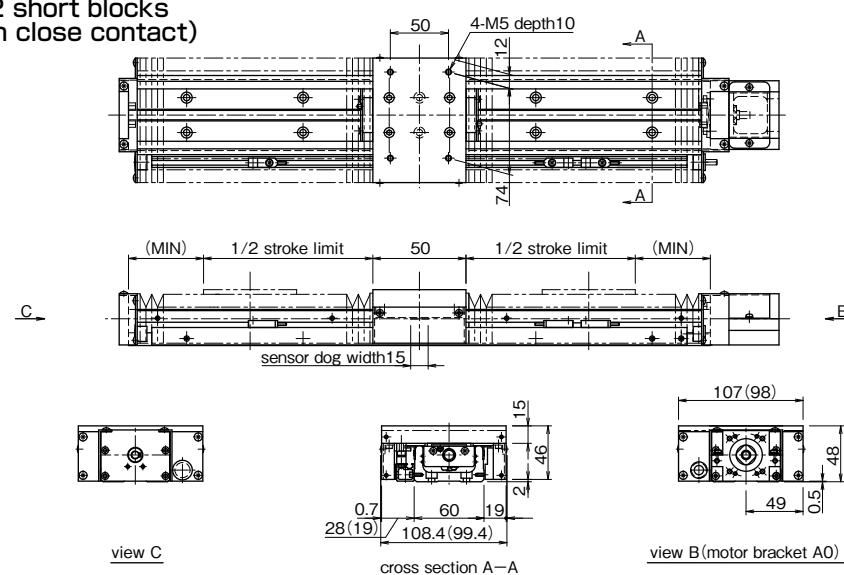
\*The rail mounting holes at the center cannot be used for the rail length 300 with two long blocks.

# BG33

## C(1 short block)



## D(2 short blocks in close contact)

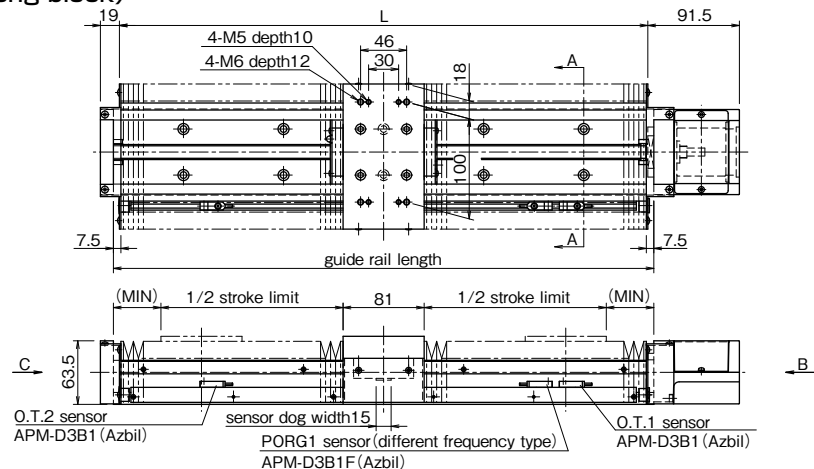


- The drawings show the "JML" configuration. The cross sections become reversed when "J\*R" is selected.
- The numbers in the parentheses are the dimensions when sensors are not selected.
- Please refer to page H-22 for dimensions that are not shown on the drawings.
- material of bellows: composite resin sheet (shining black)

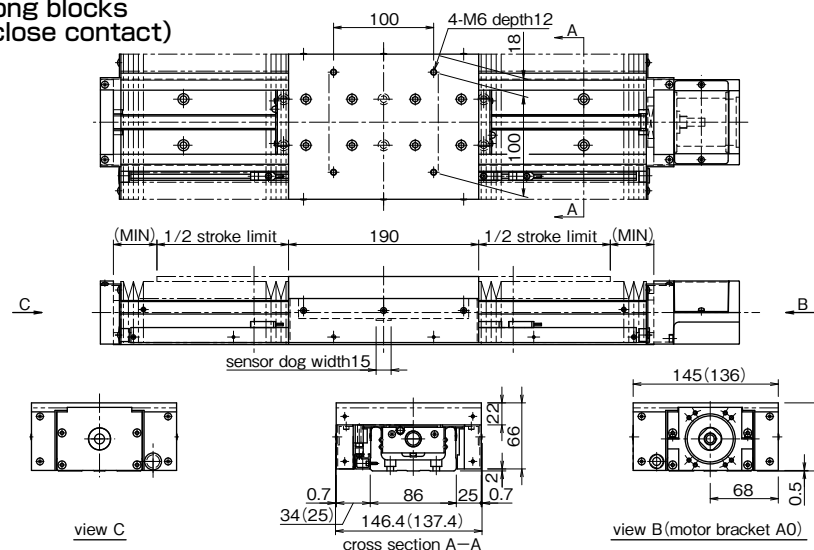
rail length	L	1 short block			2 short blocks		
		stroke limit	effective stroke	MIN	stroke limit	effective stroke	MIN
150	138	68.5	48.5	26.5	-	-	-
200	188	104.5	84.5	33.5	67	47	26.5
300	288	184.5	164.5	43.5	143	123	38.5
400	388	262.5	242.5	54.5	211	191	54.5
500	488	342.5	322.5	64.5	291	271	64.5
600	588	404.5	384.5	83.5	369	349	75.5

# BG46

A(1 long block)



B(2 long blocks in close contact)



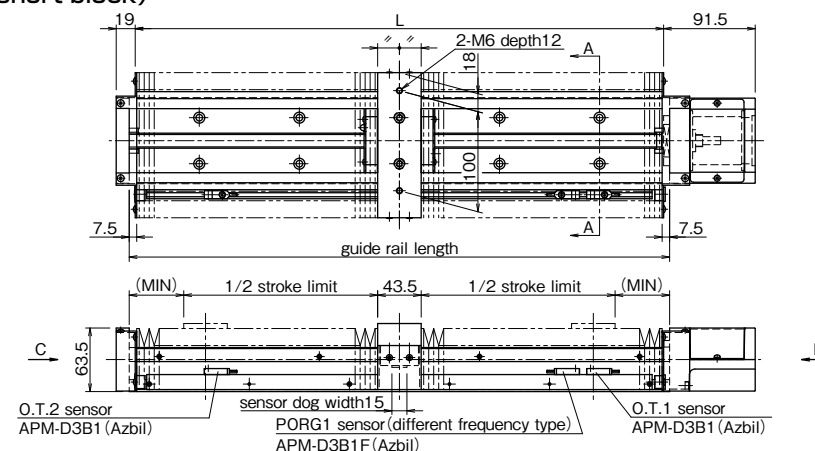
- The drawings show the "JML" configuration. The cross sections become reversed when "J\*R" is selected.
- The numbers in the parentheses are the dimensions when sensors are not selected.
- Please refer to page H-24 for dimensions that are not shown on the drawings.
- material of bellows: composite resin sheet (shining black)

rail length	L	1 long block			2 long blocks		
		stroke limit	effective stroke	MIN	stroke limit	effective stroke	MIN
340*	328	192	172	33.5	97	77	26.5
440	428	272	252	43.5	183	163	33.5
540	528	364	344	47.5	263	243	43.5
640	628	450	430	54.5	355	335	47.5
740	728	530	510	64.5	441	421	54.5
840	828	608	588	75.5	521	501	64.5
940	928	686	666	86.5	599	579	75.5
1,040	1,028	774	754	92.5	677	657	86.5
1,140	1,128	866	846	96.5	765	745	92.5
1,240	1,228	944	924	107.5	857	837	96.5

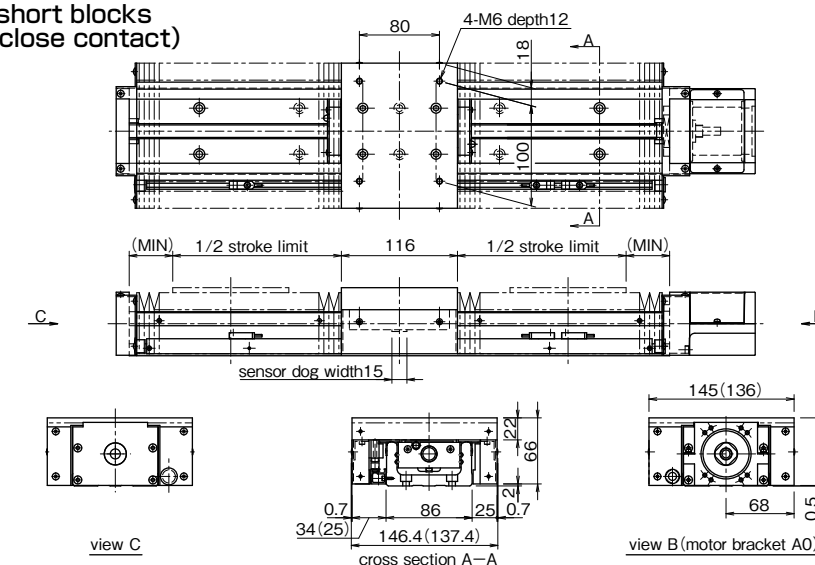
\*The rail mounting holes at the center cannot be used for the rail length 340 with two short or long blocks.

# BG46

C(1 short block)



D(2 short blocks in close contact)



- The drawings show the "JML" configuration. The cross sections become reversed when "J\*R" is selected.
- The numbers in the parentheses are the dimensions when sensors are not selected.
- Please refer to page H-26 for dimensions that are not shown on the drawings.
- material of bellows: composite resin sheet (shining black)

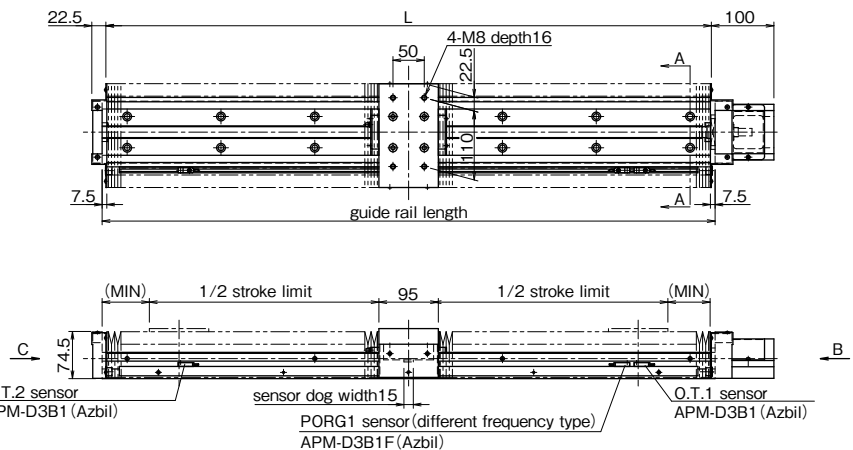
rail length	L	1 short block			2 short blocks		
		stroke limit	effective stroke	MIN	stroke limit	effective stroke	MIN
340*	328	219.5	199.5	38.5	165	145	29.5
440	428	309.5	289.5	43.5	247	227	38.5
540	528	387.5	367.5	54.5	337	317	43.5
640	628	467.5	447.5	64.5	415	395	54.5
740	728	545.5	525.5	75.5	495	475	64.5
840	828	645.5	625.5	75.5	573	553	75.5
940	928	723.5	703.5	86.5	651	631	86.5
1,040	1,028	803.5	783.5	96.5	731	711	96.5
1,140	1,128	881.5	861.5	107.5	811	791	107.5
1,240	1,228	961.5	941.5	107.5	899	879	107.5

\*The rail mounting holes at the center cannot be used for the rail length 340 with two short or long blocks.

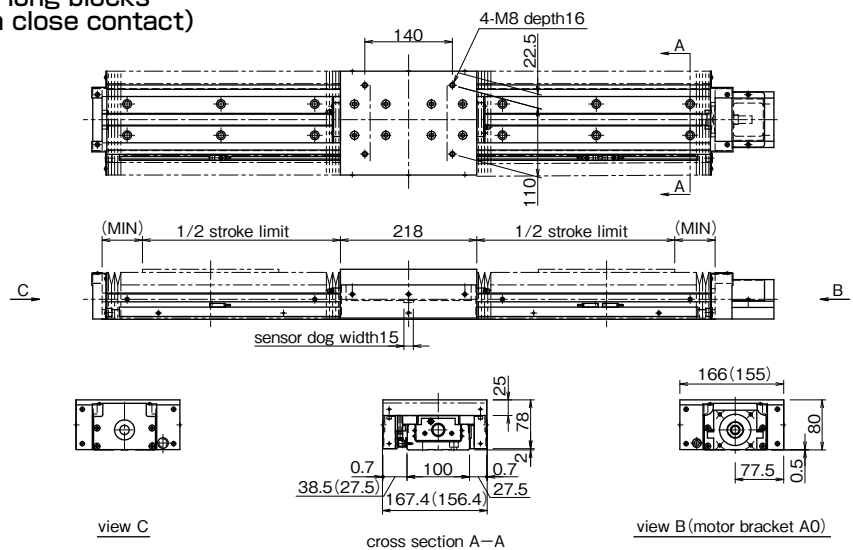


# BG55

## A (1 long block)



## B (2 long blocks in close contact)



- The drawings show the "JML" configuration. The cross sections become reversed when "J\*R" is selected.
- The numbers in the parentheses are the dimensions when sensors are not selected.
- Please refer to page H-28 for dimensions that are not shown on the drawings.
- material of bellows: composite resin sheet (shining black)

rail length	L	1 long block		2 long blocks			
		stroke limit	effective stroke	MIN	stroke limit	effective stroke	MIN
980	968	734	714	75.5	633	613	64.5
1,080	1,068	812	792	86.5	711	691	75.5
1,180	1,168	912	892	86.5	789	769	86.5
1,280	1,268	992	972	96.5	889	869	86.5
1,380	1,368	1,070	1,050	107.5	969	949	96.5

# SENSOR

Photomicro sensor or proximity sensor can be attached to the BG actuator with our optional sensor-mounting rail (the same length as the guide rail length). Tapped holes are machined on both sides of the guide rail, allowing attachment of sensor to either side. Standard positioning (without special instruction from customer) would be to the left of the motor mount end. Sensor option includes the items that are listed below. Three types of sensor rail are available. (see Figure H-17) For details, please refer to page H-59 ~ H-69. Depending on sizes, some sensor rail are not available.

Table H-12 NPN Sensor

sensor code	sensor type	BG15	BG20	BG26	BG33	BG46	BG55
S	slim/compact type photomicro sensor	—	PM-L24 [3pcs] <sup>※1</sup> (SUNX)				EE-SX674 [3pcs] <sup>※2</sup> (OMRON)
H	close contact capable photomicro sensor						EE-SX671 [3pcs] <sup>※2</sup> (OMRON)
K	proximity sensor (N.C.contact) <sup>※3</sup>			APM-D3B1 [2pcs] <sup>※1</sup> APM-D3B1F [1pcs] <sup>※1※4</sup> (Azbil)			

- ※1 : length of cable: 1m
- ※2 : 3 pcs of sensor connector will be attached
- ※3 : normal close contact
- ※4 : different frequency type

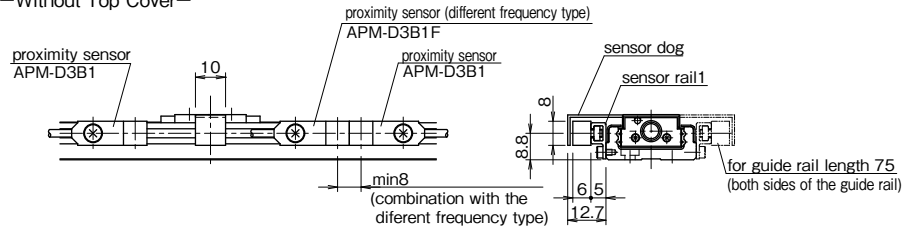
Figure H-17 Sensor rail

sensor rail No.	sensor rail1	sensor rail2	sensor rail3
	part number		
BG15	○	×	×
BG20	○	×	×
BG26	○	×	×
BG33	○	○	○
BG46	○	○	○
BG55	○	○	○

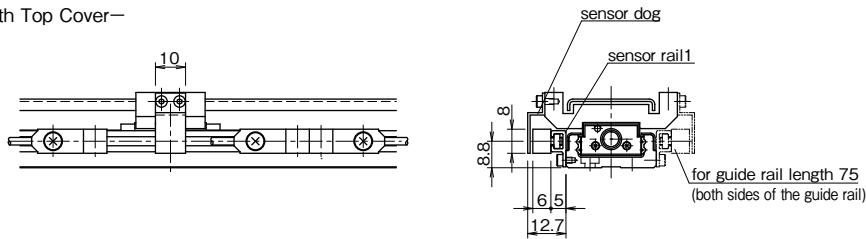
# BG15

## K Specification (Proximity Sensor)

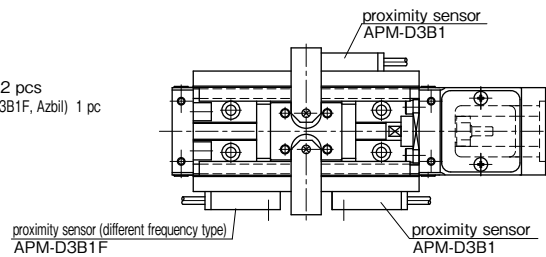
—Without Top Cover—



—With Top Cover—



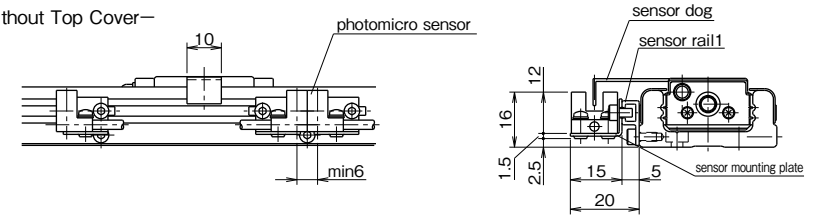
- accessories  
 proximity sensor (APM-D3B1, Azbil) 2 pcs  
 proximity sensor (different frequency type)(APM-D3B1F, Azbil) 1 pc  
 sensor rail 1 pc  
 sensor dog 1 pc  
 \*2 pcs of sensor dogs for BG15A-75  
 (refer to the figure on the right.)



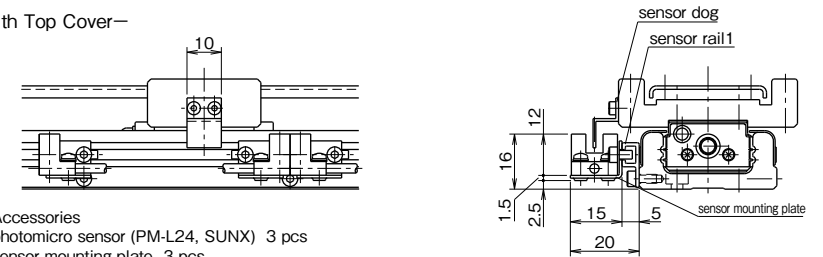
# BG20

## S Specification (Compact Photomicro Sensor)

—Without Top Cover—



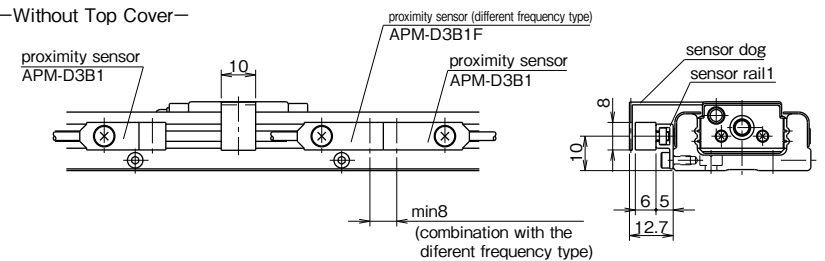
—With Top Cover—



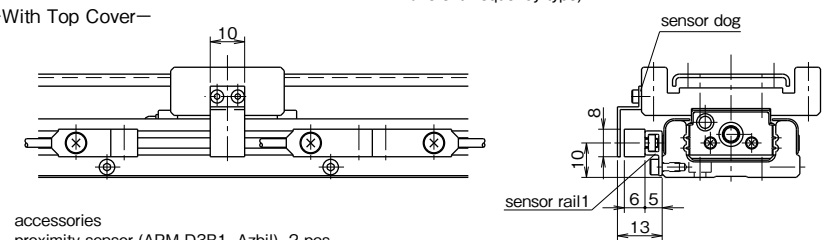
- Accessories  
 photomicro sensor (PM-L24, SUNX) 3 pcs  
 sensor mounting plate 3 pcs  
 sensor rail 1 pc  
 sensor dog 1 pc

## K Specification (Proximity Sensor)

—Without Top Cover—



—With Top Cover—

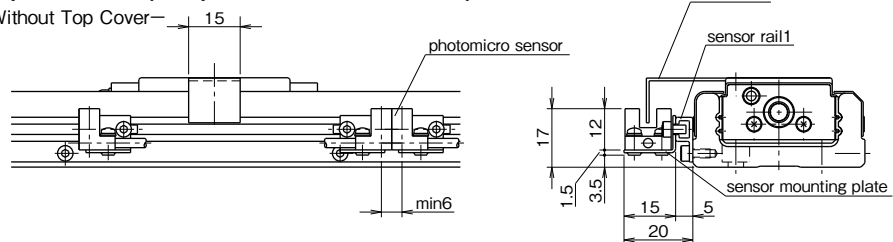


- accessories  
 proximity sensor (APM-D3B1, Azbil) 2 pcs  
 proximity sensor (different frequency type)(APM-D3B1F, Azbil) 1 pc  
 sensor rail 1 pc  
 sensor dog 1 pc

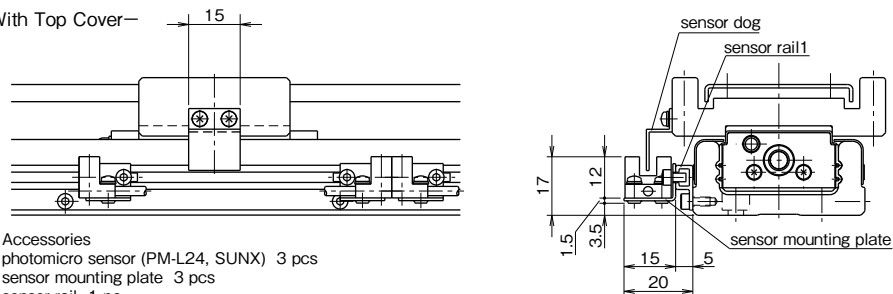
# BG26

## S Specification (Compact Photomicro Sensor)

—Without Top Cover—



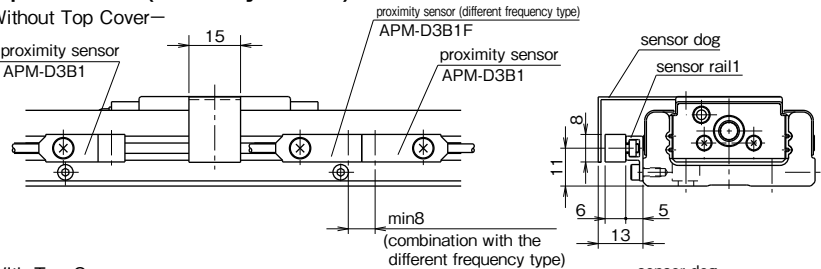
—With Top Cover—



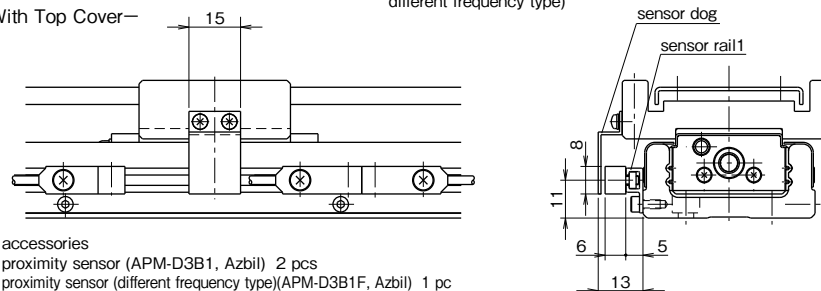
- Accessories  
 photomicro sensor (PM-L24, SUNX) 3 pcs  
 sensor mounting plate 3 pcs  
 sensor rail 1 pc  
 sensor dog 1 pc

## K Specification (Proximity Sensor)

—Without Top Cover—



—With Top Cover—

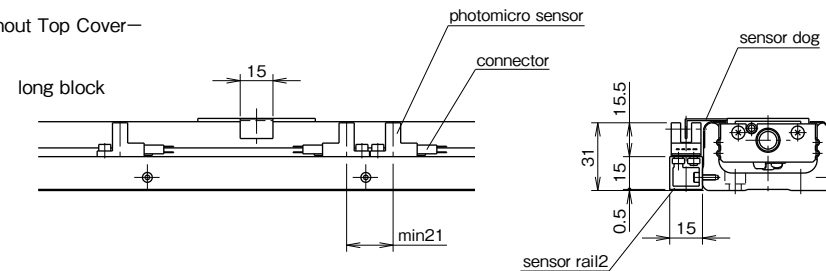


- accessories  
 proximity sensor (APM-D3B1, Azbil) 2 pcs  
 proximity sensor (different frequency type)(APM-D3B1F, Azbil) 1 pc  
 sensor rail 1 pc  
 sensor dog 1 pc

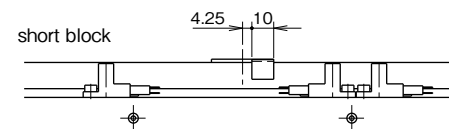
# BG33

## S Specification (Slim-Type Photomicro Sensor)

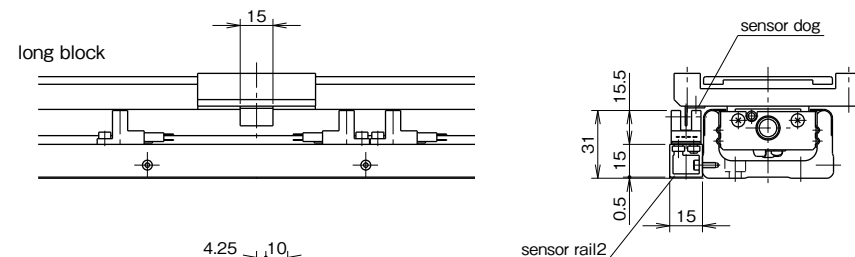
—Without Top Cover—



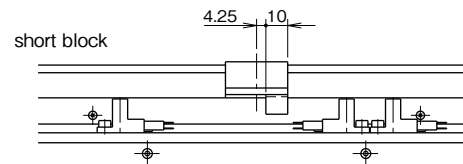
short block



—With Top Cover—



short block

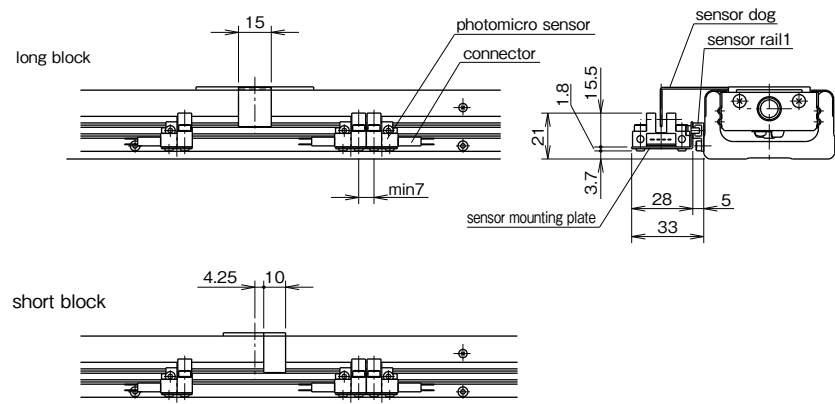


- accessories  
 photomicro sensor (EE-SX674, OMRON) 3 pcs  
 connector (EE-1001, OMRON) 3 pcs  
 sensor rail 1 pc  
 sensor dog \*1 pc  
 \* 2 pcs for BG33D-150.

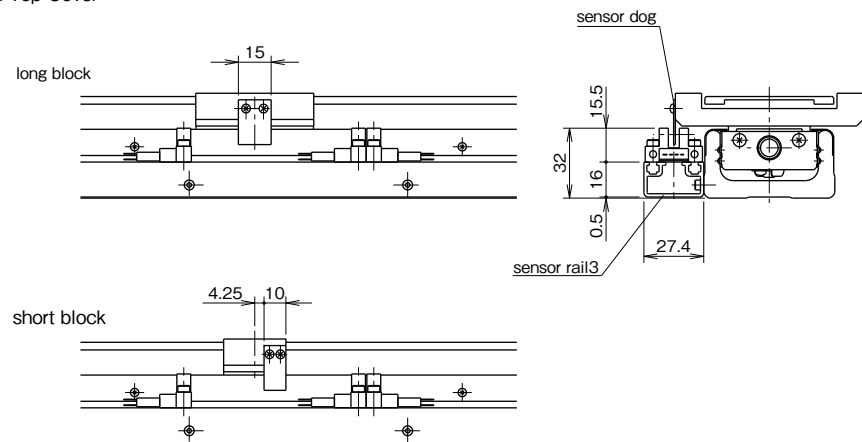
# BG33

## H Specification (Close Contact Capable Photomicro Sensor)

—Without Top Cover—



—With Top Cover—

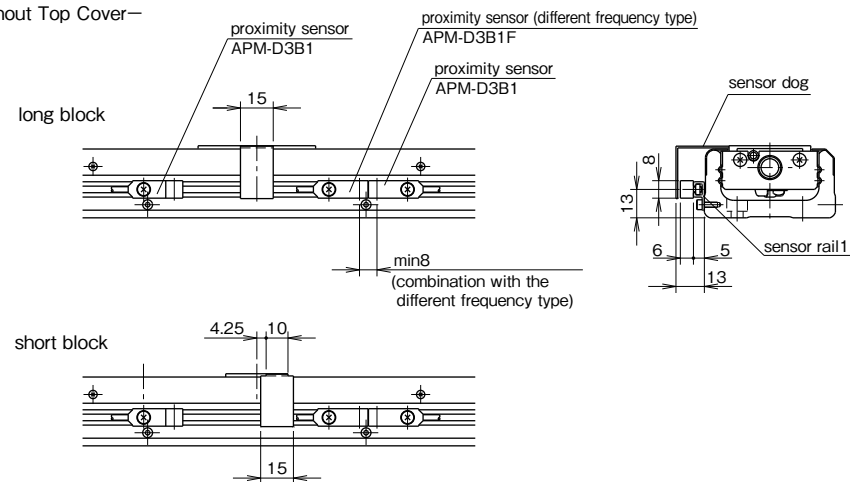


- accessories  
 photomicro sensor (EE-SX671, OMRON) 3 pcs  
 connector (EE-1001, OMRON) 3 pcs  
 sensor mounting plate (only for the without cover type) 3 pcs  
 sensor rail 1 pc  
 sensor dog \*1 pcs  
 \* 2 pcs for BG33D-150.

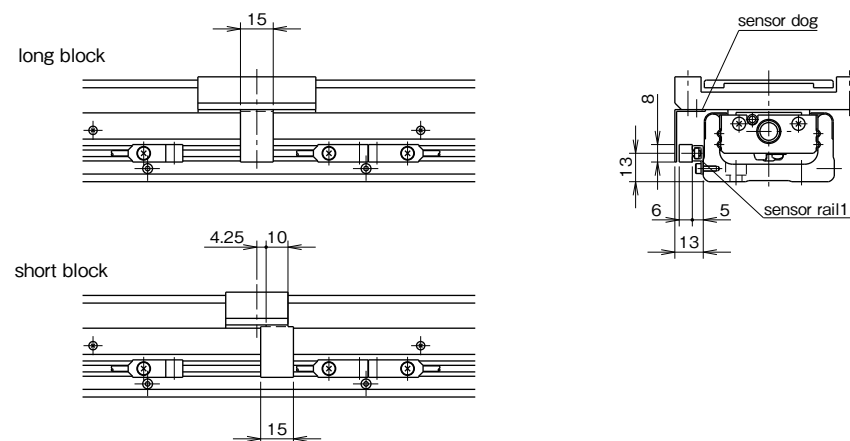
# BG33

## K Specification (Proximity Sensor)

—Without Top Cover—



—With Top Cover—

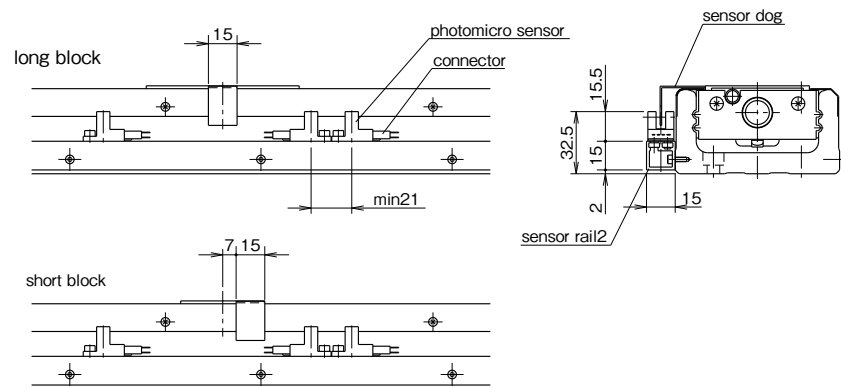


- accessories  
 proximity sensor (APM-D3B1, Azbil) 2 pcs  
 proximity sensor (different frequency type)(APM-D3B1F, Azbil) 1 pc  
 sensor rail 1 pc  
 sensor dog \*1 pc  
 \* 2 pcs for BG33D-150.

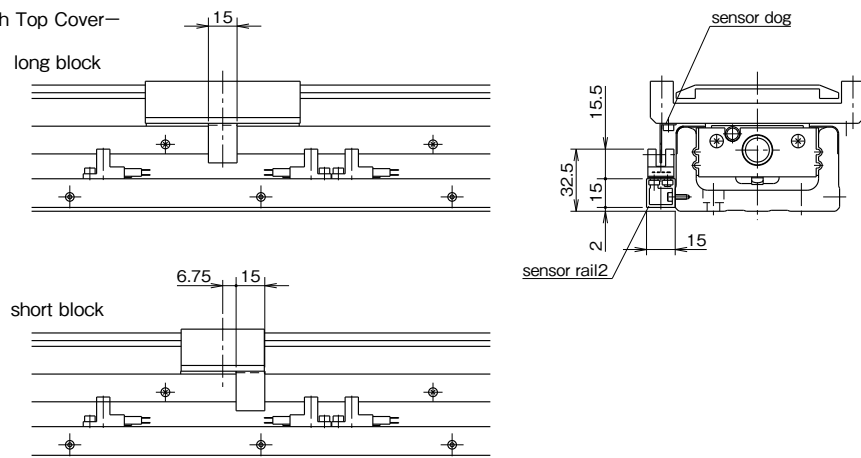
# BG46

## S Specification (Slim-Type Photomicro Sensor)

—Without Top Cover—



—With Top Cover—

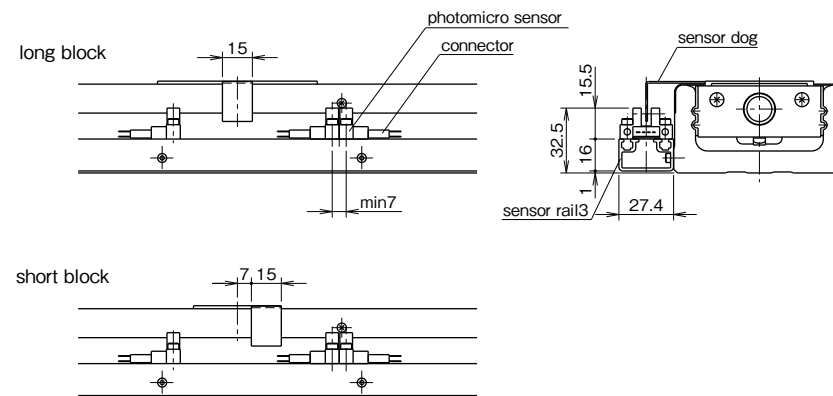


- accessories  
 photomicro sensor (EE-SX674, OMRON) 3 pcs  
 connector (EE-1001, OMRON) 3 pcs  
 sensor rail 1 pc  
 sensor dog 1 pc

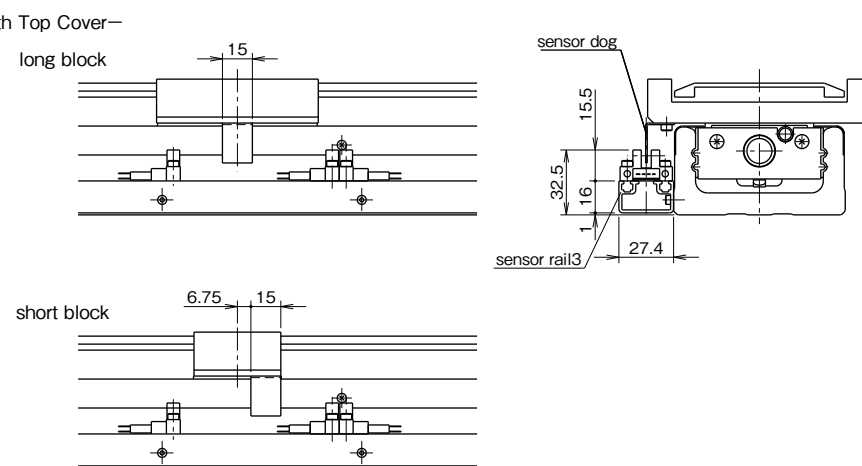
# BG46

## H Specification (Close Contact Capable Photomicro Sensor)

—Without Top Cover—



—With Top Cover—

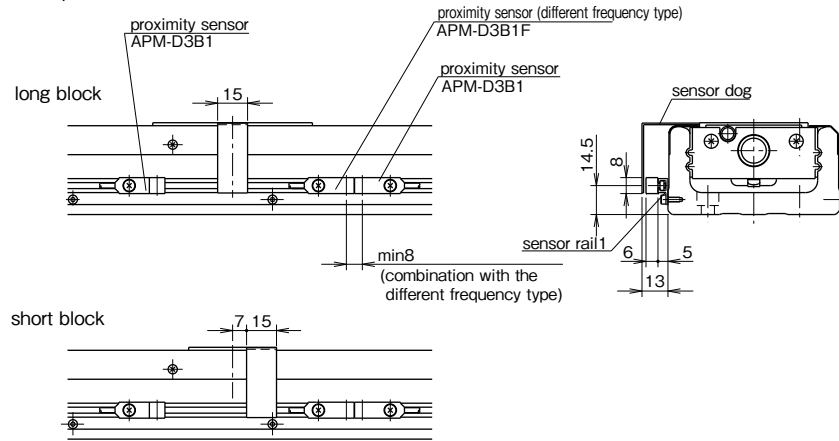


- accessories  
 photomicro sensor (EE-SX671, OMRON) 3 pcs  
 connector (EE-1001, OMRON) 3 pcs  
 sensor rail 1 pc  
 sensor dog 1 pc

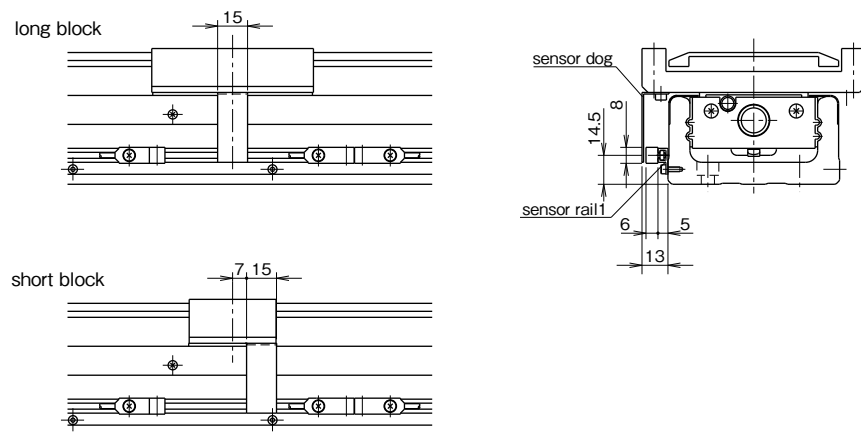
# BG46

## K Specification (Proximity Sensor)

—Without Top Cover—



—With Top Cover—

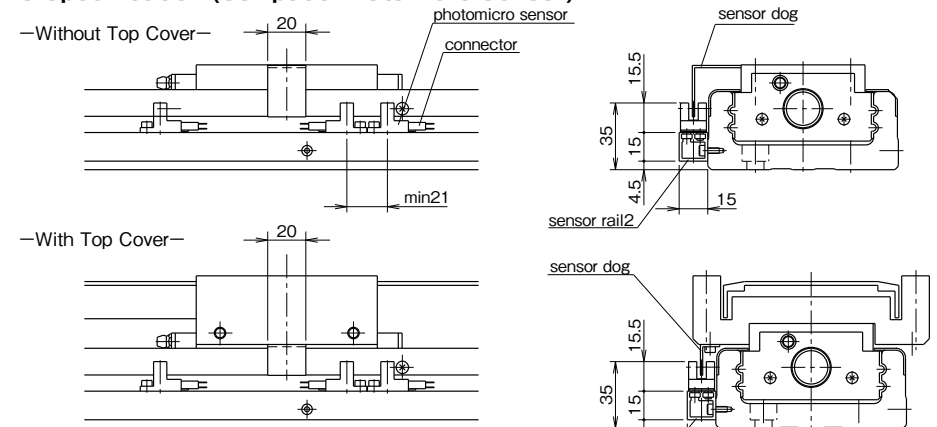


- accessories  
 proximity sensor (APM-D3B1, Azbil) 2 pcs  
 proximity sensor (different frequency type)(APM-D3B1F, Azbil) 1 pc  
 sensor rail 1 pc  
 sensor dog 1 pc

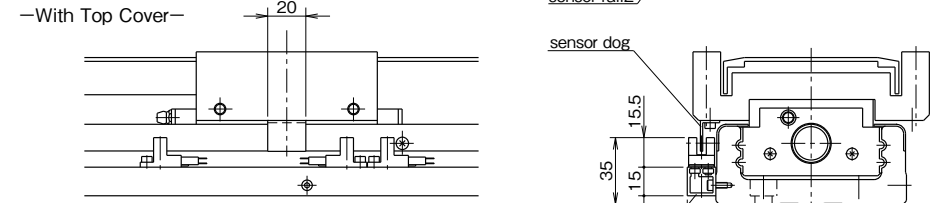
# BG55

## S Specification (Compact Photomicro Sensor)

—Without Top Cover—



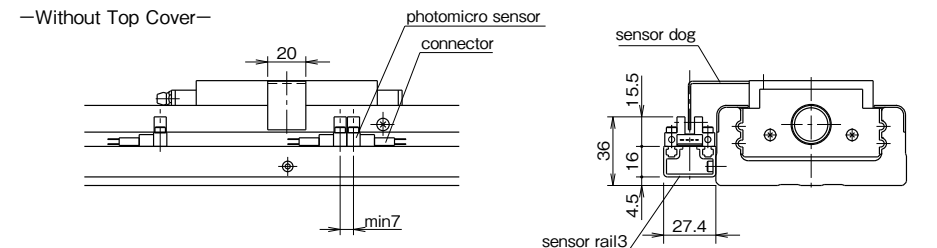
—With Top Cover—



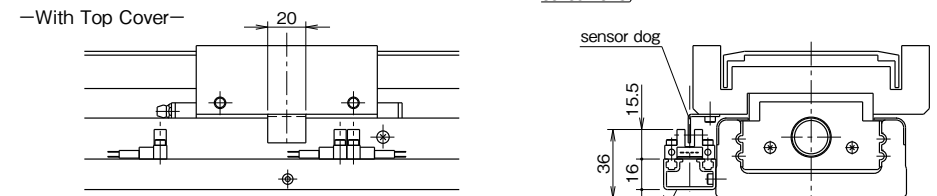
- accessories  
 photomicro sensor (EE-SX674, OMRON) 3 pcs  
 connector (EE-1001, OMRON) 3 pcs  
 sensor rail 1 pc  
 sensor dog 1 pc

## H Specification (Close Contact Capable Photomicro Sensor)

—Without Top Cover—



—With Top Cover—

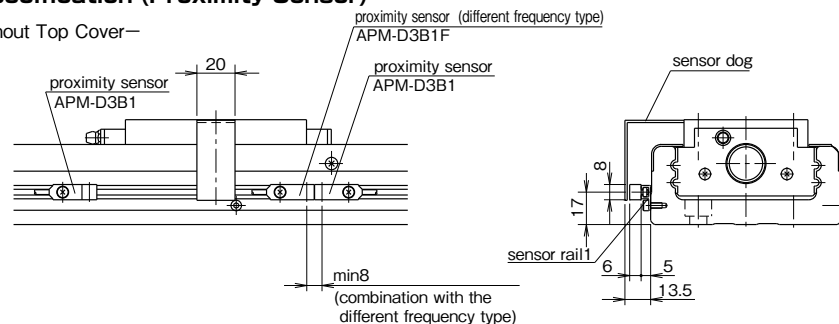


- accessories  
 photomicro sensor (EE-SX671, OMRON) 3 pcs  
 connector (EE-1001, OMRON) 3 pcs  
 sensor rail 1 pc  
 sensor dog 1 pc

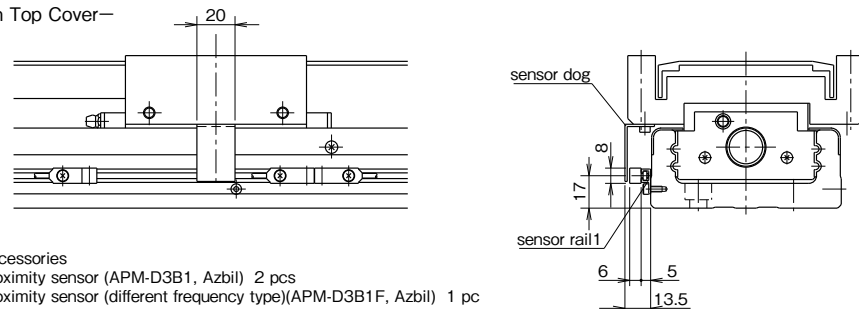
# BG55

## K Specification (Proximity Sensor)

—Without Top Cover—



—With Top Cover—



- accessories  
 proximity sensor (APM-D3B1, Azbil) 2 pcs  
 proximity sensor (different frequency type)(APM-D3B1F, Azbil) 1 pc  
 sensor rail 1 pc  
 sensor dog 1 pc

## PNP SENSOR

For the BG type sensors can be changed to the PNP type by adding a sensor option code "PNP" at the end of the part number.

Refer to Table H-12 for the model number of PNP type sensors.

Table H-13 PNP Sensor Type

sensor code	sensor type	BG15	BG20	BG26	BG33	BG46	BG55
S	slim/compact type photomicro sensor	—	PM-L24 P [3pcs] ※1 (SUNX)		EE-SX674P [3pcs] ※2		
H	close contact capable photomicro sensor				EE-SX671P [ 3pcs] ※2 (OMRON)		
K	proximity sensor (N.C. contact) ※3		APM-D3E1 [2pcs] ※1 APM-D3E1F [1pcs] ※1※4 (Azbil)				

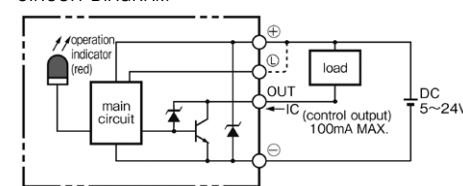
※ 1 : length of cable: 1m  
 ※ 2 : 3 pcs of sensor connector will be attached  
 ※ 3 : normal close contact  
 ※ 4 : different frequency type

## SENSOR SPECIFICATIONS

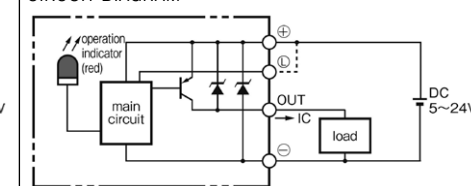
slim-type, close contact capable photomicro sensor (symbol: S,H)/ OMRON CORPORATION

type	NPN TYPE	EE-SX674	EE-SX671
	PNP TYPE	EE-SX674P	EE-SX671P
sensing distance	5mm (slot width)		
standard sensing object	opaque: 2×0.8mm min.		
differential travel	0.025mm		
power supply voltage	5 to 24 VDC ±10%, ripple(P-P): 10% max.		
current consumption	12mA max. (NPN), 12 mA max.(PNP)		
control output	NPN TYPE	NPN open collector output models: At 5 to 24 VDC: 100-mA load current (Ic) with a residual voltage of 0.8V max.40-mA load current (Ic) with a residual voltage of 0.4V max.	
	PNP TYPE	PNP open collector output models: At 5 to 24 VDC: 50-mA load current (Ic) with a residual voltage of 1.3V max.	
output operation	Dark-On (+, L terminal open-circuit), Light-On (+, L terminal short-circuit)		
response frequency	1kHz max. (3kHz average)		
operation indicator	operation indicator (red) lit with incident		
ambient illumination (on receiver lens)	fluorescent light: 1000 lx max.		
ambient temperature	operating: -25 to 55°C storage: -30 to 80°C		
ambient humidity	operating: 5 to 85%RH storage: 5 to 95%RH		
vibration resistance	destruction: 20 to 2000Hz, (with a peak acceleration of 100m/s <sup>2</sup> ) 1.5mm double amplitude for 2hrs (with 4-minute cycles) each in X,Y, and Z directions		
shock resistance	destruction: 500m/s <sup>2</sup> for 3 times each in X,Y, and Z directions		
degree of protection	IEC60529 IP50		
connection method	connector type (direct soldering possible)		
weight	approx. 3g		
material	case	Polybutylene terephthalate (PBT)	
	cover	Polycarbonate (PC)	
	emitter/receiver	Polycarbonate (PC)	

NPN TYPE  
CIRCUIT DIAGRAM



PNPTYPE  
CIRCUIT DIAGRAM

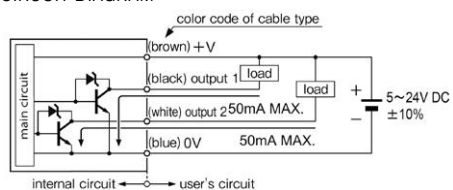


Please read the specifications and precautions of the manufacturer's catalog.

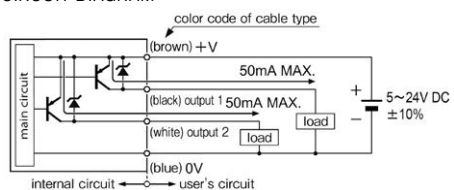
compact photomicro sensor (symbol: S)/ Panasonic Electric Works SUNX Co.,Ltd.

type	NPN TYPE	PM-L24
	PNP TYPE	PM-L24P
sensing range	5mm (fixed)	
minimum sensing object	0.8×1.8mm min. opaque	
hysteresis	0.05mm or less	
repeatability	0.03mm or less	
supply voltage	5 to 24 VDC ±10%, ripple(P-P) 10% or less	
current consumption	15mA or less	
output	NPN TYPE	NPN open-collector transistor maximum sink current: 50mA, applied voltage: 30VDC or less (between output and 0V) residual voltage: 0.7V or less (at 50mA sink current) 0.4V or less (at 16mA sink current)
	PNP TYPE	PNP open-collector transistor maximum source current: 50mA, applied voltage: 30VDC or less (between output and +V) residual voltage: 0.7V or less (at 50mA sink current) 0.4V or less (at 16mA sink current)
output operation	Incorporated with 2 outputs: Light-ON/Dark-ON	
response time	under light received condition: 20μs or less under light interrupted condition: 100μs or less (response frequency: 1kHz or more)	
operation indicator	vermillion LED (lights up under light received condition)	
ambient illuminance	fluorescent light: 1000lx at the light-receiving face	
ambient temperature	operating: -25 to 55°C (No dew condensation or icing allowed.) storage: -30 to 80°C	
ambient humidity	35 to 85% RH storage: 35 to 85%RH	
voltage withstandability	1000V AC for one min. between all supply terminals connected together and enclosure	
insulation resistance	50MΩ, or more, with 250V DC megger between all supply terminals connected together and enclosure	
vibration resistance	10 to 2,000Hz frequency, 1.5mm amplitude in X, Y, and Z directions for two hours each	
shock resistance	15,000m/s <sup>2</sup> acceleration (1,500 G approx.) in X, Y, and Z directions for three times each	
cable	0.09mm <sup>2</sup> 4-core cabtyre cable 1m long	
weight	approx. 10g	
material	case	Polybutylene telephthalate (PBT)
	cover	Polycarbonate

NPN TYPE  
CIRCUIT DIAGRAM



PNP TYPE  
CIRCUIT DIAGRAM

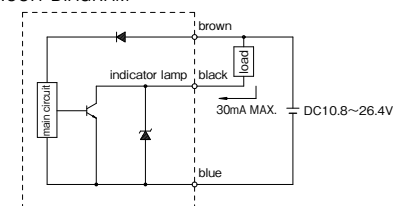


Please read the specifications and precautions of the manufacturer's catalog.

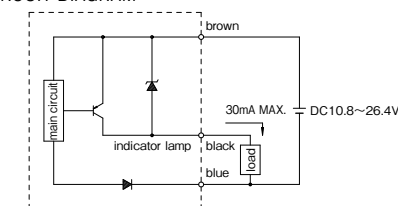
proximity sensor (symbol: K)/ Azbil CORPORATION

type	NPN TYPE	APM-D3B1,APM-D3B1F(different-frequency type)
	PNP TYPE	APM-D3E1,APM-D3E1F(different-frequency type)
rated sensing distance	2.5mm±15%	
standard target object	15×15mm, 1mm thick iron	
differential travel	15% max. of sensing distance	
rated supply voltage	12/24VDC	
operating voltage range	10.8 to 26.4 VDC (ripple voltage 10% max.)	
current consumption	10mA max.	
control output	NPN TYPE	NPN transistor open collector switching current: 30mA max. (resistive load) voltage drop: 1V max. (switching current 30mA) output dielectric strength: 26.4V
	PNP TYPE	PNP transistor open collector switching current: 30mA max. (resistive load) voltage drop: 1V max. (switching current 30mA) output dielectric strength: 26.4V
operation mode	normally closed (N.C.)	
operating frequency	120Hz	
indicator lamps	lights (red) when object approaches	
operating temperature range	-10 to 55°C storage: -25 to 70°C	
operating humidity range	35 to 85% RH	
ambient illumination(on receiver lens)	fluorescent light: 1000lxmax.	
dielectric strength	1000V AC (50/60Hz) for one min. between case and electrically live metals	
insulation resistance	50MΩ min. (by 500V DC megger )	
vibration resistance	10 to 55Hz, 1.5mm peak-to-peak amplitude, 2hrs in X, Y, and Z directions	
voltage withstandability	1000V AC(50/60Hz) for one min. between all supply terminals connected together and enclosure	
insulation resistance	50MΩ, or more( with 500V DC megger )	
shock resistance	500m/s <sup>2</sup> 3 times in Y,Y, and Z directions	
protection	IP67 (IEC 529)	
weight	approx. 10g	

NPN TYPE  
CIRCUIT DIAGRAM



PNP TYPE  
CIRCUIT DIAGRAM



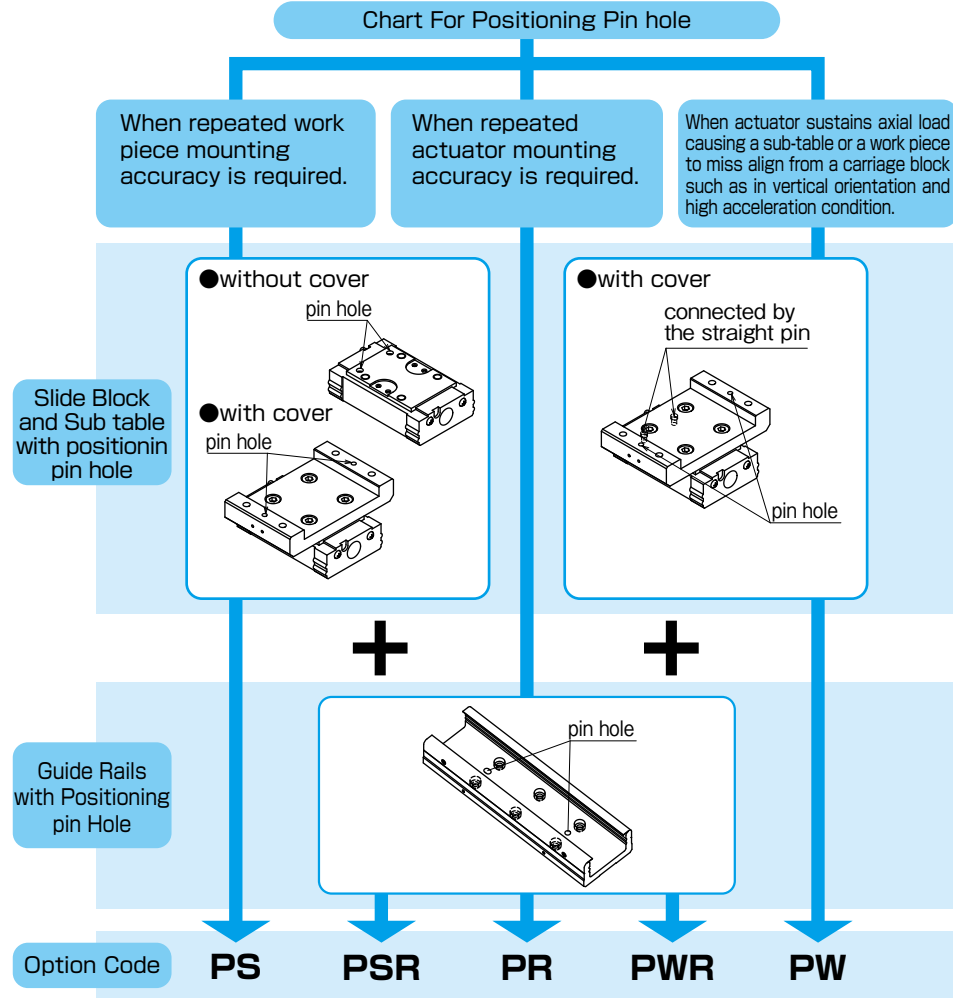
Please read the specifications and precautions of the manufacturer's catalog.



**POSITIONING PIN HOLE**

For the BG type, positioning pin holes can be provided on the slide block and sub table by adding the option code "PS" or "PW" in the end of the part number. The option code "PR" is used to provide the guide rail with positioning pin holes. When positioning pin holes are necessary on both the slide block/sub table and guide rail, please add the option code "PSR" or "PWR"

Table H-14 Chart For Positioning

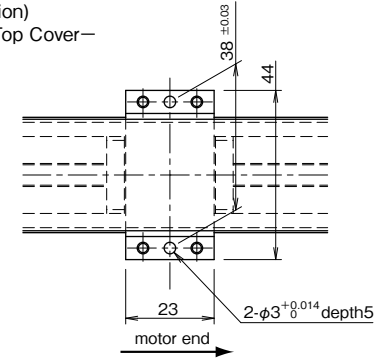


**Positioning Pin Hole for Slide Block and Sub Table**

It is useful when exacting reassembly positioning is required. In case of two blocks used, both blocks are processed. When the code "PS" is added, the drilling is processed only on the mounting surface (slide block or sub table). When the code "PW" is specified for a BG with a top cover (except for BG15), the slide block and sub table are connected by the straight pins at the location where the "PS" option specifies on the slide block. Note that NB does not supply straight pins for the "PS" option.

**BG15A,B (long block)**

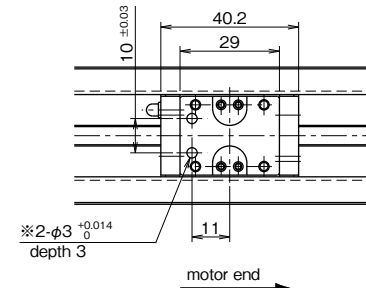
(PS Option)  
-With Top Cover-



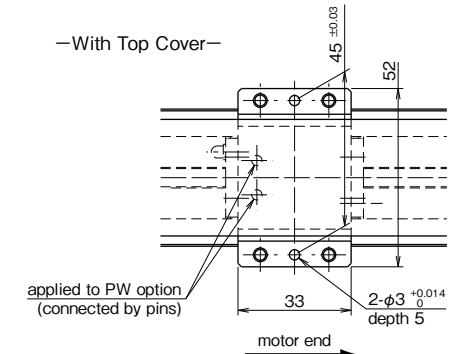
※Please contact NB for the without-top-cover option or the "PW" option.

**BG20A,B (long block)**

(PS Option)  
-Without Top Cover-



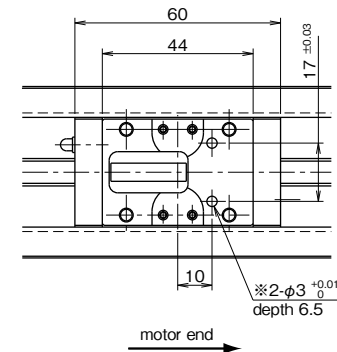
-With Top Cover-



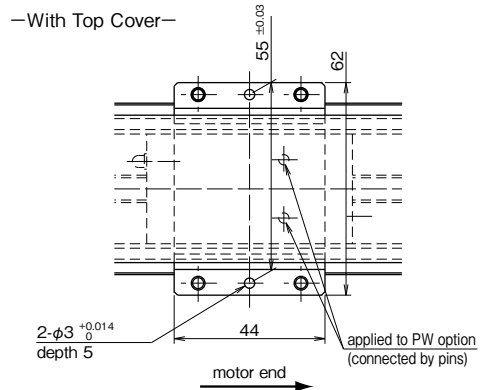
※For some cases, a shallow counterbore of φ4 will be machined at the hole area with "※" to remove a hardened layer.

**BG26A,B (long block)**

(PS Option)  
-Without Top Cover-



-With Top Cover-

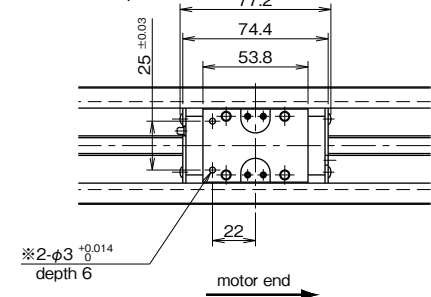


※For some cases, a shallow counterbore of φ4 will be machined at the hole area with "※" to remove a hardened layer.

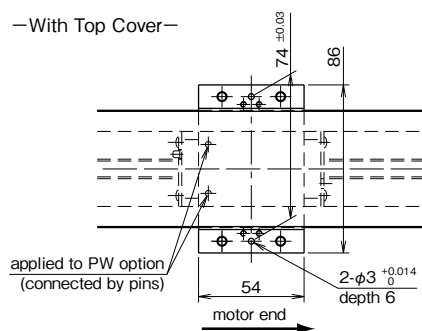
### BG33A,B (long block)

(PS Option)

—Without Top Cover—



—With Top Cover—

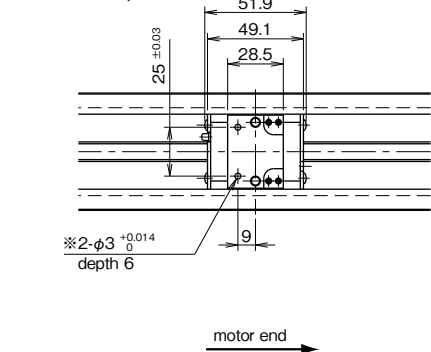


※For some cases, a shallow counterbore of φ4 will be machined at the hole area with "※" to remove a hardened layer.

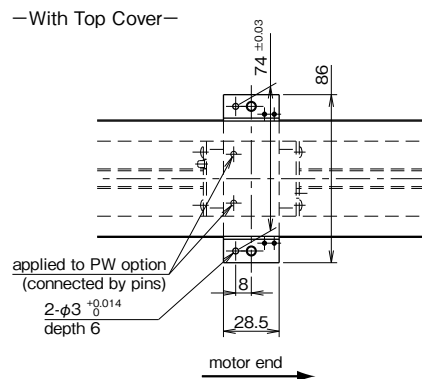
### BG33C,D (short block)

(PS Option)

—Without Top Cover—



—With Top Cover—

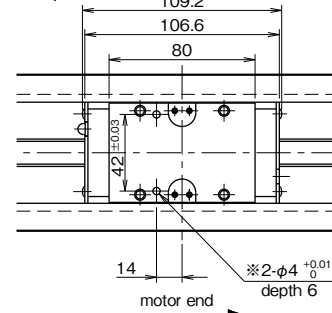


※For some cases, a shallow counterbore of φ4 will be machined at the hole area with "※" to remove a hardened layer.

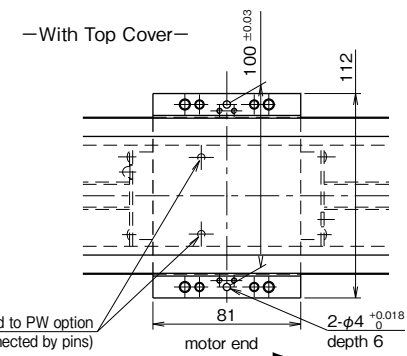
### BG46A,B (long block)

(PS Option)

—Without Top Cover—



—With Top Cover—

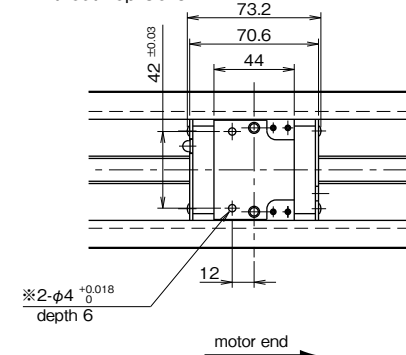


※For some cases, a shallow counterbore of φ5 will be machined at the hole area with "※" to remove a hardened layer.

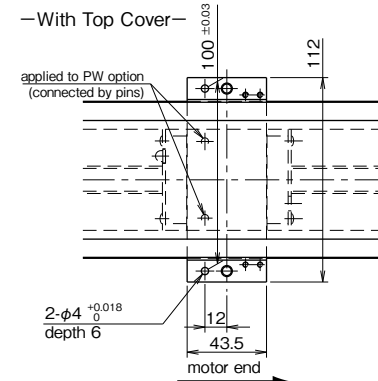
### BG46C,D (short block)

(PS Option)

—Without Top Cover—



—With Top Cover—

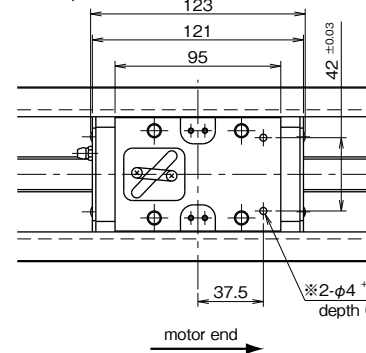


※For some cases, a shallow counterbore of φ5 will be machined at the hole area with "※" to remove a hardened layer.

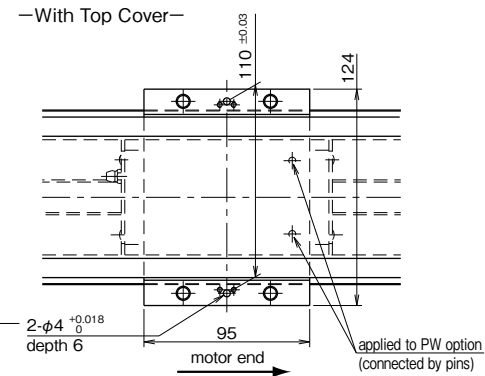
### BG55A,B (long block)

(PS Option)

—Without Top Cover—



—With Top Cover—



※For some cases, a shallow counterbore of φ5 will be machined at the hole area with "※" to remove a hardened layer.

POSITIONING PIN HOLE FOR GUIDE RAIL

It is useful to use positioning pin holes on the guide rail when exacting reassembly positioning is required. After the insertion of the straight pins in the BG guide rail base, the pins might interfere with the slide block. In the positioning process, please consider the BG base thickness. The length of the pin in the BG base shall be shorter than the BG base thickness. Please make sure that the pins shall not interfere with the slide block. Table H-15 shows the pin length in the BG base. Note that NB does not supply straight pins for the guide rail. (Parallel pin type A is recommended.)

Figure H-18 Positioning Pin Hole Location

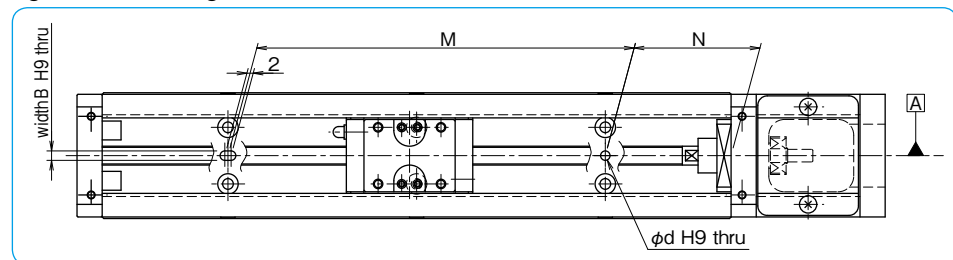


Table H-15 Positioning Pin Hole for Guide Rail unit:mm

part number	pin length (BG base thickness)	major dimensions				φd	B
		rail length	N	M			
<b>BG15</b>	3.5 or less	75	12.5	50	φ3 <sup>+0.025</sup> <sub>0</sub>	3 <sup>+0.025</sup> <sub>0</sub>	
		100	25				
		125	12.5	100			
		150	25				
		175	12.5				
<b>BG20</b>	4.5 or less	200	25	150			
		100	20	60			
		150	15	120			
<b>BG26</b>	6 or less	200	40				80
		150	35				
		200	20	160			
<b>BG33</b>	8 or less	250	45		100		
		300	30			50	
		150	25				
		200					
		300					
<b>BG46</b>	11 or less	400	70	200	φ5 <sup>+0.030</sup> <sub>0</sub>		5 <sup>+0.030</sup> <sub>0</sub>
		440		300			
		540		400			
		640		500			
		740		600			
		840		700			
		940		800			
		1,040		900			
		1,140		1,000			
		1,240		1,100			
<b>BG55</b>	13 or less	980	40	900	φ6 <sup>+0.030</sup> <sub>0</sub>	6 <sup>+0.030</sup> <sub>0</sub>	
		1,080	15	1,050			
		1,180	65				
		1,280	40	1,200			
		1,380	15	1,350			

LUBRICATION

- BG type contains a lithium soap based grease. (Multemp PS No.2, KYODO YUSHI) Apply similar type of grease for the lubrication as required depending on the operating conditions.
- Use the grease fitting to lubricate the slide block. For ball screw portion apply grease directly to the surface of screw shaft.
- ※ BG15 slide block has φ2mm oil holes instead of grease fitting.
- Unless otherwise instructed, a grease fitting is located as shown in Figure H-19.
- The grease can be changed to a high function type by adding a special grease option at the end of the part number. Please refer to Table H-16 for the grease type. Also refer to page Eng-39 for further details.

Figure H-19 Location of Grease Fitting

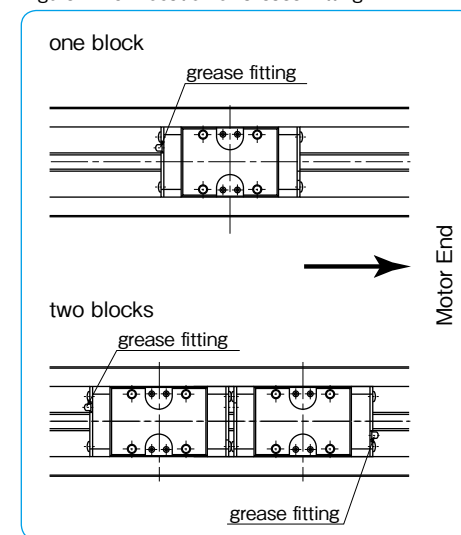


Table H-16 Applicable Grease

grease option	features	product name
none (standard)	—	Multemp PS No.2 (KYODO YUSHI)
GU	urea-type low dust generation grease; low sliding resistance	KGU Grease
GL	lithium-type low dust generation grease	KGL Grease
GF	urea-type anti-fretting grease	KGF Grease

OPERATING TEMPERATURE

- Resin parts are incorporated in the BG type. Please avoid using BG type above 80°C. Please use the product at 55°C or lower when sensor/bellows are optioned.

USE AND HANDLING PRECAUTIONS

- Please handle as a precision component and avoid excessive vibration or shock.
- Rough handling will affect the smooth motion and reduce the precision performance and life time.
- DO NOT DISASSEMBLE. The accuracy of BG type is preadjusted when assembled.
- Please allow for extra stroke length. If the guide block repeatedly collides with damper, it may cause damage.
- Please never touch the area at both stroke ends during operation. There is a danger for the fingers to be caught at the stroke end. Please pay enough attention to the guide rail area even when not in operation, there is a danger for the fingers to be injured by the dust cover.
- Depending upon the operating environment, dust and foreign particles may contaminate BG type and disrupt the ball circulation and precision performance.

# SLIDE SCREW

<b>SLIDE SCREW</b>	
STRUCTURE AND ADVANTAGES	.....I-2
SIZE SELECTION	.....I-3
INSTALLATION	.....I-6
USE AND HANDLING PRECAUTIONS	.....I-6
SPECIAL REQUIREMENTS	.....I-6
DIMENSION TABLE	.....I-7

# SLIDE SCREW

The NB slide screw converts rotational motion into linear motion by utilizing the friction between radial ball bearings and a shaft. This simple mechanism eases maintenance and installation work. The slide screw is most commonly used as transport devices in many types of machines, and is not intended for accurate positioning requirements.

## STRUCTURE AND ADVANTAGES

The NB slide screw consists of two aluminum blocks, each with three radial bearings with a fixed angle between them. A round shaft is inserted between the two blocks, and its rotation produces linear motion determined by the contact angle between the shaft and the bearings. For variable loads, the thrust is adjusted by turning the spring loaded thrust adjustment bolts.

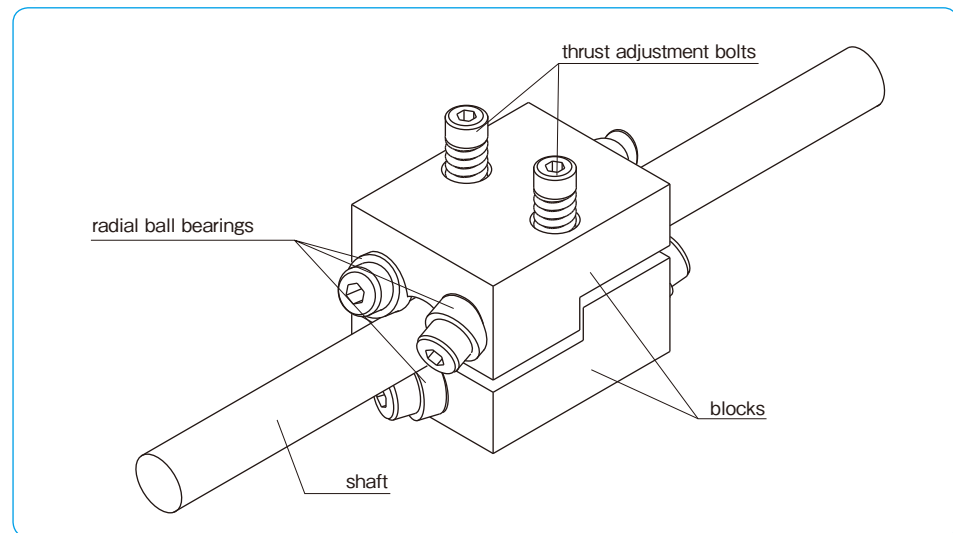
### Linear Motion on Round-shaft

The NB slide screw is suitable for long-stroke applications using a standard linear shaft.

### High Machine Efficiency

The slide screw utilizes the rotational motion of the bearings and drive shaft to achieve machine efficiency as high as 90%.

Figure I-1 Structure of NB Slide Screw



## SIZE SELECTION

### Required Thrust

Tightening of the bolts creates a thrust force by pushing the bearings against the shaft. This results in a constant force being applied to the bearings regardless of the load.

The thrust should not be greater than required force in the application.

For the horizontal application, the frictional resistance is calculated by the following equation.

$$F_1 = \mu \cdot g \cdot W \dots\dots\dots (1)$$

F<sub>1</sub>: frictional resistance (N) μ: friction coefficient  
W: mass of work (kg)  
g: gravitational acceleration (9.8 m/sec<sup>2</sup>)

A sufficient safety margin should be achieved by setting μ = 0.01. Also, the inertia at starting and stopping should be taken into consideration.

$$F_2 = W \frac{dv}{dt} \dots\dots\dots (2)$$

F<sub>2</sub>: inertia (N) W: mass of work (kg)  
dv/dt: acceleration (9.8m/sec<sup>2</sup>)

Therefore, the required thrust is its maximum at starting point due to the combination of frictional resistance and inertia.

$$F = F_1 + F_2 \dots\dots\dots (3)$$

F: thrust (N) F<sub>1</sub>: frictional resistance (N) F<sub>2</sub>: inertia (N)

### Rated Life

The rated life is expressed in terms of the number of revolutions of the drive shaft by Equation (4). The corresponding total travel distance and life time are given in Equations (5) and (6) respectively.

Rated life

$$L = \left(\frac{C_F}{F}\right)^3 10^6 \dots\dots\dots (4)$$

Total travel distance

$$L_s = \frac{L \cdot \ell}{10^6} \dots\dots\dots (5)$$

Life time

$$L_h = \frac{L}{60 \cdot n} \dots\dots\dots (6)$$

L: rated life (rev) C<sub>F</sub>: basic dynamic load rating (thrust) (N)  
F: thrust (N) L<sub>s</sub>: travel life (km) ℓ: lead (mm)  
L<sub>h</sub>: life time (hr) n: revolutions per min (rpm)

Table I-1 Basic Dynamic Load Rating (Thrust)

part number	C <sub>F</sub> :basic dynamic load rating (thrust) (N)
SS 6	98
SS 8	294
SS10	441
SS12	588
SS13	588
SS16	784
SS20	1,080
SS25	1,470
SS30	2,160

### Allowable Rotational Speed

When the rotational speed is increased and approaches the shaft resonant frequency, the shaft is disabled from further operation. This speed is called the critical speed and can be obtained by the following equation. In order to leave a sufficient safety margin, the maximum operating speed should be set at about 80% of the calculated value.

$$N_c = \frac{60\lambda^2}{2\pi L^2} \cdot \sqrt{\frac{EI \times 10^3}{\gamma A}} \dots\dots\dots (7)$$

Nc: critical speed (rpm)  
 E: modulus of direct elasticity (N/mm<sup>2</sup>)  
 γ: density (kg/mm<sup>3</sup>)  
 λ: installation coefficient (refer to Figure I-3)  
 L: support distance (mm)  
 I: geometrical moment of inertia (mm<sup>4</sup>)  
 A: cross-sectional area of the shaft (mm<sup>2</sup>)

If modulus of direct elasticity is 2.06 × 10<sup>5</sup> N/mm<sup>2</sup> and density is 7.85 × 10<sup>-6</sup> kg/mm<sup>3</sup>, the critical speed for a solid shaft is:

$$N_c = 12.2 \cdot \frac{\lambda^2}{L^2} D \times 10^6 \dots\dots\dots (8)$$

Nc: critical speed (rpm)  
 λ: installation coefficient (refer to Figure I-3)  
 L: support distance (mm) D: shaft diameter (mm)

Figure I-2 Critical Speed and Support Distance

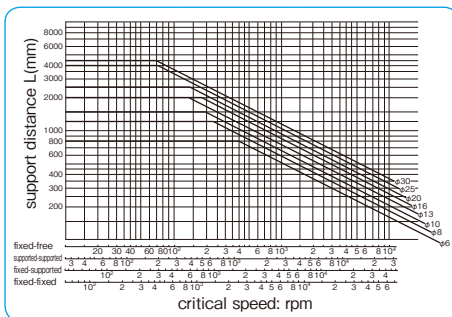
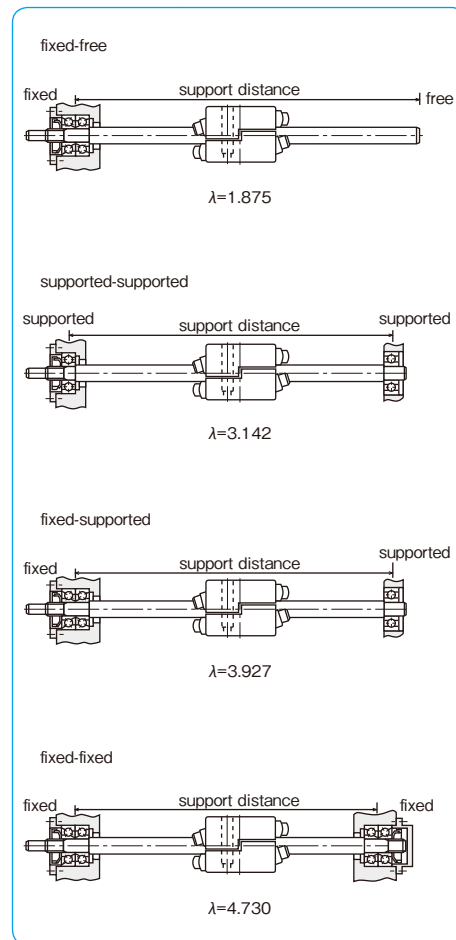


Figure I-3 Mounting of Slide Screw



### Calculation Example

1. Selecting a slide screw that satisfies the following conditions:

- Support method: fixed-supported
- Support distance: 1,500 mm
- External force: 98 N
- Table mass: 50 kg
- Stroke distance: 1,200 mm
- Friction coefficient: 0.01
- Maximum speed of transfer: 12 m/min
- Cycles per minute: 4

● Determination of required thrust:

$$F = 98 + (0.01 \times 50 \times 9.8) = 102.9 \text{ N}$$

Therefore, based on the maximum thrust in the dimension table, at least SS10 is required in size.

● Allowable rotational speed:

From Equation (8), according to the conditions, the critical speed Nc is.

$$N_c = 12.2 \cdot \frac{\lambda^2}{L^2} \cdot D \times 10^6 \quad \left[ \begin{array}{l} \lambda = 3.927 \\ L = 1500 \text{ mm} \end{array} \right]$$

$$= 83.6 \text{ D rev}$$

Applying a safety factor of 0.8, the maximum speed is given by:

$$V_{max} = \frac{0.8 \cdot N_c \cdot \ell}{1000} \text{ m/min}$$

(ℓ: lead mm)

The following table summarizes the results of the calculations above for SS10 to SS16.

Table I-2 Maximum Speed

part number	shaft diameter D mm	lead ℓ mm	critical speed Nc rpm	maximum speed Vmax m/min
SS10-10	10	10	836	6.68
SS10-15		15		10.0
SS13-13	13	13	1,086	11.2
SS13-15		15		13.0
SS16-16	16	16	1,337	17.1

Therefore, the SS13-15 and SS16-16 slide screws satisfy the given conditions.

● Life Calculation

The life for the SS13-15 slide screw is calculated as follows. The rated life is obtained using Equation (4).

$$L = \left[ \frac{C_F}{F} \right]^3 \times 10^6 = 186 \times 10^6 \text{ rev}$$

The average number of rotations that satisfies the conditions is:

$$n = \frac{1,200 \times 2 \times 4}{15} = 640 \text{ rev}$$

The life in terms of time is:

$$L_h = \frac{L}{60 \times n} = 4,840 \text{ (h)}$$

For the SS16-16 slide screw:

$$L = 4.40 \times 10^6 \text{ rev}$$

$$n = 600 \text{ rev}$$

$$L_h = 12,200 \text{ (h)}$$

2. Determining the maximum speed of transfer under the following conditions:

Support method: fixed-supported

Support distance: 2,000 mm

Slide screw selected: SS16-16

The critical speed is obtained from Equation (8):

$$N_c = 12.2 \cdot \frac{\lambda^2}{L^2} \cdot D \times 10^6 \quad \left[ \begin{array}{l} \lambda = 3.927 \\ L = 2000 \text{ mm} \\ D = 16 \text{ mm} \end{array} \right]$$

$$= 752 \text{ rpm}$$

Applying a safety factor of 0.8, the maximum speed of transfer is:

$$V_{max} = \frac{0.8 \cdot N_c \cdot \ell}{1000} \text{ m/min } (\ell: \text{lead mm})$$

$$= 9.6 \text{ m/min}$$

## INSTALLATION

1. Clean dust from drive shaft.
2. Place shaft between upper and lower blocks. Lightly tighten thrust adjustment bolts until the clearance between the shaft and the bearings diminishes.
3. Temporarily attach the slide screw to the table.
4. Adjust the parallelism between the slide screw and the linear motion guides by manually moving the table back and forth. Fix the shaft accurately after the required parallelism is achieved.
5. Tighten the thrust adjustment bolts evenly while applying a thrust force to the table until slippage disappears. Care should be required to avoid excessive tightening which results in shortening the rated life.

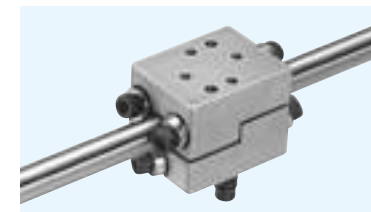
## USE AND HANDLING PRECAUTIONS

- It is recommended to use a heat-treated ground shaft such as NB shaft to prevent wear and to obtain smooth motion. (refer to page F-2)
- Since the slide screw utilizes the friction between the bearings and the shaft, the lead varies due to the effect of load variation, movement direction, and shaft conditions. As the values of standard lead are advisory, highly accurate positioning can be obtained by attaching a linear scale to the table.
- If the slide screw and linear motion guides are not parallel, an unbalanced load will be applied to the slide screw. Exercise care in controlling the parallelism.
- The slide screw slips on the shaft, if an excessive load is applied, in order to prevent damage. However, frequent slippage should be avoided in order not to shorten the travel life.
- Please transfer the radial load to linear motion guides since the radial load on the slide screw shortens the rated life. For long stroke applications, it is recommended to use linear and rotary motion components such as Slide Rotary Bush (refer to page E-8) along with a slide screw.

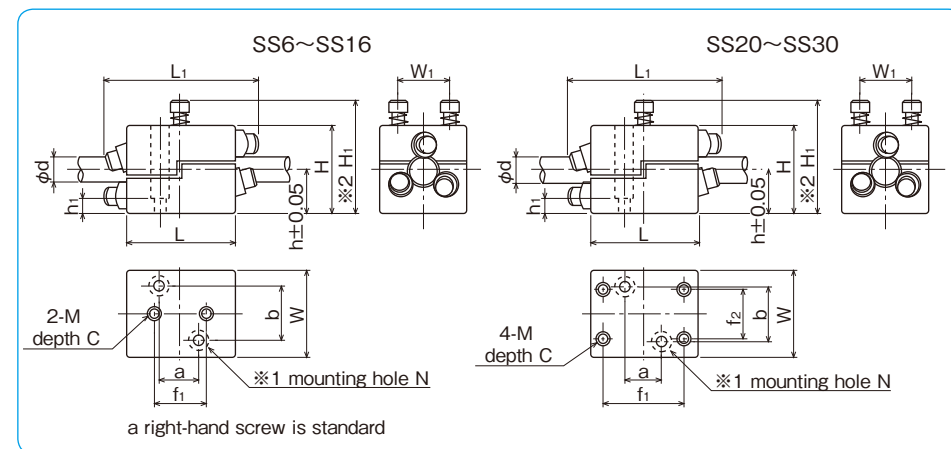
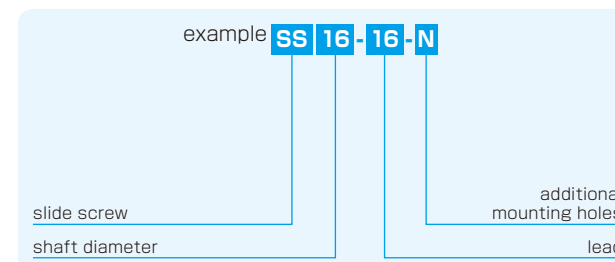
## SPECIAL REQUIREMENTS

NB can fabricate slide screws to meet special requirements, including screws with a special lead or a reverse lead. Contact NB for further information.

## SS TYPE



### part number structure



part number	shaft diameter d	major dimensions														standard lead ※3	maximum thrust	maximum tightening torque	mass	
		H	W	L	h	H <sub>1</sub>	L <sub>1</sub>	W <sub>1</sub>	f <sub>1</sub>	f <sub>2</sub>	a	b	M	C	N					h <sub>1</sub>
<b>SS 6</b>	6	20.5	20	25	10	28	36	12	10	—	—	—	M3	6.5	—	—	6, 9	24.5	0.03	0.03
<b>SS 8</b>	8	28.5	28	40	14	40	56	18	18	—	—	—	M4	9	—	—	8,12	73.5	0.14	0.09
<b>SS10</b>	10	36.5	36	46	18	51	62	24	20	—	20	24	M4	12	M4	8	10,15	118	0.25	0.17
<b>SS12</b>	12	40.5	40	50	20	54	72	25	25	—	20	25	M5	12.5	M4	10	12,18	147	0.31	0.22
<b>SS13</b>	13	40.5	40	50	20	54	72	25	25	—	20	25	M5	12.5	M4	10	13,15	147	0.31	0.22
<b>SS16</b>	16	50.5	50	60	25	62	86	32	30	—	25	32	M5	16	M5	10	16,24	196	0.41	0.39
<b>SS20</b>	20	60.5	60	70	30	71	97	40	50	40	30	40	M6	12	M6	10	20,30	265	0.56	0.57
<b>SS25</b>	25	76.5	76	80	38	82	110	50	60	50	32	50	M8	12	M8	15	25	392	1.1	1.05
<b>SS30</b>	30	89	90	88	44	92	127	60	60	70	36	60	M8	15	M8	15	30,45	539	1.4	1.65

※1 The mounting holes are machined on request.

※2 H<sub>1</sub> is the minimum height when the maximum thrust is applied.

※3 The values of standard lead are advisory.

1N≒0.102kgf 1N·m≒0.102kgf·m



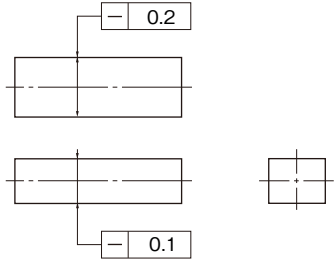
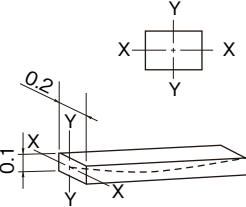
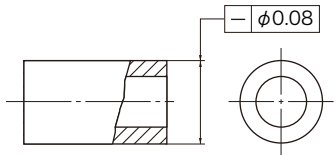
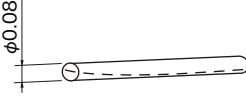
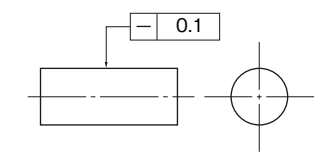
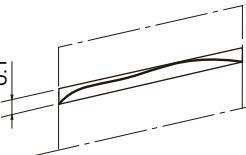
**TECHNICAL  
REFERENCE**



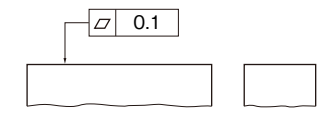
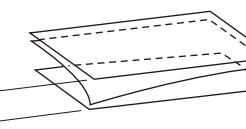
DEFINITIONS AND DESIGNATIONS OF GEOMETRICAL DEVIATIONS (JIS B0621)

TOLERANCING OF FORM, ORIENTATION, LOCATION AND RUN-OUT (JIS B0021)

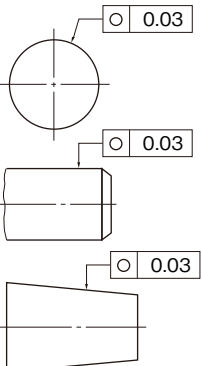
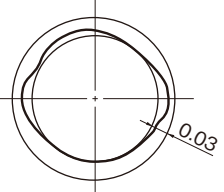
**STRAIGHTNESS** Straightness indicates the degree of deviation of a straight portion from the geometrical straight line.

<p>Straightness of two directions perpendicular to each other (Axis of a rectangular parallelepiped)</p> 	<p>Space inside the prism enclosed by two pairs of parallel planes with intervals of 0.2mm and 0.1mm in the directions of indicated arrows</p> 
<p>Straightness with no direction defined (Axis of a cylinder)</p> 	<p>Space inside a cylinder with a diameter of 0.08mm</p> 
<p>Straightness of a surface element (Generatrix of a cylinder)</p> 	<p>Space between a pair of parallel straight lines with an interval of 0.1mm on an arbitrary plane including the axis</p> 

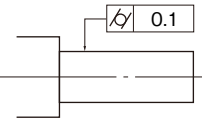
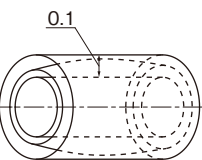
**FLATNESS** Flatness indicates the degree of deviation of a flat portion from the geometrical plane.

<p>General flatness</p> 	<p>Space between a pair of parallel planes with an interval of 0.1mm</p> 
---	--

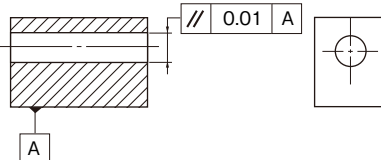
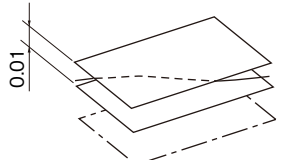
**CIRCULARITY** Circularity indicates the degree of deviation of a circular portion from the geometrical circle.

	<p>Space between two concentric circles with a radius difference of 0.03mm. Applicable to an arbitrary cross section perpendicular to the axis.</p> 
---	---

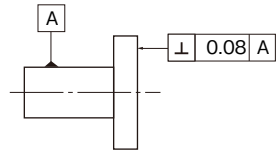
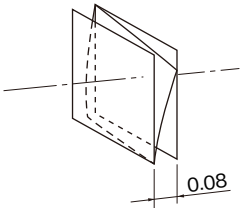
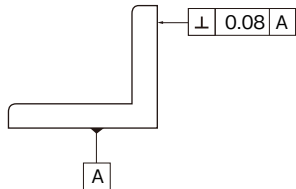
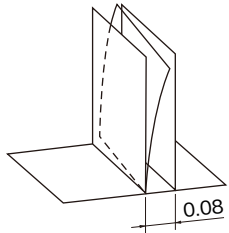
**CYLINDRICITY** Cylindricity indicates the degree of deviation of a cylindrical portion from the geometrical cylindrical surface.

	<p>Space between two concentric cylinders with a radius difference of 0.1mm</p> 
--	--

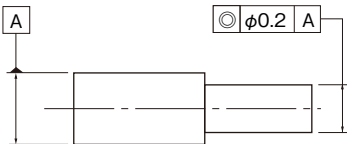
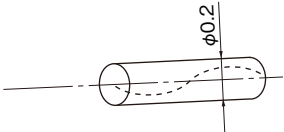
**PARALLELISM** Parallelism assumes a combination of two straight portions, a straight portion and a flat portion, or two flat portions which must be parallel to each other. Parallelism indicates, with one of the two portions as a reference, the degree of deviation of the other straight or flat portion from the geometrical straight line or plane parallel to the reference straight line or plane.

<p>Parallelism of a straight portion with respect to the reference plane (Axis of a hole)</p> 	<p>Space between two parallel planes with an interval of 0.01mm, parallel to the reference plane</p> 
---	--

**PERPENDICULARITY** Perpendicularity assumes a combination of two straight portions, a straight portion and a flat portion, or two flat portions which must be perpendicular to each other. Perpendicularity indicates, with one of the two portions as a reference, the degree of deviation of the other straight or flat portion from the geometrical straight line or plane.

<p>Perpendicularity of a flat portion with respect to the reference straight line (with the axis of a cylinder as a reference)</p> 	<p>Space between two parallel planes with an interval of 0.08mm, perpendicular to the reference straight line</p> 
<p>Perpendicularity of a flat portion with respect to the reference plane</p> 	<p>Space between two parallel planes with an interval of 0.08mm, perpendicular to the reference plane</p> 

**CONCENTRICITY** Concentricity indicates the degree of deviation from the axis which must be on the same straight line as the reference axis.

<p>Concentricity of a cylindrical portion</p> 	<p>Space inside a cylinder with a diameter of 0.2mm, concentric with the reference axis</p> 
---	---

Hardness Conversion Table

Rockwell C scale hardness HRC (load 150kg)	Vickers Hardness HV	Brinell hardness HBW		Rockwell hardness		Shore hardness HS
		standard sphere	tungsten sphere	HRA A scale load 60 kg brale pressure point	HRBS B scale load 100 kg 1/16-inch-diameter sphere	
68	940	—	—	85.6	—	97
67	900	—	—	85.0	—	95
66	865	—	—	84.5	—	92
65	832	—	739	83.9	—	91
64	800	—	722	83.4	—	88
63	772	—	705	82.8	—	87
62	746	—	688	82.3	—	85
61	720	—	670	81.8	—	83
60	697	—	654	81.2	—	81
59	674	—	634	80.7	—	80
58	653	—	615	80.1	—	78
57	633	—	595	79.6	—	76
56	613	—	577	79.0	—	75
55	595	—	560	78.5	—	74
54	577	—	543	78.0	—	72
53	560	—	525	77.4	—	71
52	544	500	512	76.8	—	69
51	528	487	496	76.3	—	68
50	513	475	481	75.9	—	67
49	498	464	469	75.2	—	66
48	484	451	455	74.7	—	64
47	471	442	443	74.1	—	63
46	458	432	432	73.6	—	62
45	446	421	421	73.1	—	60
44	434	409	409	72.5	—	58
43	423	400	400	72.0	—	57
42	412	390	390	71.5	—	56
41	402	381	381	70.9	—	55
40	392	371	371	70.4	—	54
39	382	362	362	69.9	—	52
38	372	353	353	69.4	—	51
37	363	344	344	68.9	—	50
36	354	336	336	68.4	(109.0)	49
35	345	327	327	67.9	(108.5)	48
34	336	319	319	67.4	(108.0)	47
33	327	311	311	66.8	(107.5)	46
32	318	301	301	66.3	(107.0)	44
31	310	294	294	65.8	(106.0)	43
30	302	286	286	65.3	(105.5)	42
29	294	279	279	64.7	(104.5)	41
28	286	271	271	64.3	(104.0)	41
27	279	264	264	63.8	(103.0)	40
26	272	258	258	63.3	(102.5)	38
25	266	253	253	62.8	(101.5)	38
24	260	247	247	62.4	(101.0)	37
23	254	243	243	62.0	100.0	36
22	248	237	237	61.5	99.0	35
21	243	231	231	61.0	98.5	35
20	238	226	226	60.5	97.8	34
(18)	230	219	219	—	96.7	33
(16)	222	212	212	—	95.5	32
(14)	213	203	203	—	93.9	31
(12)	204	194	194	—	92.3	29
(10)	196	187	187	—	90.7	28
(8)	188	179	179	—	89.5	27
(6)	180	171	171	—	87.1	26
(4)	173	165	165	—	85.5	25
(2)	166	158	158	—	83.5	24
(0)	160	152	152	—	81.7	24

Shaft Dimensional Tolerance

diameter category mm	a13		c12		d6		e6		f5		f6		g5		g6		h5		h6		h7		h8		h9		h10			
	greater than	or less	upper	lower	upper	lower	upper	lower	upper	lower	upper	lower	upper	lower	upper	lower	upper	lower	upper	lower	upper	lower	upper	lower	upper	lower	upper	lower	upper	lower
—	3		-270	-410	-60	-160	-20	-26	-14	-20	-6	-10	-6	-12	-2	-6	0	-4	0	-6	0	-10	0	-14	0	-25	0	-40		
3	6		-270	-450	-70	-190	-30	-38	-20	-28	-10	-15	-10	-18	-4	-9	-4	-12	0	-5	0	-8	0	-12	0	-18	0	-30	0	-48
6	10		-280	-500	-80	-230	-40	-49	-25	-34	-13	-19	-13	-22	-5	-11	-5	-14	0	-6	0	-9	0	-15	0	-22	0	-36	0	-58
10	14		-290	-560	-95	-275	-50	-61	-32	-43	-16	-24	-16	-27	-6	-14	-6	-17	0	-8	0	-11	0	-18	0	-27	0	-43	0	-70
14	18		-300	-630	-110	-320	-65	-78	-40	-53	-20	-29	-20	-33	-7	-16	-7	-20	0	-9	0	-13	0	-21	0	-33	0	-52	0	-84
18	24		-310	-700	-120	-370	-80	-96	-50	-66	-25	-36	-25	-41	-9	-20	-9	-25	0	-11	0	-16	0	-25	0	-39	0	-62	0	-100
24	30		-340	-800	-140	-440	-100	-119	-60	-79	-30	-43	-30	-49	-10	-23	-10	-29	0	-13	0	-19	0	-30	0	-46	0	-74	0	-120
30	40		-380	-920	-170	-520	-120	-142	-72	-94	-36	-51	-36	-58	-12	-27	-12	-34	0	-15	0	-22	0	-35	0	-54	0	-87	0	-140
40	50		-460	-1090	-200	-600	-145	-170	-85	-110	-43	-61	-43	-68	-14	-32	-14	-39	0	-18	0	-25	0	-40	0	-63	0	-100	0	-160
50	65		-520	-1150	-210	-610	-155	-180	-90	-115	-45	-63	-45	-70	-14	-33	-14	-40	0	-18	0	-25	0	-40	0	-63	0	-100	0	-160
65	80		-580	-1210	-230	-630	-170	-200	-100	-129	-50	-70	-50	-79	-15	-35	-15	-44	0	-20	0	-29	0	-46	0	-72	0	-115	0	-185
80	100		-660	-1380	-240	-700	-190	-222	-110	-142	-56	-79	-56	-88	-17	-40	-17	-49	0	-23	0	-32	0	-52	0	-81	0	-130	0	-210
100	120		-740	-1460	-260	-720	-210	-240	-120	-150	-60	-80	-60	-90	-18	-43	-18	-53	0	-25	0	-35	0	-56	0	-85	0	-140	0	-230
120	140		-820	-1540	-280	-740	-230	-260	-130	-160	-65	-85	-65	-95	-19	-45	-19	-55	0	-26	0	-36	0	-57	0	-87	0	-145	0	-240
140	160		-920	-1730	-300	-820	-250	-280	-140	-170	-70	-90	-70	-100	-20	-47	-20	-57	0	-27	0	-37	0	-58	0	-88	0	-150	0	-250
160	180		-1050	-1960	-330	-900	-280	-310	-150	-180	-75	-95	-75	-105	-21	-49	-21	-59	0	-28	0	-38	0	-59	0	-89	0	-155	0	-260
180	200		-1200	-2090	-360	-930	-310	-340	-160	-190	-80	-100	-80	-110	-22	-51	-22	-61	0	-29	0	-39	0	-60	0	-90	0	-160	0	-270
200	225		-1350	-2240	-400	-970	-340	-370	-170	-200	-85	-105	-85	-115	-23	-52	-23	-62	0	-30	0	-40	0	-61	0	-91	0	-165	0	-280
225	250		-1500	-2470	-440	-1070	-370	-400	-180	-210	-90	-110	-90	-120	-24	-54	-24	-64	0	-31	0	-41	0	-62	0	-92	0	-170	0	-290
250	280		-1650	-2620	-480	-1110	-400	-430	-190	-220	-95	-115	-95	-125	-25	-55	-25	-65	0	-32	0	-42	0	-63	0	-93	0	-175	0	-300
280	315																													
315	355																													
355	400																													
400	450																													
450	500																													

Housing Bore Dimensional Tolerance

diameter category mm	E10		E11		F6		F7		F8		G6		G7		H5		H6		H7		H8		H9		H10					
	greater than	or less	upper	lower	upper	lower	upper	lower	upper	lower	upper	lower	upper	lower	upper	lower	upper	lower	upper	lower	upper	lower	upper	lower	upper	lower	upper	lower		
—	3		+54	+14	+74	+14	+12	+6	+16	+6	+20	+6	+8	+2	+12	+2	+4	0	+6	0	+10	0	+14	0	+25	0	+40	0		
3	6		+68	+20	+95	+20	+18	+10	+22	+10	+28	+10	+12	+4	+16	+4	+5	0	+8	0	+12	0	+18	0	+30	0	+48	0		
6	10		+83	+25	+115	+25	+22	+13	+28	+13	+35	+13	+14	+5	+20	+5	+6	0	+9	0	+15	0	+22	0	+36	0	+58	0		
10	14		+102	+32	+142	+32	+27	+16	+34	+16	+43	+16	+17	+6	+24	+6	+8	0	+11	0	+18	0	+27	0	+43	0	+70	0		
14	18		+124	+40	+170	+40	+33	+20	+41	+20	+53	+20	+20	+7	+28	+7	+9	0	+13	0	+21	0	+33	0	+52	0	+84	0		
18	24		+150	+50	+210	+50	+41	+25	+50	+25	+64	+25	+25	+9	+34	+9	+11	0	+16	0	+25	0	+39	0	+62	0	+100	0		
24	30		+180	+60	+250	+60	+49	+30	+60	+30	+76	+30	+29	+10	+40	+10	+13	0	+19	0	+30	0	+46	0	+74	0	+120	0		
30	40		+212	+72	+292	+72	+58	+36	+71	+36	+90	+36	+34	+12	+47	+12	+15	0	+22	0	+35	0	+54	0	+87	0	+140	0		
40	50		+245	+85	+335	+85	+68	+43	+83	+43	+106	+43	+39	+14	+54	+14	+18	0	+25	0	+40	0	+63	0	+100	0	+160	0		
50	65		+285	+100	+390	+100	+79	+50	+96	+50	+122	+50	+44	+15	+61	+15	+20	0	+29	0	+46	0	+72	0	+115	0	+185	0		
65	80		+320	+110	+430	+110	+88	+56	+108	+56	+137	+56	+49	+17	+69	+17	+23	0	+32	0	+52	0	+81	0	+130	0	+210	0		
80	100		+355	+125	+485	+125	+98	+62	+119	+62	+151	+62	+54	+18	+75	+18	+25	0	+36	0	+57	0	+89	0	+140	0	+230	0		
100	120		+385	+135	+535	+135	+108	+68	+131	+68	+165	+68	+60	+20	+83	+20	+27	0	+40	0	+63	0	+97	0	+155	0	+250	0		
120	140																													
140	160																													
160	180																													
180	200																													
200	225																													
225	250																													
250	280																													
280	315																													
315	355																													
355	400																													
400	450																													
450	500																													

unit : μm

diameter category mm	js5		js6		j5		j6		k5		k6		m5	
----------------------	-----	--	-----	--	----	--	----	--	----	--	----	--	----	--

## INDEX

<b>A</b>	
<b>AK</b> . . . . .	Slide Bush: Compact Block Type . . . . . C- 122
<b>AK-G</b> . . . . .	Slide Bush: Compact Block Type . . . . . C- 122
<b>AK-GW</b> . . . . .	Slide Bush: Double-Wide Compact Block Type . . . . . C- 124
<b>AK-R</b> . . . . .	Slide Rotary Bush: Compact Block Type . . . . . E- 18
<b>AK-RW</b> . . . . .	Slide Rotary Bush: Double-Wide Compact Block Type . . . . . E- 19
<b>AK-W</b> . . . . .	Slide Bush: Double-Wide Compact Block Type . . . . . C- 124
<b>AKS</b> . . . . .	Slide Bush: Compact Block Type, Anticorrosion . . . . . C- 122
<b>AKS-G</b> . . . . .	Slide Bush: Compact Block Type, Anticorrosion . . . . . C- 122
<b>AKS-GW</b> . . . . .	Slide Bush: Double-Wide Compact Block Type, Anticorrosion . . . . . C- 124
<b>AKS-W</b> . . . . .	Slide Bush: Double-Wide Compact Block Type, Anticorrosion . . . . . C- 124
<b>B</b>	
<b>BG</b> . . . . .	Actuator: Integrated Guide and Ball Screw System . . . . . H- 1
<b>BT</b> . . . . .	Slide Way: Special Mounting Screw . . . . . G- 9
<b>C</b>	
<b>CD</b> . . . . .	Slide Bush: Clearance Adjustable Type . . . . . C- 138
<b>CDS</b> . . . . .	Slide Bush: Clearance Adjustable Type, Anticorrosion . . . . . C- 138
<b>CE</b> . . . . .	Slide Bush: Non-Clearance Adjustable Type . . . . . C- 136
<b>CES</b> . . . . .	Slide Bush: Non-Clearance Adjustable Type, Anticorrosion . . . . . C- 136
<b>CR</b> . . . . .	Gonio Way: Curved Roller Cage . . . . . G- 70
<b>F</b>	
<b>F</b> . . . . .	Slide Guide: Special Cap . . . . . A- 15
<b>FLM</b> . . . . .	Slide Bush: Felt Seal . . . . . C- 12
<b>FP</b> . . . . .	Ball Spline: Lock Plate . . . . . B- 16
<b>G</b>	
<b>GG1</b> . . . . .	Grease Gun Set . . . . . Eng- 42
<b>GM</b> . . . . .	Slide Bush: Light Weight Single Type . . . . . C- 114
<b>GM-W</b> . . . . .	Slide Bush: Light Weight Double-Wide Type . . . . . C- 115
<b>GW</b> . . . . .	Slide Bush (Inch Standard): Light Weight Single Type . . . . . C- 116
<b>K</b>	
<b>KB</b> . . . . .	Slide Bush (Euro Standard): Standard Type . . . . . C- 78
<b>KB-AJ</b> . . . . .	Slide Bush (Euro Standard): Clearance Adjustable Type . . . . . C- 80
<b>KB-G</b> . . . . .	Slide Bush (Euro Standard): Standard Type . . . . . C- 78
<b>KB-G-AJ</b> . . . . .	Slide Bush (Euro Standard): Clearance Adjustable Type . . . . . C- 80
<b>KB-G-OP</b> . . . . .	Slide Bush (Euro Standard): Open Type . . . . . C- 82
<b>KB-GW</b> . . . . .	Slide Bush (Euro Standard): Double-Wide Type . . . . . C- 84
<b>KB-OP</b> . . . . .	Slide Bush (Euro Standard): Open Type . . . . . C- 82
<b>KB-W</b> . . . . .	Slide Bush (Euro Standard): Double-Wide Type . . . . . C- 84
<b>KBF</b> . . . . .	Slide Bush (Euro Standard): Round Flange Type . . . . . C- 86
<b>KBF-G</b> . . . . .	Slide Bush (Euro Standard): Round Flange Type . . . . . C- 86
<b>KBF-GW</b> . . . . .	Slide Bush (Euro Standard): Round Flange Double-Wide Type . . . . . C- 90
<b>KBF-W</b> . . . . .	Slide Bush (Euro Standard): Round Flange Double-Wide Type . . . . . C- 90
<b>KBFC</b> . . . . .	Slide Bush (Euro Standard): Center Mount Round Flange Type . . . . . C- 94

<b>KBFC-G</b> . . . . .	Slide Bush (Euro Standard): Center Mount Round Flange Type . . . . . C- 94
<b>KBK</b> . . . . .	Slide Bush (Euro Standard): Square Flange Type . . . . . C- 88
<b>KBK-G</b> . . . . .	Slide Bush (Euro Standard): Square Flange Type . . . . . C- 88
<b>KBK-GW</b> . . . . .	Slide Bush (Euro Standard): Square Flange Double-Wide Type . . . . . C- 92
<b>KBK-W</b> . . . . .	Slide Bush (Euro Standard): Square Flange Double-Wide Type . . . . . C- 92
<b>KBKC</b> . . . . .	Slide Bush (Euro Standard): Center Mount Square Flange Type . . . . . C- 96
<b>KBKC-G</b> . . . . .	Slide Bush (Euro Standard): Center Mount Square Flange Type . . . . . C- 96
<b>KBS</b> . . . . .	Slide Bush (Euro Standard): Standard Type, Anticorrosion . . . . . C- 78
<b>KBS-AJ</b> . . . . .	Slide Bush (Euro Standard): Clearance Adjustable Type, Anticorrosion . . . . . C- 80
<b>KBS-G</b> . . . . .	Slide Bush (Euro Standard): Standard Type, Anticorrosion . . . . . C- 78
<b>KBS-G-AJ</b> . . . . .	Slide Bush (Euro Standard): Clearance Adjustable Type, Anticorrosion . . . . . C- 80
<b>KBS-G-OP</b> . . . . .	Slide Bush (Euro Standard): Open Type, Anticorrosion . . . . . C- 82
<b>KBS-GW</b> . . . . .	Slide Bush (Euro Standard): Double-Wide Type, Anticorrosion . . . . . C- 84
<b>KBS-OP</b> . . . . .	Slide Bush (Euro Standard): Open Type, Anticorrosion . . . . . C- 82
<b>KBS-W</b> . . . . .	Slide Bush (Euro Standard): Double-Wide Type, Anticorrosion . . . . . C- 84
<b>KBSF</b> . . . . .	Slide Bush (Euro Standard): Round Flange Type, Anticorrosion . . . . . C- 86
<b>KBSF-G</b> . . . . .	Slide Bush (Euro Standard): Round Flange Type, Anticorrosion . . . . . C- 86
<b>KBSF-GW</b> . . . . .	Slide Bush (Euro Standard): Round Flange Double-Wide Type, Anticorrosion . . . . . C- 90
<b>KBSF-W</b> . . . . .	Slide Bush (Euro Standard): Round Flange Double-Wide Type, Anticorrosion . . . . . C- 90
<b>KBSFC</b> . . . . .	Slide Bush (Euro Standard): Center Mount Round Flange Type, Anticorrosion . . . . . C- 94
<b>KBSFC-G</b> . . . . .	Slide Bush (Euro Standard): Center Mount Round Flange Type, Anticorrosion . . . . . C- 94
<b>KBSK</b> . . . . .	Slide Bush (Euro Standard): Square Flange Type, Anticorrosion . . . . . C- 88
<b>KBSK-G</b> . . . . .	Slide Bush (Euro Standard): Square Flange Type, Anticorrosion . . . . . C- 88
<b>KBSK-GW</b> . . . . .	Slide Bush (Euro Standard): Square Flange Double-Wide Type, Anticorrosion . . . . . C- 92
<b>KBSK-W</b> . . . . .	Slide Bush (Euro Standard): Square Flange Double-Wide Type, Anticorrosion . . . . . C- 92
<b>KBSKC</b> . . . . .	Slide Bush (Euro Standard): Center Mount Square Flange Type, Anticorrosion . . . . . C- 96
<b>KBSKC-G</b> . . . . .	Slide Bush (Euro Standard): Center Mount Square Flange Type, Anticorrosion . . . . . C- 96
<b>KGf-Grease</b> . . . . .	Anti-fretting/Anticorrosion . . . . . Eng- 41
<b>KGL-Grease</b> . . . . .	Low Dust-generation . . . . . Eng- 39
<b>KGU-Grease</b> . . . . .	Low Dust-generation . . . . . Eng- 39
<b>L</b>	
<b>LP</b> . . . . .	Ball Spline: Lock Plate . . . . . B- 16
<b>LWA</b> . . . . .	Shaft (Inch Standard): Low Shaft Support Rail . . . . . F- 23
<b>N</b>	
<b>NV</b> . . . . .	Slide Way: STUDROLLER System . . . . . G- 10
<b>NVS</b> . . . . .	Slide Way: STUDROLLER System, Anticorrosion . . . . . G- 10
<b>NVS-RNS</b> . . . . .	Slide Way: STUDROLLER System, Special Environment Type, Anticorrosion . . . . . G- 14
<b>NVT</b> . . . . .	Slide Table: STUDROLLER System . . . . . G- 30
<b>NVTS</b> . . . . .	Slide Table: STUDROLLER System, Anticorrosion . . . . . G- 30
<b>NYT</b> . . . . .	Slide Table:STUDROLLER System Compact Type . . . . . G- 34
<b>NYT-D</b> . . . . .	Slide Table:STUDROLLER System Compact Type with Counterbored Rail . . . . . G- 36
<b>NYTS</b> . . . . .	Slide Table:STUDROLLER System Compact Type,Anticorrosion . . . . . G- 34
<b>NYTS-D</b> . . . . .	Slide Table:STUDROLLER System Compact Type with Counterbored Rail,Anticorrosion . . . . . G- 36

**P**

<b>PC</b> . . . . . Shaft: Pre-Cut Slide Shaft . . . . .	F- 38
--	-------

**R**

<b>R</b> . . . . . Slide Way: Roller Cage . . . . .	G- 5
<b>RA</b> . . . . . Slide Way: Aluminum Roller Cage . . . . .	G- 5
<b>RAS</b> . . . . . Slide Way: Aluminum Roller Cage, Anticorrosion . . . . .	G- 5
<b>RBW</b> . . . . . Slide Bush (Inch Standard/Anticorrosion): Resin Block Type . . . . .	C- 146
<b>RK</b> . . . . . Slide Rotary Bush . . . . .	E- 23
<b>RS</b> . . . . . Slide Way: Roller Cage, Anticorrosion . . . . .	G- 5
<b>RV</b> . . . . . Gonio Way . . . . .	G- 68
<b>RVF</b> . . . . . Gonio Way: Flat-installation-surface Type . . . . .	G- 66

**SA**

<b>SA</b> . . . . . Shaft: Shaft Support Rail . . . . .	F- 18
---	-------

**SE**

<b>SEB-A</b> . . . . . Slide Guide: Miniature Type . . . . .	A- 34
<b>SEB-A-N</b> . . . . . Slide Guide: Miniature Type with Tapped Hole Rail . . . . .	A- 34
<b>SEB-AY</b> . . . . . Slide Guide: Miniature Long Type . . . . .	A- 34
<b>SEB-AY-N</b> . . . . . Slide Guide: Miniature Long Type with Tapped Hole Rail . . . . .	A- 34
<b>SEB-WA</b> . . . . . Slide Guide: Miniature Wide Type . . . . .	A- 38
<b>SEB-WA-N</b> . . . . . Slide Guide: Miniature Wide Type with Tapped Hole Rail . . . . .	A- 38
<b>SEB-WAY</b> . . . . . Slide Guide: Miniature Wide and Long Type . . . . .	A- 38
<b>SEB-WAY-N</b> . . . . . Slide Guide: Miniature Wide and Long Type with Tapped Hole Rail . . . . .	A- 38
<b>SEB-WD</b> . . . . . Slide Guide: Miniature Wide Type . . . . .	A- 38
<b>SEB-WD-N</b> . . . . . Slide Guide: Miniature Wide Type with Tapped Hole Rail . . . . .	A- 38
<b>SEBS-A</b> . . . . . Slide Guide: Miniature Type, Anticorrosion . . . . .	A- 34
<b>SEBS-A-N</b> . . . . . Slide Guide: Miniature Type with Tapped Hole Rail, Anticorrosion . . . . .	A- 34
<b>SEBS-AY</b> . . . . . Slide Guide: Miniature Long Type, Anticorrosion . . . . .	A- 34
<b>SEBS-AY-N</b> . . . . . Slide Guide: Miniature Long Type with Tapped Hole Rail, Anticorrosion . . . . .	A- 34
<b>SEBS-B</b> . . . . . Slide Guide (Retained Ball): Miniature Type . . . . .	A- 26
<b>SEBS-B-N</b> . . . . . Slide Guide (Retained Ball): Miniature Type with Tapped Hole Rail . . . . .	A- 26
<b>SEBS-BM</b> . . . . . Slide Guide (Retained Ball): Miniature All Stainless Type . . . . .	A- 26
<b>SEBS-BM-N</b> . . . . . Slide Guide (Retained Ball): Miniature All Stainless Type with Tapped Hole Rail . . . . .	A- 26
<b>SEBS-BS</b> . . . . . Slide Guide (Retained Ball): Miniature Short Type . . . . .	A- 26
<b>SEBS-BS-N</b> . . . . . Slide Guide (Retained Ball): Miniature Short Type with Tapped Hole Rail . . . . .	A- 26
<b>SEBS-BSM</b> . . . . . Slide Guide (Retained Ball): Miniature All Stainless Short Type . . . . .	A- 26
<b>SEBS-BSM-N</b> . . . . . Slide Guide (Retained Ball): Miniature All Stainless Short Type with Tapped Hole Rail . . . . .	A- 26
<b>SEBS-BY</b> . . . . . Slide Guide (Retained Ball): Miniature Long Type . . . . .	A- 26
<b>SEBS-BY-N</b> . . . . . Slide Guide (Retained Ball): Miniature Long Type with Tapped Hole Rail . . . . .	A- 26
<b>SEBS-BYD</b> . . . . . Slide Guide (Retained Ball): Miniature Long Type . . . . .	A- 26
<b>SEBS-BYD-N</b> . . . . . Slide Guide (Retained Ball): Miniature Long Type with Tapped Hole Rail . . . . .	A- 26
<b>SEBS-BYDM</b> . . . . . Slide Guide (Retained Ball): Miniature All Stainless Long Type . . . . .	A- 26
<b>SEBS-BYDM-N</b> . . . . . Slide Guide (Retained Ball): Miniature All Stainless Long Type with Tapped Hole Rail . . . . .	A- 26
<b>SEBS-BYM</b> . . . . . Slide Guide (Retained Ball): Miniature All Stainless Long Type . . . . .	A- 26

<b>SEBS-BYM-N</b> . . . . . Slide Guide (Retained Ball): Miniature All Stainless Long Type with Tapped Hole Rail . . . . .	A- 26
<b>SEBS-WA</b> . . . . . Slide Guide: Miniature Wide Type, Anticorrosion . . . . .	A- 38
<b>SEBS-WA-N</b> . . . . . Slide Guide: Miniature Wide Type with Tapped Hole Rail, Anticorrosion . . . . .	A- 38
<b>SEBS-WAY</b> . . . . . Slide Guide: Miniature Wide and Long Type, Anticorrosion . . . . .	A- 38
<b>SEBS-WAY-N</b> . . . . . Slide Guide: Miniature Wide and Long Type with Tapped Hole Rail, Anticorrosion . . . . .	A- 38
<b>SEBS-WB</b> . . . . . Slide Guide (Retained Ball): Miniature Wide Type . . . . .	A- 30
<b>SEBS-WB-N</b> . . . . . Slide Guide (Retained Ball): Miniature Wide Type with Tapped Hole Rail . . . . .	A- 30
<b>SEBS-WBS</b> . . . . . Slide Guide (Retained Ball): Miniature Wide and Short Type . . . . .	A- 30
<b>SEBS-WBS-N</b> . . . . . Slide Guide (Retained Ball): Miniature Wide and Short Type with Tapped Hole Rail . . . . .	A- 30
<b>SEBS-WBY</b> . . . . . Slide Guide (Retained Ball): Miniature Wide and Long Type . . . . .	A- 30
<b>SEBS-WBY-N</b> . . . . . Slide Guide (Retained Ball): Miniature Wide and Long Type with Tapped Hole Rail, Anticorrosion . . . . .	A- 30
<b>SEBS-WD</b> . . . . . Slide Guide: Miniature Wide Type, Anticorrosion . . . . .	A- 38
<b>SEBS-WD-N</b> . . . . . Slide Guide: Miniature Wide Type with Tapped Hole Rail, Anticorrosion . . . . .	A- 38
<b>SER-A</b> . . . . . Slide Guide (Roller Element): Miniature Type . . . . .	A- 46
<b>SER-A-N</b> . . . . . Slide Guide (Roller Element): Miniature Type with Tapped Hole Rail . . . . .	A- 46
<b>SER-WA</b> . . . . . Slide Guide (Roller Element): Miniature Wide Type . . . . .	A- 48
<b>SER-WA-N</b> . . . . . Slide Guide (Roller Element): Miniature Wide Type with Tapped Hole Rail . . . . .	A- 48
<b>SERS-A</b> . . . . . Slide Guide (Roller Element): Miniature Type, Anticorrosion . . . . .	A- 46
<b>SERS-A-N</b> . . . . . Slide Guide (Roller Element): Miniature Type with Tapped Hole Rail, Anticorrosion . . . . .	A- 46
<b>SERS-WA</b> . . . . . Slide Guide (Roller Element): Miniature Wide Type, Anticorrosion . . . . .	A- 48
<b>SERS-WA-N</b> . . . . . Slide Guide (Roller Element): Miniature Wide Type with Tapped Hole Rail, Anticorrosion . . . . .	A- 48

**SF**

<b>SF</b> . . . . . Shaft: NBCA Shaft . . . . .	F- 28
<b>SFS</b> . . . . . Shaft: NBCA Stainless Steel Shaft . . . . .	F- 29
<b>SFW</b> . . . . . Shaft: NBCA Inch Shaft . . . . .	F- 30
<b>SFW-FS102</b> . . . . . Shaft: Format Single End Tapped Inch Shaft . . . . .	F- 34
<b>SFW-FS103</b> . . . . . Shaft: Format Both End Tapped Inch Shaft . . . . .	F- 35
<b>SFW-FS115</b> . . . . . Shaft: Format Single End Threaded Inch Shaft . . . . .	F- 36
<b>SFW-FS116</b> . . . . . Shaft: Format Both End Threaded Inch Shaft . . . . .	F- 37
<b>SFW-PD</b> . . . . . Shaft: NBCA Inch Pre-Drilled Shaft . . . . .	F- 32
<b>SFWS</b> . . . . . Shaft: NBCA Inch Shaft, Anticorrosion . . . . .	F- 31
<b>SFWS-FS102</b> . . . . . Shaft: Format Single End Tapped Inch Shaft, Anticorrosion . . . . .	F- 34
<b>SFWS-FS103</b> . . . . . Shaft: Format Both End Tapped Inch Shaft, Anticorrosion . . . . .	F- 35
<b>SFWS-PD</b> . . . . . Shaft: NBCA Inch Pre-Drilled Shaft, Anticorrosion . . . . .	F- 33

**SG**

<b>SGL-E</b> . . . . . Slide Guide: High Rigidity Flange Type (Short Configuration) . . . . .	A- 62
<b>SGL-F</b> . . . . . Slide Guide: High Rigidity Non-Flange Type (Short Configuration) . . . . .	A- 54
<b>SGL-HTE</b> . . . . . Slide Guide: High Rigidity Flange Type (Standard Configuration) . . . . .	A- 66
<b>SGL-HTEX</b> . . . . . Slide Guide: High Rigidity Flange Type (Standard Configuration) . . . . .	A- 70
<b>SGL-HTF</b> . . . . . Slide Guide: High Rigidity Non-Flange Type (Standard Configuration) . . . . .	A- 58
<b>SGL-HYE</b> . . . . . Slide Guide: High Rigidity Flange Type (Long Configuration) . . . . .	A- 68
<b>SGL-HYF</b> . . . . . Slide Guide: High Rigidity Non-Flange Type (Long Configuration) . . . . .	A- 60
<b>SGL-TE</b> . . . . . Slide Guide: High Rigidity Flange Type (Standard Configuration) . . . . .	A- 64

<b>SGL-TF</b> . . . . .	Slide Guide: High Rigidity Non-Flange Type (Standard Configuration) . . . . .	A- 56
<b>SGLS-F</b> . . . . .	Slide Guide: High Rigidity Non-Flange Type (Short Configuration),Anticorrosion . . . . .	A- 54
<b>SGLS-TF</b> . . . . .	Slide Guide: High Rigidity Non-Flange Type (Standard Configuration),Anticorrosion . . . . .	A- 56
<b>SGW-TE</b> . . . . .	Slide Guide: High Rigidity Wide Flange Type . . . . .	A- 78
<b>SGW-TF</b> . . . . .	Slide Guide: High Rigidity Wide Non-Flange Type . . . . .	A- 76

**SH**

<b>SH</b> . . . . .	Shaft: Shaft Supporter . . . . .	F- 16
<b>SH-A</b> . . . . .	Shaft: Aluminum Shaft Supporter . . . . .	F- 15
<b>SHF</b> . . . . .	Shaft: Shaft Supporter Flange Type . . . . .	F- 17
<b>SHF-FC</b> . . . . .	Shaft: Shaft Supporter Flange Type Cast Iron . . . . .	F- 17

**SM**

<b>SM</b> . . . . .	Slide Bush: Standard Type . . . . .	C- 14
<b>SM-AJ</b> . . . . .	Slide Bush: Clearance Adjustable Type . . . . .	C- 16
<b>SM-G</b> . . . . .	Slide Bush: Standard Type . . . . .	C- 14
<b>SM-G-L</b> . . . . .	Slide Bush: Long Type . . . . .	C- 20
<b>SM-G-AJ</b> . . . . .	Slide Bush: Clearance Adjustable Type . . . . .	C- 16
<b>SM-G-OP</b> . . . . .	Slide Bush: Open Type . . . . .	C- 18
<b>SM-GW</b> . . . . .	Slide Bush: Double-Wide Type . . . . .	C- 22
<b>SM-OP</b> . . . . .	Slide Bush: Open Type . . . . .	C- 18
<b>SM-W</b> . . . . .	Slide Bush: Double-Wide Type . . . . .	C- 22
<b>SMA</b> . . . . .	Slide Bush: Block Type . . . . .	C- 118
<b>SMA-G</b> . . . . .	Slide Bush: Block Type . . . . .	C- 118
<b>SMA-GW</b> . . . . .	Slide Bush: Double-Wide Block Type . . . . .	C- 120
<b>SMA-R</b> . . . . .	Slide Rotary Bush: Block Type . . . . .	E- 16
<b>SMA-RW</b> . . . . .	Slide Rotary Bush: Double-Wide Block Type . . . . .	E- 17
<b>SMA-W</b> . . . . .	Slide Bush: Double-Wide Block Type . . . . .	C- 120
<b>SMD</b> . . . . .	Slide Bush: Clearance Adjustable Open Block Type . . . . .	C- 134
<b>SMD-G</b> . . . . .	Slide Bush: Clearance Adjustable Open Block Type . . . . .	C- 134
<b>SME</b> . . . . .	Slide Bush: Open Block Type . . . . .	C- 130
<b>SME-G</b> . . . . .	Slide Bush: Open Block Type . . . . .	C- 130
<b>SME-GW</b> . . . . .	Slide Bush: Double-Wide Open Block Type . . . . .	C- 132
<b>SME-W</b> . . . . .	Slide Bush: Double-Wide Open Block Type . . . . .	C- 132
<b>SMF</b> . . . . .	Slide Bush: Round Flange Type . . . . .	C- 24
<b>SMF-E</b> . . . . .	Slide Bush: Round Flange Pilot End Type . . . . .	C- 30
<b>SMF-G</b> . . . . .	Slide Bush: Round Flange Type . . . . .	C- 24
<b>SMF-G-E</b> . . . . .	Slide Bush: Round Flange Pilot End Type . . . . .	C- 30
<b>SMF-GW</b> . . . . .	Slide Bush: Round Flange Double-Wide Type . . . . .	C- 38
<b>SMF-GW-E</b> . . . . .	Slide Bush: Round Flange Double-Wide Pilot End Type . . . . .	C- 50
<b>SMF-W</b> . . . . .	Slide Bush: Round Flange Double-Wide Type . . . . .	C- 38
<b>SMF-W-E</b> . . . . .	Slide Bush: Round Flange Double-Wide Pilot End Type . . . . .	C- 50
<b>SMFC</b> . . . . .	Slide Bush: Center Mount Round Flange Type . . . . .	C- 44
<b>SMFC-G</b> . . . . .	Slide Bush: Center Mount Round Flange Type . . . . .	C- 44
<b>SMJ</b> . . . . .	Slide Bush: Clearance Adjustable Block Type . . . . .	C- 128

<b>SMJ-G</b> . . . . .	Slide Bush: Clearance Adjustable Block Type . . . . .	C- 128
<b>SMK</b> . . . . .	Slide Bush: Square Flange Type . . . . .	C- 26
<b>SMK-E</b> . . . . .	Slide Bush: Square Flange Pilot End Type . . . . .	C- 32
<b>SMK-G</b> . . . . .	Slide Bush: Square Flange Type . . . . .	C- 26
<b>SMK-G-E</b> . . . . .	Slide Bush: Square Flange Pilot End Type . . . . .	C- 32
<b>SMK-G-L</b> . . . . .	Slide Bush: Square Flange Long Type . . . . .	C- 36
<b>SMK-GW</b> . . . . .	Slide Bush: Square Flange Double-Wide Type . . . . .	C- 40
<b>SMK-GW-E</b> . . . . .	Slide Bush: Square Flange Double-Wide Pilot End Type . . . . .	C- 52
<b>SMK-W</b> . . . . .	Slide Bush: Square Flange Double-Wide Type . . . . .	C- 40
<b>SMK-W-E</b> . . . . .	Slide Bush: Square Flange Double-Wide Pilot End Type . . . . .	C- 52
<b>SMKC</b> . . . . .	Slide Bush: Center Mount Square Flange Type . . . . .	C- 46
<b>SMKC-G</b> . . . . .	Slide Bush: Center Mount Square Flange Type . . . . .	C- 46
<b>SMP</b> . . . . .	Slide Bush: Pillow Block Type . . . . .	C- 126
<b>SMP-G</b> . . . . .	Slide Bush: Pillow Block Type . . . . .	C- 126
<b>SMP-R</b> . . . . .	Slide Rotary Bush: Pillow Block Type . . . . .	E- 20
<b>SMS</b> . . . . .	Slide Bush: Standard Type, Anticorrosion . . . . .	C- 14
<b>SMS-AJ</b> . . . . .	Slide Bush: Clearance Adjustable Type, Anticorrosion . . . . .	C- 16
<b>SMS-G</b> . . . . .	Slide Bush: Standard Type, Anticorrosion . . . . .	C- 14
<b>SMS-G-AJ</b> . . . . .	Slide Bush: Clearance Adjustable Type, Anticorrosion . . . . .	C- 16
<b>SMS-G-OP</b> . . . . .	Slide Bush: Open Type, Anticorrosion . . . . .	C- 18
<b>SMS-GW</b> . . . . .	Slide Bush: Double-Wide Type, Anticorrosion . . . . .	C- 22
<b>SMS-OP</b> . . . . .	Slide Bush: Open Type, Anticorrosion . . . . .	C- 18
<b>SMS-W</b> . . . . .	Slide Bush: Double-Wide Type, Anticorrosion . . . . .	C- 22
<b>SMSA</b> . . . . .	Slide Bush: Block Type, Anticorrosion . . . . .	C- 118
<b>SMSA-G</b> . . . . .	Slide Bush: Block Type, Anticorrosion . . . . .	C- 118
<b>SMSA-GW</b> . . . . .	Slide Bush: Double-Wide Block Type, Anticorrosion . . . . .	C- 120
<b>SMSA-W</b> . . . . .	Slide Bush: Double-Wide Block Type, Anticorrosion . . . . .	C- 120
<b>SMSD</b> . . . . .	Slide Bush: Clearance Adjustable Open Block Type, Anticorrosion . . . . .	C- 134
<b>SMSD-G</b> . . . . .	Slide Bush: Clearance Adjustable Open Block Type, Anticorrosion . . . . .	C- 134
<b>SMSE</b> . . . . .	Slide Bush: Open Block Type, Anticorrosion . . . . .	C- 130
<b>SMSE-G</b> . . . . .	Slide Bush: Open Block Type, Anticorrosion . . . . .	C- 130
<b>SMSE-GW</b> . . . . .	Slide Bush: Double-Wide Open Block Type, Anticorrosion . . . . .	C- 132
<b>SMSE-W</b> . . . . .	Slide Bush: Double-Wide Open Block Type, Anticorrosion . . . . .	C- 132
<b>SMSF</b> . . . . .	Slide Bush: Round Flange Type, Anticorrosion . . . . .	C- 24
<b>SMSF-E</b> . . . . .	Slide Bush: Round Flange Pilot End Type, Anticorrosion . . . . .	C- 30
<b>SMSF-G</b> . . . . .	Slide Bush: Round Flange Type, Anticorrosion . . . . .	C- 24
<b>SMSF-G-E</b> . . . . .	Slide Bush: Round Flange Pilot End Type, Anticorrosion . . . . .	C- 30
<b>SMSF-GW</b> . . . . .	Slide Bush: Round Flange Double-Wide Type, Anticorrosion . . . . .	C- 38
<b>SMSF-GW-E</b> . . . . .	Slide Bush: Round Flange Double-Wide Pilot End Type, Anticorrosion . . . . .	C- 50
<b>SMSF-W</b> . . . . .	Slide Bush: Round Flange Double-Wide Type, Anticorrosion . . . . .	C- 38
<b>SMSF-W-E</b> . . . . .	Slide Bush: Round Flange Double-Wide Pilot End Type, Anticorrosion . . . . .	C- 50
<b>SMSFC</b> . . . . .	Slide Bush: Center Mount Round Flange Type, Anticorrosion . . . . .	C- 44
<b>SMSFC-G</b> . . . . .	Slide Bush: Center Mount Round Flange Type, Anticorrosion . . . . .	C- 44

<b>SMSJ</b> . . . . .	Slide Bush: Clearance Adjustable Block Type, Anticorrosion . . . . .	C- 130
<b>SMSJ-G</b> . . . . .	Slide Bush: Clearance Adjustable Block Type, Anticorrosion . . . . .	C- 130
<b>SMSK</b> . . . . .	Slide Bush: Square Flange Type, Anticorrosion . . . . .	C- 26
<b>SMSK-E</b> . . . . .	Slide Bush: Square Flange Pilot End Type, Anticorrosion . . . . .	C- 32
<b>SMSK-G</b> . . . . .	Slide Bush: Square Flange Type, Anticorrosion . . . . .	C- 26
<b>SMSK-G-E</b> . . . . .	Slide Bush: Square Flange Pilot End Type, Anticorrosion . . . . .	C- 32
<b>SMSK-GW</b> . . . . .	Slide Bush: Square Flange Double-Wide Type, Anticorrosion . . . . .	C- 40
<b>SMSK-GW-E</b> . . . . .	Slide Bush: Square Flange Double-Wide Pilot End Type, Anticorrosion . . . . .	C- 52
<b>SMSK-W</b> . . . . .	Slide Bush: Square Flange Double-Wide Type, Anticorrosion . . . . .	C- 40
<b>SMSK-W-E</b> . . . . .	Slide Bush: Square Flange Double-Wide Pilot End Type, Anticorrosion . . . . .	C- 52
<b>SMSKC</b> . . . . .	Slide Bush: Center Mount Square Flange Type, Anticorrosion . . . . .	C- 46
<b>SMSKC-G</b> . . . . .	Slide Bush: Center Mount Square Flange Type, Anticorrosion . . . . .	C- 46
<b>SMST</b> . . . . .	Slide Bush: Two Side Cut Flange Type, Anticorrosion . . . . .	C- 28
<b>SMST-E</b> . . . . .	Slide Bush: Two Side Cut Pilot End Flange Type, Anticorrosion . . . . .	C- 34
<b>SMST-G</b> . . . . .	Slide Bush: Two Side Cut Flange Type, Anticorrosion . . . . .	C- 28
<b>SMST-G-E</b> . . . . .	Slide Bush: Two Side Cut Pilot End Flange Type, Anticorrosion . . . . .	C- 34
<b>SMST-GW</b> . . . . .	Slide Bush: Two Side Cut Double-Wide Flange Type, Anticorrosion . . . . .	C- 42
<b>SMST-GW-E</b> . . . . .	Slide Bush: Two Side Cut Double-Wide Flange Pilot End Type, Anticorrosion . . . . .	C- 54
<b>SMST-W</b> . . . . .	Slide Bush: Two Side Cut Double-Wide Flange Type, Anticorrosion . . . . .	C- 42
<b>SMST-W-E</b> . . . . .	Slide Bush: Two Side Cut Double-Wide Flange Pilot End Type, Anticorrosion . . . . .	C- 54
<b>SMSTC</b> . . . . .	Slide Bush: Two Side Cut Center Flange Type, Anticorrosion . . . . .	C- 48
<b>SMSTC-G</b> . . . . .	Slide Bush: Two Side Cut Center Flange Type, Anticorrosion . . . . .	C- 48
<b>SMT</b> . . . . .	Slide Bush: Two Side Cut Flange Type . . . . .	C- 28
<b>SMT-E</b> . . . . .	Slide Bush: Two Side Cut Pilot End Flange Type . . . . .	C- 34
<b>SMT-G</b> . . . . .	Slide Bush: Two Side Cut Flange Type . . . . .	C- 28
<b>SMT-G-E</b> . . . . .	Slide Bush: Two Side Cut Pilot End Flange Type . . . . .	C- 34
<b>SMT-GW</b> . . . . .	Slide Bush: Two Side Cut Double-Wide Flange Type . . . . .	C- 42
<b>SMT-GW-E</b> . . . . .	Slide Bush: Two Side Cut Double-Wide Flange Pilot End Type . . . . .	C- 54
<b>SMT-W</b> . . . . .	Slide Bush: Two Side Cut Double-Wide Flange Type . . . . .	C- 42
<b>SMT-W-E</b> . . . . .	Slide Bush: Two Side Cut Double-Wide Flange Pilot End Type . . . . .	C- 54
<b>SMTC</b> . . . . .	Slide Bush: Two Side Cut Center Flange Type . . . . .	C- 48
<b>SMTC-G</b> . . . . .	Slide Bush: Two Side Cut Center Flange Type . . . . .	C- 48

**SN**

<b>SN</b> . . . . .	Shaft: NB Shaft . . . . .	F- 6
<b>SNB</b> . . . . .	Shaft: NB Center-lined Tapped Shaft . . . . .	F- 9
<b>SNS</b> . . . . .	Shaft: NB Shaft, Anticorrosion . . . . .	F- 7
<b>SNSB</b> . . . . .	Shaft: NB Center-lined Tapped Shaft, Anticorrosion . . . . .	F- 9
<b>SNT</b> . . . . .	Shaft: NB Pipe Shaft . . . . .	F- 8
<b>SNW</b> . . . . .	Shaft: Inch Size Shaft . . . . .	F- 10
<b>SNWS</b> . . . . .	Shaft: Inch Size Shaft, Anticorrosion . . . . .	F- 11
<b>SNW-PD</b> . . . . .	Shaft: Inch Size Pre-Drilled Shaft . . . . .	F- 12
<b>SNWS-PD</b> . . . . .	Shaft: Inch Size Pre-Drilled Shaft, Anticorrosion . . . . .	F- 13

**SP**

<b>SPB</b> . . . . .	Rotary Ball Spline . . . . .	B- 44
<b>SPB-KP</b> . . . . .	Rotary Ball Spline, Compact Type . . . . .	B- 42
<b>SPBF</b> . . . . .	Ball Screw Spline . . . . .	B- 58
<b>SPBR</b> . . . . .	Ball Screw Spline . . . . .	B- 56
<b>SPLFS</b> . . . . .	Stroke Ball Spline . . . . .	B- 50
<b>SPR</b> . . . . .	Rotary Ball Spline . . . . .	B- 40

**SR**

<b>SR</b> . . . . .	Stroke Bush: Standard . . . . .	E- 4
<b>SR-B</b> . . . . .	Stroke Bush: Double Retainer Type . . . . .	E- 6
<b>SR-BUU</b> . . . . .	Stroke Bush: Double Retainer Type with Seals . . . . .	E- 7
<b>SR-UU</b> . . . . .	Stroke Bush: Standard with Seals . . . . .	E- 5
<b>SRE</b> . . . . .	Slide Rotary Bush . . . . .	E- 12
<b>SREK</b> . . . . .	Slide Rotary Bush: Square Flange Type . . . . .	E- 14

**SS**

<b>SS</b> . . . . .	Slide Screw . . . . .	I- 7
<b>SSP</b> . . . . .	Ball Spline: Cylindrical Type . . . . .	B- 18
<b>SSP-AM</b> . . . . .	Ball Spline: Compact Cylindrical Type . . . . .	B- 20
<b>SSP-AM-S</b> . . . . .	Ball Spline: Standard Spline Assembly with SSP-AM nut . . . . .	B- 30
<b>SSP-C</b> . . . . .	Ball Spline: Commercial Spline Assembly with SSP nut . . . . .	B- 31
<b>SSP-S</b> . . . . .	Ball Spline: Standard Spline Assembly with SSP nut . . . . .	B- 30
<b>SSPF</b> . . . . .	Ball Spline: Round Flange Type . . . . .	B- 24
<b>SSPFS</b> . . . . .	Ball Spline: Round Flange Type, Anticorrosion . . . . .	B- 24
<b>SSPF-C</b> . . . . .	Ball Spline: Commercial Spline Assembly with SSPF nut . . . . .	B- 31
<b>SSPF-S</b> . . . . .	Ball Spline: Standard Spline Assembly with SSPF nut . . . . .	B- 30
<b>SSPM</b> . . . . .	Ball Spline: Cylindrical Keyless Type . . . . .	B- 22
<b>SSPK-AM</b> . . . . .	Ball Spline: Light and Compact Flange Type . . . . .	B- 28
<b>SSPKS-AM</b> . . . . .	Ball Spline: Light and Compact Flange Type Anticorrosion . . . . .	B- 28
<b>SSPM-S</b> . . . . .	Ball Spline: Standard Spline Assembly with SSPM nut . . . . .	B- 30
<b>SSPS</b> . . . . .	Ball Spline: Cylindrical Type, Anticorrosion . . . . .	B- 18
<b>SSPS-AM</b> . . . . .	Ball Spline: Compact Cylindrical Type, Anticorrosion . . . . .	B- 20
<b>SSPS-AM-S</b> . . . . .	Ball Spline: Standard Spline Assembly with SSP-AM nut, Anticorrosion . . . . .	B- 30
<b>SSPT</b> . . . . .	Ball Spline: Two Side Cut Flange Type . . . . .	B- 26
<b>SSPT-AM</b> . . . . .	Ball Spline: Compact Two Side Cut Flange Type . . . . .	B- 28
<b>SSPT-S</b> . . . . .	Ball Spline: Standard Spline Assembly with SSPT nut . . . . .	B- 30
<b>SSPTS-AM</b> . . . . .	Ball Spline: Compact Two Side Cut Flange Type, Anticorrosion . . . . .	B- 28

**SV**

<b>SV</b> . . . . .	Slide Way . . . . .	G- 16
<b>SVS</b> . . . . .	Slide Way: Anticorrosion . . . . .	G- 16
<b>SVT</b> . . . . .	Slide Table . . . . .	G- 38
<b>SVTS</b> . . . . .	Slide Table: Anticorrosion . . . . .	G- 38
<b>SVW</b> . . . . .	Slide Way: Center Rail Type . . . . .	G- 24
<b>SVWS</b> . . . . .	Slide Way: Center Rail Type, Anticorrosion . . . . .	G- 24

## SW

<b>SW</b> . . . . .	Slide Bush (Inch Standard): Standard Type . . . . .	C- 98
<b>SW-AJ</b> . . . . .	Slide Bush (Inch Standard): Clearance Adjustable Type . . . . .	C-100
<b>SW-G</b> . . . . .	Slide Bush (Inch Standard): Standard Type . . . . .	C- 98
<b>SW-G-AJ</b> . . . . .	Slide Bush (Inch Standard): Clearance Adjustable Type . . . . .	C-100
<b>SW-G-OP</b> . . . . .	Slide Bush (Inch Standard): Open Type . . . . .	C-102
<b>SW-GR</b> . . . . .	Slide Bush (Inch Standard): Self-Aligning Type . . . . .	C- 98
<b>SW-GR-AJ</b> . . . . .	Slide Bush (Inch Standard): Self-Aligning, Clearance Adjustable Type . . . . .	C-100
<b>SW-GR-OP</b> . . . . .	Slide Bush (Inch Standard): Self-Aligning, Open Type . . . . .	C-102
<b>SW-GW</b> . . . . .	Slide Bush (Inch Standard): Double-Wide Type . . . . .	C-104
<b>SW-OP</b> . . . . .	Slide Bush (Inch Standard): Open Type . . . . .	C-102
<b>SW-W</b> . . . . .	Slide Bush (Inch Standard): Double-Wide Type . . . . .	C-104
<b>SWA</b> . . . . .	Slide Bush (Inch Standard): Block Type . . . . .	C-140
<b>SWA-G</b> . . . . .	Slide Bush (Inch Standard): Block Type . . . . .	C-140
<b>SWA-GR</b> . . . . .	Slide Bush (Inch Standard): Self-Aligning, Block Type . . . . .	C-140
<b>SWD</b> . . . . .	Slide Bush (Inch Standard): Clearance Adjustable Open Block Type . . . . .	C-144
<b>SWD-G</b> . . . . .	Slide Bush (Inch Standard): Clearance Adjustable Open Block Type . . . . .	C-144
<b>SWD-GR</b> . . . . .	Slide Bush (Inch Standard): Self-Aligning Clearance Adjustable Open Block Type . . . . .	C-144
<b>SWJ</b> . . . . .	Slide Bush (Inch Standard): Clearance Adjustable Block Type . . . . .	C-142
<b>SWJ-G</b> . . . . .	Slide Bush (Inch Standard): Clearance Adjustable Block Type . . . . .	C-142
<b>SWJ-GR</b> . . . . .	Slide Bush (Inch Standard): Self-Aligning Clearance Adjustable Block Type . . . . .	C-142
<b>SWF</b> . . . . .	Slide Bush (Inch Standard): Round Flange Type . . . . .	C-106
<b>SWF-G</b> . . . . .	Slide Bush (Inch Standard): Round Flange Type . . . . .	C-106
<b>SWF-GW</b> . . . . .	Slide Bush (Inch Standard): Round Flange Double-Wide Type . . . . .	C-110
<b>SWF-W</b> . . . . .	Slide Bush (Inch Standard): Round Flange Double-Wide Type . . . . .	C-110
<b>SWK</b> . . . . .	Slide Bush (Inch Standard): Square Flange Type . . . . .	C-108
<b>SWK-G</b> . . . . .	Slide Bush (Inch Standard): Square Flange Type . . . . .	C-108
<b>SWK-GW</b> . . . . .	Slide Bush (Inch Standard): Square Flange Double-Wide Type . . . . .	C-112
<b>SWK-W</b> . . . . .	Slide Bush (Inch Standard): Square Flange Double-Wide Type . . . . .	C-112
<b>SWS</b> . . . . .	Slide Bush (Inch Standard): Standard Type, Anticorrosion . . . . .	C- 98
<b>SWS-AJ</b> . . . . .	Slide Bush (Inch Standard): Clearance Adjustable Type, Anticorrosion . . . . .	C-100
<b>SWS-G</b> . . . . .	Slide Bush (Inch Standard): Standard Type, Anticorrosion . . . . .	C- 98
<b>SWS-G-AJ</b> . . . . .	Slide Bush (Inch Standard): Clearance Adjustable Type, Anticorrosion . . . . .	C-100
<b>SWS-G-OP</b> . . . . .	Slide Bush (Inch Standard): Open Type, Anticorrosion . . . . .	C-102
<b>SWS-GW</b> . . . . .	Slide Bush (Inch Standard): Double-Wide Type, Anticorrosion . . . . .	C-104
<b>SWS-OP</b> . . . . .	Slide Bush (Inch Standard): Open Type, Anticorrosion . . . . .	C-102
<b>SWS-W</b> . . . . .	Slide Bush (Inch Standard): Double-Wide Type, Anticorrosion . . . . .	C-104
<b>SWSA</b> . . . . .	Slide Bush (Inch Standard): Block Type, Anticorrosion . . . . .	C-140
<b>SWSA-G</b> . . . . .	Slide Bush (Inch Standard): Block Type, Anticorrosion . . . . .	C-140
<b>SWSD</b> . . . . .	Slide Bush (Inch Standard): Clearance Adjustable Open Block Type, Anticorrosion . . . . .	C-144
<b>SWSD-G</b> . . . . .	Slide Bush (Inch Standard): Clearance Adjustable Open Block Type, Anticorrosion . . . . .	C-144
<b>SWSF</b> . . . . .	Slide Bush (Inch Standard): Round Flange Type, Anticorrosion . . . . .	C-106
<b>SWSF-G</b> . . . . .	Slide Bush (Inch Standard): Round Flange Type, Anticorrosion . . . . .	C-106

<b>SWSF-GW</b> . . . . .	Slide Bush (Inch Standard): Round Flange Double-Wide Type, Anticorrosion . . . . .	C- 110
<b>SWSF-W</b> . . . . .	Slide Bush (Inch Standard): Round Flange Double-Wide Type, Anticorrosion . . . . .	C- 110
<b>SWSJ</b> . . . . .	Slide Bush (Inch Standard): Clearance Adjustable Block Type, Anticorrosion . . . . .	C-142
<b>SWSJ-G</b> . . . . .	Slide Bush (Inch Standard): Clearance Adjustable Block Type, Anticorrosion . . . . .	C-142
<b>SWSK</b> . . . . .	Slide Bush (Inch Standard): Square Flange Type, Anticorrosion . . . . .	C-108
<b>SWSK-G</b> . . . . .	Slide Bush (Inch Standard): Square Flange Type, Anticorrosion . . . . .	C-108
<b>SWSK-GW</b> . . . . .	Slide Bush (Inch Standard): Square Flange Double-Wide Type, Anticorrosion . . . . .	C-112
<b>SWSK-W</b> . . . . .	Slide Bush (Inch Standard): Square Flange Double-Wide Type, Anticorrosion . . . . .	C-112

## SY

<b>SYBS</b> . . . . .	Miniature Slide: Ultra Compact Type . . . . .	G- 56
<b>SYT</b> . . . . .	Slide Table: Compact Type . . . . .	G- 44
<b>SYT-D</b> . . . . .	Slide Table: Compact Type with Counterbored Rail . . . . .	G- 48
<b>SYTS</b> . . . . .	Slide Table: Compact Type, Anticorrosion . . . . .	G- 44
<b>SYTS-D</b> . . . . .	Slide Table: Compact Type with Counterbored Rail, Anticorrosion . . . . .	G- 48

## TK

<b>TK</b> . . . . .	TOPBALL Slide Bush (Euro Standard): Standard Type . . . . .	D- 8
<b>TK-OP</b> . . . . .	TOPBALL Slide Bush (Euro Standard): Open Type . . . . .	D- 8
<b>TKA</b> . . . . .	Slide Bush using TOPBALL (Euro Standard): Block Type . . . . .	D- 12
<b>TKA-W</b> . . . . .	Slide Bush using TOPBALL (Euro Standard): Double-Wide Block Type . . . . .	D- 13
<b>TKD</b> . . . . .	Slide Bush using TOPBALL (Euro Standard): Clearance Adjustable Open Block Type . . . . .	D- 16
<b>TKD-W</b> . . . . .	Slide Bush using TOPBALL (Euro Standard): Clearance Adjustable Double-Wide Open Block Type . . . . .	D- 17
<b>TKE</b> . . . . .	Slide Bush using TOPBALL (Euro Standard): Open Block Type . . . . .	D- 14
<b>TKE-W</b> . . . . .	Slide Bush using TOPBALL (Euro Standard): Double-Wide Open Block Type . . . . .	D- 15

## TM

<b>TMA</b> . . . . .	Slide Bush using TOPBALL, Block Type . . . . .	D- 19
<b>TMF</b> . . . . .	Slide Bush using TOPBALL, Round Flange Type . . . . .	D- 18

## TQ

<b>TQF-E</b> . . . . .	Slide Bush with grease fitting : Round Flange with Pilot End Type . . . . .	C- 70
<b>TQF-W-E</b> . . . . .	Slide Bush with grease fitting : Round Flange Double-Wide with Pilot End Type . . . . .	C- 74
<b>TQK-E</b> . . . . .	Slide Bush with grease fitting : Square Flange with Pilot End Type . . . . .	C- 72
<b>TQK-W-E</b> . . . . .	Slide Bush with grease fitting : Square Flange Double-Wide with Pilot End Type . . . . .	C- 76

## TR

<b>TRF</b> . . . . .	Slide Bush: Triple-Wide Round Flange Type . . . . .	C- 56
<b>TRF-E</b> . . . . .	Slide Bush: Triple-Wide Round Flange Pilot End Type . . . . .	C- 66
<b>TRF-G</b> . . . . .	Slide Bush: Triple-Wide Round Flange Type . . . . .	C- 56
<b>TRF-G-E</b> . . . . .	Slide Bush: Triple-Wide Round Flange Pilot End Type . . . . .	C- 66
<b>TRFC</b> . . . . .	Slide Bush: Triple-Wide Intermediate Position Round Flange Type . . . . .	C- 62
<b>TRFC-G</b> . . . . .	Slide Bush: Triple-Wide Intermediate Position Round Flange Type . . . . .	C- 62
<b>TRK</b> . . . . .	Slide Bush: Triple-Wide Square Flange Type . . . . .	C- 58
<b>TRK-E</b> . . . . .	Slide Bush: Triple-Wide Square Flange Pilot End Type . . . . .	C- 68
<b>TRK-G</b> . . . . .	Slide Bush: Triple-Wide Square Flange Type . . . . .	C- 58
<b>TRK-G-E</b> . . . . .	Slide Bush: Triple-Wide Square Flange Pilot End Type . . . . .	C- 68
<b>TRKC</b> . . . . .	Slide Bush: Triple-Wide Intermediate Position Square Flange Type . . . . .	C- 64



**TRKC-G** . . . . . Slide Bush: Triple-Wide Intermediate Position Square Flange Type . . . . . C- 64  
**TRT** . . . . . Slide Bush: Triple-Wide Two Side Cut Flange Type . . . . . C- 60

**TU**

**TU1** . . . . . Grease Dispenser . . . . . Eng- 42

**TW**

**TW** . . . . . TOPBALL Slide Bush (Inch Standard): Standard Type . . . . . D- 10  
**TW-OP** . . . . . TOPBALL Slide Bush (Inch Standard): Open Type . . . . . D- 10  
**TWA** . . . . . Slide Bush using TOPBALL (Inch Standard): Block Type . . . . . D- 20  
**TWA-W** . . . . . Slide Bush using TOPBALL (Inch Standard): Double-Wide Block Type . . . D- 21  
**TWD** . . . . . Slide Bush using TOPBALL (Inch Standard): Clearance Adjustable Open Block Type . . D- 24  
**TWD-W** . . . . . Slide Bush using TOPBALL (Inch Standard): Clearance Adjustable Double-Wide Open Block Type . . D- 25  
**TWJ** . . . . . Slide Bush using TOPBALL (Inch Standard): Clearance Adjustable Block Type . . D- 22  
**TWJ-W** . . . . . Slide Bush using TOPBALL (Inch Standard): Clearance Adjustable Double-Wide Block Type . . D- 23

**W**

**WA** . . . . . Shaft (Inch Standard): Shaft Support Rail . . . . . F- 22  
**WH-A** . . . . . Shaft (Inch Standard): Alminum Shaft Supporter . . . . . F- 20  
**WSS** . . . . . Shaft (Inch Standard): Shaft Support Assembly . . . . . F- 24  
**WSS-SS** . . . . . Shaft (Inch Standard): Shaft Support Assembly, Anticorrosion . . . . . F- 25



## NIPPON BEARING CO.,LTD.

2833 Chiya, Ojija-city, Niigata-pref., 947-8503 JAPAN  
Phone:+81 (0) 258-82-0011 FAX:+81 (0) 258-81-1135  
Overseas direct call:+81 (0) 258-82-5709  
<http://www.nb-linear.co.jp>

## NB CORPORATION OF AMERICA

930 Muirfield Drive, Hanover Park, IL 60133, U.S.A.  
Phone: (630) 295-8880 FAX: (630) 295-8881  
TOLL FREE: (800) 521-2045

### Western Regional Office

46750 Lakeview Blvd. Fremont, CA 94538  
Phone: (510) 490-1420 FAX: (510) 490-1733  
TOLL FREE: (888) 562-4175

### Eastern Regional Office

500 N. Franklin Turnpike, Suite 103, Ramsey, NJ 07446, U.S.A.  
Phone: (201) 236-3886 FAX: (201) 236-5112  
TOLL FREE: (800) 981-8190

<http://www.nbcorporation.com>  
[info@nbcorporation.com](mailto:info@nbcorporation.com)

## NB EUROPE B.V.

Boekweitstraat 21, 2153 GK Nieuw-Vennep, The Netherlands  
Phone:+31 (0) 252-463-200 FAX:+31 (0) 252-463-209  
<http://www.nbeurope.com>  
[info@nbeurope.com](mailto:info@nbeurope.com)

## NB CHINA CO.,LTD.

Room 108, Building 2, Randong Commercial Center No.150,  
Lane 2161 Wanyuan Road, Minhang District, Shanghai 201103,  
P.R. China  
Phone:+86-21-5228-6811 FAX:+86-21-5228-6810  
<http://www.nb-linear.co.jp/chinese/index.html>  
[info@nb-china.com.cn](mailto:info@nb-china.com.cn)

## NIPPON BEARING MALAYSIA SDN. BHD.

No.27, Jalan PJS 11/14, Bandar Sunway, 46150 Petaling Jaya,  
Selangor Darul Ehsan, Malaysia

No.175E

First Edition: April 1, 2016

※ Specifications are subject to change without notice.

©NIPPON BEARING CO.,LTD. All rights reserved.  
Reproduction Prohibited. Printed in Japan